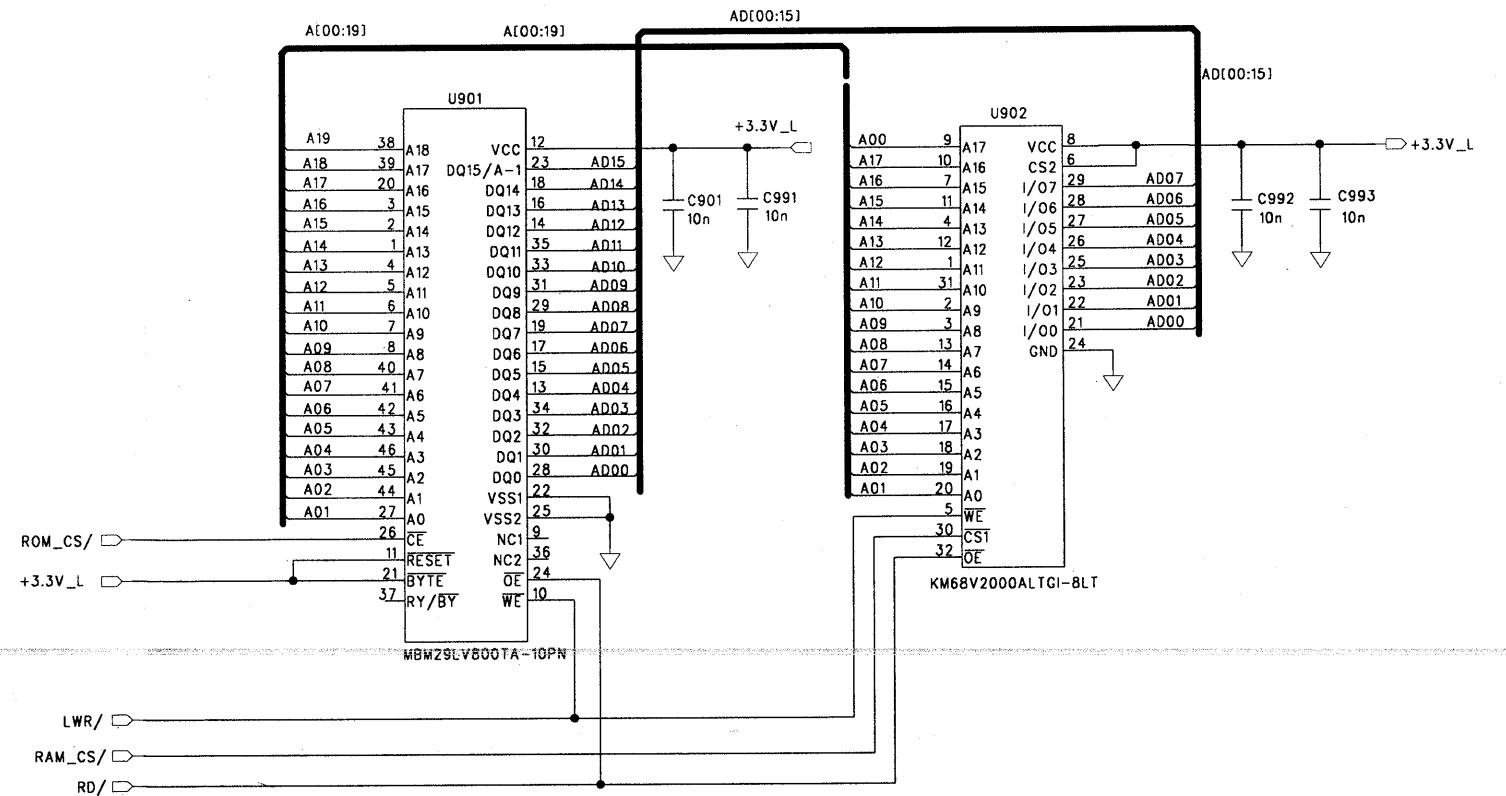
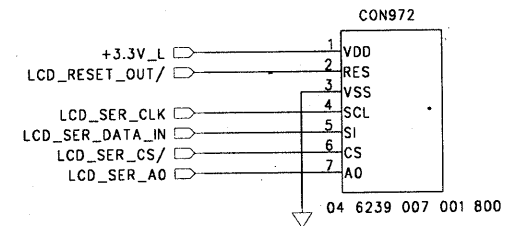
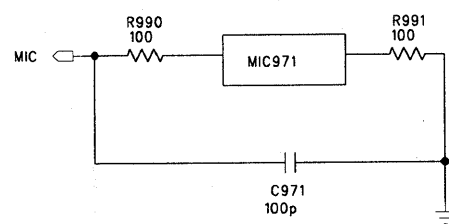
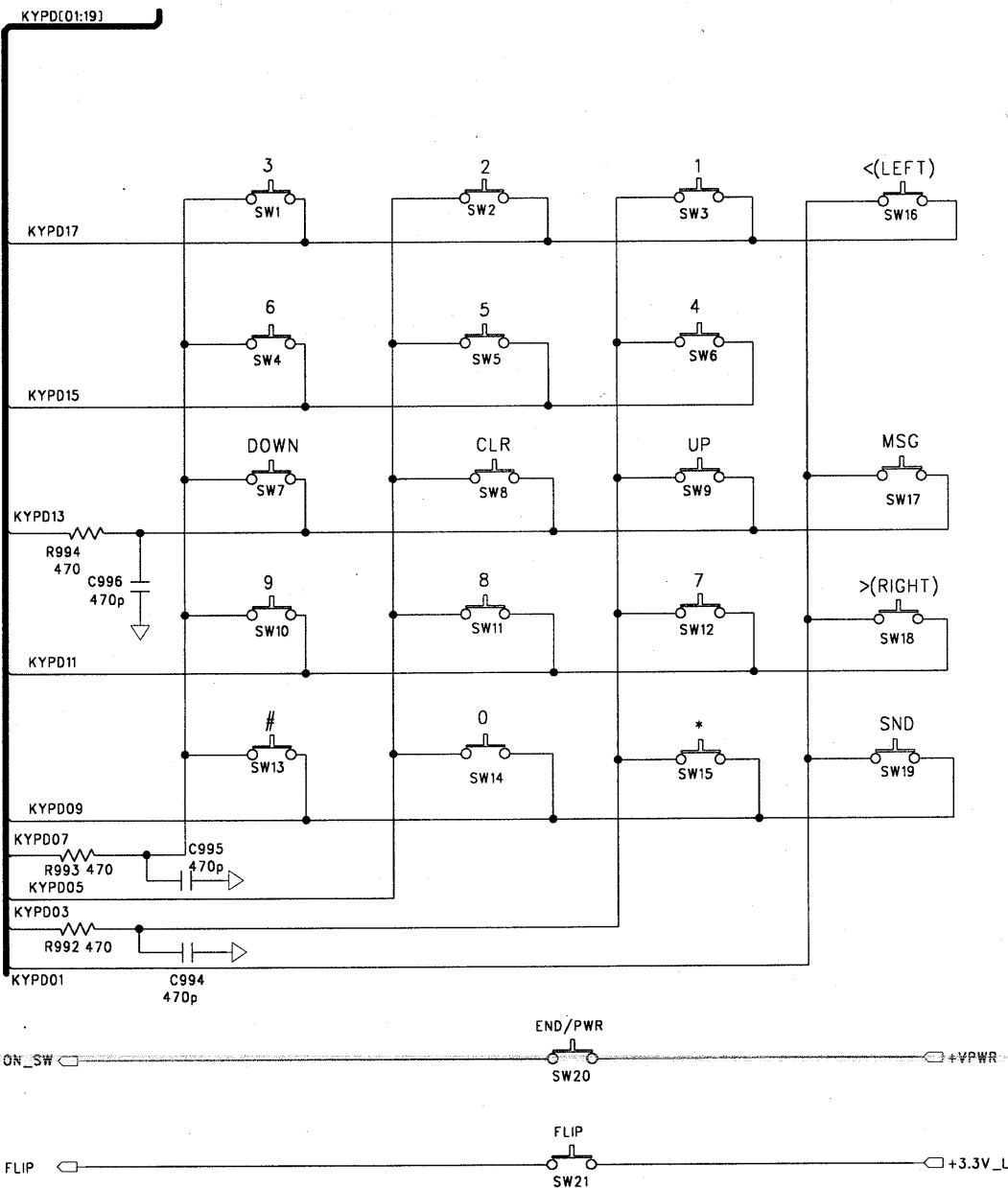
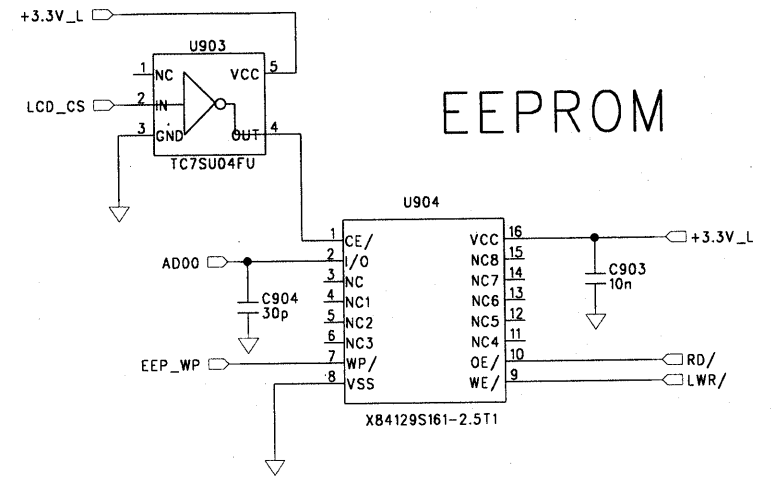
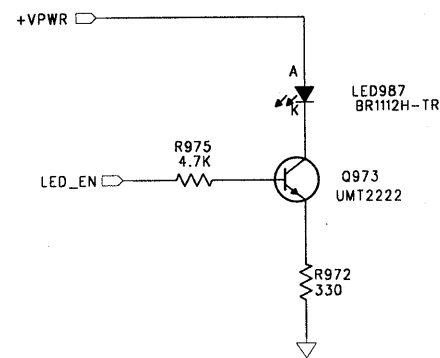
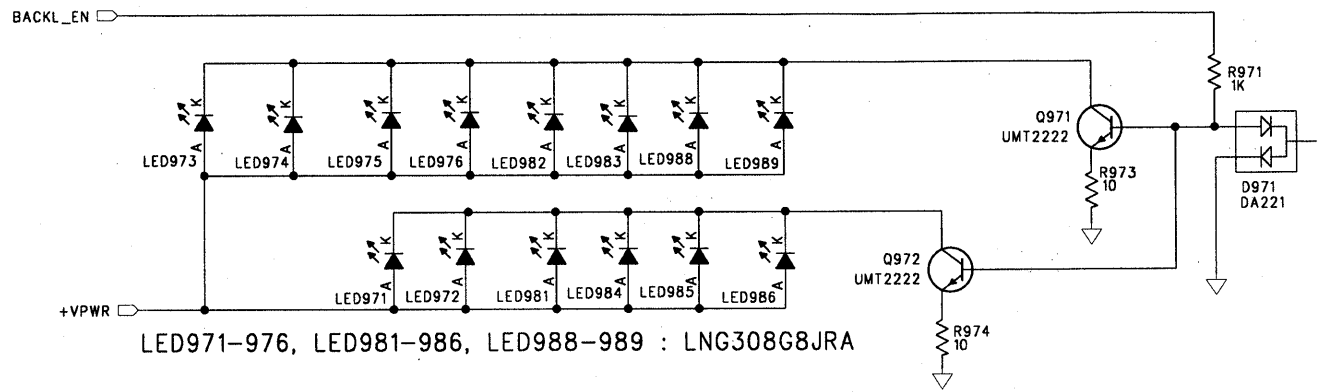
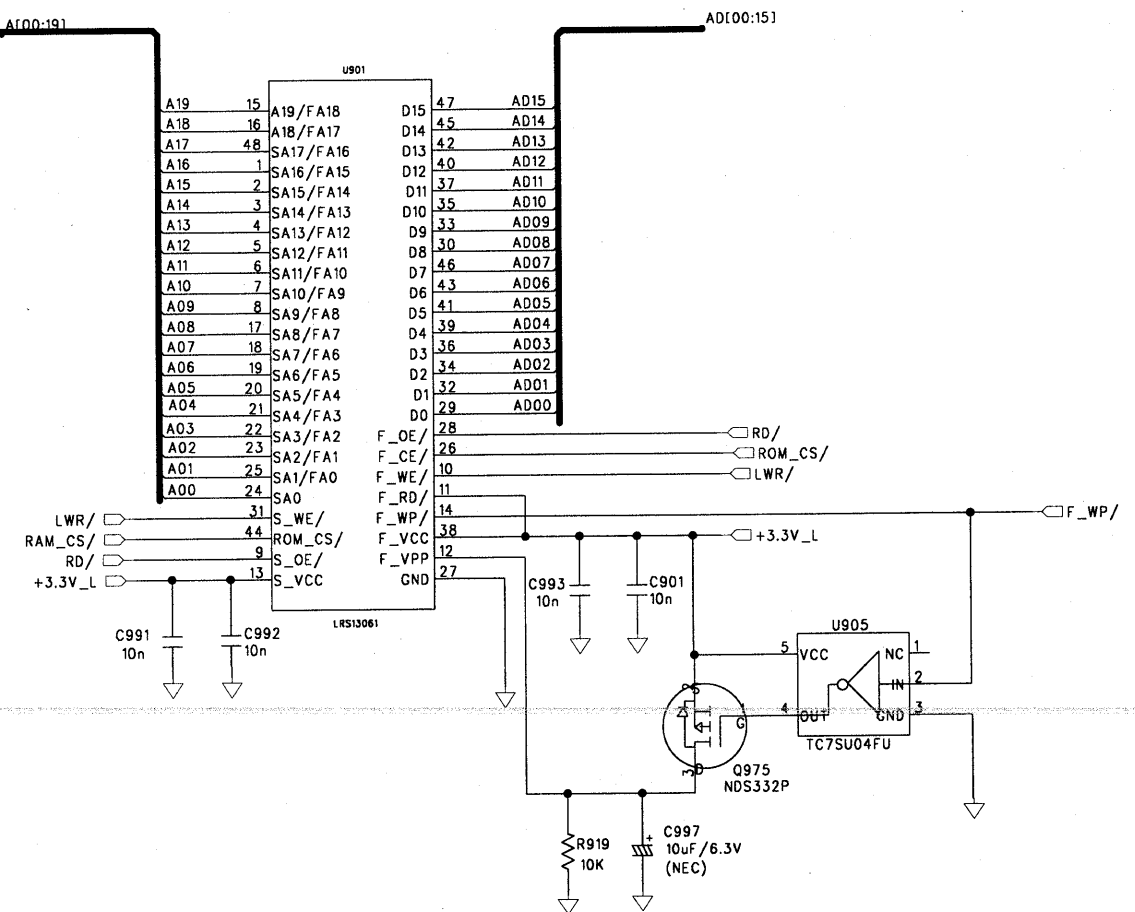


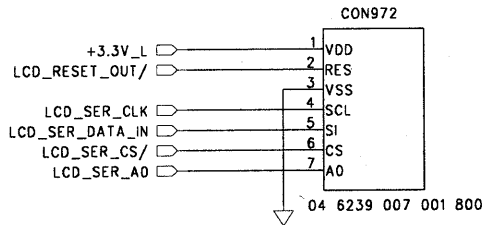
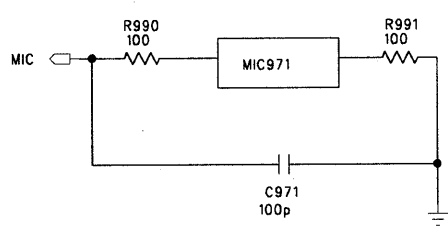
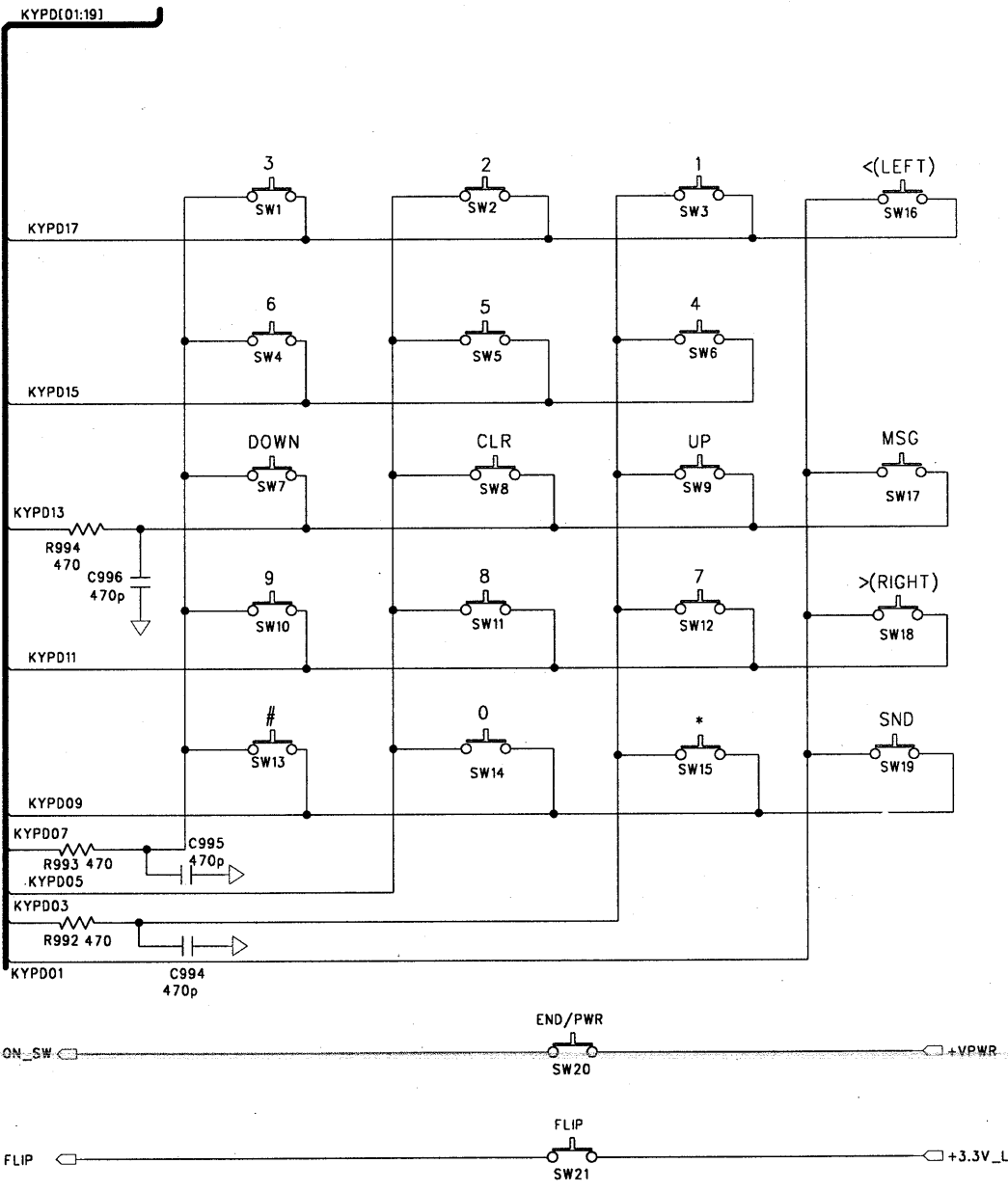
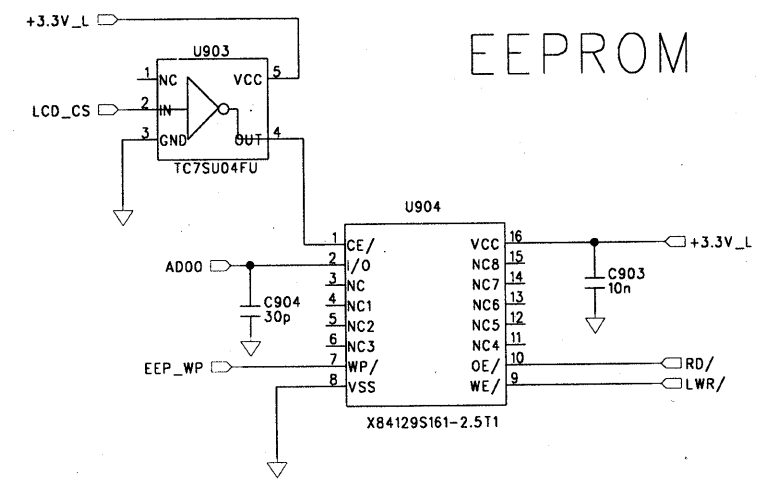
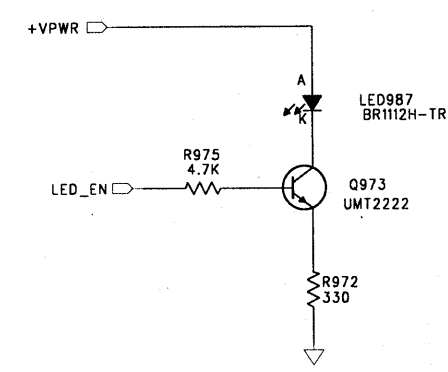
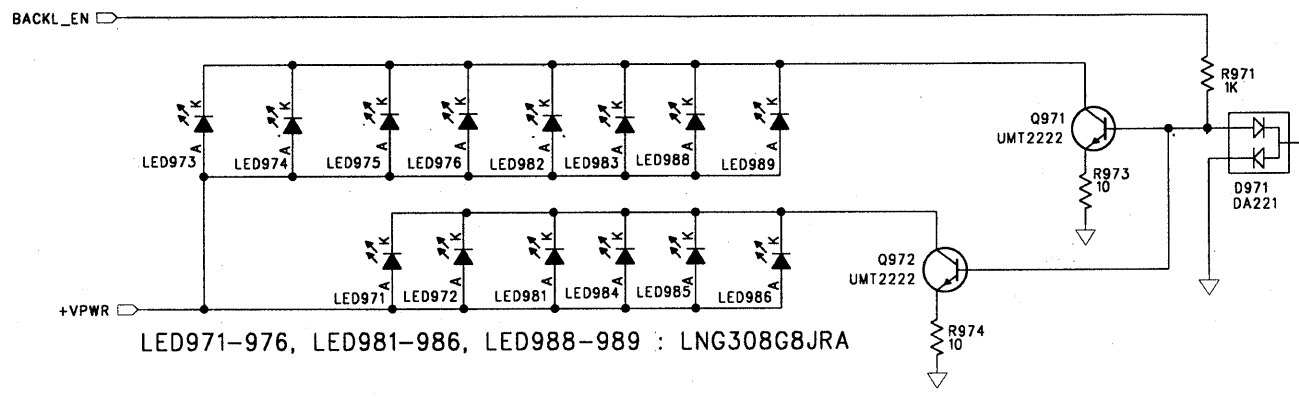
### FLASH MEMORY + SRAM (330WB)



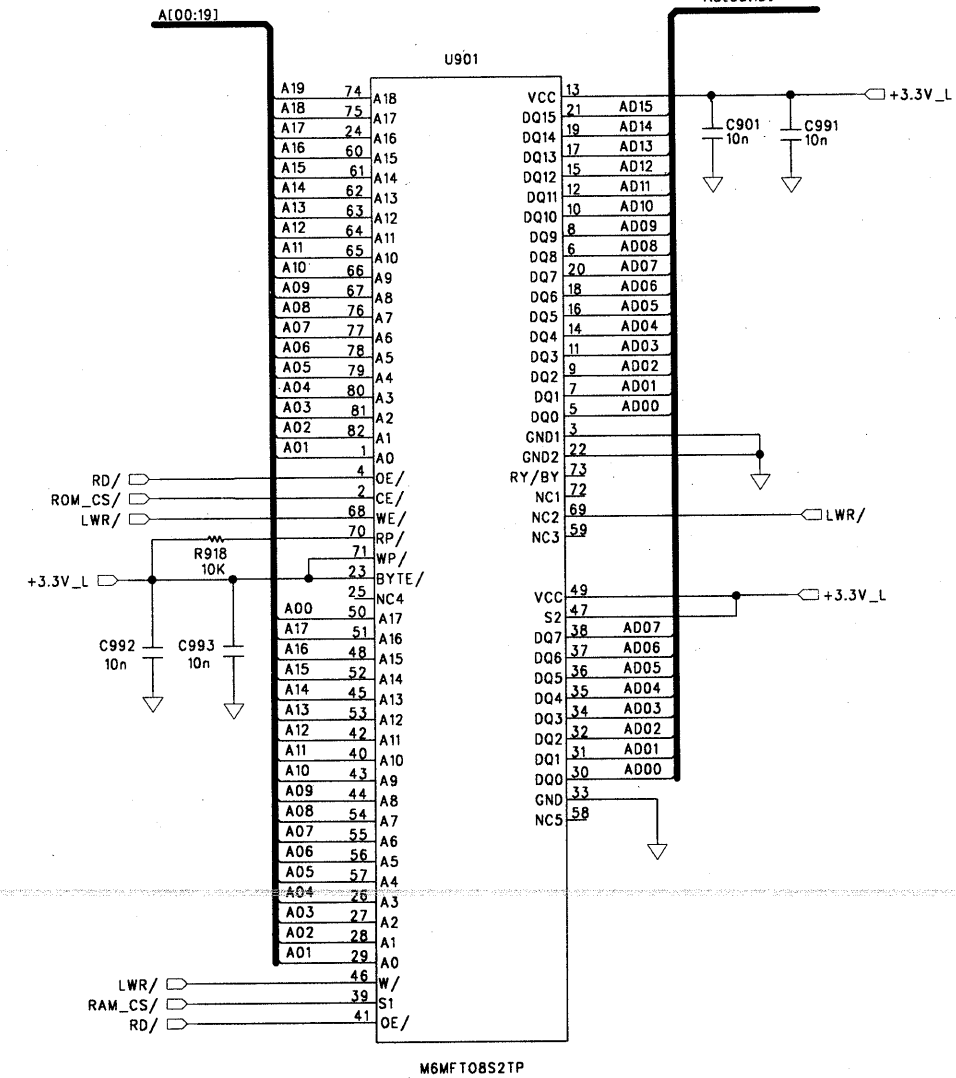


## FLASH MEMORY + SRAM (330WA)

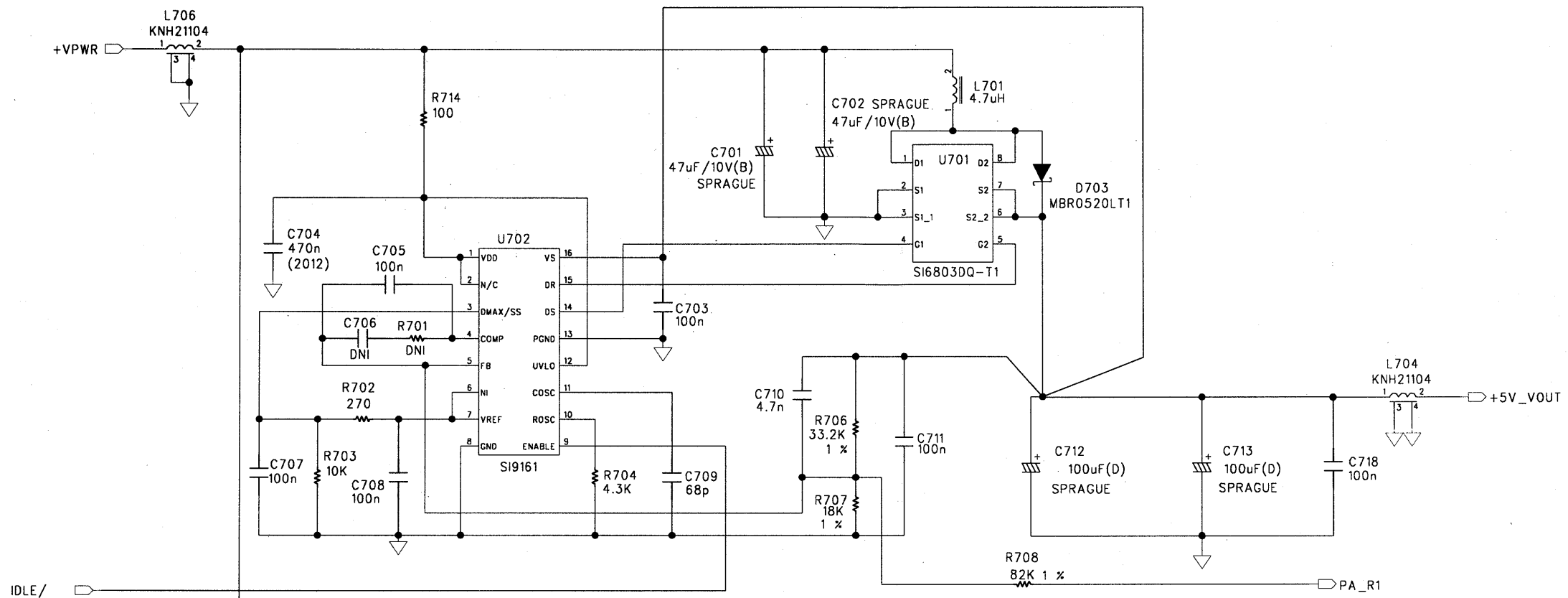




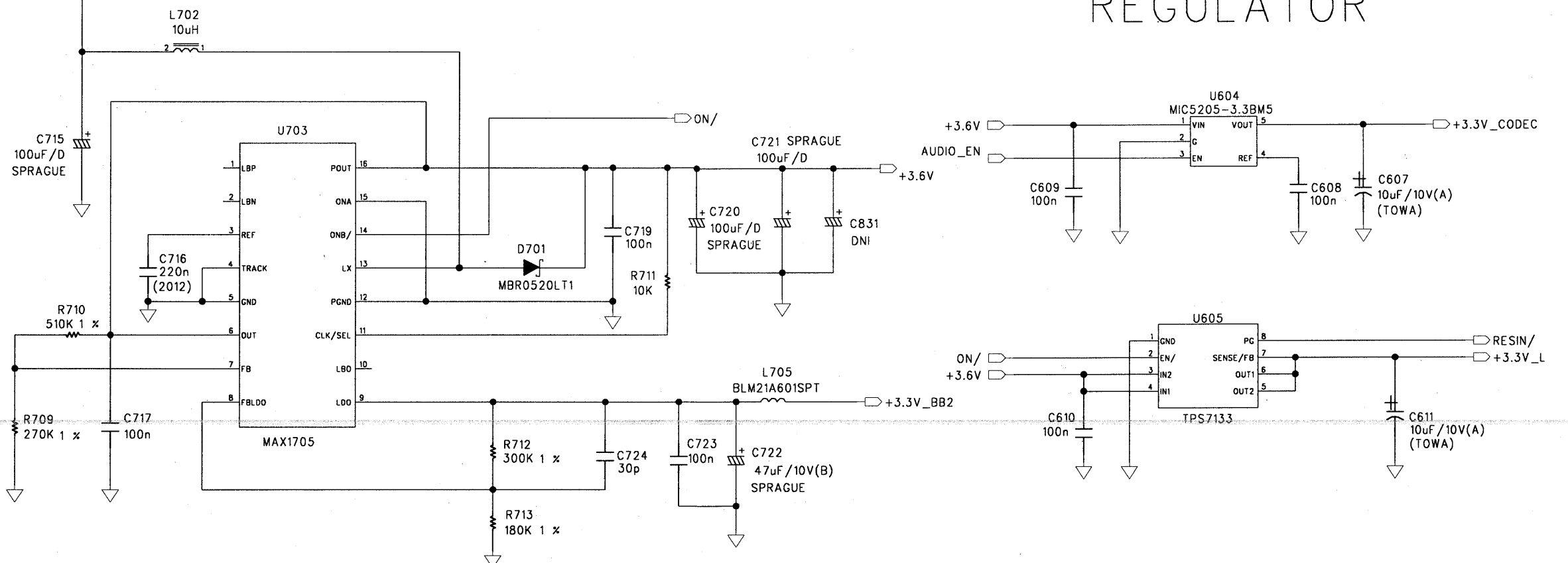
### FLASH MEMORY + SRAM (330W)



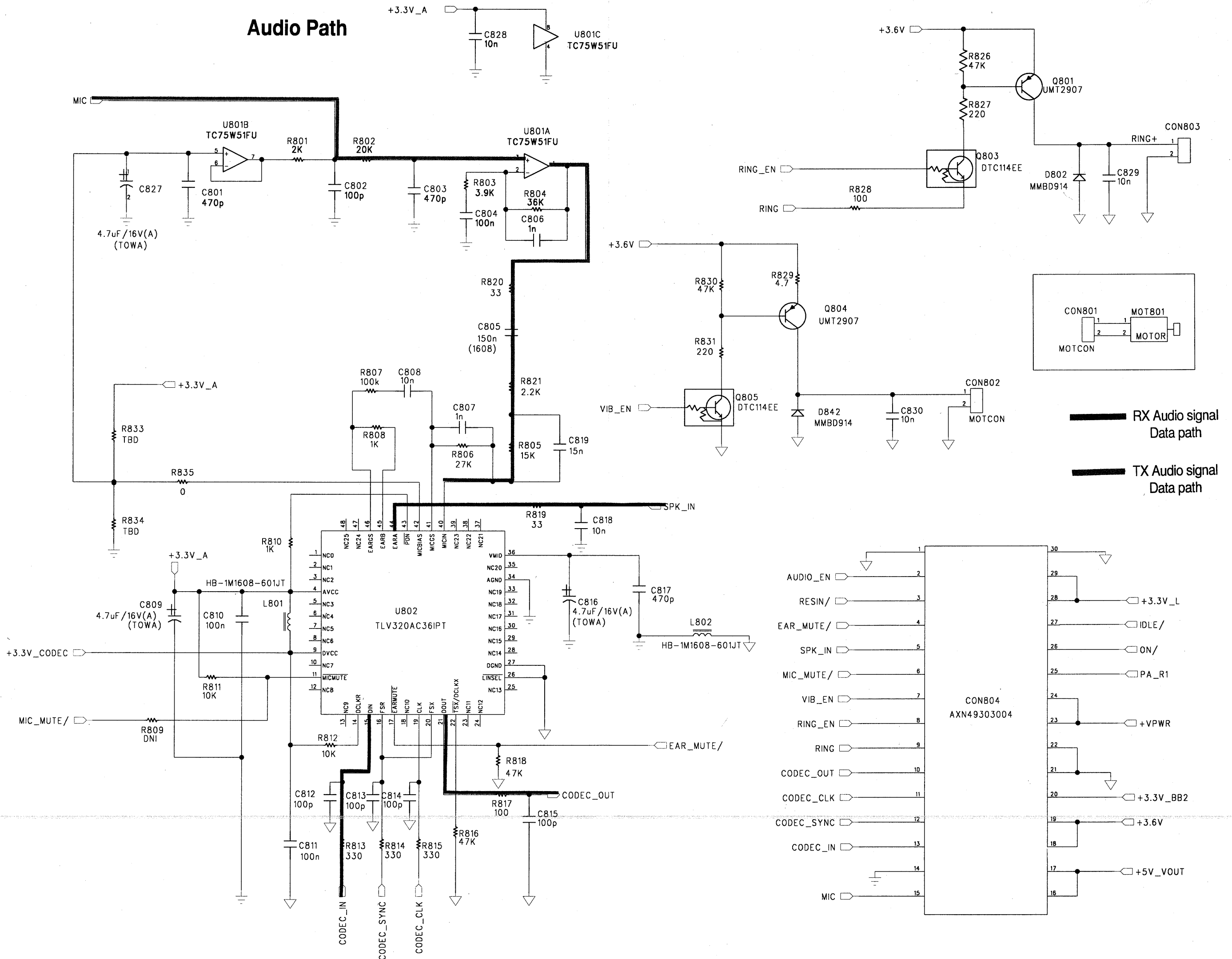
# DC/DC CONVERTOR



# REGULATOR



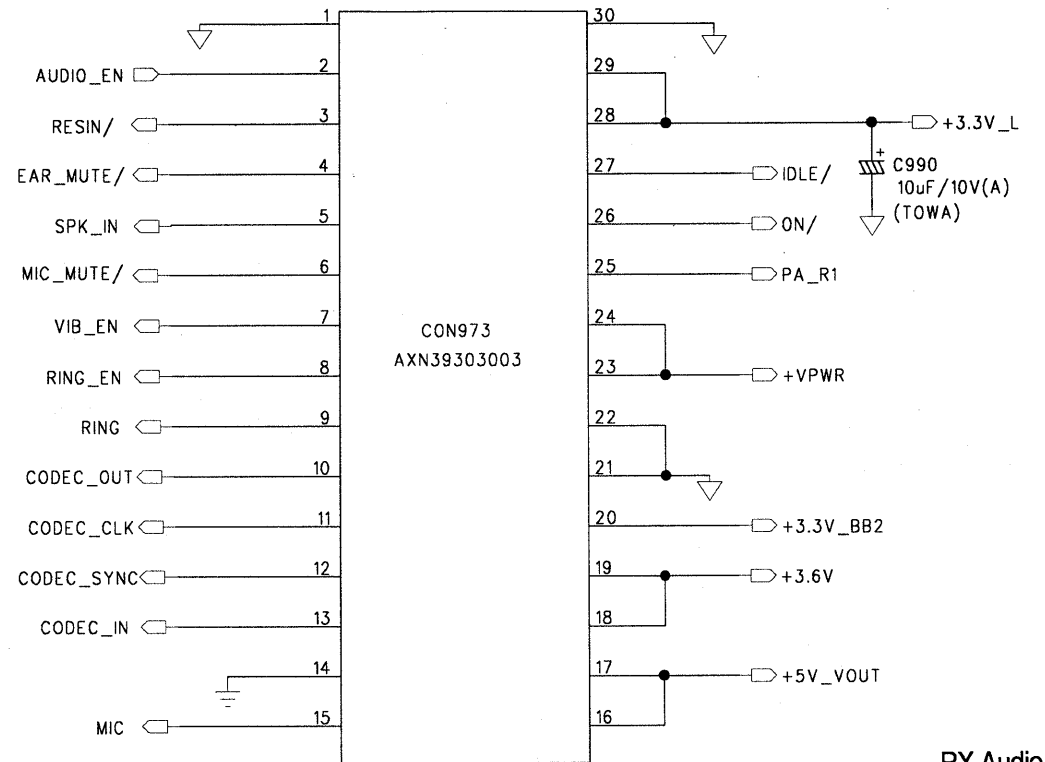
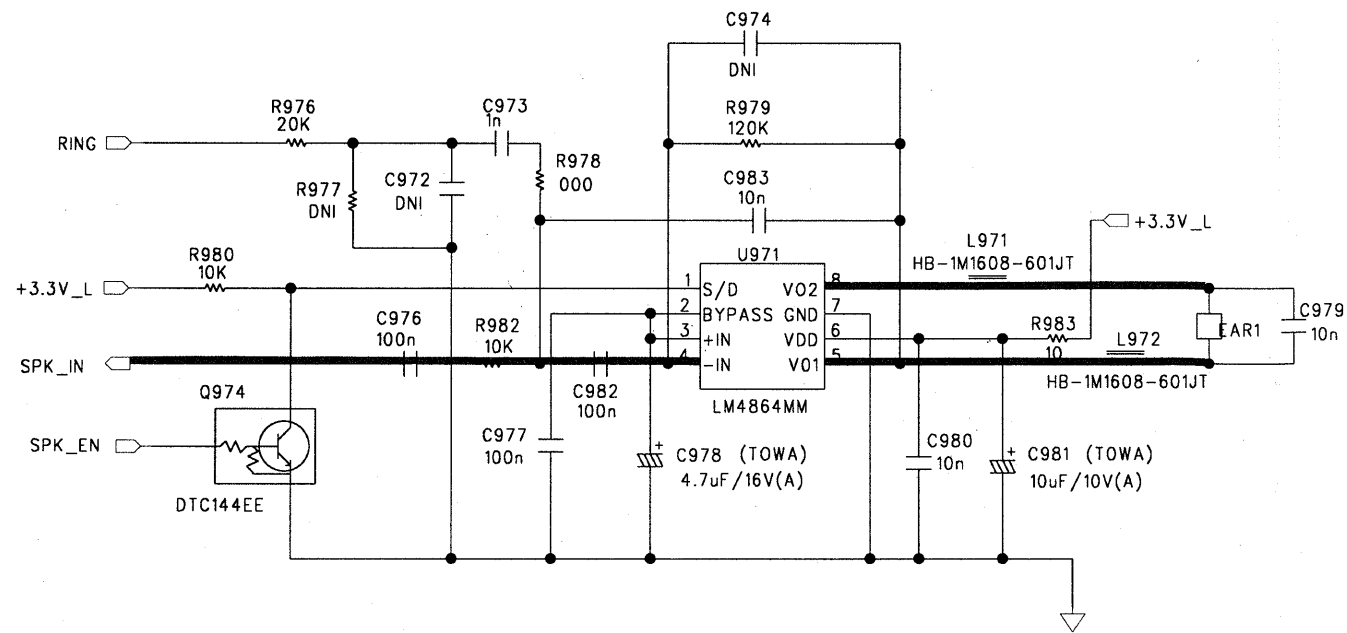
# Audio Path



**———— RX Audio signal  
Data path**

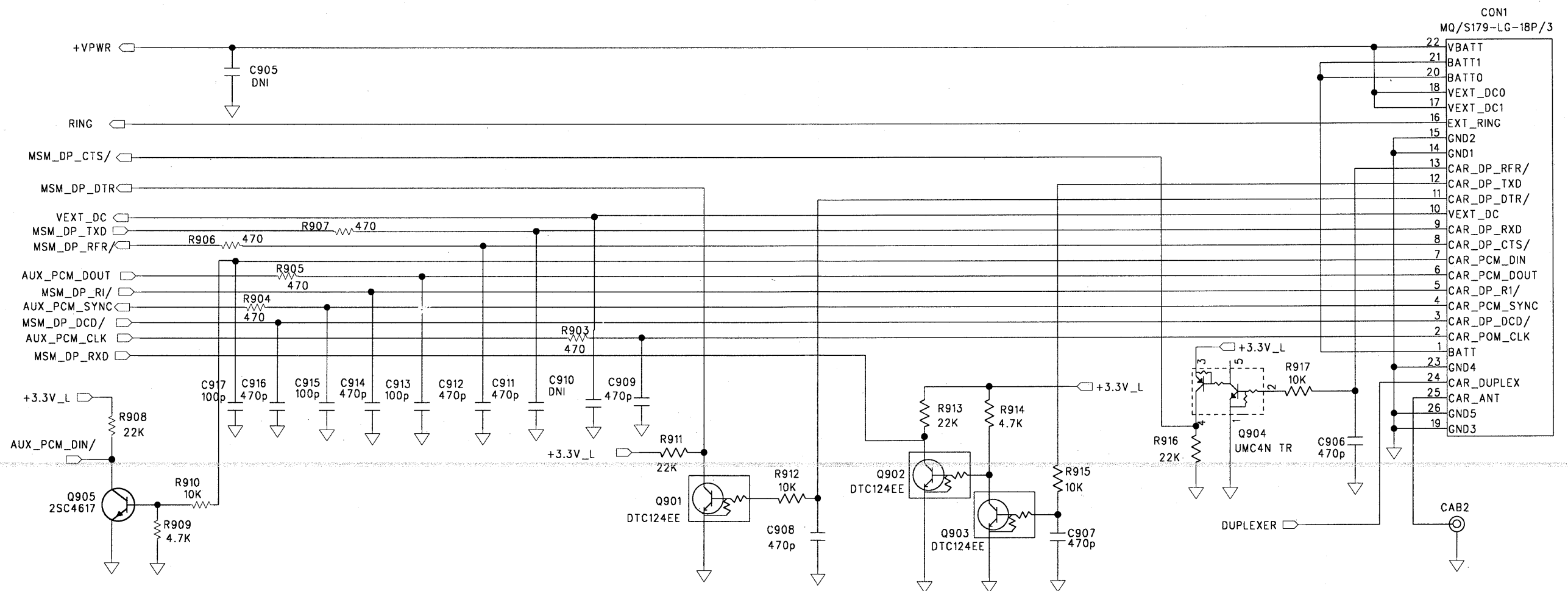
**———— TX Audio signal  
Data path**

# AUDIO AMPLIFIER

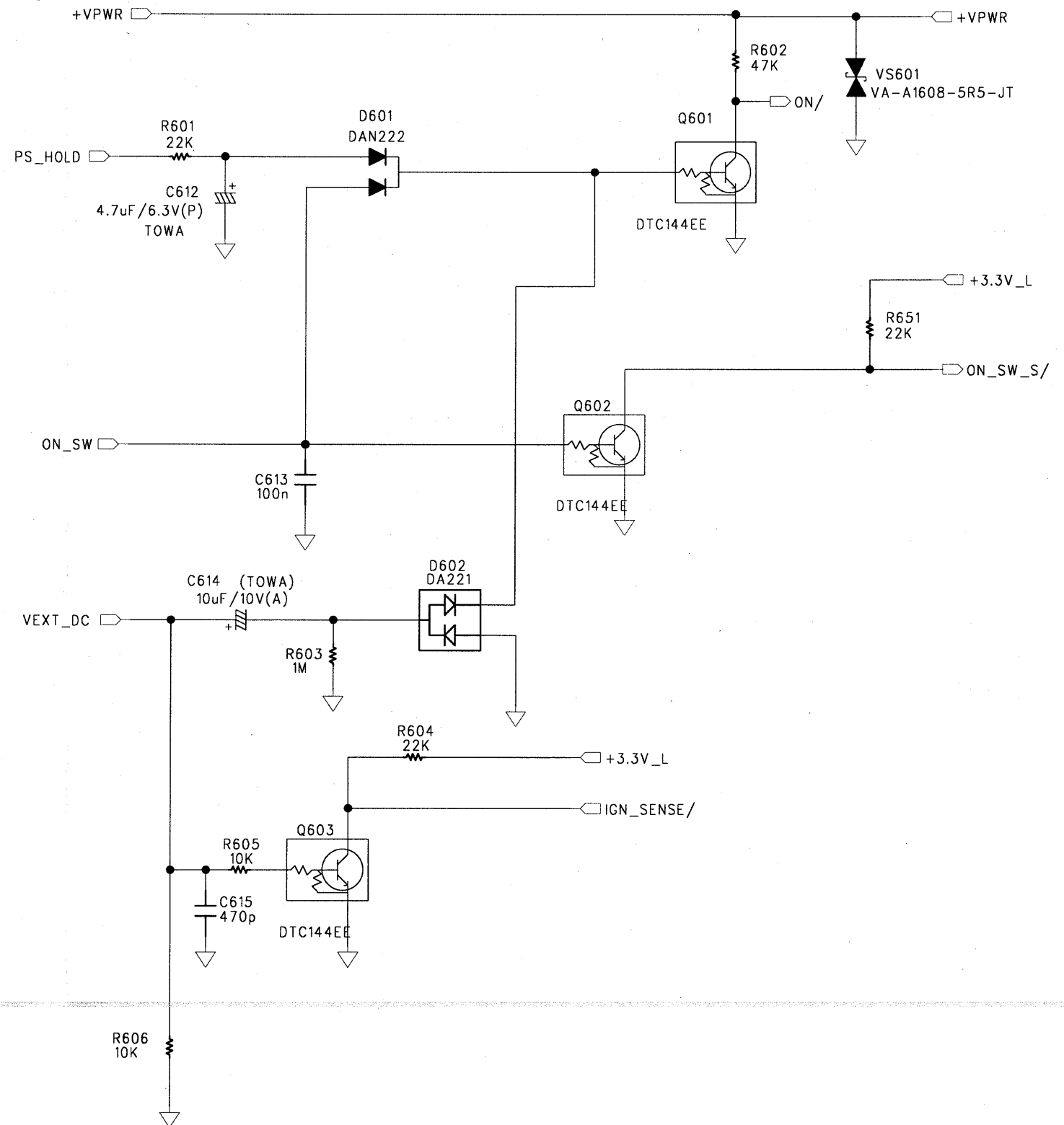
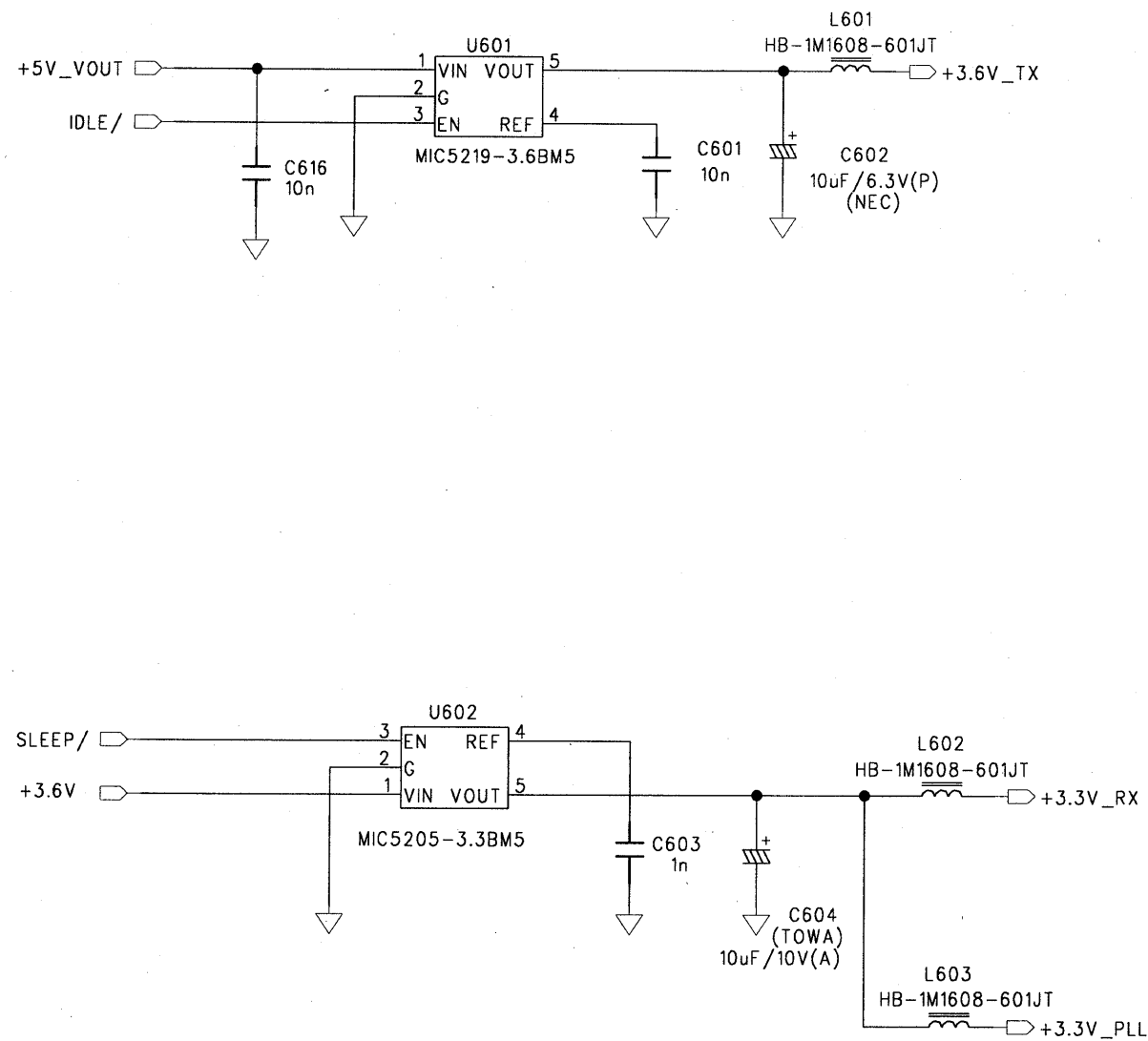


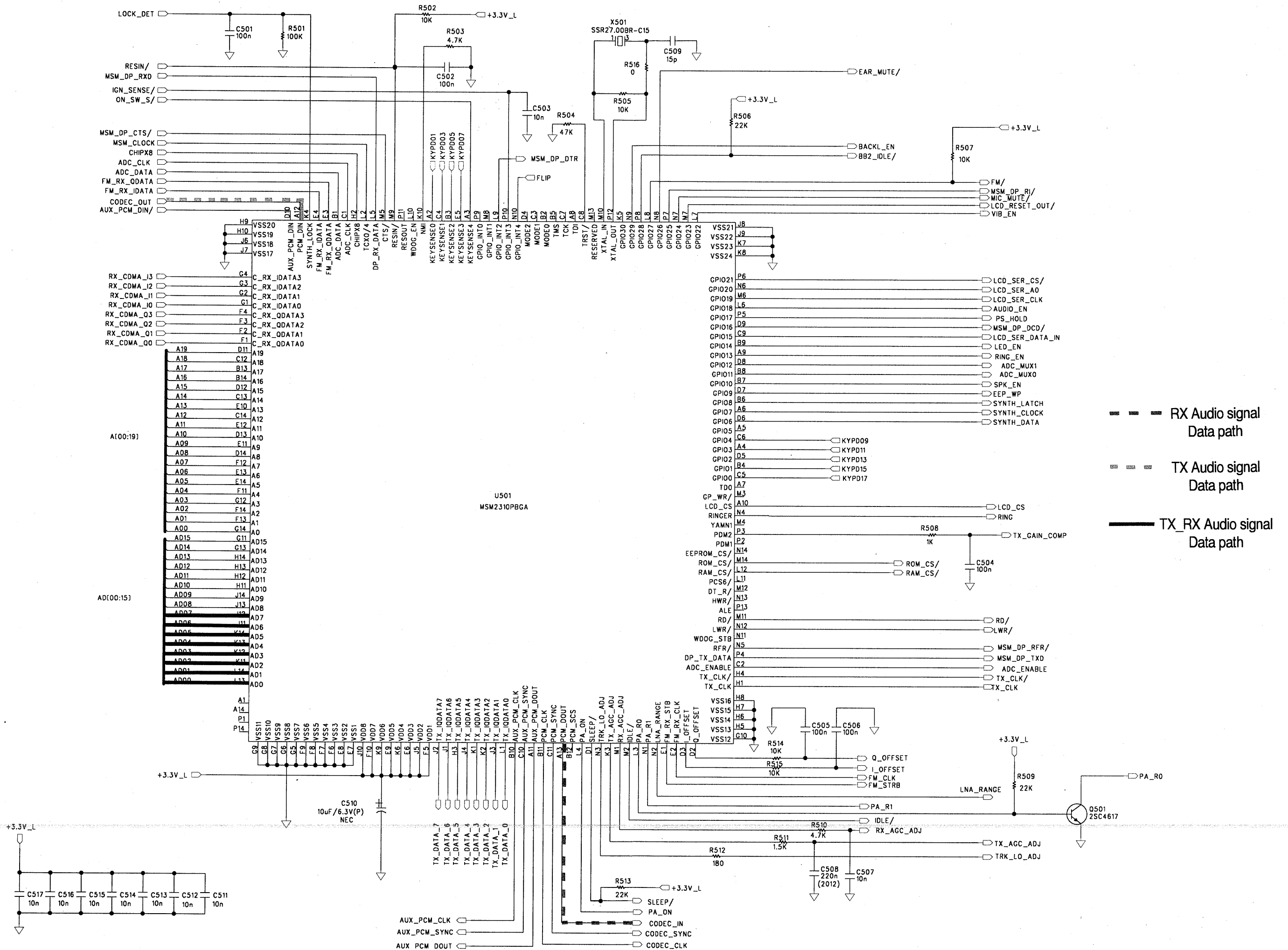
RX Audio signal  
Data path

# CAR\_KIT CONNECTOR



# REGULATOR & POWER SWITCH





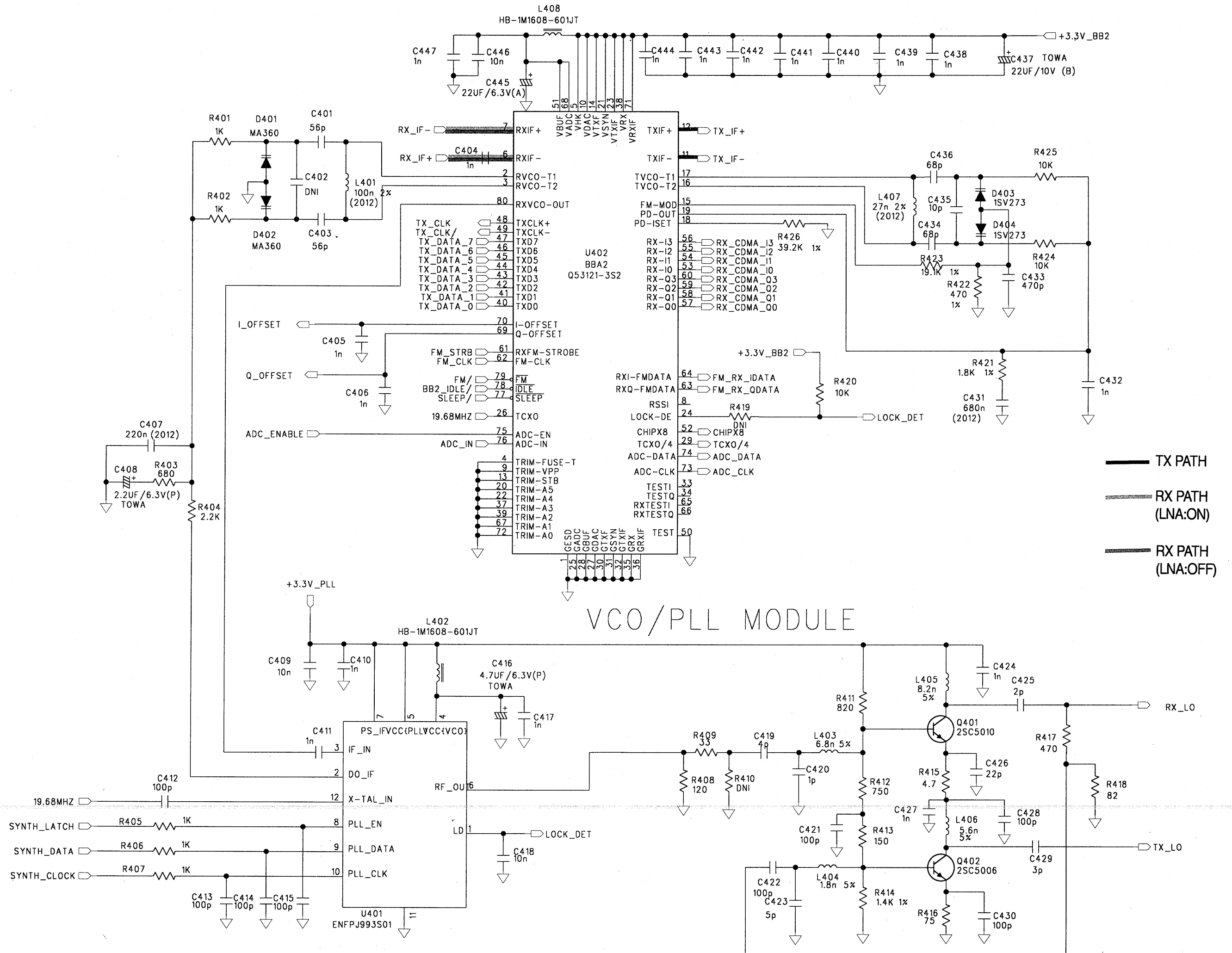
--- RX Audio signal Data path

... TX Audio signal Data path

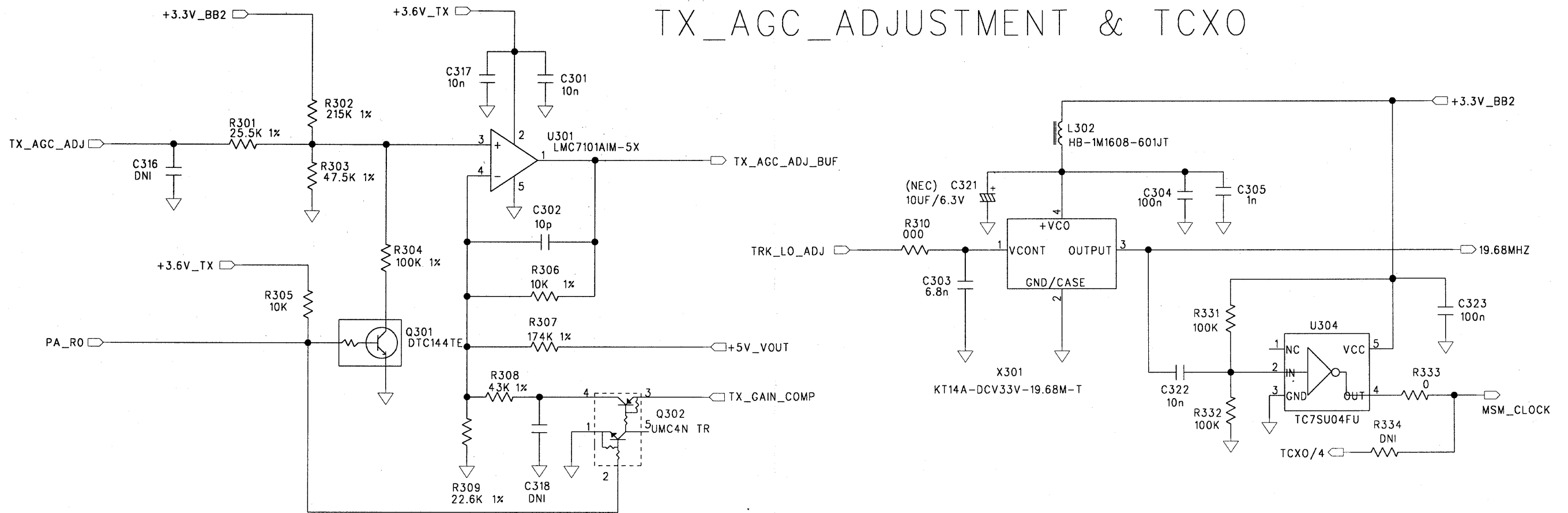
— TX\_RX Audio signal Data path



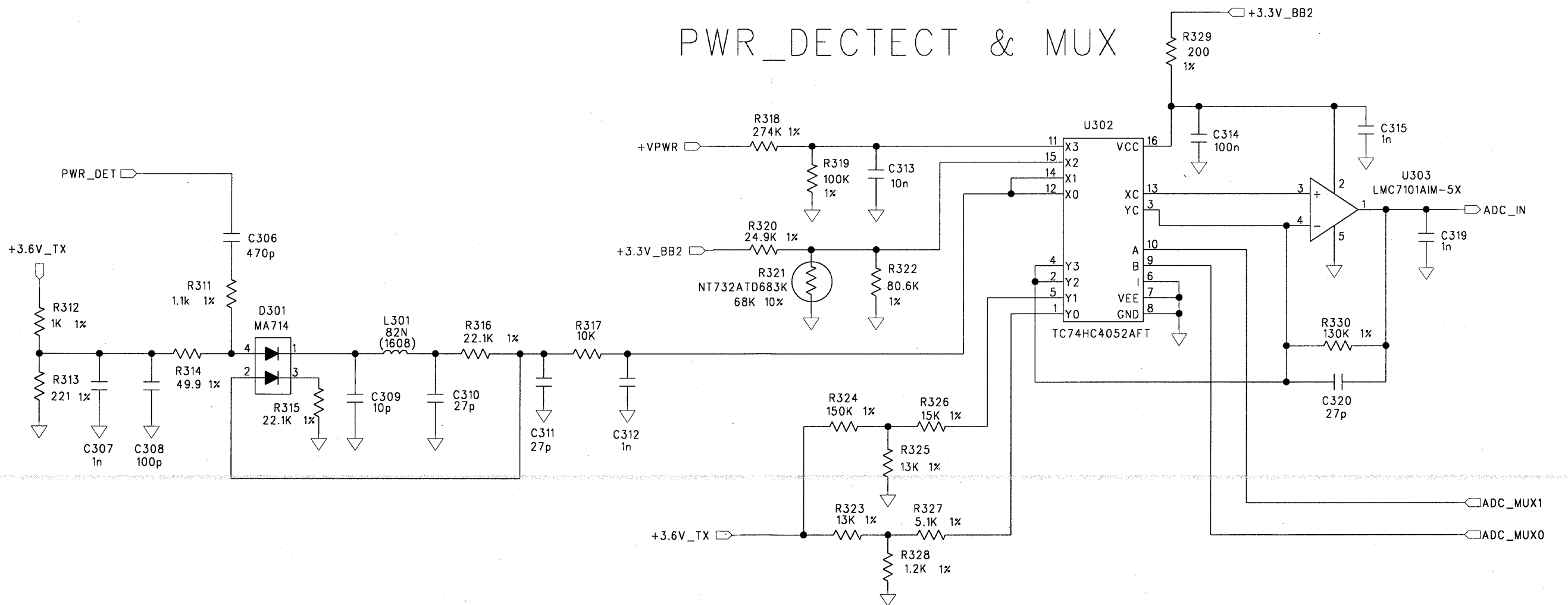
# BBA & TX/RX TANK



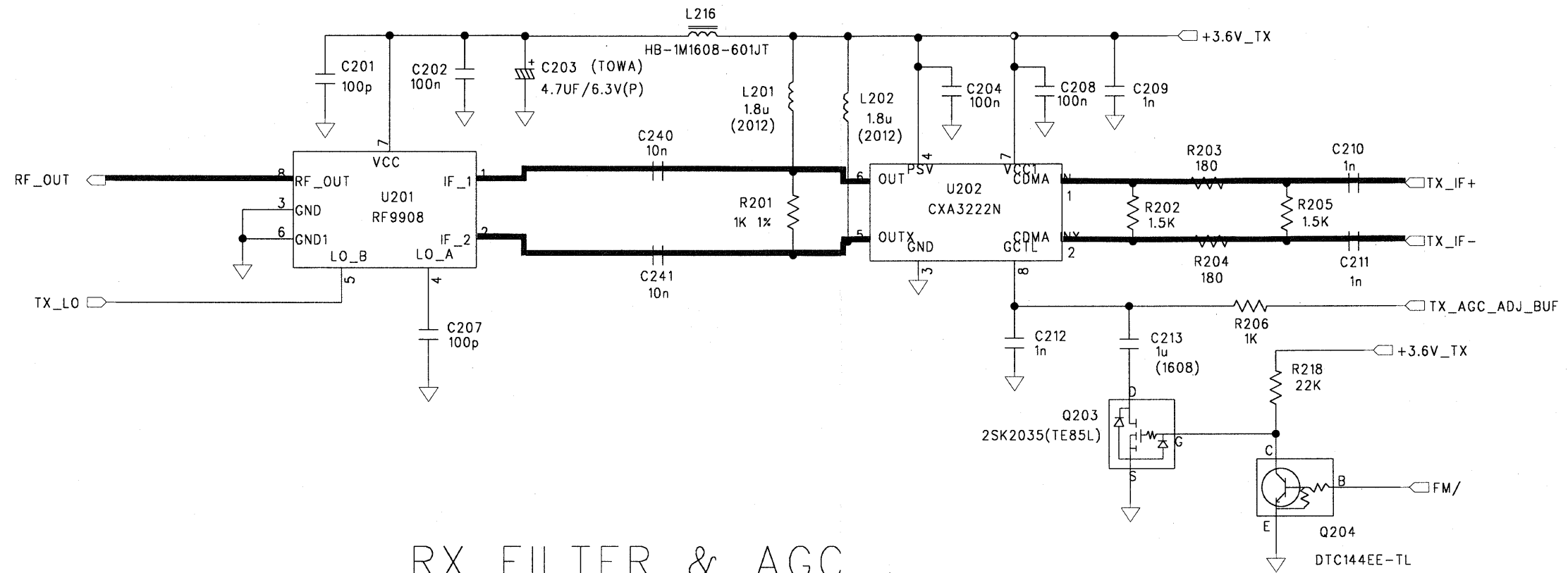
# TX\_AGC\_ADJUSTMENT & TCXO



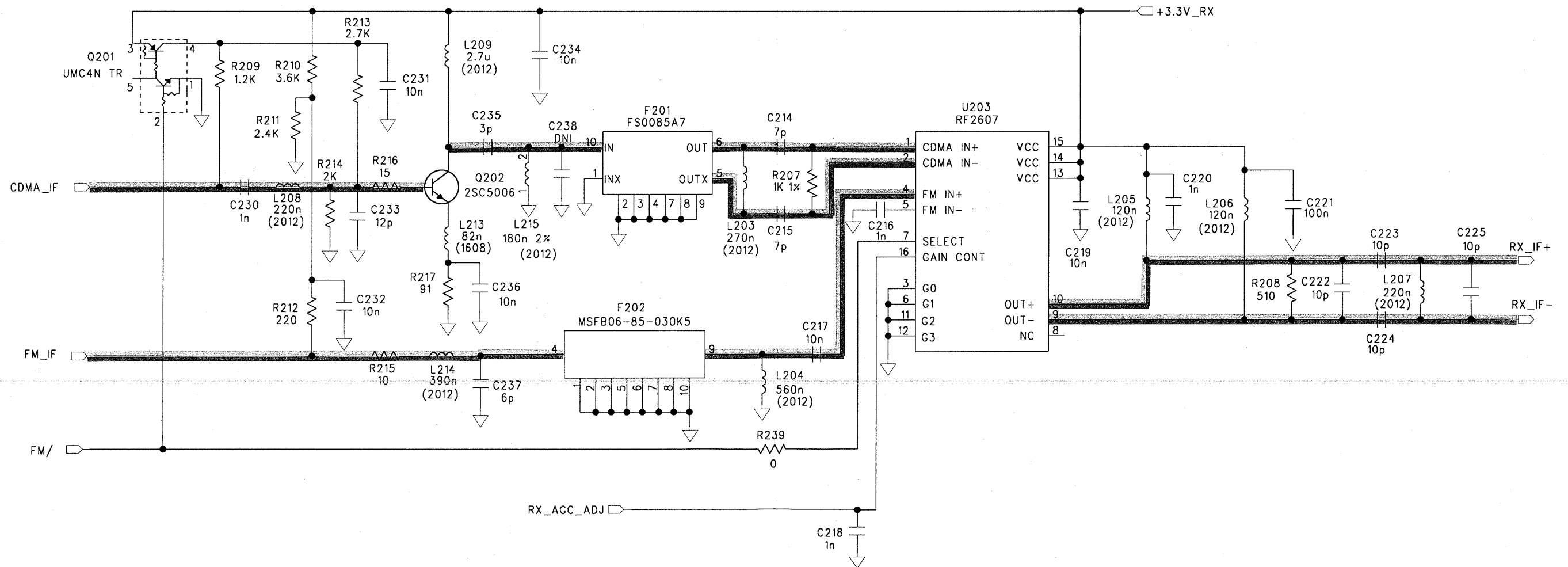
# PWR\_DECTECT & MUX



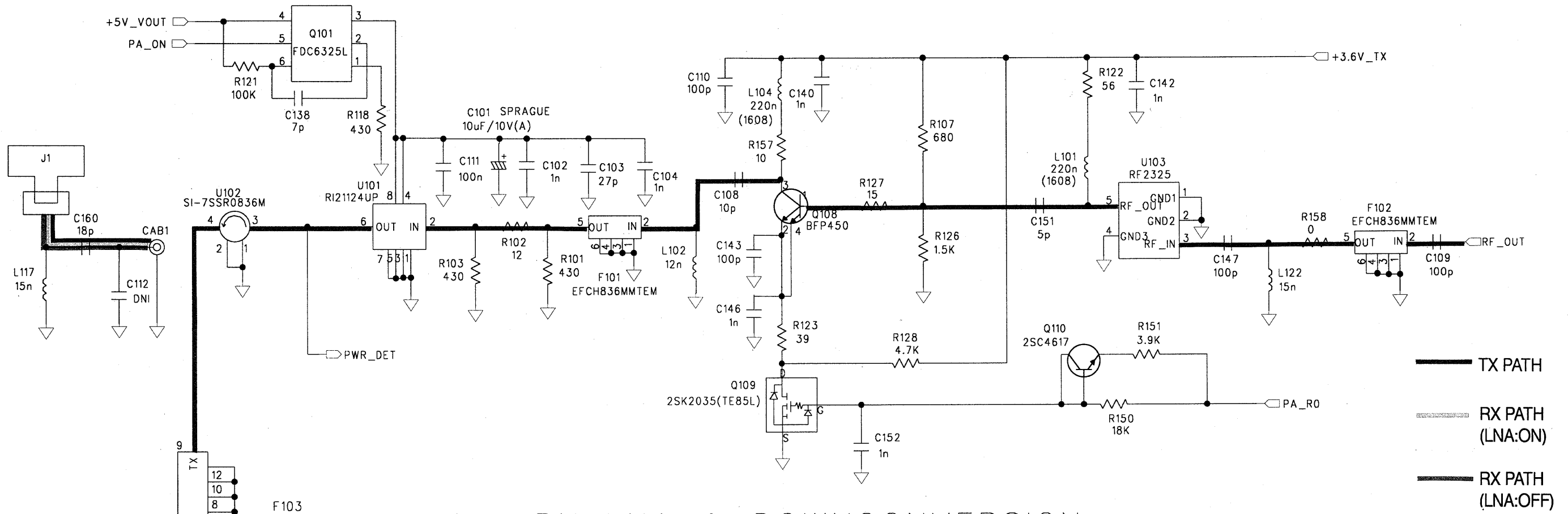
# TX\_AGC & UPCONVERSION



# RX FILTER & AGC



# PWR AMP & TX DRIVE



# RX LNA & DOWNCONVERSION

