



SITE TECHNICAL DOCUMENTATION

myX5-2/ myV-55

Doc. No. : SCT U38 SSC DTS 0019

Version : B

Date : September 13, 2004

Produced by **SAGEM SA**
2, rue du Petit Albi, 95800 Cergy Saint-Christophe, France
Tel (33) 1 30 73 50 50 - Fax (33) 1 30 73 50 55

Copyright © 2002
SAGEM
Cergy Saint-Christophe, France



NO DISCLOSURE AGREEMENT

This document is SAGEM SA property. It can not be copied or communicated without written authorisation.

CONTENTS

CHAPTER 1 - FOREWORD

1.1 HOW TO USE THE SITE TECHNICAL DOCUMENTATION.....	1-1
1.2 ABBREVIATIONS	1-2
1.3 COMMENTS SHEET	1-3

CHAPTER 2 - DESCRIPTION - OPERATION

2.1 REMINDERS ABOUT THE GENERAL CHARACTERISTICS OF GSM AND PCS NETWORKS.....	2-1
2.2 REMINDERS ABOUT THE CHARACTERISTICS OF myX5-2/ myV-55	2-3
2.4 DATA/ AUDIO/ CHARGE CONNECTOR	2-5
2.4.1 Connector description.....	2-5
2.4.2 Signal description.....	2-5
2.5 IDENTIFICATION	2-7
2.5.1 Illustration.....	2-7
2.5.2 Description	2-7
2.5.3 Description after reparation	2-7
2.6 PHONE BLOCK DIAGRAM.....	2-8
2.6.1 myX5-2/ myV-55 block diagram.....	2-8
2.6.2 Standards and environment.....	2-9
2.7 EQUIPEMENTS.....	2-9
2.7.1 Battery packs	2-9
2.7.2 Mains modules.....	2-10

CHAPTER 3 - SYMPTOMS

3.1 GENERAL.....	3-1
3.2 LIST OF REPORTED DEFECTS	3-2
3.3 ERROR MESSAGES DURING START UP	3-4
3.4 OTHER ERROR MESSAGES	3-4
3.5 LIST OF OBSERVED DEFECTS	3-6
3.6 INFORMATION ABOUT NEW NOTICED FAULTS	3-6
SYMPTOM SHEET	3-7
SYMPTOM SHEET 01 : ENDURANCE BATTERY CHARGER.....	3-8
SYMPTOM SHEET 02 : COMMUNICATION.....	3-9
SYMPTOM SHEET 03 : NO FAULT GIVEN	3-10
SYMPTOM SHEET 04 : DISPLAY	3-11

SYMPTOM SHEET 05 : KEYPAD.....	3-12
SYMPTOM SHEET 06 : RING TONES.....	3-13
SYMPTOM SHEET 07 : VIBRATE.....	3-14
SYMPTOM SHEET 08 : MICROPHONE / LOUDSPEAKER	3-15
SYMPTOM SHEET 09 : CAMERA.....	3-16

CHAPTER 4 - TESTS AND CHECKS

4.1 GENERAL ABOUT TESTS	4-1
4.2 TEST TOOLS	4-1
4.3 INSTALLING ON A WORKSTATION	4-2
4.3.1 Minimum required configuration	4-2
4.3.2 Installing the CRA downloading kit	4-2
4.3.3 SMT functions	4-2
TEST SHEET	4-3
TEST SHEET 01 : TEST CHECK BY SMT	4-4
TEST SHEET 02 : CHARGER TEST.....	4-13
TEST SHEET 03 : BATTERY TEST.....	4-14
TEST SHEET 04 : CONSUMPTION TEST.....	4-15
TEST SHEET 05 : "HOTLINE" MENU	4-16
TEST SHEET 06 : RADIO TEST.....	4-17
TEST SHEET 07 : CAMERA TEST.....	4-18

CHAPTER 5 – MAINTENANCE PROCEDURES

5.1 TECHNICAL WORK LEVELS.....	5-1
5.2 SHORT LOOP PROCESS.....	5-2
5.3 MAINTENANCE TOOLS	5-4
LEVEL 0 MAINTENANCE	5-5
PROCEDURE SHEET 0 01 : REMOVING AND REPLACING THE BACK COVER	5-6
PROCEDURE SHEET 0 02 : REMOVING AND REPLACING THE BATTERY	5-8
PROCEDURE SHEET 0 03 : REMOVING AND REPLACING THE FRONT COVER.....	5-10
PROCEDURE SHEET 0 04 : REMOVING AND REPLACING THE KEYPAD.....	5-12
PROCEDURE SHEET 0 05 : REMOVING AND REPLACING THE KNOB LOCK.....	5-14

LEVEL 1 MAINTENANCE	5-16
PROCEDURE SHEET 1 01 : REMOVING AND REPLACING THE ASSEMBLY FLANGE.....	5-17
PROCEDURE SHEET 1 02 : REMOVING AND REPLACING THE CAMERA	5-19
PROCEDURE SHEET 1 03 : REMOVING AND REPLACING THE DYSPLAY	5-21
PROCEDURE SHEET 1 04 : REMOVING AND REPLACING THE ELECTRONIC BOARD.....	5-23
PROCEDURE SHEET 1 05 : REMOVING AND REPLACING THE METAL DOME	5-25
PROCEDURE SHEET 1 06 : REMOVING AND REPLACING LOUDSPEAKER.....	5-27
PROCEDURE SHEET 1 07 : REMOVING AND REPLACING THE VIBRATING DEVICE.....	5-29
PROCEDURE SHEET 1 08 : ELECTRONIC BOARD EXCHANGE.....	5-31
LEVEL 3 MAINTENANCE	5-34
PROCEDURE SHEET 3 01 : RETURN TO SAGEM FACTORY.....	5-36
PROCEDURE SHEET 3 02 : RETURN TO CUSTOMER.....	5-37
OUT OF WARRANTY INTERVENTION	5-38
PROCEDURE SHEET 4 01 : REMOVING AND REPLACING THE DATA/ AUDIO/ CHARGE CONNECTOR	5-39
CHAPTER 6 - ACCESSORIES	
6.1 12 V / 24 V CHARGERS.....	6-1
6.1.1 Description	6-1
6.1.2 Characteristics	6-1
6.2 DESKTOP CHARGERS AND CRADLES	6-2
6.2.1 Description	6-2
6.2.2 Characteristics	6-2
6.3 CAR CRADLE.....	6-3
6.3.1 Description	6-3
6.3.2 Characteristics	6-3
6.4 FULL DUPLEX CAR HANDSFREE KIT	6-4
6.4.1 Description	6-4
6.4.2 Characteristics	6-4
6.5 PEDESTRIAN HANDSFREE KIT.....	6-6
6.5.1 Description	6-6
6.5.2 Characteristics	6-6

6.6 DATA CABLES	6-7
6.6.1 Description	6-7
6.6.2 Characteristics	6-7

CHAPTER 7 – TECHNICAL INFORMATION BULLETIN

7.1 PURPOSE	7-1
7.2 APPLICATION	7-1

CHAPTER 8 – ILLUSTRATED PARTS CATALOG

8.1 myX5-2/ myV-55 SPARE PARTS.....	8-1
-------------------------------------	-----

APPENDIX 1 – COMPOSITION TABLE

CHAPTER 1 - FOREWORD

This document is common to all myX5-2/ myV-55 phones in the SAGEM. It is composed of independent sheets:

- Symptom sheets = Symp Sheet XX
- Test and check sheet = Test Sheet XX
- Maintenance procedure sheet = Proc Sheet X XX

The applicability of a procedure is indicated in the independent sheets title block.

These sheets are updated from time to time in Technical Information Bulletins (TIB).

The information contained in this document is non-contractual, since phone characteristics can change.

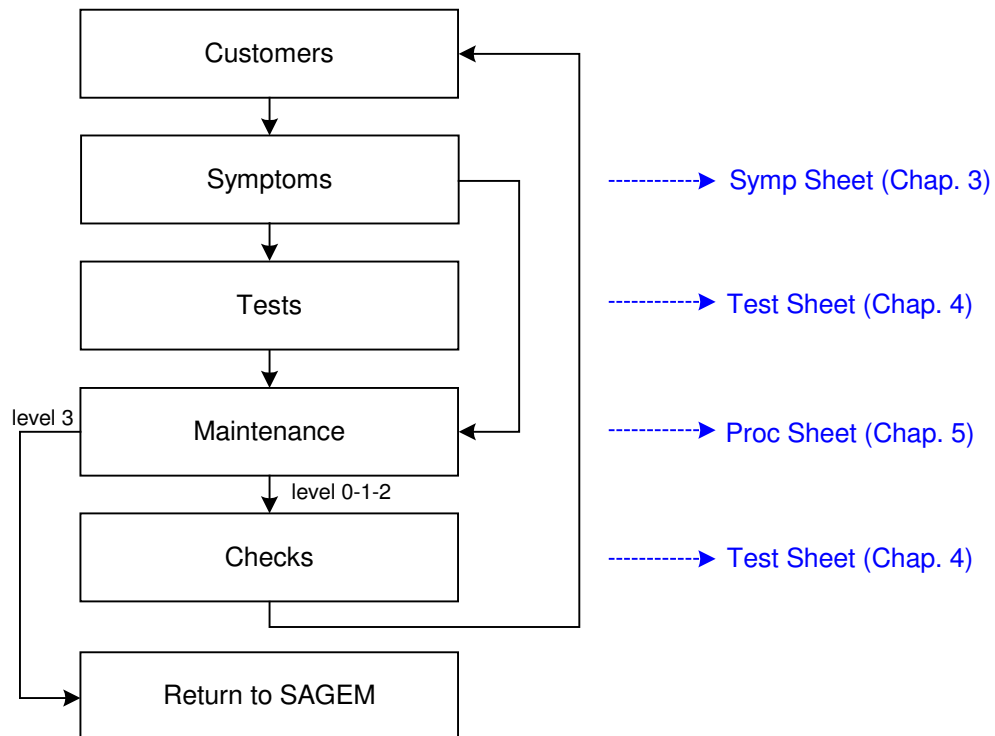
Phones are managed based on *SAGEM* handset codes; any order for spare parts must refer to these codes (typical code 25 xxx xxx-x).

1.1 HOW TO USE THE SITE TECHNICAL DOCUMENTATION

This is a modular document. Each sheet is single and independent. In some cases several sheets may have to be used in order to determine the complete procedure to be applied.

A troubleshooting chapter (chapter 3) is provided and is sorted according to the type of reported fault, to determine the maintenance procedure to be carried out.

These sheets describe the procedure to be followed. They refer to test sheets or removal and replacement maintenance sheets. Maintenance ,executed by the repair center, terminates either by returning the product to the customer, or by dispatching it to level 3 maintenance (return to factory).



All sheets include illustrations to make it easier to read the procedure.

- **Chapter 1: Foreword**, describes general data about this document.
- **Chapter 2: Description - Operation**, describes general data and options available in the myX5-2/ myV-55.
- **Chapter 3: Symptoms**, contains troubleshooting procedures to be carried out on equipment.
- **Chapter 4: Tests and checks**, contains tests and check procedures to be performed on the equipment.
- **Chapter 5: Maintenance procedures**, contains level 0 to 2 maintenance procedures to be carried out on the equipment, and the procedure to return to SAGEM level 3.
- **Chapter 6: Accessories**, describes the characteristics of accessories for myX5-2/ myV-55 phones.
- **Chapter 7: Technical Information Bulletins**, contains the various modifications made to this documentation.
- **Chapter 8: Illustrated Parts Catalogue**, contains the various reference for spare parts.
- **Appendix 1: Composition table**, contains the various Sagem references codes for equipment described in this document.

1.2 ABBREVIATIONS

AAC	Advanced Audio Coder
ADPCM	Adaptive Differential Pulse Codec Modulation
ALS	Alternative Line Services
AOC	Advice Of Charge
CCD	Charged Coupled Device
CLI	Calling Line Identification
CLIP	Calling Line Identification Presentation
CSTN	Colored Super Twisted Nematic
DCS	Digital Cellular System
EFR	Enhanced Full Rate
EMS	Enhanced Message Service
FDN	Fix Dial Number
GPRS	General Packet Radio Service
GSM	Global System for Mobile
IMEI	International Mobile Equipment Identity
ISO	International Standard Organisation
LCD	Liquid Crystal Display
LU	Livret d'Utilisation (User's guide)
MMS	Multimedia Message Service
OMM	Outil de Maintenance des Mobiles (Mobile Maintenance Tools)
PIN	Personal Identity Number
PUK	PIN Unlocking Key
RF	Radio Frequency

SAR	Specific Absortion Rate
SIM	Subscriber Identify Module
SMS	Short Message Service
SMS CB	Short Service Message Cell Broadcast
TFT	Thin Film Transistors
USSD	Unstructured Supplementary Service Data
VGA	Video Graphics Array
WAP	Wireless Application Protocol
WiFi	Wireless Fidelity
WSP	Wireless Session Protocol

1.3 COMMENTS SHEET

Broad experience is very beneficial in several respects. Please let us know your comments so that we can improve the contents and presentation of this document.

Your suggestions will be read carefully by :

- the design laboratory,
- production,
- the purchasing department,
- the after sales service,
- all users of this document.

All your suggestions are valuable, they will help us to better satisfy you.

Please photocopy and fill in the sheet 1-4.

Document title: **Site Technical Document for myX5-2/ myV-55**

Reference :

Date : February 2004

Please fill in the following table :

	Excellent	Good	Fairly good	Passable
Easy to find the required information				
Clarity of information provided				
Quality and accuracy of information given				
Document outline				
Document presentation and appearance				
Quality of illustrations				
General satisfaction				

Do you think this document could be improved ? if so, how ? :

- Improve the overall view
- Improve the table of contents
- Improve the structure
- Add illustrations
- Add details
- Add information

Comments : _____

Would you like to discuss the problems mentioned in this questionnaire? If so, state :

Name of the person to be contacted : _____ Phone : _____

Company : _____ Date : _____

Address : _____

THANK YOU FOR PARTICIPATING IN THIS ENQUIRY. YOUR COMMENTS WILL HELP US CONTINUE TO IMPROVE THE QUALITY OF OUR DOCUMENTATION AND THUS BETTER SATISFY YOUR NEEDS.

When you have filled in this questionnaire, please send it :

- by fax, to +33 (0) 1 40 70 84 06

- by mail, to **SAGEM S.A.**
Support Service Client / URD 38
2 rue du petit Albi
BP 8250
95 801 Cergy Saint-Christophe

CHAPTER 2 - DESCRIPTION - OPERATION

2.1 REMINDERS ABOUT THE GENERAL CHARACTERISTICS OF GSM 900, DCS 1800 AND PCS (GSM 1900) NETWORKS

Table 1 below gives the characteristics of the radio interface for the GSM 900, DCS 1800 and PCS 1900 systems :

	GSM 900	DCS 1800	PCS 1900
Frequency Band (MHz)	880 - 915 925 - 960	1710 - 1785 1805 - 1880	1850 - 1910 1930 - 1990
Number of time intervals per TDMA frame	8		
Width 2 x W simplex (MHz)	2 x 25	2 x 75	2 x 60
Duplex spacing (MHz)	45	95	80
Modulation speed (kbit/s)	271		
Speech throughput (kbit/s)	13 (5,6)		
Maximum data throughput (kbit/s)	12		
Multiple access	Frequency and temporal multiplexing / frequency duplexing		
Cell radius (km)	0,3 to 30	0,1 to 4	0,1 to 4
SAGEM terminal power (W)	2	1	1
Table 1 : Radio Interface			

Table 2 shows powers as a function of the network:

Class number	GSM 900		DCS 1800		PCS 1900	
	Maximum nominal power (W)	Allowable interval (W)	Maximum nominal power (W)	Allowable interval (W)	Maximum nominal power (W)	Allowable interval (W)
1	-	-	1	[0,63 ; 1,6]	1	
2	8	[5,0 ; 12,7]	0,25	[0,16 ; 0,4]	0,25	
3	5	[3,2 ; 7,9]	4	[2,5 ; 6,3]	2	
4	2	[1,3 ; 3,2]				
5	0,8	[0,5 ; 1,3]				
Table 2: Terminals power class						

Table 3 shows power classes :

	Class 1	Class 2	Class 3	Class 4	Class 5
900	43 dBm	39 dBm	37 dBm	33 dBm	29 dBm
1800	30 dBm	24 dBm	36 dBm	-	-
1900	30 dBm	24 dBm	33 dBm	-	-
Table 3: RF power classes					

2.2 REMINDERS ABOUT THE CHARACTERISTICS AND OPTIONS OF myX5-2/ myV-55

GENERAL CHARACTERISTICS	myX5-2/ myV-55
Weight (in g) :	97g
Dimensions (in mm) :	106*46*19
Volume (cm ³)	77
Standby (h) :	300
Talk time (h/mn) :	5
Screen size (pixels), Colour, Backlight :	128*160 pixels, 65K colors
Line / character number of the screen :	8 lines
Battery Type	Li Ion
Recharge Time	2h30
RADIO CAPACITY	
GSM 900, 1800 - EGSM, 1900	Yes (850/1800/1900 for M2004a)
GPRS and type (2+1 / 3+1....)	4+1 / 3+2
Voice Quality	FR, HR, EFR, AMR
COSMETIC	
Painted	Several colors
Keypad	Metallic

USEFULL FEATURES	
WAP browser release	2.0
Download protocol	WTP SAR
Built in Hands Free	Yes
Vibrating device - Silent Mode	Yes
Softkeys (programmable)	Yes (6)
Predictive input (Y/N + type)	Yes (T9)
IMPS	No
EMS	Yes (R5)
MMS	Yes (Nokia Ericsson Conformance Doc V2.0)
Calendar	Vcal standard
Phonebook	Vcard standard

ENTERTAINMENT / FUN FACTS	
MServices	Yes
Bookmarks inserted in wallpapers and ringtones menus	Yes
Icons	up to 50 (30 minimum embedded)
Wallpaper or fix screensaver	up to 30 (10 minimum embedded)
Animated Screensaver	Yes (1 minimum embedded)
Power ON and OFF animations	Yes
Photos	Yes
Videos	No
Ringtone	Yes (40 minimum embedded)
Games embedded	2
Games to download	Yes
Java	Yes (MIDP2.0)
Interchangeable covers	Yes (front&back)

MULTIMEDIA	
Picture display formats	bmp, jpeg (baseline & progressive), png (fixed & interlaced), gif fixed & animated)
Picture record formats	jpeg
Audio playback formats	iMelody1.2, Midi, spMidi, Wave (pcm, adpcm, 11025Hz), AMR (narrowband)
Audio record format	AMR (narrowband)
Video playback formats	NA
Video record formats	NA
File reproduction	forward lock defined in DRM1.0

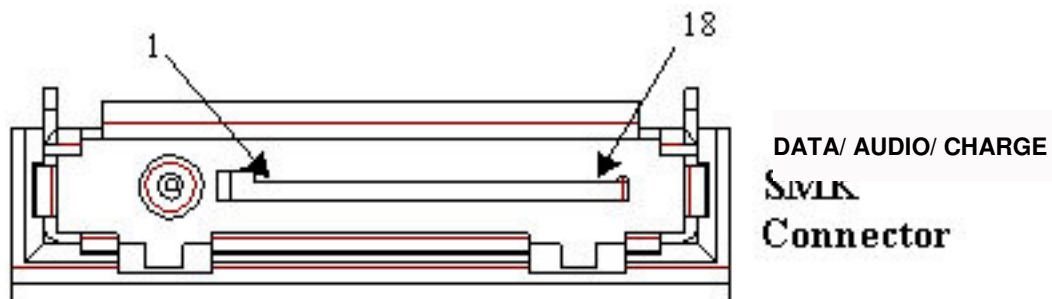
MEMORY	
Redial List / Notebook	up to 20positions
Personal Objects (including the 3 games, the ringtones, wallpapers and screensavers, power ON and OFF videos, messages, voice memo, phonebook and calendar)	3 Mbytes

DATA TRANSMISSION	
USB	Yes
Infrared	Yes
Integrated modem (and fax application)	Yes

2.3 DATA/ AUDIO/ CHARGE CONNECTOR

2.3.1 Connector description

This connector is located at the bottom of the transmission module and enables the connection to various accessories. It comprises power supply pins and signals.



2.3.2 Signal description

SYMBOL	PIN CONNECTOR No.	SIGNAL FUNCTION	NATURE E/S, Ai, Ana
CHARGEUR	1	Phone set power ON and power supply signal.	POWER SUPPLY
VBAT	2	POWER SUPPLY IMAGE VOLTAGE, connect this signal to «CHARGER» (pin n°1) to switch the module on.	POWER SUPPLY OUTPUT
ON*	3	SIGNAL RESERVED FOR USE BY SAGEM (car handsfree kit).	OPEN DRAIN OUTPUT
VPP	4	Flash programming voltage	POWER SUPPLY
SDAI2C	5	DATA SIGNAL RESERVED FOR SAGEM SPECIFIC ACCESSORIES.	LOGICAL INPUT/OUTPUT
GND	6	ZERO VOLT	SIGNAL GROUND
SCLI2C	7	CLOCK SIGNAL RESERVED FOR SAGEM SPECIFIC ACCESSORIES.	OPEN DRAIN INPUT/OUTPUT
INTI2C	8	INTERRUPT SIGNAL RESERVED FOR SAGEM SPECIFIC ACCESSORIES.	LOGICAL INPUT

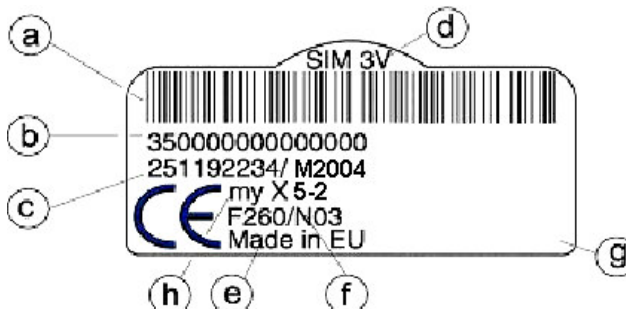
USB_DM	9	USB INTERFACE DIFFERENTIAL DATA	LOGICAL INPUT
RXD1	10	SERIAL DATA TO BE TRANSMITTED.	LOGICAL INPUT
TXD1	11	SERIAL DATA RECEIVED.	LOGICAL OUTPUT

SYMBOL	PIN CONNECTOR No.	SIGNAL FUNCTION	NATURE E/S, AI; Ana
USB_DP	12	USB INTERFACE DIFFERENTIAL DATA	LOGICAL INPUT
ITDATA	13	Interruption signal keep for SAGEM accessories.	LOGICAL INPUT
GND	14	ZERO VOLT.	SIGNAL GROUND
HSOR	15	STEREO AND MONO AUDIO OUTPUT	ANALOG OUTPUT
HSOL	16	STEREO AND MONO AUDIO OUTPUT	ANALOG OUTPUT
HSCMICN (BFTXN)	17	DIFFERENTIAL INPOUT FOR EXTERNAL MICROPHONE	ANALOG INPUT
HSMICIP (BFTXP)	18	DIFFERENTIAL INPOUT FOR EXTERNAL MICROPHONE	ANALOG INPUT

2.4 IDENTIFICATION

All phones are identified with an identification label stuck on the antenna.

2.4.1 Illustration

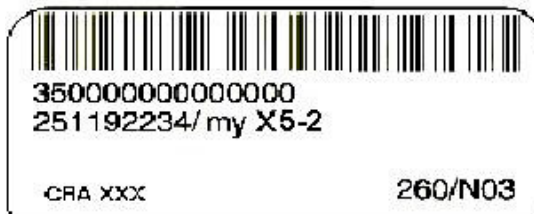


2.4.2 Description

- a : IMEI (bar code),
- b : IMEI (15 characters)
- c : Reference of product / aesthetic used .
- d : Sim card Indication (Sim 3V...),
- e : Production area Indication,
- f : Production date (date code) + Production level,
 Ex. F260/03 = (F) fabrication area (F : Fougères), (260) day of year, (03) last digit of year (03→2003).
- g : Logo and agreement.
- h : Product designation

2.4.3 Description after repair

A new sticker is positioning by Repairing Centre on the antenna:

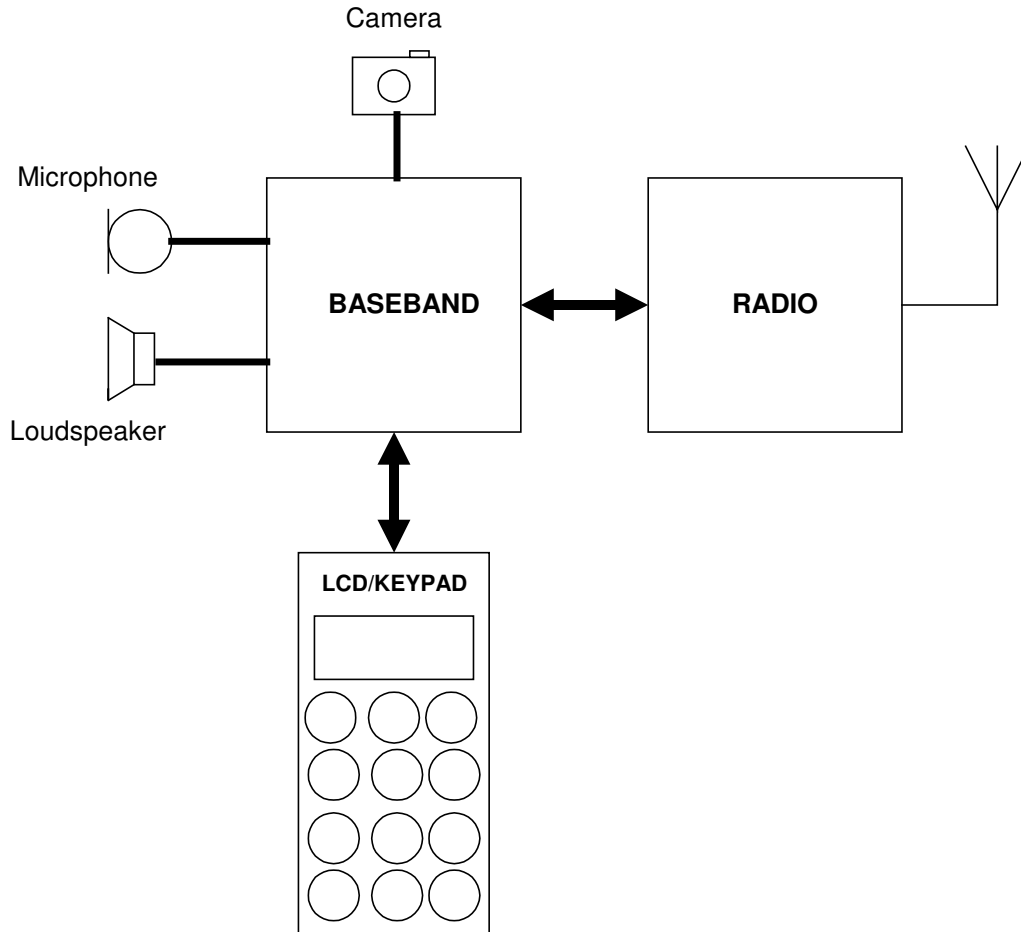


This extra line will appear if the mobile has already been repaired.

- **CRA XXX** ⇒ N° of CRA,
- **260/03** ⇒ Date of repair (260), repairing day (03), last digit of year (03→2003).

2.5 PHONE BLOCK DIAGRAM

2.5.1 myX5-2/ myV-55 block diagram



2.5.2 Standards and environment

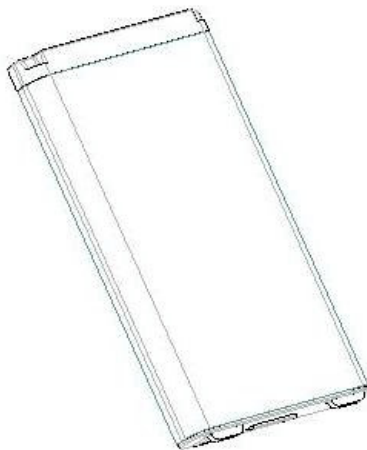
The phone complies with the following standards.

Directive EEC	1999 / 5 / CE
Safety (security)	EN 60950
CEM	EN 301 489-1 / EN 301 489-7
Voltage	73 / 23 / EEC
Network	3GPP TS 51.010-1 v 5.2.0 with included GCF-CC V 3.10.0 Requirements GT01 v 4.7.0 / TBR 19 edition 5 / TBR 20 edition 3 TBR 31 edition 2 / TBR 32 edition 2 / EN 301 419-1 / EN 301511
Health	EN 50360 / EN 50361

2.6 EQUIPEMENTS

The description and operation of SAGEM myX5-2/ myV-55 are given in the "User's handbook" supplied with the handset. This chapter only describes equipment that operates with the myX5-2/ myV-55 handset.

2.6.1 Battery packs



2.6.1.1 Characteristics

Technology	Weight	Voltage capacity
Li-ion	26g	3,7V/ 920mAh

2.6.1.2 Description

Li-ion type batteries are used. They are rechargeable using:

- mains power supply modules,
- 12 V / 24 V, cigar lighter chargers,
- car hands free kits (compact and comfort),
- Power supply data.

Batteries caution use:

- Store the batteries in a dry and cool place (excessive cold and heat damage the batteries reliability).
- They must never be stored in bulk, even the rejects, to avoid any short circuits.
- Do not dismantle the battery packs. (Li-Ion regulations).
- Only use original mains power supply module.

2.6.1.3 Charging time

The following table shows typical charging times for different batteries.

Battery	500 mA travel chargers	AC* and K** chargers	"Simple" unregulated chargers 230 V Nom. (110 V Nom.)		Astec Low-cost
Li-ion	94 V to 254 V		230 V (110 V)	254 V (121 V)	230V
	2h30	2h30	4h30	3h45	3h30

* : cigar lighter chargers (12 V et 24 V)

** : car hands free kits (Values screen off).

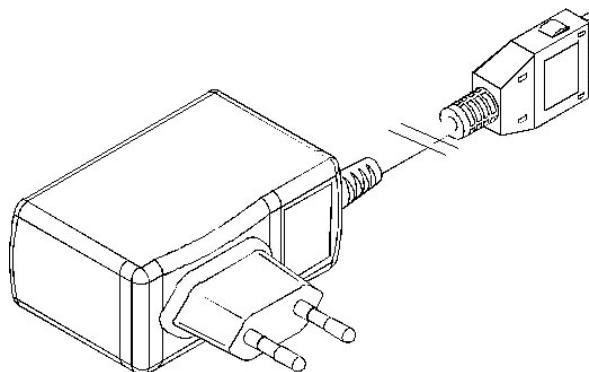
2.6.2 Mains modules

2.6.2.1 Description

These mains power supply modules accept large dynamic variations in the power supply network. They are available for a number of connector types:

- E.E.C,
- United Kingdom
- United States,
- Australia.

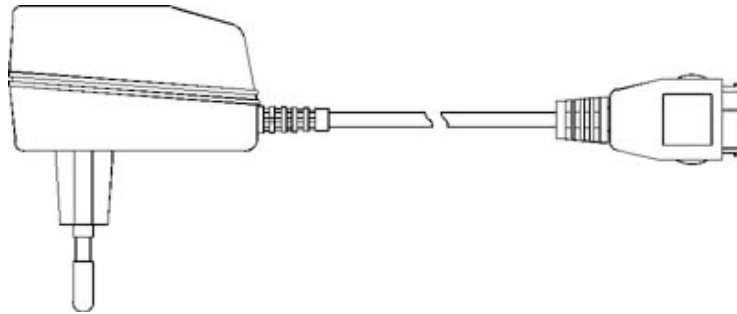
2.6.2.2 Travel mains modules



Designation	Weight (g)	Vol (cm ³)	Primary voltage
<i>UNREGULATED TRAVEL MAINS POWER SUPPLY MODULES 6.5 V. 500 mA.</i>			
TRAVEL 500 mA. EC	100	75	110/230 V
TRAVEL 500 mA. UK	110	90	110/230 V
TRAVEL 500 mA. US	125	65	110/230 V

TRAVEL 500 mA. AUS	100	75	110/230 V
--------------------	-----	----	-----------

2.6.2.3 Mains modules



Reference	Weight (g)	Vol (cm ³)	Primary voltage
<i>SIMPLE UNREGULATED MAINS POWER SUPPLY MODULES 1.5 VA. 12V. 300 mA.</i>			
EC MAINS MODULE	180	85	230 V
UK MAINS MODULE	180	120	230 V
US MAINS MODULE	210	105	110 V
AUS MAINS MODULE	190	105	230 V

CHAPTER 3 - SYMPTOMS

3.1 GENERAL

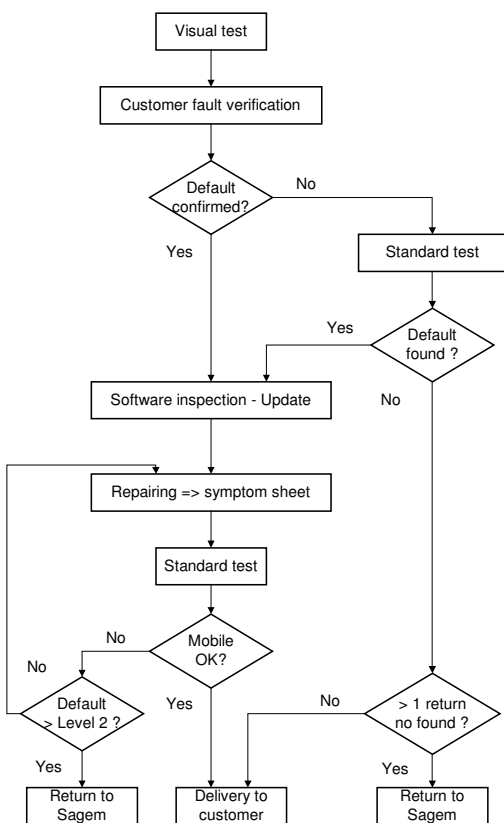
After you have received the **customer return sheet** ([Proc Sheet 3 02](#)), carry out the troubleshooting procedure.

This chapter will help you to identify the defective element(s), using the troubleshooting table.

It contains flow charts broken down by fault type. Each flow chart describes the procedure to be followed and contains cross references to tests or maintenance.

The conclusion of each troubleshooting procedure is :

- Return to SAGEM =The Return to the SAGEM centre can concern either the card, or the radiotelephone according to instructions given to the Centres of repair.
- Delivery to the customer



Visual test :

- Glass state
- Keypad state (elastomer, inscription)
- Connector state (DATA/ AUDIO/ CHARGE, battery, SIM)
- Plug and position of battery
- SIM card position
- Oxidation

Standard test :

- Display test : Hot Line menu
- Contrast control
- Photo function test
- All keypad keys test (check bips keys)
- Audio and radio test
- Battery charge test
- Consumption of mobile in off state
- Vibrating device test : Hot Line menu
- Charger test
- Real call with a operator SIM card

These flow charts should be followed in full. After a reference to a removal/replacement sheet or to a test to be carried out, you should return to the initial flow chart and continue the search until reaching a final conclusion.

3.2 LIST OF REPORTED DEFECTS

The following is a list of defects that may be reported :

Code	Indicated fault	Procedure
A1	No power up	Symp Sheet 01
A2	No display up	Symp Sheet 04
A3	Freezes up	Test Sheet 01
A5	Broken LCD	Symp Sheet 04
A6	Line or digit missing	Symp Sheet 04
A7	Backlights problem	Proc Sheet 1 08 or 3 01
A10	Broken / Missing antenna	Proc Sheet 1 08 or 3 01
B1	Defective battery contact	Proc Sheet 0 02
B2	Defective mobile charger connector	Proc Sheet 1 08 or 3 01
B3	Defective power supply of the board	Proc Sheet 1 08 or 3 01
B4	Defective charge icon display	Proc Sheet 1 08 or 3 01
B5	Current consumption with phone off	Test Sheet 04
B7	Autonomy	Symp Sheet 01
B8	Electrically defective battery	Test Sheet 03
B9	Mechanical lock problem on battery	Proc Sheet 02
B10	Broken battery	Test Sheet 03
B11	Defective charger	Test Sheet 02
B12	Broken charger	Test Sheet 02
B13	Intermittent switch off with reboot	Proc Sheet 1 08 or 3 01
B14	Intermittent switch off without reboot	Proc Sheet 1 08 or 3 01
C1	Not functioning keyboard	Symp Sheet 05
C2	Lateral key problem	Symp Sheet 05
D1	Sim missing	Proc Sheet 1 08 or 3 01
D2	Other messages	Proc Sheet 1 08 or 3 01
D3	EEPROM problem	Proc Sheet 1 08 or 3 01
D4	Untuned mobile	Proc Sheet 1 08 or 3 01
D5	Hard failure	Proc Sheet 1 08 or 3 01
D6	Sim verrou	Proc Sheet 1 08 or 3 01
D7	Post code blocked	Test Sheet 01
D8	SAV return	Proc Sheet 1 08 or 3 01

D9	Unknown battery	Test Sheet 03
----	-----------------	-------------------------------

Code	Indicated fault	Procedure
E1	Defective loudspeaker (hails)	Symp Sheet 08
E2	Loudspeaker voice distortion	Symp Sheet 08
E3	Defective microphone	Symp Sheet 08
E4	Microphone voice distortion	Symp Sheet 08
E5	Vibrating device problem	Symp Sheet 07
E6	Defective audio connector	Symp Sheet 08
F1	No network retrieval	Symp Sheet 02
F2	Intermittent calls drop	Symp Sheet 02
F4	Test radio no ok	Proc Sheet 1 08 or 3 01
F5	Outgoing call failure	Symp Sheet 02
F6	Incoming call failure	Symp Sheet 02
F7	Network temporary drop	Symp Sheet 02
G1	Broken or damaged glass	Proc Sheet 0 03
G2	Broken or damaged cover	Proc Sheet 0 01 /0 03
G3	Broken or damaged flip	Not applicable for myX5-2/ myV-55
G5	Broken or damaged keyboard	Proc Sheet 0 04
G6	Defective lock button	Proc Sheet 0 05
H1	Broken or damaged accessory	Proc Sheet 1 08 or 3 01
H2	FM function	Proc Sheet 1 08 or 3 01
H3	Monetic function	Proc Sheet 1 08 or 3 01
I1	Oxidation marks	Proc Sheet 1 08 or 3 01
I3	No fault found	Symp sheet 03
I5	Lack function in the menu	Test sheet 01
I6	Defective SIM connector	Proc Sheet 1 08 or 3 01
I7	Malfunction of the menu	Test sheet 01
I8	Mobile retrofit	Test sheet 01
K1	DATA PROBLEM (SMS, EMS, SMS,GPRS, WAP, DOWNLOADING GAMES, RINGING TONES, SCREEN SAVER, NO COMMUNICATION WITH A PC, POCKET PC or PALM)	Test sheet 01
K2	Video function	Test sheet 07
K3	INFRARED function (IRDA)	Test sheet 01

3.3 ERROR MESSAGES DURING START UP

<i>Message</i>	<i>Meaning</i>	<i>Procedure</i>
WARNING UNTUNED RADIO	Invalid EEPROM field (SAGEM)	SAGEM Factory Return
PB IMEI	Consistency problem at IMEI level	SAGEM Factory Return
SIM MISSING	SIM card missing or badly inserted	Insert the SIM card
IMEI ERROR	Consistency problem at IMEI level	SAGEM Factory Return
UNTUNED	Mobile not configured	SAGEM Factory Return
UNKNOWN BATTERY	Battery not recognised by the mobile	Replace the battery
MOBILE PHONE LOCKED	Number of seizures of sim locked code exceeded	SAGEM Factory Return Not repair under warranty
SIM BLOCKED	Three bad PIN codes have been input	Contact the operator
SIM LOCKED (with SIM)	SIM card not adapted to the operator	Replace the SIM card
SIM LOCKED (without SIM)	Attempt of corruption (EEPROM fields)	SAGEM Factory Return Not repair under warranty
BATTERY TOO LOW	Battery state	Replace the battery

Note: SAGEM factory return can concern either the card, or the mobile, according to instructions given to the CRAs.

3.4 OTHER ERROR MESSAGES

<i>Message</i>	<i>Meaning</i>
"BUSY"	"Problems" related to the network and Communications
"K.PAD LOCKED PRESS *V"	Keypad locked
"OPTION NOT AVAILABLE"	Menu not available for this product version
"PROG.KEY NOT VALID"	Input "Problems"
"ERROR!!"	Calculation error with the calculator (division by zero)
"NOT REACHABLE"	Call forwarding if the mobile is not reachable
"NOT AVAIL."	Not available
"PIN ERROR"	" PIN input problems "
"PIN2 BLOCKED"	Following input errors
"PUK ERROR"	Following input errors
"PUK2 BLOCKED"	Following input errors
"CODE ERROR"	The phone code input for locking the mobile is incorrect
"NOT AVAIL."	Service not implemented in the network

"TRY AGAIN"	Following a network problem
<i>Message</i>	<i>Meaning</i>
"NETWORK BUSY"	"Problems" related to the network and Communications
"WAIT"	"Problems" related to the network and Communications
"UNBLOCK?"	"Problems" related to the SIM card
"MEMO REC. CUT"	Save during storage in the answering machine truncated due to lack of space
"FUNCTION NOT ALLOWED"	Prohibited function requested
"NOT FOUND"	Unsuccessful search (on directory, etc.)
"BUSY"	"Problems" related to the network and Communications
"REJECTED"	The requested operation was refused by the network
"EMPTY"	Empty (note pad, memo, etc.)
"NOT IN GROUP"	Error display following an error code returned from the network (CUG menus)
"CREDIT END"	"Credit end" information (paying call prohibited)
"CREDIT TOO LOW"	"Credit too low" information (CUG menus)
"NO AUTHORIZED ACTION DURING A WAP CALL"	Not available action during a wap call
"NOT CONFIGURED ACCESS"	Selection of a not configured provider
"UNKNOWN ACCESS"	Selection of a not fully configured provider
"UNKNOWN CALL IN PROGRESS"	Selection of a provider during a call in progress
"NO RESPONSE OF THE SERVER"	" Problems" related to the server
" NO RESPONSE OF THE NETWORK"	"Problems" related to the network and Communications
"NOT AVAILABLE NETWORK"	"Problems" related to the network and Communications
"TOO LONG URL ADDRESS"	The address typed is too long

3.5 LIST OF OBSERVED DEFECTS


A SAGEM code is assigned to each confirmed defect. This code should be entered on **Proc Sheet 3 01, SAGEM Factory Return**, if the phone to be repaired is returned to SAGEM (**see chapter 5**).

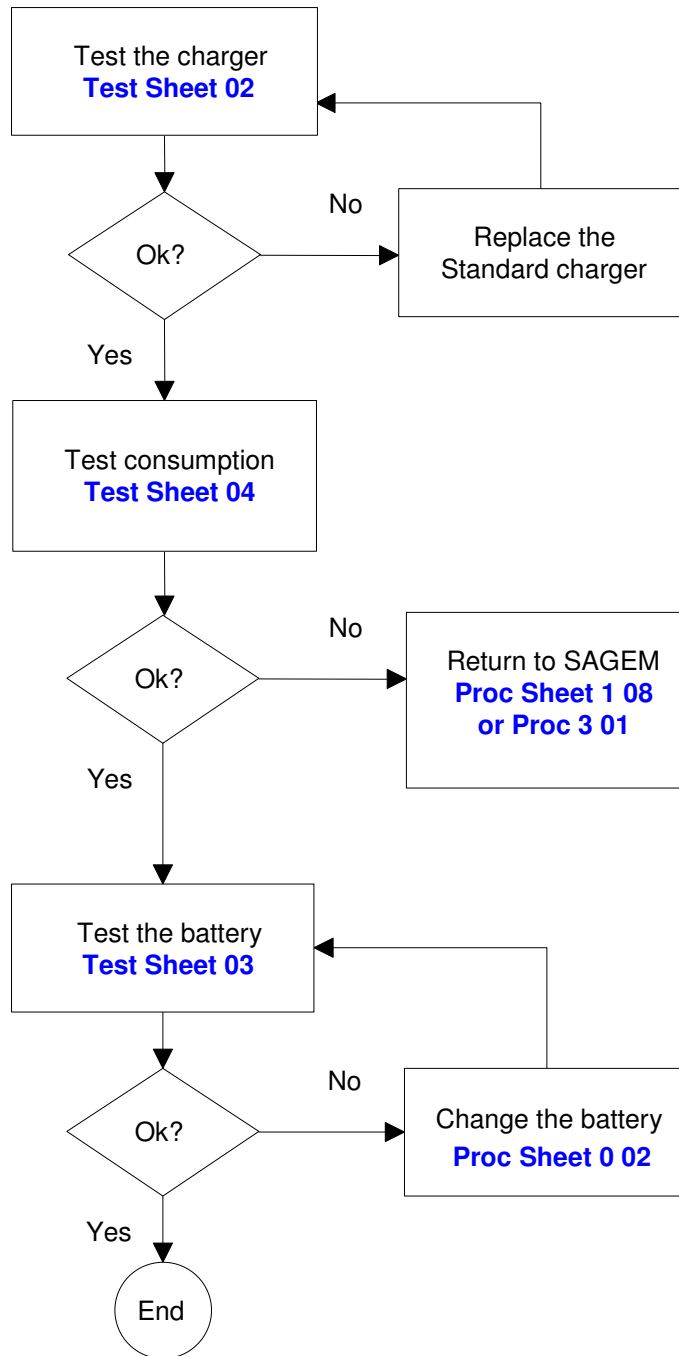
3.6 INFORMATION ABOUT NEW NOTICED FAULTS


Detection by the repair center of new fault shall induce to respect the following procedure

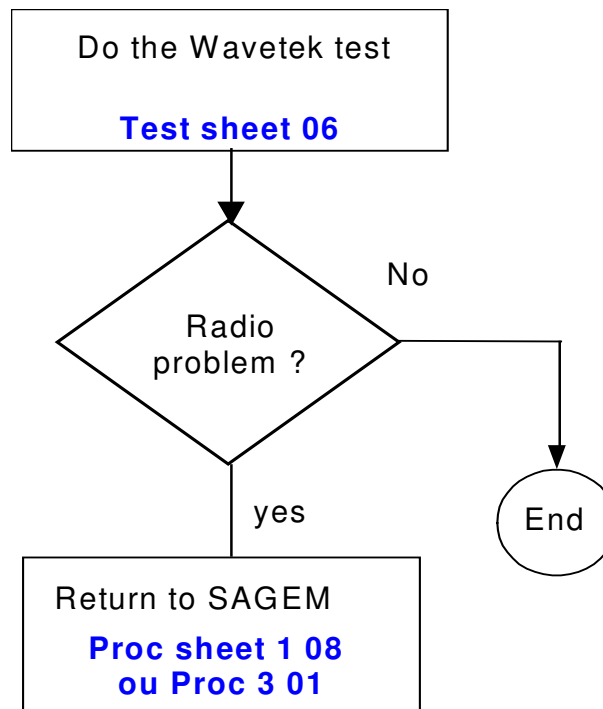
- a) The concerned technician fills a precise report using the document NPD report **SAV GSM 277 V1**
- b) Then, this document is transmitted by email to the concerned Area Manager or Support Engineers for approval. Accordingly, 2 ways are possible :
 - The problem is already known by SAGEM, then the mobile have to follow the normal process in ARC with eventual additional data given by AM or SE
 - Return of mobile to MTB is requested.
- c) In that second case, the ARC will have to request a specific RMA number for this mobile in order to facilitate the treatment when arriving in SAGEM.
- d) This mobile returned to SAGEM will be swapped following ARCs habitual process for MTB return but will be MANDATORY linked to a paper version of the document filled by the technician.
- e) The treatment will have to be reproduced on the daily report and will be considered as level 3. Specified fault code will be then the technically closest one of the noted one, in the grid given by SAGEM


SYMPTOM SHEETS

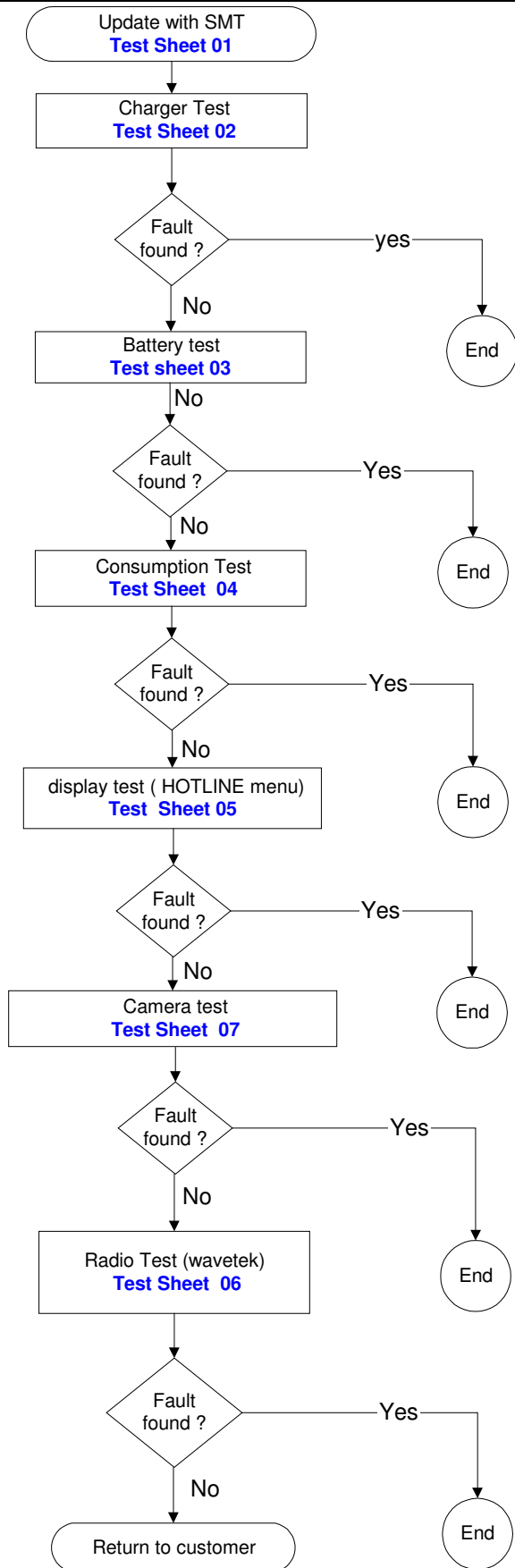
 SAGEM	ENDURANCE, BATTERY, CHARGER PROBLEM	Symp Sheet 01
myX5-2/ myV-55		1/1




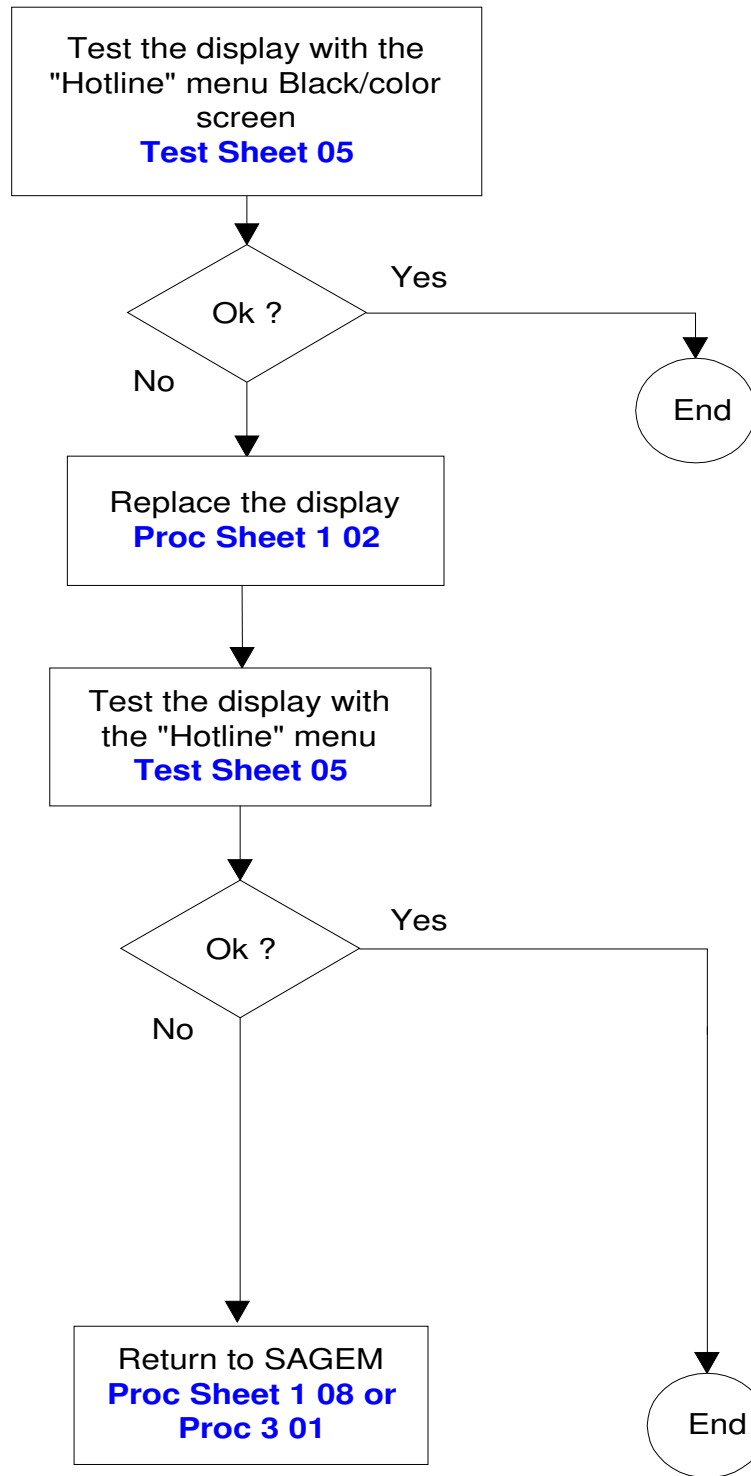
 SAGEM	COMMUNICATION PROBLEM	Symp Sheet 02
myX5-2/ myV-55		1/1




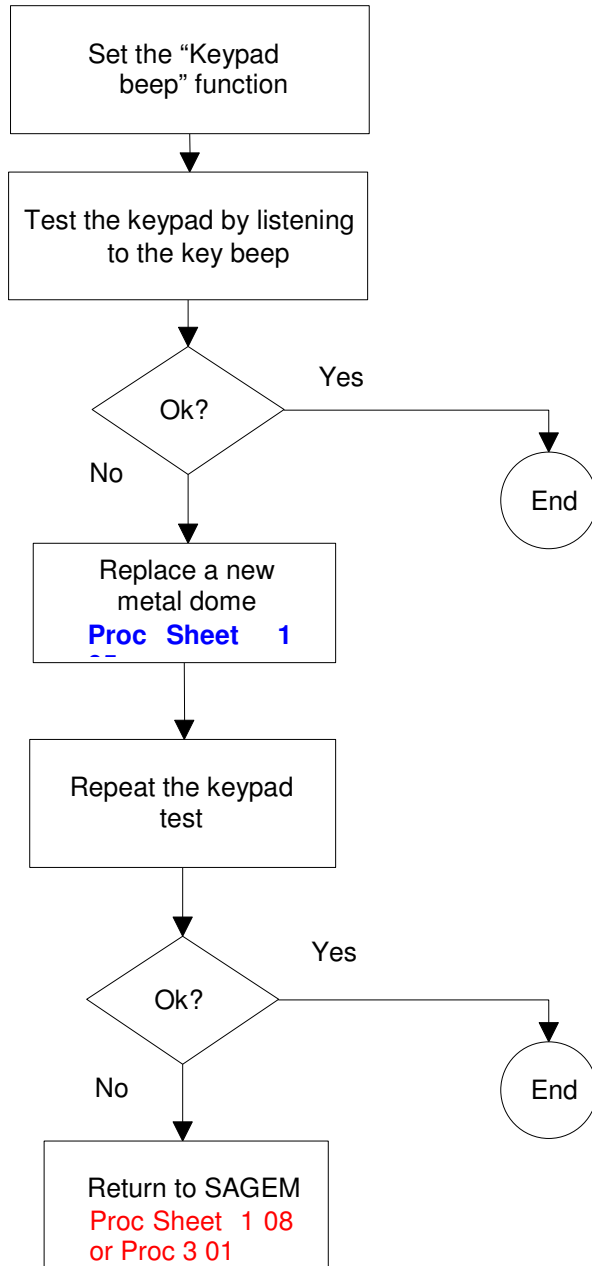
	NO FAULT GIVEN	Symp Sheet 03
myX5-2/ myV-55	(Expertise of the phone)	1/1




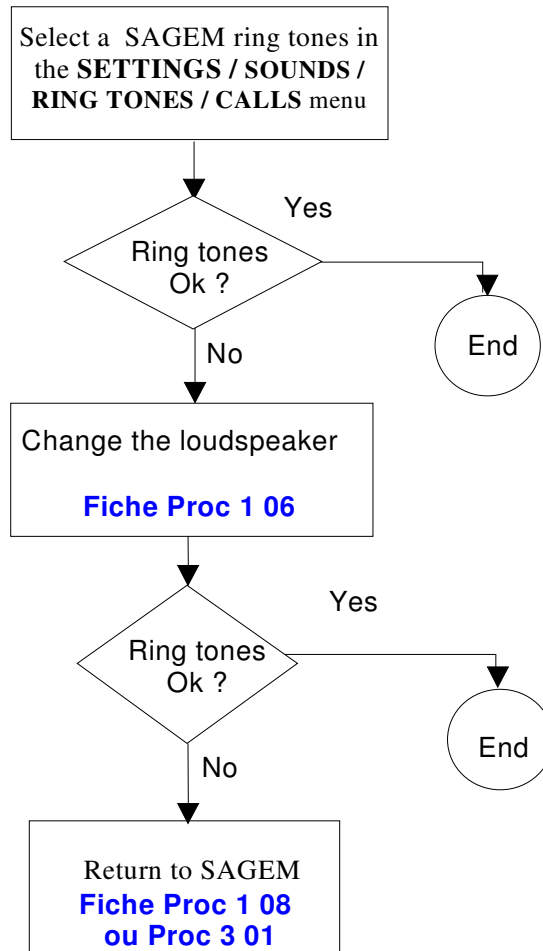
 SAGEM	DISPLAY PROBLEM	Symp Sheet 04
myX5-2/ myV-55		1/1




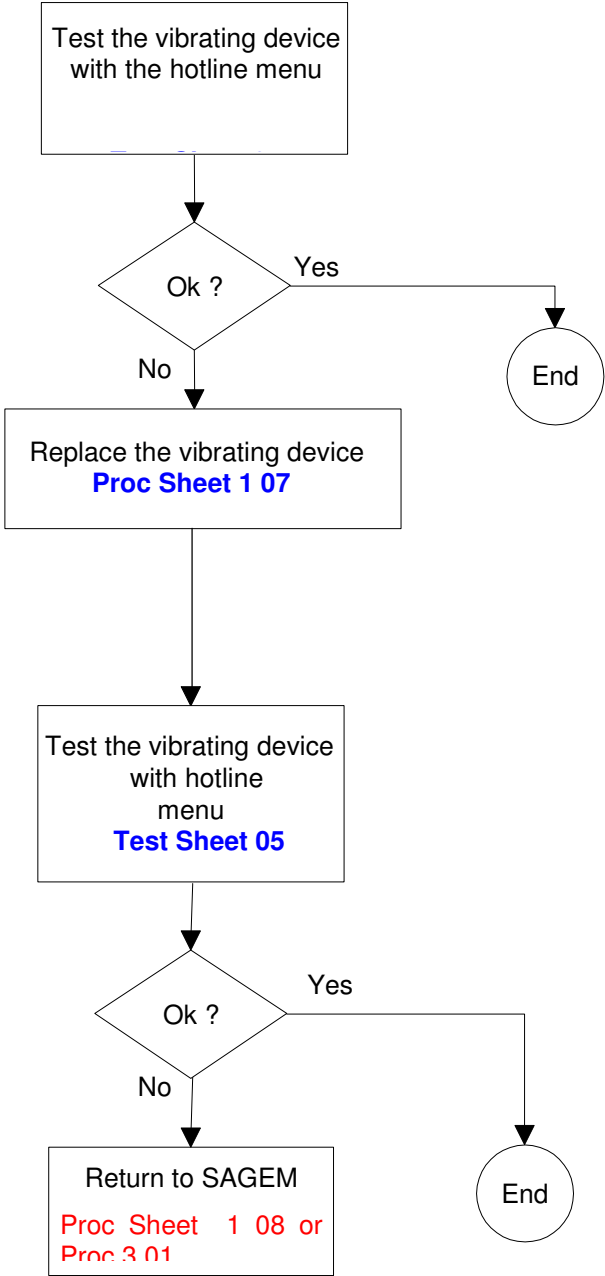
 SAGEM	KEYPAD PROBLEM	Symp Sheet 05
myX5-2/ myV-55		1/1




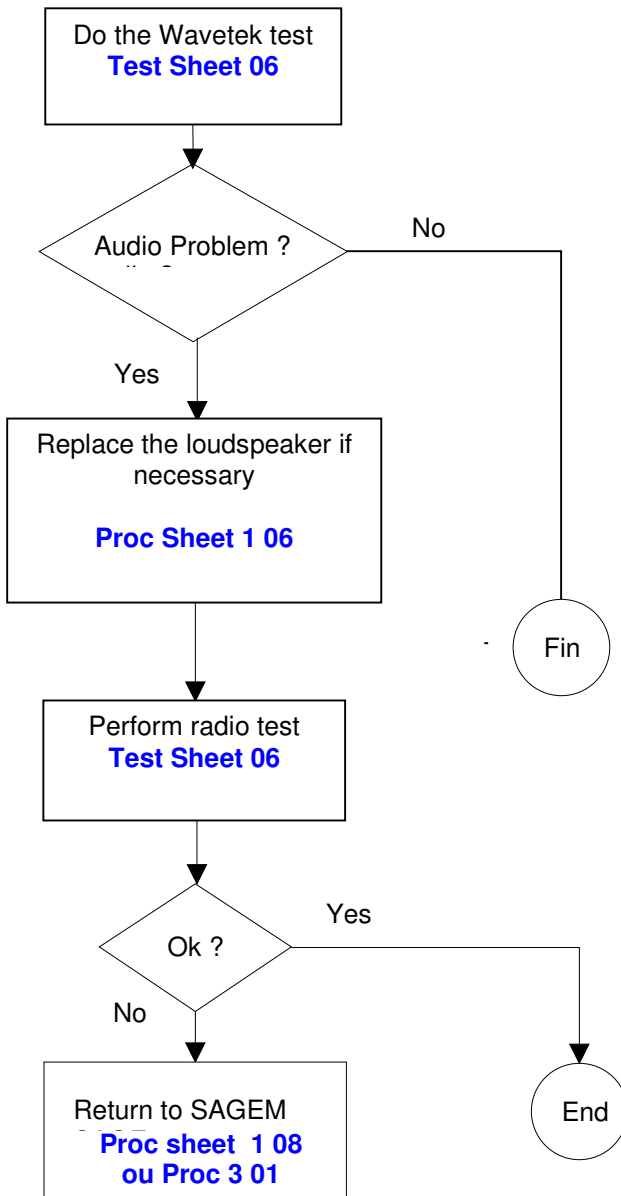
 SAGEM	RING TONES PROBLEM	Symp Sheet 06
myX5-2/ myV-55		1/1

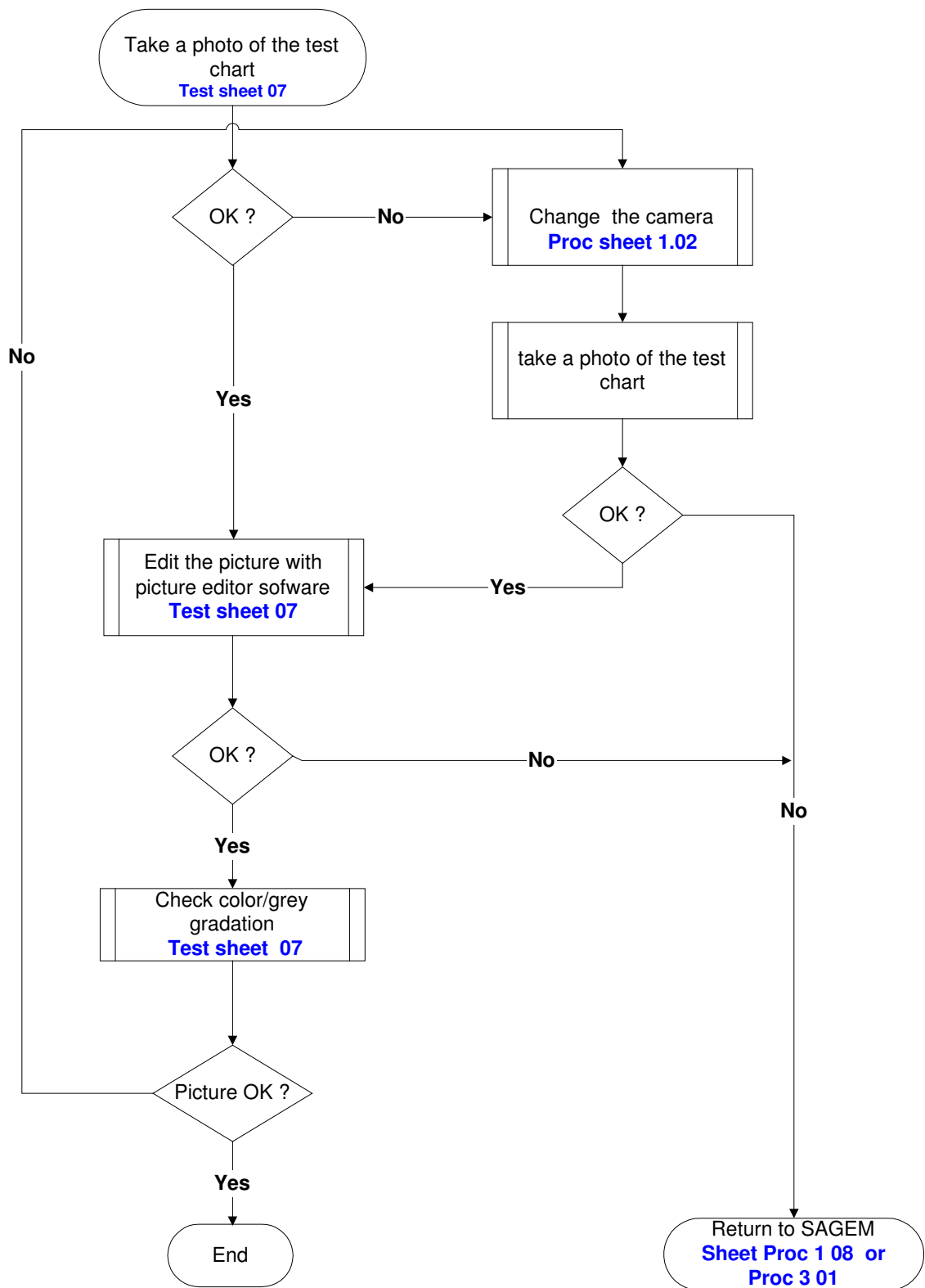


 SAGEM	VIBRATING DEVICE	Symp Sheet 07
myX5-2/ myV-55		1/1



 SAGEM	MICROPHONE OR LOUDSPEAKER PROBLEM	Symp Sheet 08
myX5-2/ myV-55		1/1





CHAPTER 4 - TESTS AND CHECKS

4.1 ABOUT TESTS

Tests and checks are made after the troubleshooting procedures (chapter 3) and before the maintenance procedures (chapter 5).

They are broken down into modules and are sorted by types of confirmed faults. The user must be equipped with special test tools in order to carry out the tests.

4.2 TEST TOOLS

The references of SAGEM tools, listed hereafter, are given in Appendix 1 : Composition table.

The following test tools are necessary :

1. a PC type computer,
2. the SMT maintenance software for the myX5-2/ myV-55
3. the **ARC downloading kit**, including the test case provided with:
 - the data cable (to PC),
 - the "DATA/ AUDIO/ CHARGE" cable,
 - the mains power supply module.
4. the **radio test bench**, provided with:
 - SIM card of test.
 - myX5-2/ myV-55 radio interface
 - Adjustable regulate power supply 0-15V / 4A
 - Wavetek 4107
- **CADEX C7000 / C7200 / ASTRATEK** with myX5-2/ myV-55 adapter
 - Charger test kit
 - Voltmeter (minimum impedance : 20 K Ω per Volt in DC)
 - Ammeter
- **A Test chart**
5. an **IMEI labels printing station**, including :
 - Printer,
 - Roll of labels,
 - Connecting cable for PC (parallel printer cable),
 - Printing software,

4.3 INSTALLING ON A WORKSTATION

4.3.1 Minimum required configuration

The minimum configuration of the workstation is :

6. Processor 1Ghz,
7. 128 Mbytes of RAM,
8. Windows NT (SP 4), Windows 2000, Windows XP,
9. 2.1 Gbytes hard disk (1 Gbytes available),
10. 1 parallel port and 2 serials ports.
11. network card, sound card.
12. 1 internet access,

4.3.2 Installing the ARC downloading kit

The ARC downloading kit interfaces the SMT software with the phone to be repaired.

13. Connect the 9-pin SUB-D connector to the PC serial port (COM1).
14. Connect the power supply module to the mains power outlet.
15. Connect the phone to be repaired to the DATA/ AUDIO/ CHARGE connector.


4.3.3 SMT functions

The SMT maintenance software can :

16. Download new software if needed
17. Configure default values and checks them.
18. Unblocked the " POST CODE "
19. Delete the customer directory and SMS
20. Print identification labels.
21. Make a electronic board exchange
22. Adjust the display contrast (not available for myX5-2/ myV-55)
23. Read the Site Technical Documentation (manual of repair)
24. Select a test sequence

The procedures for using these functions are described in [TEST Sheet 01](#).

TEST SHEET

 SAGEM	TEST AND CHECK BY SMT	Test Sheet 01
myX5-2/ myV-55		1/9

To run the functions described below, run the SMT application from the desktop icon.

Notice: The active connection with SMT (via the serial port), validate in itself the data functionality of the handset.

Download the latest software


Click on DOWNLOAD button.
Follow the procedures on the screen.
Make sure that the mobile phone is not in the sleep mode (press the Start key)

Release the " POST CODE"

Click on the CONFIGURE popup menu and then on RELEASE
Follow the procedures on the screen.

Print identification labels

Click on the on LABEL popup menu and then PRINT LABEL .
Follow the procedures on the screen


 SAGEM	TEST AND CHECK BY SMT	Test Sheet 01
myX5-2/ myV-55		2/9

SMT SEQUENCE : Series of the different functions under SMT (sequence of tests)

1. Click on SMT SEQUENCE popup menu.
2. Select the different functions you want to carry out then click on LAUNCH button.

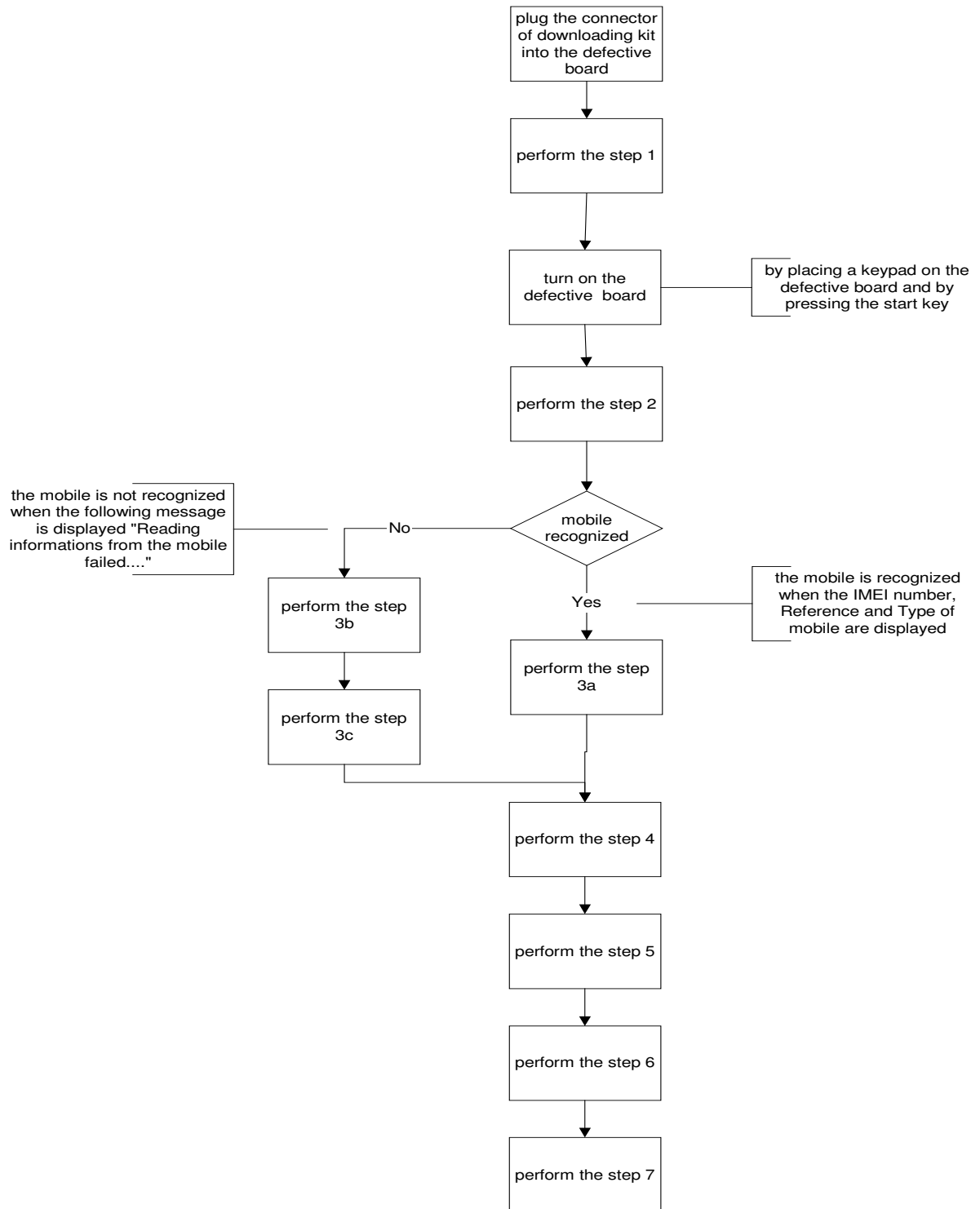
▪ **Electronic board exchange**


Click on the SWAP popup menu , then SWAP PROCESS
Follow the procedures on the screen

 SAGEM	TEST AND CHECK BY SMT	Test Sheet 01
myX5-2/ myV-55		3/9

SWAP : Electronic board Configuration

NOTA: The mobile shall have to be supplied during SWAP process.



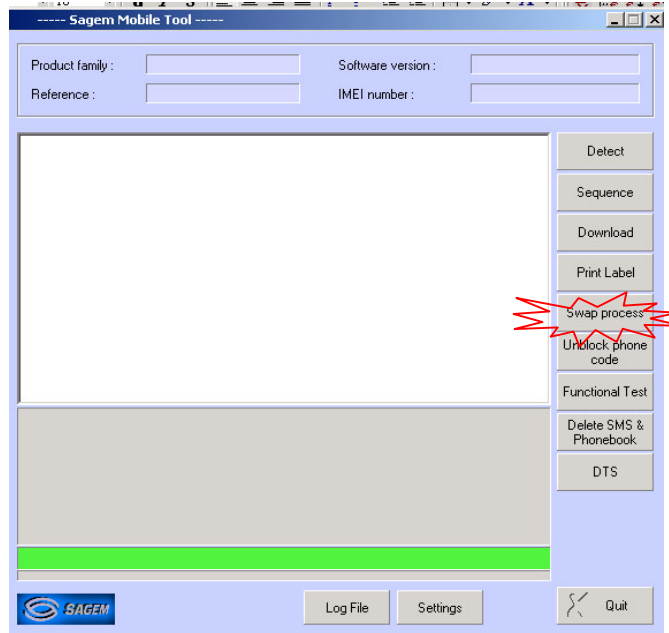
	TEST AND CHECK BY SMT	Test Sheet 01
myX5-2/ myV-55		4/9

Step 1

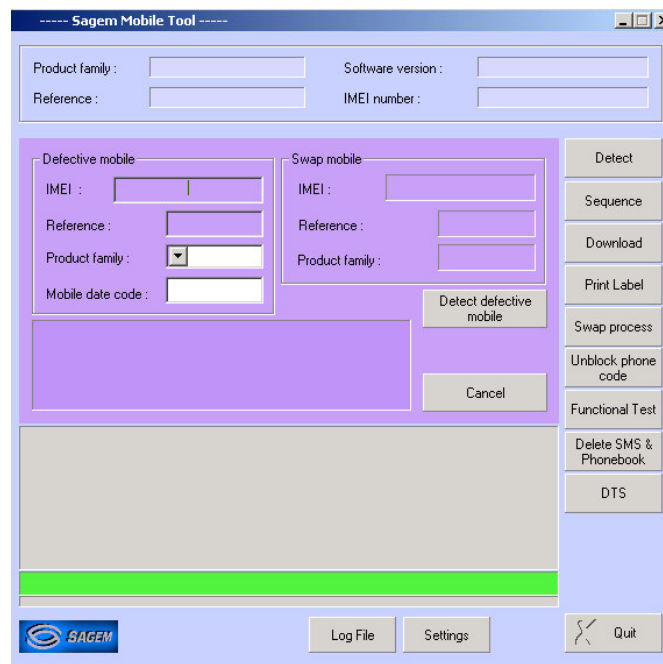
SMT Front page


Click on the « SWAP Process » menu.

Example



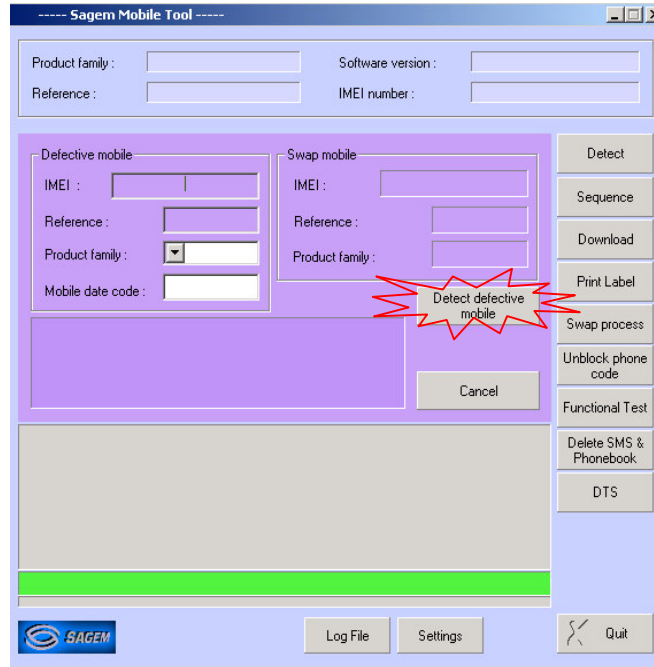
The following screen appears :



	TEST AND CHECK BY SMT	Test Sheet 01
myX5-2/ myV-55		5/9

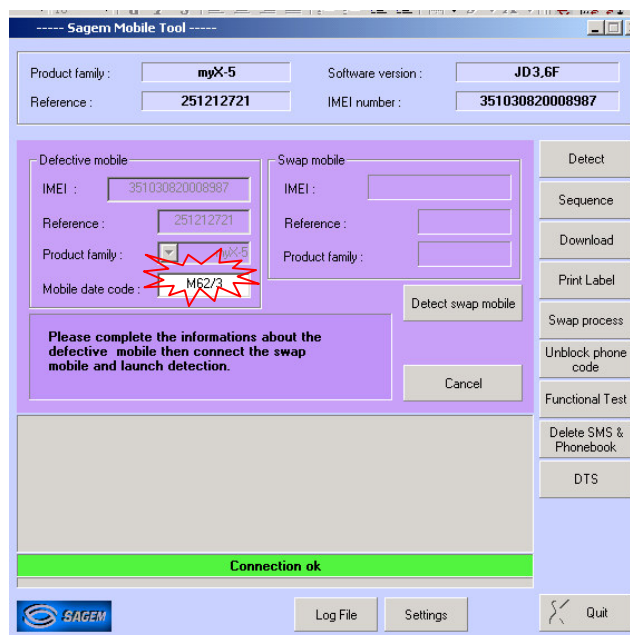
Step 2


Please click on « Detect defective mobile » button



Step 3a

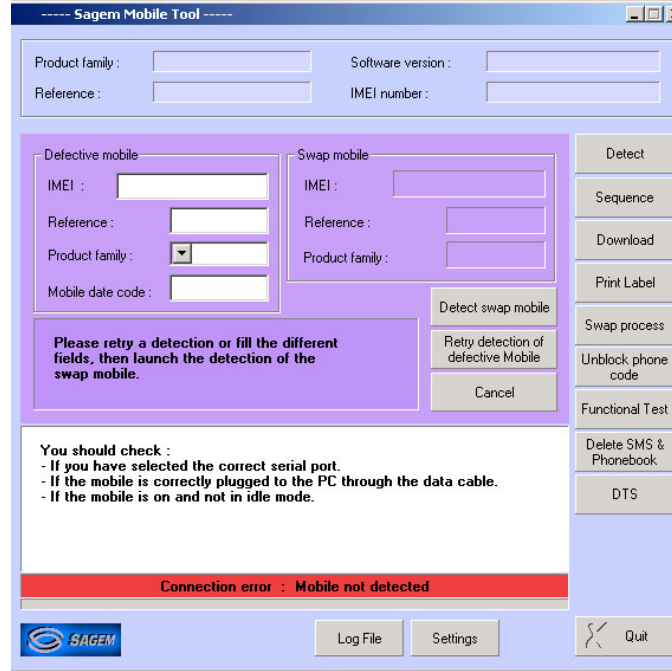
The following screen appears : the mobile is recognized. Then, enter the mobile date code



	TEST AND CHECK BY SMT	Test Sheet 01
myX5-2/ myV-55		6/9

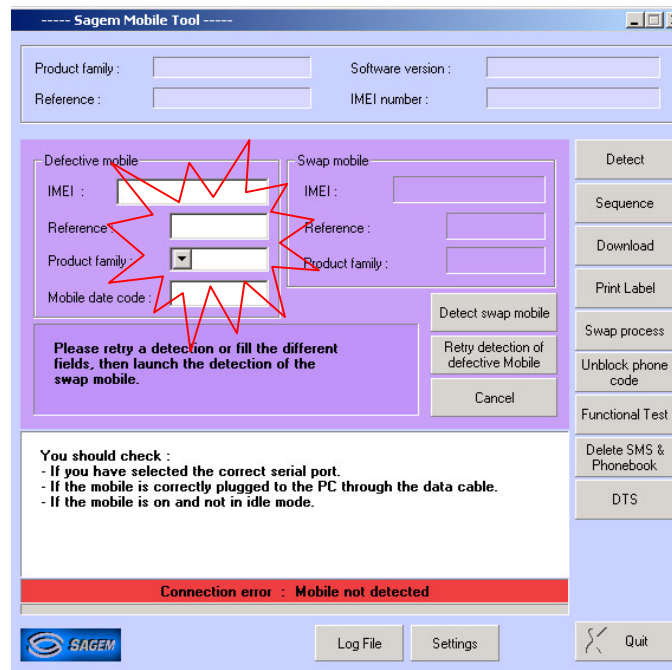
Step 3b


If this screen appears, the mobile is not recognized.



Step 3c

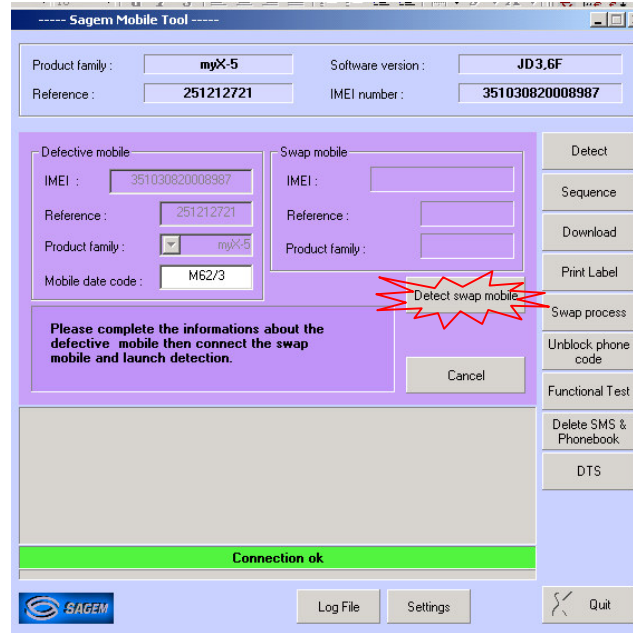
You must fill in the empty blanks requested according to the information written on the production label



	TEST AND CHECK BY SMT	Test Sheet 01
myX5-2/ myV-55		7/9

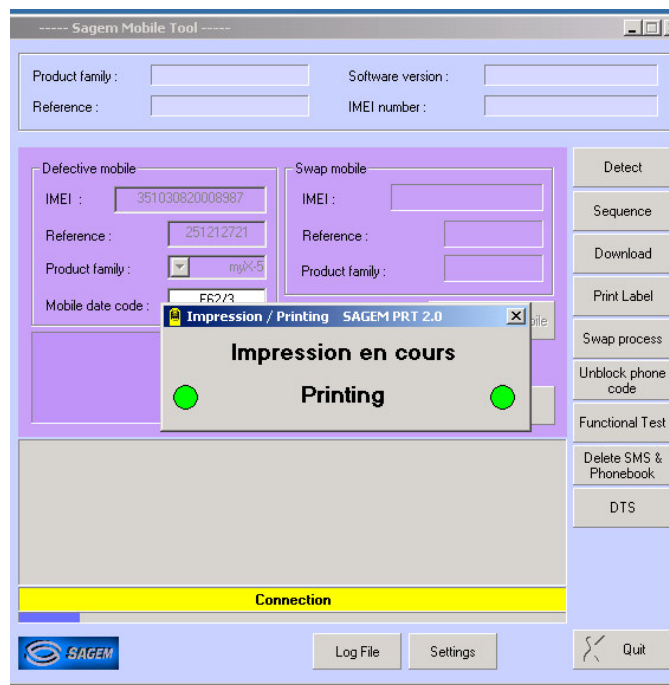
Step 4


Plug and switch on the new mobile, then push on the “Detect Swap mobile” button



Step 5

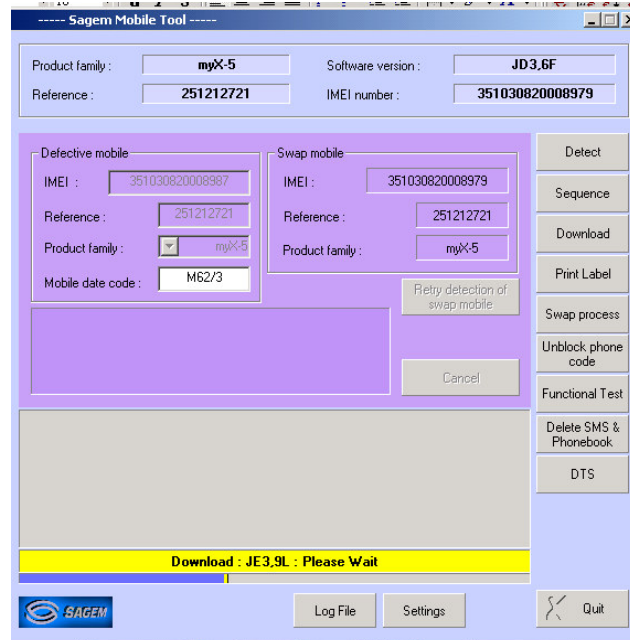
After clicking on “OK”, SMT prints the label which will be used to close the ESD bag of the defective board.



	TEST AND CHECK BY SMT	Test Sheet 01
myX5-2/ myV-55		8/9

Step 6

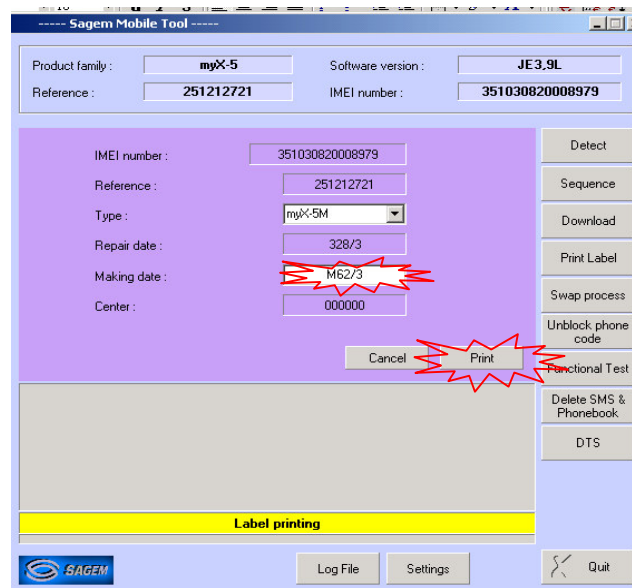
The downloading is starting if the mobile need to be updated




Etape 7

SMT opens the following screen to print the new label : please dial the “MAKING DATE” (Production date) written on the label of the defective mobile.

Then stick the new label on the functional mobile



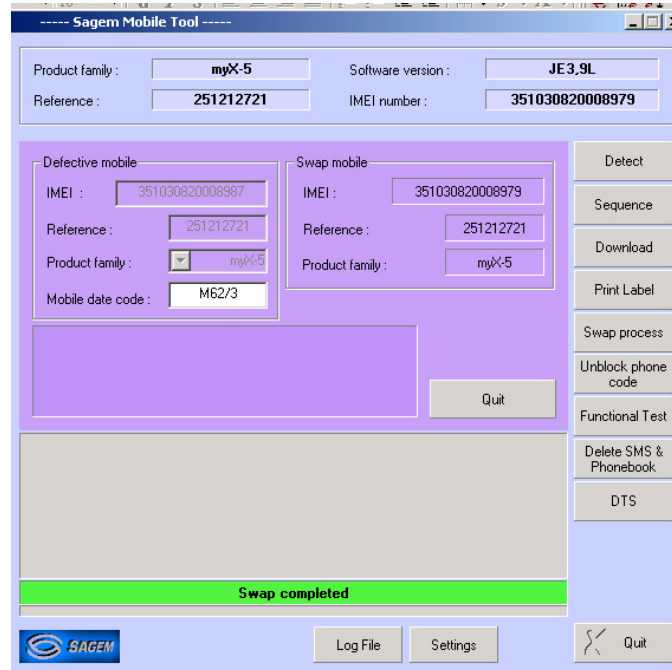
The swap board sequence is completed.


	TEST AND CHECK BY SMT	Test Sheet 01
myX5-2/ myV-55		9/9

RESULTS

When old mobile is recognized, the audio parameters from the defective mobile have been sent to the functional mobile.

When old mobile is not recognized, the DEFAULTS audio parameters are sent to the functional mobile



	CHARGER TEST	Test Sheet 02
myX5-2/ myV-55		1/1

Test description

This test checks the various battery chargers.

Required tools

- a voltmeter (minimum impedance 20 kΩ per Volt in DC),
- two sockets for banana connectors for connection to the voltmeter,
- the charger test kit.

Test procedure

Two terminals are used for measurements on the charger test kit

- red (+),
- black (-).

A pushbutton selects the measurement :

- at no load (released position),
- under load (pushed in position).

Check visually the charger connector.

Connect the charger to be tested to the back of the tester.


Connect the voltmeter using the two banana connectors.

Before starting any other measurement, check that the charger is correctly powered (main voltage conform with the charger specifications).

Make the two measurements.

Check the recorded values using the following board. If the values are not included in the min & max limits , then the charger is defective.

Charger	At no load		Under load	
	Min.	Max.	Min.	Max.
Travel 500 mA	5,5 V	7,5 V	2 V	4 V
Simple 300 mA	9 V	15 V	1,5 V	4 V
cigar lighter	5,5 V	7,5 V	2 V	4 V

 SAGEM	BATTERY TEST	Test Sheet 03
myX5-2/ myV-55		1/1

Test description

This test allows testing the various batteries.


Required tools

- CADEX C7000 / C7200 / ASTRATEK
- myX5-2/ myV-55 adapters,
- a voltmeter (minimum impedance 20 kΩ per Volt in DC).

Test procedure

1. Measure the battery voltage between the V poles
 - a) If the voltage < 2.5 Volts the battery is defective
 - b) if the voltage < 4v ,load the battery for 30 minutes with a travel charger and measure the internal resistance with a CADEX or ASTRATEK batteries testers
 - c) If the voltage > 4V measure the internal resistance with a CADEX or ASTRATEK batteries testers

Notice: Choose on the batteries tester ,the battery type (Li-ion) ,the nominal battery voltage (3,7V) and the battery capacity (920 mA)
2. Read the result :If the internal resistance < 300 mOhms the battery is **OK**
 >= 300 mOhms the battery is **defective**

 SAGEM	CONSUMPTION TEST	Test Sheet 04
myX5-2/ myV-55		1/1

Test description

This test tests the battery consumption.

Required tools

- myX5-2/ myV-55 false battery
- An Ammeter.

Test procedure

Measurement when switched off

1. Insert the myX5-2/ myV-55 false battery into the mobile.

Connect the ammeter to the false battery and connect to a power supply:

NOTE: The ammeter rating must be set to DC (DC or =), range 100 mA.

3. If the value indicated exceeds 1 mA ,the mobile is defective.

Measuring the charge

2. NOTE: The ammeter rating must be set to DC (DC or =), range 1 A.
3. Connect the customer's charger when energised (after connecting the charger to the mains power supply).
4. If the value indicated is lower than 150 mA ,the mobile is defective.

NOTE: When changing the ammeter rating (manual or automatic), the mobile can be disconnected.

 SAGEM	"HOTLINE" MENU	Test Sheet 05
myX5-2/ myV-55		1/1

Access to the "HOTLINE" menu

NOTE: "Hotline" menu is accessible with a valid SIM card

Access to the "HOTLINE" menu is possible with a powered up mobile.

The "HOTLINE" menu is accessed in main menu by long press on the * key.

Enter the corresponding code (bold) to choose the menu to be viewed.

To go out the "HOTLINE" menu, press successively on the **C** key to return at the operational screen of the mobile.

Description of the myX5-2/ myV-55 "HOTLINE" menu

- APPLICATION
 - VERSION: reads the installed software version and the IMEI code.
 - BATTERY: gives the value of the battery voltage.

- PROM : Not used.

- SIM LOCK : accesses the "SIM LOCK" menu (password required).

- LCD TEST
 - BLACK : displays the screen in black.
 - WHITE SCREEN
 - RED SCREEN
 - GREEN SCREEN
 - BLUE SCREEN
 - WHITE DRAUGHTBOARD
 - FOR PHOTO : displays functions on the screen to take a photo.
 - VIBRATING DEVICE : tests the vibrating device.

	RADIO TEST	Test Sheet 06
myX5-2/ myV-55		1/1

Test description

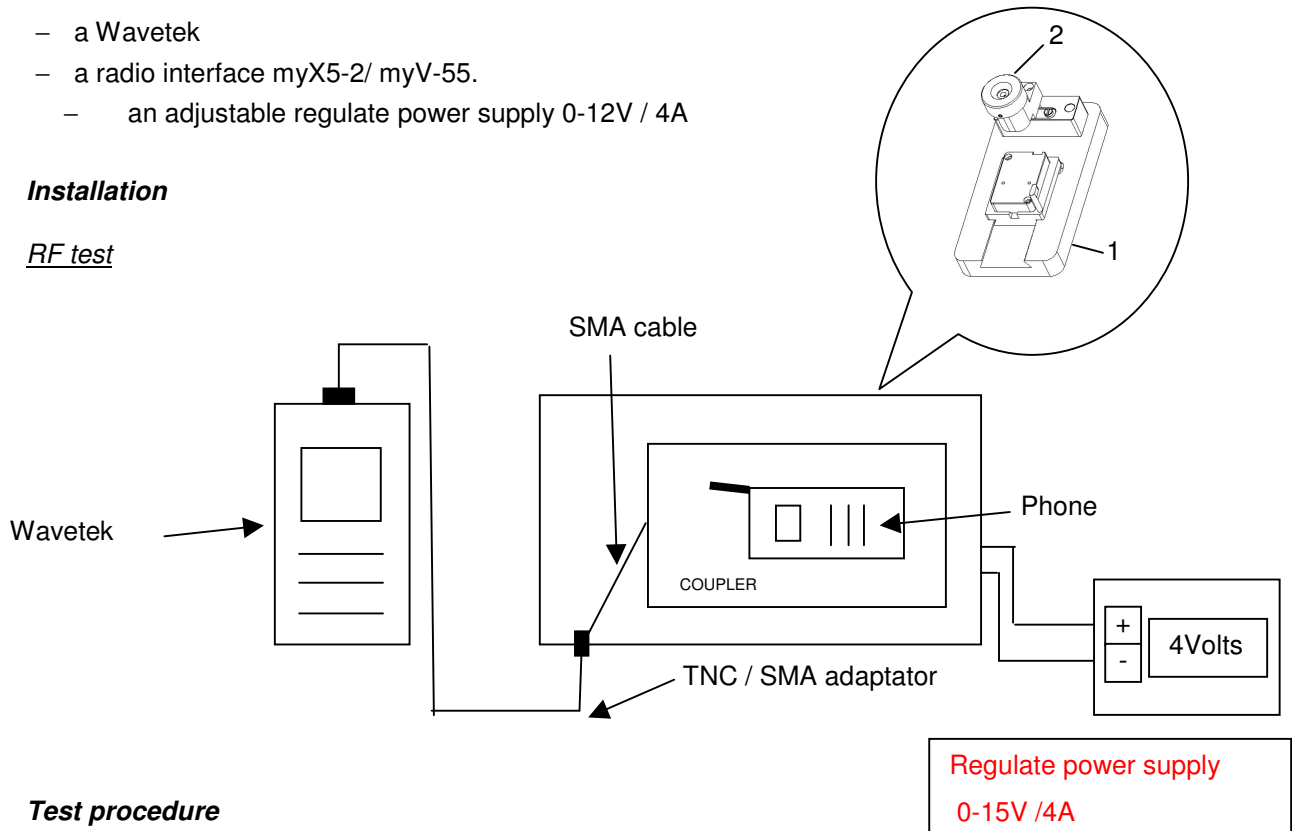
This test tests myX5-2/ myV-55 phones during a call.

Required tools

- a Wavetek
- a radio interface myX5-2/ myV-55.
- an adjustable regulate power supply 0-12V / 4A

Installation

RF test



Test procedure

1. Position the myX5-2/ myV-55 module on the radio interface (1) (provided with a SIM test card)
2. Put a keyboard on the module and press the start key
3. Press and lock the button (2) , press the start key
4. Switch the Wavetek on and press on "AUTOTEST".
5. Choose the corresponding program using the "UP" et "DOWN" arrows.
 25. Mobile :**myX5-2/ myV-55**,
 26. Frequency range : **GSM, DCS ,PCS (if used)**,
 27. Coupling type : **CABLE**.

Press "ENTER" and wait until the end of the calibration.

Follow the instructions shown on the Wavetek.

 SAGEM	RADIO TEST	Test Sheet 06
myX5-2/ myV-55		1/1

Test description

This test tests the good functioning of the myX5-2/ myV-55 photo function.

Required tools

- The test chart reference SAGEM
- A myX5-2/ myV-55 data link
- Pictures and sounds transferring software from mobile to PC (“My pictures and sounds.exe “ available on www.planetsagem.com)
- A JPEG files publishing software

Test precautions

-Camera function test has to make in a luminous environment

-Select the high resolution mode in the Settings / Photo / Size menus

- The lens must be clean .if not cleaned with a lint free wipe

Test procedure

- Put myX5-2/ myV-55 at about 30 cms of the color test chart in order to visualize test chart entirely (inactive zoom).
- Start photo by pressing on the dedicated touch.
- Save the photo in the mobile.
- Link myX5-2/ myV-55 with the data link (serial / USB/ IRDA), download the picture (by way of My Pictures and sounds software) on the computer.
- Open picture file by means of a JPEG editor.
- Check the Color / grey gradation presence

Remarks: This test aims to verify the good operating camera functions.

Results disparities, being able to be obtained by different situations (screen computer / ambient lighting / distance ...), do not allow to concern a qualitative judgment on the photo.

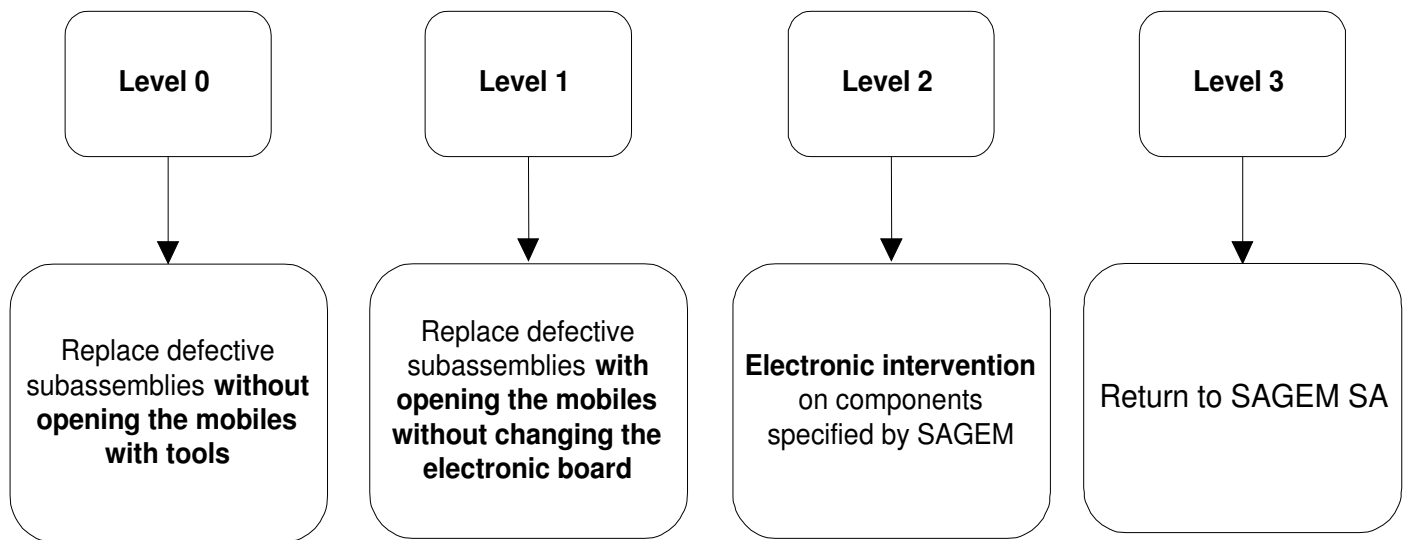
CHAPTER 5 - MAINTENANCE PROCEDURES

28. TECHNICAL WORK LEVELS

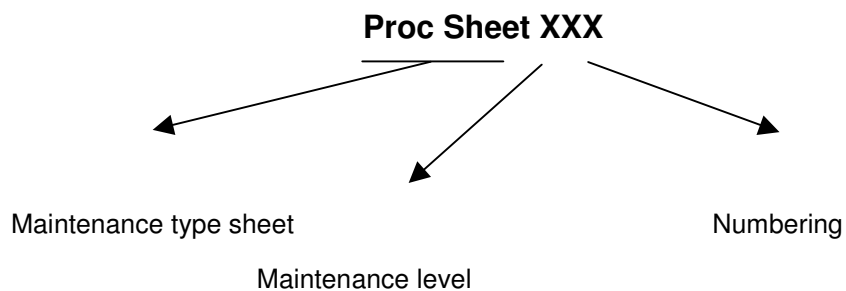
There are four technical work levels:

- Level 0,
- Level 1,
- Level 2,
- Level 3.

Each level represents a maintenance degree that depends on which elements are to be removed.



Maintenance procedure sheets are coded as follows :



5.2 SHORT LOOP PROCESS

1. Initialisation

From the communication by Sagem and the reception of the concerned products by the short loop process, the Repair Centre shall comply with the above procedure. The application of the Short loop process will end when received the authorisation of repairing given by Sagem.

2. Administrative checks to be done by the Repair Centre

- Authorisation from Sagem for treating the reference received (Part number)
- Process to be applied : short loop process or normal process (DTS, Normal, etc...). The Repair Centre shall check if the product received has to be treated according to the short loop process.
- Controls on the warranty conditions and DOA conditions (if the Repair Centre is authorised) communicated by Sagem.

3. Tests and controls :

- Checks if there are no external shocks or oxidation marks (the covers shall be dismantled in case of exchangeable covers)
- Checks and confirmation of the defect (real call with SIM, functional test keypad , display, vibrating device, etc...)
- Check the concordance between the defect declared by the end-user and the defect observed
- Call back of the end-user or dealer (as far as possible) either in case of misunderstanding of the defect declared by the end-user or in case of the non observation of the defect. (see the appendix "Additional information about the No Fault Found –NFF- " at the end of this document allowing according to the case to understand the return of the product)

If any doubts occurred concerning out of warranty products received, the Repair Centre shall send to Sagem Montauban (with knowledge to the Area Manager and Support Engineer) the photo of the defect.

N.B :

- The handsets shall not be dismantled (by using screwdrivers) except previous request from Sagem.
- The Repair Centre will not make any Repair (such as spare parts exchange or software upgrade) except previous communication of Sagem. The exchange of handsets or accessories are the only intervention authorised.

4. Exchange by the Repair Centre

- The Repair Centre will use the products delivered for swap to the Repair Centre for exchanging the products to the end-users (except particular process defined by Sagem).
-

-
- The under- warranty handsets and accessories received shall be exchanged to the end-user.
 - The under- warranty handsets and accessories declared No Fault Found (NFF) shall be exchanged to the end-users except previous communication of Sagem.
 - The Out of warranty handsets and accessories (oxidation, shocks, ...) will be repaired by the Repair Centre after acceptance by the customer of an estimate according to the Sagem out of warranty repair prices communicated.
 - **The under- warranty and out of warranty handsets shall be sent to Sagem Montauban.**
 - In the frame of the Short loop process, there is no level 1 (L1) intervention

5. Reports

An exchange of an handset and its accessories shall be codified Level 3 (L3)

An accessory exchange shall be codified Level 0 (L0).

The Repair Centre shall capture all the information required for issuing and sending the Repair Reports and Status reports according to the Contractual frequency defined. The Reports shall includes the products treated by the Repair Centre under- warranty or out of warranty.

6. Procedure

From the beginning date of the Short loop process application and **minimum each week, the Repair Centre shall ship the products (handsets and accessories) to Sagem Montauban.**

61. Handsets :

- MRA Procedure for the after-Sales products (one MRA number for the products concerned by the short loop).
- MRA Procedure for DOA products (one MRA DOA number for the products concerned by the short loop) if the Repair Centre is authorised to treat the DOA products.

The MRA request shall be sent to Sagem Montauban (with knowledge to the Area Manager and Support Engineer).

The shipment of products to Sagem Montauban shall comply with the MRA procedure. Furthermore each products shall be sent with the Return Product Sheet filled in indicating the defect declared by the end-user and the defect observed by the Repair Centre (Sagem Defect codes).

The NFF products sent to Sagem Montauban shall be identified by using separate package. Furthermore this products shall be sent with the complete description of the defect declared by the end-user (not codified).

The accessories received by the Repair Centre shall be sent to Sagem Montauban sent back attached with the handset (not connected to the handset).

62. Accessories :

For the accessories received without the handsets, the procedure is the following:

Accessories return procedure to Sagem Montauban to be used. The Repair Centre shall indicate on the parcel Accessories + model (ex : myX5-2/ myV-55) for the accessories received in the Repair Centre without the handsets.

7. Sagem Montauban

Sagem Montauban will ship back to the Repair Centre the same quantity of handsets and accessories as the quantity received.

8 Additional information about the no fault found

In any case: Ask to the end-user the frequency of the defect and the circumstances of its apparition (during an incoming or out-going call, while playing, while downloading, etc.). Try to answer the questions: Where? When? How?

- If the customer complains about a **“Power supply / charging”** failure : (shutting down of the mobile, problem of booting, etc.);
 - During which operation ? In which circumstances ?
 - What is the state of the battery and the charger before shipment to the repair centre ?
 - If the mobile shuts down by itself, must he enter his code pin, adjust the date and the hour when rebooting the phone?

- If the customer complains about a communication problem:
 - What are his residence zone and the reception level of the mobile (Number of receipt bar);
 - What is the state of the battery when the defect appears?
 - In case of loss of communication :
 - With or without total extinction of the mobile?
 - Does the loss of communication occur always in the same place and with the same person?
 - Does the loss of communication occur while browsing in the menus, during the communication, or during playing or downloading?

- If the customer complains about a problem of blockage of key of the keyboard:
 - In which circumstances does the problem occur?
 - Did he activate the keypad locking ?
 - Did he change or remove the upper cover ?
 - Which are the non functioning keys ?

29. MAINTENANCE TOOLS

The following tools are necessary to carry out maintenance operations :

- Electrical screwdrivers with tightening torque settings (**0.25 NM**) ,equipped with 0,6 mm Torx .
- Metal dome jig.
- Plastic Tweezers.
- Gloves
- ESD protection strap

LEVEL 0 MAINTENANCE

 SAGEM	REMOVING / REPLACING BACK COVER	Proc Sheet 0 01
myX5-2/ myV-55		1/2

4.4 Tools :

4.5 Not applicable.

4.6 Preliminary operation

Turn the handset upside down

4.7 Removal procedure :

- 1 Unlock the back cover (1) , by pushing the lock button (2) upwards.
- 2 Remove rear cover (1) by lifting bottom end first

4.8 Placement procedure :

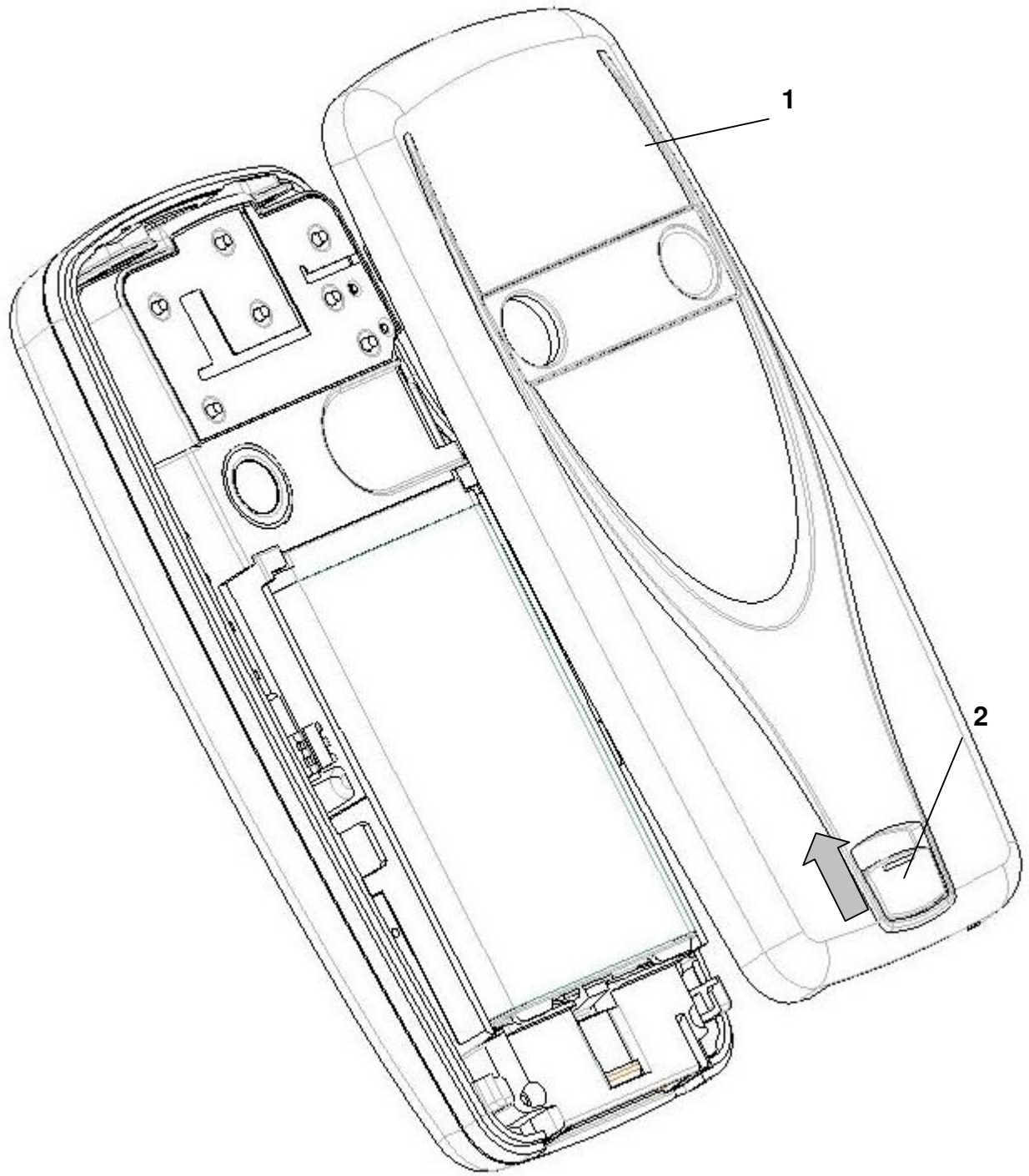
1. Replace the cover by engaging top hooks first .
2. Push down back of rear cover and push button back into locked position

4.9 Further operations :

1. Check the covers are assembled tightly

Notice: The myV-55 back cover removing/ replacing procedure is the same as myX5-2

 SAGEM	REMOVING / REPLACING THE BACK COVER	Proc sheet 0 01
myX5-2/ myV-55		2/2



 SAGEM	REMOVING / REPLACING THE BATTERY	Proc Sheet 0 02
myX5-2/ myV-55		1/2

4.10 Tools :

4.11 - Not applicable

4.12 Preliminary operation :

4.13 - Switch off the mobile phone

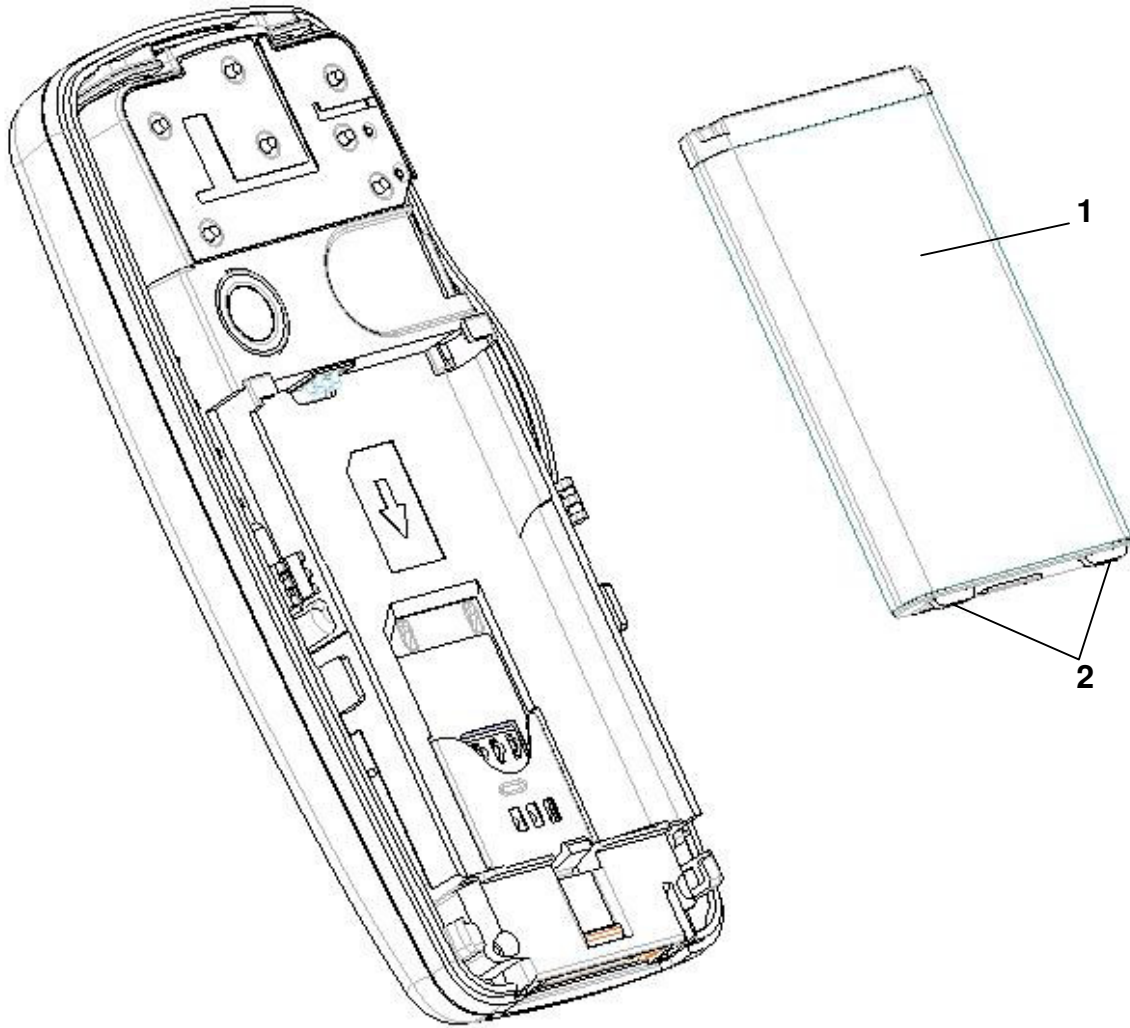
4.14 Removal procedure :

1. Remove the back cover ([Proc sheet 0 01](#)).
2. Take out the battery (1) by first extracting the stop pins (2).

4.15 Placement procedure :

1. Place the battery by first inserting the upper section .
2. Place the back cover ([Proc sheet 0 01](#)).

 SAGEM	REMOVING / REPLACING THE BATTERY	Proc Sheet 0 02
myX5-2/ myV-55		2/2



 SAGEM	REMOVING / REPLACING THE FRONT COVER	Proc Sheet 0 03
myX5-2/ myV-55		1/2

4.16 Tools :

- Not applicable

4.17 Preliminary operation :

1. Remove the back cover ([Proc sheet 0 01](#)).

4.18 Removal procedure :

6. Separate the two front cover (2) fixing stop pins (3) to release the electronic module (1).
7. Remove the equipped front cover (2).
8. Remove the elastomer keypad (4).

4.19 Placement procedure :

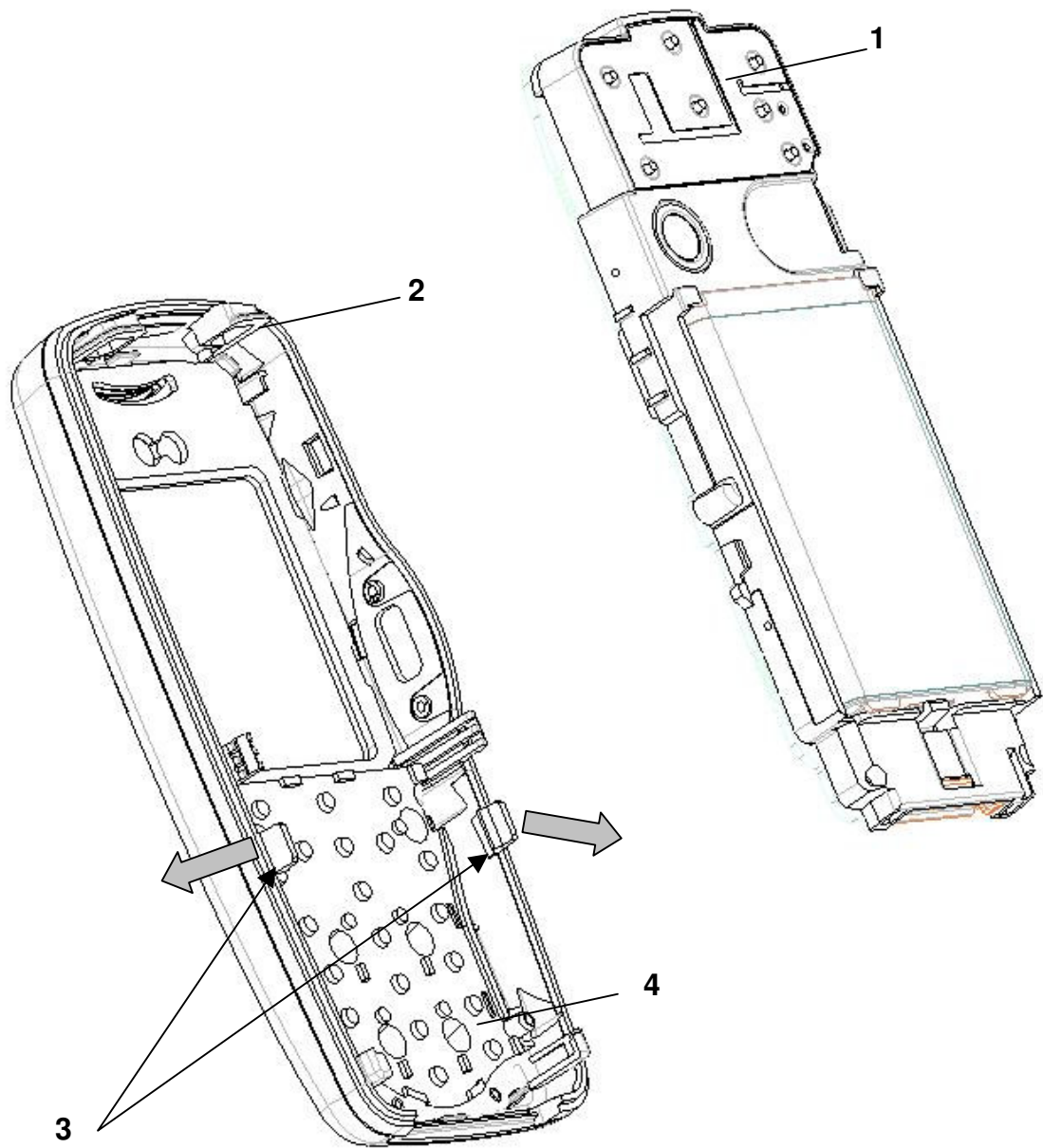
1. On the new front cover (2), position the elastomer keypad (4) in position, ensuring it is free of dust.
2. Place the module (1) onto front cover (2) ,engaging firstly the module top, then press on the module top (1)


4.20 Further operations

1. Place the back cover ([Proc sheet 0 01](#)).

Notice: The myV-55 front cover removing/ replacing procedure is the same as myX5-2

 SAGEM	REMOVING / REPLACING THE FRONT COVER	Proc sheet 0 03
myX5-2/ myV-55		2/2



	REMOVING / REPLACING THE ELASTOMER KEYPAD	Proc Sheet 0 04
myX5-2/ myV-55		1/2

4.21 **Tools :**

- Flat screwdriver

4.22 **Preliminary operation**

1. Remove the back cover ([Proc sheet 0 01](#)).
2. Remove the front cover ([Proc sheet 0 03](#)).

4.23 **Removal procedure (myV-55) :**

1. Remove the elastomer keypad (2) from the front cover (1).

4.24 **Removal procedure (myX5-2) :**

1. Press the two keypad fixing stop pins (3) with a flat screwdriver to release the elastomer keypad (2).

4.25 **Placement procedure (myV-55) :**


1. Clean the elastomer keypad (2) with compressed air.
2. Place the elastomer keypad (2) in position in its housing

4.26 **Placement procedure (myX5-2) :**

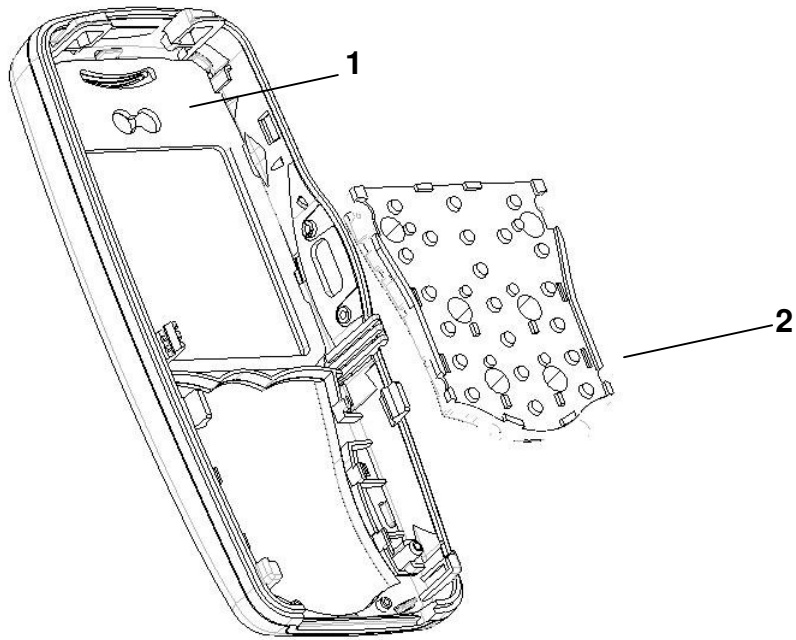
1. Clean the elastomer keypad (2) with compressed air.
2. Place the elastomer keypad (2) by engaging back stop pins (3) first and press into locked position

4.27 **Further operations :**


1. Replace the front cover ([Proc sheet 0 03](#)).
2. Replace the back cover ([Proc sheet 0 01](#)).

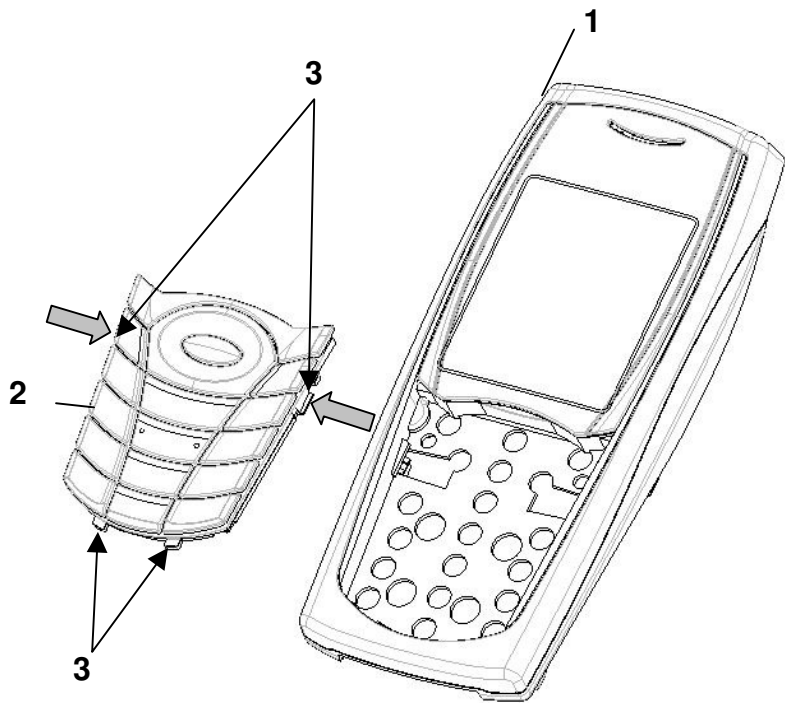
 SAGEM	REMOVING / REPLACING THE ELASTOMER KEYPAD	Proc Sheet 0 04
myX5-2/ myV-55		2/2


4.27.1 myV-55



myX5-2

 SAGEM	REMOVING / REPLACING THE ELASTOMER KEYPAD	Proc Sheet 0 04
myX5-2/ myV-55		2/2



 SAGEM	REMOVING / REPLACING THE KNOB LOCK AND THE LOCKER	Proc Sheet 0 05
myX5-2/ myV-55		1/2

4.28 Tools :

- Not applicable

4.29 Preliminary operation

9. Remove the back cover ([Proc sheet 0 01](#)).

4.30 Removal procedure :

1. Push the knob lock (2) upward.
2. Pull out the knob lock (2).
3. In the internal cover side, slide the locker (3) upward, while lifting it.


4.31 Placement procedure :

1. Place the knob lock (2) in its housing, then slide it downward.
2. Turn the rear cover upside down and press the knob lock firmly.

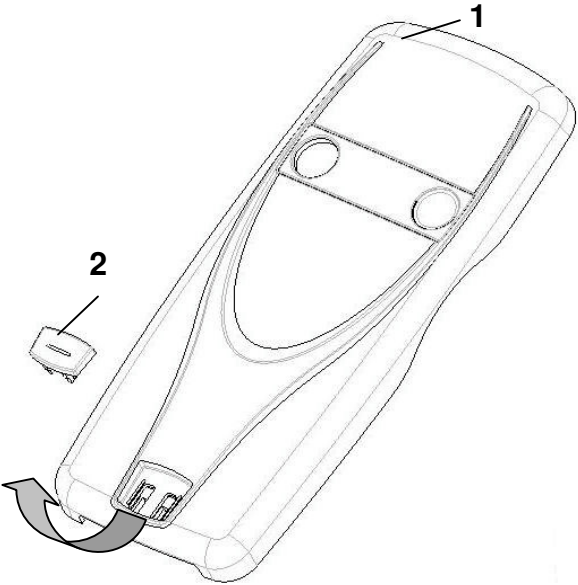
4.32 Further operations :

1. Replace the back cover ([Proc sheet 0 01](#)).


Notice: The myV-55 locker and knob lock removing/ replacing procedure is the same as myX5-2

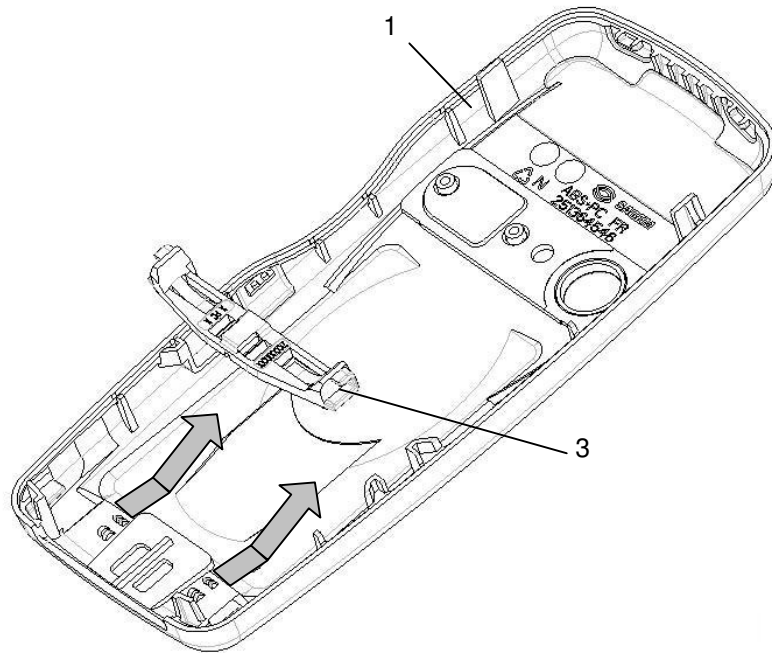
 SAGEM	REMOVING / REPLACING THE KNOB LOCK AND THE LOCKER	Proc Sheet 0 05
myX5-2/ myV-55		2/2

KNOB LOCK



LOCKER

 SAGEM	REMOVING / REPLACING THE KNOB LOCK AND THE LOCKER	Proc Sheet 0 05
myX5-2/ myV-55		2/2



LEVEL 1 MAINTENANCE

 SAGEM	REMOVING / REPLACING THE ASSEMBLY FLANGE	Proc Sheet 1 01
myX5-2/ myV-55		1/2

4.33 **Tools :**

- A 0.6mm torx screwdriver

4.34 **Preliminary operation**

1. Remove the back cover ([Proc sheet 0 01](#)).
2. Remove the battery ([Proc sheet 0 02](#)).
3. Remove the front cover ([Proc sheet 0 03](#)).

4.35 **Removal procedure :**

1. Unscrew the six attachment screws on the assembly plate (1)
2. Separate the four stop pins (3) to liberate the assembly flange (2).

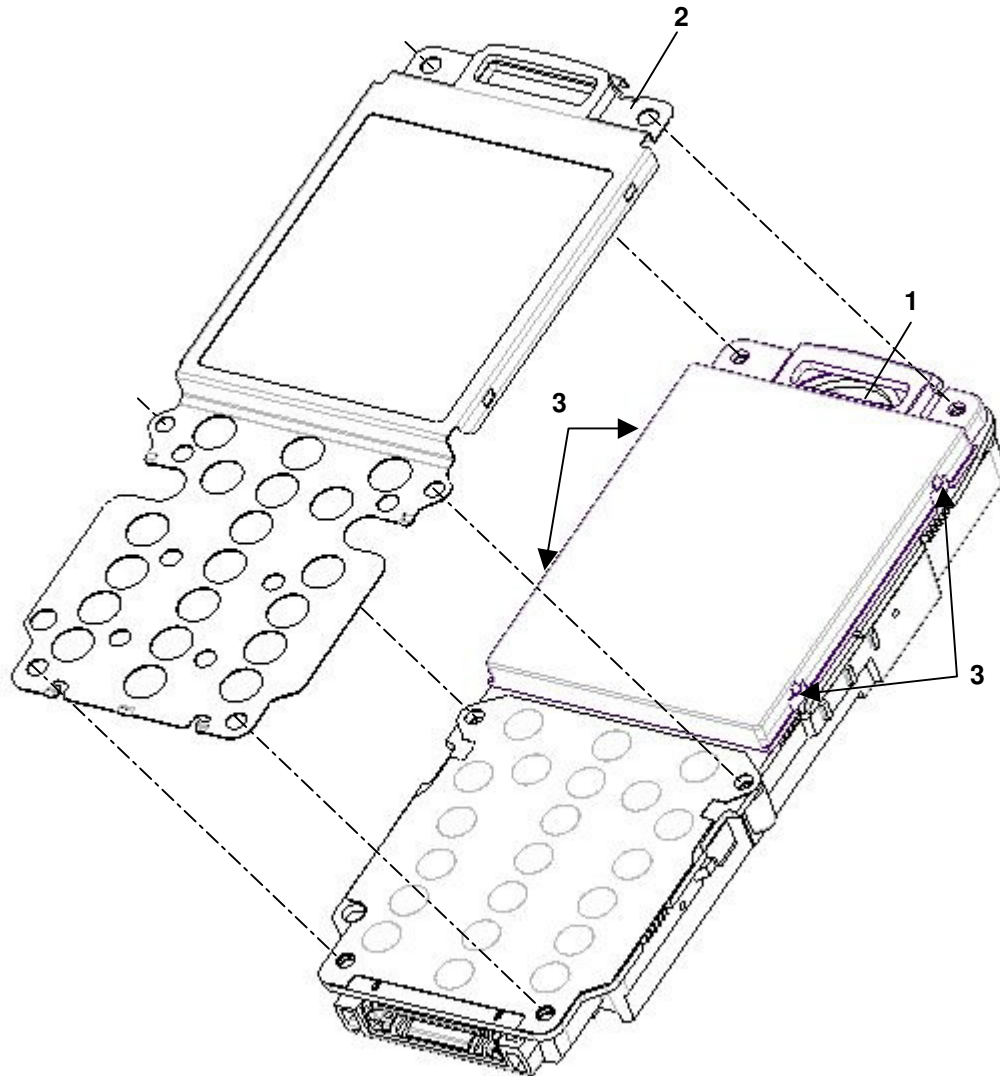
4.36 **Placement procedure :**

1. Replace the new assembly flange on its housing.
2. Position and tighten the six attachments screws with torx couple of **0,25 N.m.**

4.37 **Further operations :**

1. Replace the front cover ([Proc sheet 0 03](#)).
2. Replace the battery ([Proc sheet 0 02](#)).
3. Replace the back cover ([Proc sheet 0 01](#)).
4. Carry out radio test ([Test Sheet 06](#)).

 SAGEM	REMOVING / REPLACING THE ASSEMBLY FLANGE	Proc Sheet 1 01
myX5-2/ myV-55		2/2



	REMOVING / REPLACING THE CAMERA	Proc Sheet 1 02
myX5-2/ myV-55		1/2

4.38 **Tools :**

- A 0.6mm torx screwdriver
- Tweezers

4.39 **Preliminary operation**

1. Remove the back cover ([Proc sheet 0 01](#)).
2. Remove the battery ([Proc sheet 0 02](#)).
3. Remove the front cover ([Proc sheet 0 03](#)).

4.40 **Removal procedure :**

1. Unscrew the six attachment screws on the assembly plate
2. Remove the electronic board (1) from the assembly plate
3. Remove the top shield case (4) and the spacer assembly (3) by lifting the top shield case sides up by means of tweezers
4. Remove the camera (2) by lifting up from the camera grooved sides

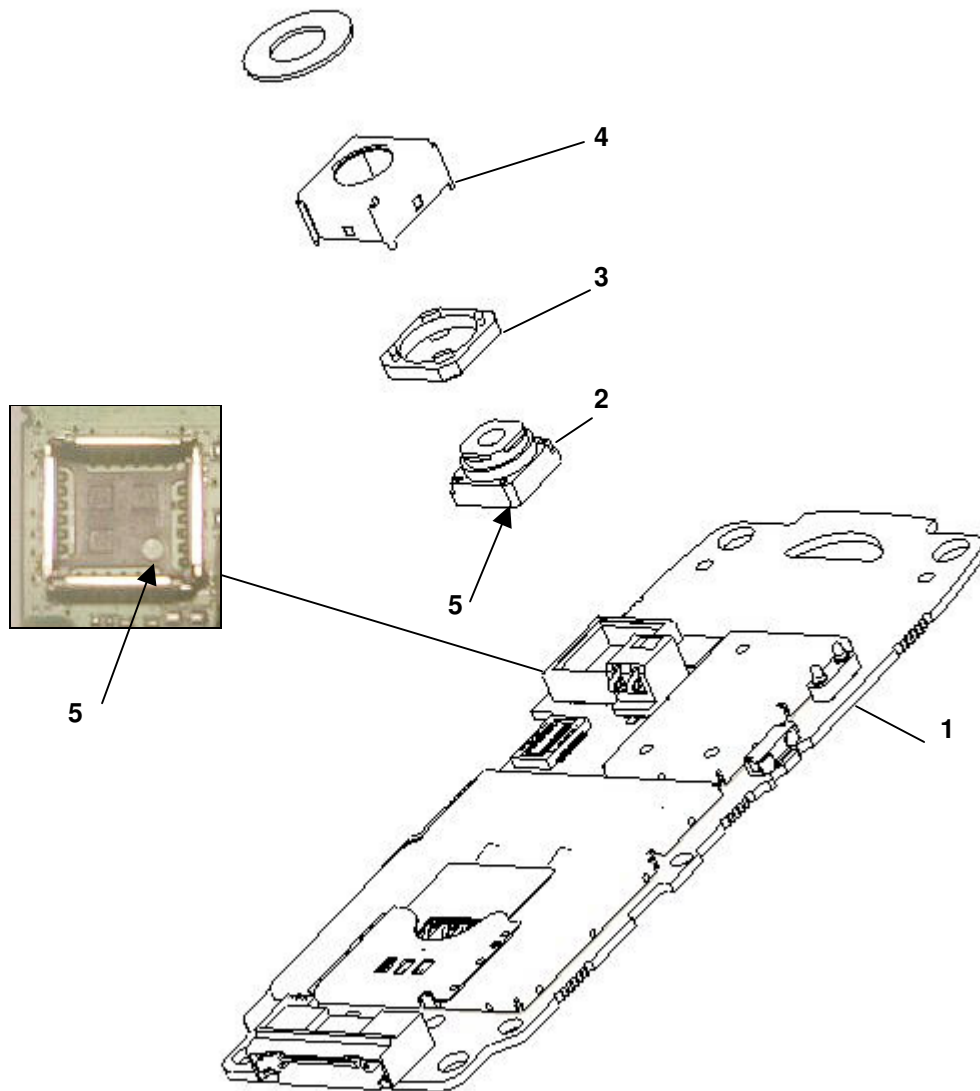
4.41 **Placement procedure :**

1. Replace the new camera (2) in its housing, respecting the sense (5), and press into locked position.
2. Replace the top shield case (4) and the spacer assembly (3) by pressing into locked position
3. Replace the electronic board (1) on the assembly plate
4. Position and tighten the six attachments screws with torx couple of **0,25 N.m.**

4.42 **Further operations :**

1. Replace the front cover ([Proc sheet 0 03](#)).
2. Replace the battery ([Proc sheet 0 02](#)).
3. Replace the back cover ([Proc sheet 0 01](#)).
4. Carry out radio test ([Test Sheet 06](#)).

 SAGEM	REMOVING / REPLACING THE CAMERA	Proc Sheet 1 02
myX5-2/ myV-55		1/2



	REMOVING / REPLACING THE DISPLAY	Proc Sheet 1 03
myX5-2/ myV-55		1/2

4.43 Tools :

- A 0.6mm torx screwdriver
- gloves
- Display / metal dome jig

Notice: This procedure must be performed by an technician provided with gloves , to avoid any risk of pollution.

- **Display contacts must never be touched.**

4.44 Preliminary operation

1. Remove the back cover ([Proc sheet 0 01](#)).
2. Remove the battery ([Proc sheet 0 02](#)).
3. Remove the front cover ([Proc sheet 0 03](#)).
4. Remove the assembly flange ([Proc sheet 1 01](#)).

4.45 Removal procedure :

1. Turn the display round (2) to the right of the electronic board (1)
2. Push on the flex PCB (3) to liberate the display board to board connector
3. Remove the display (2)

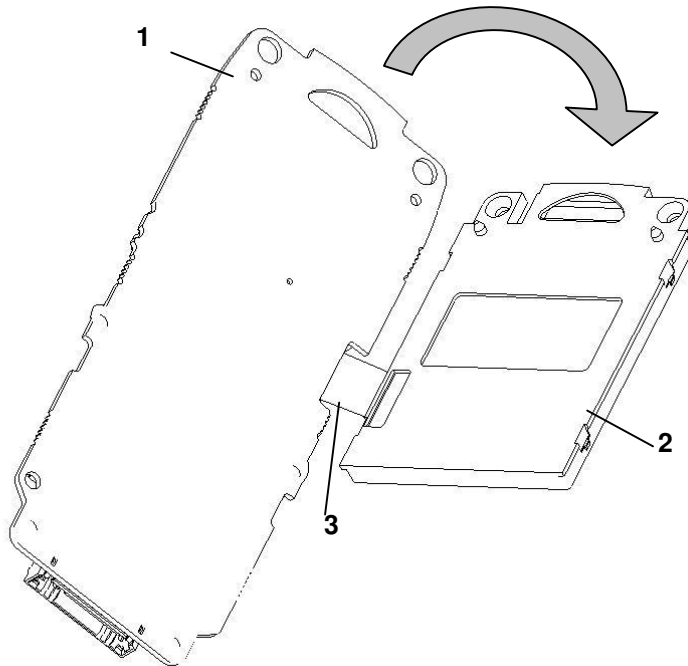
4.46 Placement procedure :

1. Position the display (2) in its housing first
2. Position the display board to board connector on the electronic board connector (4) and press into locked position

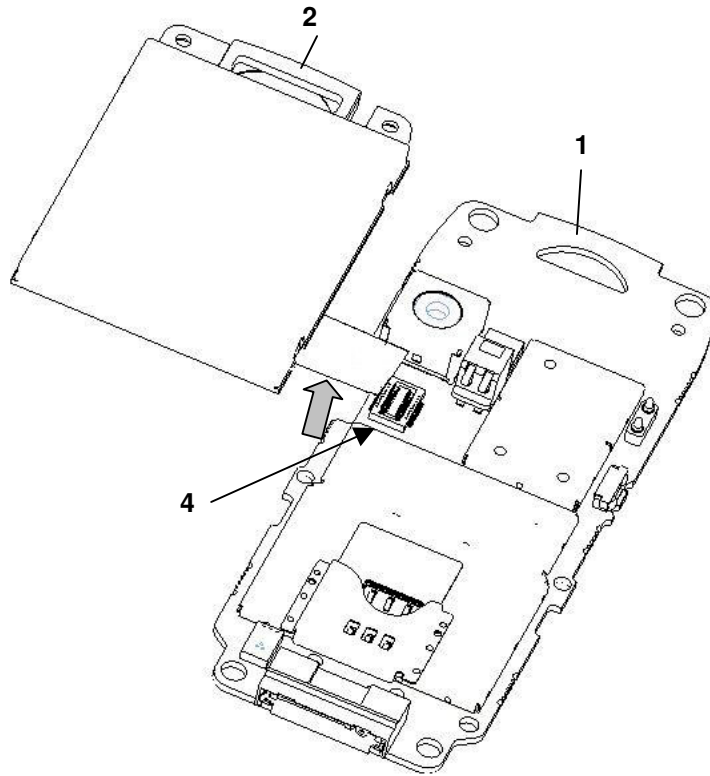
4.47 Further operations :

1. Remove the assembly flange ([Proc sheet 1 01](#)).
2. Replace the front cover ([Proc sheet 0 03](#)).
3. Replace the battery ([Proc sheet 0 02](#)).
4. Replace the back cover ([Proc sheet 0 01](#)).
1. Carry out the radio test ([Test Sheet 06](#)).

 SAGEM	REMOVING / REPLACING THE DISPLAY	Proc Sheet 1 03
myX5-2/ myV-55		2/2



 SAGEM	REMOVING / REPLACING THE DISPLAY	Proc Sheet 1 03
myX5-2/ myV-55		2/2



	REMOVING / REPLACING THE ELECTRONIC BOARD	Proc Sheet 1 04
myX5-2/ myV-55		1/2

4.48 Tools :

- A 0.6mm torx screwdriver

4.49 Preliminary operation

1. Remove the back cover ([Proc sheet 0 01](#)).
2. Remove the battery ([Proc sheet 0 02](#)).
3. Remove the front cover ([Proc sheet 0 03](#)).

4.50 Removal procedure :

1. Unscrew the six attachment screws on the assembly plate
2. Remove the assembly flange ([Proc sheet 1 01](#))
3. Remove the assembly display ([Proc sheet 1 03](#))
4. Remove the electronic board (1) on the assembly plate (2)

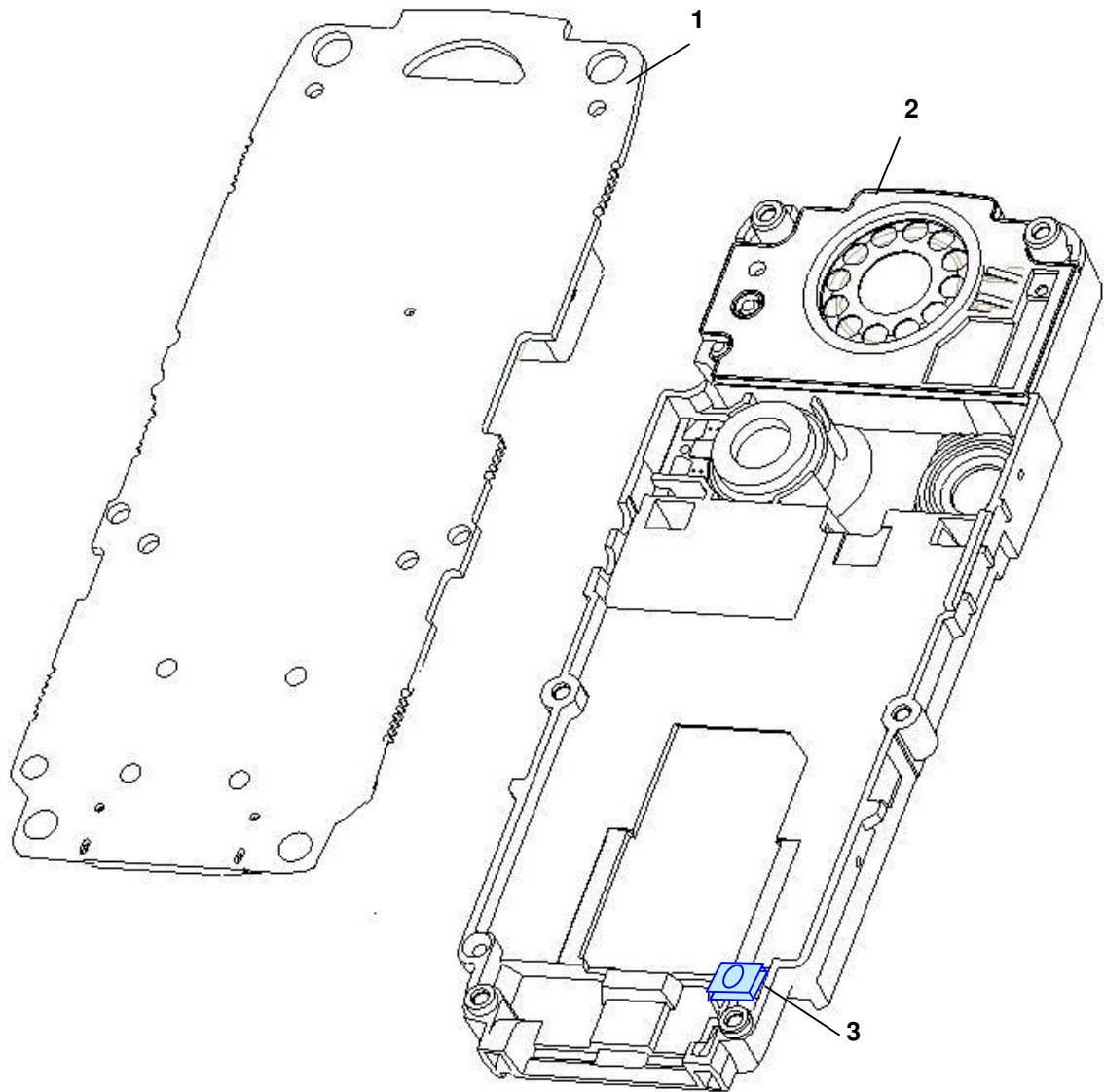
4.51 Placement procedure :

1. Check if the microphone rubber (3) is in its housing.
2. Replace the new electronic board on the assembly plate (2).
3. Replace the assembly display ([Proc sheet 1.03](#))
4. Replace the assembly flange ([Proc sheet 1 01](#))
5. Position and tighten the six attachments screws with torx couple of **0,25 N.m.**

4.52 Further operations :

1. Replace the front cover ([Proc sheet 0 03](#)).
2. Replace the battery ([Proc sheet 0 02](#)).
3. Replace the back cover ([Proc sheet 0 01](#)).
4. Carry out the radio test ([Test Sheet 06](#)).

 SAGEM	REMOVING / REPLACING THE ELECTRONIC BOARD	Proc Sheet 1 04
myX5-2/ myV-55		2/2



4.53 Tools :

- A 0.6mm torx screwdriver
- Gloves
- Metal dome Jig
- Tweezers

4.54 Preliminary operation

This procedure must be performed by a technician with gloves.

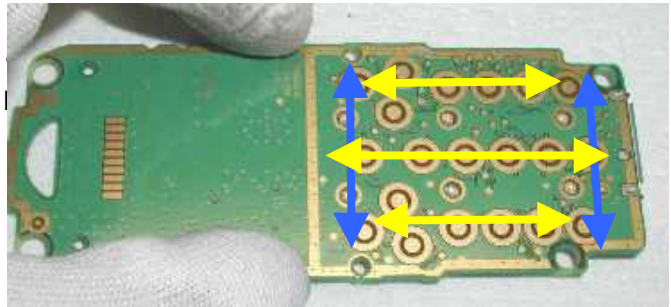
1. Remove the back cover ([Proc sheet 0 01](#)).
2. Remove the battery ([Proc sheet 0 02](#)).
3. Remove the front cover ([Proc sheet 0 03](#)).
4. Unscrew the six attachment screws on the electronic board (1)
5. Remove the assembly flange ([Proc sheet 1 01](#)) then, the assembly display ([Proc sheet 1 03](#))

4.55 Removal procedure :

1. Lift up the metal dome (2) on the electronic card (1) with tweezers.
2. Proceed to the keys cleaning by the following way:

The PCB cleaning must be carried out with isopropanol and
Hold the PCB in the following way in order to release all the

- 1 Wet the duster with alcohol and start by the bottom PCB.
- 2 Apply the duster on the other keys
- 3 Insist on the keyboard top keys
- 4 Apply the duster again on the bottom PCB
- 5 Check if there are no more residues on the keyboard.



4.56 Placement procedure :

Warning : The metal dome is not reusable, it must be necessarily replaced by a new metal dome, unless the board is swapped and sent as level 3

1. Replace the metal dome on the electronic card, using the metal dome jig.

4.57 Further operations :

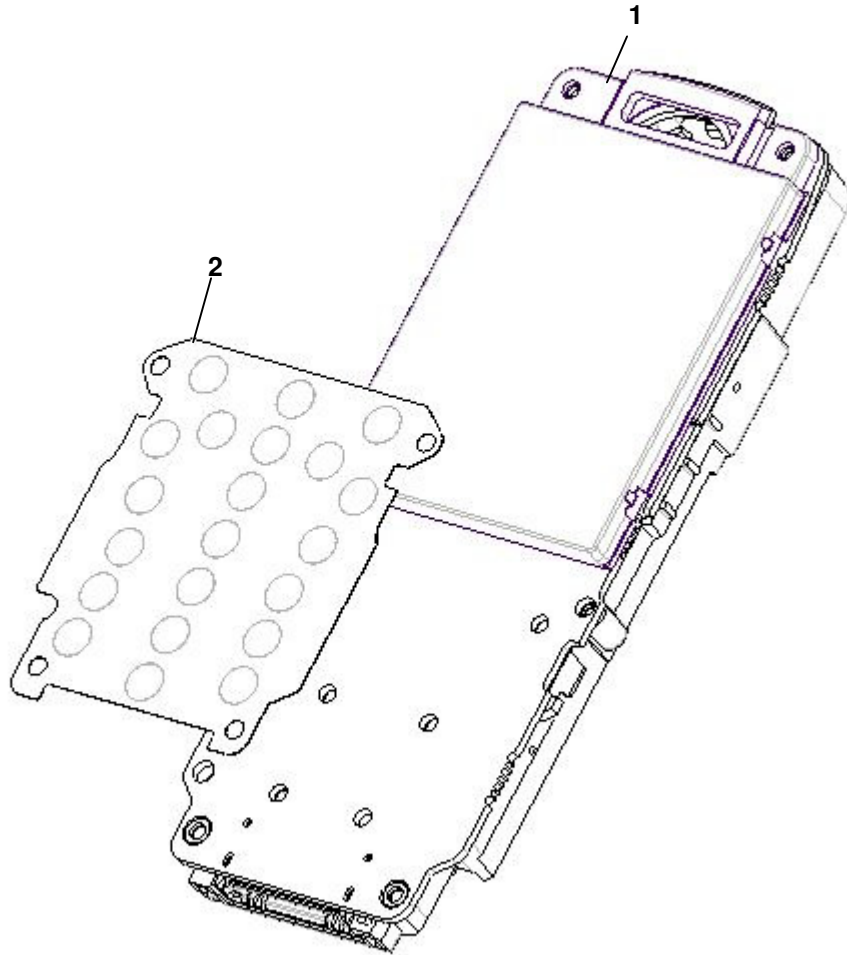
1. Replace the electronic board on the assembly plate([Proc sheet 1.04](#))
2. Replace the assembly display ([Proc sheet 1.03](#))
3. Replace the assembly flange ([Proc sheet 1.01](#))
4. Position and tighten the six attachments screws with torx settings of **0,25 N.m.**

myX5-2/ myV-55

1/2

5. Replace the front cover ([Proc sheet 0 03](#)).
6. Replace the battery ([Proc sheet 0 02](#)).
7. Replace the back cover ([Proc sheet 0 01](#)).
8. Carry out the radio test ([Test Sheet 06](#)).

 SAGEM	REMOVING / REPLACING THE METAL DOME	Proc Sheet 1 05
myX5-2/ myV-55		2/2



 SAGEM	REMOVING / REPLACING THE LOUDSPEAKER	Proc Sheet 1 06
myX5-2/ myV-55		1/2

4.58 Tools :

- A 0.6mm torx screwdriver
- Tweezers

4.59 Preliminary operation

1. Remove the back cover ([Proc sheet 0 01](#)).
2. Remove the battery ([Proc sheet 0 02](#)).
3. Remove the front cover ([Proc sheet 0 03](#)).
4. Unscrew the six attachment screws on the electronic board.
5. Remove the assembly flange , then the display ([Proc sheet 1 01 / 1 02](#))
6. Remove the electronic board.([Proc sheet 1 04](#))

4.60 Removal procedure :

Notice: do not touch the loudspeaker diaphragm

1. Remove, with the tweezers, the equipped loudspeaker (1) in its housing (2).

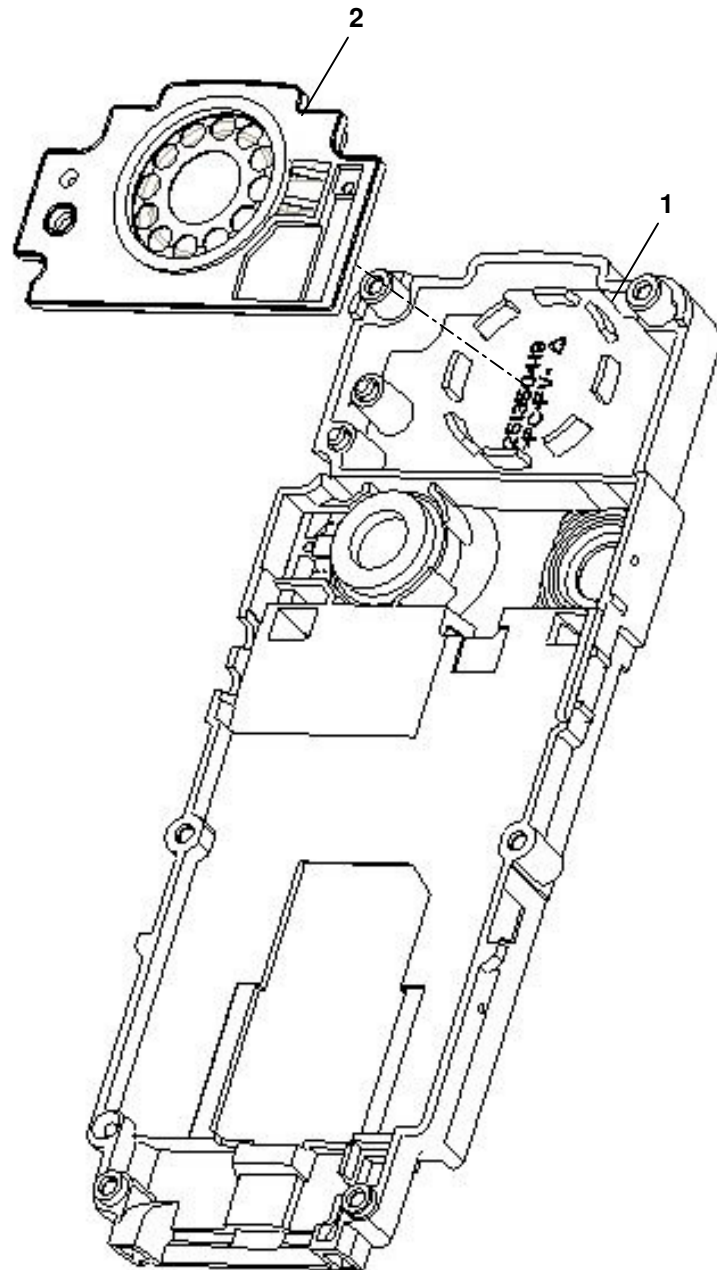
4.61 Placement procedure :

1. Put the loudspeaker in its housing, respecting the foolproof device

4.62 Further operations :

1. Remove the electronic board on the assembly plate. .([Proc sheet 1 04](#))
2. Replace the display ([Proc sheet 1.03](#))
3. Replace the assembly flange ([Proc sheet 1 01](#))
4. Position and tighten the six attachments screws with torx settings of **0,25 N.m.**
5. Replace the front cover /battery / back cover ([Proc sheet 0 01 / 0 02 / 0 03](#)).
6. Carry out the radio test ([Test Sheet 06](#)).

 SAGEM	REMOVING / REPLACING THE LOUDSPEAKER	Proc Sheet 1 06
myX5-2/ myV-55		2/2



 SAGEM	REMOVING / REPLACING THE VIBRATING DEVICE	Proc Sheet 1 07
myX5-2/ myV-55		1/2

4.63 Tools :

- A 0.6mm torx screwdriver
- Tweezers

4.64 Preliminary operation :

1. Remove the back cover ([Proc sheet 0 01](#)).
2. Remove the battery ([Proc sheet 0 02](#)).
3. Remove the front cover ([Proc sheet 0 03](#)).
4. Unscrew the six attachment screws on the electronic board.
5. Remove the assembly flange , then the display ([Proc sheet 1 01 / 1 03](#))
6. Remove the electronic board.([Proc sheet 1 04](#))

4.65 Removal procedure :

1. With tweezers, remove the vibrating device (1) .

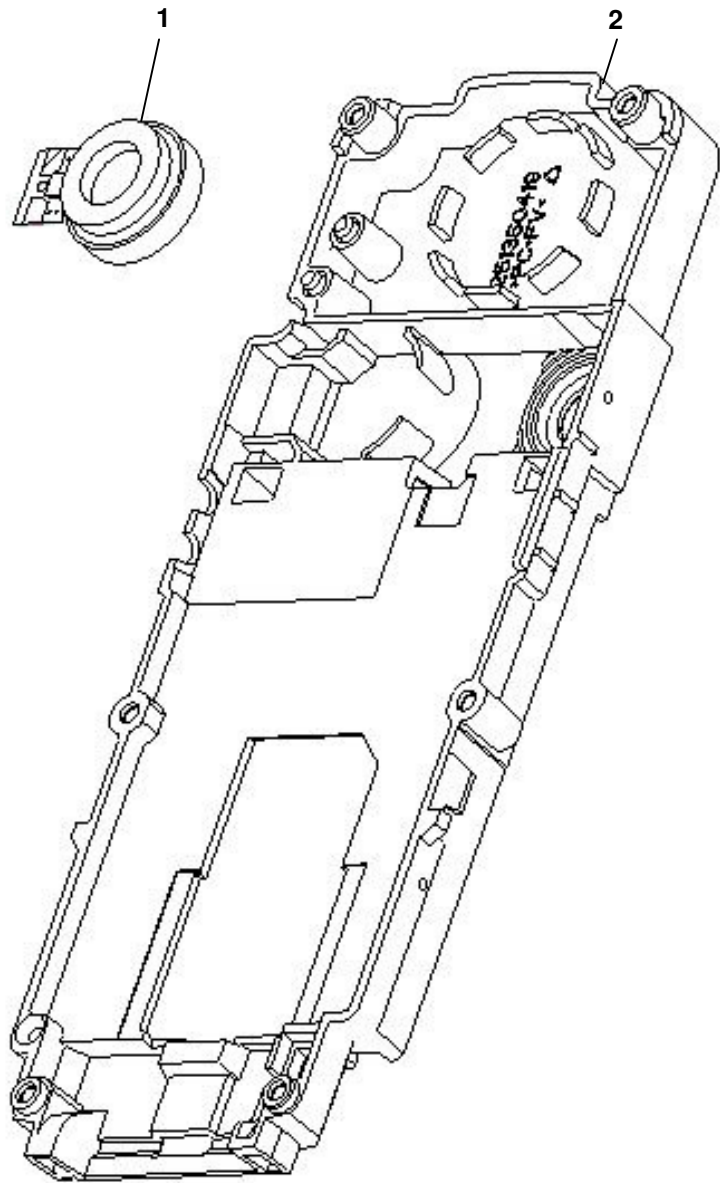
4.66 Placement procedure :


1. Place the vibrating device (1) into position on the plate (2), respecting the foolproof device.

4.67 Further operations :

1. Remove the electronic board on the assembly plate. .([Proc sheet 1 04](#))
2. Replace the display ([Proc sheet 1.03](#))
3. Replace the assembly flange ([Proc sheet 1 01](#))
4. Position and tighten the six attachments screws with torx settings of **0,25 N.m.**
5. Replace the front cover /battery / back cover ([Proc sheet 0 01 / 0 02 / 0 03](#)).
6. Carry out the radio test ([Test Sheet 06](#)).

 SAGEM	REMOVING / REPLACING THE VIBRATING DEVICE	Proc Sheet 1 07
myX5-2/ myV-55		1/2



 SAGEM	ELECTRONIC BOARD EXCHANGE	Proc Sheet 1 08
myX5-2/ myV-55		1/3

4.68 Preliminary operation

1. Control of the IMEI label integrity
2. Remove the electronic board (Proc sheet 1 04)
3. Control of any oxidation marks (on the electronic board and under the metal dome)

4.69 Return procedure :

- (a) The electronic boards are packaged in individual electrostatic envelopes . They must be stocked in their original package of reception , to insure a good protection against external attacks (see enclosed photos)
- (b) During the electronic boards manipulation , gloves and electrostatic strap must be worn at all times.
- (c) The defective electronic boards have to be returned to SAGEM factory, packaged individually, in the original package (see enclosed photos) , in the appropriate ESD box : One box per Sagem reference (check reference written on the box).
- (d) The defective board should display the defect code written on a sticker (placed on the shielding) and written on the ESD bag label too (printed with SMT).

Note :


- **On the defective boards , it is necessary to check visually under the metal dome to discover if it shows oxidation marks. The defective boards should be returned with their original metal dome**
- **Boards with oxidation should not to set in conformance with the warranty**
- **The defective boards must never be mixed with the complete mobiles**

4.70 Placement procedure :

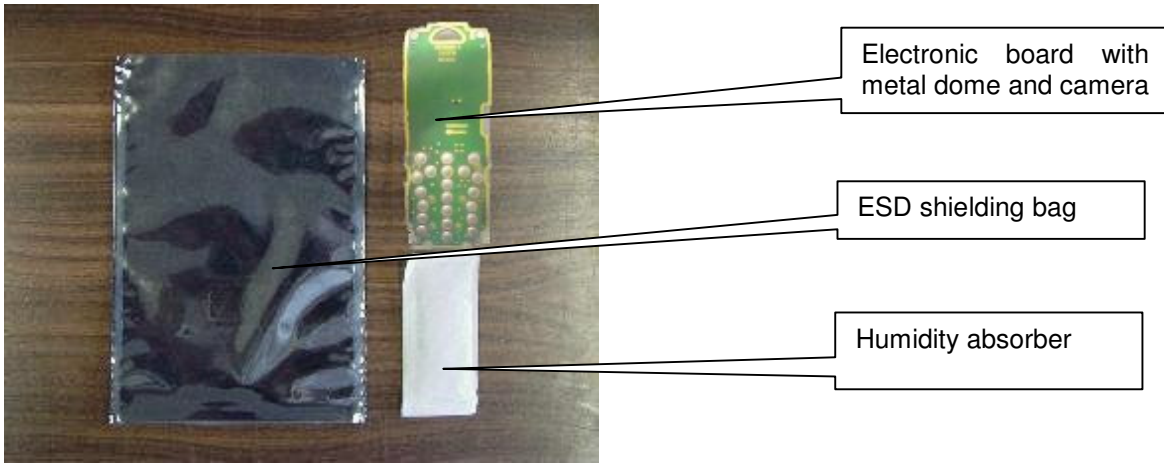
1. Exchange the defective board with a functional board of the same Sagem reference (25M).

4.71 Further operations :

1. Place the new electronic board on the assembly plate. .([Proc sheet 1 04](#))
2. Replace the customer housing ([Proc Sheet 0 03 et 1 01](#))
3. Follow stages (see enclosed photos) and the SMT instructions ([Proc sheet 01](#))

 SAGEM	ELECTRONIC BOARD EXCHANGE	Proc sheet 1 08
myX5-2/ myV-55		2/3

Example of electronic boards packaging :



Boards packaging SAGEM -> ARC

Boards packaging ARC -> SAGEM



ESD shielding bag closed by the product label




ESD shielding bag closed by the IMEI label

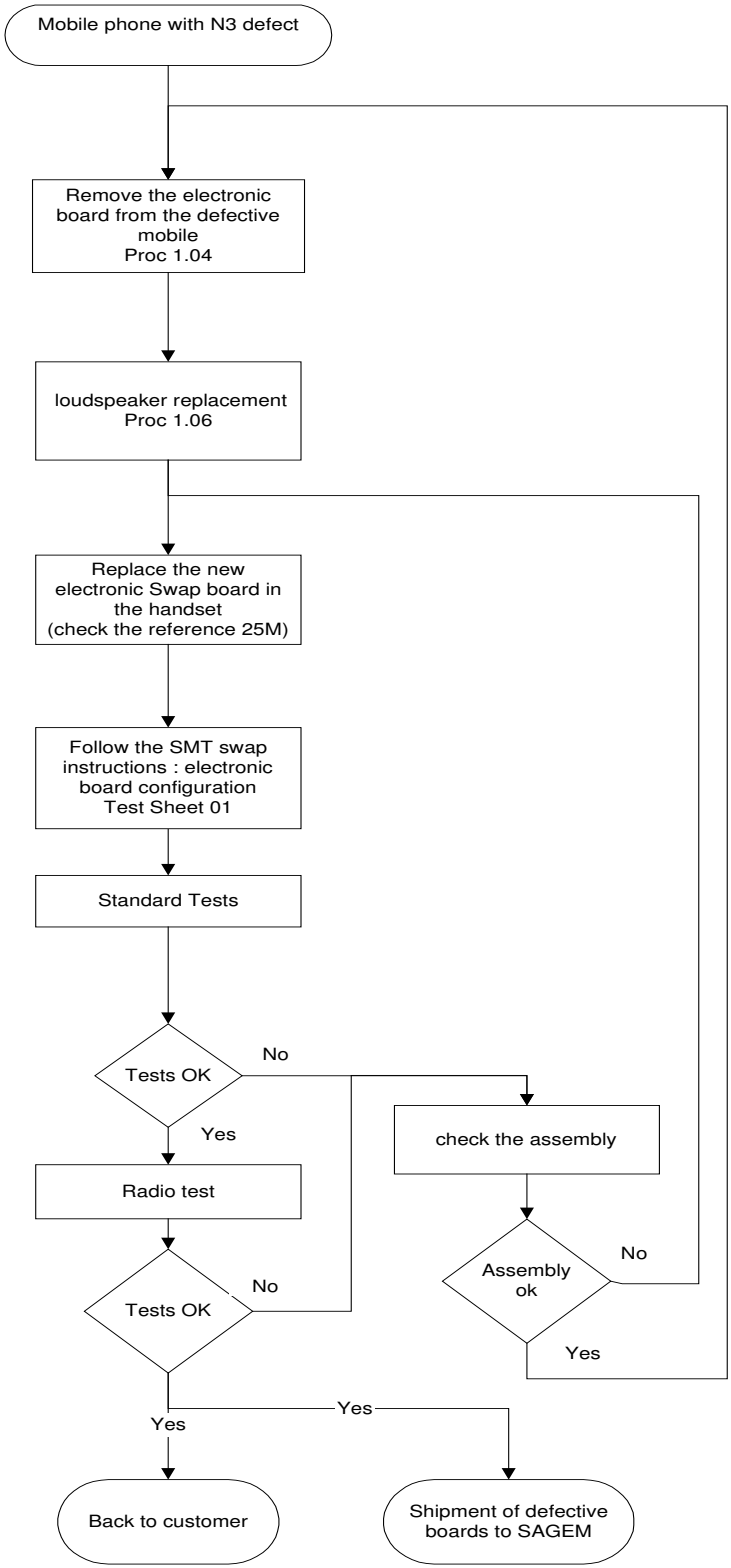
Write the defect code on the label



SAGEM electrostatic shielding box
Reference 20 boards: 25 141059-6
Reference 100 boards: 25 141060-3

 SAGEM	ELECTRONIC BOARD EXCHANGE	Proc sheet 1 08
myX5-2/ myV-55		2/3

Electronic board exchange process



Detection of N3 defect : See the Technical documentation

-check the metal dome .
In case of damage or oxidation , replace it.

- Functional tests
- Display test : Hot Line Menu
- Keypad test
- Vibrating device test

- See Technical Documentation (test sheet 06)

- Follow return instructions page 5-31

LEVEL 3 MAINTENANCE

IMPORTANT

Mobile packaging sent to SAGEM S.A. :

Follow the Proc sheet 1.08

Packaging for swap or mobile components storage :

The swap and the mobile components must be stored with a particular care especially for the most sensible component (Display , loudspeaker etc...).

Informations CRA/CRA information :		Garantie/Warranty :	
Nom/Name :		Garantie standard/Standard warranty :	
Rue /Street :		Déjà réparé/préviously repaired :	
Ville / City :		Hors garantie/Out of warranty :	
Code postal /Poscode :		Garantie expirée /Expired warranty :	
Pays/Country :		Mauvaise utilisation / Misuse :	
Telephone /Phone :			
Nom du produit/product :		N° Série/Sérial n° :	
Date d'achat/Date of purchase :		N° IMEI :	
Code SAGEM	Type de défauts	Type of fault	
PROBLEME D'AFFICHAGE			
A1	PAS D AFFICHAGE LED ETEINTES	NO POWER UP	
A2	PAS D'AFFICHAGE LED ALLUMÉES	NO WAKE UP	
A3	BLOCAGE DE L AFFICHAGE	FREEZES UP	
A5	AFFICHEUR CASSE	BROKEN LCD	
A6	LIGNE, DIGIT OU PIXEL MANQUANT, CONTRASTE, COULEUR	MISSING LINE, DIGIT or PIXEL, CONTRAST, COLOR	
A7	PB RETROCLAIRAGE	BACKLIGHTS PROBLEM	
PROBLEME D'ANTENNE			
A10	ANTENNE CASSEE / ABSENTE	BROKEN / MISSING ANTENNA	
PROBLEME D'ALIMENTATION / CHARGEUR			
B1	CONTACT BATTERIE DU MOBILE DEFECTUEUX	DEFECTIVE MOBILE BATTERY CONTACT	
B2	CONNECTEUR DE CHARGE DU MOBILE DEFECTUEUX	DEFECTIVE MOBILE CHARGER CONNECTOR	
B3	ALIMENTATION CARTE DEFECTUEUSE	DEFECTIVE POWER SUPPLY OF THE BOARD	
B4	AFFICHAGE CHARGE DEFECTUEUX	DEFECTIVE CHARGE ICON DISPLAY	
B5	CONSUMMATION MODE ETEINT	CURRENT CONSUMPTION WITH PHONE OFF	
B7	PROBLEME D AUTONOMIE	AUTONOMY	
B8	BATTERIE DEFECTUEUSE	ELECTRICALLY DEFECTIVE BATTERY	
B9	TENUE MECANIQUE BATTERIE	MECHANICAL LOCK PROBLEM ON BATTERY	
B10	BATTERIE CASSEE	BROKEN BATTERY	
B11	CHARGEUR DEFECTUEUX	DEFECTIVE CHARGER	
B12	CHARGEUR CASSE	BROKEN CHARGER	
B13	COUPURE INTERMITTENTE AVEC REDEMARRAGE	INTERMITTENT SWITCH OFF WITH REBOOT	
B14	COUPURE INTERMITTENTE SANS REDEMARRAGE	INTERMITTENT SWITCH OFF WITHOUT REBOOT	
PROBLEME DE CLAVIER			
C1	CLAVIER INOPERANT	NOT FUNCTIONING KEYBOARD	
C2	PROBLEME TOUCHE LATERALE	LATERAL TOUCH PROBLEM	
MESSAGE D'ERREUR			
D1	SIM ABSENTE	SIM MISSING	
D2	AUTRES MESSAGES	OTHER MESSAGES	
D3	PB EEPROM	EEPROM	
D4	MOBILE NON REGLE	UNTUNED MOBILE	
D5	HARD FAILURE	HARD FAILURE	
D6	SIM VERROU	SIM VERROU	
D7	CODE POSTE	POST CODE BLOCKED	
D8	RETOUR SAV	SAV RETURN	
D9	BATTERIE INCONNUE	UNKNOWN BATTERY	
PROBLEME AUDIO			
E1	HP DEFECTUEUX (grésille)	DEFECTIVE LOUDSPEAKER (hails)	
E2	HP VOIX DEFORMEE OU PARASITES	LOUDSPEAKER VOICE DISTORTION	
E3	MICRO DEFECTUEUX	DEFECTIVE MICROPHONE	
E4	MICRO VOIX DEFORMEE OU PARASITE (DISTANT)	MICRO VOICE DISTORTION	
E5	PROBLEME DE VIBREUR	VIBRATING DEVICE PROBLEM	
E6	CONNECTEUR AUDIO DEFECTUEUX	DEFECTIVE AUDIO CONNECTOR	
PROBLEME DE COMMUNICATION			
F1	PAS DE LOCALISATION RESEAU	NO NETWORK RETRIEVAL	
F2	COUPURE DE COMMUNICATION	INTERMITTENT CALLS DROP	
F4	TEST RADIO NON OK	TEST RADIO NO OK	
F5	ECHEC APPEL SORTANT	OUTGOING CALL FAILURE	
F6	ECHEC APPEL ENTRANT	INCOMING CALL FAILURE	
F7	PERTE TEMPORAIRE DE RESEAU	NETWORK TEMPORARY DROP	
PROBLEME COSMETIQUE / DEFAUT VISUEL			
G1	VITRE CASSEE OU ABIMEE	BROKEN OR DAMAGED GLASS	
G2	COQUE CASSEE OU ABIMEE	BROKEN OR DAMAGED COVER	
G3	FLAP CASSE OU ABIME	BROKEN OR DAMAGED FLIP	
G5	CLAVIER CASSE OU ABIME	BROKEN OR DAMAGED KEYBOARD	
G6	BOUTON VERROU DEFECTUEUX	DEFECTIVE LOCK BUTTON	
AUTRES PROBLEMES			
H1	KIT ACCESSOIRES HS	BROKEN OR DAMAGED ACCESSORY	
H2	FONCTION FM (MOBILE)	FM FUNCTION (Mobile)	
H3	FONCTION MONETIQUE	MONETIC FUNCTION	
I1	TRACE D OXYDATION	OXYDATION MARKS	
I3	PAS DE DEFAUT CONSTATE	NO FAULT FOUND	
I5	MANQUE FONCTION DANS MENU	LACK FUNCTION IN THE MENU	
I6	CONNECTEUR SIM DEFECTUEUX	DEFECTIVE SIM CONNECTOR	
I7	DYSFONCTIONNEMENT D'UNE FONCTION DU MENU	MALFUNCTION OF THE MENU	
I8	RECONFIGURATION DU MOBILE	MOBILE RETROFIT	
PROBLEME MULTIMEDIA			
K1	PROBLEME DATA (SMS, EMS, SMS,GPRS, WAP, TELECHARGEMENT JEUX, SONNERIES, SAUVEUR D'ECRAN, NE COMMUNIQUE PAS AVEC UN PC, POCKET PC OU PALM)	DATA PROBLEM (SMS, EMS, SMS,GPRS, WAP, DOWNLOADING GAMES, RINGING TONES, SCREEN SAVER, NO COMMUNICATION WITH A PC, POCKET PC or PALM)	
K2	FONCTION VIDEO	VIDEO FUNCTION	
K3	FONCTION INFRAROUGE (IRDA)	INFRARED FUNCTION (IRDA)	

Cachet du Vendeur/Dealer's Stamp :		Informations Client /Information :	
		Nom/Name :	
		Rue /Street :	
		Ville / City :	
		Code postal /Postcode :	
		Pays/Country :	
		Telephone /Phone :	
Nom du produit/product :		N° Série/Sérial n° :	
Date d'achat/Date of purchase		N° IMEI :	
Garantie/Warranty :		Hors garantie/Out of warranty :	
Garantie standard/Standard warranty :		Garantie expirée /Expired warranty :	
Déjà réparé/préviously repaired :		Mauvaise utilisation / Missuse	
Code SAGEM	Type de défaut	Kind of fault	
A0	AFFICHAGE DEFECTUEUX	DISPLAY MALFUNCTION	
A10	ANTENNE CASSEE / ABSENTE	ANTENNA BROKEN / MISSING	
B0	ALIMENTATION/CHARGE	POWER SUPPLY / NO CHARGE	
B7	PROBLEME D'AUTONOMIE	AUTONOMY	
B8	BATTERIE DEFECTUEUSE	BROKENBATTERY	
B11	CHARGEUR DEFECTUEUX	CHARGER MALFUNCTION	
C0	PROBLEME CLAVIER	KEYBOARD MALFUNCTION	
C2	PROBLEME TOUCHE LATERALE	LATERAL TOUCH PROBLEM	
D0	MESSAGE D'ERREUR	ERROR MESSAGE	
D1	SIM ABSENTE	SIM MISSING	
D7	CODE POSTE	POST CODE BLOCKED	
E0	PROBLEME AUDIO	AUDIO PROBLEM	
E3	MICRO DEFECTUEUX	MICROPHONE MALFUNCTION	
E5	PROBLEME DE VIBREUR	VIBRATING DEVICE MALFUNCTION	
F0	PROBLEME DE COMMUNICATION	COMMUNICATION MALFUNCTION	
G1	VITRE CASSEE OU ABIMEE	BROCKEN GLASS	
G2	COQUE CASSEE OU ABIMEE	BROCKEN COVER	
G3	FLAP CASSE OU ABIME	BROKEN FLIP	
G5	CLAVIER CASSE OU ABIME	BROCKEN KEYBOARD	
G6	BOUTON VERROU DEFECTUEUX	DEFECTIVE LOCK BUTTON	
K2	FONCTION VIDEO	VIDEO FUNCTION	
K3	FONCTION INFRAROUGE (IRDA)	INFRARED FUNCTION (IRDA)	
K4	FONCTION WAP	WAP FUNCTION	
K5	FONCTION GPRS	GPRS FUNCTION	
K6	FONCTION SMS, EMS, MMS.	SMS, EMS, MMS FUNCTION	
K7	NE COMMUNIQUE PAS AVEC UN PC	NO COMMUNICATION WITH A PC	
K8	NE COMMUNIQUE PAS AVEC UN POCKET PC OU PALM	NO COMMUNICATION WITH A POCKET PC or PALM	
K9	LIAISON DATA (MESSAGE "AUCUNE PORTEUSE DETECTEE")	DATA (MESSAGE "NO CARRIER DETECTED")	
K10	TELECHARGEMENT JEUX	DOWNLOADING GAME	
K11	TELECHARGEMENT IMAGE / SON / ECONOMISEUR D'ECRAN	DOWNLOADING PICTURE / RINGTONE / SCREEN SAVE	
H1	KIT ACCESSOIRES HS	BROCKEN ACCESSORIES	
H2	FONCTION FM (MOBILE)	FM FUNCTION	
H3	FONCTION MONETIQUE	MONETIC FUNCTION	
I5	MANQUE FONCTION DANS MENU	LACK FUNCTION IN THE MENU	
I7	DYSFONCTIONNEMENT D'UNE FONCTION DU MENU	MALFUNCTION OF THE MENU	
I8	RECONFIGURATION DU MOBILE	MOBILE RETROFIT	
I0	AUTRES DEFAUTS A PRESICER	OTHERS / TO BE PRECISED	

OUT OF WARRANTY INTERVENTION

 SAGEM	REMOVING/ REPLACING THE DATA/ AUDIO/ CHARGE CONNECTOR	Proc Sheet 4 01
myX5-2/ myV-55		1/3

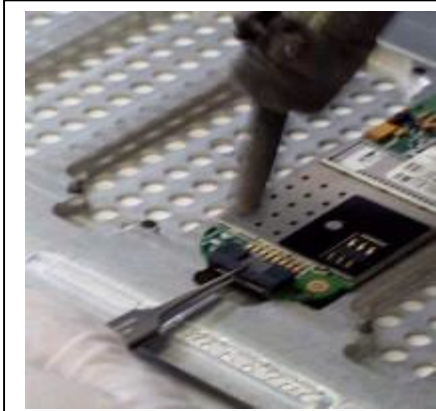
Notice: The handsets requiring the replacement of system connectors cannot be repaired under Sagem warranty.

The eventual deterioration of the board due to a bad replacement of the connector fall under the Repair Centre responsibility.

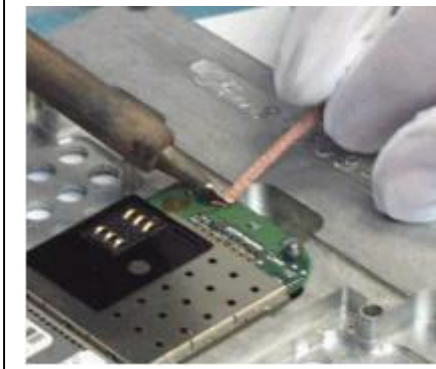
- Replacement procedure of DATA/ AUDIO/ CHARGE connector

- 1-Disassemble the handset Proc 1 04
- 2-Replace the defective connector (see below) **Ref 18 598 906-8**
- 3 - Replace the electronic board in the mobile phone Proc 1 04
- 4 -To test the replacement of the connector, it is necessary to:
 - a) Connect the mobile phone on SMT maintenance software (test Sheet 01)
 - b) Make real calls with a pedestrian handsfree Kit **Reference :23 812 517-0**
 - c) Test the charge of mobile phone
- 5 - Standard test after repair

 SAGEM	REMOVING/ REPLACING THE DATA/ AUDIO/ CHARGE CONNECTOR	Proc Sheet 4 01
myX5-2/ myV-55		2/3



- Maintain the electronic board
 - flux Correctly the pins of the connector.
 - Reference of the flux to be used:
 - LITTON flux -Supplier reference 952-D6
 - SAGEM reference18 775 103-7
 - With tweezers, hold the connector and heat the pins up.
- ATTENTION:**
- Do not pull the connector but let it come , in order to avoid destroying the pads



After having removed the connector, uncork rather quickly the four holes of the connector while the tin is still warm.



Flux and heat the pads in place of the connector to equalise the foot prints



In order to tin the pins of the DATA/ AUDIO/ CHARGE connector, load the solder wick with tin on approximately 1 inch.

 SAGEM	REMOVING/ REPLACING THE DATA/ AUDIO/ CHARGE CONNECTOR	Proc Sheet 4 01
myX5-2/ myV-55		3/3

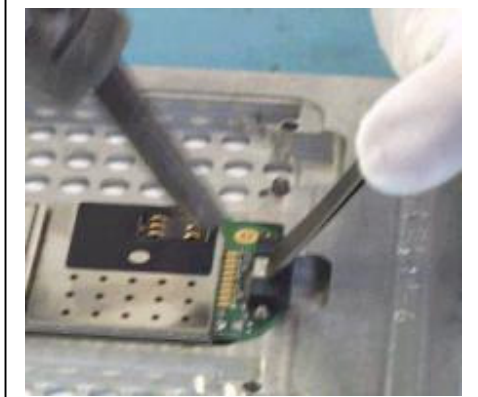


Before any operation,

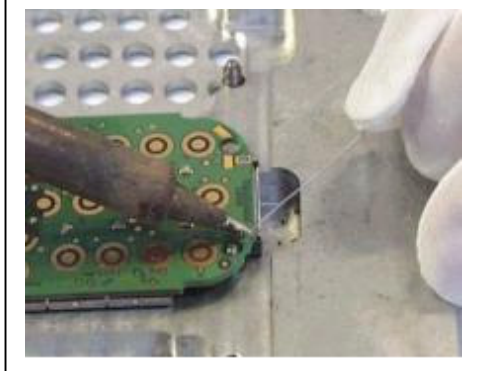
- flux correctly the pins of the connector.
- with the solder wick loaded with tin , tin the pins of the DATA/ AUDIO/ CHARGE connector by positioning it straight ahead (pads upward), and by heating the solder wick which is in touch with pins.

Attention:

- At the end of the operation , verify that there is no short circuit between pads



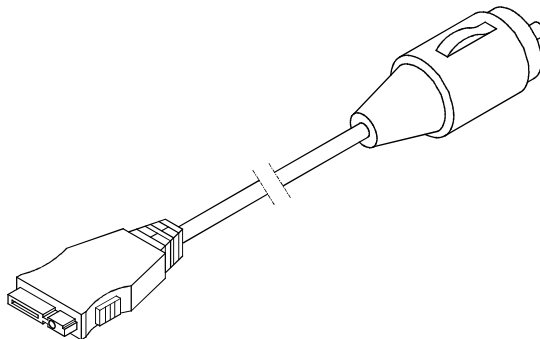
- Start soldering the connector pins.
- Flux the place of the connector and position the DATA/ AUDIO/ CHARGE connector.
- Verify that the pins of the DATA/ AUDIO/ CHARGE connector are well centred on pads.
- Heat pins with an air blow device while maintaining the connector with tweezers
- Verifv that there is no short-circuit that solders are shiny



At last, solder the 4 pins crossing the board..

CHAPTER 6 - ACCESSORIES

6.1 12 V / 24 V CHARGERS



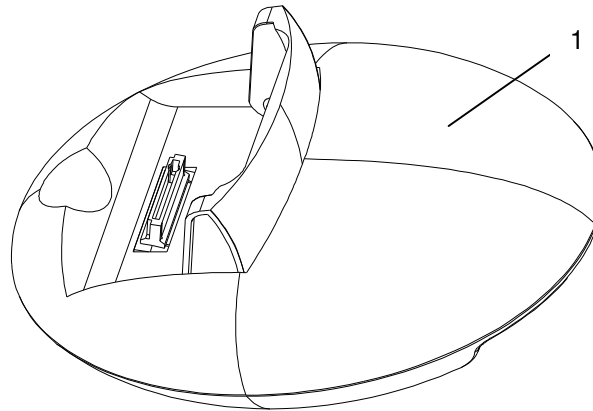
6.1.1 Description

This charger is for use in a car (or truck) only. The adapter is fitted with a cigar lighter type connector. AC1 is used to charge a mobile on a cigar lighter connector.

6.1.2 Characteristics

Item	Packaging reference	Input voltage	No load voltage	Output current
CIGAR LIGHTER CHARGER AC1	Blister	10.8 to 30 V=	6.5 V	500 mA

6.2 DESKTOP CHARGERS AND CRADLES



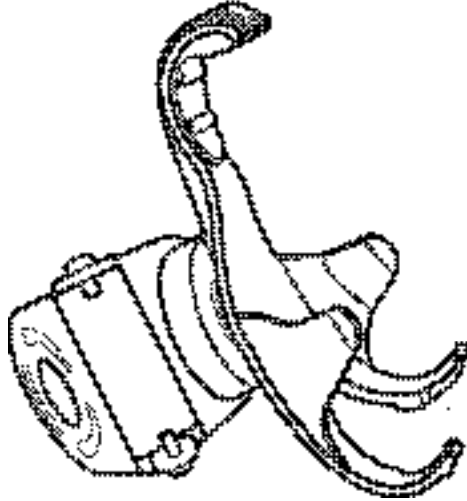
6.2.1 Description

This charger could charge a mobile, while acting as holder the handset.

6.2.2 Characteristics

Item	Designation	Nature
1	SIMPLE DESKTOP CRADLE	Simple support recess

6.3 *CAR CRADLE*



6.3.1 *Description*

Car cradle compatible with AC1 or antenna adapter.

6.3.2 Characteristics

Item	Packaging	Comments
CAR CRADLE KIT mechanical	BLISTER	Mechanical cradle

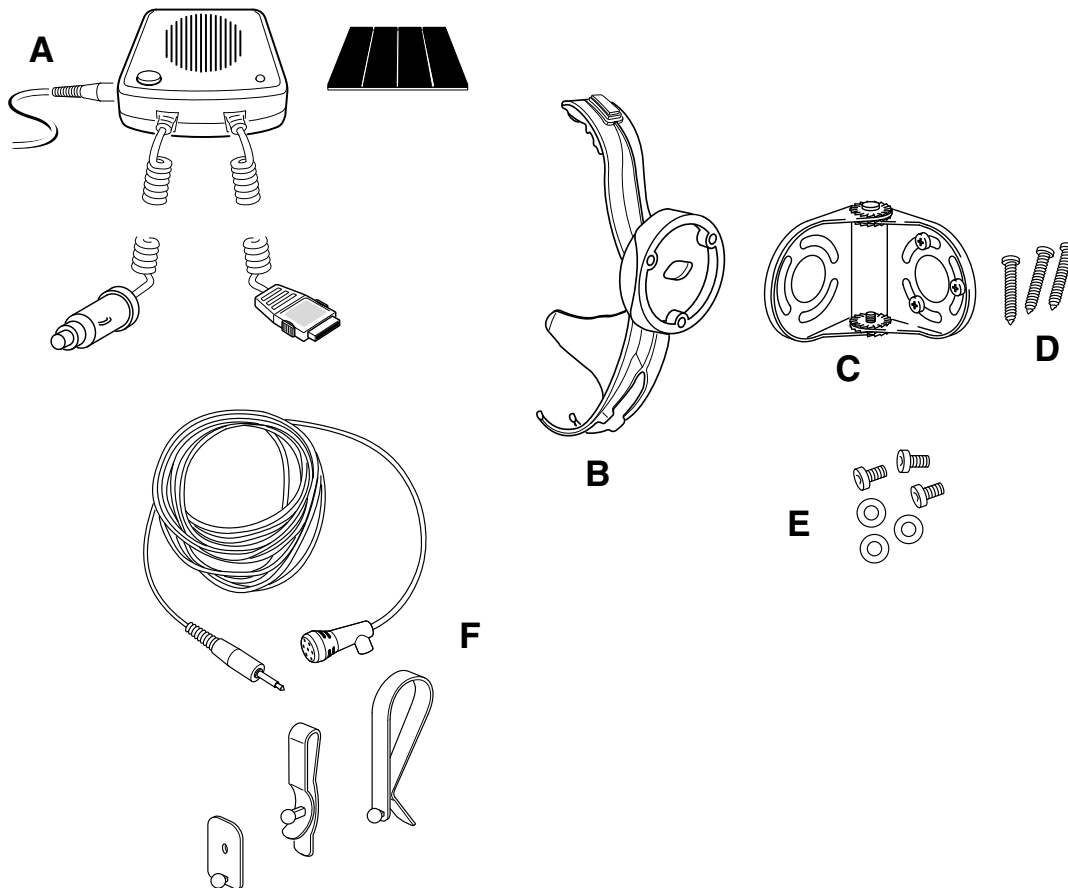
6.4. FULL DUPLEX CAR HANDSFREE KIT

6.4.1. Description

Rapido Kit : "compact" kit on cigar lighter,
 Kit K3 : "confort" kit for integration in car with phone equipment.

6.4.2. Characteristics

Item	Packaging	Comments
Rapido kit	Box	No antenna.



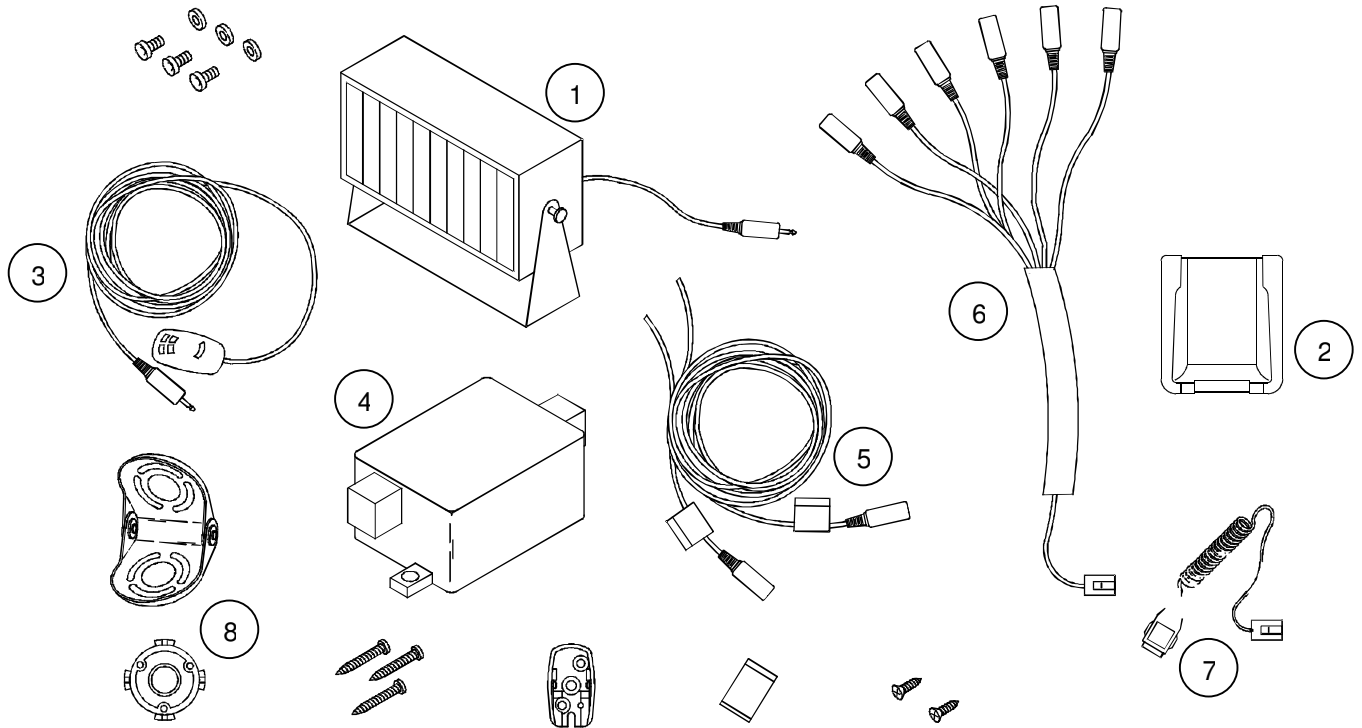
A : Connecting case and loudspeaker.

B : Cradle.

C, D et E : Support kit.

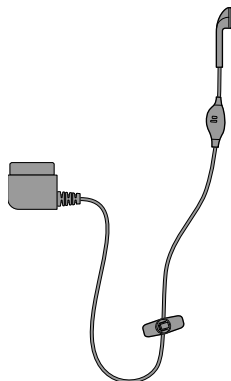
F : Microphone.

Item	Packaging	Comments
KIT K3	Box	No antenna. Requires car installation 900/1800 MHz dual band



- 1 : Loudspeaker.
- 2 : Cradle.
- 3 : Microphone.
- 4 : Connecting case.
- 5 : Power supply cable.
- 6 : Cable : microphone, loudspeaker, car ⇔ connecting case.
- 7 : Cable : mobile ⇔ connecting case.
- 8 : Support kit.

6.5 PEDESTRIAN HANDSFREE KIT



6.5.1 Description

Ear support with microphone on the cable for handsfree conversation.

6.5.2 Characteristics

Item	Dimensions	Loudspeaker impedance	Microphone
PEDESTRIAN HANDSFREE KIT	Length: 1.25 m Dist. micro/loudspeaker: 25 cm	150 Ω 119 dB SPL	2,2 kΩ -42 dB SPL

6.6 DATA CABLES

6.6.1 Description

Data cables are used for transferring data through standard equipment.

6.6.2 Characteristics

Item	Packaging	Target mobile	Mobile link to	Signals
DATA CABLE	Blister	Range 900/3000/myX-3/ myX-5/myX5-2/ myV-55	PC	Standard V28 3V<Us<-3V Fmax = 115kbauds
DATA CABLE PC/USB	Blister	MyX-6/myX5-2/ myV-55	PC	

CHAPTER 7 - TECHNICAL INFORMATION BULLETIN

7.1 PURPOSE

The purpose of the Technical Information Bulletin (TIB) is to complete the maintenance operations described in this document. They give to the repair centers the complementary technical informations and the corrective procedures to be applied to maintain the product following it's evolution.

7.2 APPLICATION

The Technical Information Bulletin (TIB) are reference and must be applied by the repair centers.

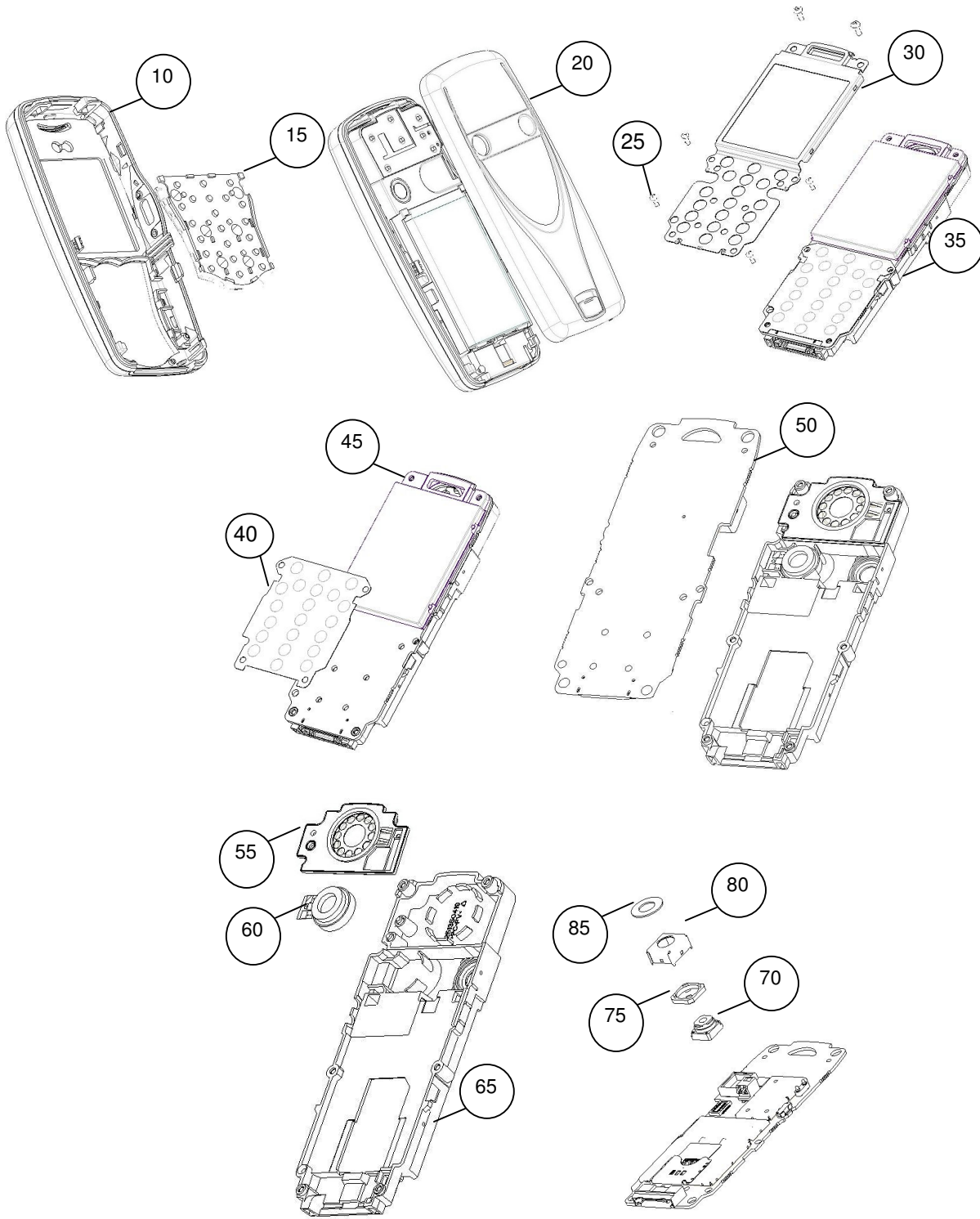
The Technical Information Bulletin (TIB) will be sent only to the concerned repair centers. The Technical Data Bulletin will not be received by the repair centers with a reference number in sequence.

The follow up of the Technical Information Bulletin (TIB) and the action being to be performed are under the responsibility of the repair centers.

CHAPTER 8 - ILLUSTRATED PART CATALOG

8.1 myX5-2/ myV-55 spare parts

ASSEMBLY	QTY	DESIGNATION
10	1	Front cover
15	1	Elastomer keyboard
20	1	Rear cover
25	6	RLX 1,8-6 screw
30	1	Assembly flange
35	1	Assembly plate
40	1	Metal dome
45	1	color display
50	1	Electronic board
55	1	Loudspeaker with housing
60	1	Vibrate
65	1	Plate
70	1	Camera
75	1	Spacer
80	1	Top shield case
85	1	Camera joint



APPENDIX 1 - COMPOSITION TABLE

1. PURPOSE

This chapter contains the SAGEM codes of articles mentioned throughout the Site Technical Documentation.

LIST OF ARTICLES

TEST TOOLS	
Designation	Reference
ed downloading kit	23 810 395-5
charger test kit	23 810 480-8
-2/ myV-55 LCD/Metal dome jig	25 158 519-0
-2/ myV-55 radio interface	25 151 635-6
-2/ myV-55 calibration tool	To define
insert tool	25 131 873-4
Chart	25 134 968-5

12 V / 24 V CHARGERS	
Designation	Reference
Cigar-lighter charger AC1	23 810 045 - 9

DESKTOP CHARGERS	
Designation	Reference
Desktop charger	23 812 376 - 7

FULL DUPLEX CAR HANDSFREE KIT	
Designation	Reference
Kit K3	23 811 416 - 4
Rapido Kit	23 811 861 - 7
Simple car support	23 812 339 - 5

PEDESTRIAN HANDSFREE KIT	
Designation	Reference
Pedestrian handsfree kit	188 133 80 - 3