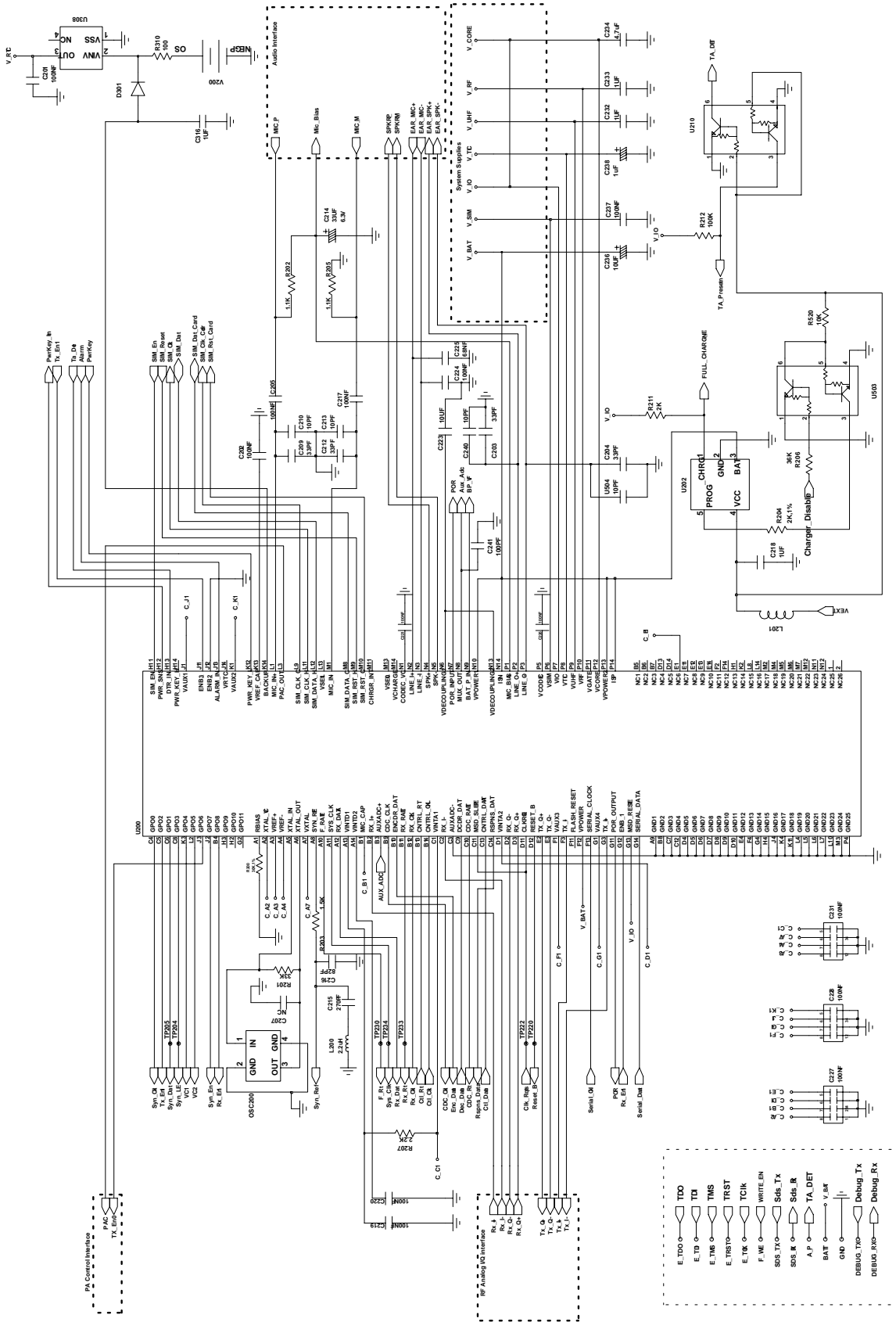
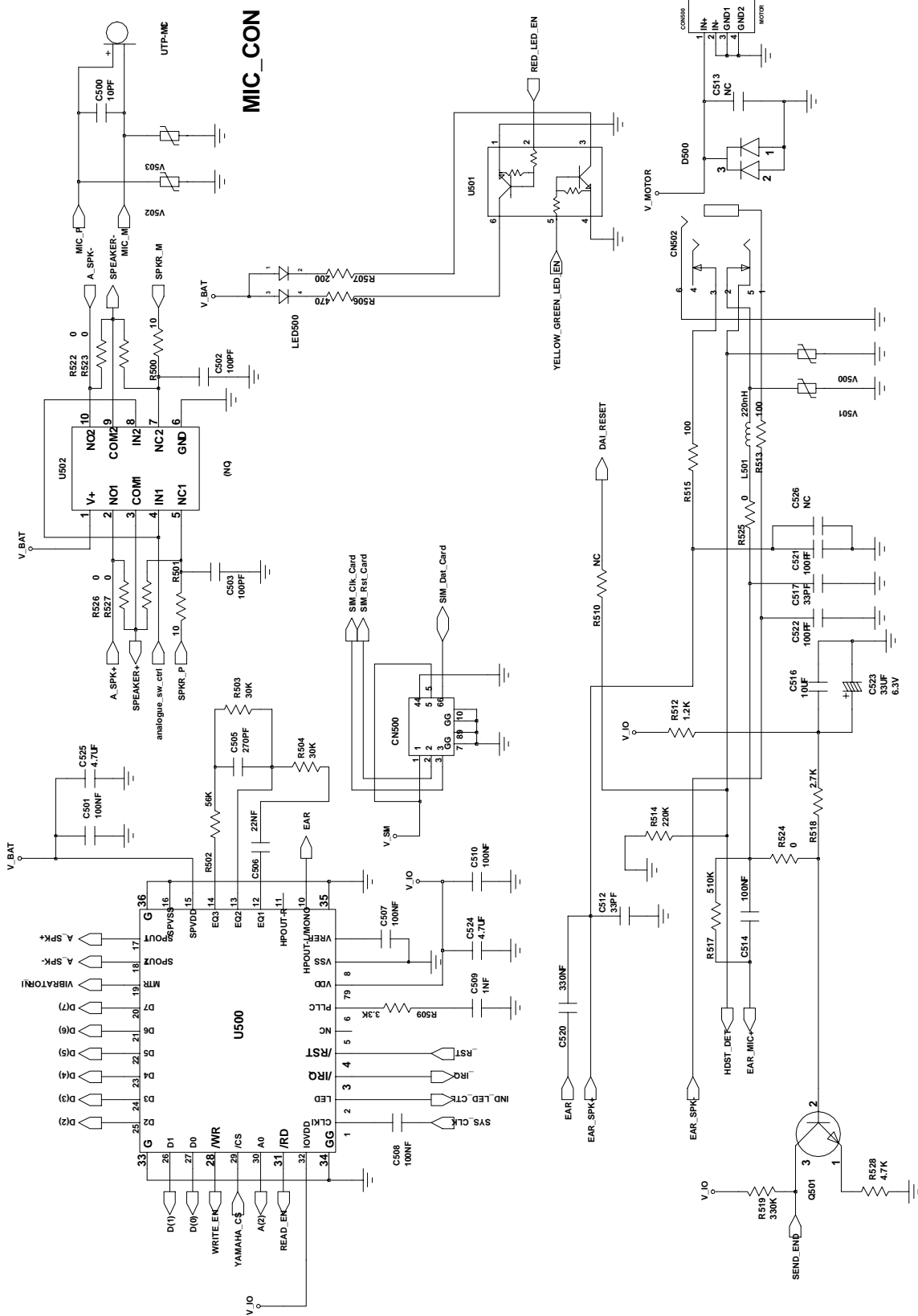
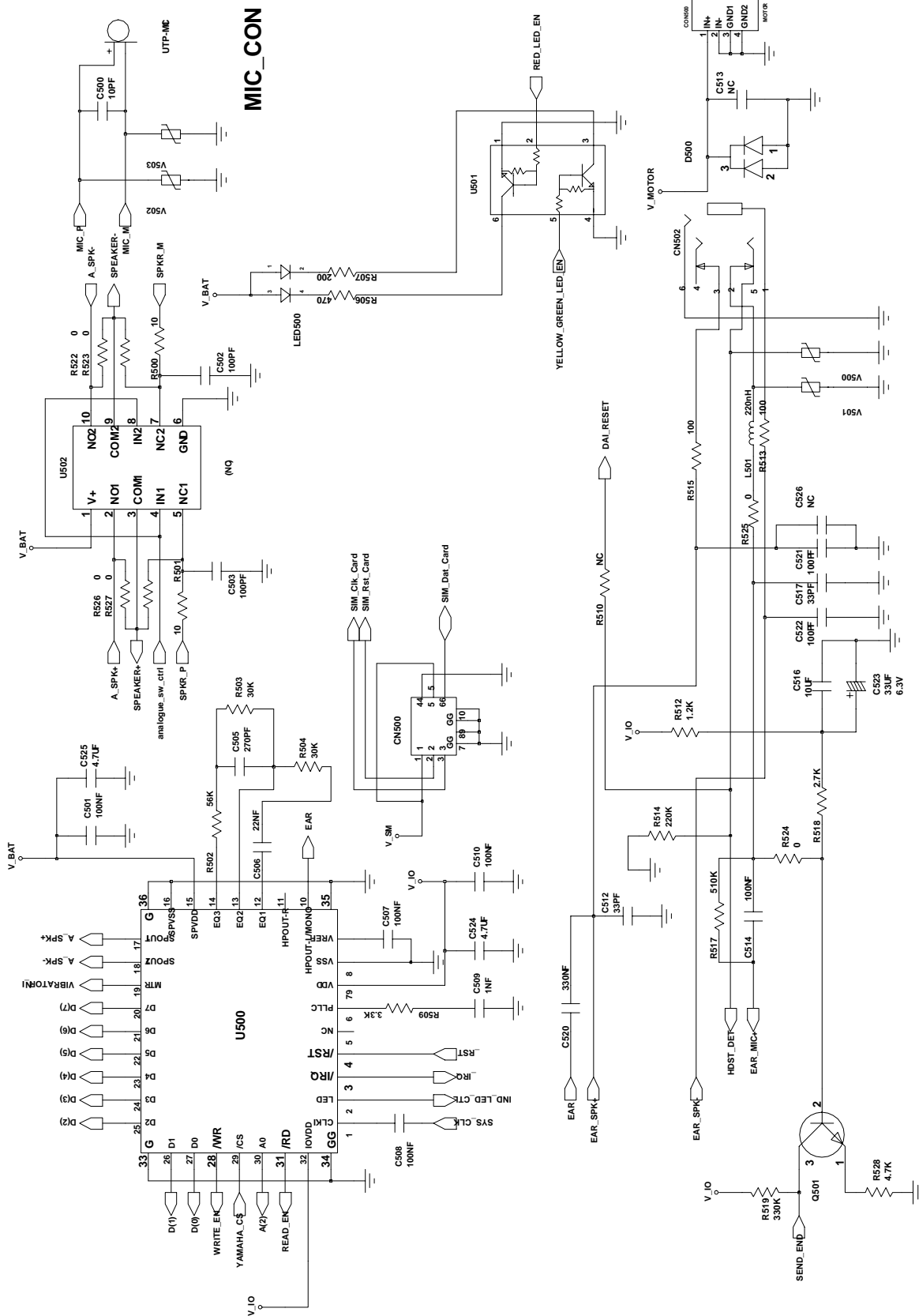


# SGH-C110 Flow Chart of Troubleshooting









# 6. SGH-C110 PCB Diagrams

## 1. Main PCB Top Diagram

