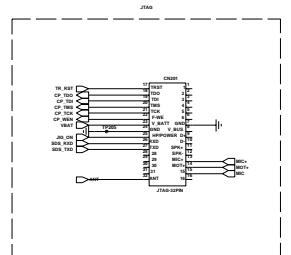
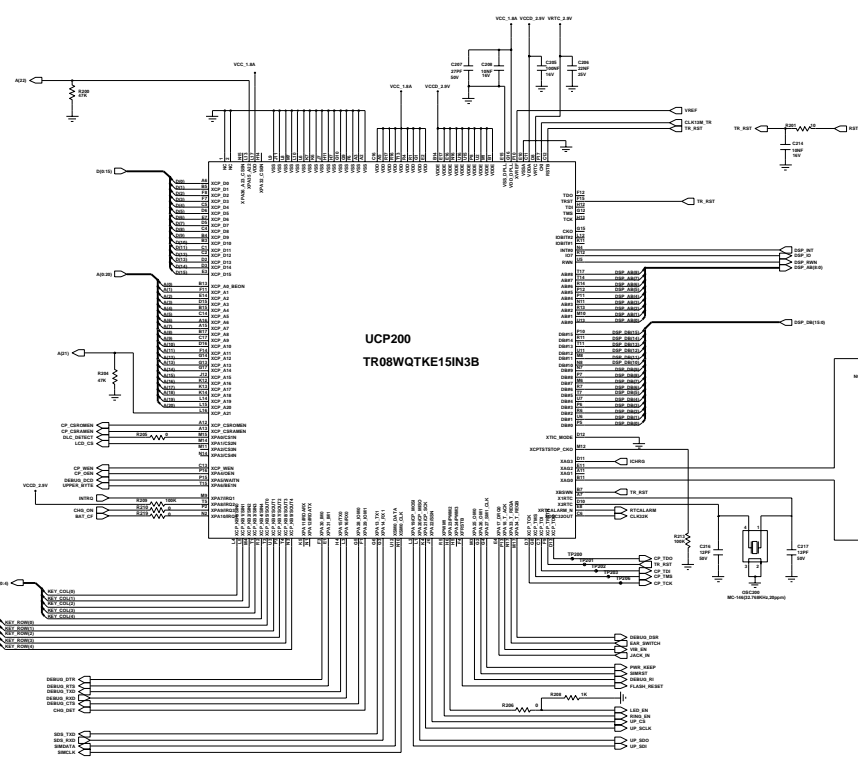
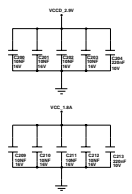
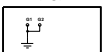


Engineer	SAMSUNG ELECTRONICS		
Drawn by			
REP CHK	TITLE: <b>SGH-C120</b>		
ENC CTRL CHK	Size A3		
MFG ENG CHK			

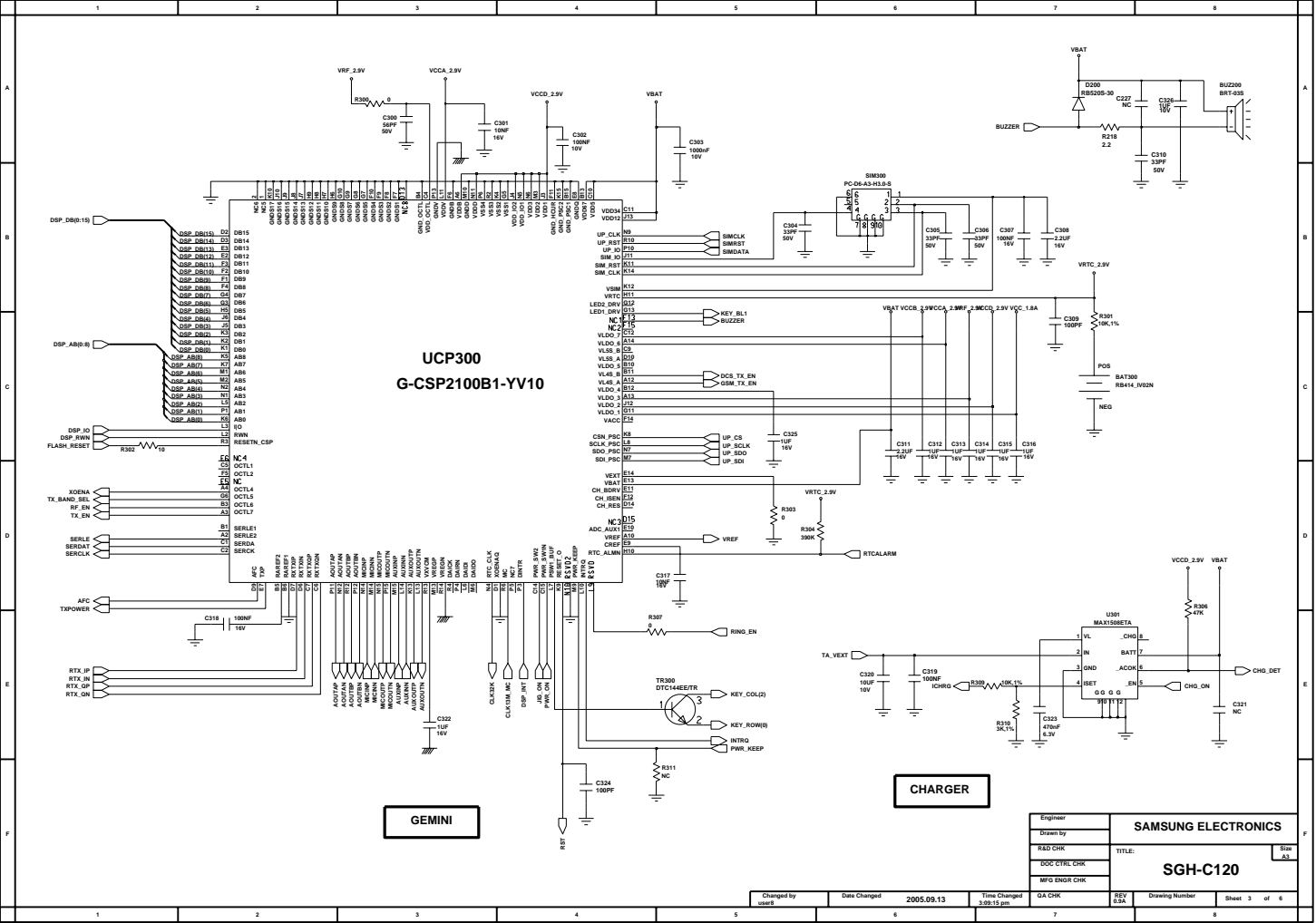


UCP200  
TR08WQTK615IN3B

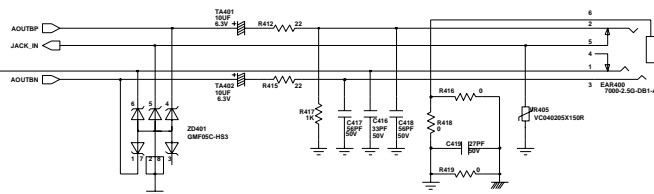
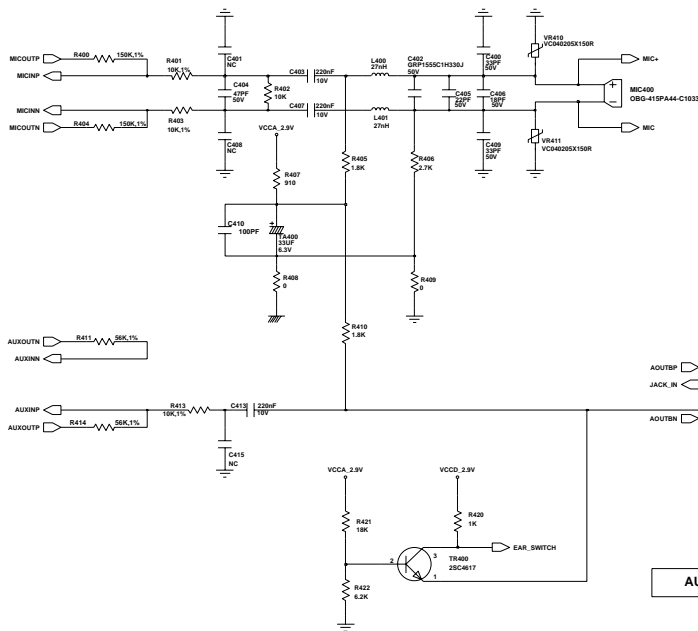
TREND



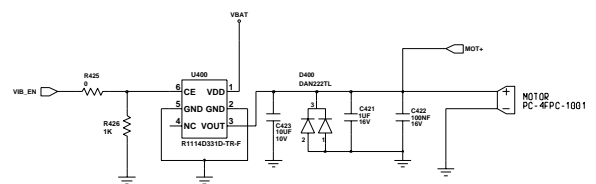
SAMSUNG ELECTRONICS	
Part No.	SGH-C120
Rev.	1.0
Date	2005.05.13
Author	Y. J. Kim
Checker	Y. J. Kim
Appr.	Y. J. Kim
Design	Y. J. Kim
Draw	Y. J. Kim
Print	Y. J. Kim



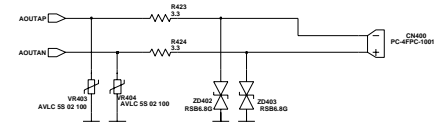
Engineer	<b>SAMSUNG ELECTRONICS</b>		
Drawn by			
RED CHK	TITLE: <b>SGH-C120</b>		
ESC CTRL CHK	Size A3		
MFG ENGR CHK	<b>SGH-C120</b>		



**AUDIO**



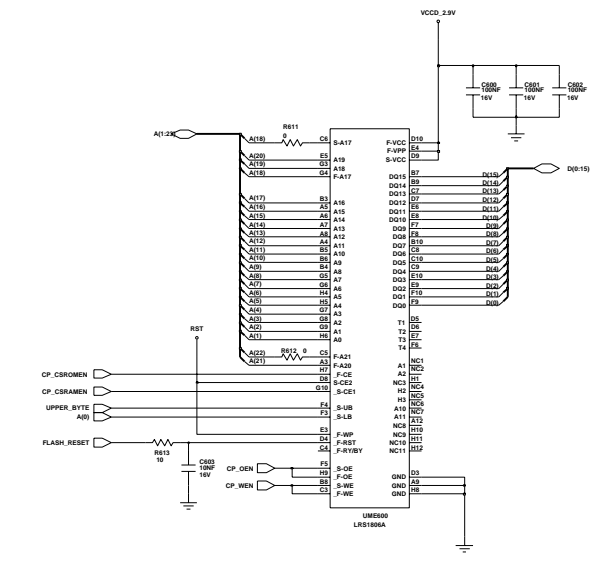
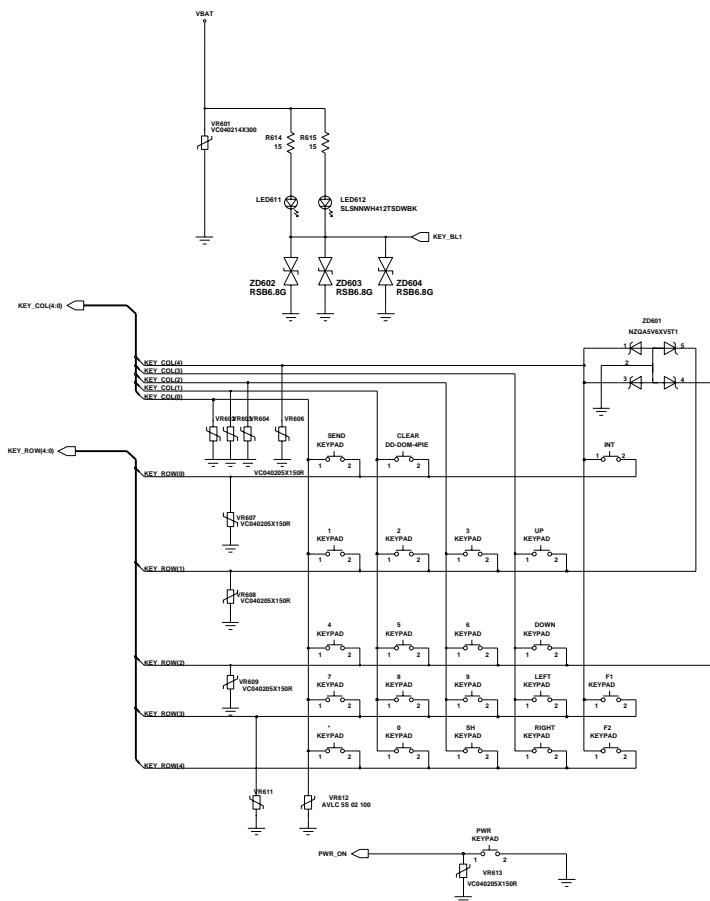
**VIBRATOR**



**RECEIVER**

Engineer	<b>SAMSUNG ELECTRONICS</b>		
Drawn by			
REP CHK	TITLE:	<b>SGH-C120</b>	
ESC CTRL CHK			
MFG ENGR CHK			





MEMORY

Engineer	SAMSUNG ELECTRONICS		
Drawn by	TITLE: SGH-C120		
RED CHK	REV: 5.3A		
ENC CTRL CHK	Drawing Number		
MFG ENGR CHK	Sheet 6 of 6		

CN400

MOD500

G1

G2

ZD604 LED611 ZD603 R614

ZD602 LED612 R615 R608

F1

LEFT

UP

INT

RIGHT

F2

SEND

R607

DOWN

CLEAR

PWR

R602

R601

1

2

3

R608

4

R609

5

6

R604 R603

7

R601 R602

8

9

\*

0

SH

