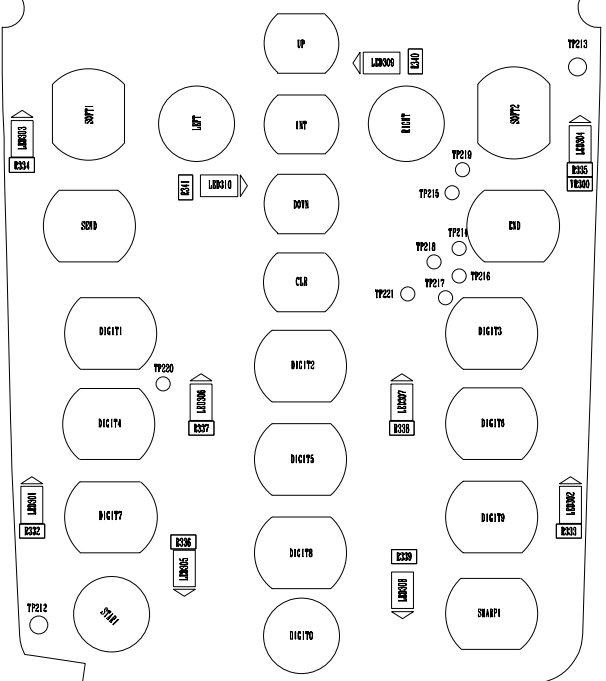
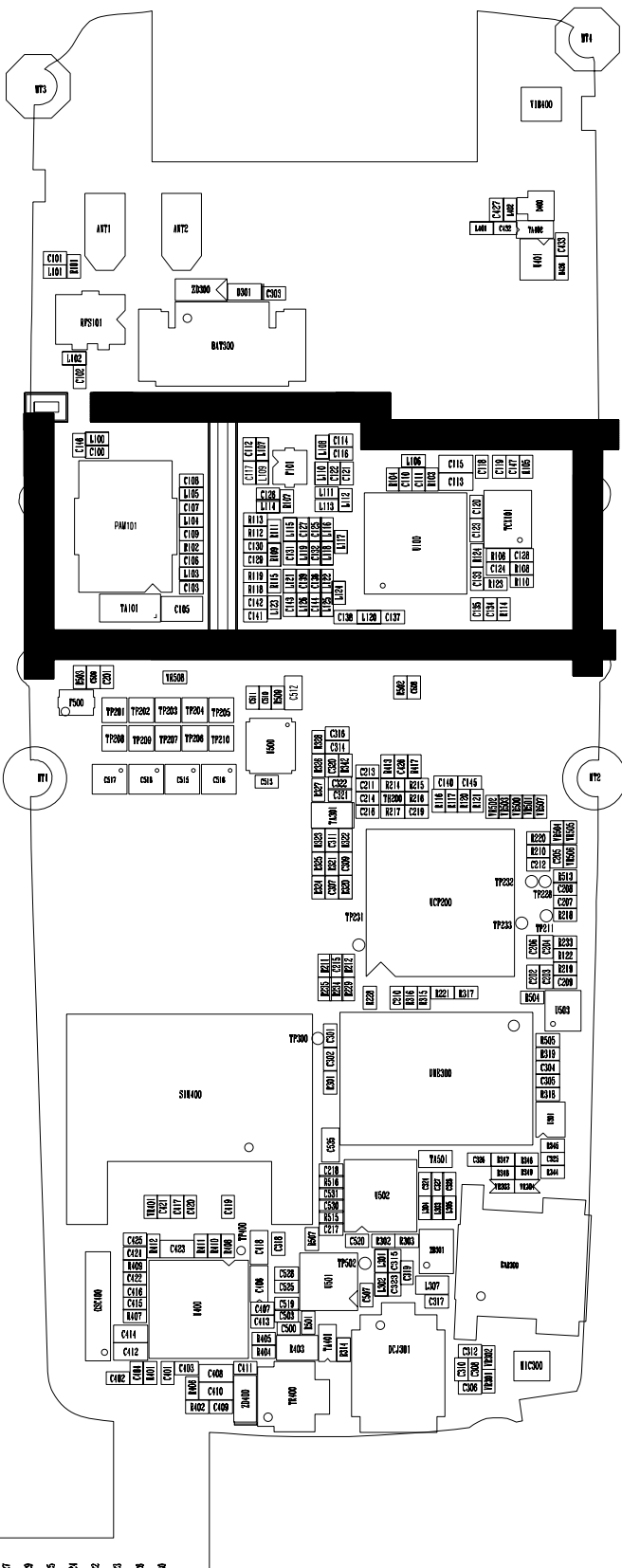


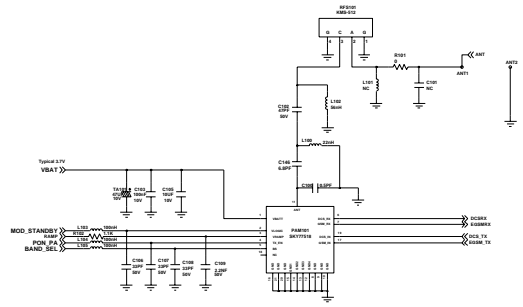
874	
L501	L500
D501	N500
C501	C502

SLC500



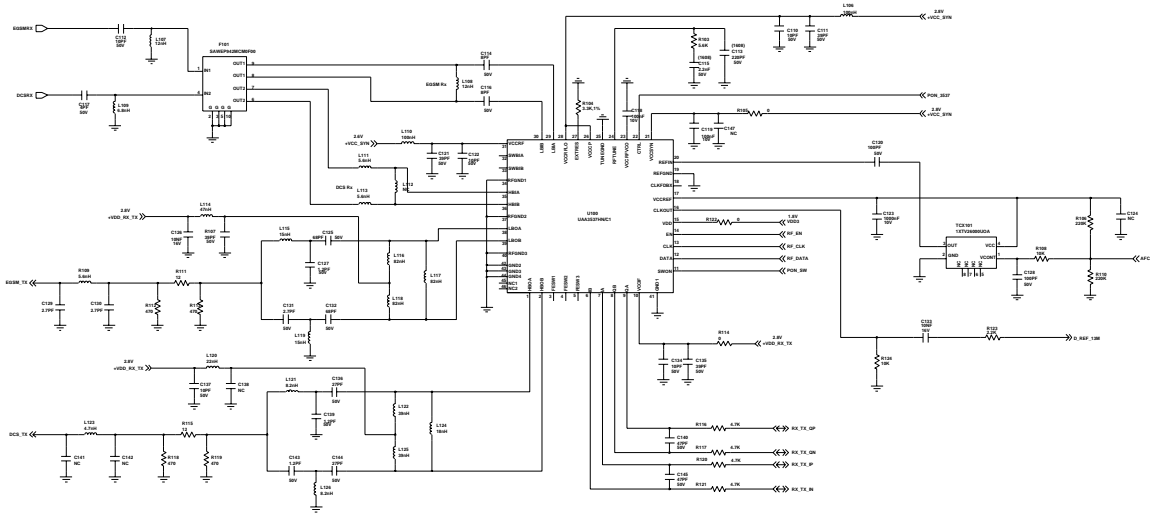


- TP227
- TP229
- TP225
- TP224
- TP222
- TP223
- TP226
- TP230

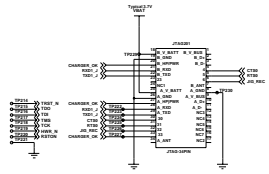
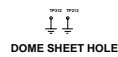
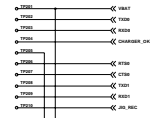
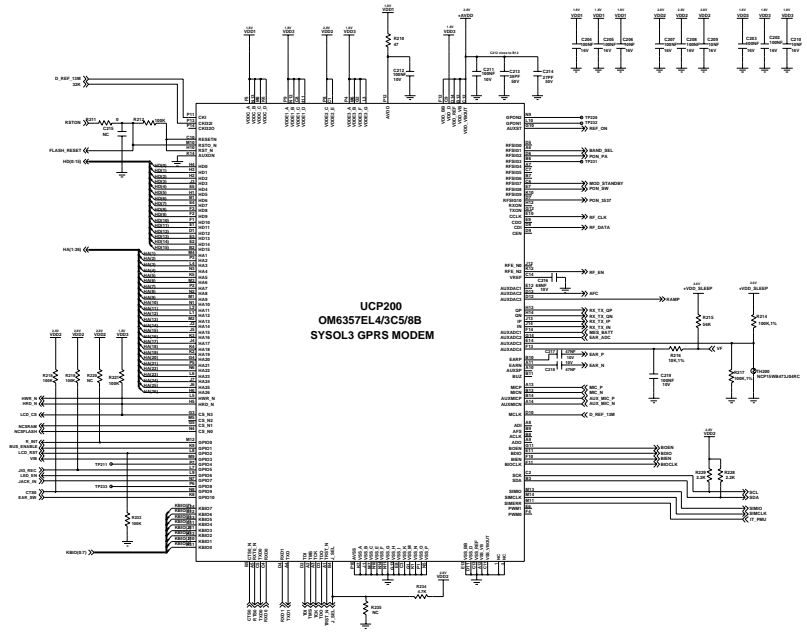


	MOD_STANDBY	POW_PA	BAND_SEL
STANDBY	L	-	-
GSM_RX	H	L	L
DCS_RX	H	L	H
GSM_TX	H	H	L
DCS_TX	H	H	H

TX Module S/W Control Circuit

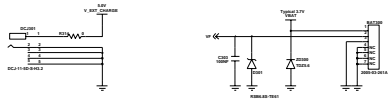


SAMSUNG PROPRIETARY
 THIS DOCUMENT CONTAINS CONFIDENTIAL
 INFORMATION. REPRODUCTION OF THIS DOC-
 UMENT IS STRICTLY PROHIBITED. ANY REPRODUCTION
 OR DISCLOSURE TO A THIRD PARTY WITHOUT THE
 WRITTEN PERMISSION OF SAMSUNG ELECTRONICS
 CO. IS STRICTLY PROHIBITED BY SAMSUNG ELECTRONICS
 CO.

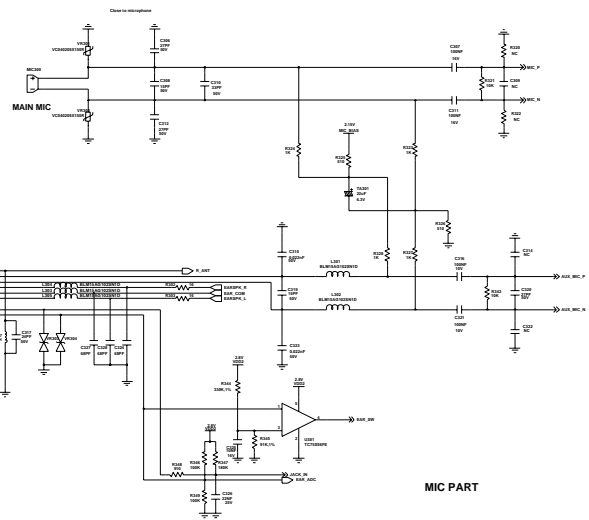


Engineer	SAMSUNG ELECTRONICS
Drawn by	SHIL
Checked by	SHIL
Approved by	SHIL
Part Name	SGH-C160(VIRTUOUS)

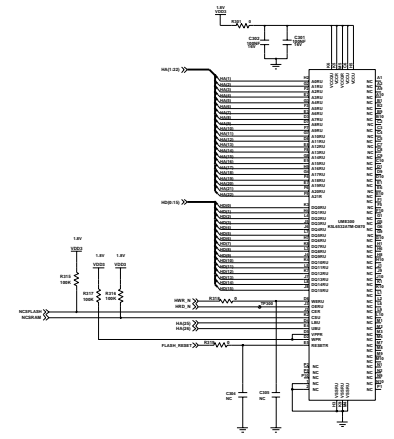
SAMSUNG PROPRIETARY
 THIS DOCUMENT CONTAINS CONFIDENTIAL
 INFORMATION. INFORMATION OF THIS TYPE
 IS UNCLASSIFIED ONLY BY THE ISSUING
 OFFICE OR ITS SUCCESSORS. THIS DOCUMENT
 IS UNCLASSIFIED AND APPROVED FOR PUBLIC RELEASE



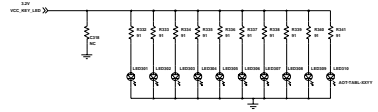
IO CONNECTOR



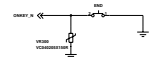
MIC PART



MEMORY

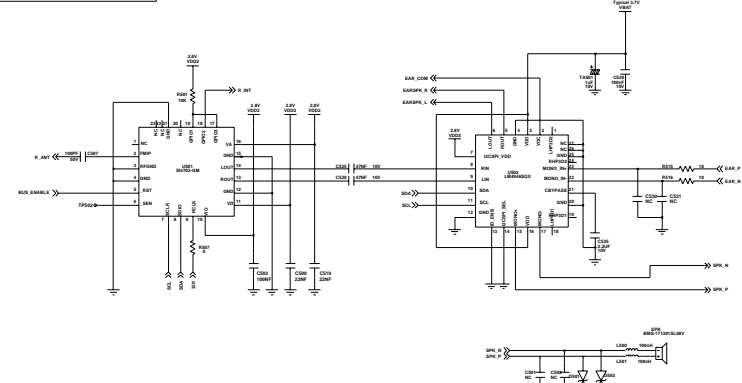


KEY LED

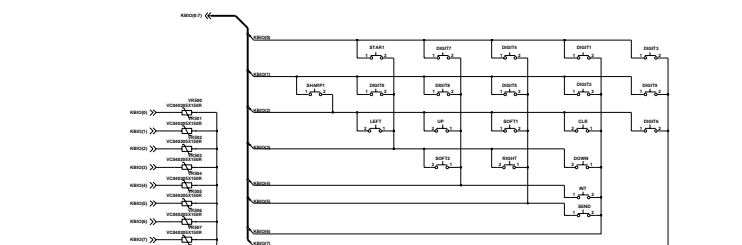


POWER KEY

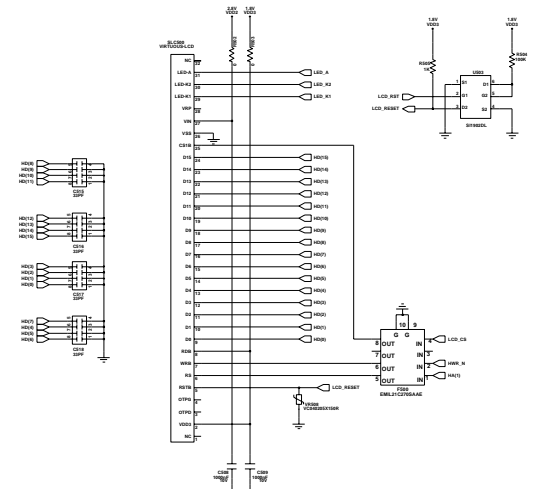
Engineer	SAMSUNG ELECTRONICS	
Drawn by	SILE	
Check by	SILE	
Approved by	SAMSUNG ELECTRONICS	
Part Name	SGH-C160(VIRTUOUS)	
Part No.	-	



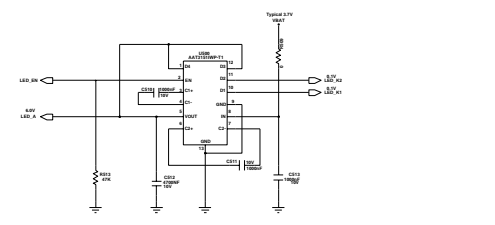
FM RADIO & Audio



MAIN KEY MAP



LCD CONNECTOR



LCD BACKLIGHT

Engineer	SAMSUNG ELECTRONICS	
Checked by	TITLE	
Rev. No.	SGLH-C160(VIRTUOUS)	
Specification No.		
Specification Ver.		