

VIB1

SPEAKER

CN200

②10 ②11 ②09 ②08 ②07 ②06 ②05 ②04

V815  
D809  
V812 V814

F1

SEND

LEFT

UP

INT

RIGHT

V817  
D811

F2

1205

V801  
D802  
V809 V802

DOWN

CLEAR

V808  
D808  
V804

PMR

1

4

7

\*

V803  
V813  
D801

2

5

8

0

V814  
D805  
R811

3

6

9

SH

D807  
R813  
V804

D804  
R810

D806  
R812

D803  
R809

6

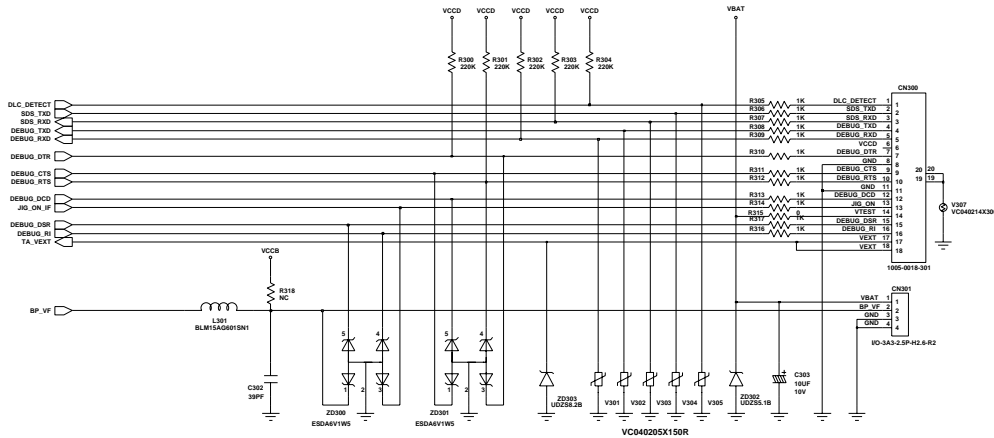
9

0







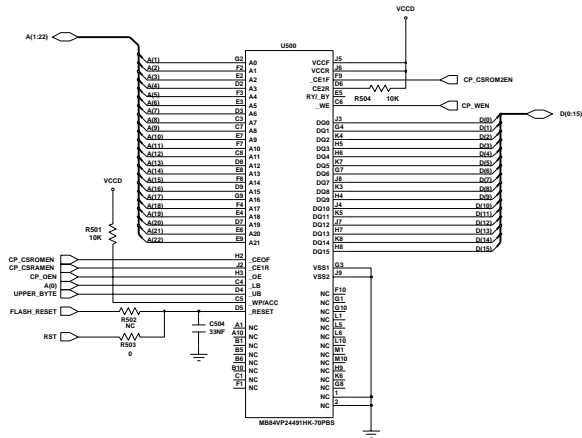
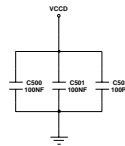


I/F CONNECTOR

Engineer	<b>SAMSUNG ELECTRONICS</b>			Size A3		
Drawn by						
R&D CHK					TITLE:	<b>SGH-C200</b>
DWG CTRL CHK					REV	2.4
MFG INSUR CHK	Drawing Number	Sheet 3	of 9			

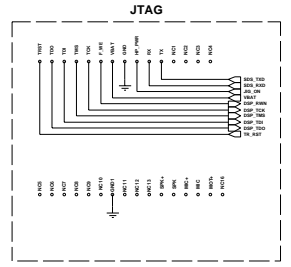
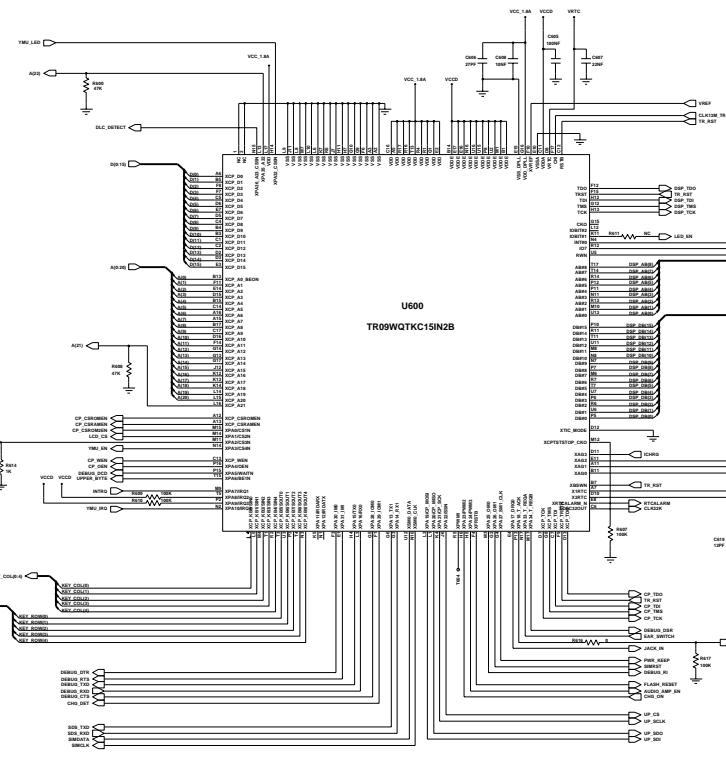
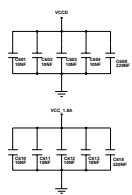
Changed by	Date Changed	2004.08.30	Time Changed	1:10:28 pm	QA CHK
------------	--------------	------------	--------------	------------	--------





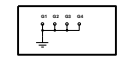
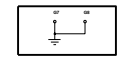
MEMORY

Engineer	<b>SAMSUNG ELECTRONICS</b>		Size A3	
Drawn by				
REP CHK				TITLE:
DOC CTRL CHK				<b>SGH-C200</b>
MFG ENDR CHK				



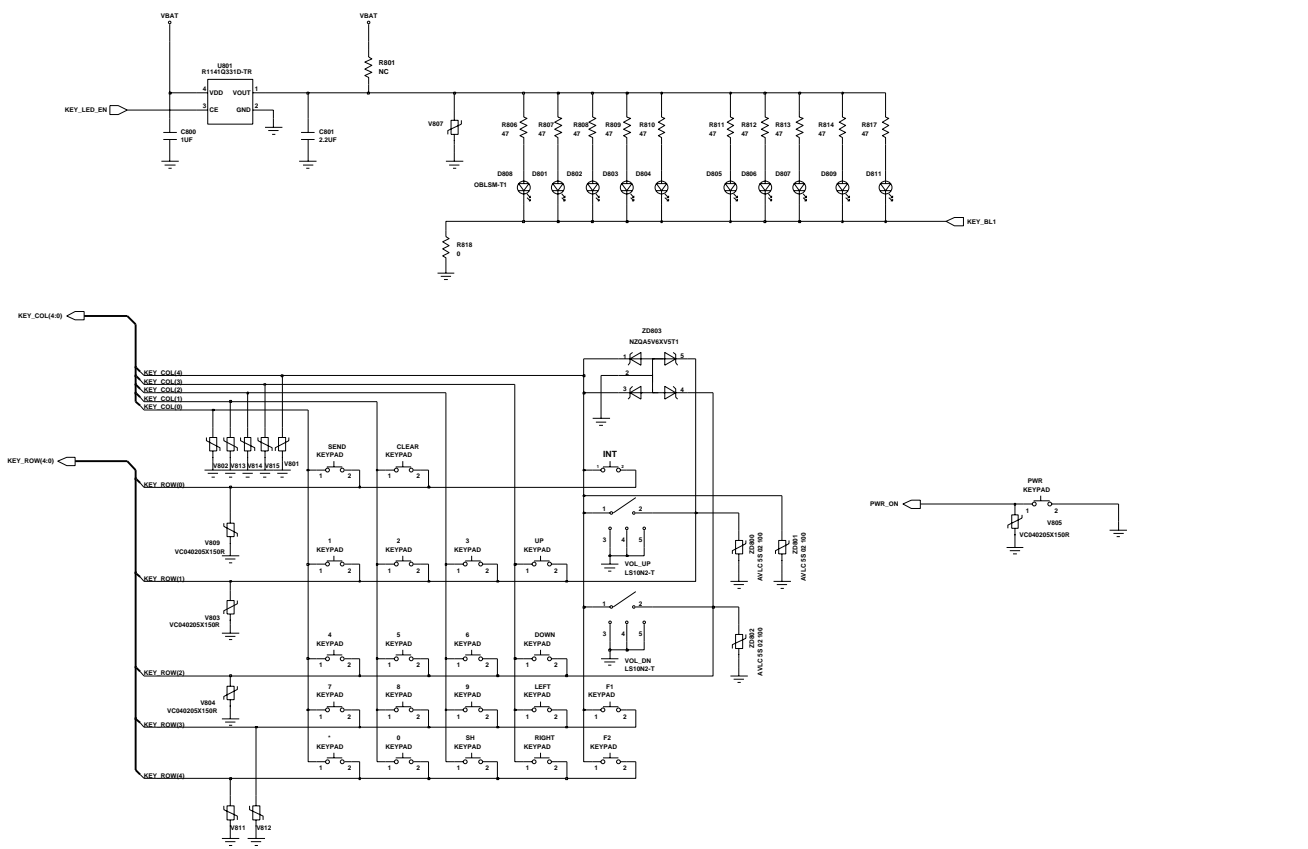
U600  
TR09WQTKC15IN2B

TRIDENT

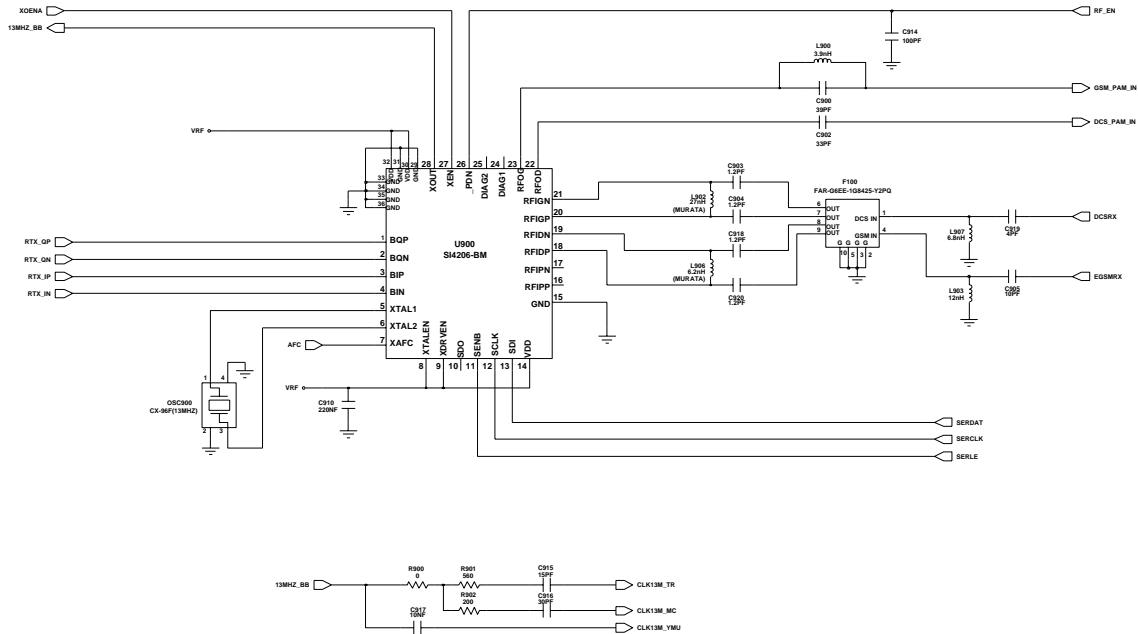


Part Number	U600
Manufacturer	SAMSUNG ELECTRONICS
Package	QFN-15
Notes	1. U600 is a trademark of Samsung Electronics Co., Ltd.
Revision	1.0

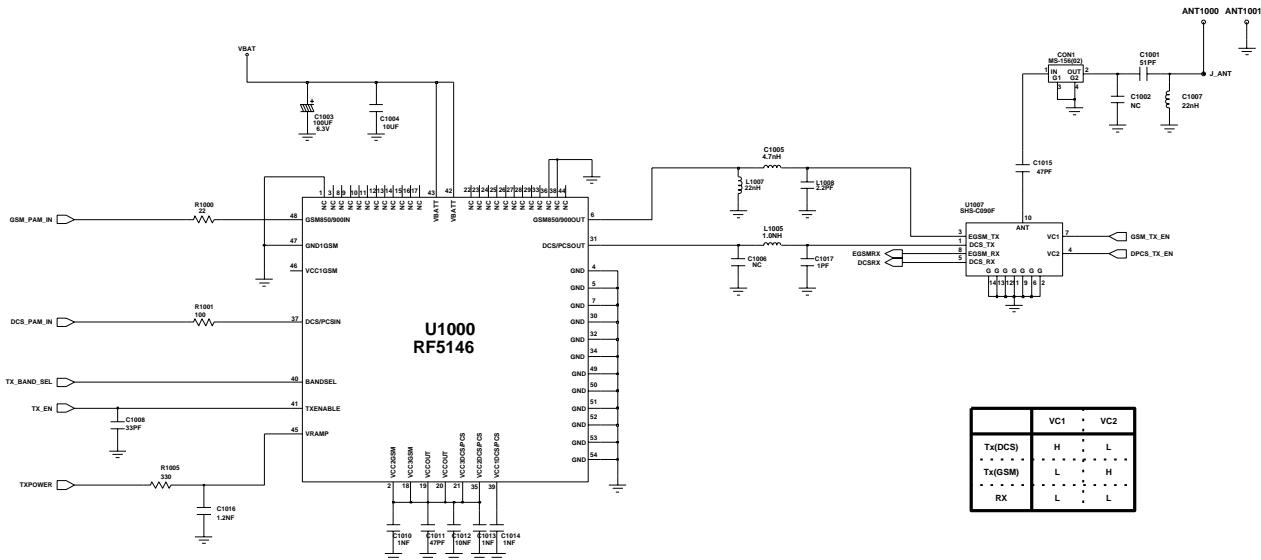




Engineer	<b>SAMSUNG ELECTRONICS</b>	
Drawn by	TITLE: <b>SGH-C200</b>	
RD/CHK	Size AS	
DOC CTRL CHK	<b>SGH-C200</b>	
MFG ENGR CHK		



Engineer	SAMSUNG ELECTRONICS		
Drawn by	TITLE: <span style="float: right;">Size AS</span>		
RF/CLK	SGH-C200		
DC/CTRL CLK			
RF/EN/CLK			



Engineer	<b>SAMSUNG ELECTRONICS</b>				
Drawn by					
RAU-ENK				TITLE:	SGH-C200
DQC CTRL CHK				REV	2.4
MPG ENDR CHK	Drawing Number	Sheet	9 of 9		