

ASSY COMP

RECEIVER

PPC800

F802 F800

VR777

UP

VR706

F700

LEFT

INT

RIGHT

F701

F701  
LB701

F701  
LB707

SEND

VR705  
F702  
LB702

DOWN

VR708  
F706  
LB708

PWR

F810

F812

C8

F809

1

VR708  
F704  
LB704  
VR703

2

VR709  
F710

3

F803

F805

F813

F705  
LB705

4

5

LB710  
VR710  
VR711

6

F811

7

8

VR712  
F704  
F706  
LB706

9

F703  
LB703  
F711

F708  
LB708

F806

F808

F807

STAR

LB700  
F700  
VR701  
VR702

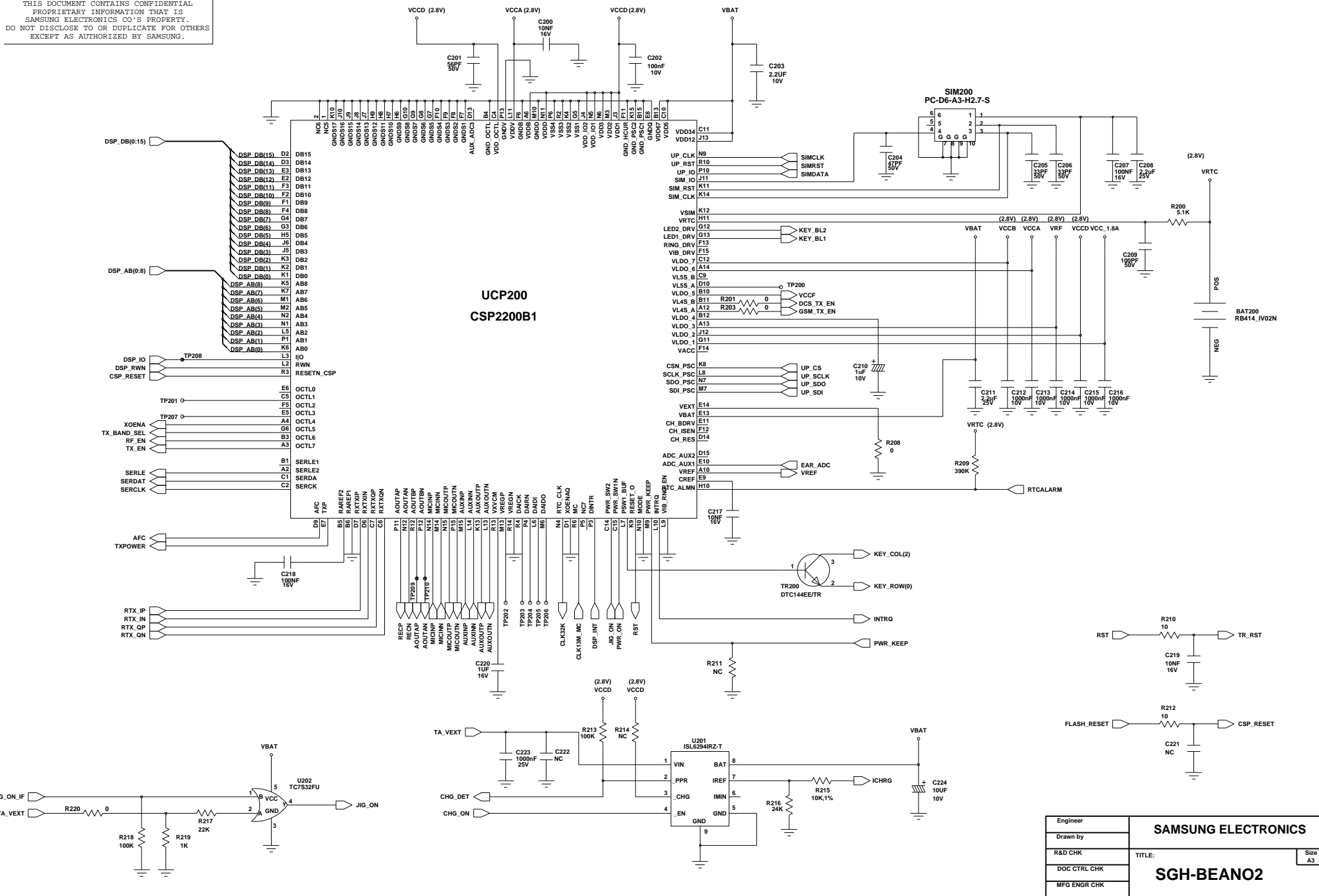
0

SH





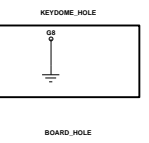
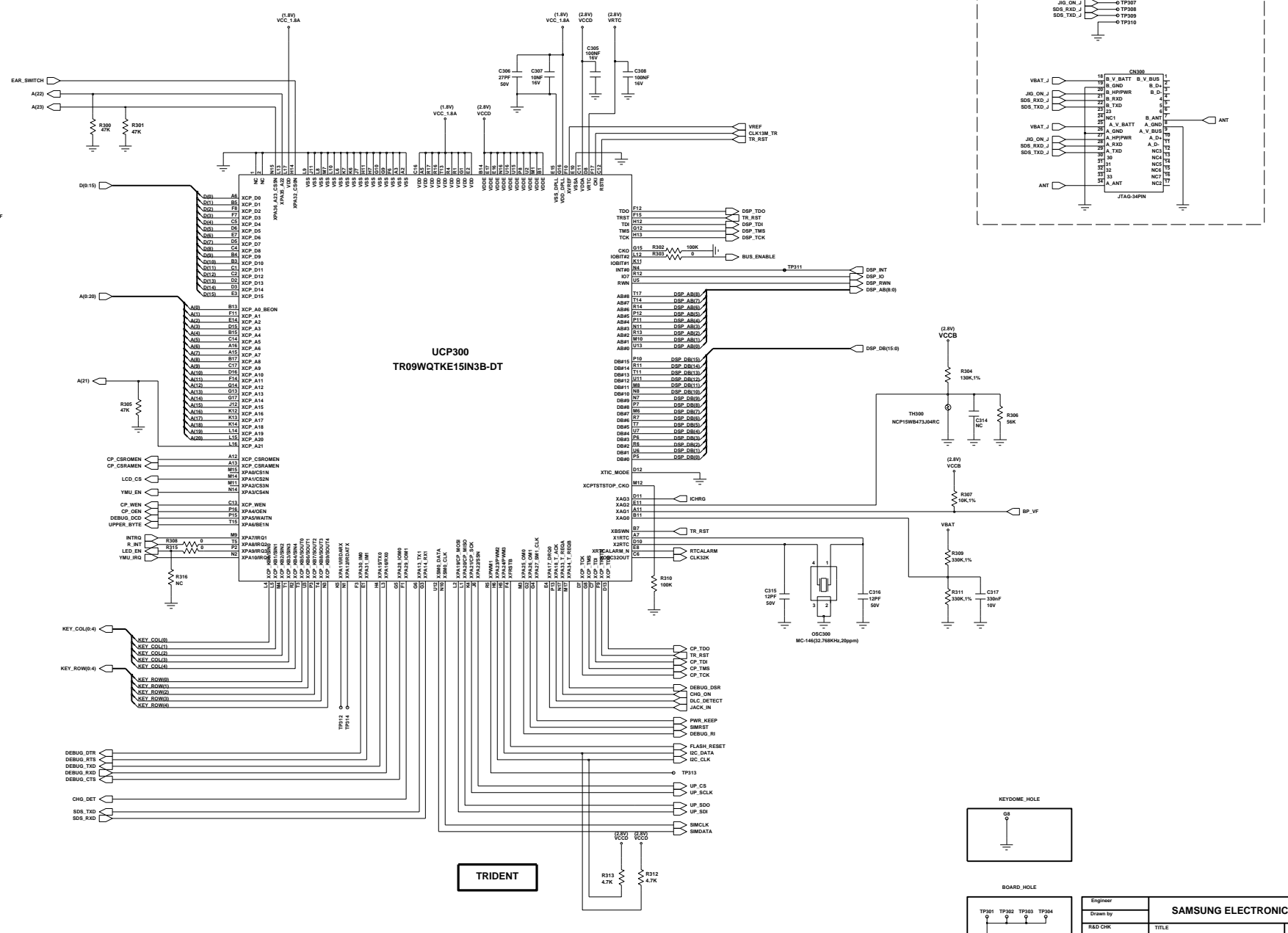
**SAMSUNG PROPRIETARY**  
 THIS DOCUMENT CONTAINS CONFIDENTIAL  
 PROPRIETARY INFORMATION THAT IS  
 SAMSUNG ELECTRONICS CO.'S PROPERTY.  
 DO NOT DISCLOSE TO OR DUPLICATE FOR OTHERS  
 EXCEPT AS AUTHORIZED BY SAMSUNG.



Engineer	<b>SAMSUNG ELECTRONICS</b>	
Drawn by		
R&D CHK	TITLE:	Size A3
DOC CTRL CHK	<b>SGH-BEANO2</b>	
MFG ENGR CHK		

**SAMSUNG PROPRIETARY**  
 THIS DOCUMENT CONTAINS CONFIDENTIAL  
 PROPRIETARY INFORMATION THAT IS  
 SAMSUNG ELECTRONICS CO.'S PROPERTY.  
 DO NOT DISCLOSE TO OR DUPLICATE FOR OTHERS  
 EXCEPT AS AUTHORIZED BY SAMSUNG.

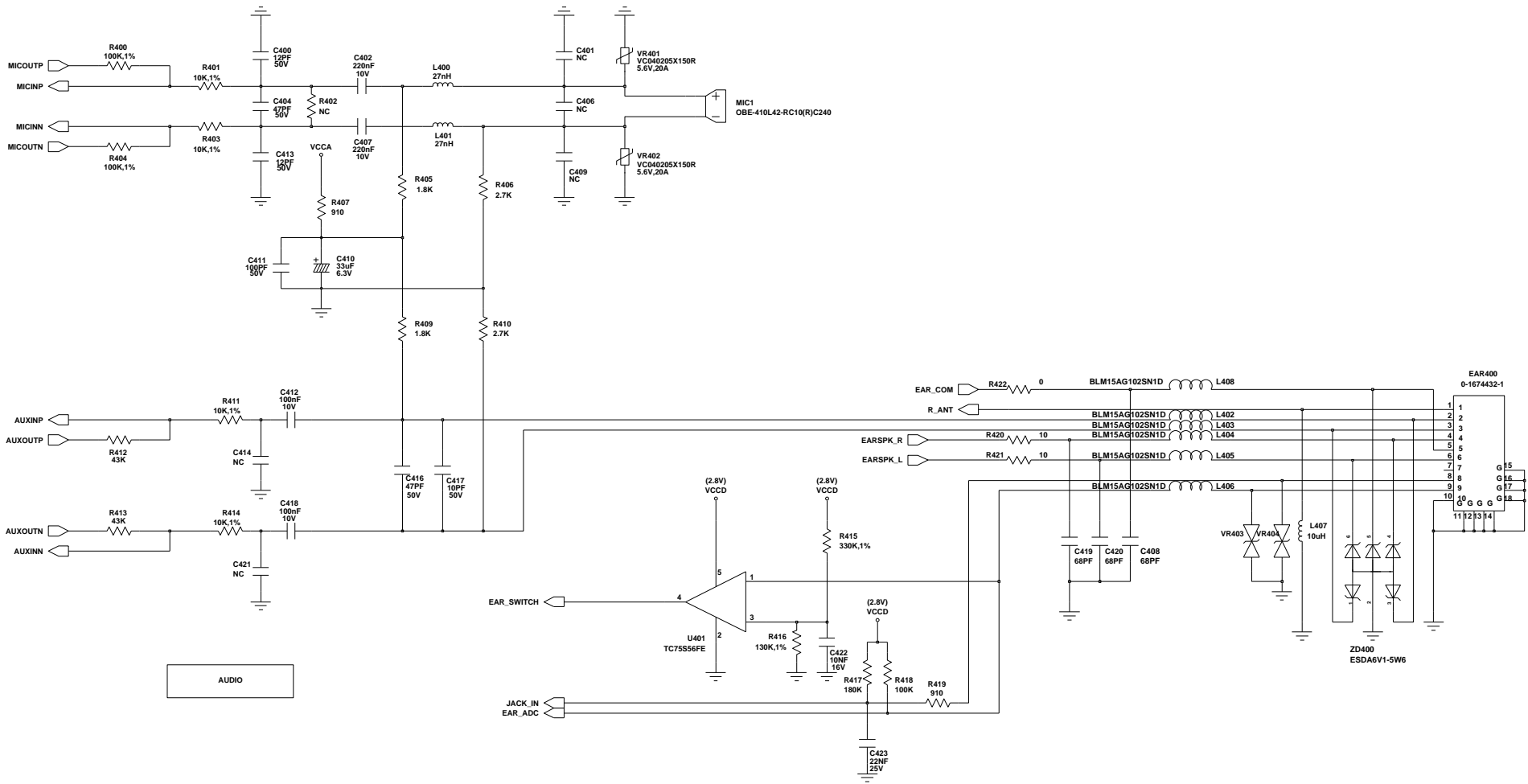
**JTAG**



Engineer		<b>SAMSUNG ELECTRONICS</b>	Sheet 23
Drawn by			
RAO CHK	TITLE		
DDC CTRL CHK	<b>SGH-BEANO2</b>		
MP'S ENGR CHK		REV 1.3	Drawing Number

**SAMSUNG PROPRIETARY**

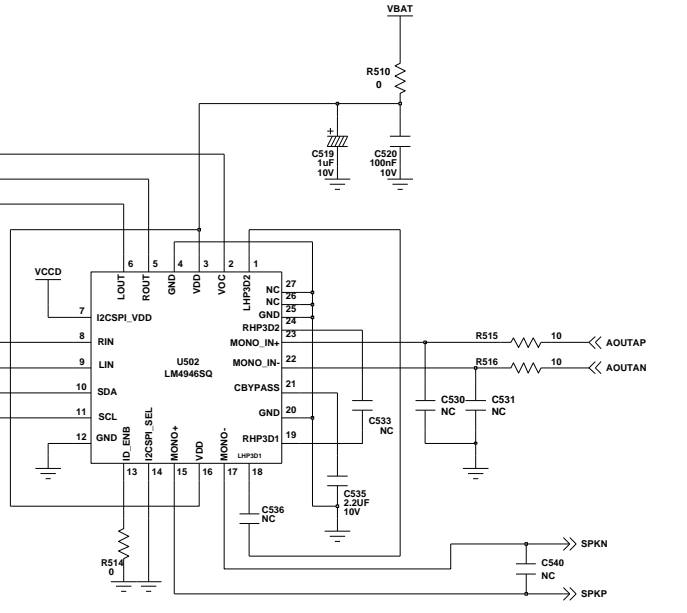
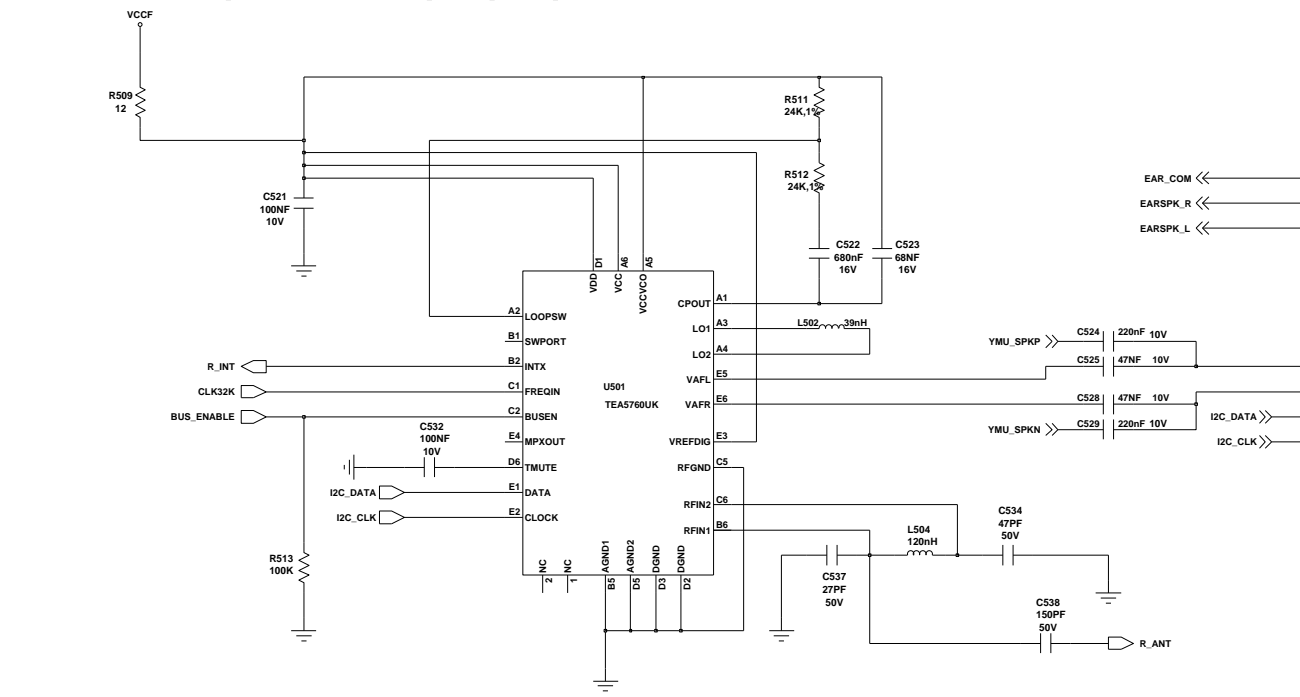
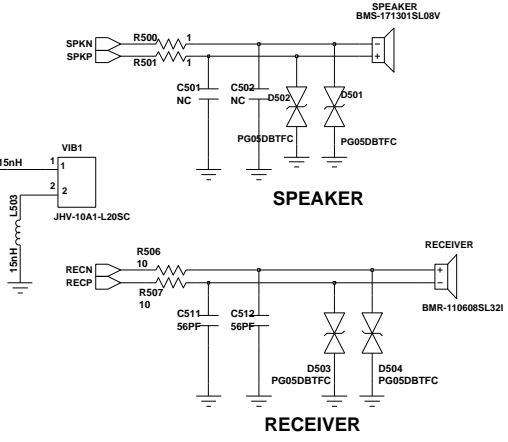
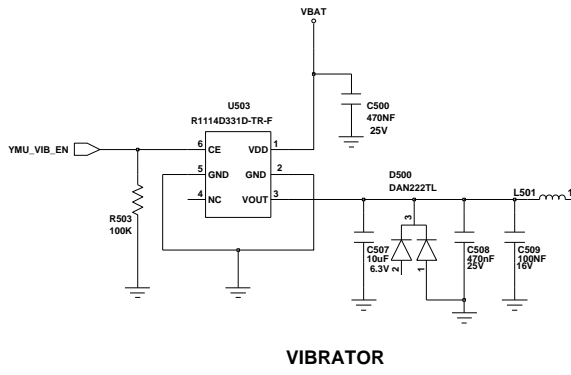
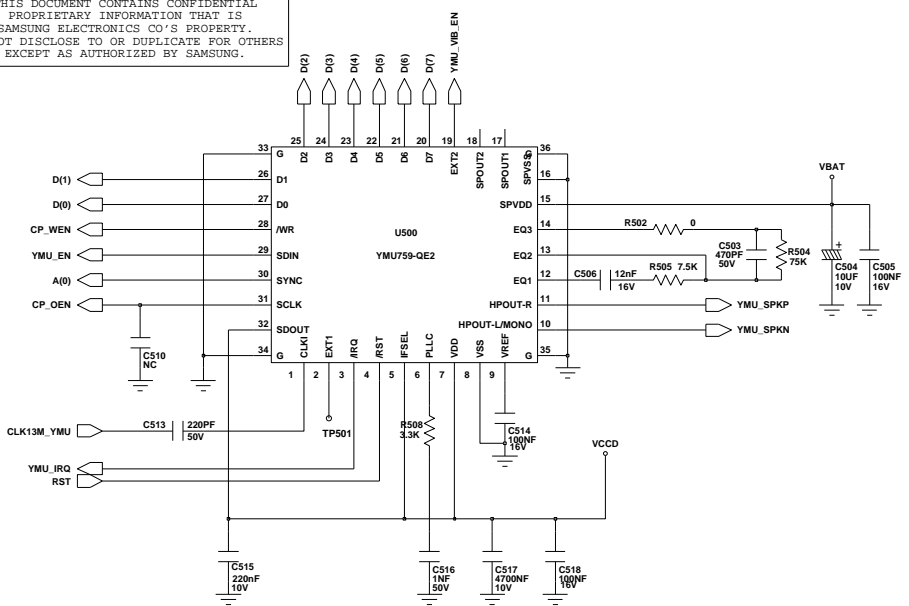
THIS DOCUMENT CONTAINS CONFIDENTIAL PROPRIETARY INFORMATION THAT IS SAMSUNG ELECTRONICS CO'S PROPERTY. DO NOT DISCLOSE TO OR DUPLICATE FOR OTHERS EXCEPT AS AUTHORIZED BY SAMSUNG.



Engineer	SAMSUNG ELECTRONICS	
Drawn by		
R&D CHK	TITLE:	Size A3
DOC CTRL CHK	<b>SGH-BEANO2</b>	
MFG ENGR CHK		

Changed by user8	Date Changed 2006.10.27	Time Changed 3:10:51 pm	QA CHK	REV 1.3	Drawing Number	Sheet 4 of 8
------------------	-------------------------	-------------------------	--------	---------	----------------	--------------

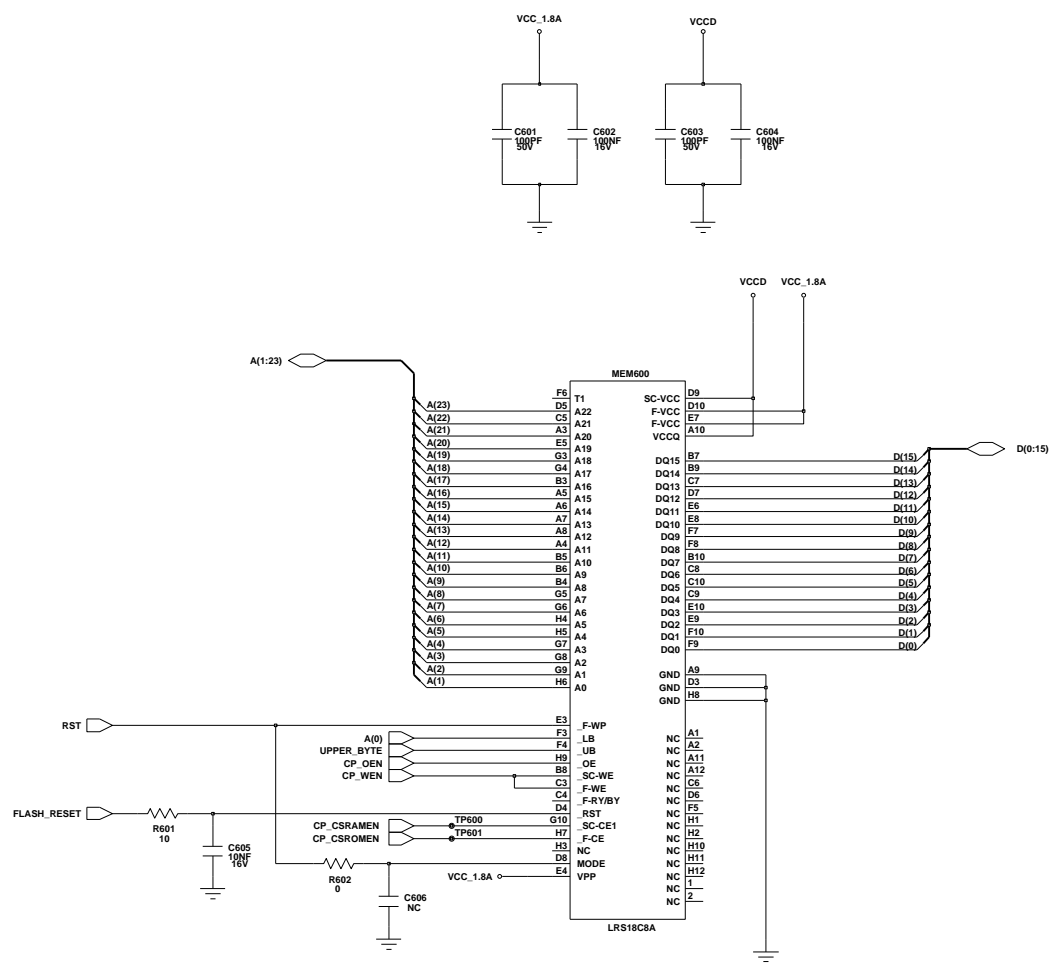
**SAMSUNG PROPRIETARY**  
 THIS DOCUMENT CONTAINS CONFIDENTIAL  
 PROPRIETARY INFORMATION THAT IS  
 SAMSUNG ELECTRONICS CO.'S PROPERTY.  
 DO NOT DISCLOSE TO OR DUPLICATE FOR OTHERS  
 EXCEPT AS AUTHORIZED BY SAMSUNG.



**RADIO**

Engineer	<b>SAMSUNG ELECTRONICS</b>	
Drawn by		
R&D CHK	TITLE:	Size A3
DOC CTRL CHK	<b>SGH-BEANO2</b>	
MFG ENGR CHK		

**SAMSUNG PROPRIETARY**  
 THIS DOCUMENT CONTAINS CONFIDENTIAL  
 PROPRIETARY INFORMATION THAT IS  
 SAMSUNG ELECTRONICS CO.'S PROPERTY.  
 DO NOT DISCLOSE TO OR DUPLICATE FOR OTHERS  
 EXCEPT AS AUTHORIZED BY SAMSUNG.



**MEMORY**

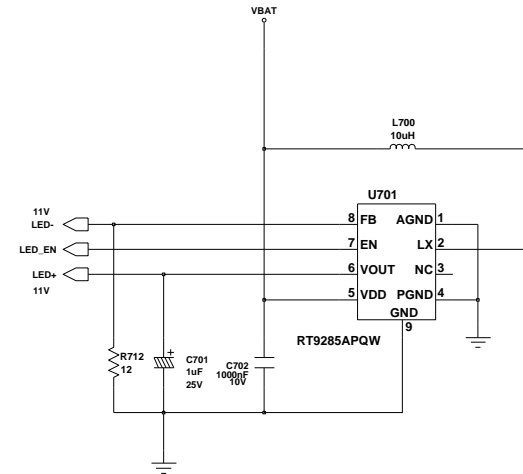
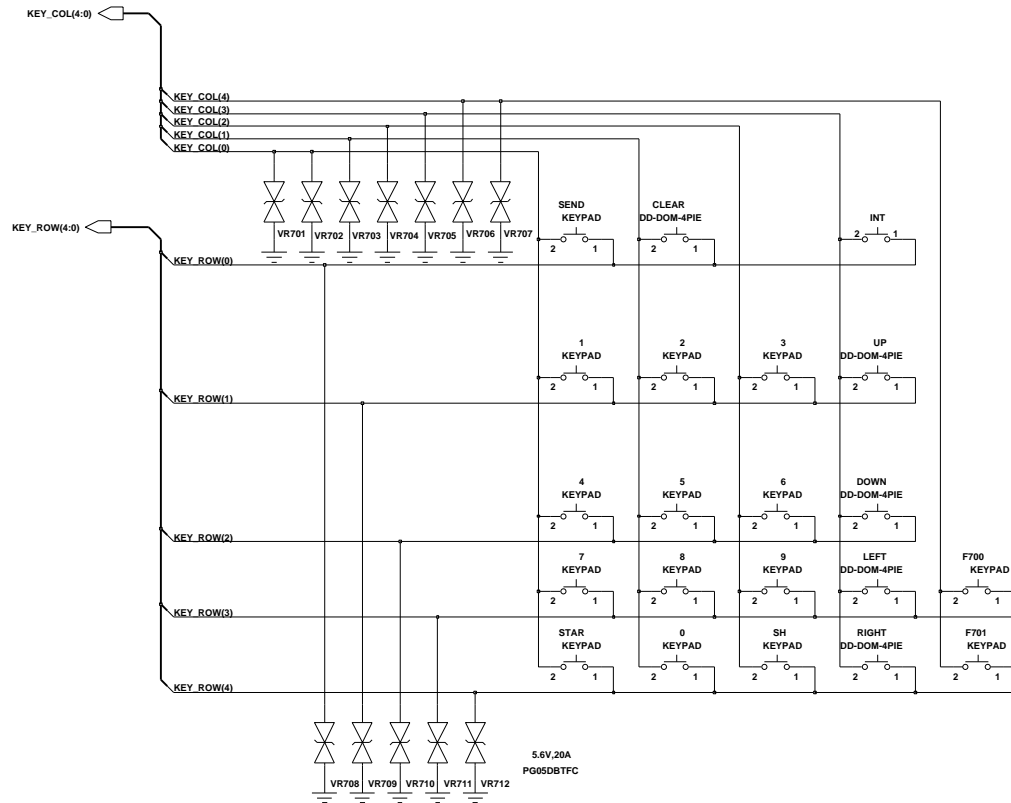
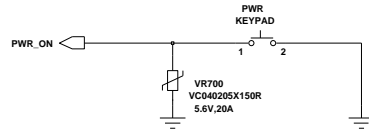
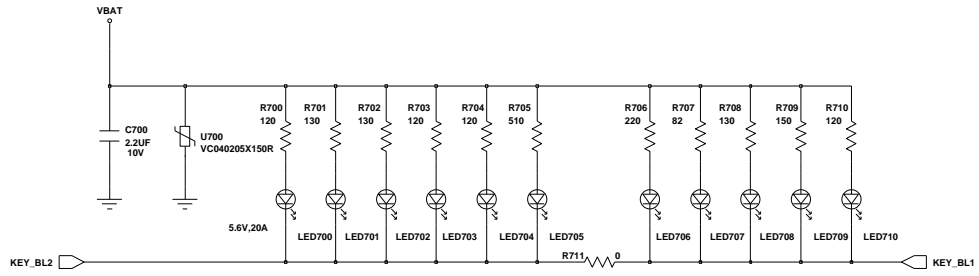
Engineer	<b>SAMSUNG ELECTRONICS</b>		Size A3
Drawn by			
R&D CHK	TITLE:	<b>SGH-BEANO2</b>	
DOC CTRL CHK			
MFG ENGR CHK			

Changed by user8	Date Changed 2006.10.27	Time Changed 3:11:09 pm	QA CHK	REV 1.2	Drawing Number	Sheet 6 of 8
---------------------	----------------------------	----------------------------	--------	------------	----------------	--------------



**SAMSUNG PROPRIETARY**

THIS DOCUMENT CONTAINS CONFIDENTIAL PROPRIETARY INFORMATION THAT IS SAMSUNG ELECTRONICS CO'S PROPERTY. DO NOT DISCLOSE TO OR DUPLICATE FOR OTHERS EXCEPT AS AUTHORIZED BY SAMSUNG.

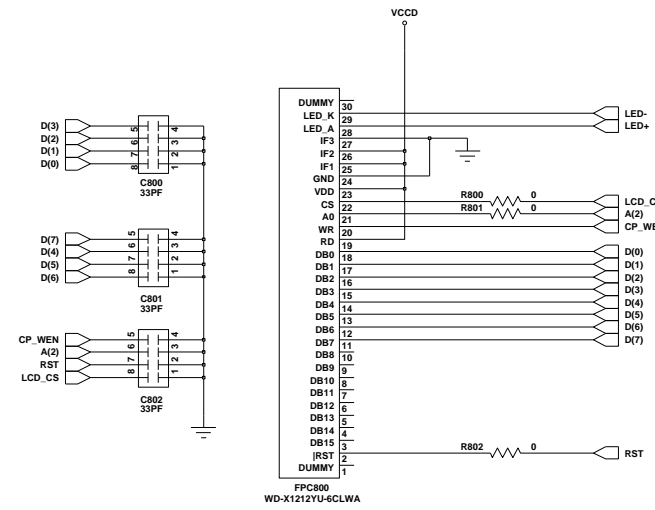


LCD BACKLIGHT

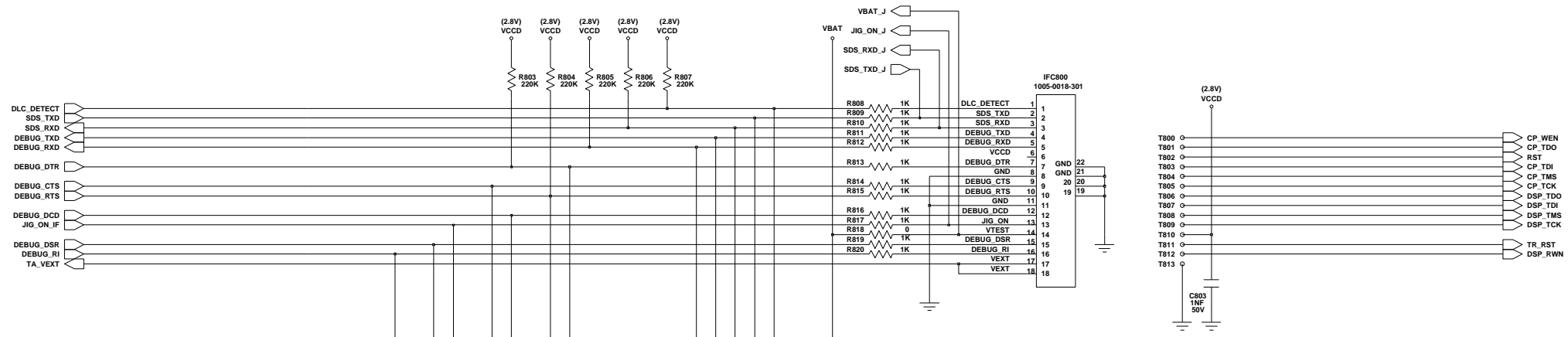
Engineer	SAMSUNG ELECTRONICS	
Drawn by		
R&D CHK	TITLE:	Size A3
DOC CTRL CHK	SGH-BEANO2	
MFG ENGR CHK		

Changed by user8	Date Changed 2006.10.27	Time Changed 3:12:05 pm	QA CHK	REV 1.3	Drawing Number	Sheet 7 of 8
------------------	-------------------------	-------------------------	--------	---------	----------------	--------------

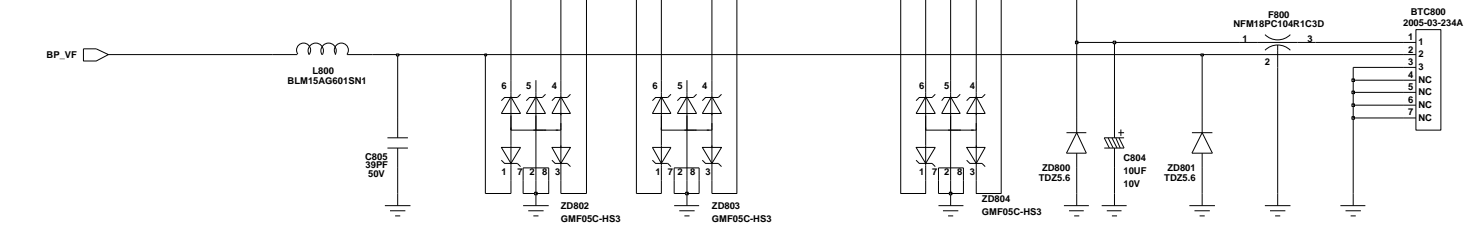
**SAMSUNG PROPRIETARY**  
 THIS DOCUMENT CONTAINS CONFIDENTIAL  
 PROPRIETARY INFORMATION THAT IS  
 SAMSUNG ELECTRONICS CO'S PROPERTY.  
 DO NOT DISCLOSE TO OR DUPLICATE FOR OTHERS  
 EXCEPT AS AUTHORIZED BY SAMSUNG.



**LCD CONNECTOR**



**JTAG CON**



**I/F CONNECTOR**

Engineer	<b>SAMSUNG ELECTRONICS</b>	
Drawn by		
R&D CHK	TITLE:	Size A3
DOC CTRL CHK	<b>SGH-BEANO2</b>	
MFG ENGR CHK		