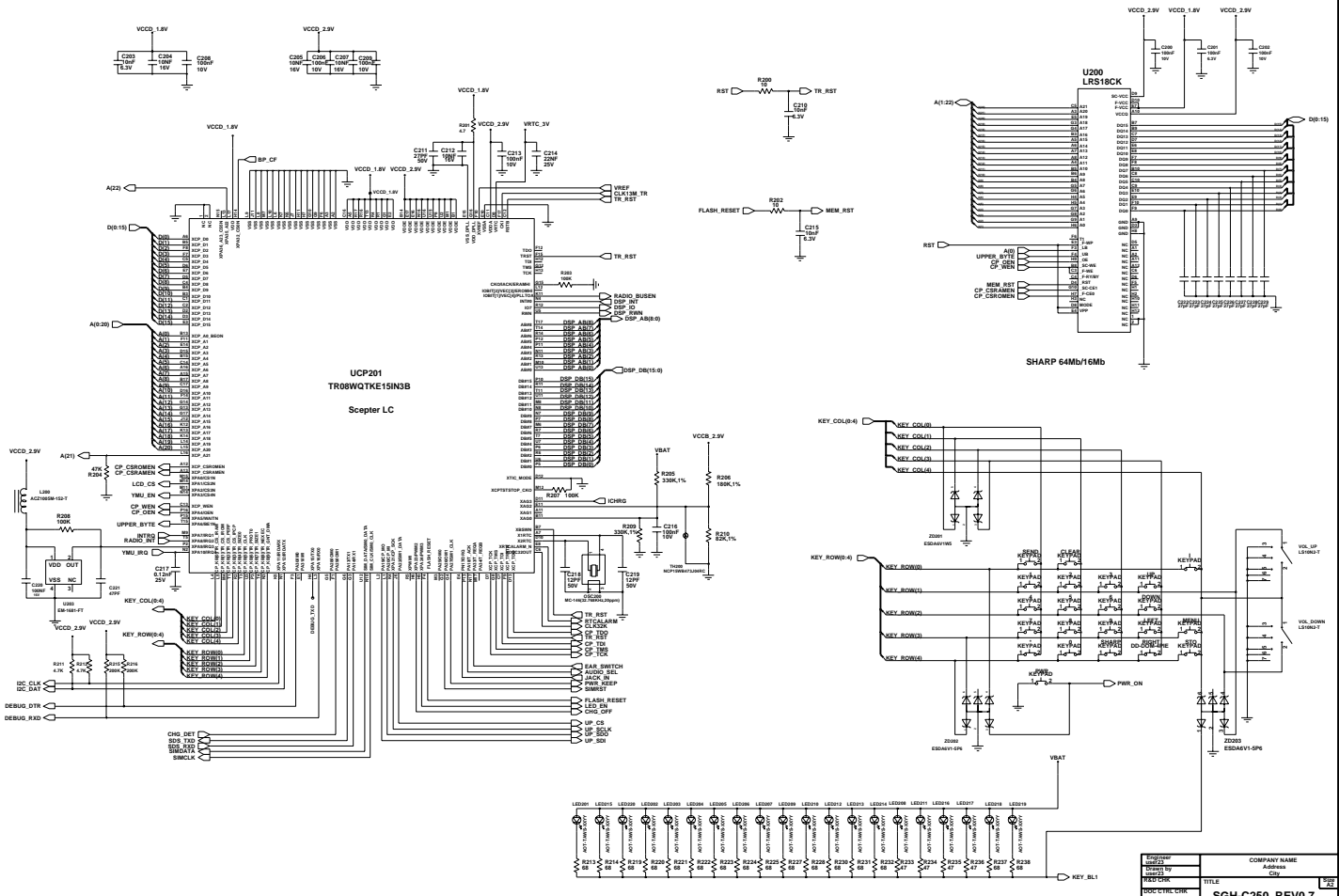


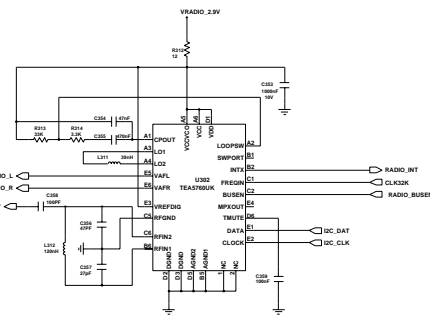
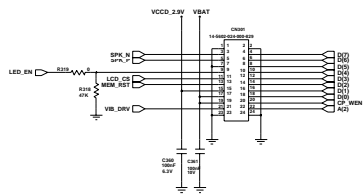
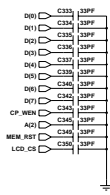
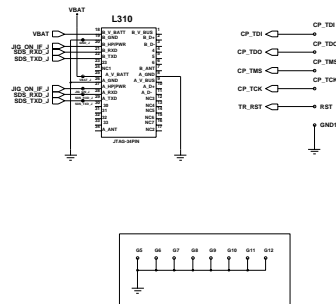
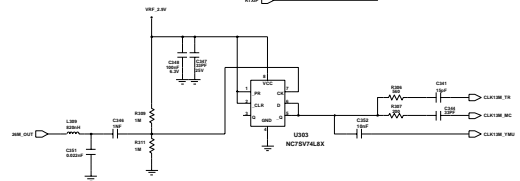
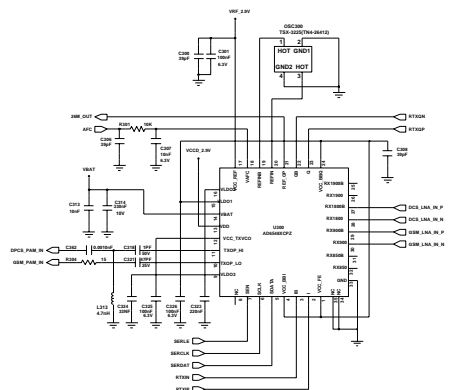
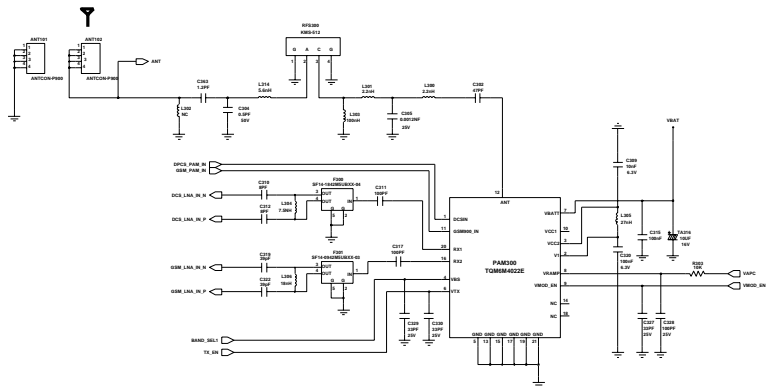
COMPANY NAME	
DESIGNER	TITLE
CHECKER	DATE
APPROVER	
<b>SGH-C250_REV0.7</b>	
DATE	ISSUE NO.



UCP201  
TR08WQTK E15IN3B  
Scepter LC

U200  
LRS18CK  
SHARP 64Mb/16Mb

DESIGNED BY	COMPANY NAME
DRAWN BY	Address
CHECKED BY	City
DATE	
<b>SGH-C250_REV0.7</b>	
DESIGNED BY	
DRAWN BY	
CHECKED BY	
DATE	



FM RADIO

Engineer	COMPANY NAME
Checked by	DATE
REVISION	ADDRESS
DATE	CITY
APPROVED BY	
	<b>SGH-C250_REV0.7</b>

J203

LED214

UP

LED213

MENU

LEFT

I

RIGHT

STO

LED215

LED220

SEND

LED201

DOWN

LED207

PWR

CLEAR

1

LED204

2

LED212

3

LED217

LED211

4

LED202

5

LED205

6

LED219

LED218

7

LED210

8

LED208

9

LED206

LED216

\*

LED209

0

LED203

SHARP

