

R330
R317

Q300

C345
R318

C335
C334
C333
C332
C331
C330
C321
C325
C328
C327
C326
C324
C322

CN300

C306
C310
C311
C312
C313
C314
U404
C315
C316
C317
C318
C319
C320
C323

C219
C218
R221

L200

U202

VR205

VR201

VR200

VR203

VR206

1

2

3

4

5

6

7

8

9

*

0

SHAPE

VR204

R212

LED209

R207

LED204

R203

LED200

R211

LED208

VR207

VR208

R214

LED211

R209

LED206

R205

LED202

VR202

R213

LED210

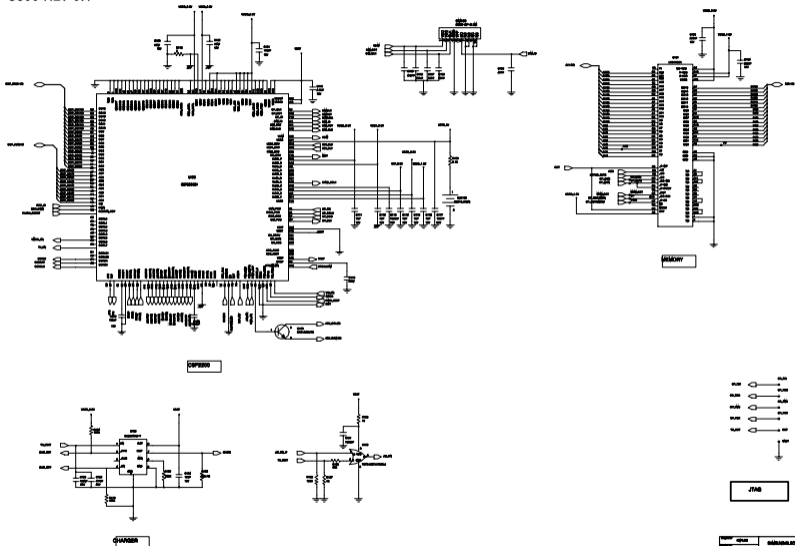
R210

LED207

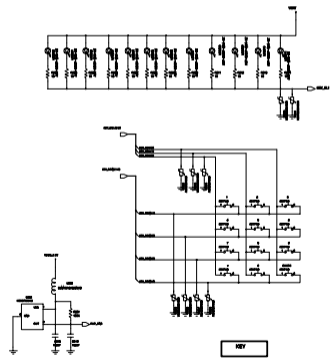
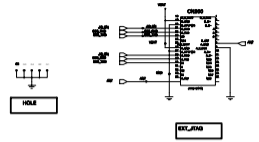
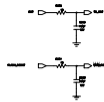
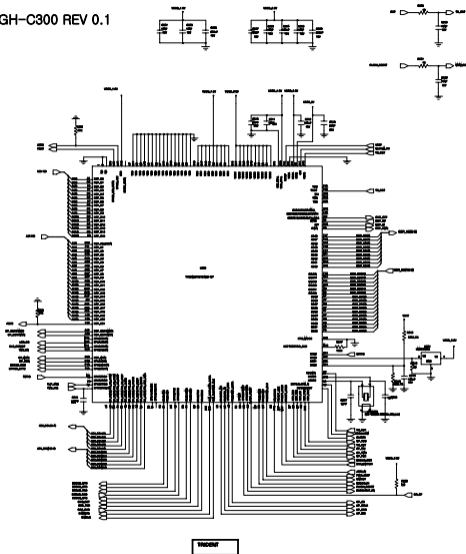
R206

LED203

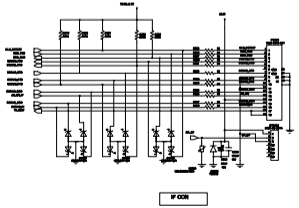
SGH-C300 REV 0.1



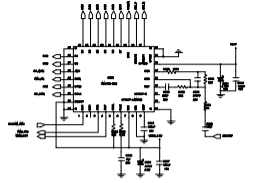
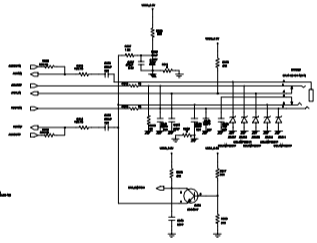
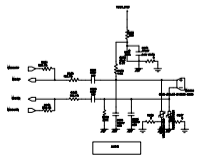
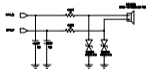
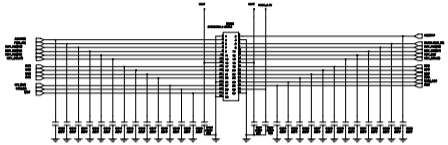
REV	0.1	DATE	2008-08-20
DESIGNER		CHECKER	
SGH-C300 REV 0.1			
SCALE		UNIT	mm

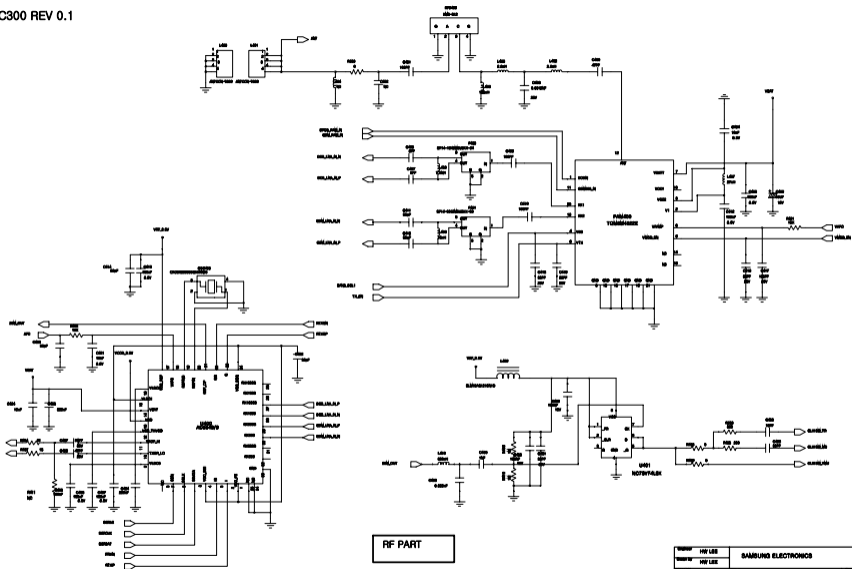


REVISIONS		MANUFACTURING	
Rev	0.1	Date	
By		Appr	
Checked		Checked	
SGH-C300 REV 0.1			



NO 21





RF PART

DESIGNER	HYU LEE	SAMSUNG ELECTRONICS
REVIEWER	HYU LEE	
DATE		
PROJECT NAME		SGH-NUVO REV0.1
DESCRIPTION		
REVISION		