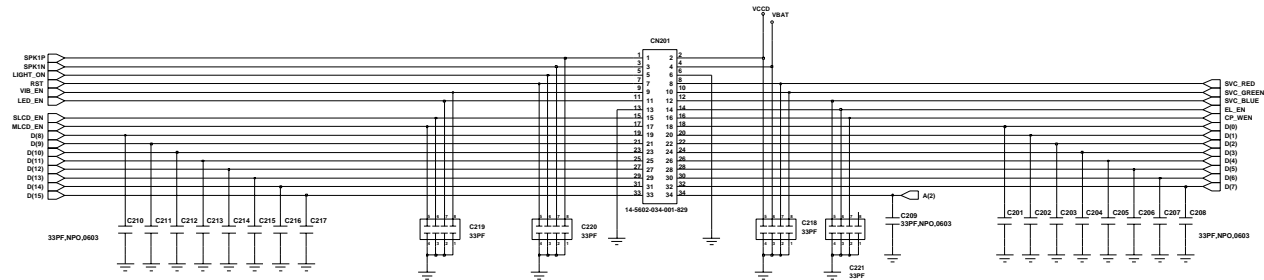
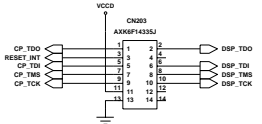
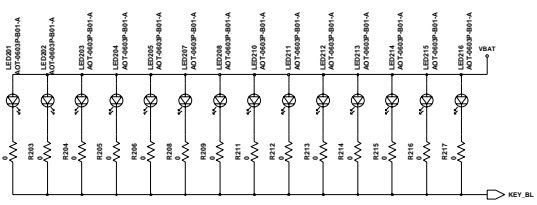
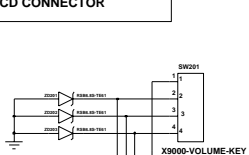


POWER

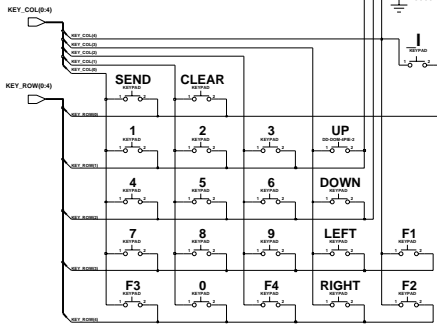
Engineer J. LEE	COMPANY NAME
Drawn by J. LEE	Address
REVISION	City
DWG CTRL DWR	TITLE:
MFG ENGR DWR	SGH-D100



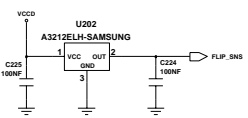
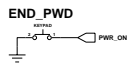
**LCD CONNECTOR**



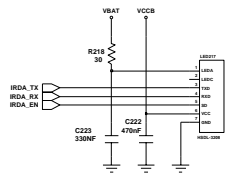
**JTAG CON**



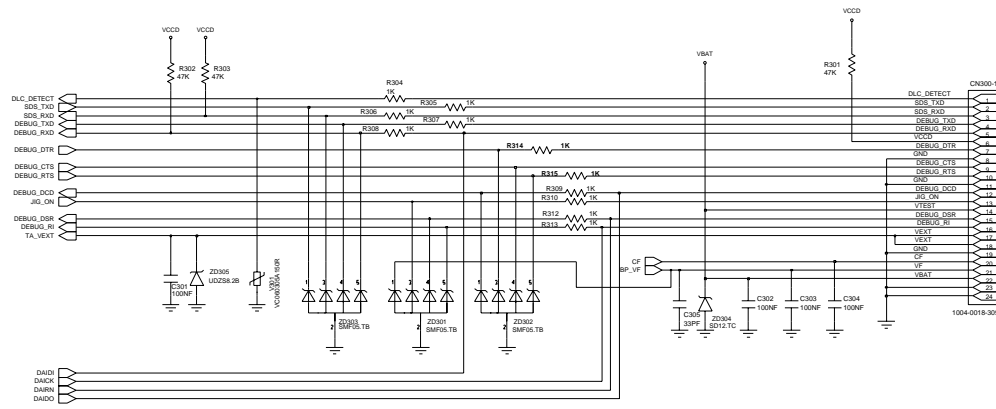
**KEYPAD**



**IRDA**

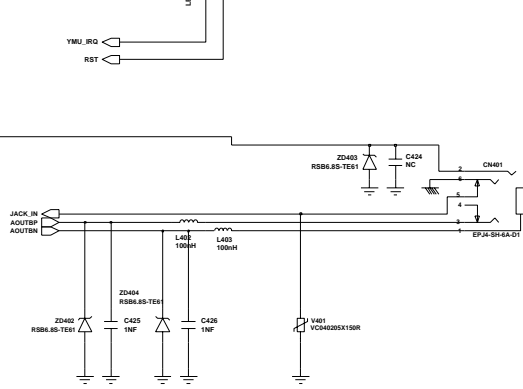
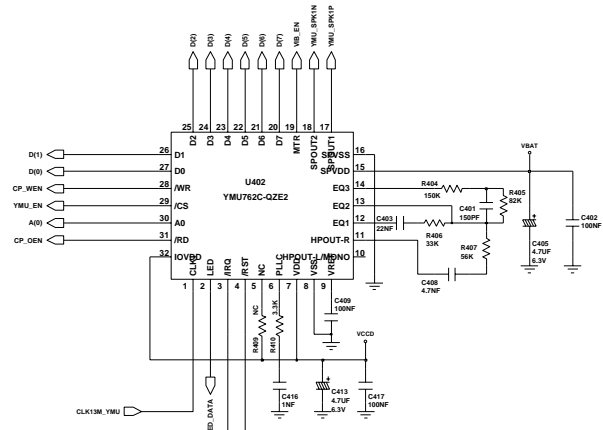
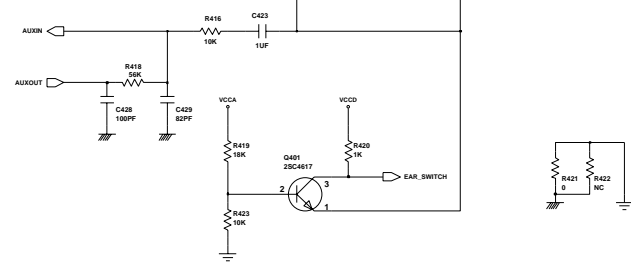
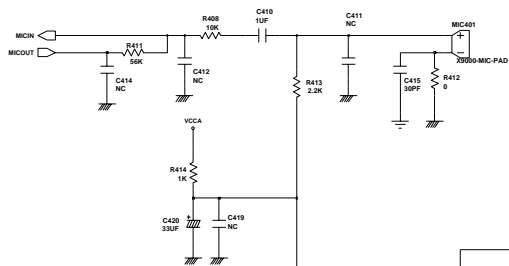
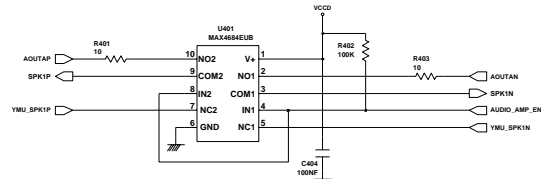


Engineer JK LEE	<b>COMPANY NAME</b> Address City	TITLE:  <b>SGH-D100</b>	Size A3
Drawn by JK LEE			
REDC:CHK			
DGC CTRL:CHK MFG ENGR:CHK			



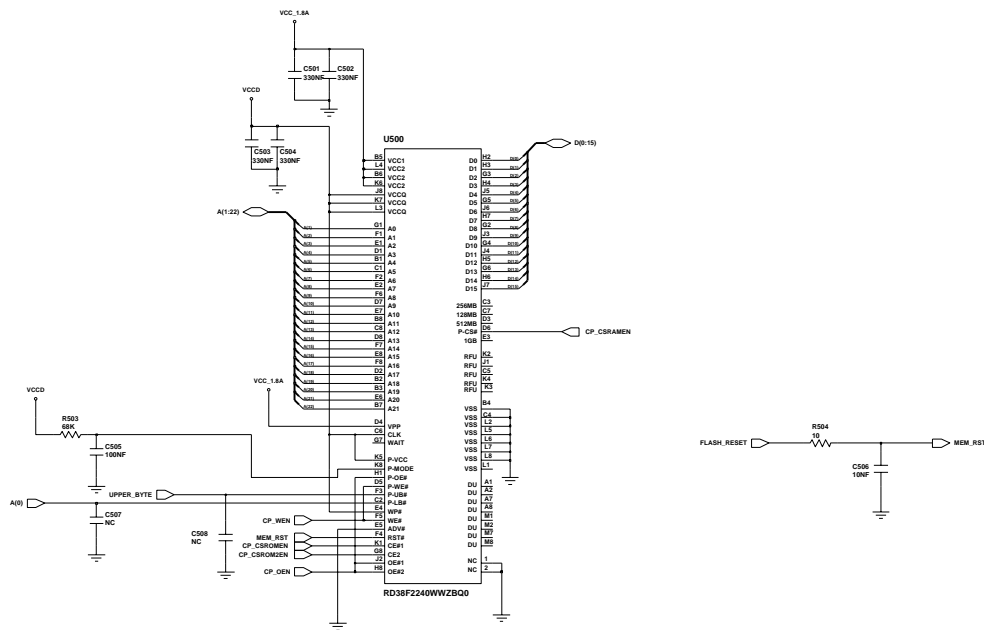
I/F CONNECTOR

Engineer JLLEE	COMPANY NAME	
Drawn By JLLEE	Address City	
REVISION	TITLE:	Size A3
DOC CTRL CRK	SGH-D100	
MFG ENGR CRK		



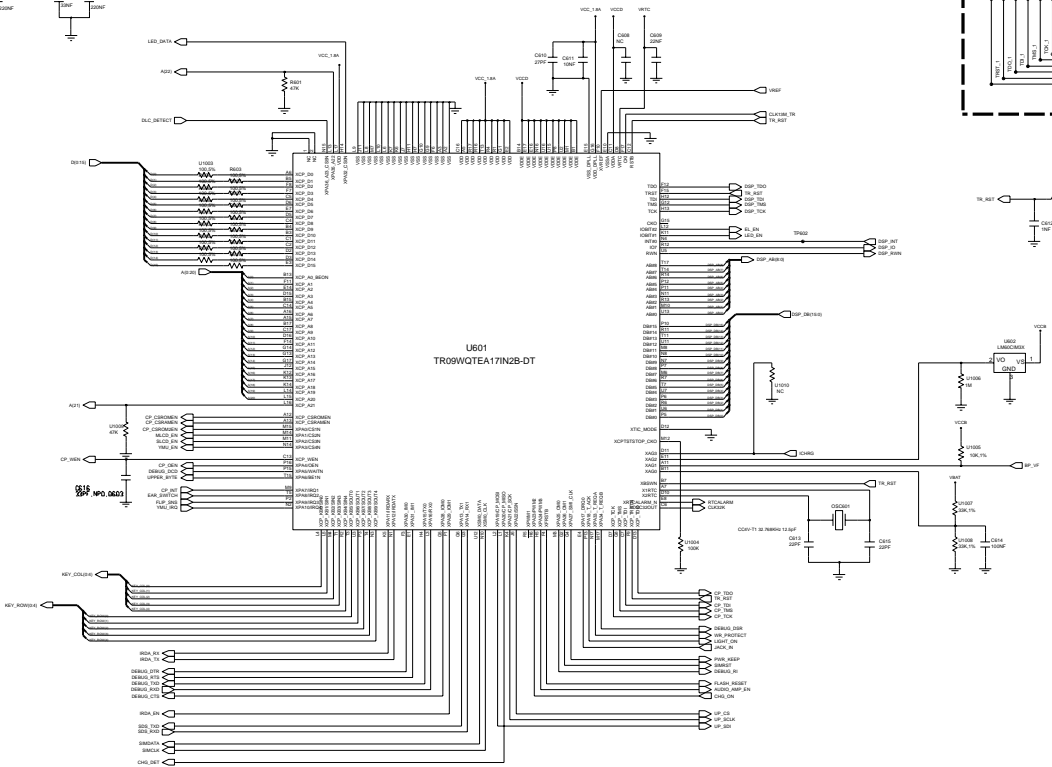
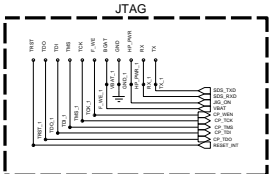
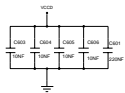
**AUDIO**

Engineer JK LEE	<b>COMPANY NAME</b> Address City State ZIP			
Drawn by JK LEE				
TEST CHK				
DWG ENGR CHK				
TITLE: <b>SGH-D100</b>				
Changed by user	Date Changed 2003.07.14	Title Changed S-14-42 pm	REV 0/4/5	Drawing Number Sheet 4 of 11



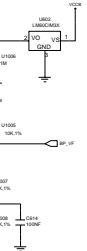
**MEMORY**

Engineer JK LEE	COMPANY NAME Address City	Sheet 5 of 11
Drawn By JK LEE		
REDCRCHK	TITLE:	Size A3
DWG CTRL CRK	<b>SGH-D100</b>	
MFG ENGR CRK		

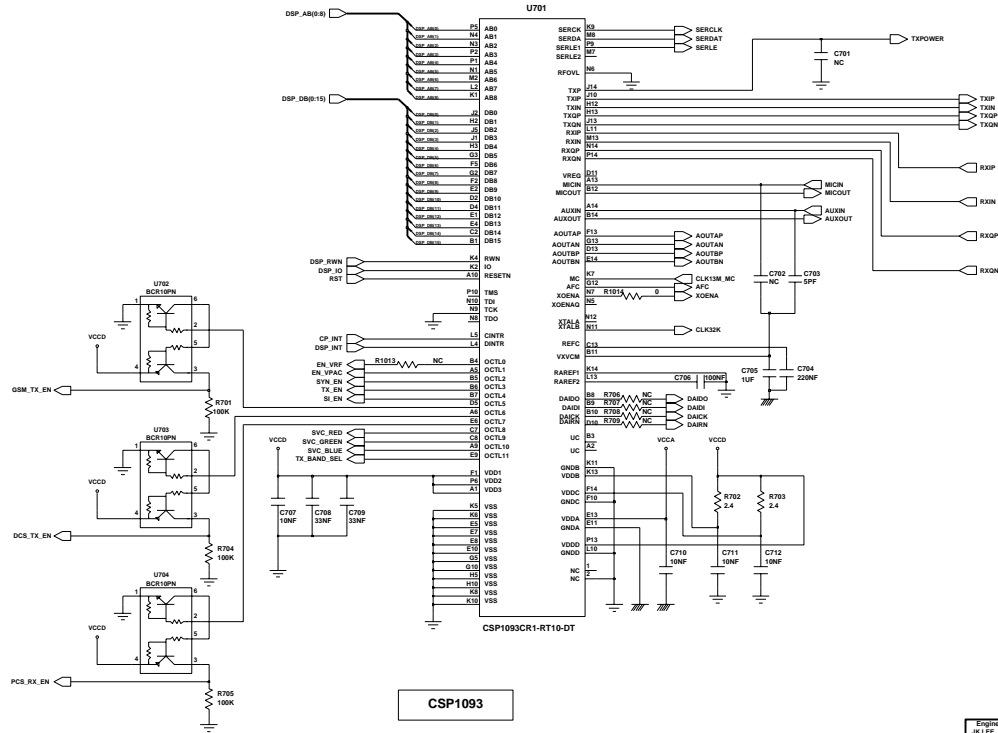


U601  
TR90W0TEA17IN2B-DT

TRIDENT



COMPANY NAME	SGH-D100
ADDRESS	
CITY	
STATE	
ZIP	
DATE	
DESIGNED BY	
CHECKED BY	
DATE	
DESIGNED BY	
CHECKED BY	
DATE	

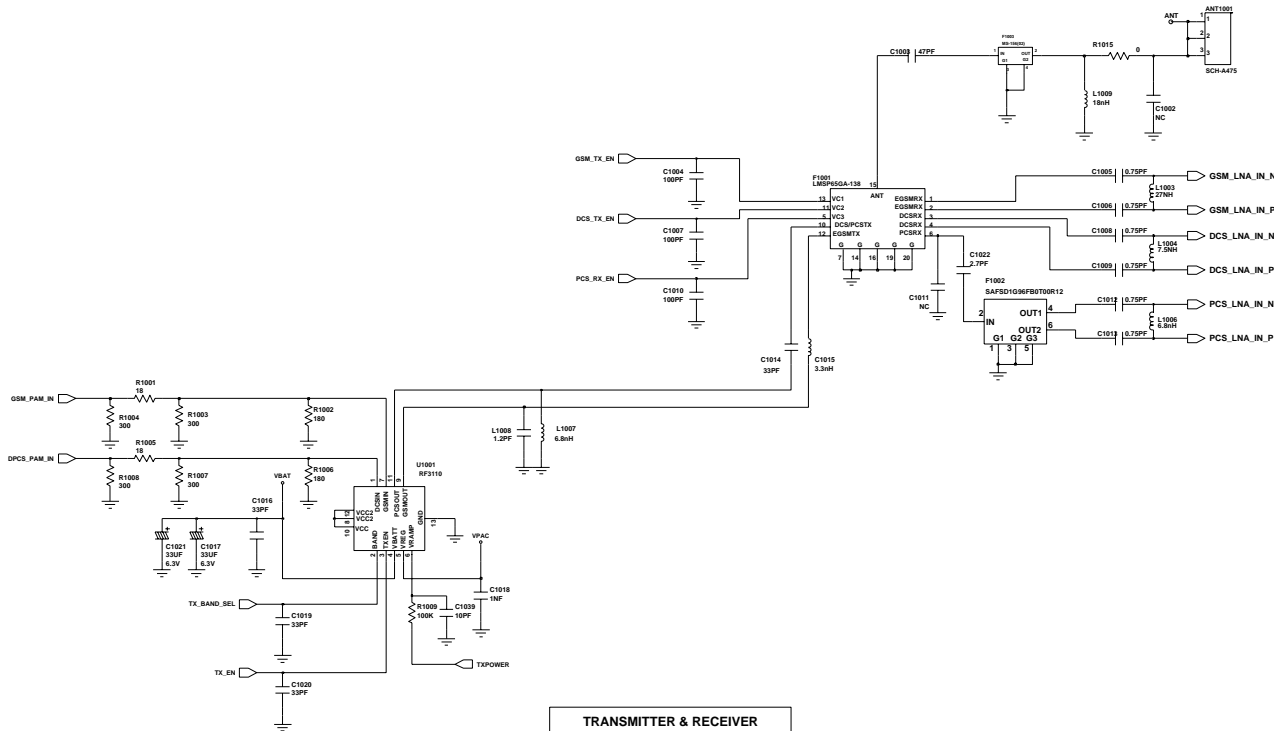


CSP1093

Engineer JK LEE	COMPANY NAME Address City	Site AS
Drawn by JK LEE		
RED:CHK	TITLE:	
DOC CTRL:CHK	<b>SGH-D100</b>	
MFG ENGR:CHK		



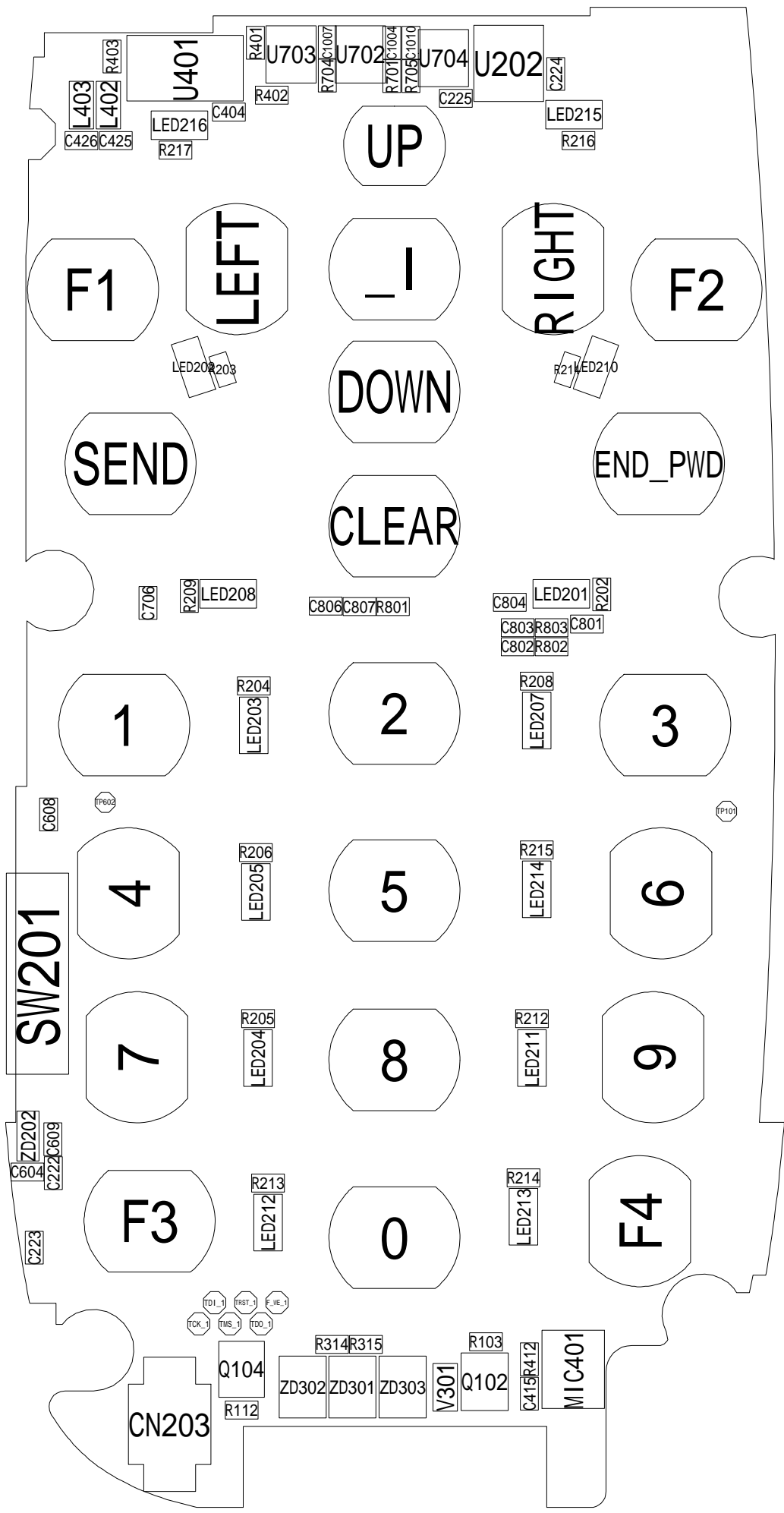




TRANSMITTER & RECEIVER

Engineer JK LEE Drawn By JK LEE DDC CTRL CHK MFG ENDR CHK	<b>COMPANY NAME</b> Address City  TITLE:  <div style="text-align: center; font-weight: bold; font-size: 1.2em;">SGH-D100</div>
--	--





L403  
L402  
C426  
C425  
R403  
R402

U401  
LED216  
C404  
R217

R401

U703  
R704  
C1007

U702  
R701  
C1004  
R705  
C1010

U704  
U202  
C225

C224  
LED215  
R216

UP

F1

LEFT

\_ |

RIGHT

F2

LED202  
R203

DOWN

R211  
LED210

SEND

END\_PWD

CLEAR

C706  
R209  
LED208

C806  
C807  
R801

C804  
LED201  
R202  
C803  
R803  
C801  
C802  
R802

1

R204  
LED203

2

R208  
LED207

3

C608

FP602

4

R206  
LED205

5

R215  
LED214

6

FP101

SW201

7

R205  
LED204

8

R212  
LED211

9

ZD202  
C604  
C222  
C609

F3

R213  
LED212

0

R214  
LED213

F4

TD1\_1  
FRST\_1  
F\_WE\_1  
TCK\_1  
TMS\_1  
TDO\_1

CN203

Q104  
R112

R314  
R315  
ZD302  
ZD301  
ZD303

V301

Q102

R103  
C415  
R412

MIC401