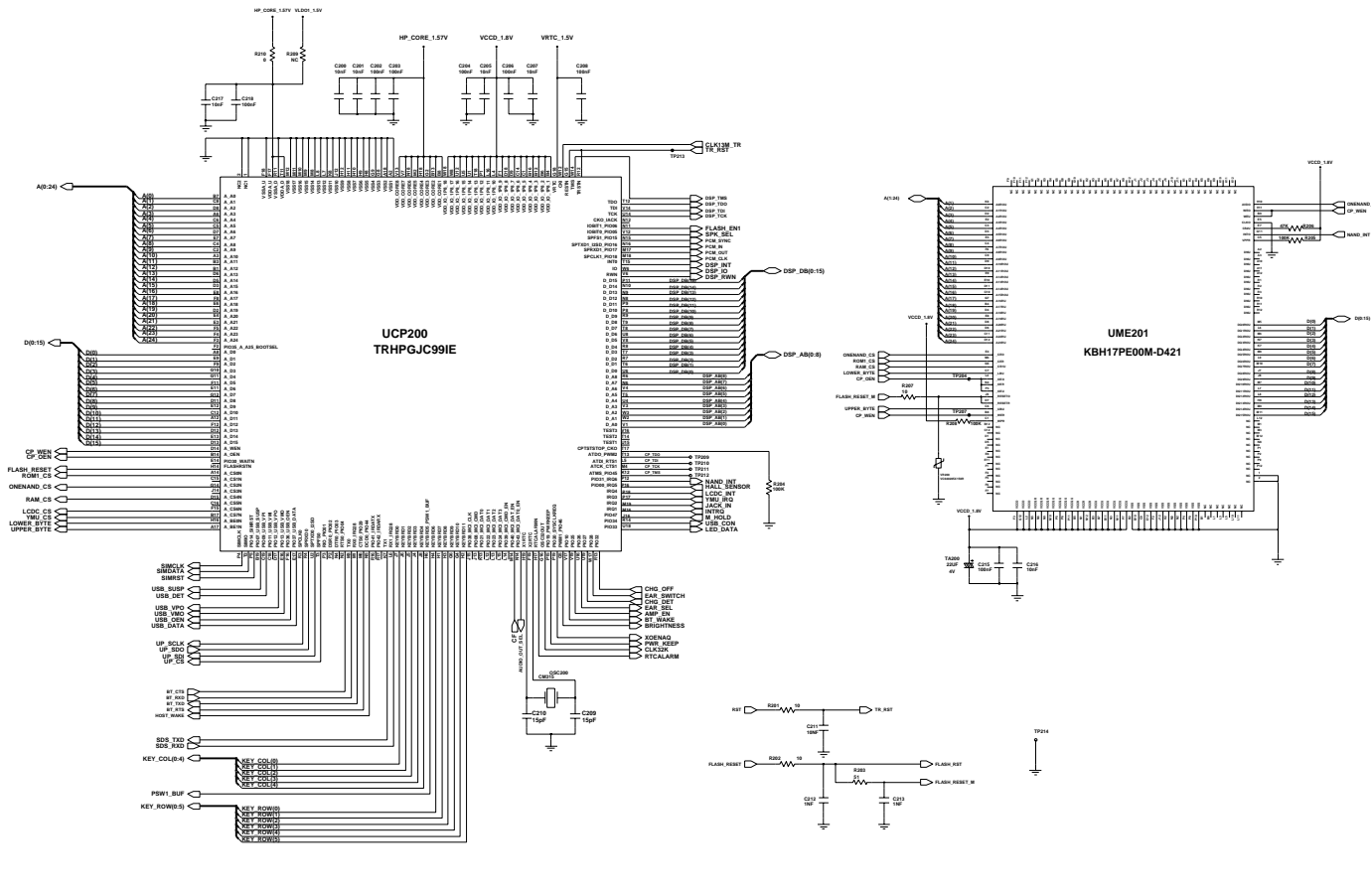
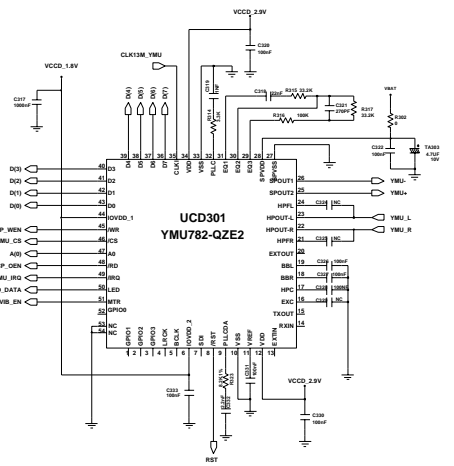
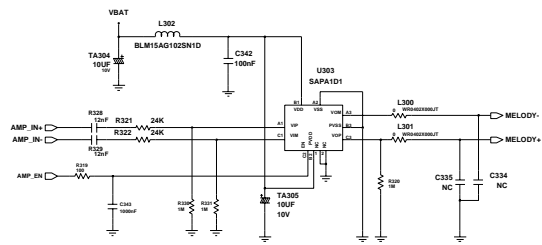
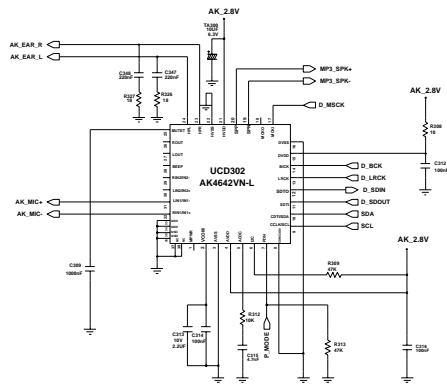
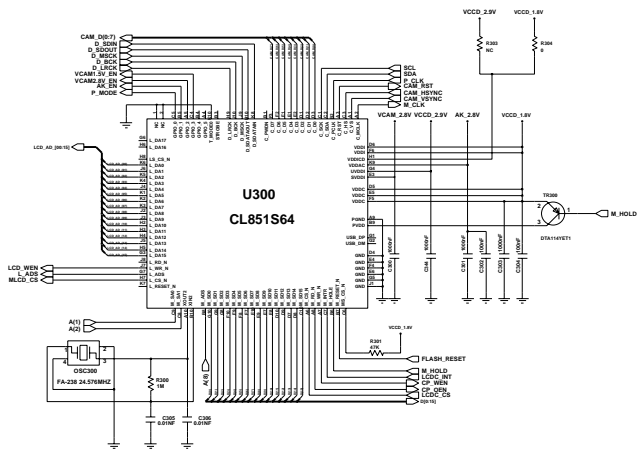


Engineer	DATE	COMPANY NAME
Checked by	DATE	Address
DESIGN NO.	REV.	CITY
PROJECT NO.		
DATE		
SGH-D520 REV 1.8		



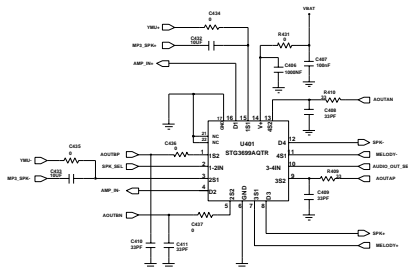
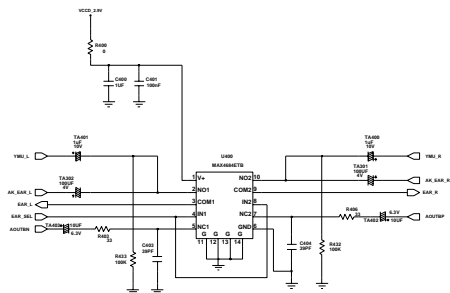
Engineer	Checked	COMPANY NAME
Drawn by	Approved	Address
Rev		City
Specification		
Manufacturer		
SGH-D520 REV 1.8		



BOARD HOLE



Engineer	COMPANY NAME
Checked by	Address
Rev. No.	City
DATE	
SGH-D520 REV.1.8	
DATE	



AUDIO SW

