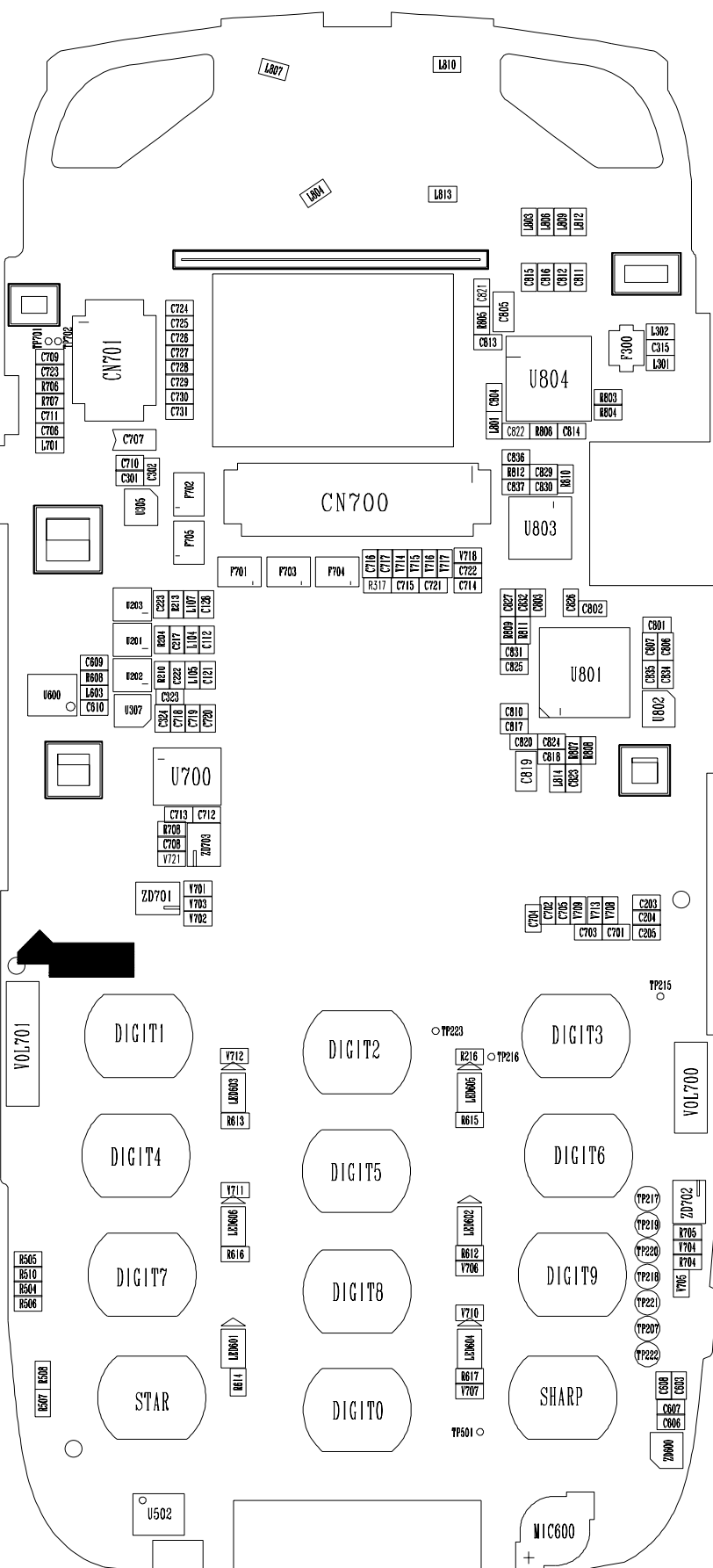


SGH-D600 REV2.7 ASSY (COMP)



VOL701

DIGIT1
 DIGIT4
 DIGIT7
 STAR

DIGIT2
 DIGIT5
 DIGIT8
 DIGIT0

DIGIT3
 DIGIT6
 DIGIT9
 SHARP

VOL700

R505
 R510
 R504
 R506

R507
 R508

U502

MIC600
 +

TP217
 TP219
 TP220
 TP218
 TP221
 TP207
 TP222

ZD702
 R705
 R704
 R704
 R706
 C608
 C607
 C609
 ZD600

TP215

TP223

R216
 LD605
 R615

LD602
 R612
 V706

V710
 LD604
 R617
 V707

TP501

CN701
 C724
 C725
 C726
 C727
 C728
 C729
 C730
 C731

CN700
 C716
 C717
 V714
 V715
 V716
 V717
 V718
 C722
 R317
 C715
 C721
 C714

U203
 C223
 R213
 L107
 C128
 U201
 R204
 C217
 L104
 C112
 U202
 R210
 C222
 L105
 C121
 C323
 C324
 C718
 C719
 C720

U700
 C713
 C712
 R708
 C708
 V721
 ZD703

ZD701
 V701
 V703
 V702

L803
 L806
 L809
 L812

C815
 C816
 C812
 C811

U804
 R803
 R804
 C822
 R806
 C814

U803
 C836
 R812
 C829
 C837
 C830
 R810

U801
 C809
 C827
 C832
 R811
 C806
 C826
 C802

U802
 C801
 C835
 C807
 C834
 C806

C810
 C817
 C820
 C824
 C818
 L814
 C823
 R807
 R808

C704
 C702
 C705
 V709
 V713
 V708
 C203
 C204
 C205
 C703
 C701

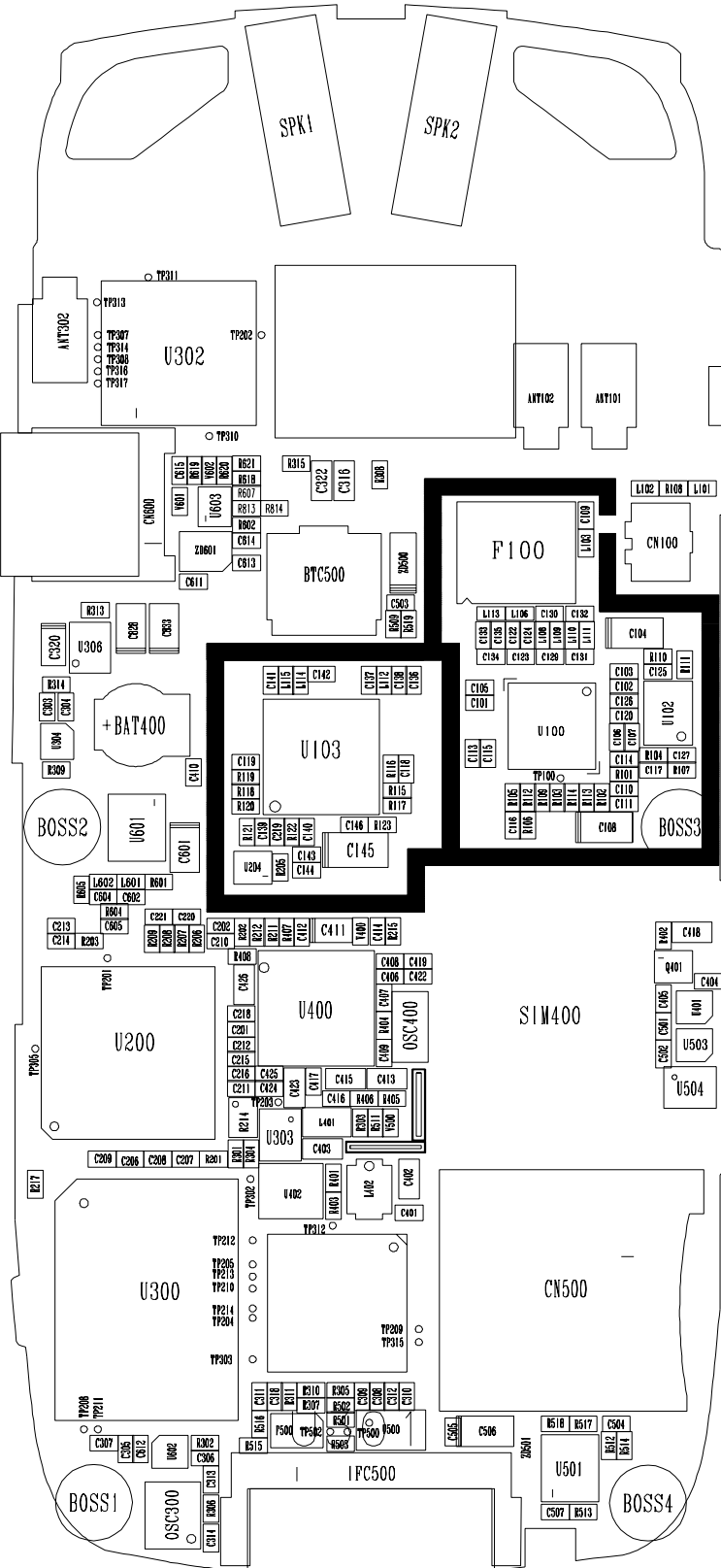
TP701
 TP702
 C709
 C723
 R706
 R707
 C711
 C706
 L701

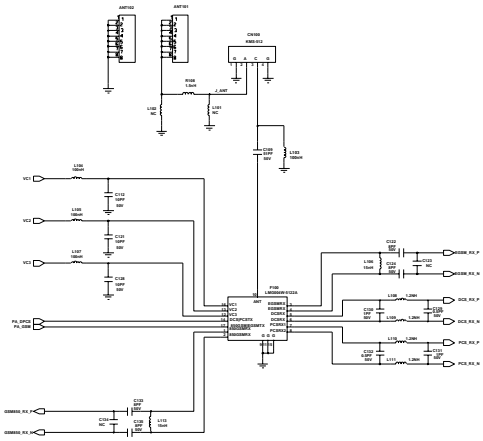
C710
 C301
 C802
 R805
 P702
 P705

U600
 C609
 R608
 L603
 C610

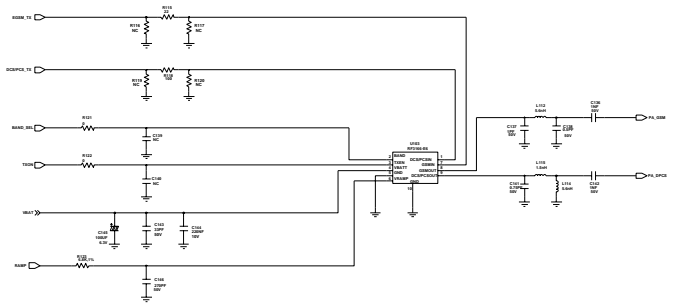
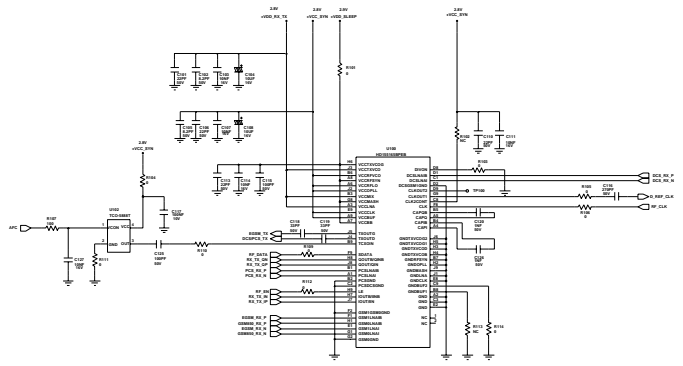
U307
 C304
 C301
 C302
 C303

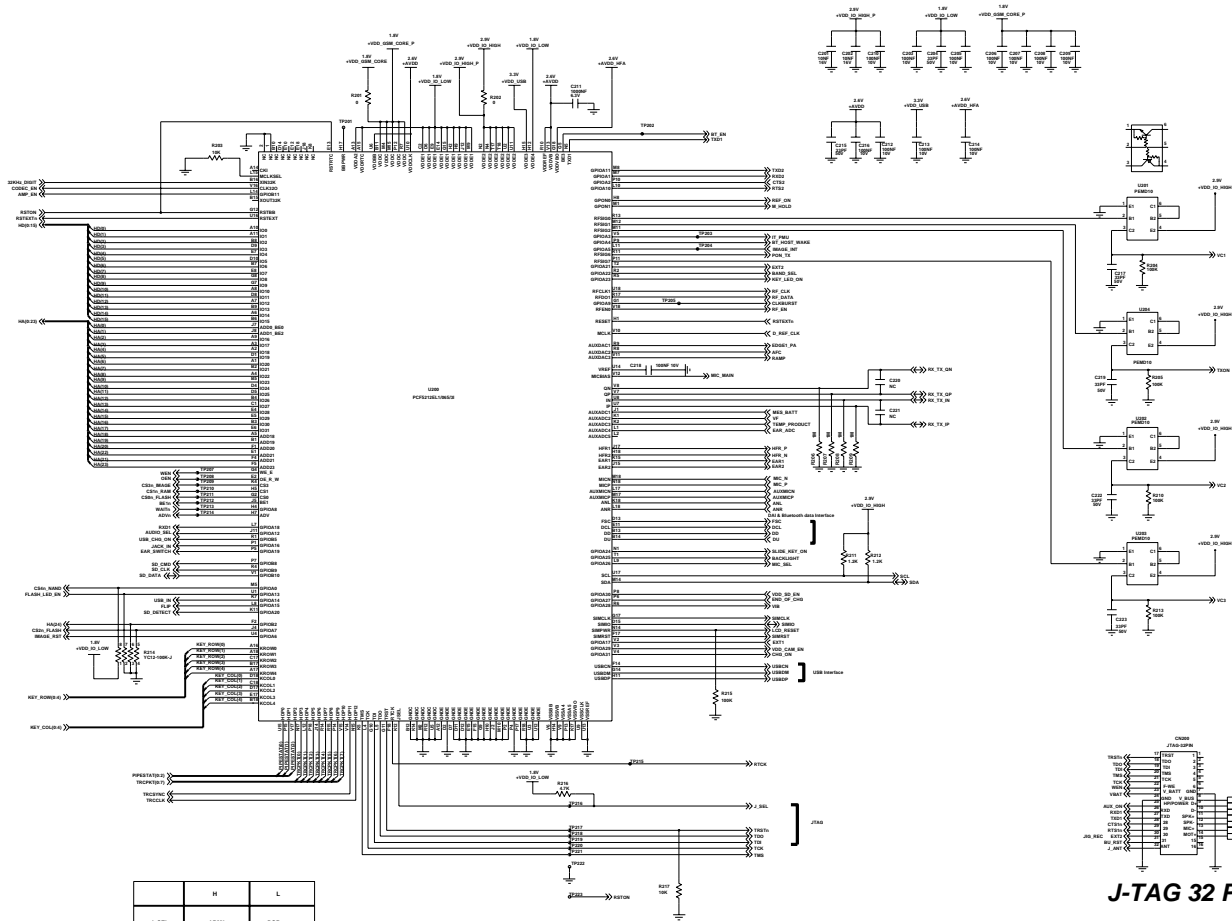




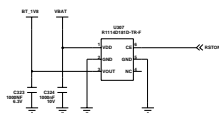
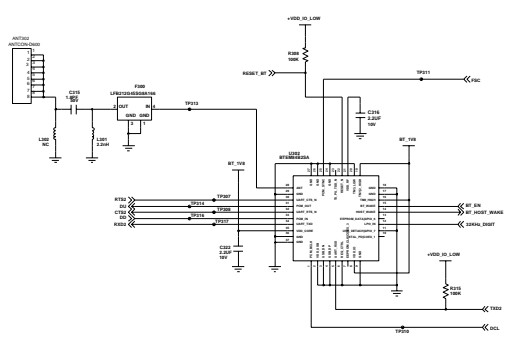
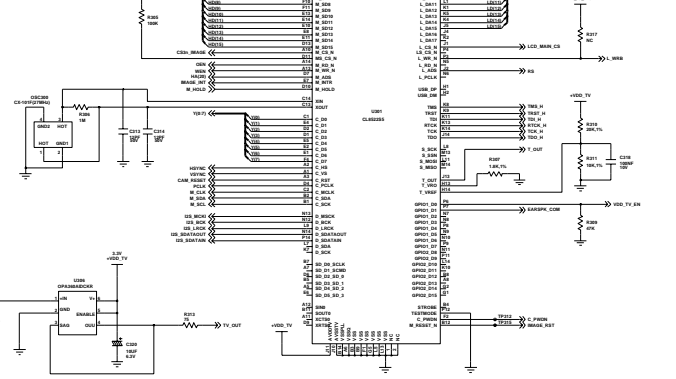
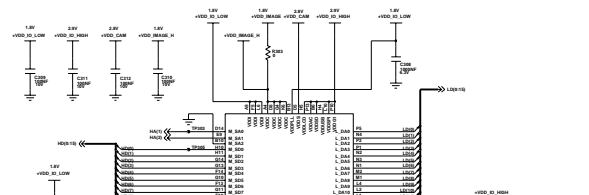
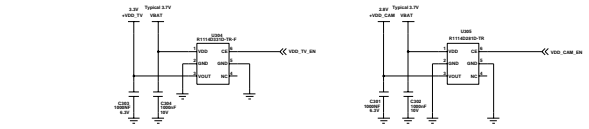
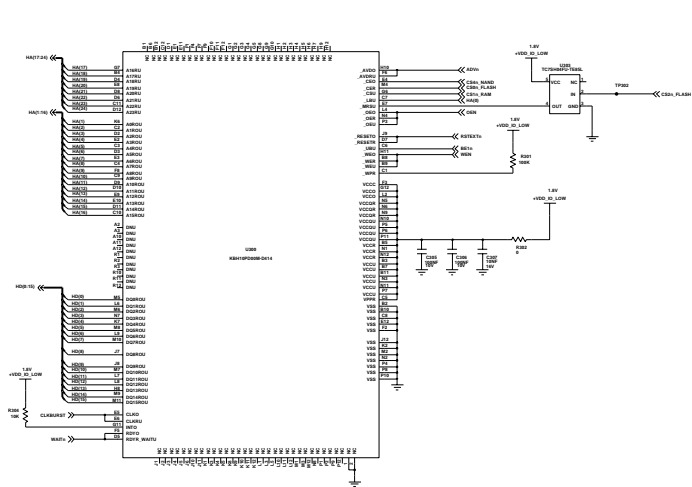


	VCC1	VCC2	VCC3
POWERDOWN0	H	L	L
POWERDOWN1	L	H	L
POWERDOWN2	L	L	L
POWERDOWN3	L	L	L
POWERDOWN4	L	L	H



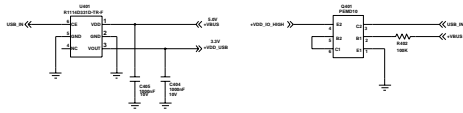


J-TAG 32 PINS

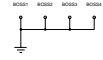
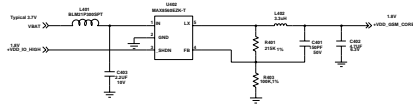


BLUE TOOTH

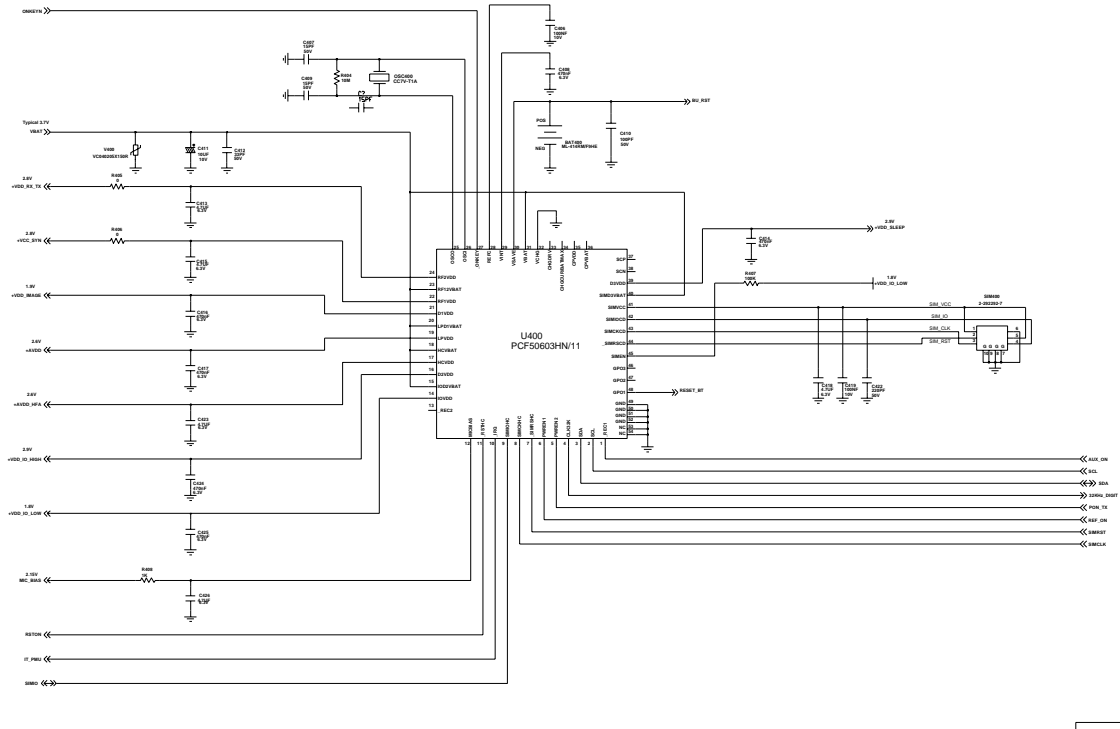
LDO



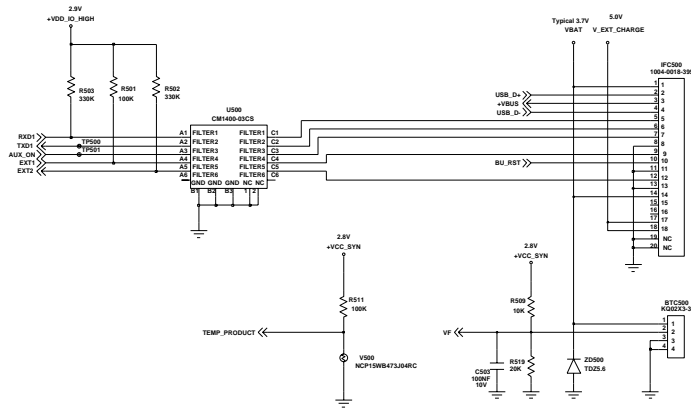
DC/DC Down Converter(1.875Volt)



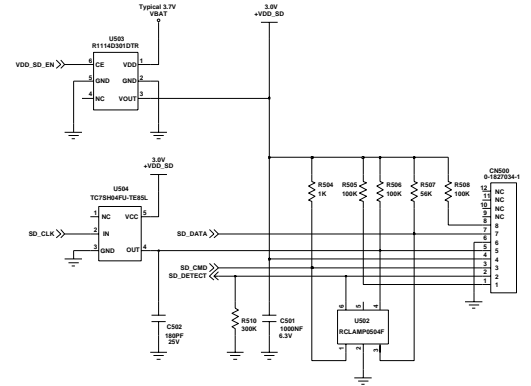
PCB_HOLE



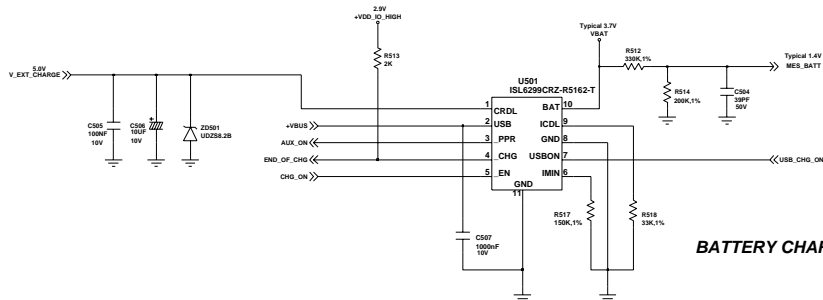
Digital External Interface



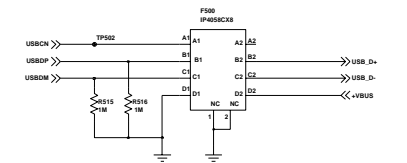
THERMISTOR



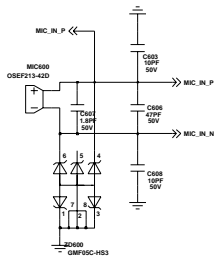
T-FLASH



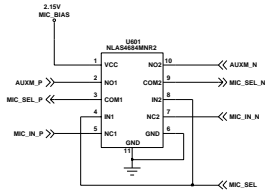
BATTERY CHARGING



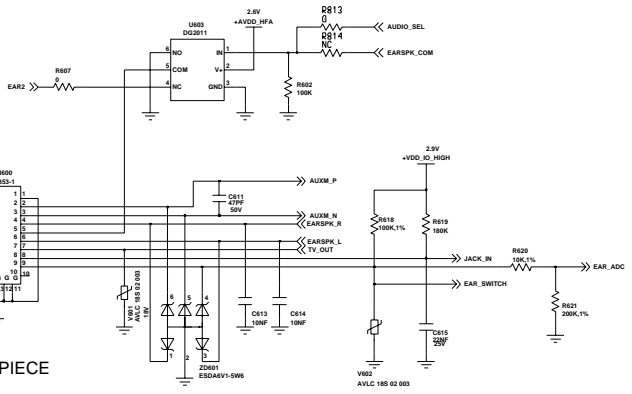
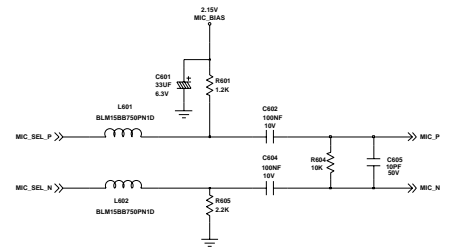
Title			
IF Connector & Charging Schematic			
Size	Document Number	Rev	
A3	SAMSUNG/SGH-PREGIO/B.B.F & CHARGING	Rev 2.6	
Date:	2005.06.17	Sheet	5 of 8



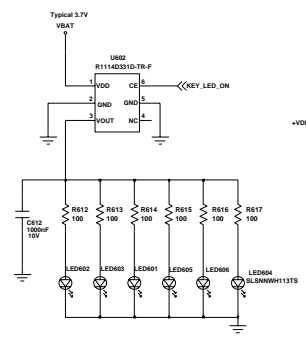
MICROPHONE



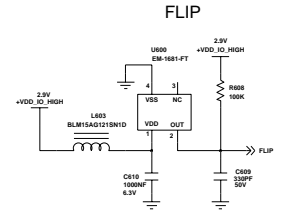
MIC_SEL	
H	EARPHONE MIC
L	MAIN MIC



EARPIECE



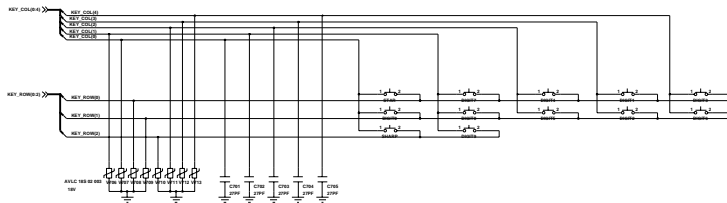
KEY_LED



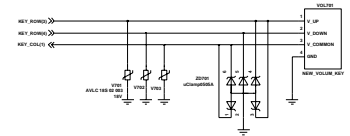
FLIP

FLIP	
H	SLIDE UP
L	SLIDE DOWN

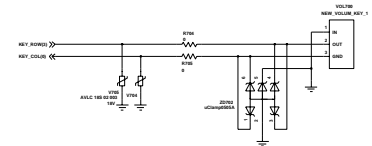
KEY_MAP



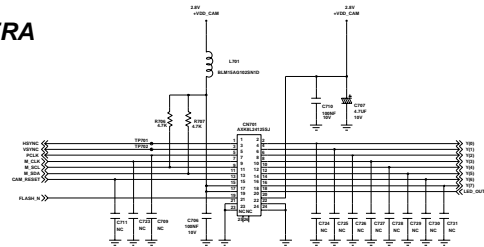
VOLUME_KEY



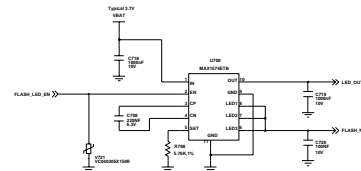
CAMERA_KEY



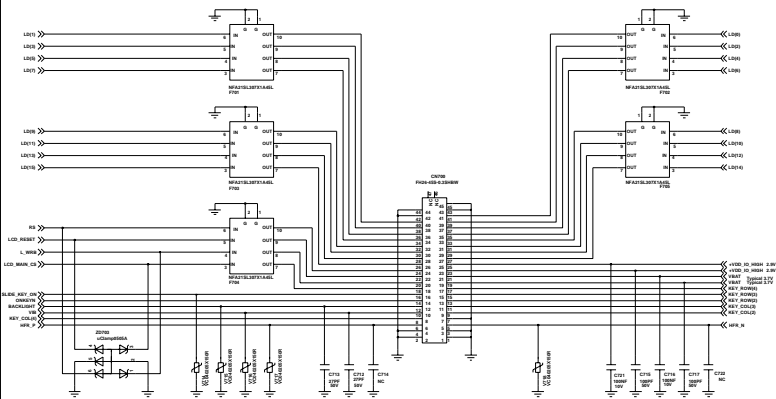
CAMERA

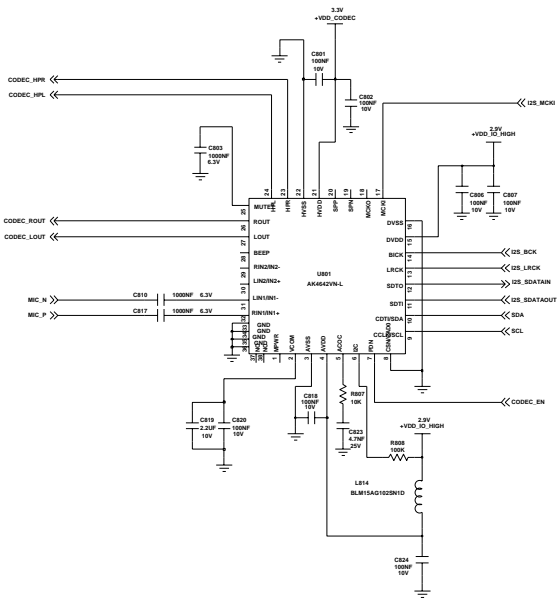


CAM FLASH

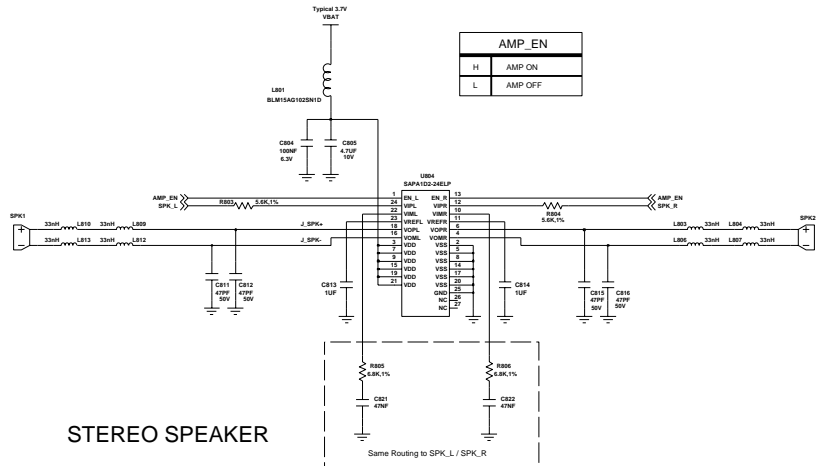


B'D CONNECTOR

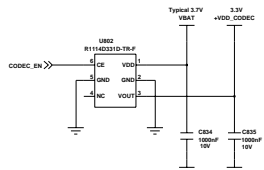




CODEC_EN	
H	CODEC ON
L	CODEC OFF



STEREO SPEAKER



AUDIO_SEL	
H	MAIN - EARPHONE
	CODEC - LOUD SPK
L	CODEC - EARPHONE
	MAIN - LOUD SPK

