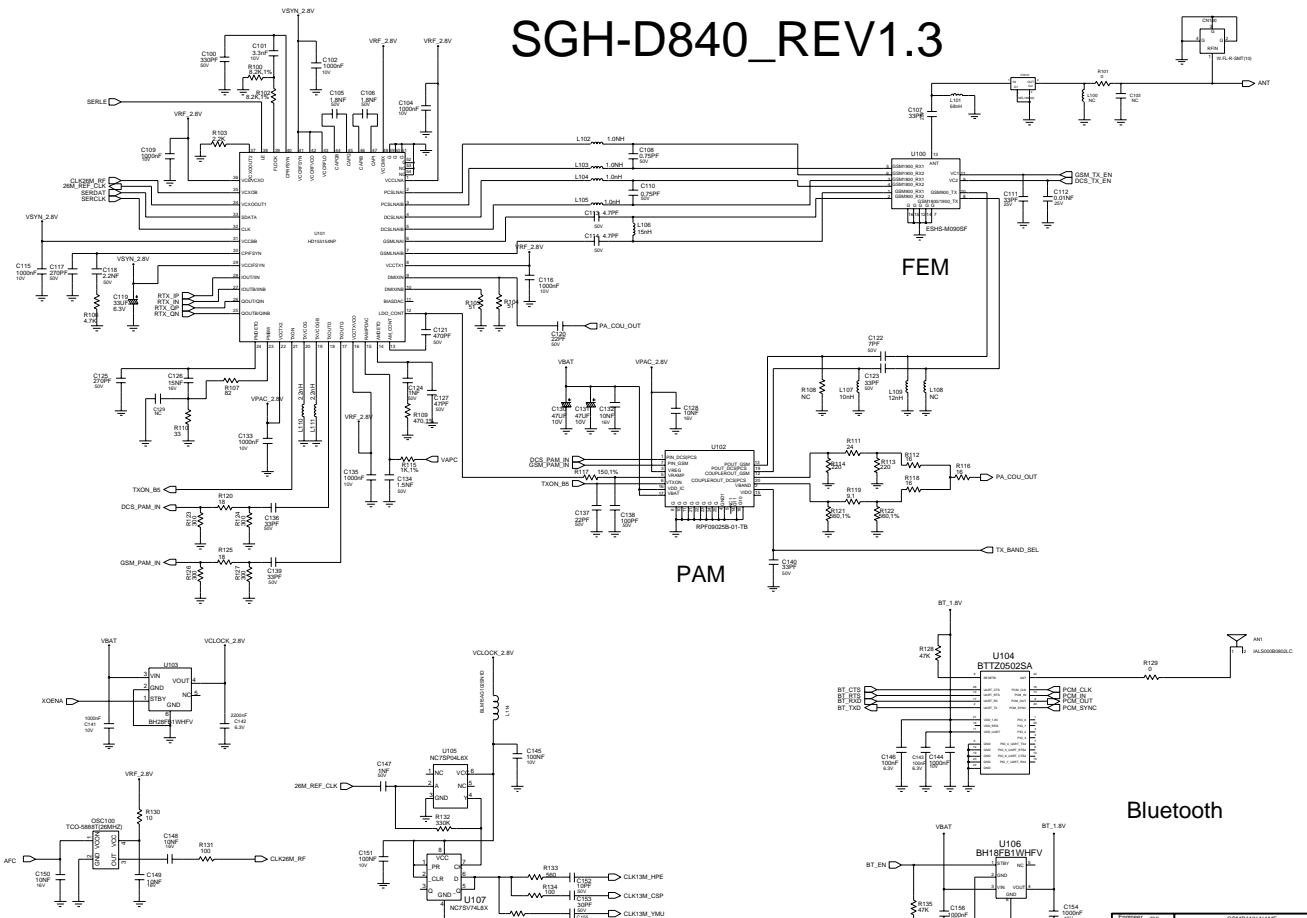


SGH-D840_REV1.3



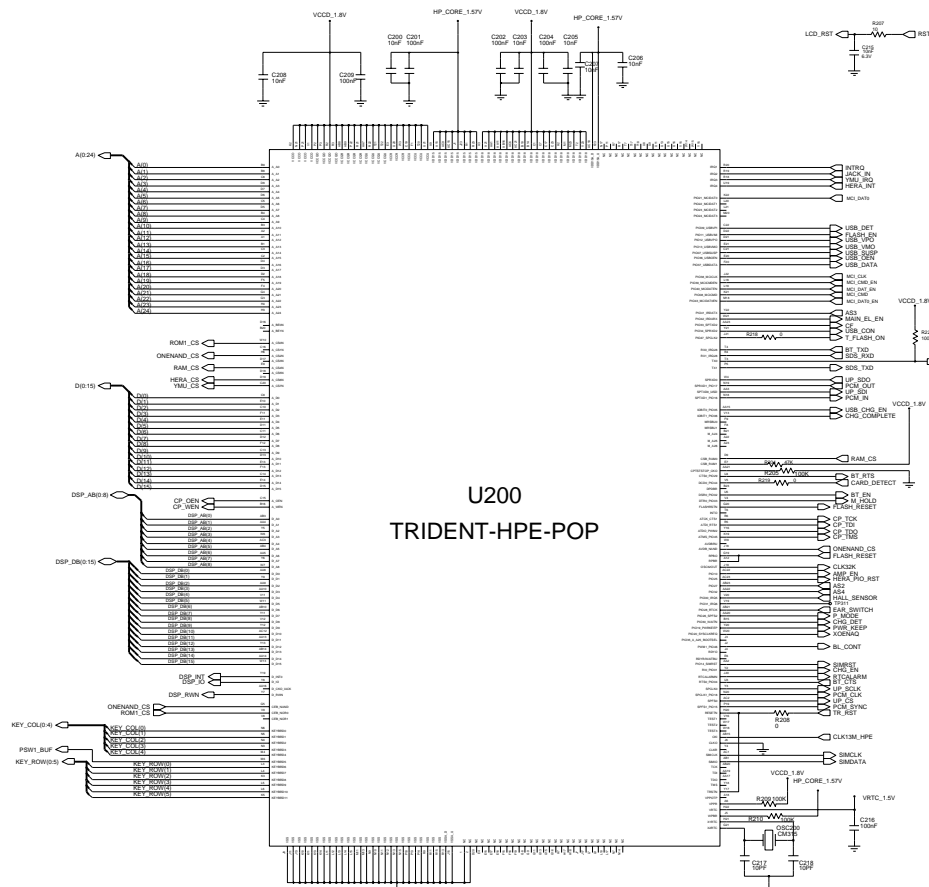
FEM

PAM

Bluetooth

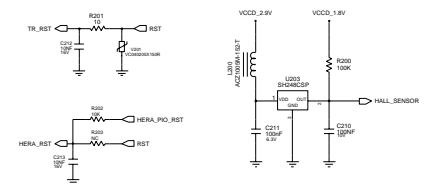
TCXO CLK

Engineer	404	COMPANY NAME	
Drawn by	404	TITLE	
Rev. No.	001	DATE	
Checked by	404	SGH-D900_REV1.3	
Approved by	404	DATE	

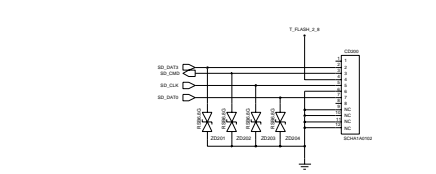
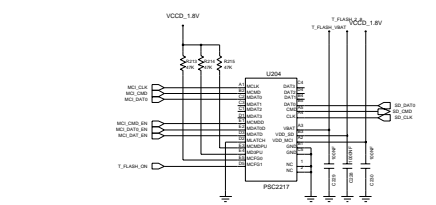
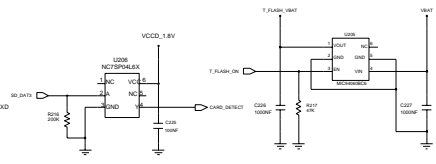


U200
TRIDENT-HPE-POP

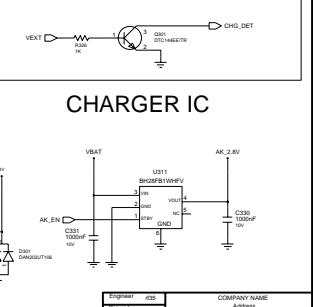
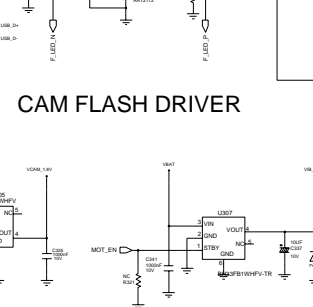
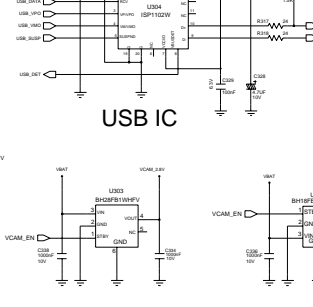
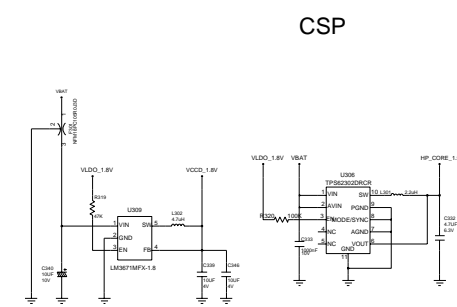
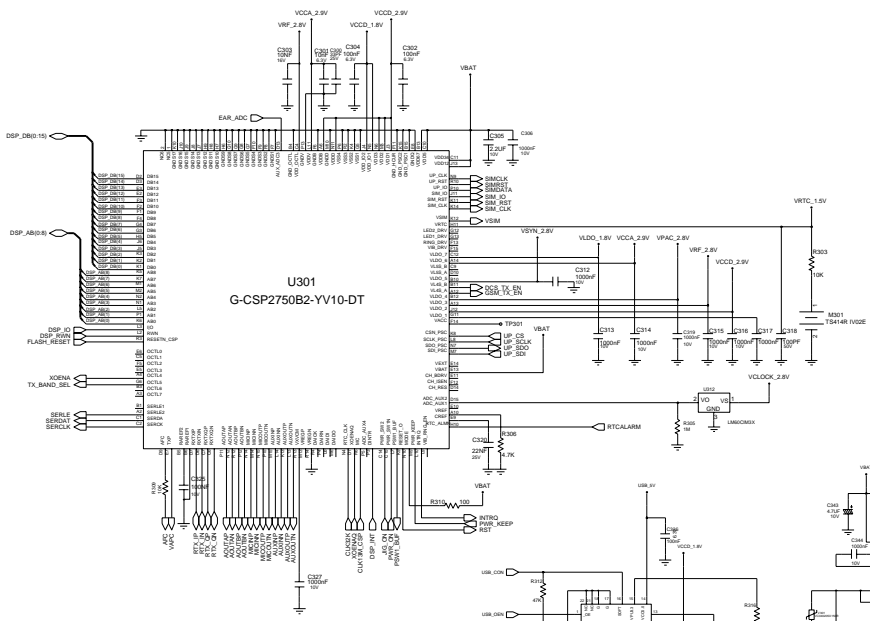
HPE



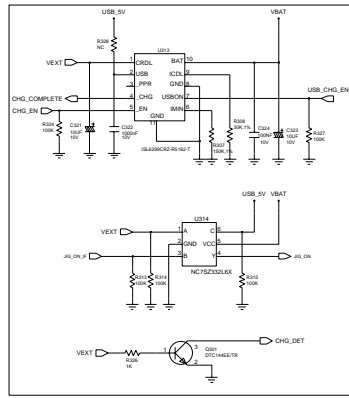
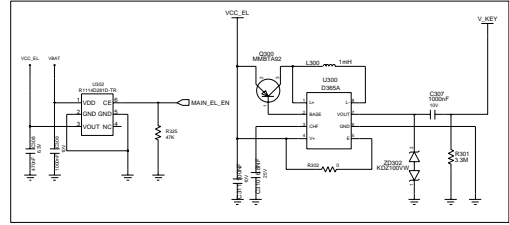
HALL IC



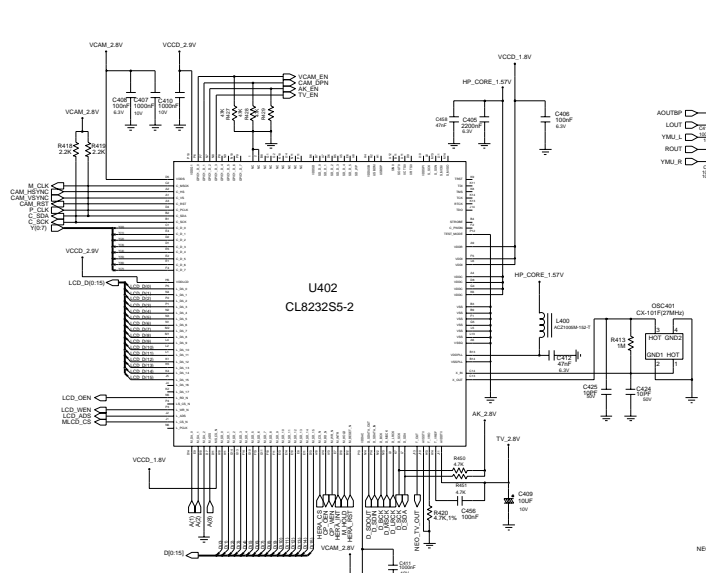
Engineer	CS	COMPANY NAME
Drawn by	CS	Address
Check Date		City
Check Date		
Check Date		
SGH-D900_REV1.3		



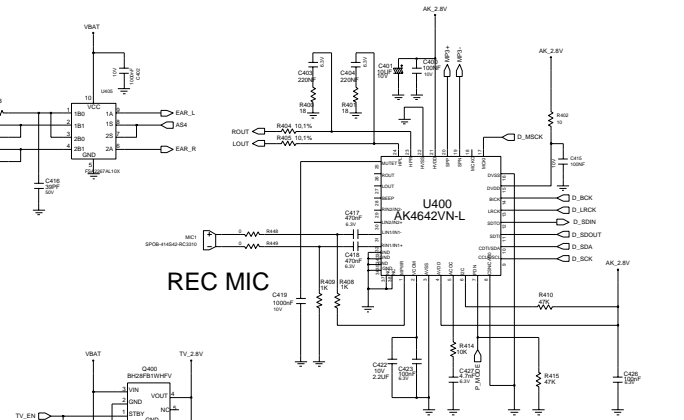
KEY EL DRIVER



ENGINEER	zsh	COMPANY NAME	
DESIGN BY	zsh	ADDRESS	
DATE	2005.07.25	CITY	
DESIGN CHECK		TITLE	
REVISION CHECK		PROJECT NAME	SGH-D900_REV1.3
DATE		DRAWING NUMBER	Sheet 1 of 5

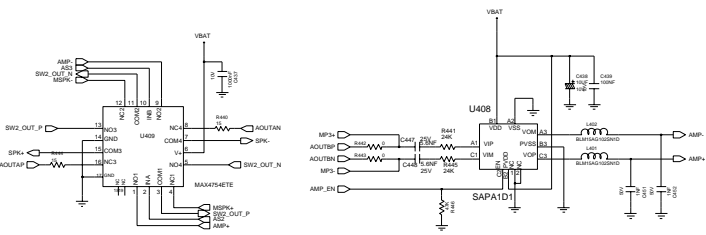


HERA-TV-NEO

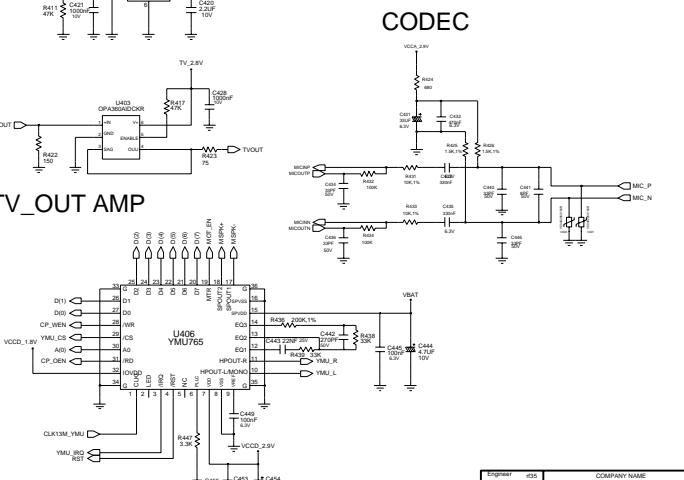


TV_OUT AMP

CODEC



SAPA AUDIO AMP



YAMAHA

Engineer: jcs	COMPANY NAME:
Desig: jcs	Address:
Rev: 01	City:
DATE: 2006-07-25	TITLE:
DESIGNER: jcs	SGH-D900_REV1.3
REVIEWER: jcs	DATE:

MIC1
M301

CD200

CN507

C517
R507
C519
R509
R511
C521
C334
U303
C338
C336

UTAG1
UTAG2

500MHz
5.7GHz
5.7GHz
5.7GHz
5.7GHz
5.7GHz
RST

CN512

L302
U309
U306
F301
C340

U102

R120 R123
C136 R116
R124 R112
C140 R118
C128 R122
R117 R119
C138 R121
C137 R122
C139 R121
R127 R121
R126 R114
R114 R108
C122 C130 C132 C131
L109 L107

U312

R305

U315

U104

U100

L102
L103
L104
C105
C106
C107
C108
C109
C110
C111
C112
C113
C114
C115
C116
C117
C118
C119
C120
C121
C122
C123
C124
C125
C126
C127
C128
C129
C130
C131
C132
C133
C134
C135
C136
C137
C138
C139
C140
C141
C142
C143
C144
C145
C146
C147
C148
C149
C150
C151
C152
C153
C154
C155
C156
C157
C158
C159
C160
C161
C162
C163
C164
C165
C166
C167
C168
C169
C170
C171
C172
C173
C174
C175
C176
C177
C178
C179
C180
C181
C182
C183
C184
C185
C186
C187
C188
C189
C190
C191
C192
C193
C194
C195
C196
C197
C198
C199
C200

U101

OSC100

AN1

CN101

CN100

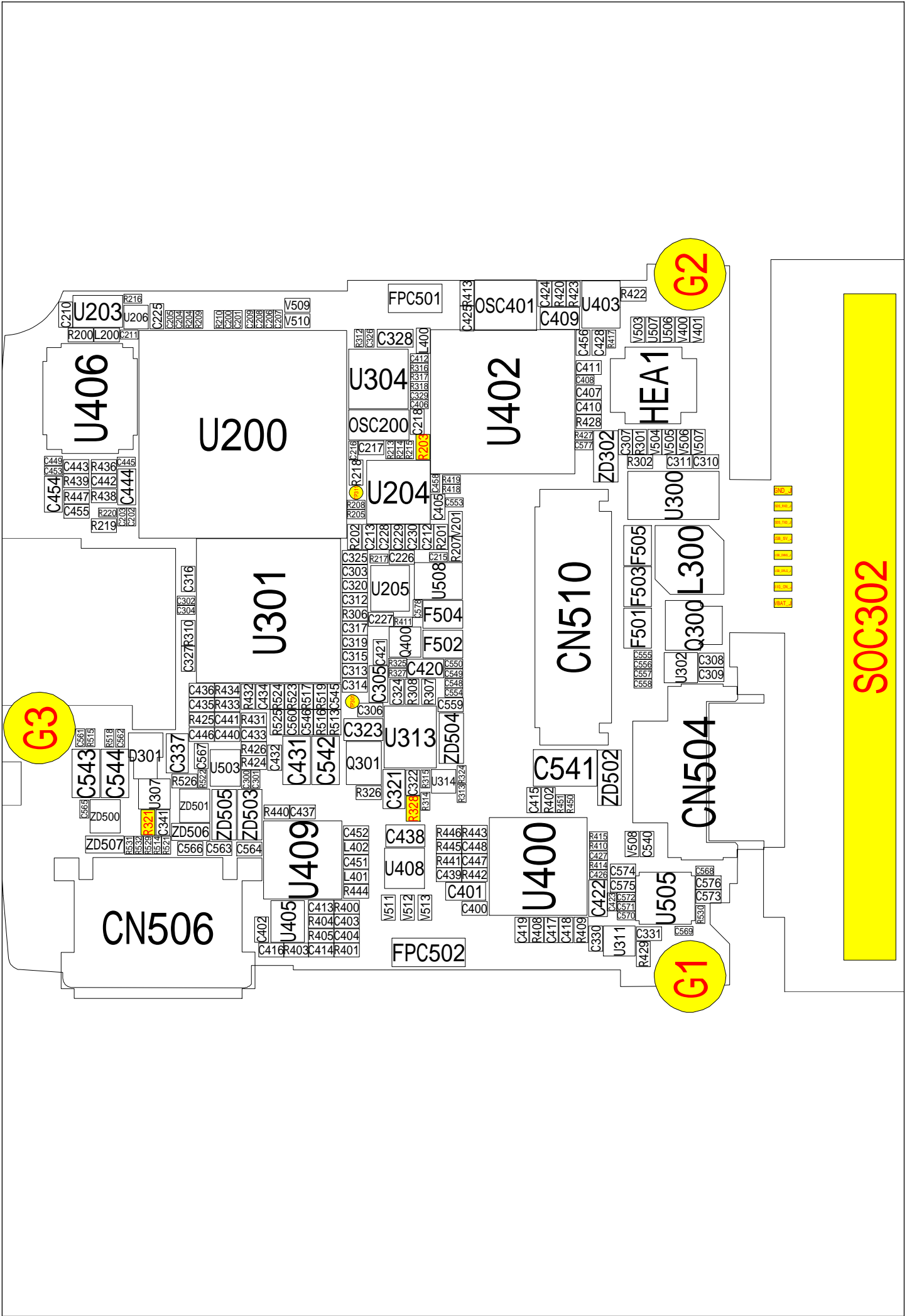
R101
C103
L101

V301

U107

U106

500MHz



G2

G3

G1

SOC302