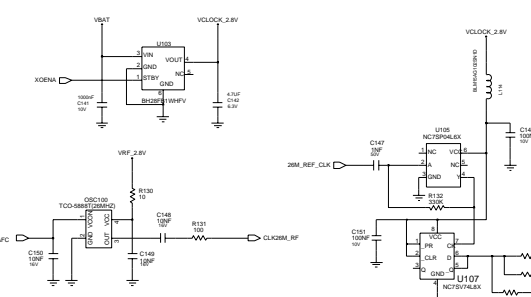
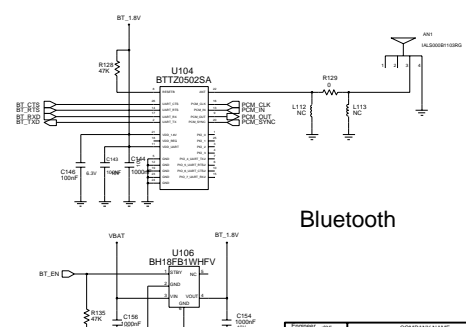


FEM

PAM

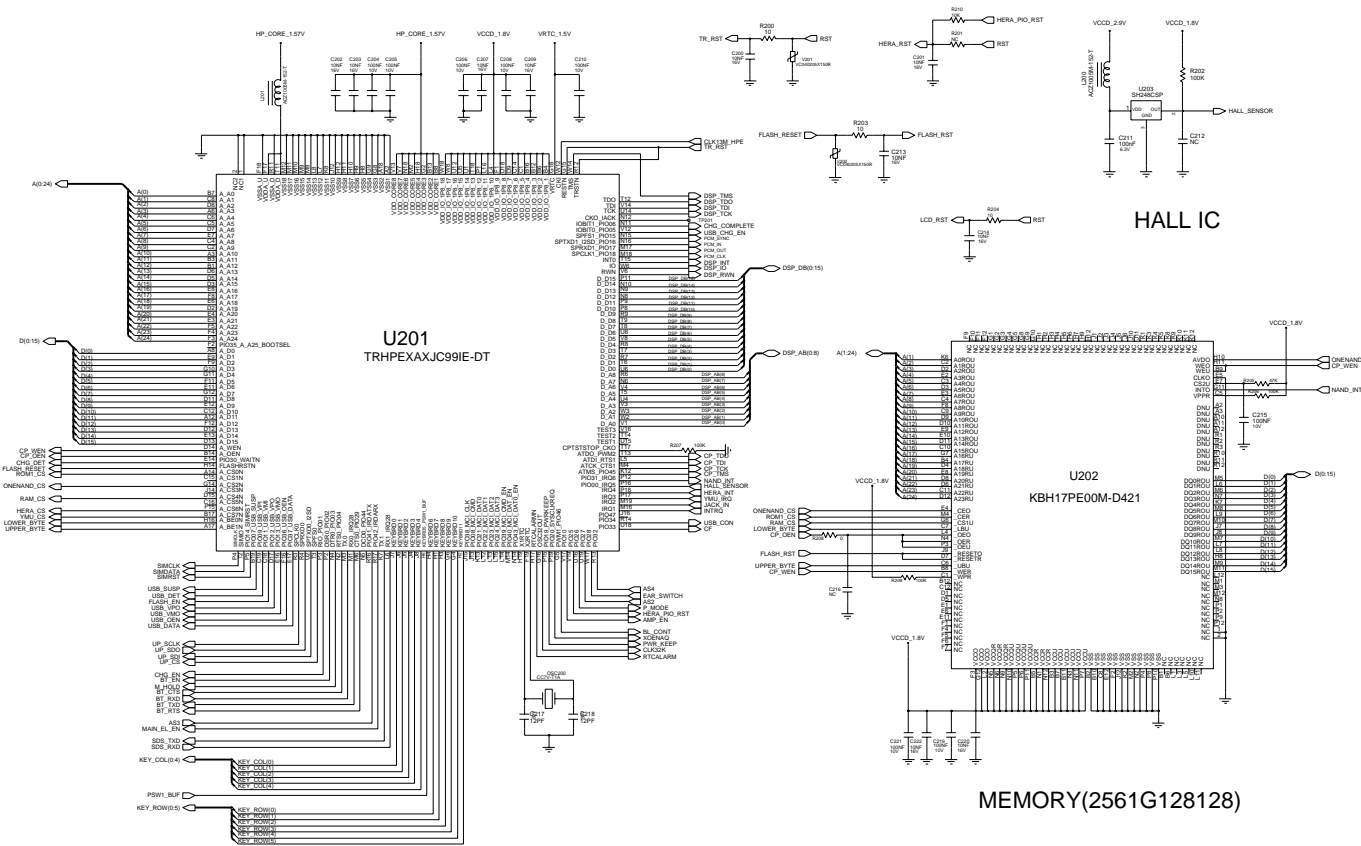


TCXO CLK



Bluetooth

Engineer	DES	COMPANY NAME
Drawn by	JES	Address
Check Date		City
Check Date		Country
Check Date		SGH-D900_REV0.7
Check Date		



U201
TRHPEXAXJC99IE-DT

U202
KBH17PE00M-D421

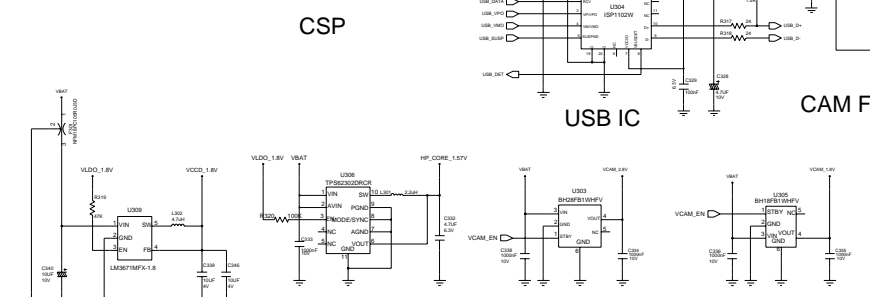
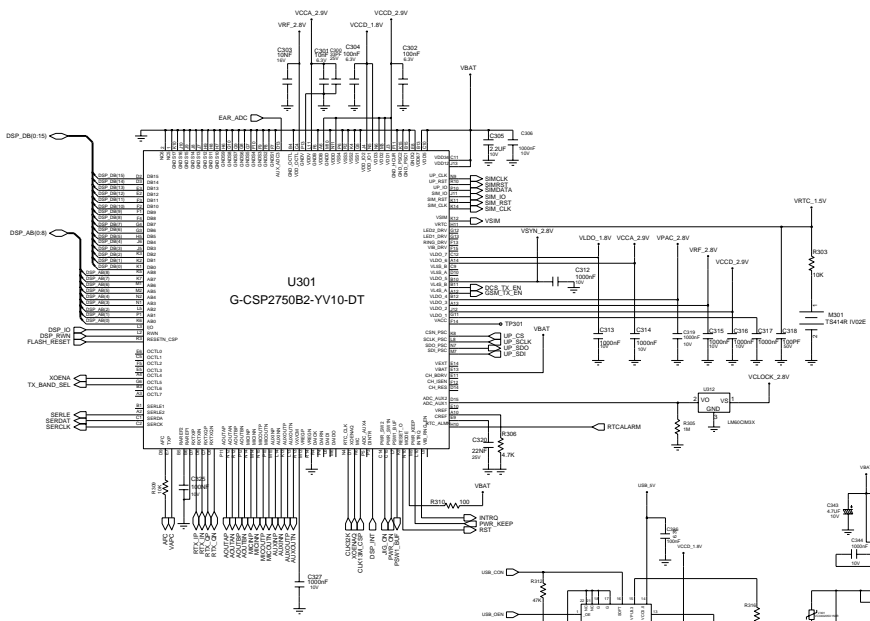
MEMORY(256G128128)

HPE

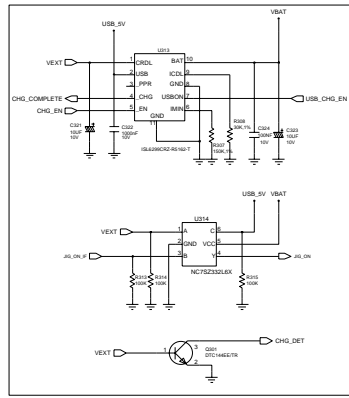
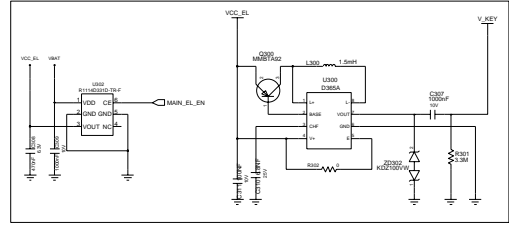
BOARD_HOLE



Engineer	CS	COMPANY NAME	
Drawn by	CS	Address	
DATE DRC		TITLE	
DATE CHECK		SGH-D900_REV0.7	
DATE APPROVE		REVIT/REVOR/CAC	
Changed by	CS	Date Changed	2008.02.25
Drawn	CS	Date	2008.02.25
Checked	CS	Date	2008.02.25
Drawn	CS	Date	2008.02.25
Checked	CS	Date	2008.02.25
Drawn	CS	Date	2008.02.25
Checked	CS	Date	2008.02.25
Drawn	CS	Date	2008.02.25
Checked	CS	Date	2008.02.25



KEY EL DRIVER

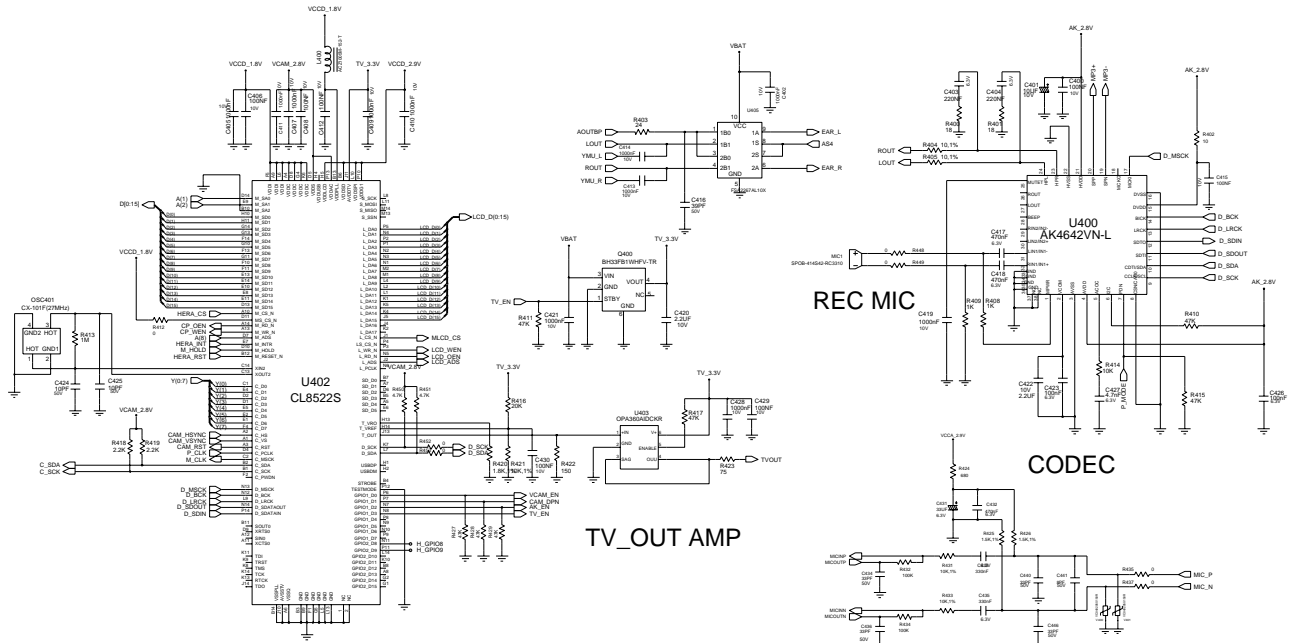


USB IC

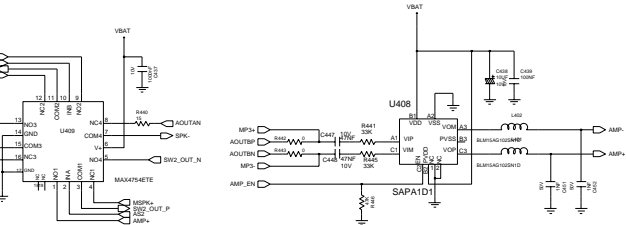
CAM FLASH DRIVER

CHARGER IC

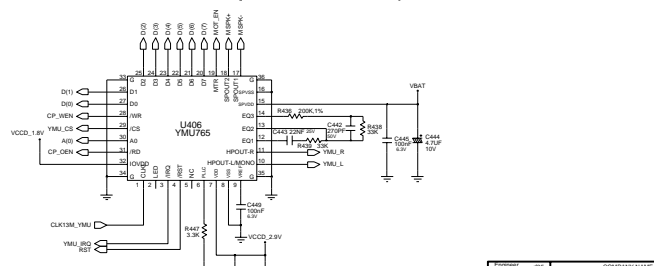
ENGINEER	JDS	COMPANY NAME
DESIGN BY	JDS	ADDRESS
CHECKED BY		CITY
DATE OF CHECKING		TITLE
DESIGN APPROVED BY		SGH-D900_REV.0.7



HERA-TV



SAPA AUDIO AMP



YAMAHA

