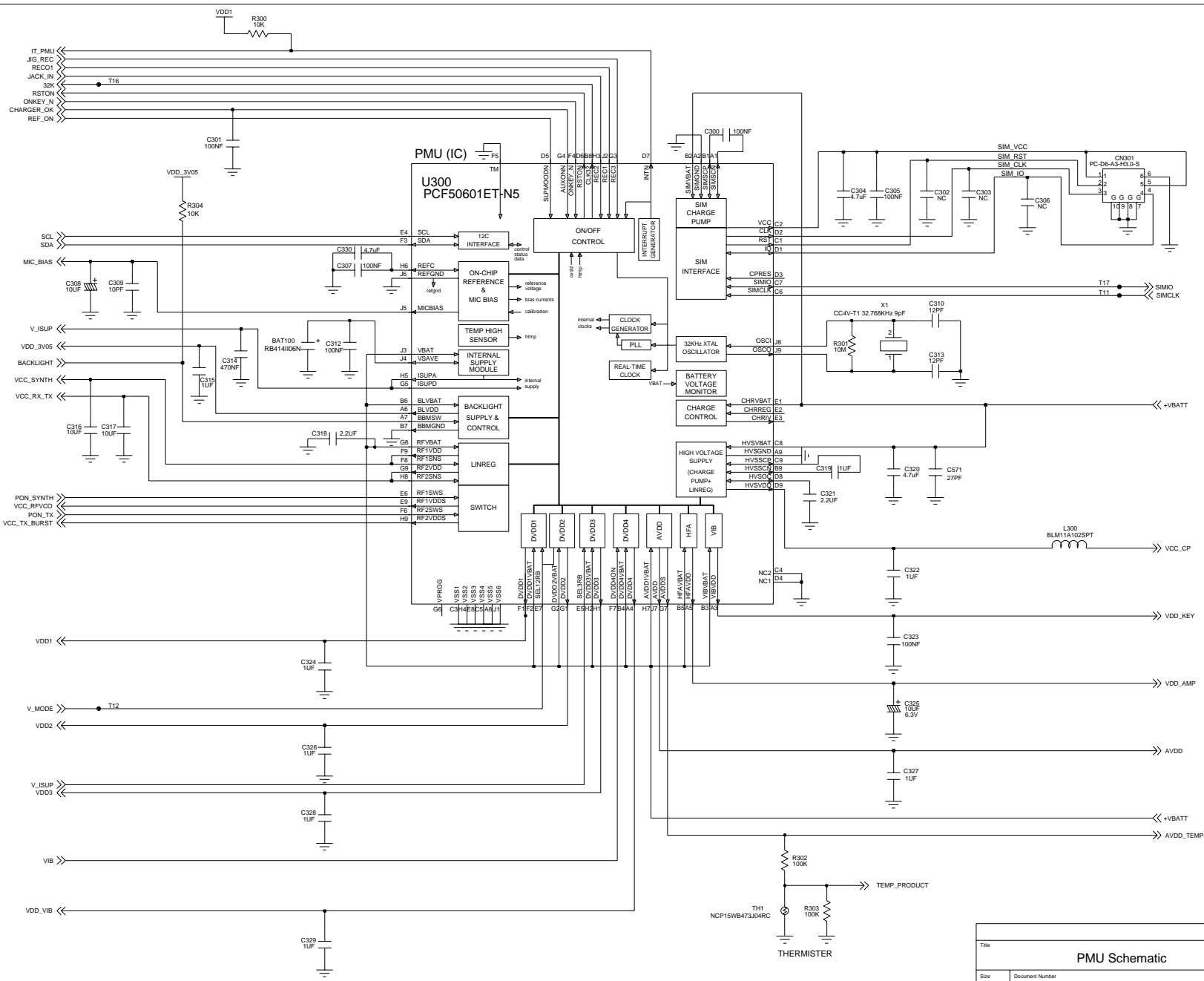
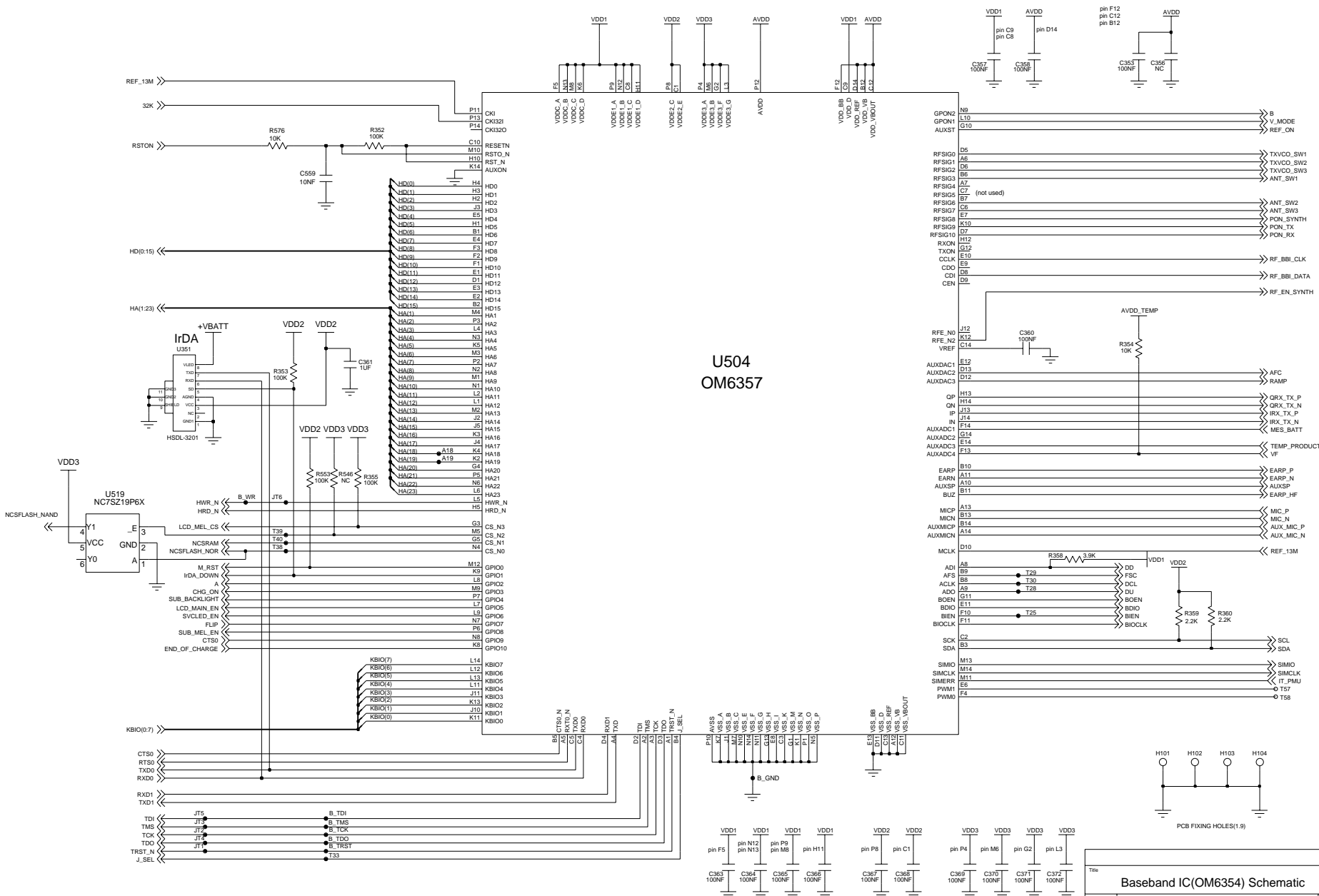
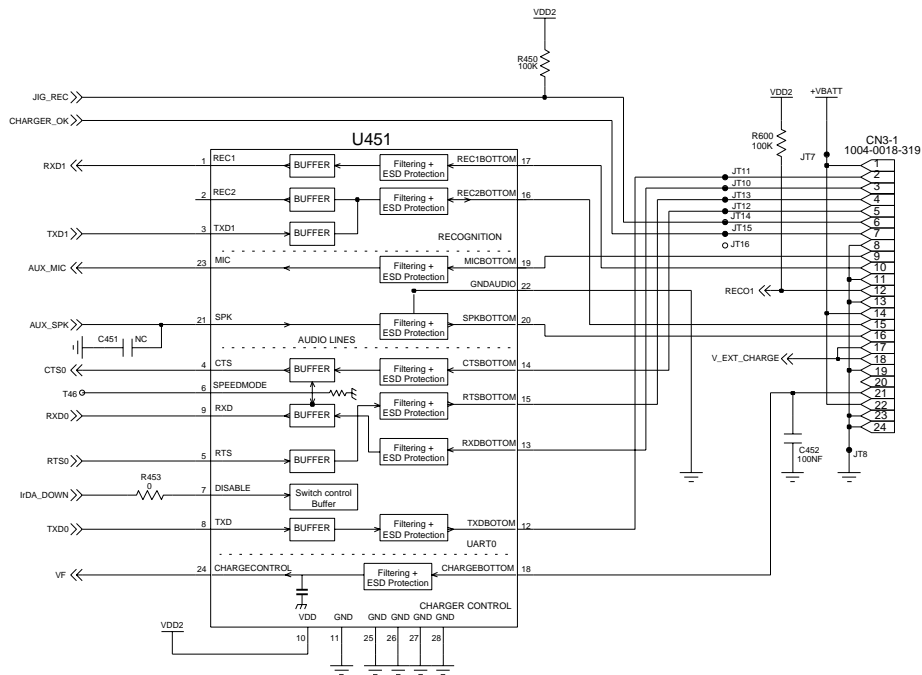


	VC1(VC_DCS)	VC2(VC_PCS)	VC3(VC_EGSM)
EGSM_TX	1	0	0
EGSM_RX	0	0	0
DCS/PCS_TX	0	1	0
DCS_RX	0	0	0
PCS_RX	0	0	1

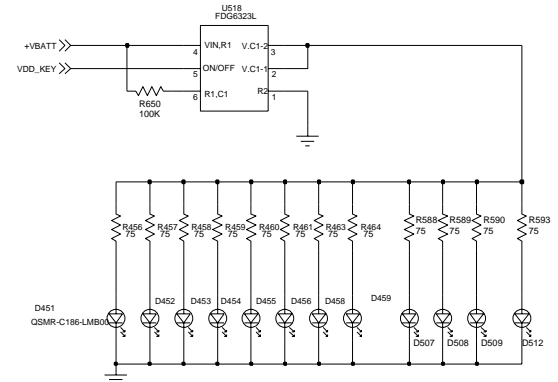


SIGNAL	TYP
MIC_BIAS	2V1
V_ISUP	2V7
BL_LCD_VDD	3V05
VCC_SYN	2V7
VCC_RX_TX	2V7
VCC_RF_VCO	2V7
VCC_RX_BURST	2V7
VDD1	1V35 2V35
VDD2	1V95
VDD3	1V95
VDD4	3V05
AVDD	2V65
AVDD_TEMP	2V65
HFAVDD	3V05
VIBVDD	2V95
VCC_CP	4V
SIMVDD	3V
SIMVDD	5V





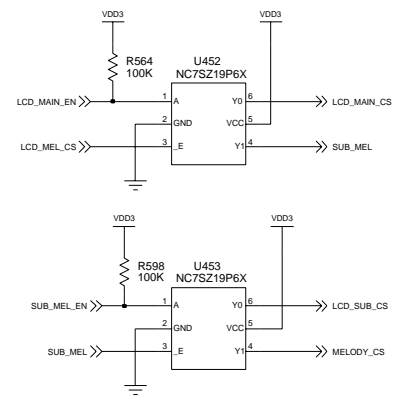
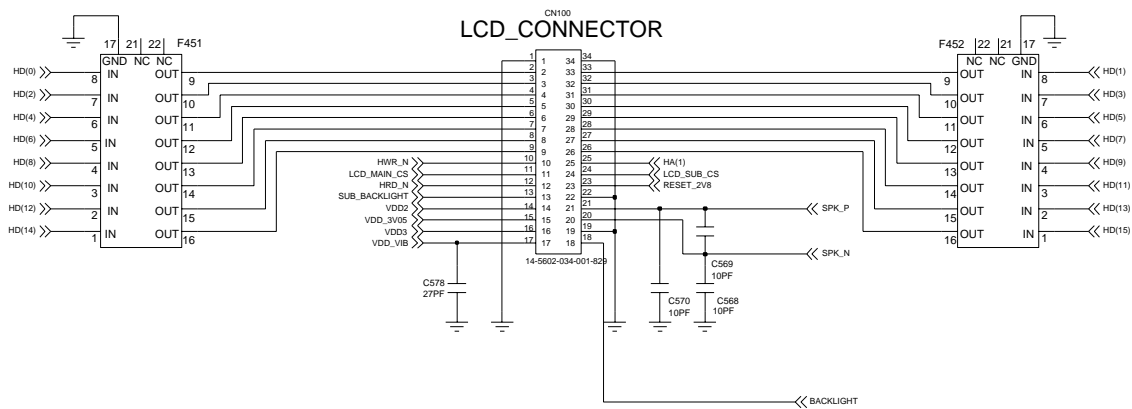
Digital External Interface



KEY_LED



DOM-GUIDE HOLE



LCD Selection Circuit

	LCS_MEL_CS	LCD_SEL
LCD_MAIN_CS	0	0
SUB_CS	0	1

	LCS_CS	LCDMAIN_SUB_SEL
LCD_SUB_CS	0	0
MELODY_CS	0	1

