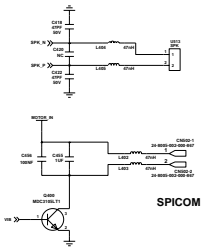
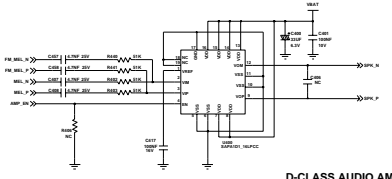


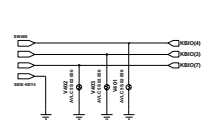
RECEIVER



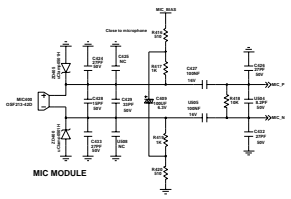
SPICOM



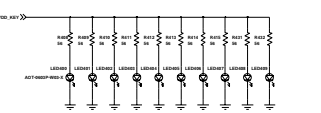
D-CLASS AUDIO AMP



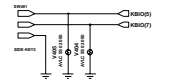
UP\_DOWN\_PTT KEY



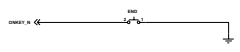
MIC MODULE



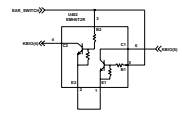
KEY LED



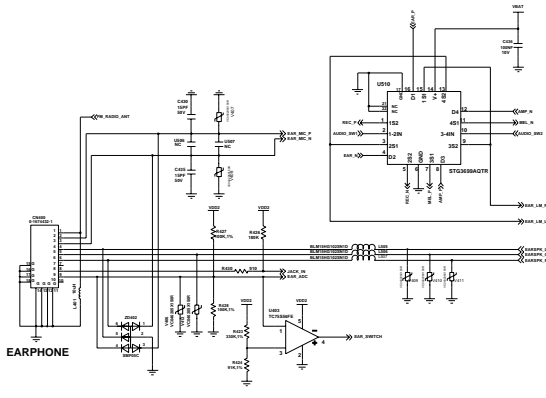
CAMERA KEY



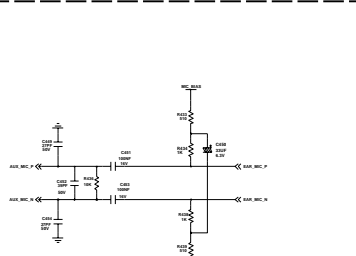
POWER KEY



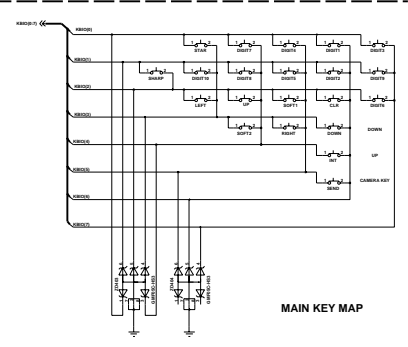
EARPHONE SWITCH



EARPHONE



EARPHONE MIC



MAIN KEY MAP

PROJECT	SGH-X620_REV3.0
DESIGN BY	DATE
DESIGN CHECK	DATE
APPROVED BY	DATE
AUDIO BLOCK & KEY	
DESIGNED BY	DATE
DESIGN CHECK	DATE
APPROVED BY	DATE





