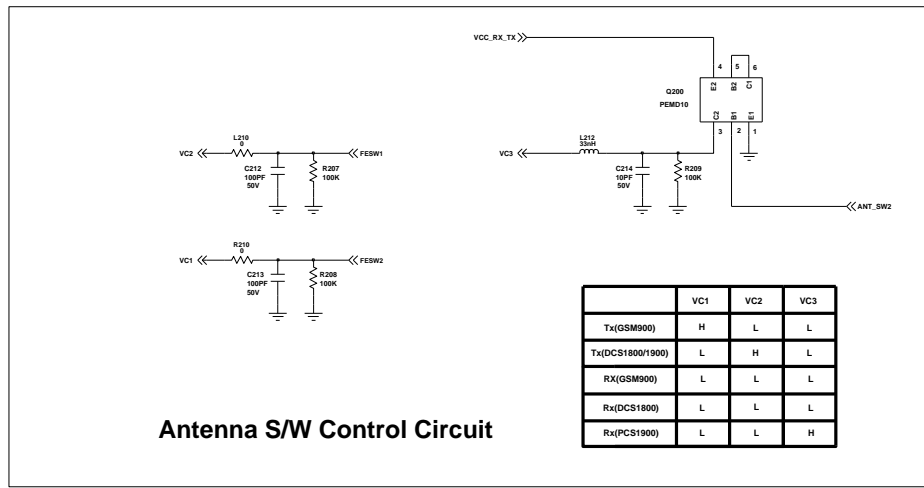
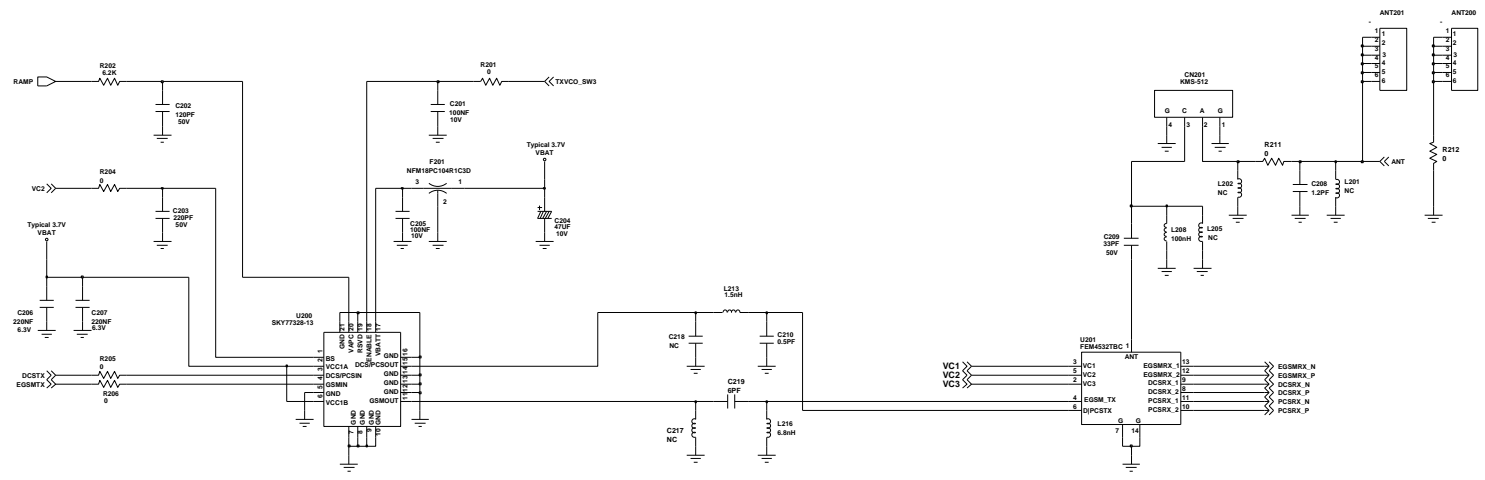
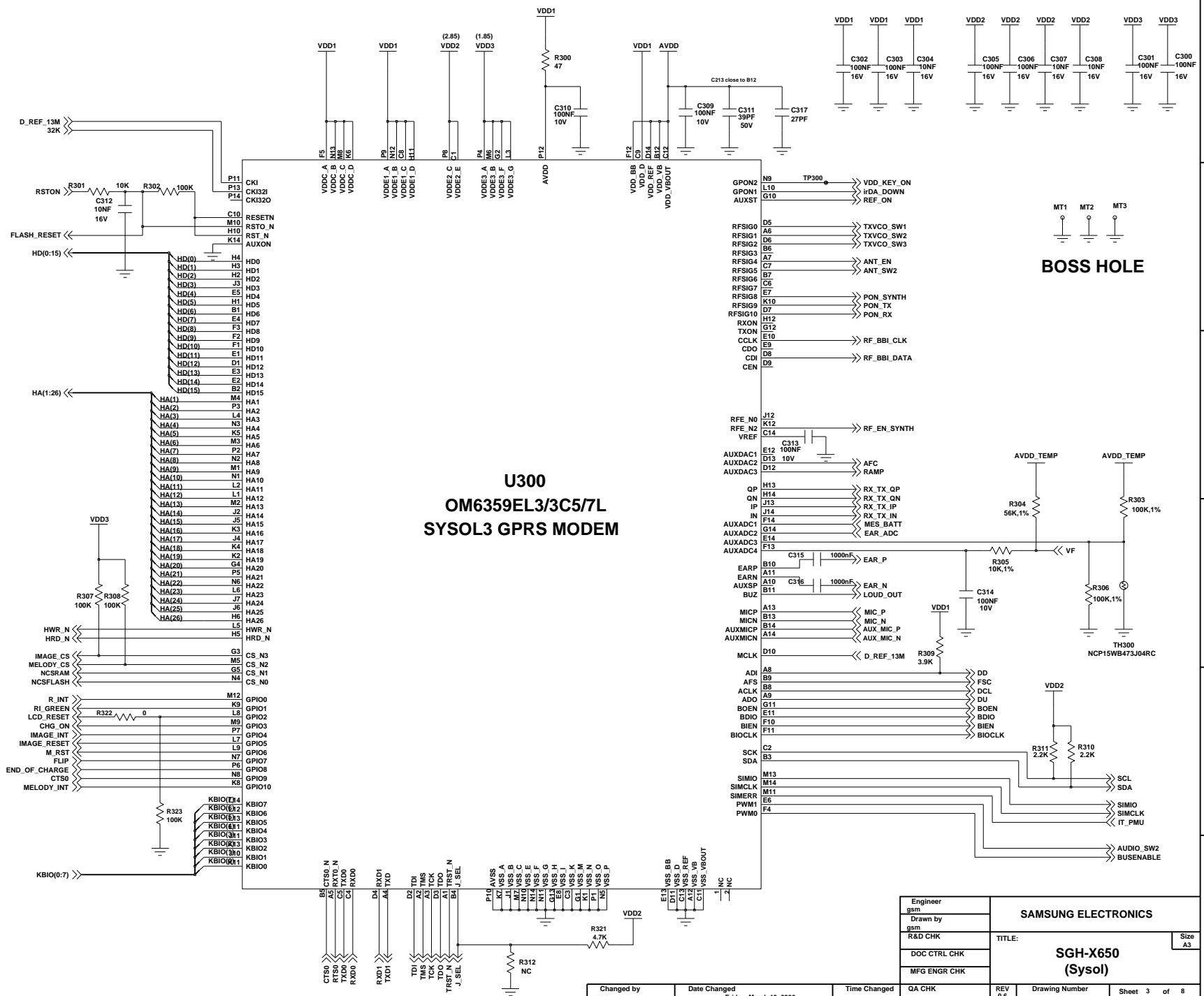


Engineer gsm	SAMSUNG ELECTRONICS	Sheet 22
Drawn By gsm		
READ CHK gsm		
DOC CTRL CHK gsm		
MFG ENGR CHK gsm	TITLE SGH-X650 (RF part)	

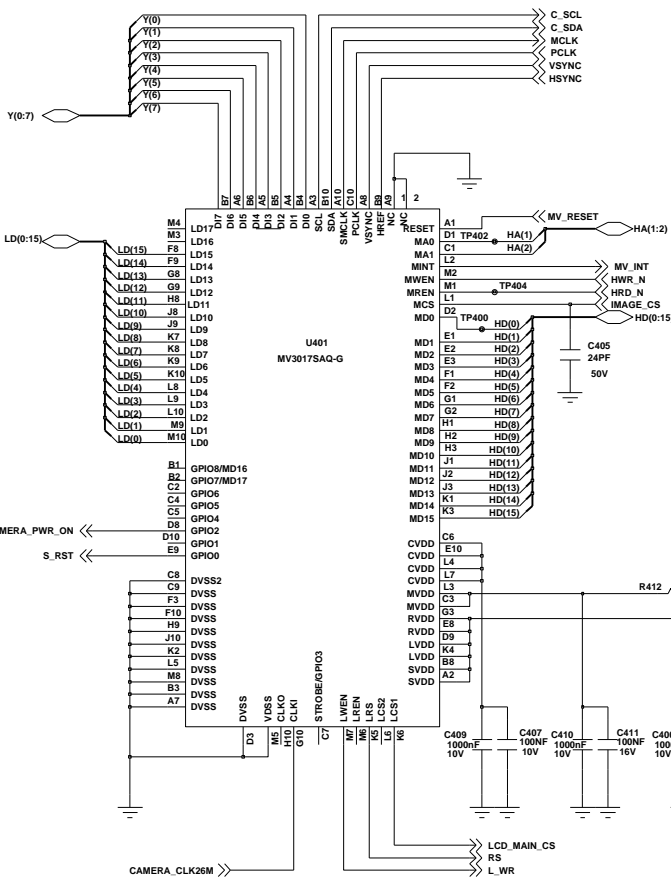




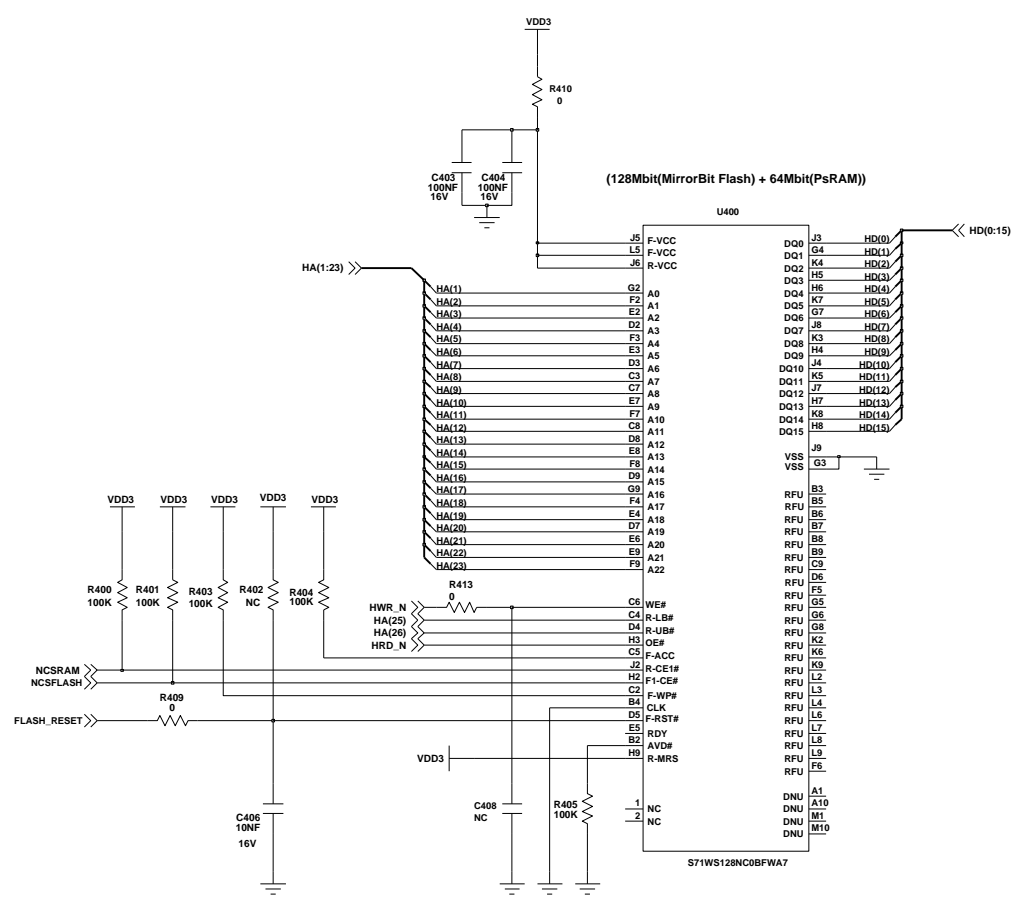
**U300
OM6359EL3/3C5/7L
SYSOL3 GPRS MODEM**

BOSS HOLE

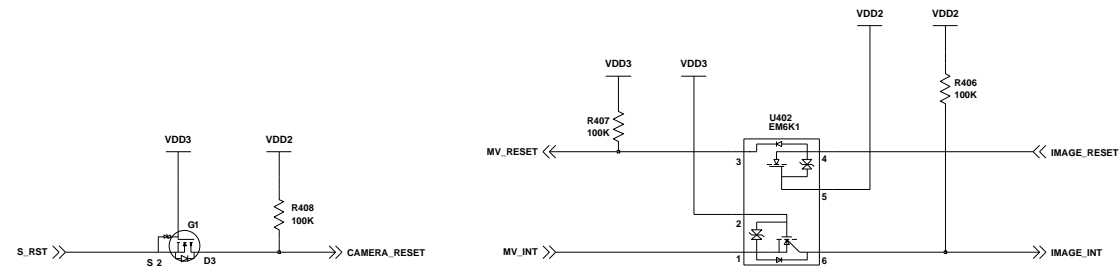
Engineer gsm	SAMSUNG ELECTRONICS	Size A3
Drawn by gsm		
R&D CHK DOC CTRL CHK MFG ENGR CHK		
TITLE: SGH-X650 (Sysol)		



CAMERA CHIP

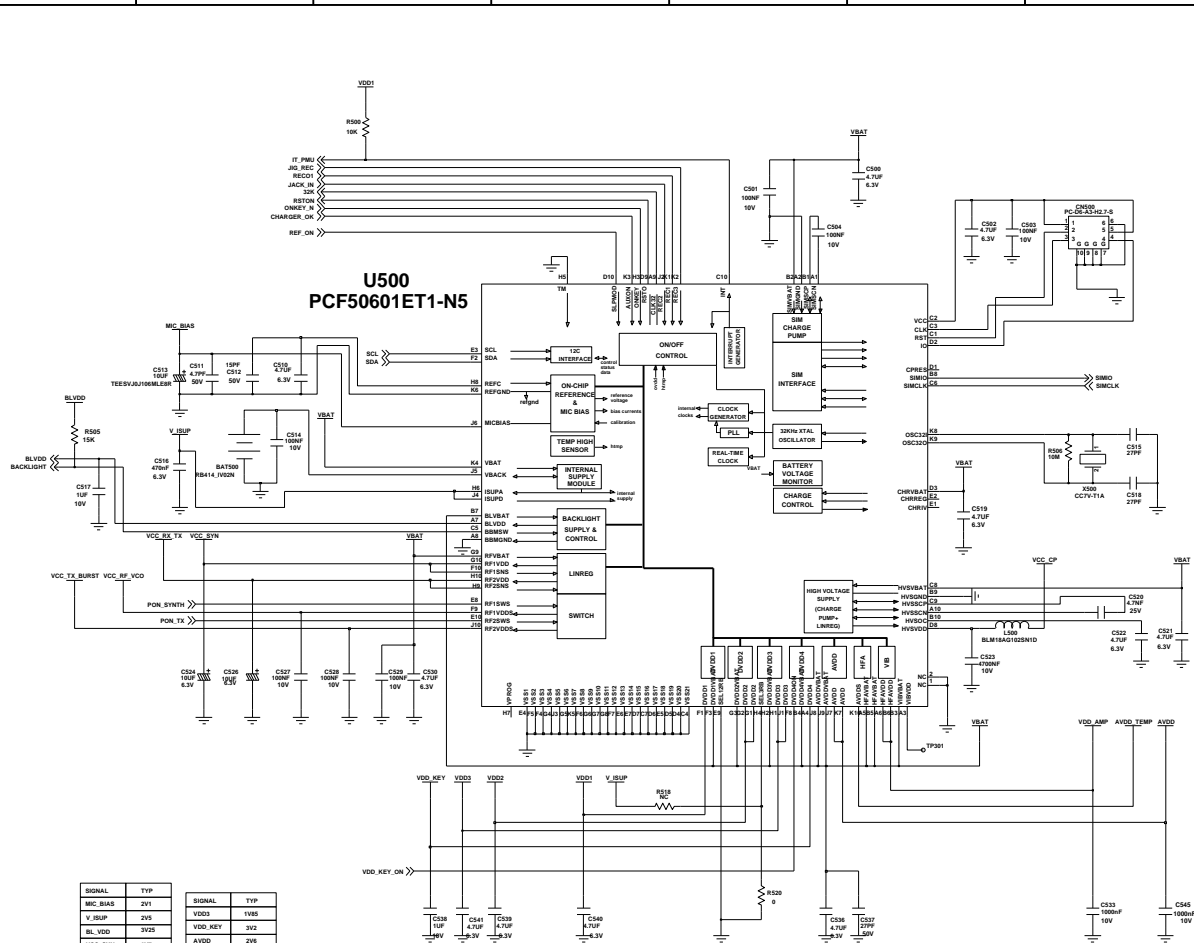


MEMORY



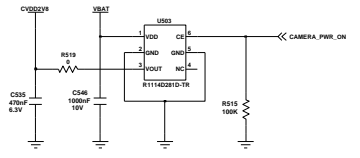
LEVEL SHIFT

Engineer gsm	SAMSUNG ELECTRONICS	Size A3
Drawn by gsm		TITLE: SGH-X650 (Memory & CSP)
R&D CHK		REV D.6
DOC CTRL CHK		Drawing Number
MFG ENGR CHK	Sheet 4 of 8	

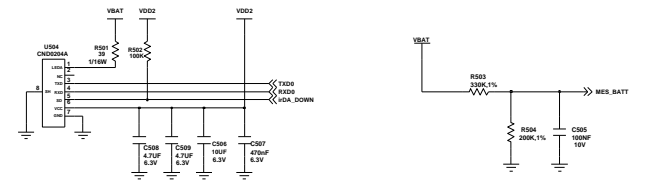


SIGNAL	TYP	SIGNAL	TYP
MIC_BIAS	2V1	VDD3	1V8
V_ILSUP	2V5	VDD_KEY	3V3
BL_VDD	3V25	AVDD	2V8
VCC_SYN	2V7	AVDD_TEMP	2V8
VDD_RX_TX	2V7	VDD_AMP	?
VDD_RF_VDD	2V7	V8VDD	3V
VCC_RA_BURST	2V7	VCC_CP	4V
VDD1	1V75	V8VDD	3V
VDD2	2V85		

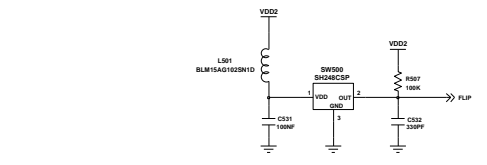
POWER MANAGEMENT UNIT(PMU IC)



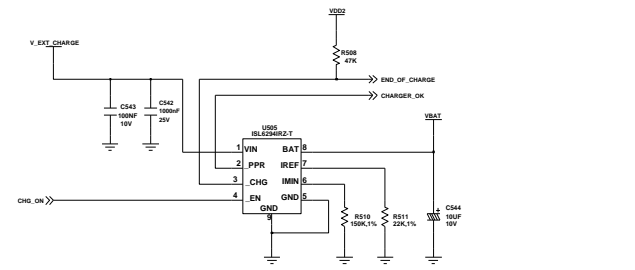
CAMERA POWER



IRDA

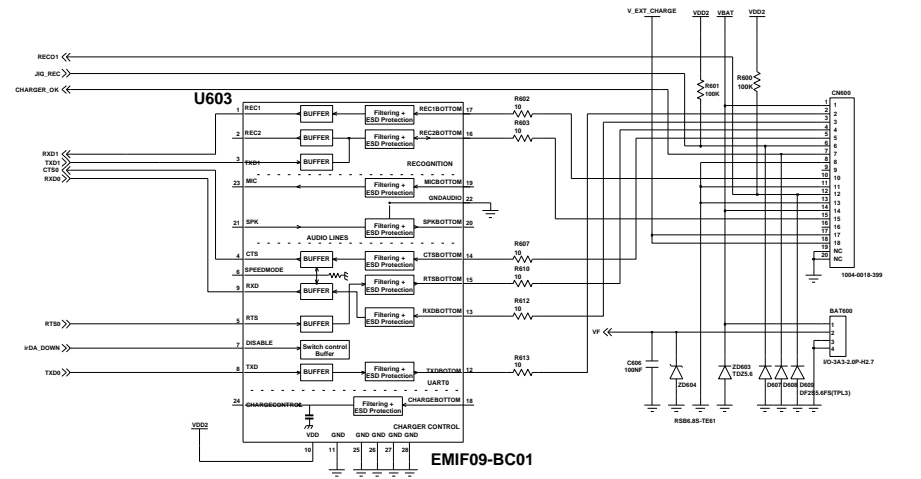
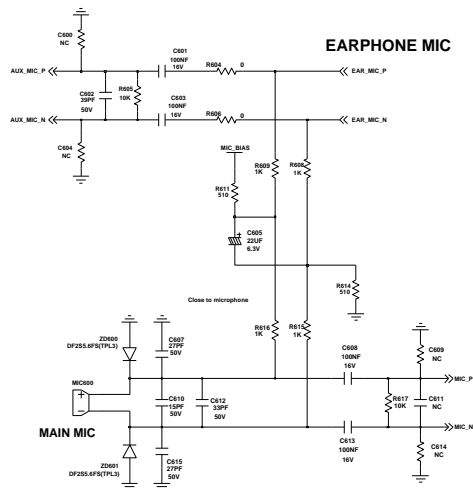


FLIP



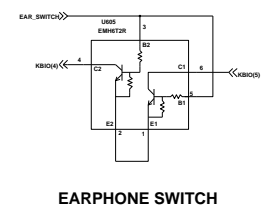
CHARGER IC

Engineer	SAMSUNG ELECTRONICS
Drawn By	
RAO CHK	TITLE
DOE CTRL CHK	SGH-X650
MFG ENGR CHK	(Power management)
Chnged by	QA CHK
Date Chnged	REV
Time Chnged	0.4
	Drawing Number
	Sheet 5 of 8

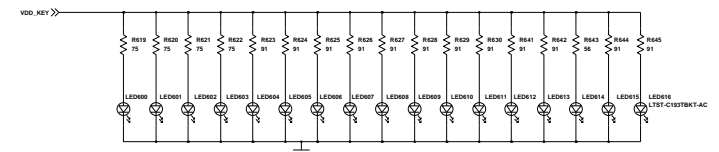


EMIF09-BC01

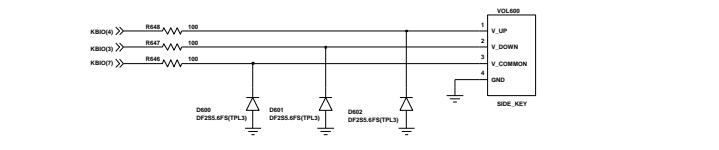
IO CONNECTOR



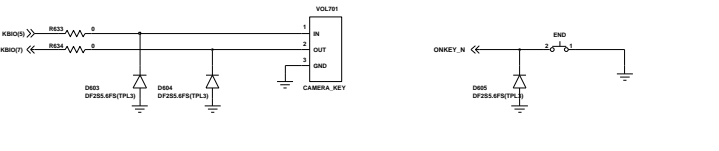
EARPHONE SWITCH



KEY LED

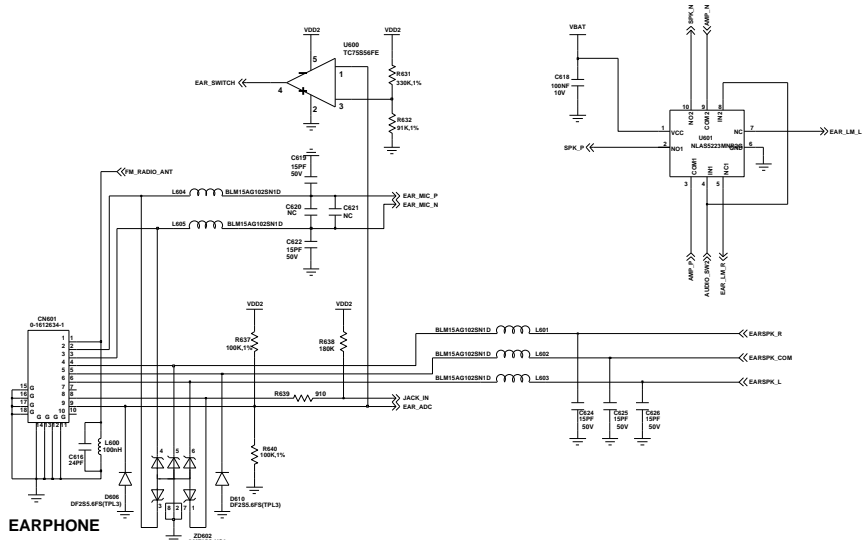


SIDE_KEY



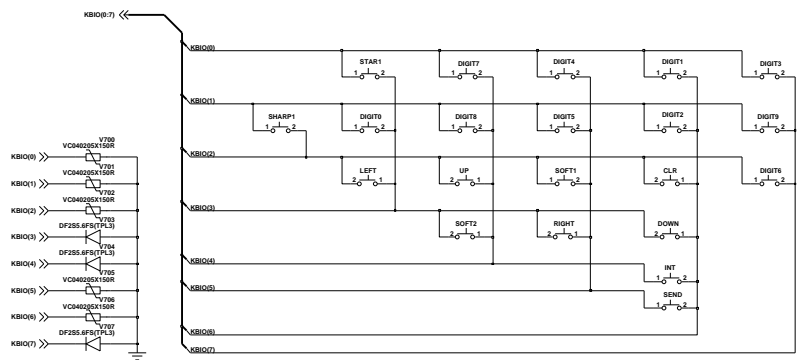
CAMERA_KEY

POWER KEY

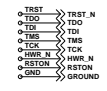


EARPHONE

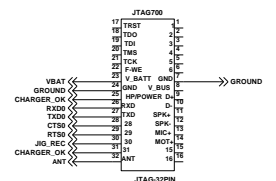
Engineer	SAMSUNG ELECTRONICS
Drawn By	TITLE
RAO CHK	SGH-X650
DOC CTRL CHK	(Audio & Accessory)
MFG ENGR CHK	



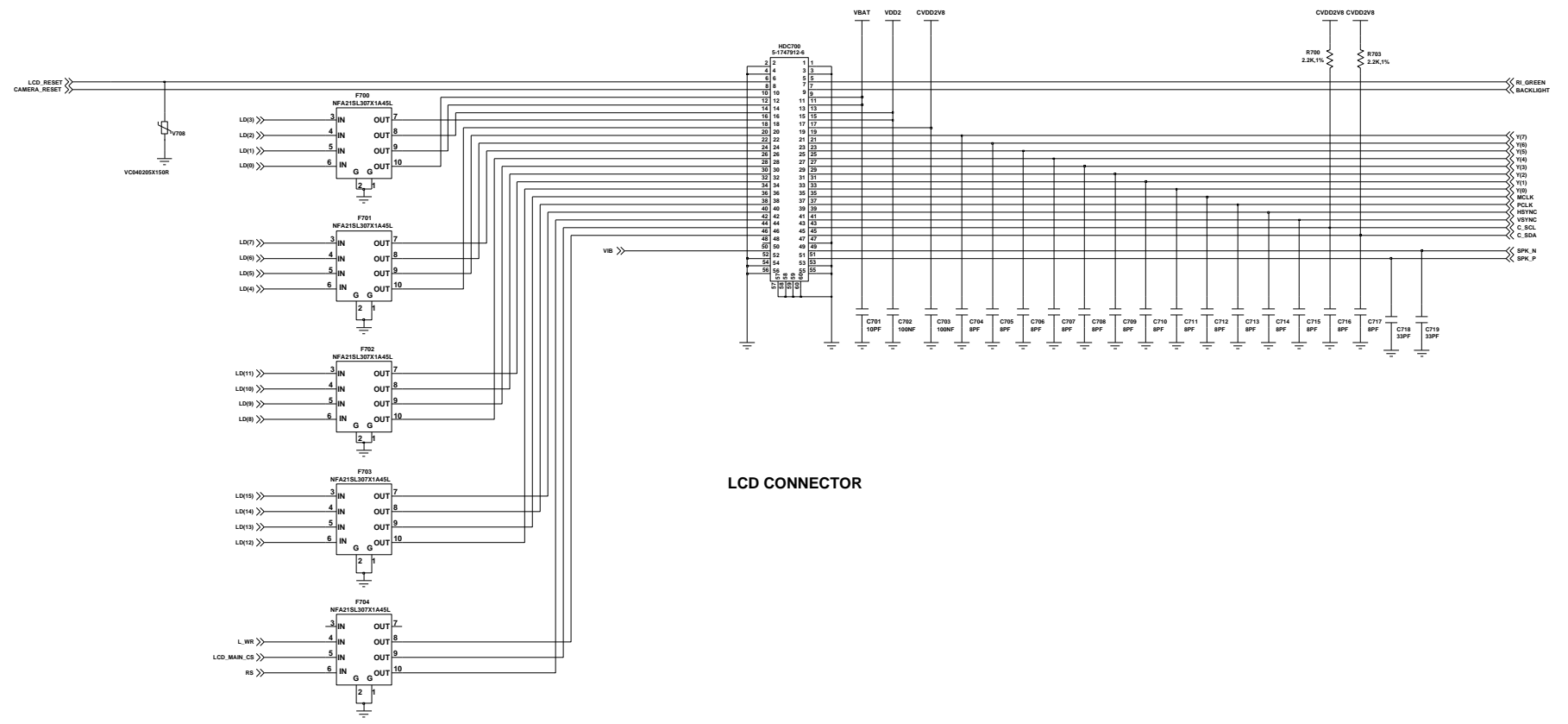
MAIN KEY MAP



JTAG



JTAG-2



LCD CONNECTOR

Engineer gsm	SAMSUNG ELECTRONICS	
Drawn By gsm	TITLE	
READ CHK	SGH-X650	
DOC CTRL CHK	(LCD & KEY Interface)	
MFG ENGR CHK	REV 0.6	Sheet 7 of 8

A

B

C

D

E

F

A

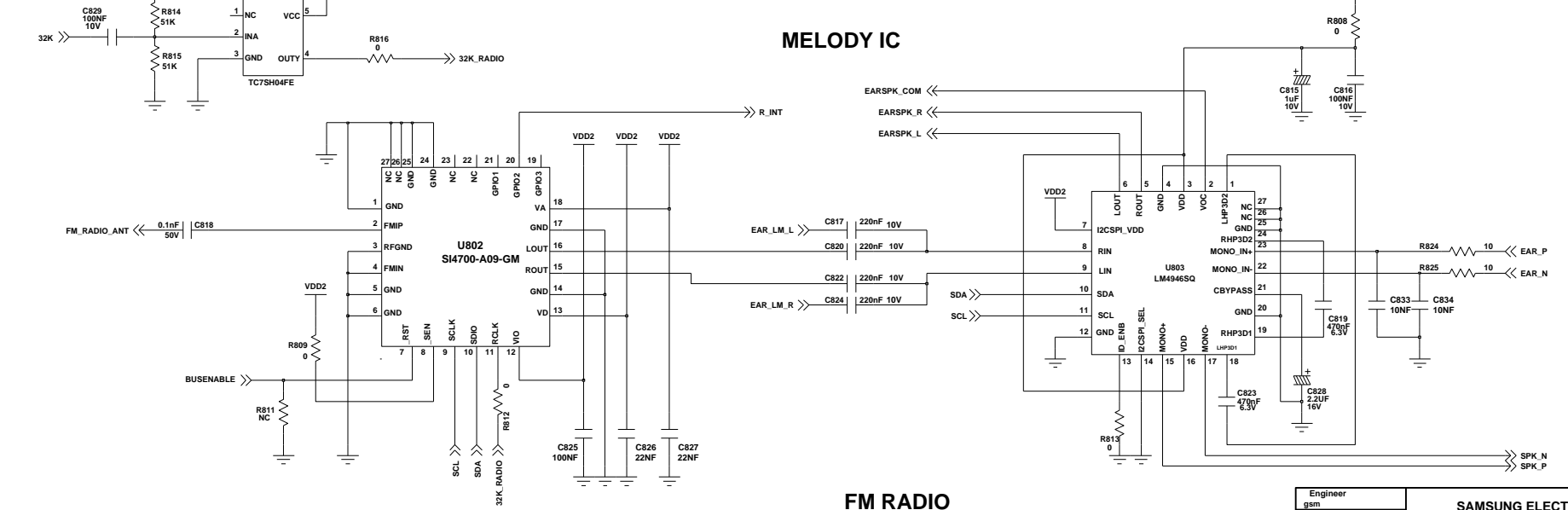
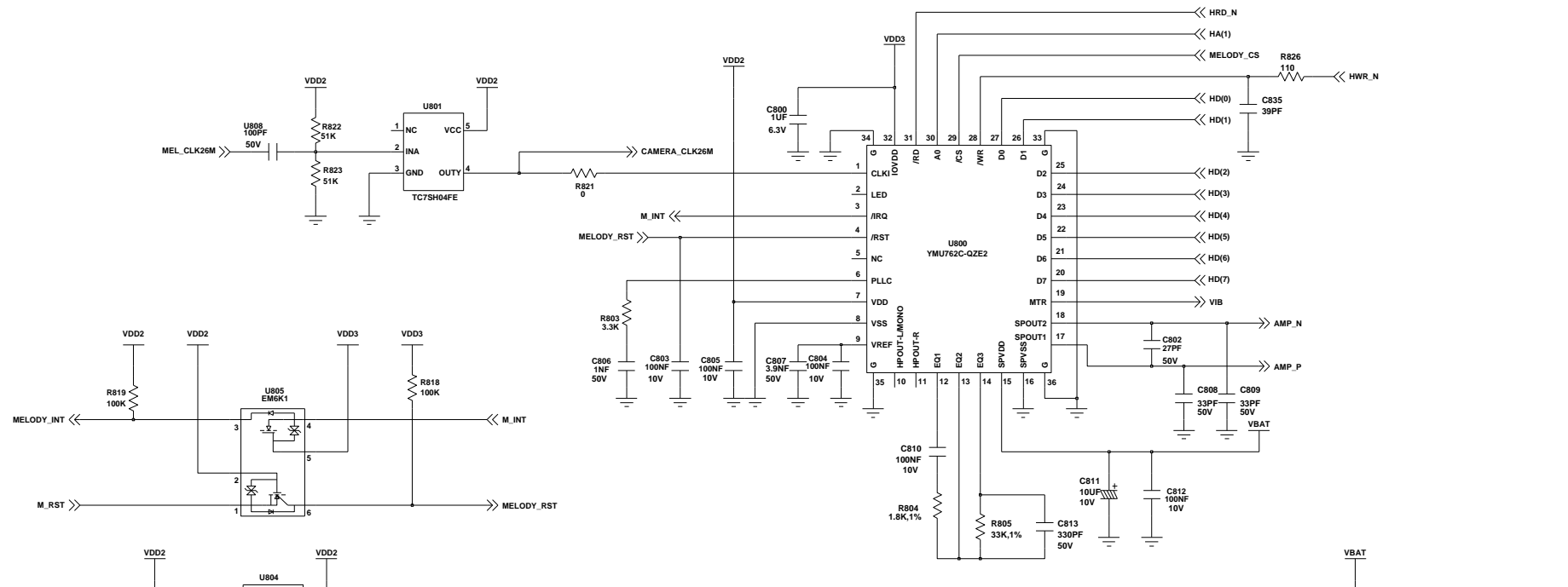
B

C

D

E

F



Engineer gsm	SAMSUNG ELECTRONICS	
Drawn by gsm		
R&D CHK	TITLE:	Size A3
DOC CTRL CHK	SGH-X650 (Melody & FM radio)	
MFG ENGR CHK		
Changed by gsm	Date Changed Friday, March 10, 2006	Time Changed
QA CHK	REV 0.6	Drawing Number
Sheet 8 of 8		