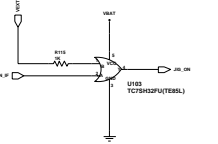
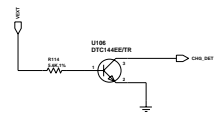
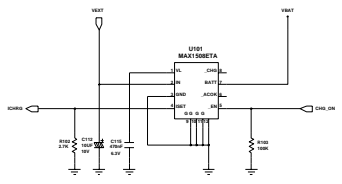
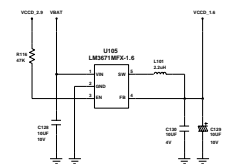


U102
G-CSP2610-YV10-LDT

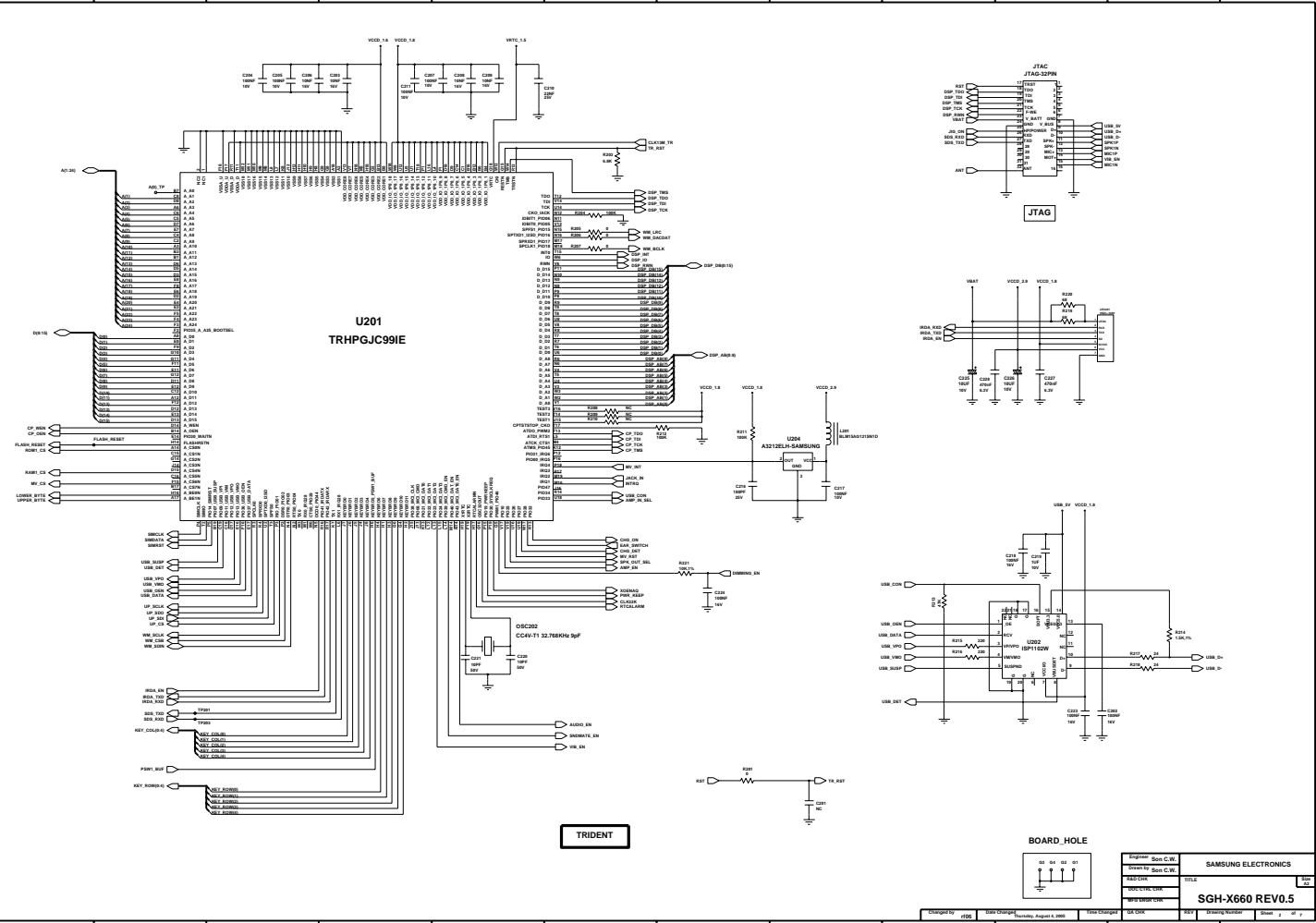


CHARGER



Engineer	SON.CM	SAMSUNG ELECTRONICS
Drawn by	SON.CM	
Check by		
Approved by		
Part Number		
Rev		
DA Code		
Printing Process		

SGH-X660 REV.0.5

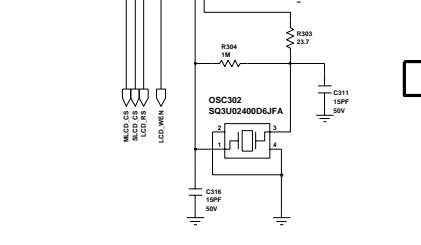
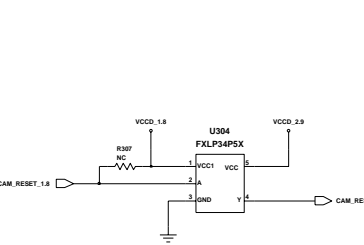
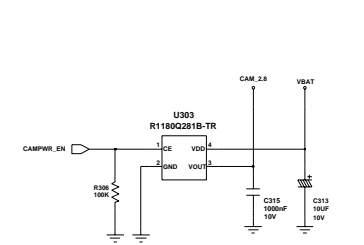
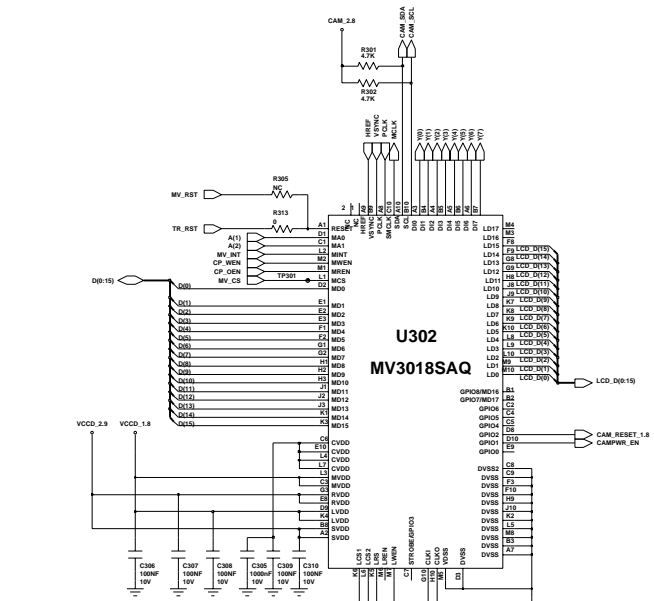
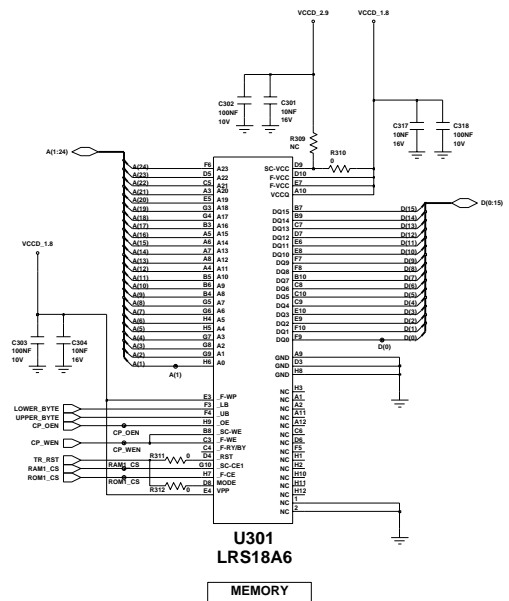


**U201
TRHPJC99IE**

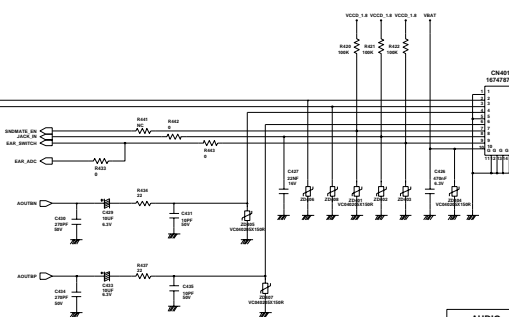
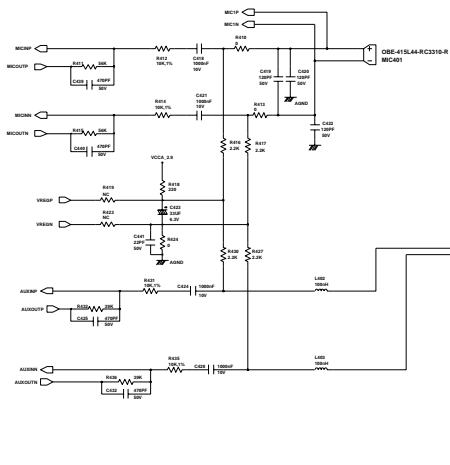
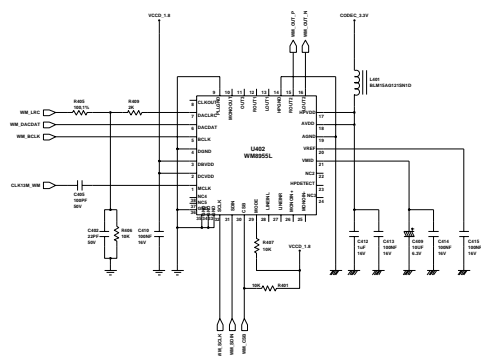
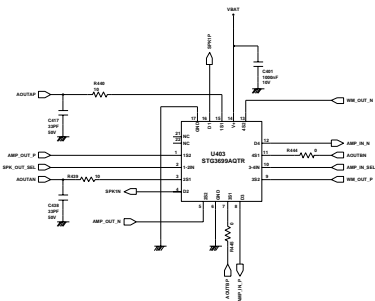
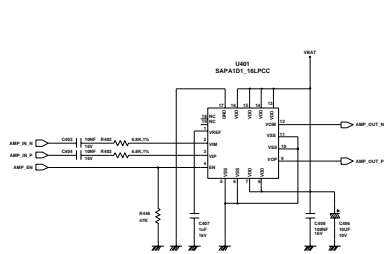
TRIDENT

BOARD HOLE

Engineer: Alan C.W.	SAMSUNG ELECTRONICS	
Drawn by: Alan C.W.	DATE:	REV:
Approved by:	DATE:	REV:
Checked by:	DATE:	REV:
SGH-X660 REV.0.5		
Design No:	Doc Version:	Doc Category:
Doc No:	Doc Date:	Doc Rev:
Drawing Status: <input type="checkbox"/> New <input type="checkbox"/> Modified <input type="checkbox"/> Deleted		Sheet: 1 of 1

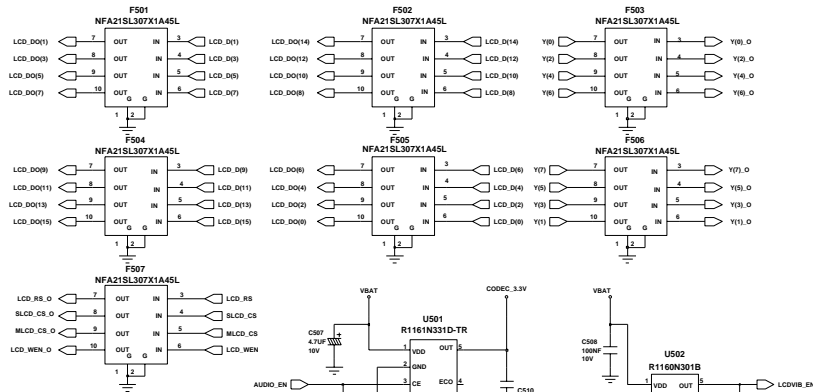


Engineer	Son C.W.	SAMSUNG ELECTRONICS TITLE: _____ SGH-X660 REV.0.5	Site
Drawn by	Son C.W.		AT
R&D CHK			
DSC CTRL CHK			
MFG INSP CHK			



AUDIO

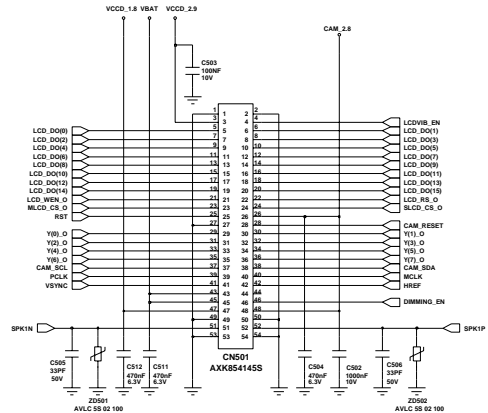
Supplier	Sam C.W.	SAMSUNG ELECTRONICS
Order No.	Sam C.W.	
Part No.		
Specification		
Manufacturer		SGH-X660 REV.0.5
DA Code		
REV	ISSUING VERSION	ST. 4. 07



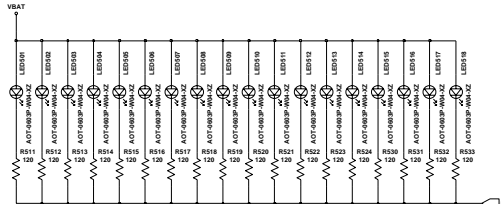
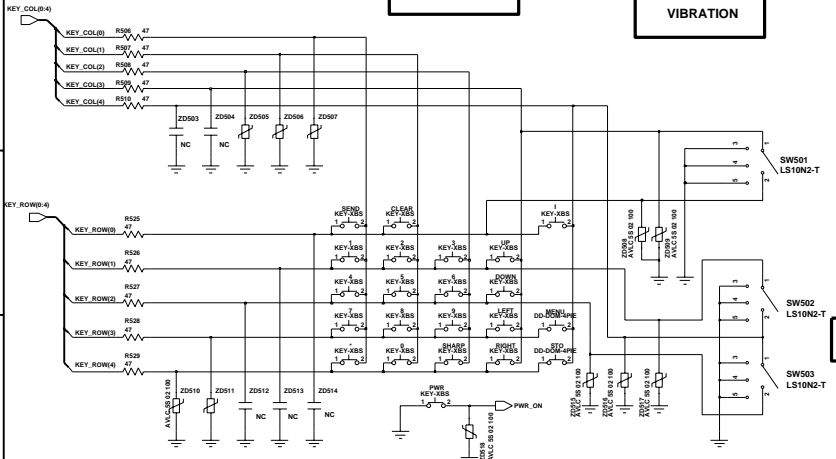
EMI FILTER

AUDIO POWER

VIBRATION



LCD CONNECTOR



BACK LIGHT LED

KEY

Engineer	Son C.W.	SAMSUNG ELECTRONICS TITLE: _____ Size A1 SGH-X660 REV.0.5
Drawn by	Son C.W.	
R&D CHK	Son C.W.	
DOC CTRL CHK		
MFG ENGR CHK		

A

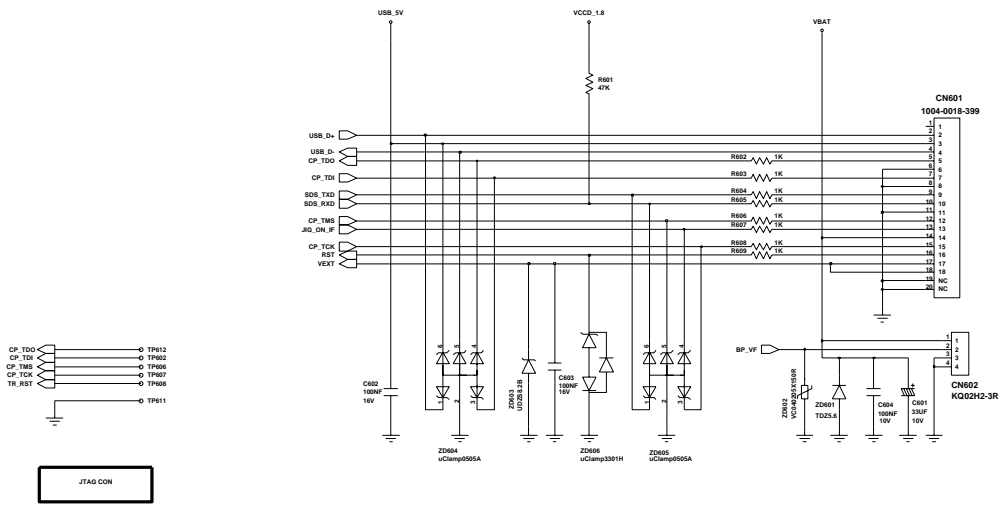
B

C

D

E

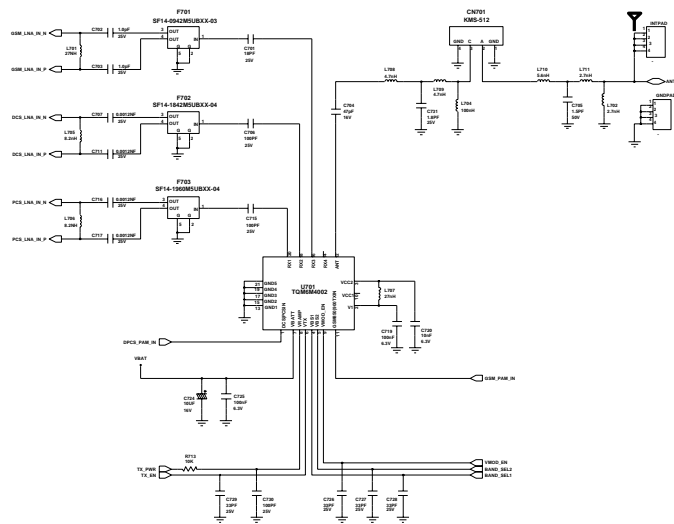
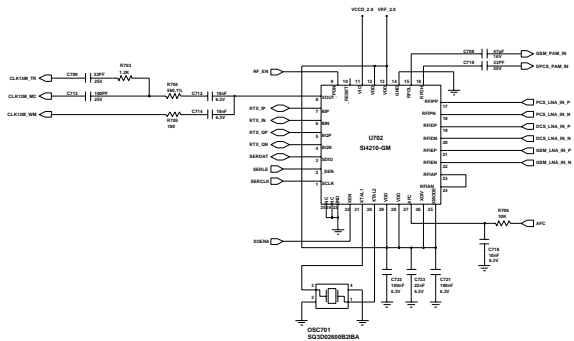
F



JTAG CON

I/F CONNECTOR

Engineer	Sen C.W.	SAMSUNG ELECTRONICS TITLE: Size A3 SGH-X660 REV0.5
Drawn by	Sen C.W.	
RAD CHK		
DOC CTRL CHK		
WFS ENDR CHK		



RF PART

