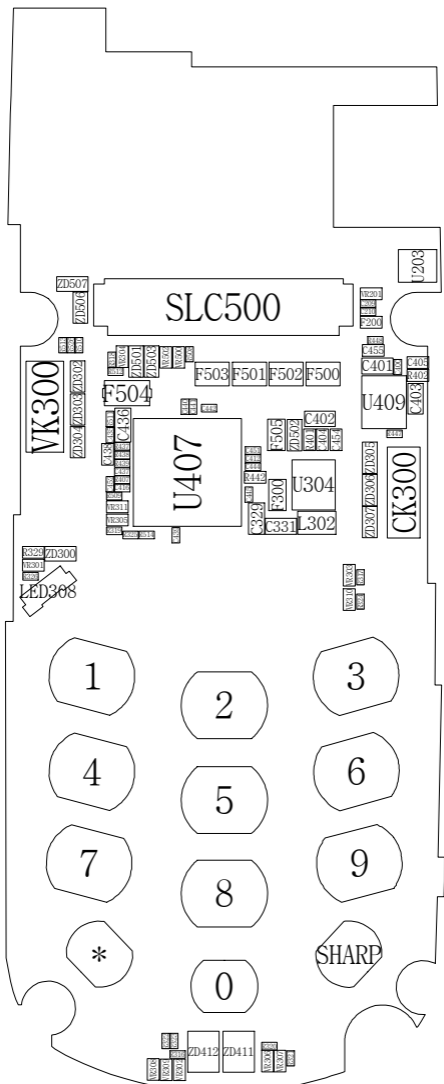
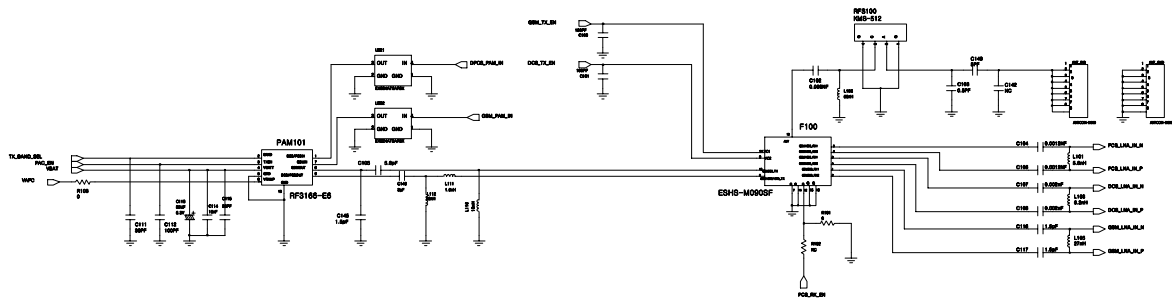


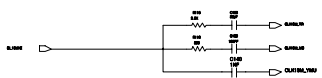
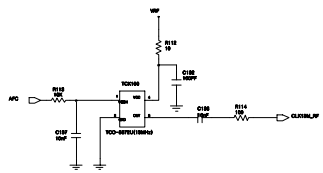
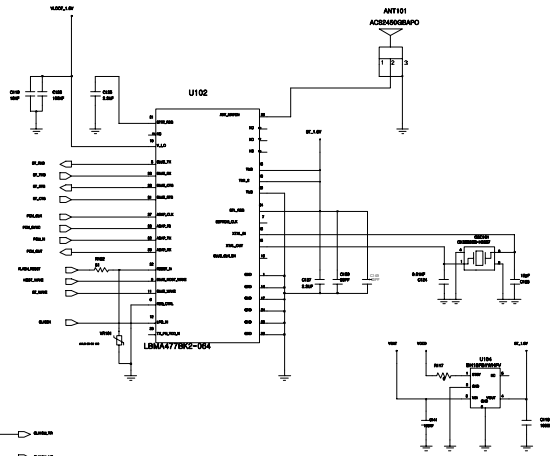
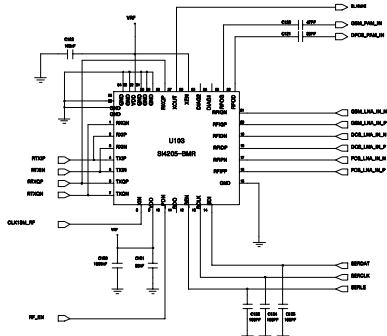
CN501





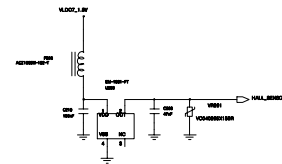
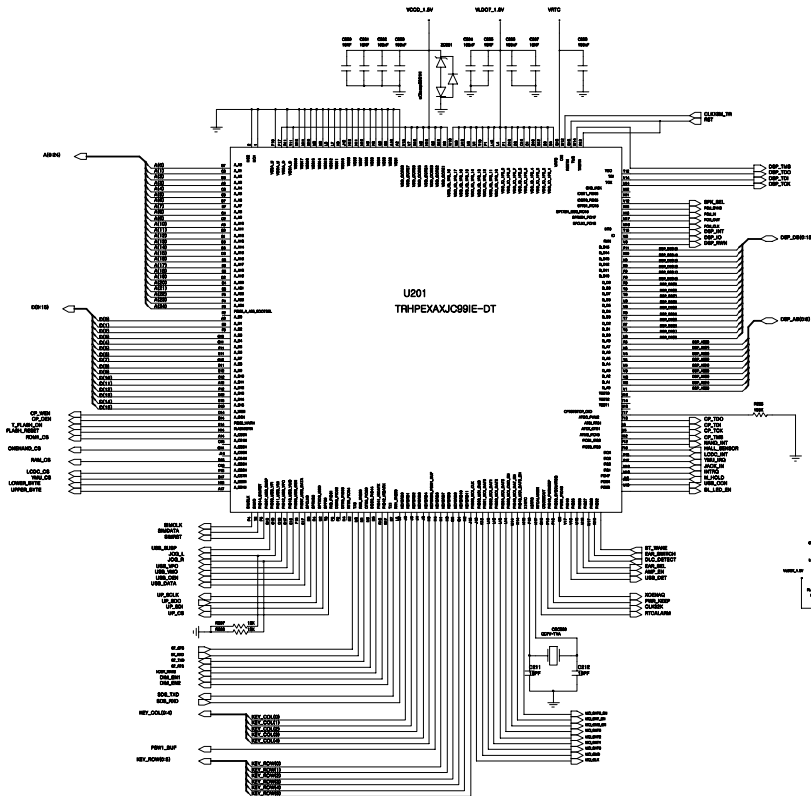


RF PART



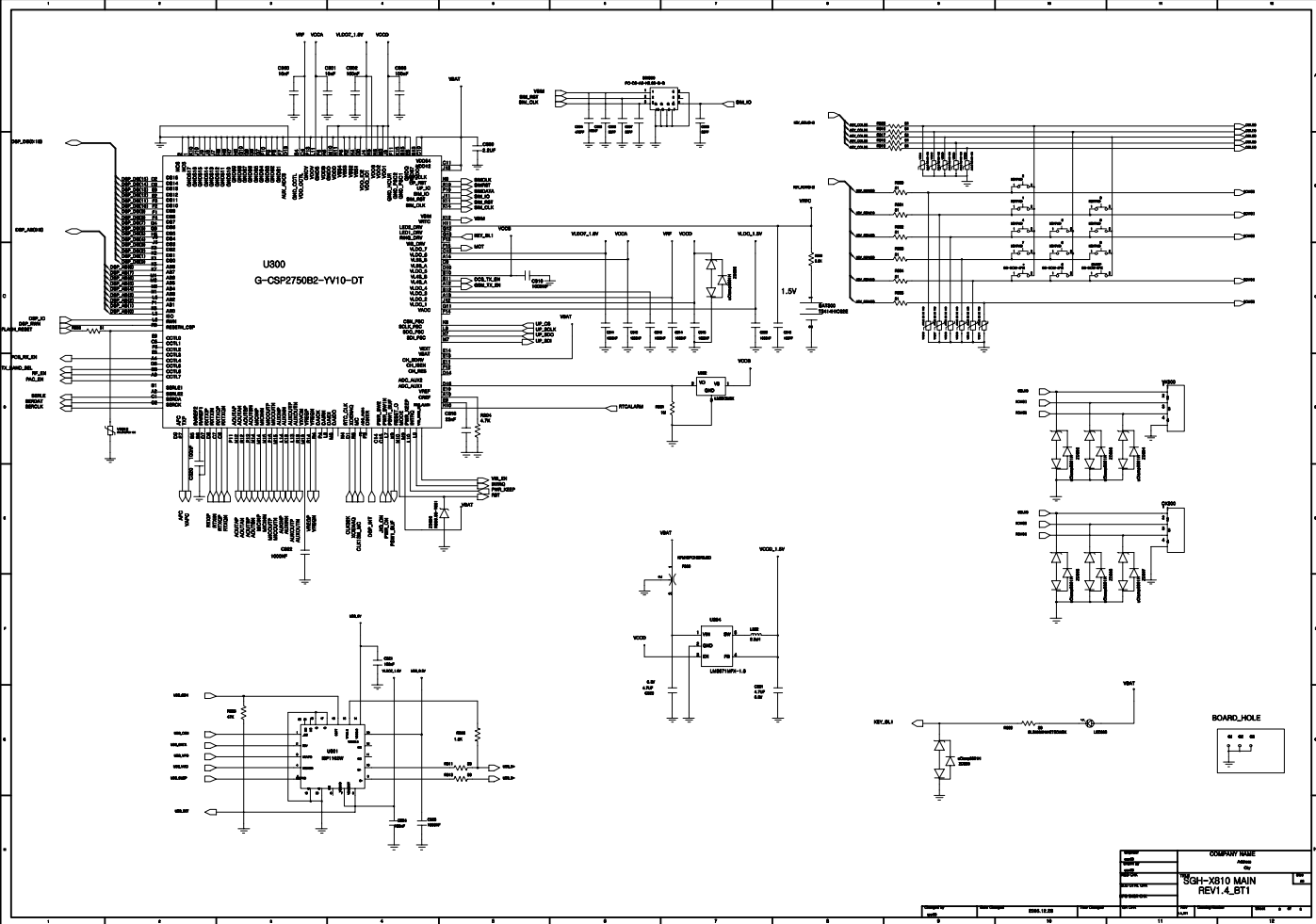
BLUETOOTH\_MODULE

DATE	COMPANY NAME
DESIGNER	PROJECT
CHECKER	DATE
APPROVER	SCALE
SGH-XB10 MAIN REV1.4_BT1	



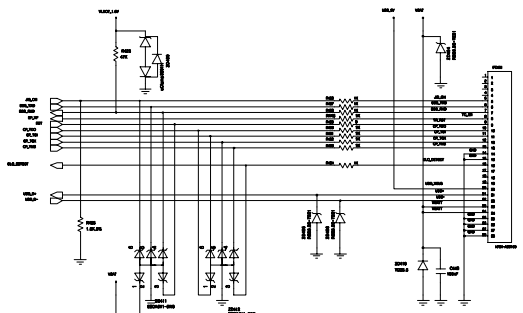
NO.	DESCRIPTION	DATE	BY	CHKD
1	DESIGN			
2	CHECK			
3	APPROVE			
4	ASSEMBLY			
5	TEST			
6	REWORK			
7	REVISION			
8	REVISION			
9	REVISION			
10	REVISION			
11	REVISION			
12	REVISION			
13	REVISION			
14	REVISION			
15	REVISION			

COMPANY NAME  
SCH-X810 MAIN  
REV1\_A\_BT1

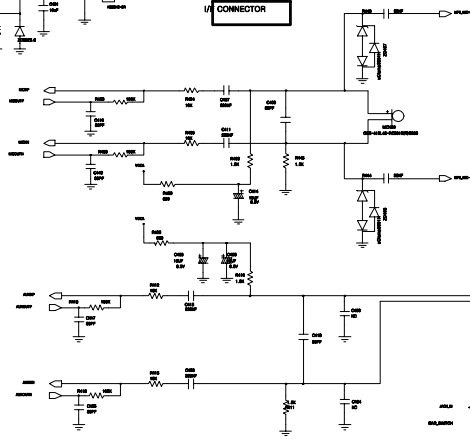


COPYRIGHT	
DATE:	2006.12.20
DESIGNER:	WANG
CHECKER:	WANG
APPROVER:	WANG
DATE:	2006.12.20

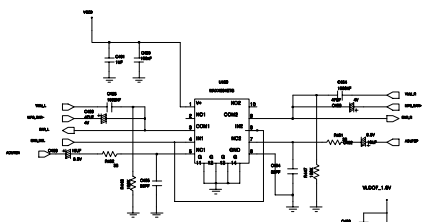
COMPTON NAME	
NAME:	SGH-XS10 MAIN
REV:	REV1.4.BT1
DATE:	2006.12.20



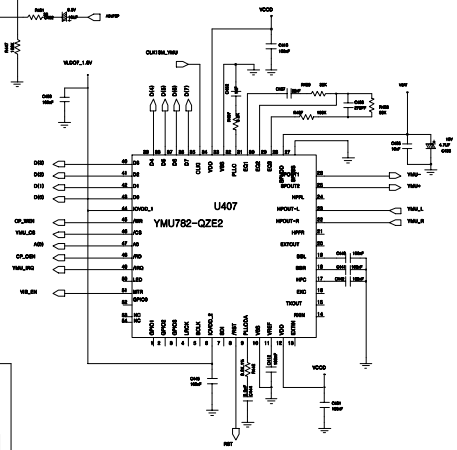
I/O CONNECTOR



AUDIO

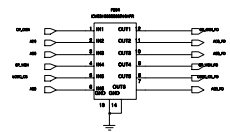
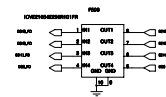
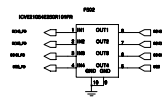
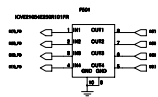
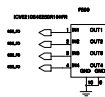


AUDIO SW

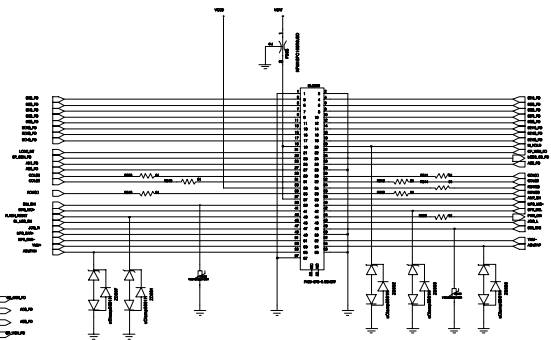


EAP400

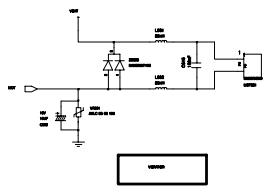
REVISION		DATE		DRAWN BY		CHECKED BY		APPROVED BY	
1									
<b>SGH-X810 MAIN</b> REV1.4_B11									



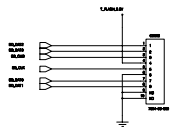
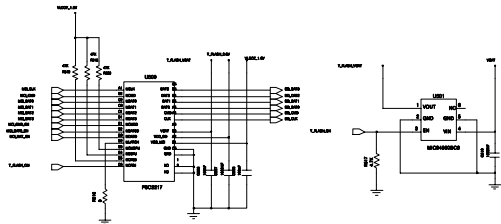
74138



J1

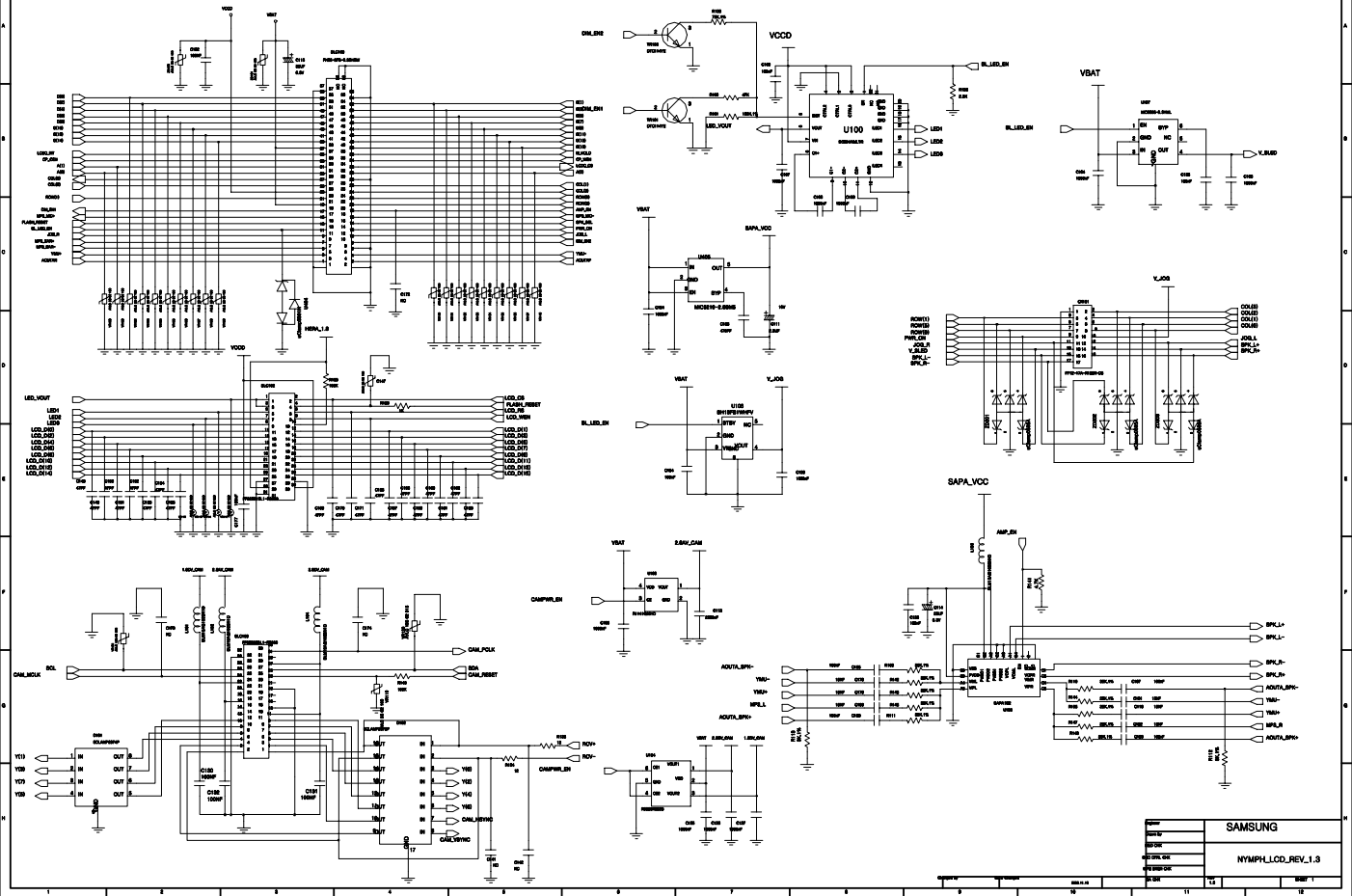


7805

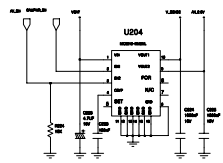
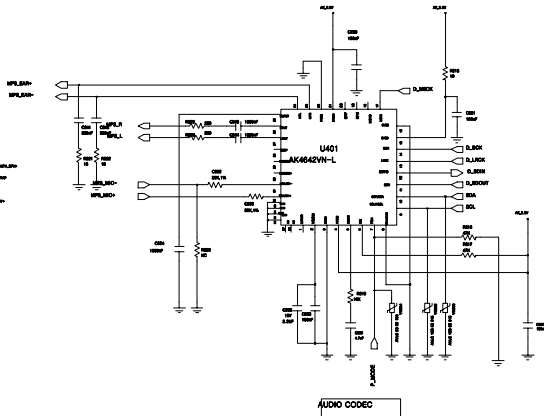
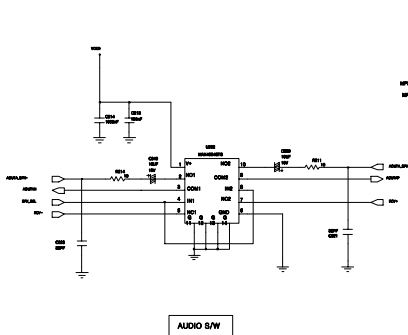
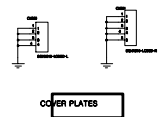
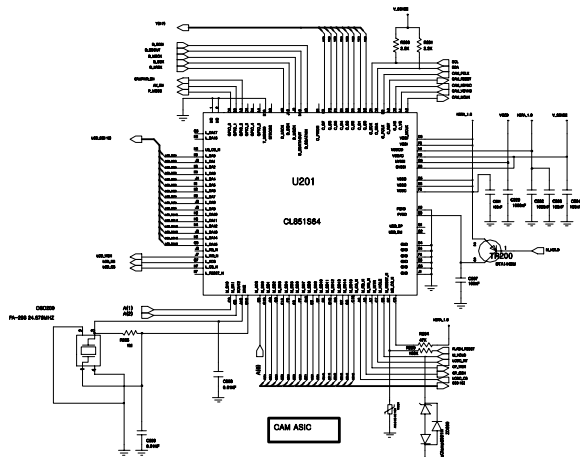
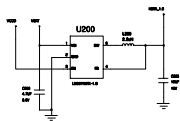


REV	DATE	BY	CHKD	APPD
1				
SUNGLI ELECTRONICS				
SGH-Y810 MAIN				
REV1.4.BT1				





DESIGN	SAMSUNG
DATE	
DESIGNER	
REVISION	NYPH_LCD_REV_1.3
DATE	



REV	DATE	COMPANY NAME
1	11/11/09	NYMPH LLC
2	01/12/10	NYMPH LLC
3	01/12/10	NYMPH LLC
4	01/12/10	NYMPH LLC
5	01/12/10	NYMPH LLC
6	01/12/10	NYMPH LLC
7	01/12/10	NYMPH LLC
8	01/12/10	NYMPH LLC
9	01/12/10	NYMPH LLC
10	01/12/10	NYMPH LLC
11	01/12/10	NYMPH LLC
12	01/12/10	NYMPH LLC