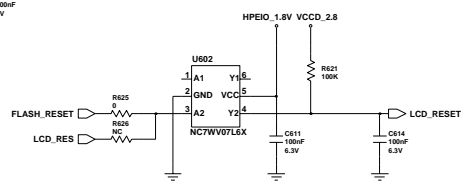
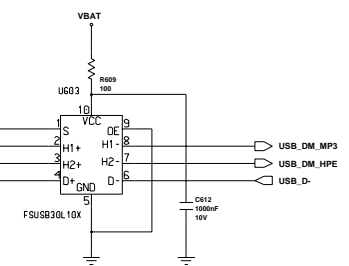
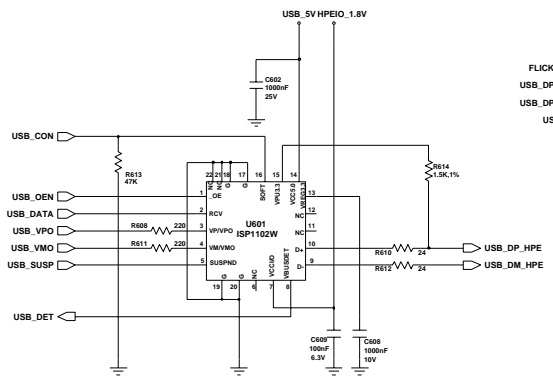
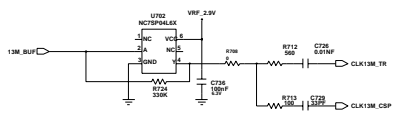
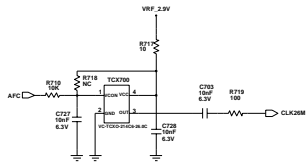
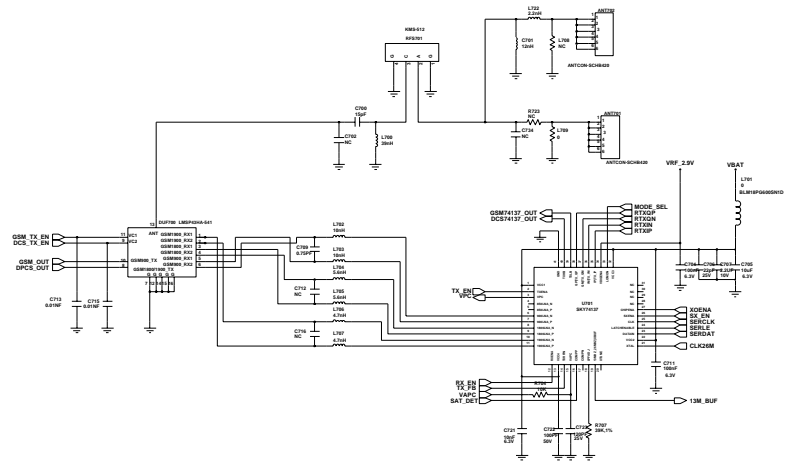
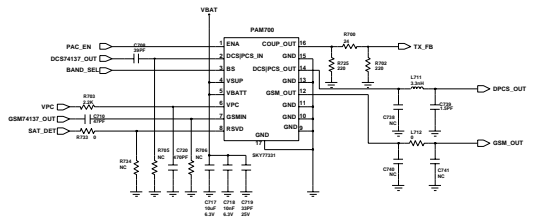


**I/F CONNECTOR**



Engineer	SAMSUNG ELECTRONICS	
Drawn by	TITLE: <span style="float: right;">Size</span>	
R&D CHK	DGC CTRL CHK	
MFG ENGR CHK	SGH-X830_rev_2.1	



Engineer		SAMSUNG ELECTRONICS
Drawn by		DATE
Checked by		DATE
Approved by		DATE
		SGH-X830_rev_2.1





