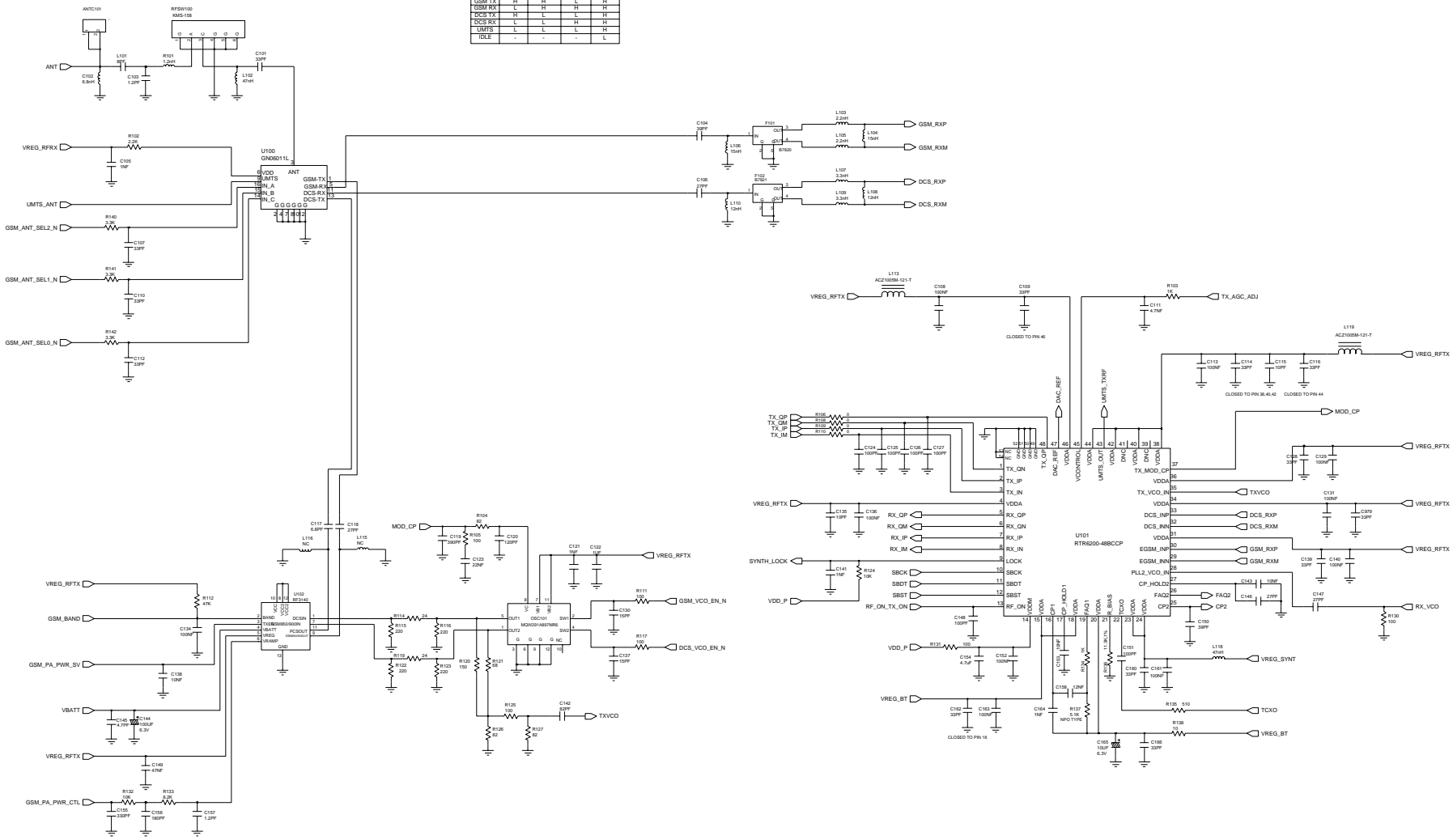
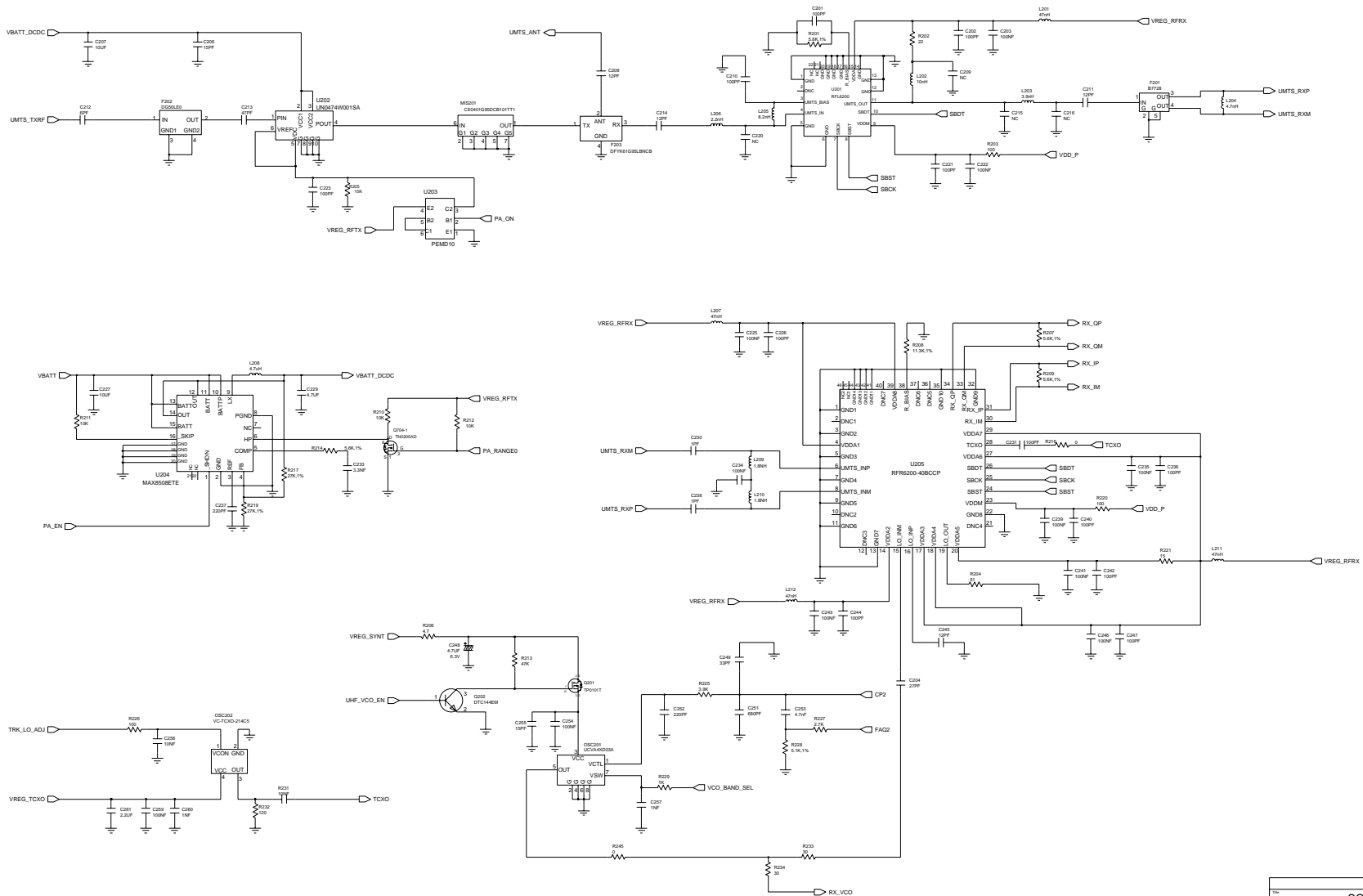
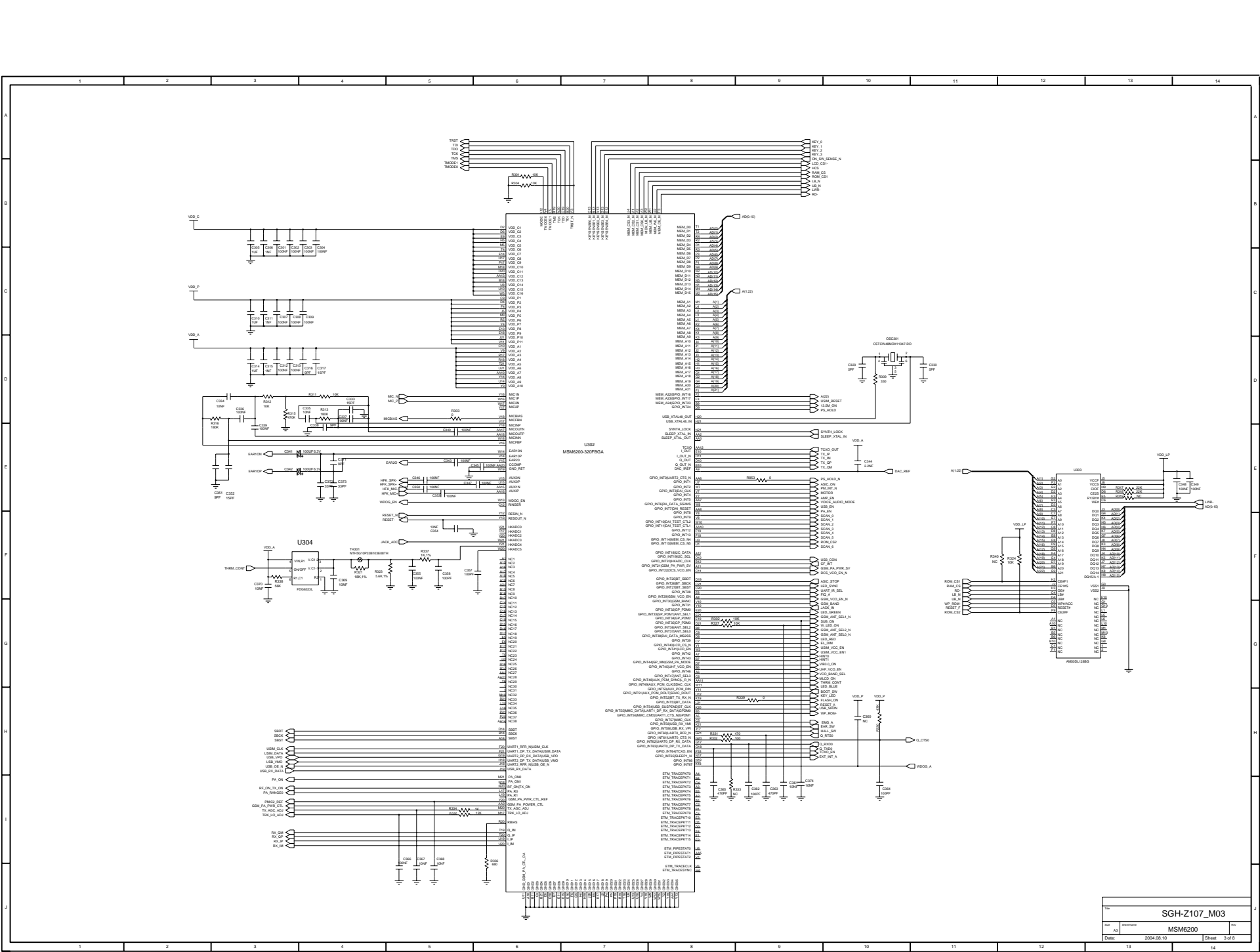
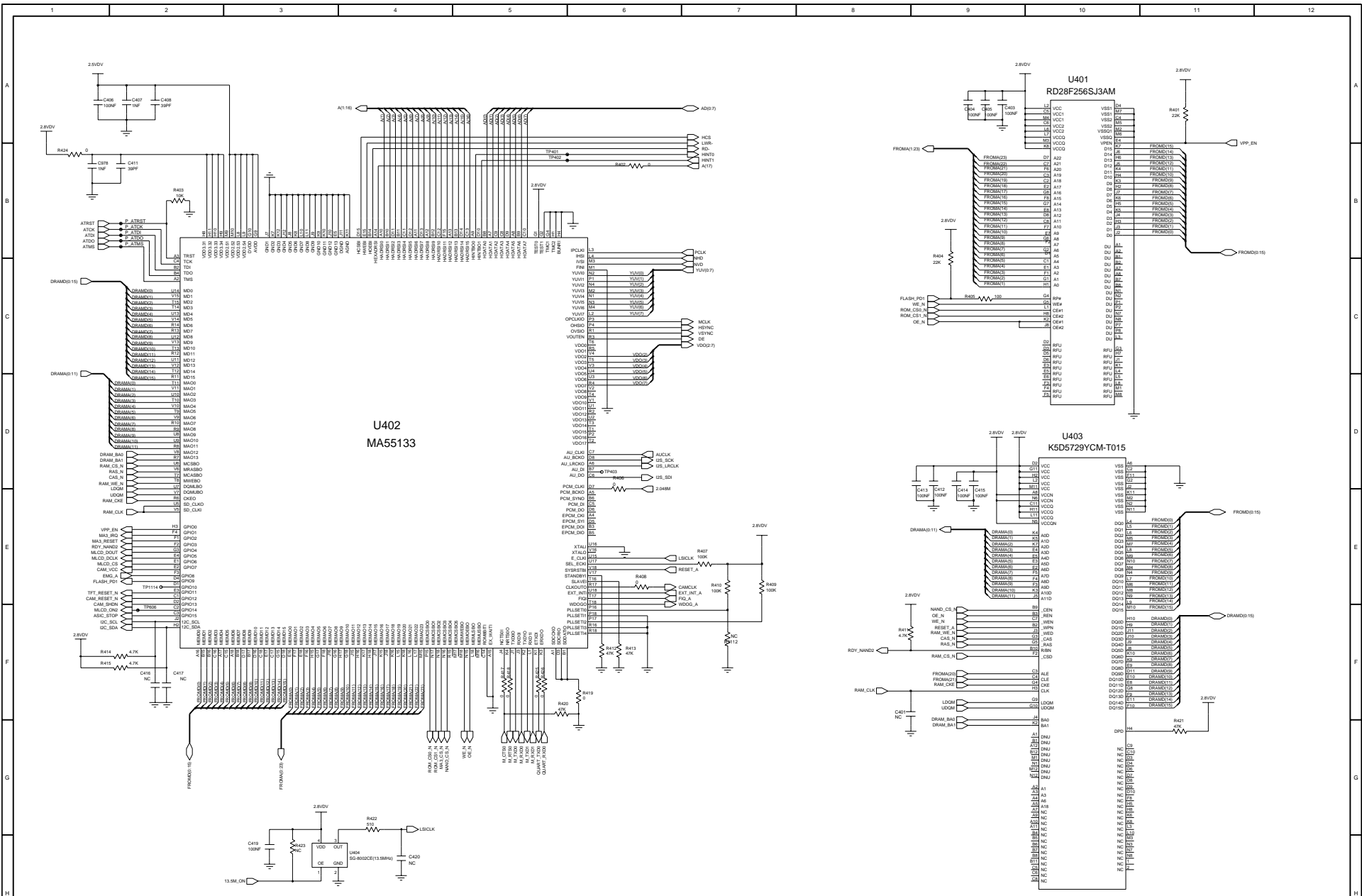


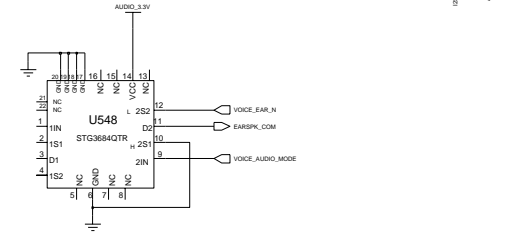
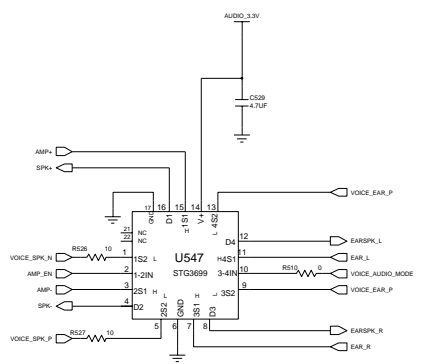
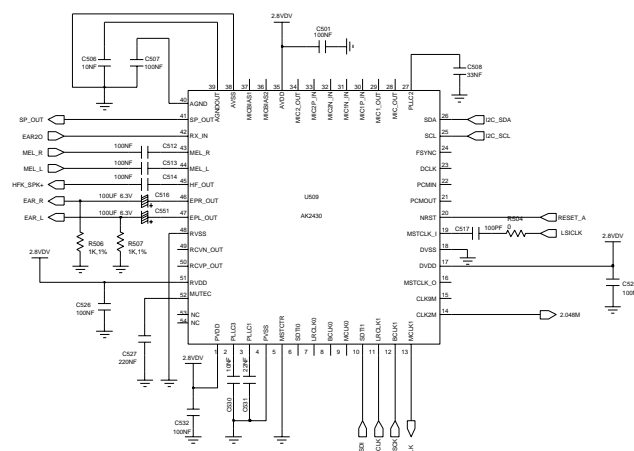
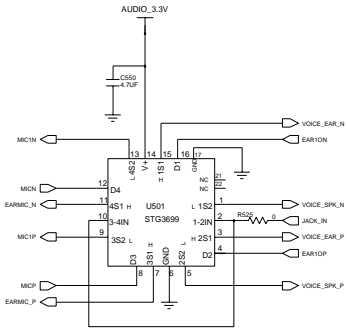
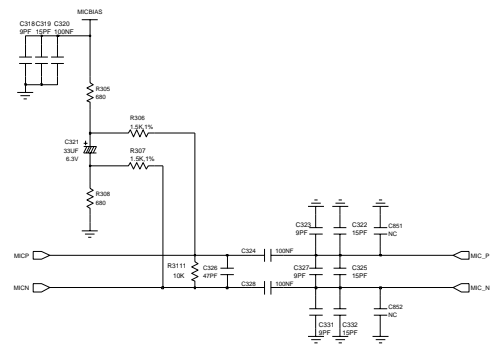
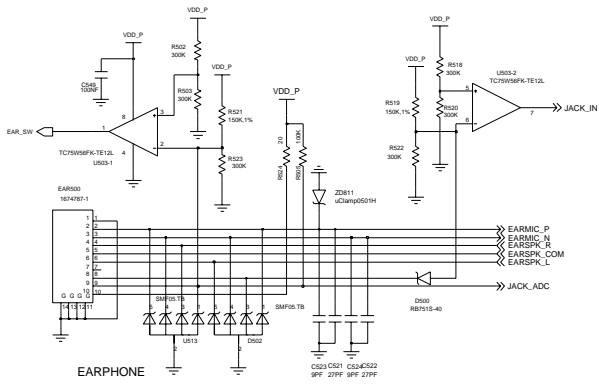
	IN_A	IN_B	IN_C	VDD
GSM TX	L	H	H	H
GSM RX	L	H	L	H
DCS TX	L	L	L	H
DCS RX	L	L	H	H
UMTS	L	L	L	H
IDLE	-	-	-	L

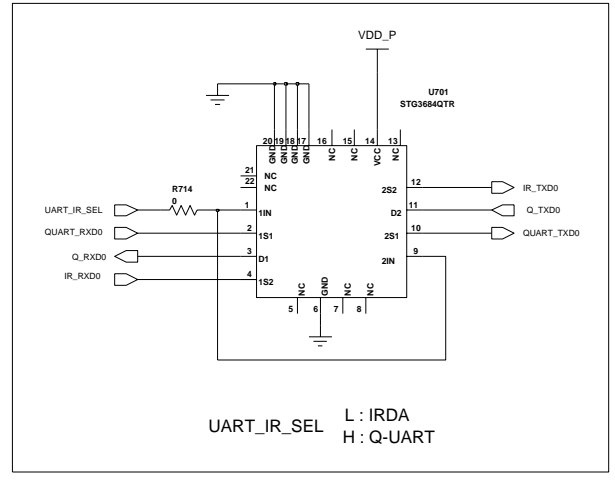
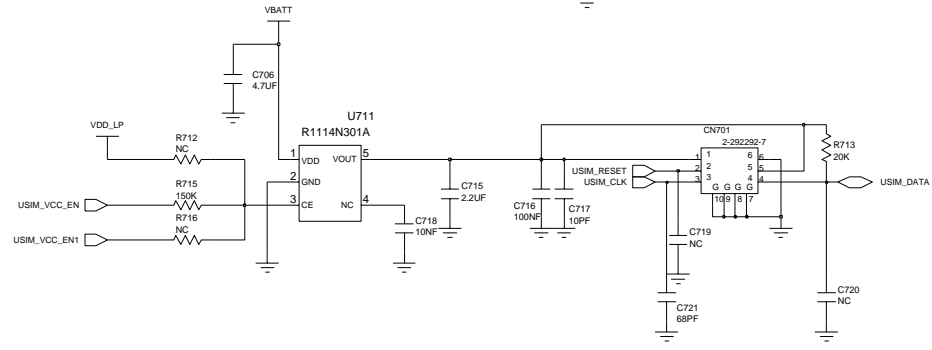
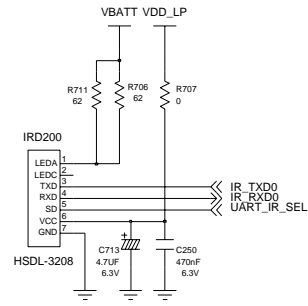
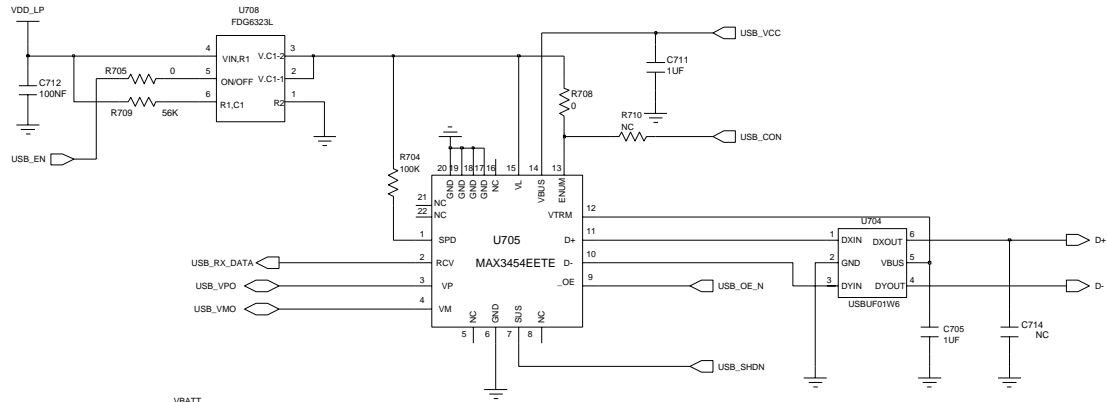




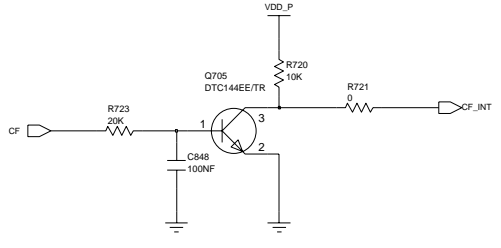
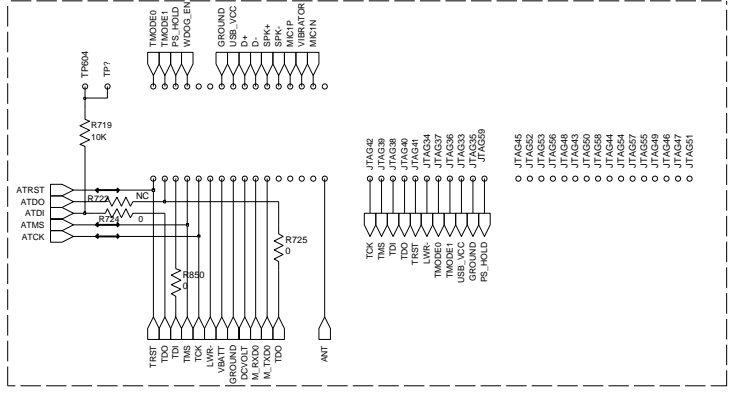








UART_IR_SEL L : IRDA
H : Q-UART



Engineer	SGH-Z107_M03	
Drawn by		
R&D CHK	TITLE:	Size A3
DOC CTRL CHK	UART , USB , USIM J-TAG	
MFG ENGR CHK		
Changed by	Date Changed	2004.08.10
QA CHK	Time Changed	
REV	Drawing Number	Sheet 7 of 8

