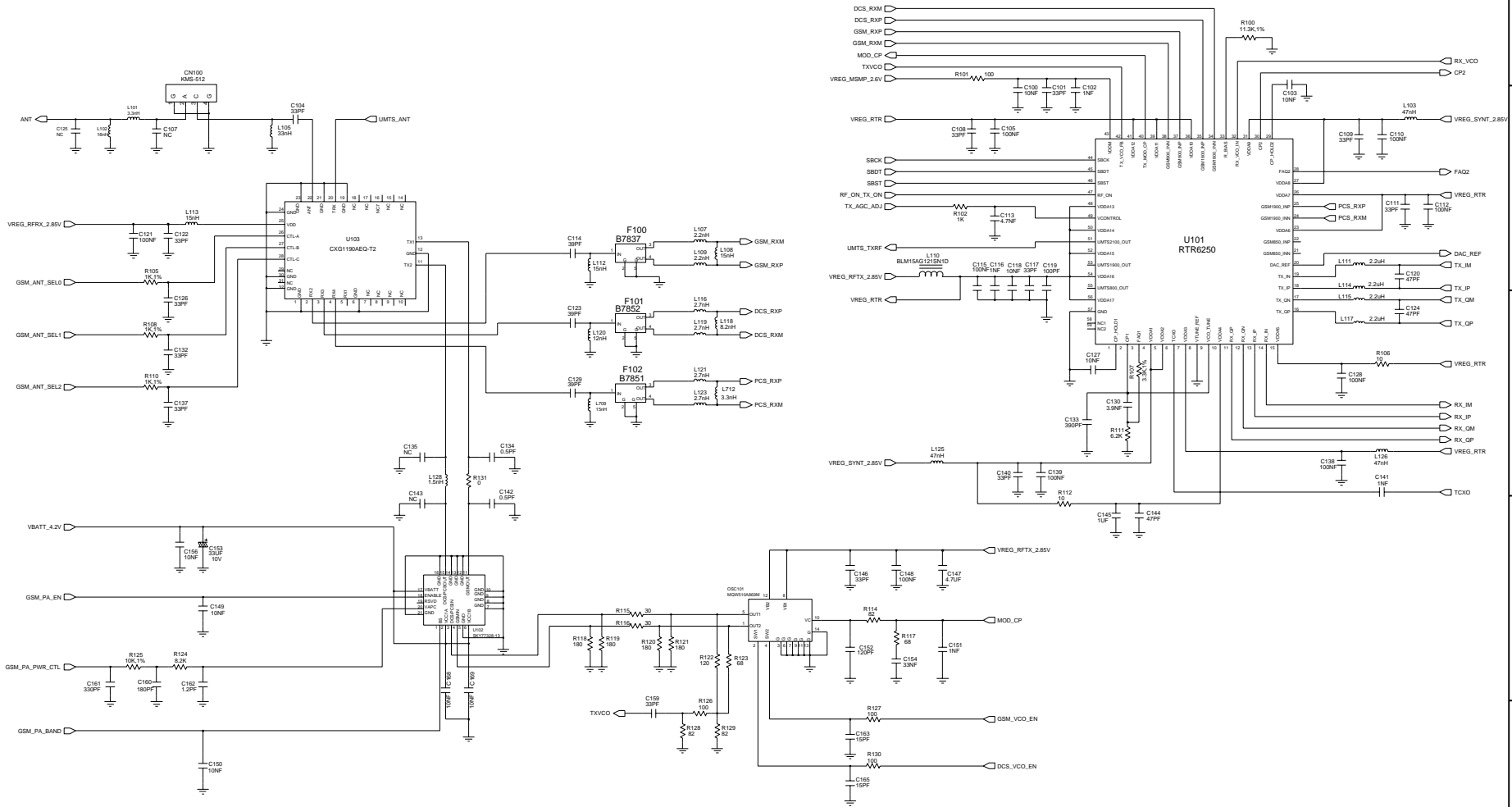
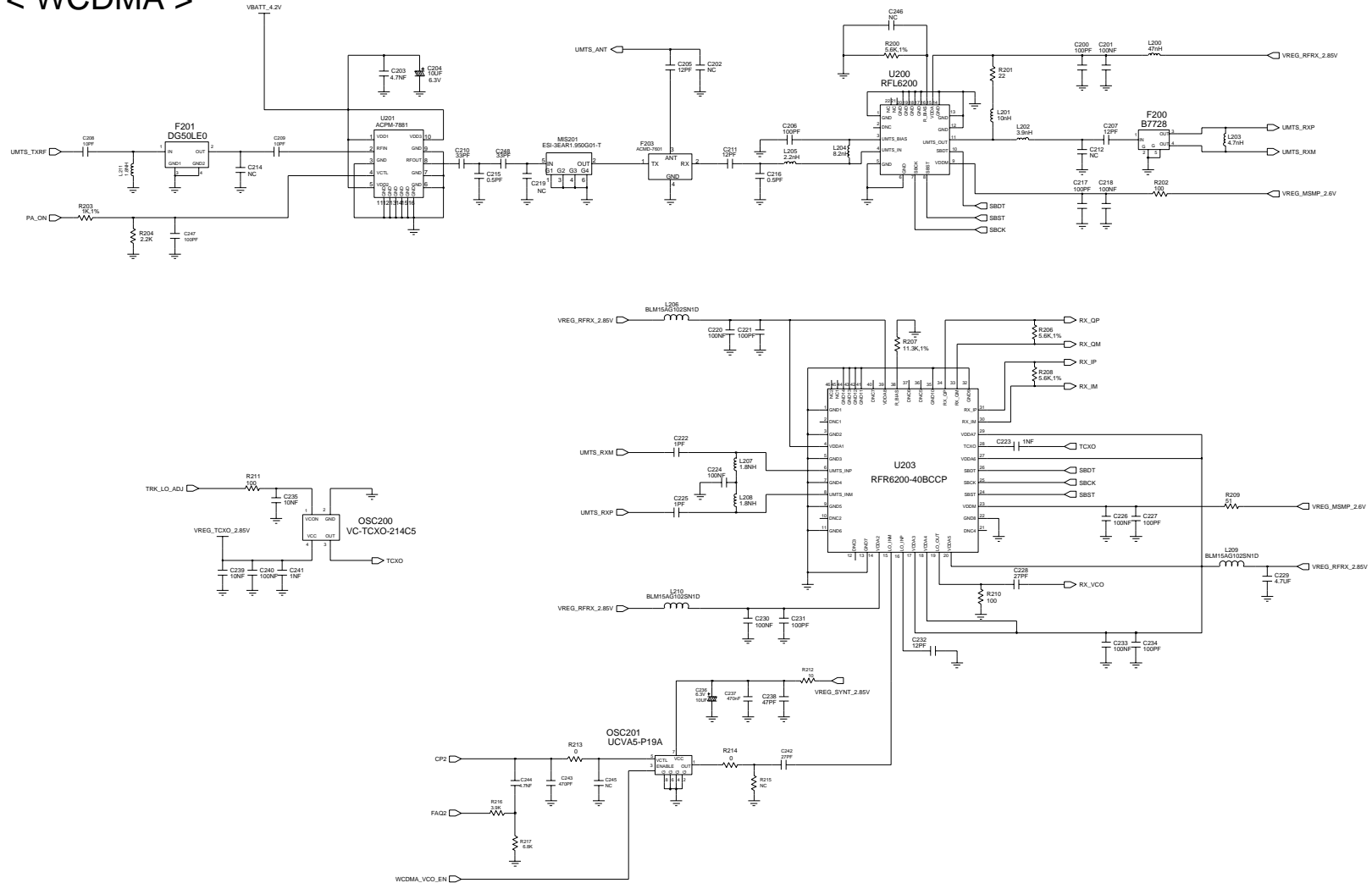


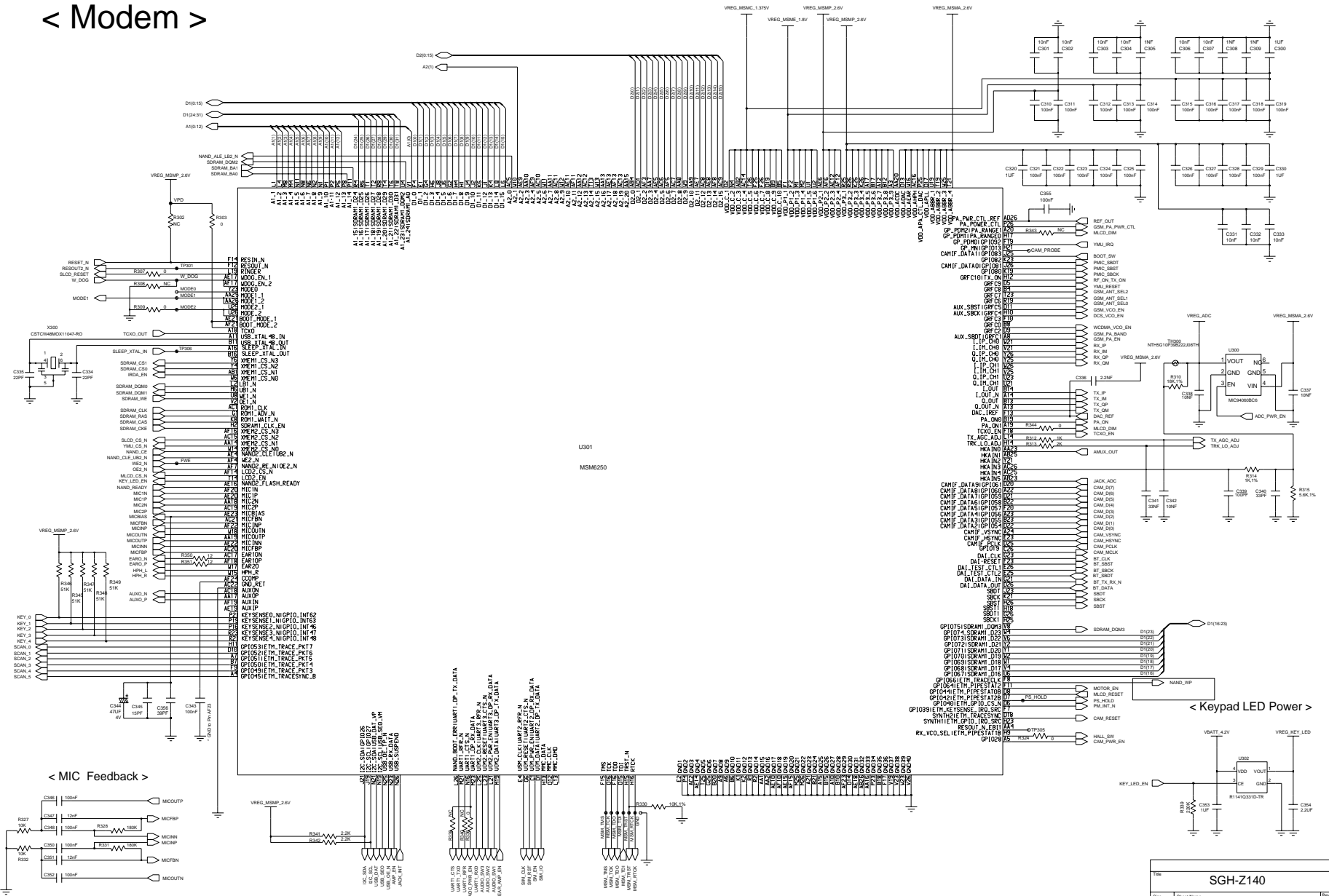
< GSM >



< WCDMA >

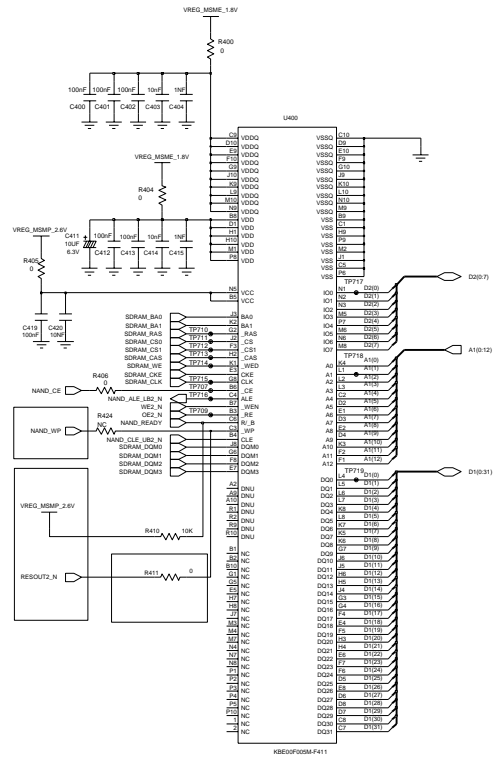


< Modem >

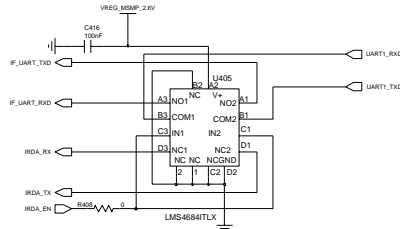
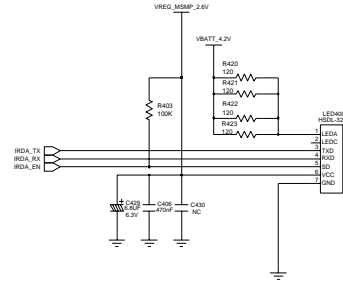


< Keypad LED Power >

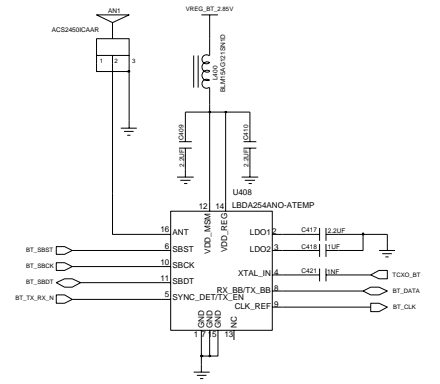
< Memory >



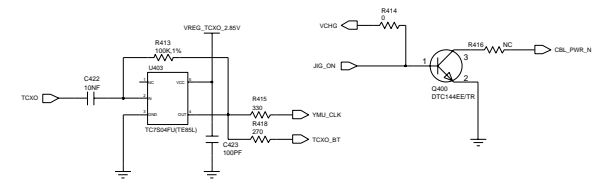
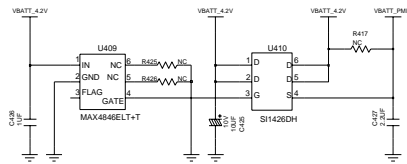
< IrDA >



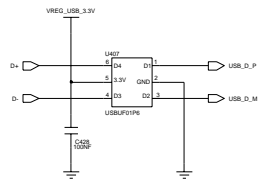
< Bluetooth >



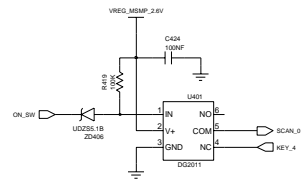
** Placed between IF-conn/Batt-conn and PMIC



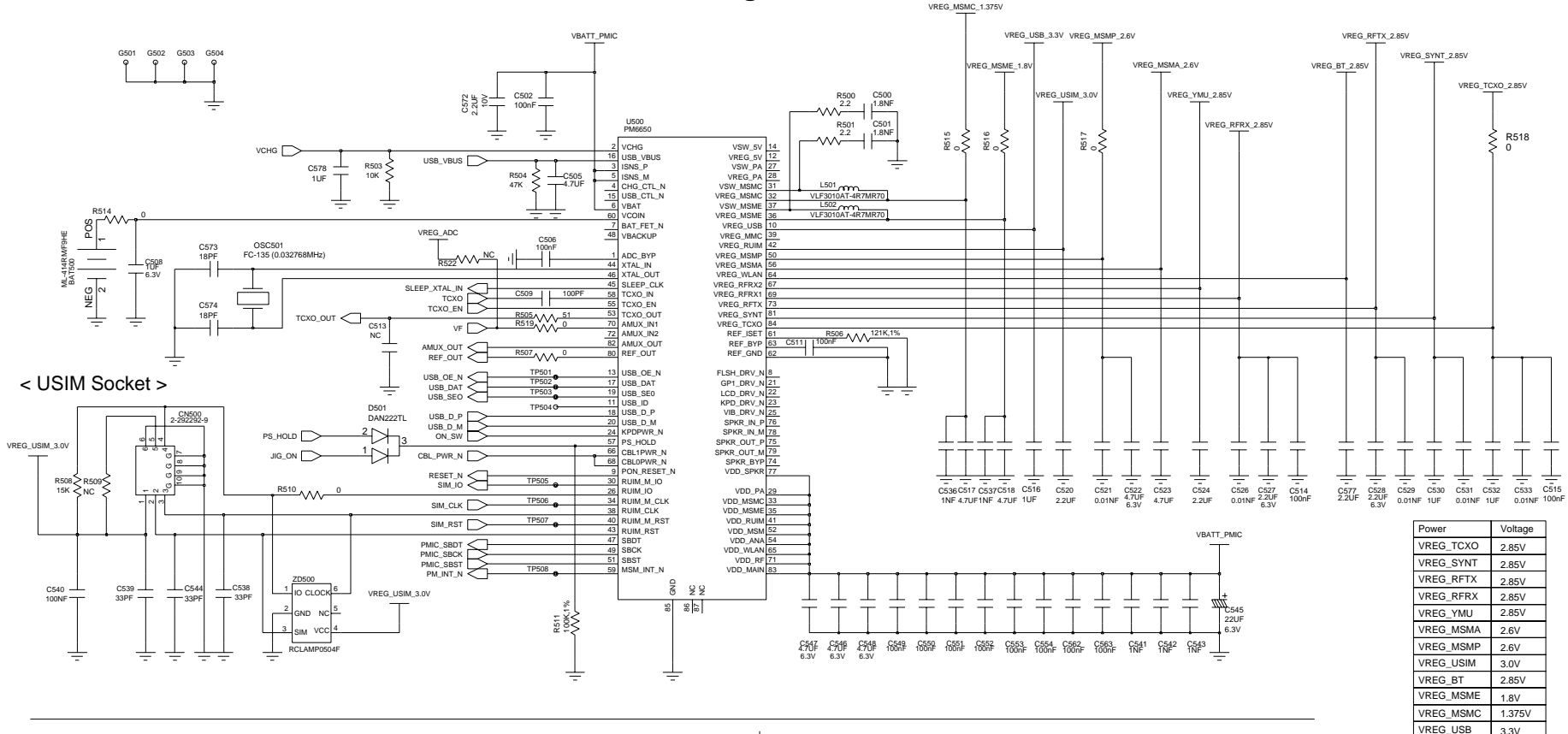
< USB Filter >



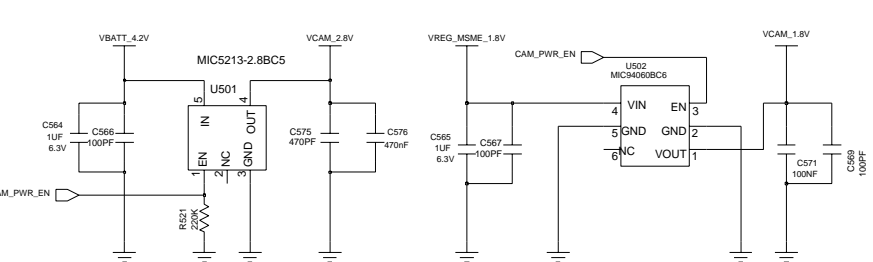
< END key >



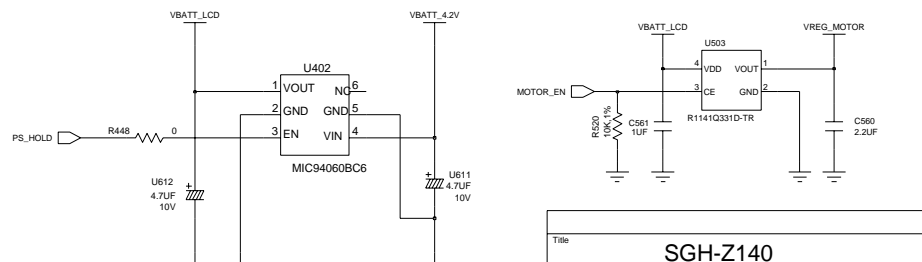
< Power Management IC >



< Camera Power >

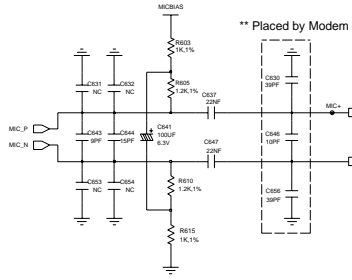


< Motor Power >



< Audio >

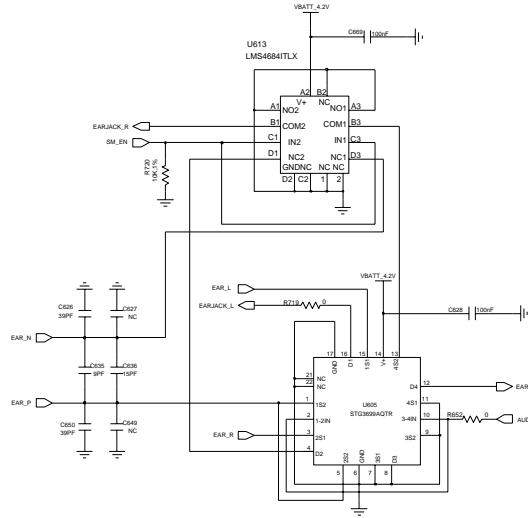
< Phone Mic Path >



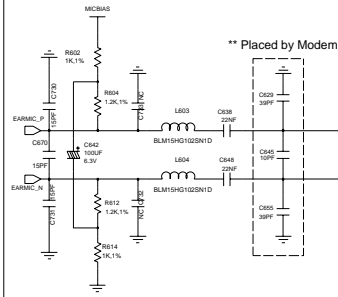
** Audio Switch Control

	H	L
AUDIO_SW1	Audio	Melody
AUDIO_SW2	Receiver	Speaker
AUDIO_SW3	Audio	Voice

< Audio Switch 3 >

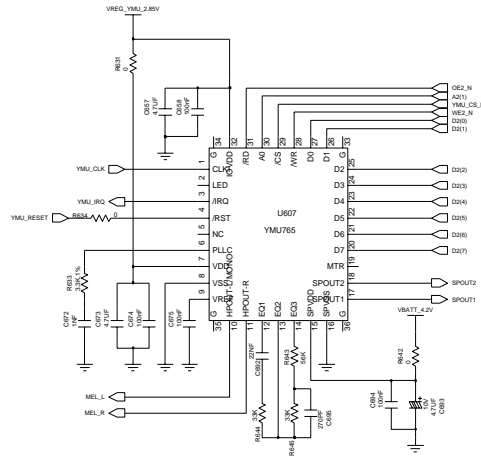


< Earphone Mic Path >



** Placed by Modem

< Melody IC >

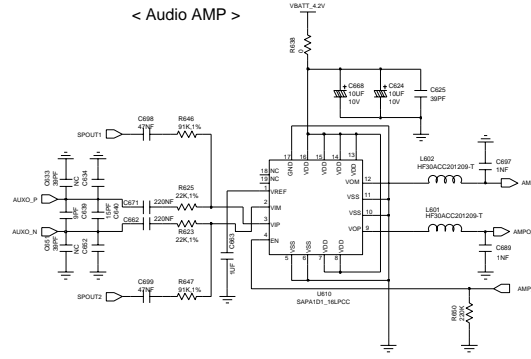


< Earphone Voice Path >

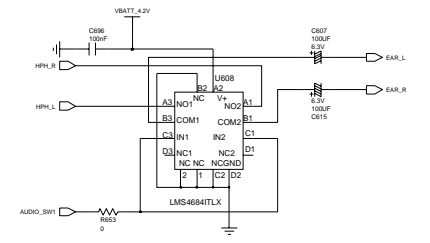
** Placed by STG3699(U605)



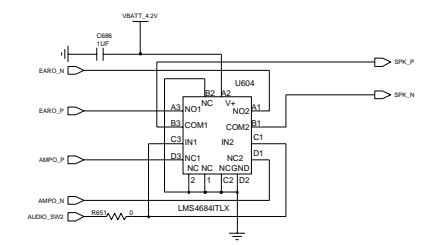
< Audio AMP >



< Audio Switch 1 >



< Audio Switch 2 >



< Earjack >

