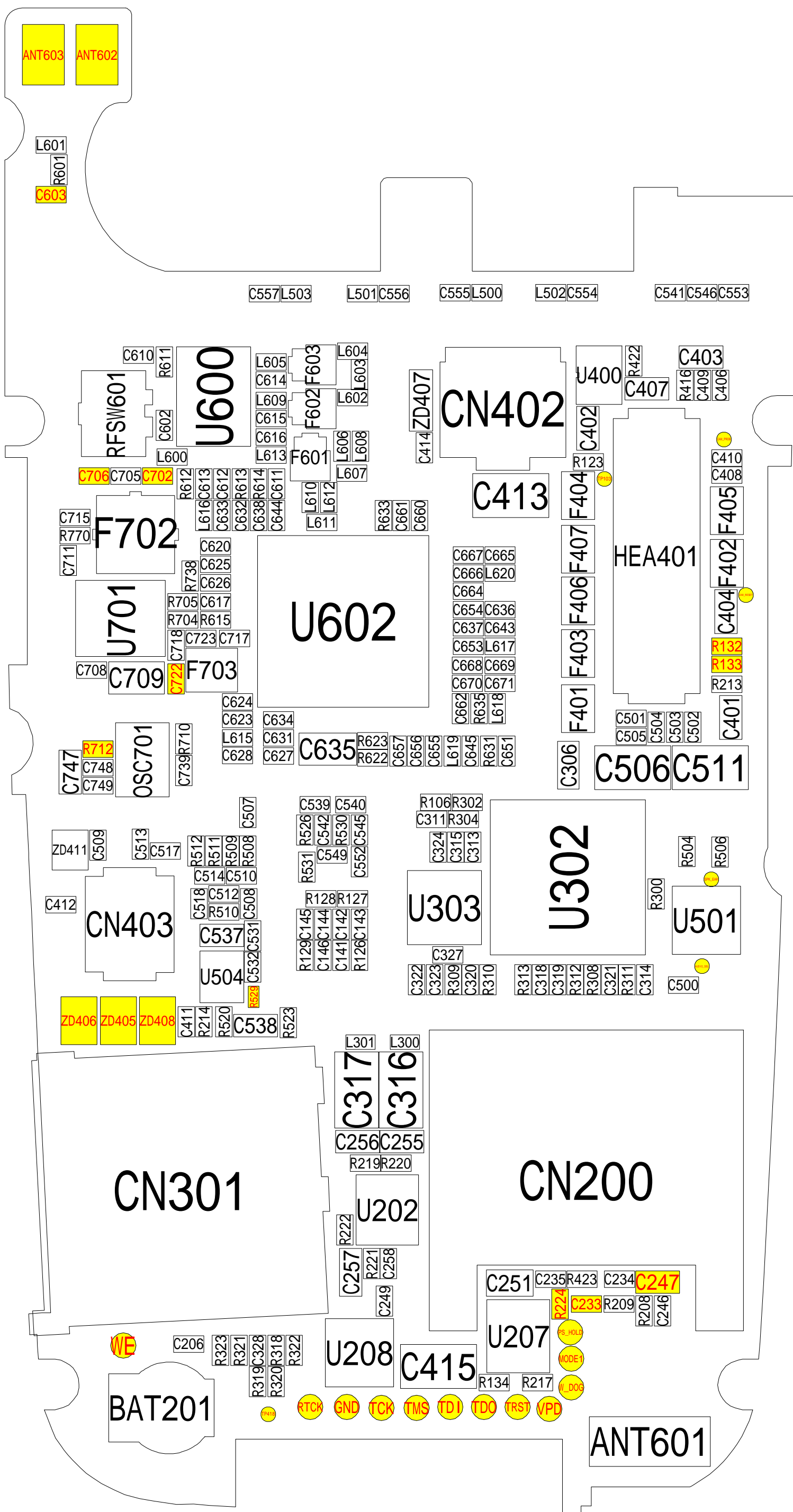


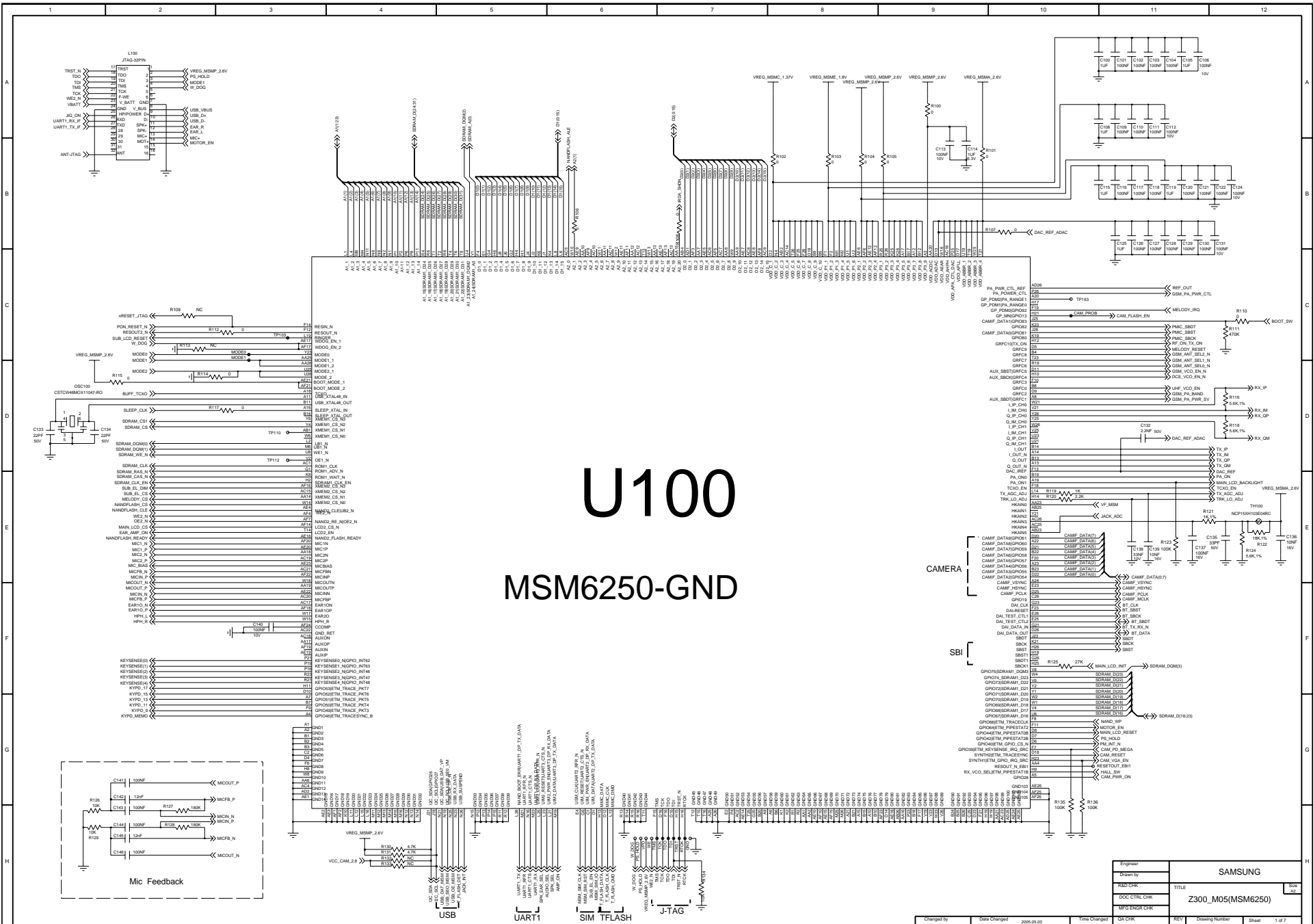
H4

H3

H1

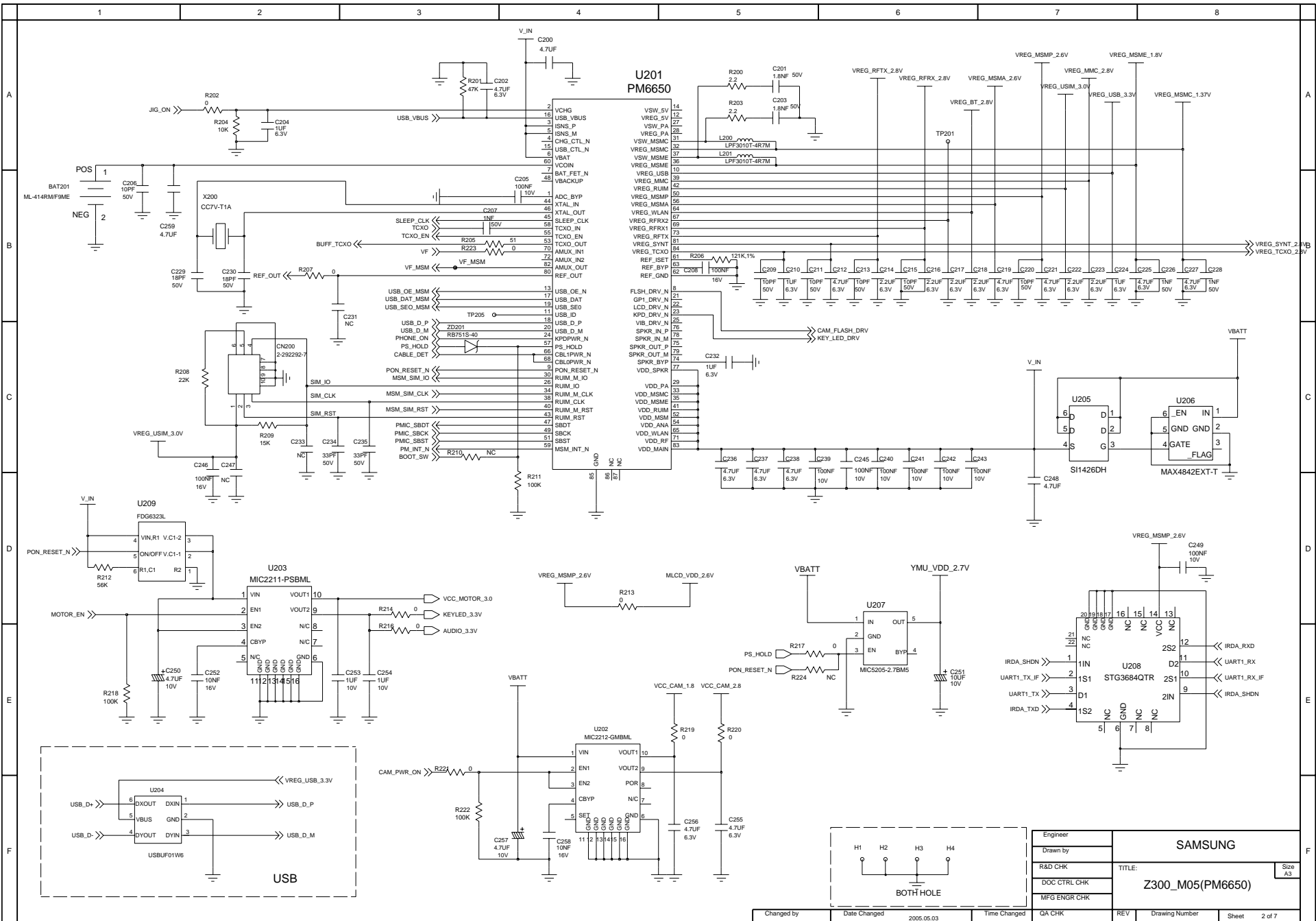
H2



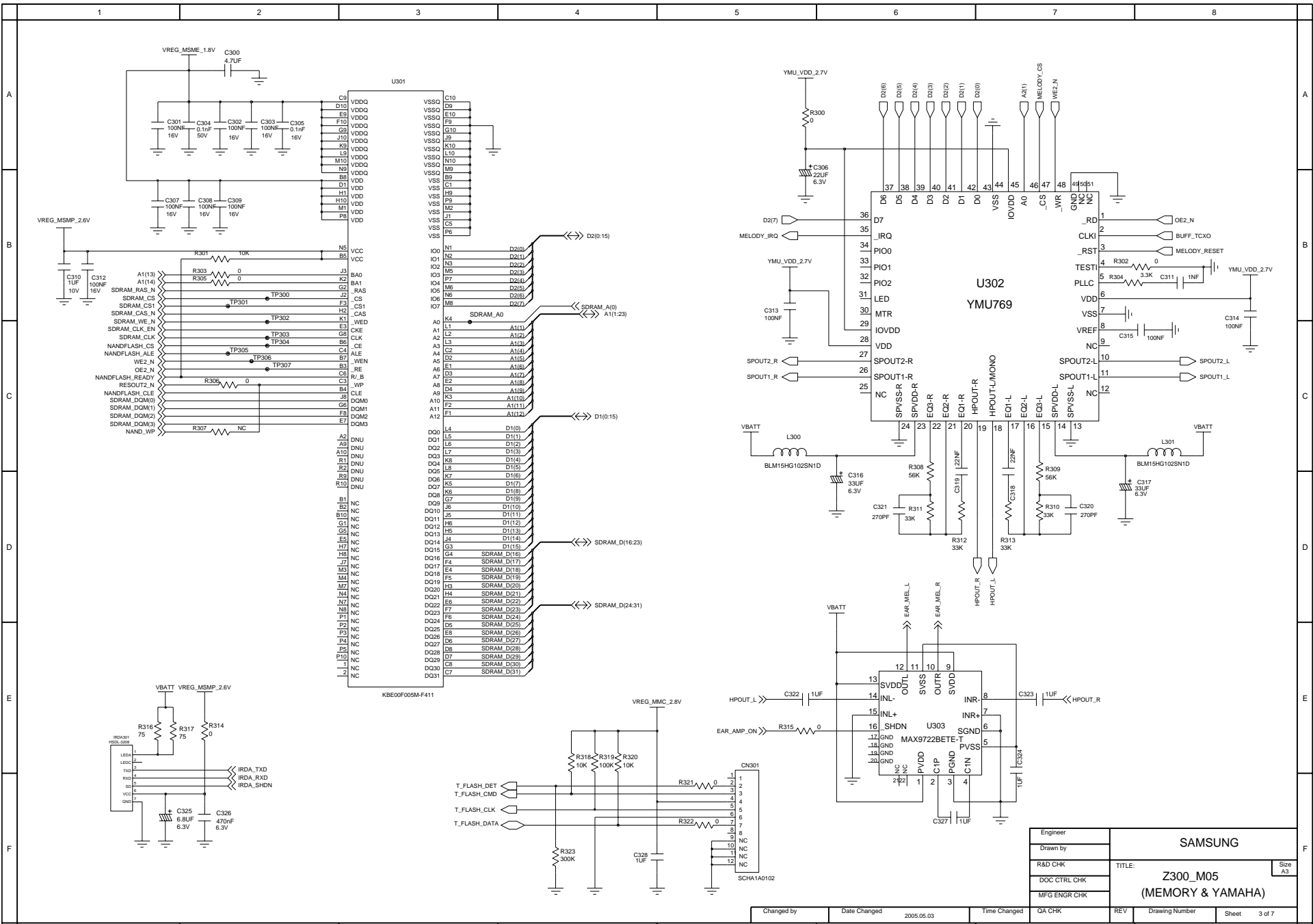


U100 MSM6250-GND

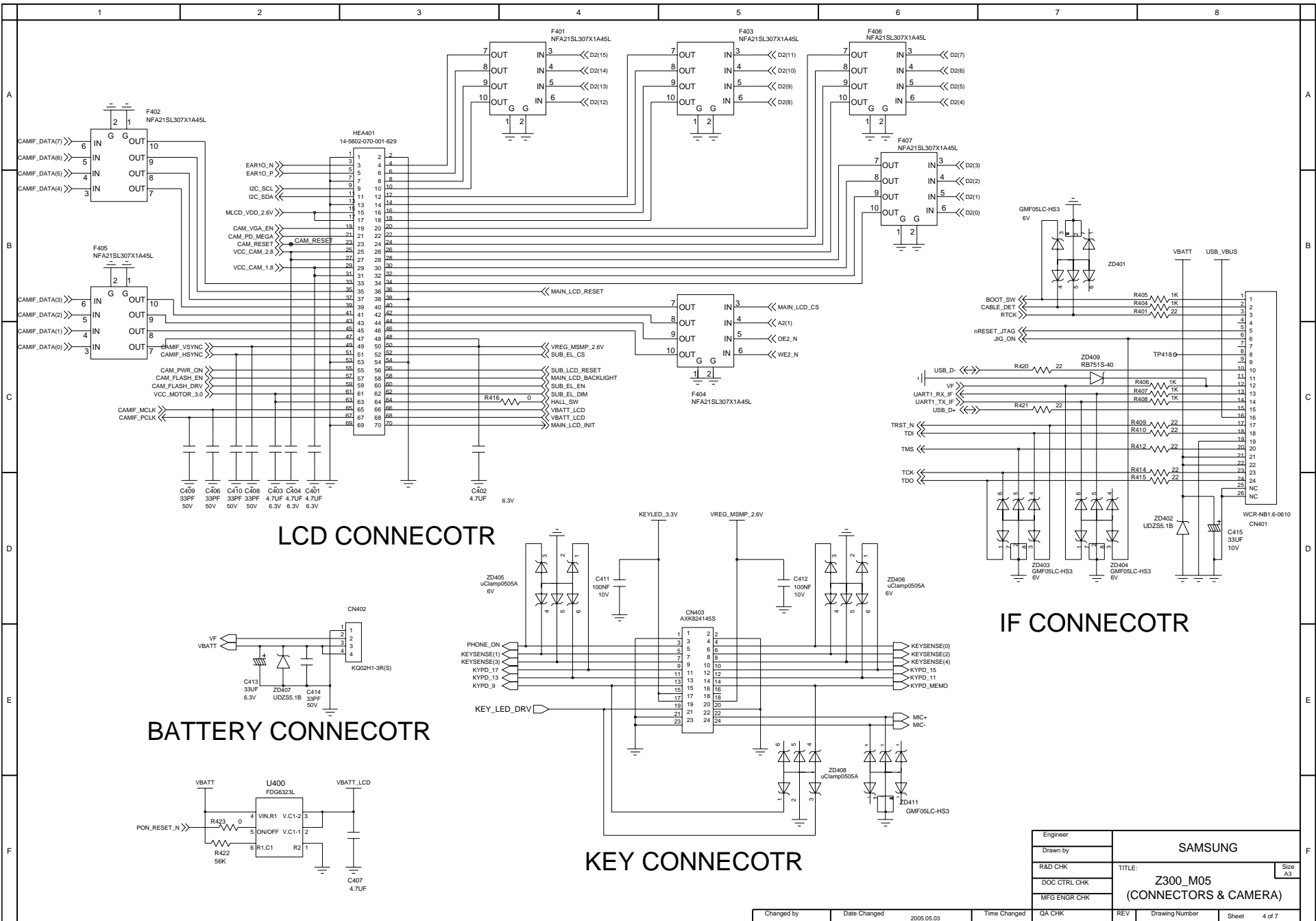
Engineer		SAMSUNG
Drawn by		TITLE
R&D CHK		10/10
DOC CTRL CHK		Z300_M05(MSM6250)
MFG ENDR CHK		Sheet
Changed by	Date Changed	Time Changed
	2008.08.03	
G/A CKR	REV	Drawing Number
		1 of 7



Engineer	SAMSUNG		Size A3
Drawn by			
R&D CHK	TITLE: Z300_M05(PM6650)		
DOC CTRL CHK			
MFG ENGR CHK			
Changed by	Date Changed	2005.05.03	Time Changed
QA CHK	REV	Drawing Number	Sheet 2 of 7



Engineer	SAMSUNG	
Drawn by		
R&D CHK	TITLE: Z300_M05	Size A3
DOC CTRL CHK	(MEMORY & YAMAHA)	
MFG ENGR CHK		
Changed by	Date Changed	2005.05.03
QA CHK	REV	3 of 7



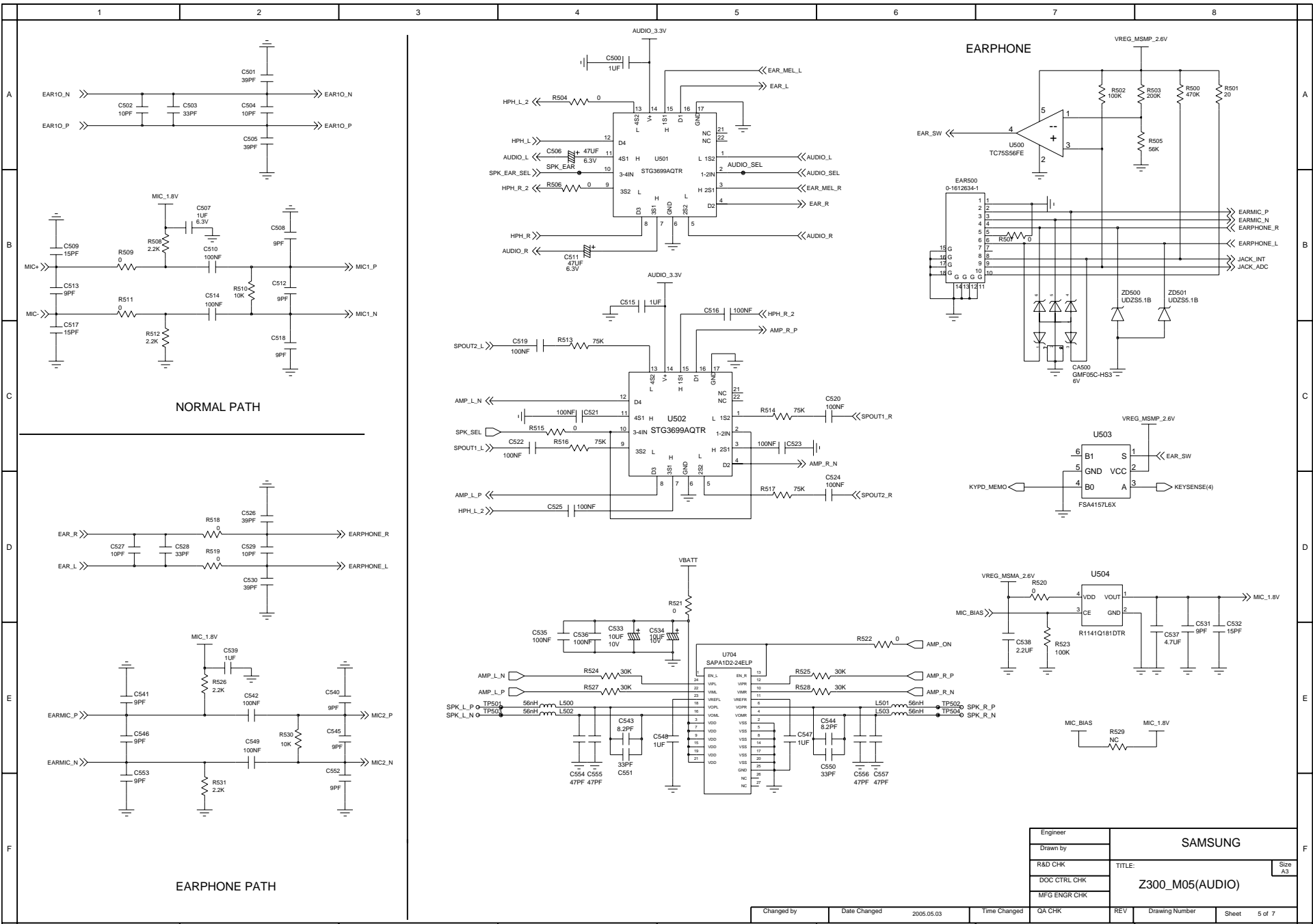
LCD CONNECOTR

IF CONNECOTR

BATTERY CONNECOTR

KEY CONNECOTR

Engineer	SAMSUNG		
Drawn by			
R&D CHK	TITLE:	Z300_M05	Size A3
DOC CTRL CHK	(CONNECTORS & CAMERA)		
MFG ENGR CHK			
REV	Drawing Number	Sheet 4 of 7	

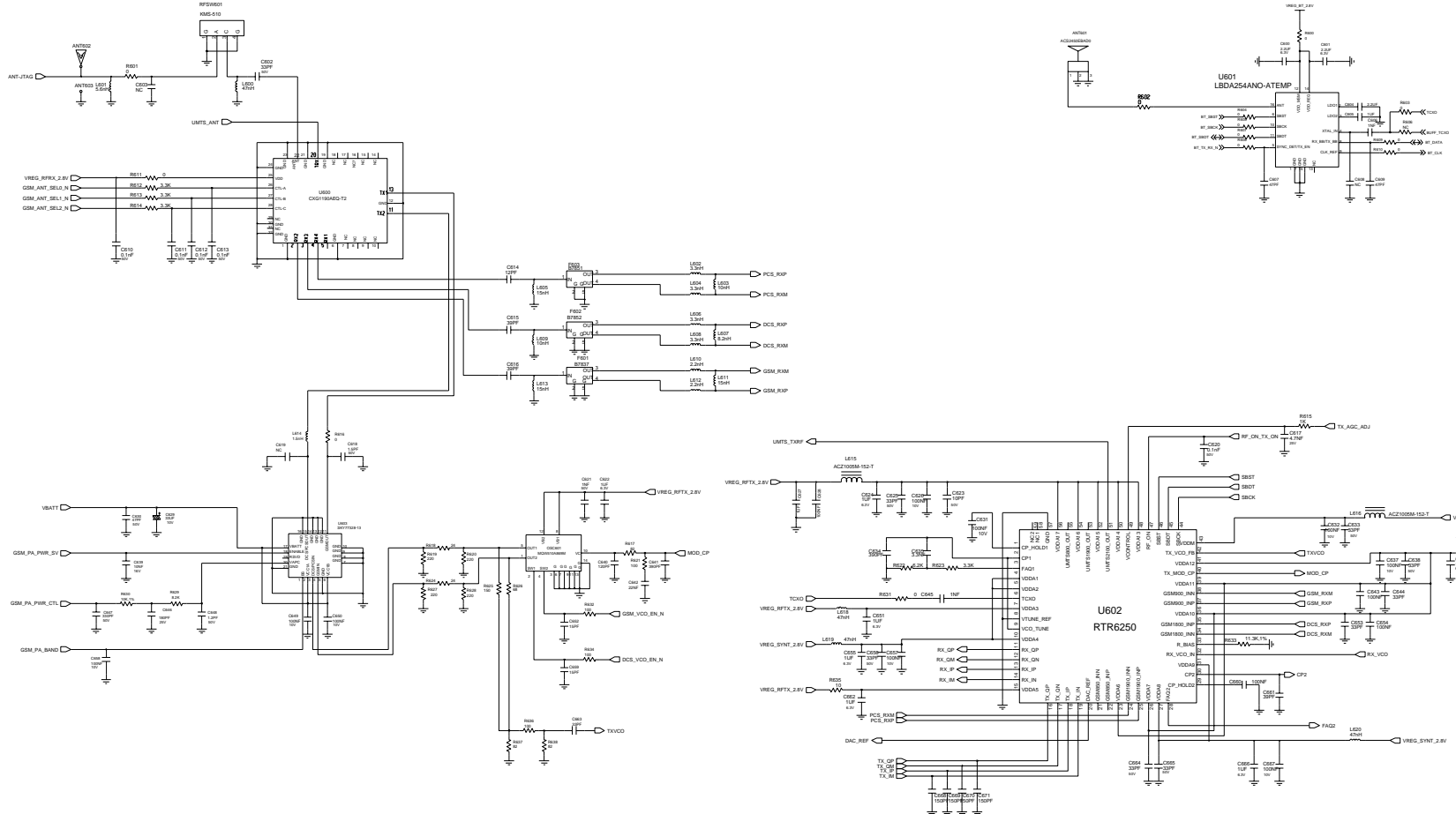


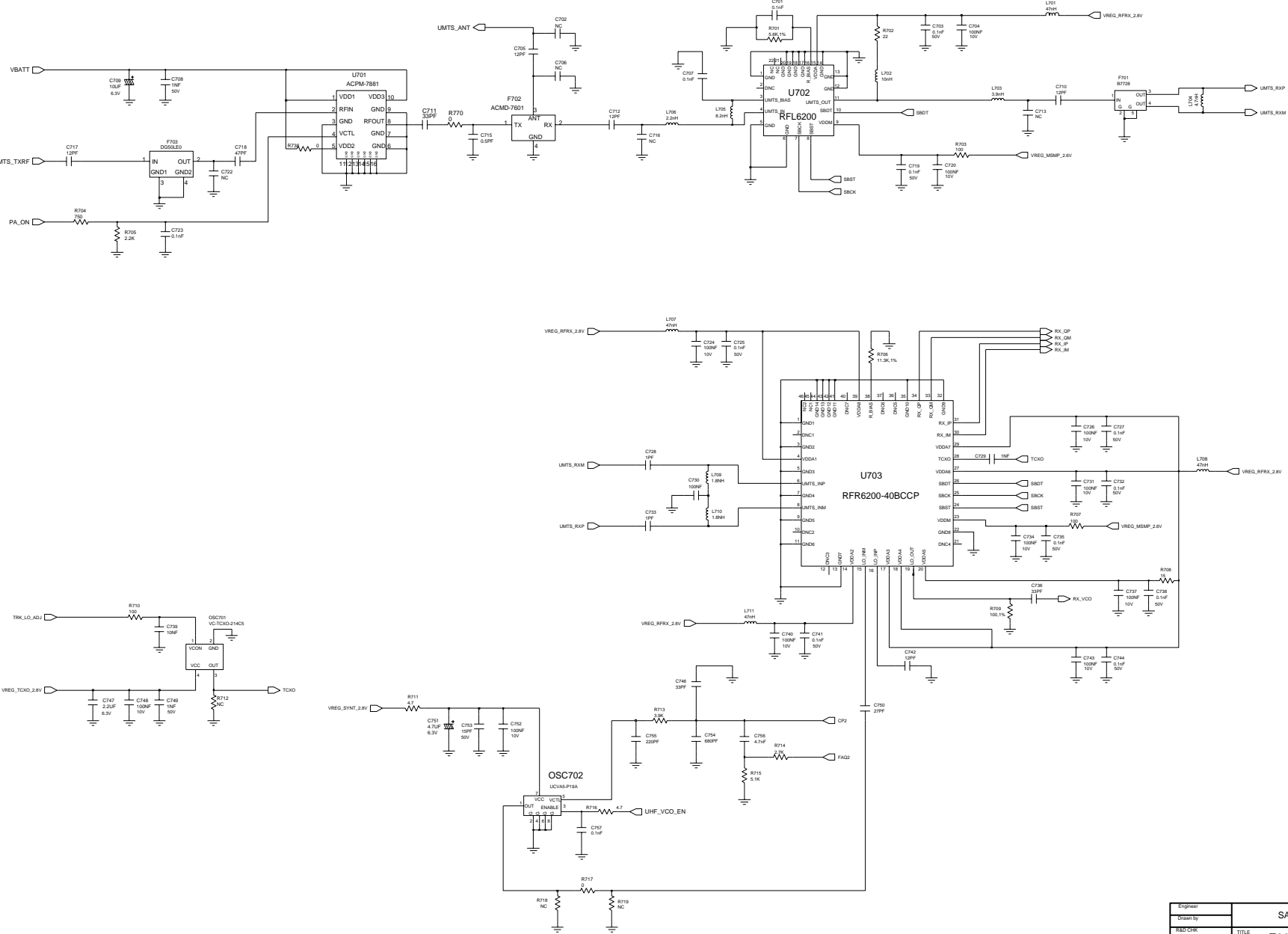
NORMAL PATH

EARPHONE PATH

EARPHONE

Engineer	SAMSUNG		
Drawn by			
R&D CHK	TITLE:	Z300_M05(AUDIO)	Size A3
DOC CTRL CHK			
MFG ENGR CHK			
Changed by	Date Changed	2005.05.03	Time Changed
QA CHK	REV	Drawing Number	Sheet 5 of 7





Engineer	SAMSUNG		
Drawn by			
RD/CHK	TITLE	Z300_M05	Sheet 7 of 7
DOC CTRL CHK	RFR6200		
MP/ENGR CHK			