

ANT101 ANT100

C105
C161
L101

C741 L703 L701 C740 C739 L700 L702 C738 C734 C725 C720

R103 C100 C214
RFS100
L100
U101
F201

BTC501
C514
ZD504
U700
R709
R707
R706
R460
R459

C219 C217 C218
C212
U202
F100
F101
F102
L106 C111
L113 C117
L116 C124 L120
L103 L105 L109 L111
L104 C113 L110
L116 L119
L118
TA213
C221 C224
Q200
R100
F202
L102
C223
C230
R218
R217
R216
C210
C212
R100
L108
L114
L115
L117
L118
C124 C118
C119
OSC201
C246 R219
R214
C243 R220
Q202
C249
C247
L211

TA513
TA647
C807
C806
F804 F801
HDC800
C804
C803
U603
TA648
C650
U604
TA649
U605
C755 C745
F805 F803 F802 F800
C809
C808
R618
R613
R612
R621
C703
C702
C704
C700
R734 R723

C768
C769
C770
U817
U811
C757
U705
U708
C779
C761
C749
C747
HDC801
C814
R822
ZD801
R407
C403
ZD802
R413
R406
R412
R411
R830
R829
R735
R760
R763

R433
R432
C733
R729
R727
C721
R719
C719
R434
R410
C416
C409
C406
C408
R431
C405
C724
R719
C719
R721
R720
R713
R711
C718
C726
C718
R718
C735
C723
C716
R806
R814
R814
C417
R438
R437
R436
R435
R434
R433
C812
U802
R817
L801
C810
C811
U400
C418
R812
R612
R632
R611

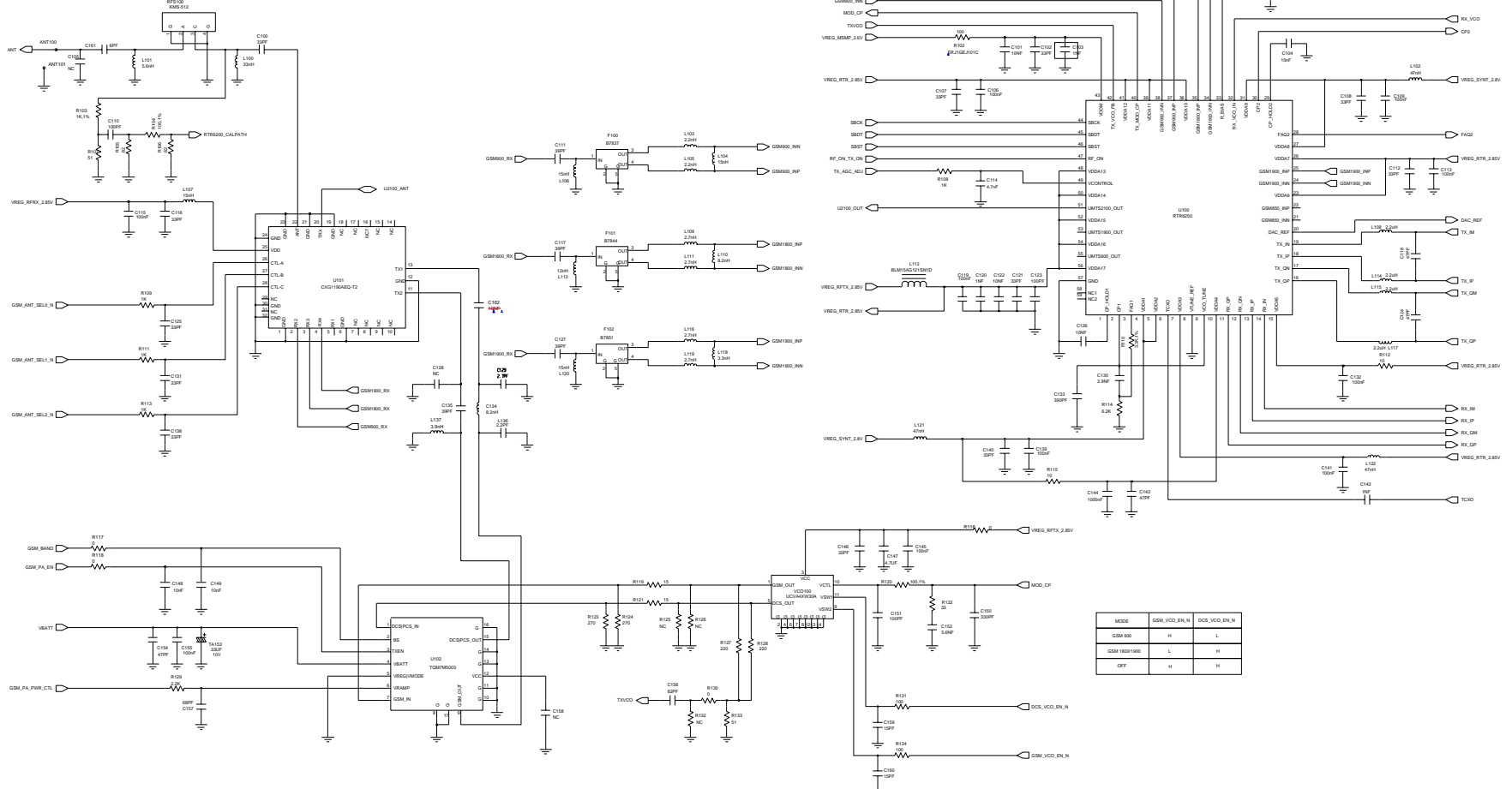
CN400

SIM600

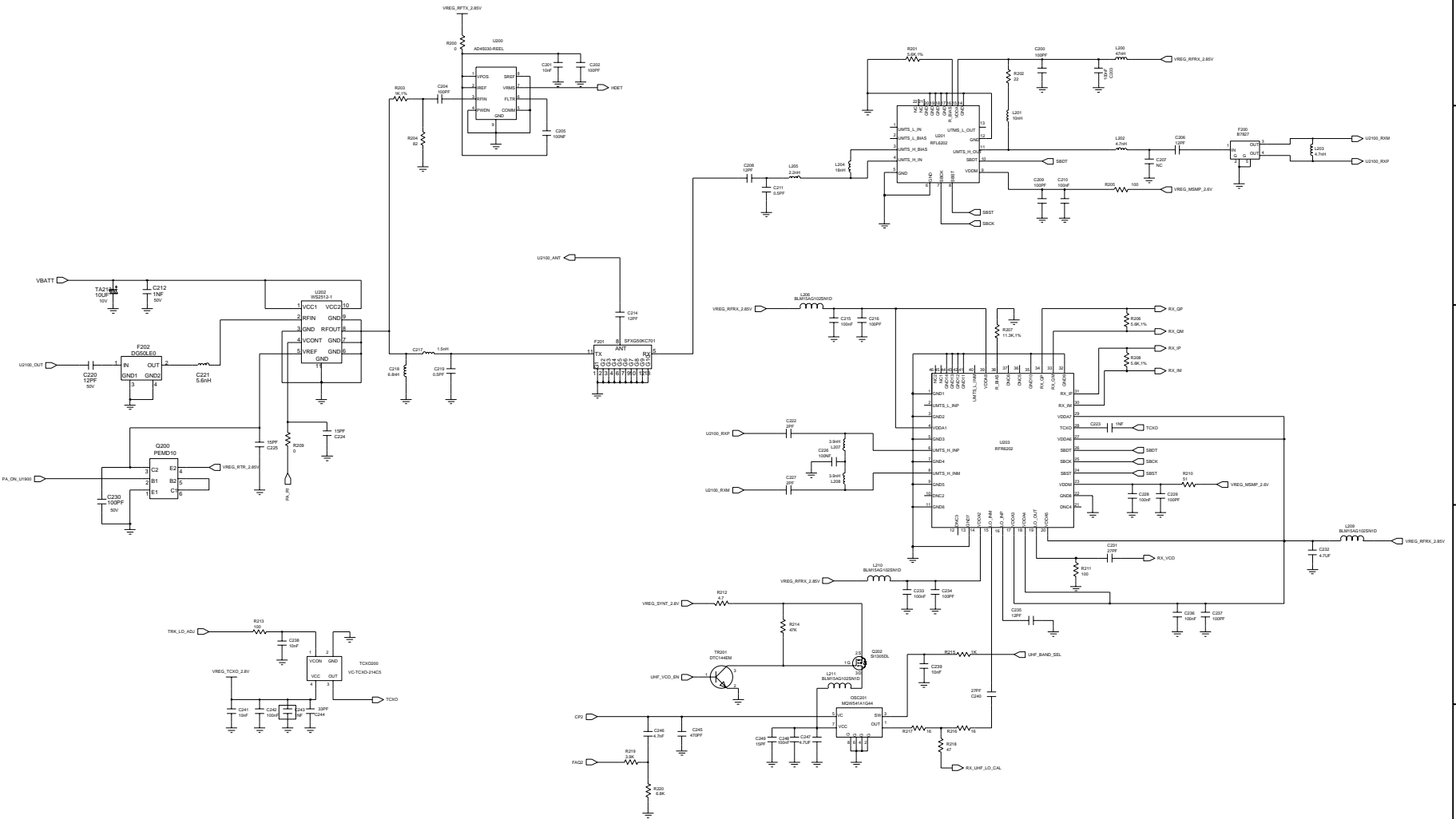
U805
R819
R818
R817
R816
R815
R814
R813
R812
R811
R810
R809

BAT601
U800
TA514
TA512
ANT501
R520
R518
R813
R824
R820
R820
C802
C801
R528
ZD501
L602
C634
C633
C644
C654
R617
R620
TA653
U602
C651
L603
C652
C645

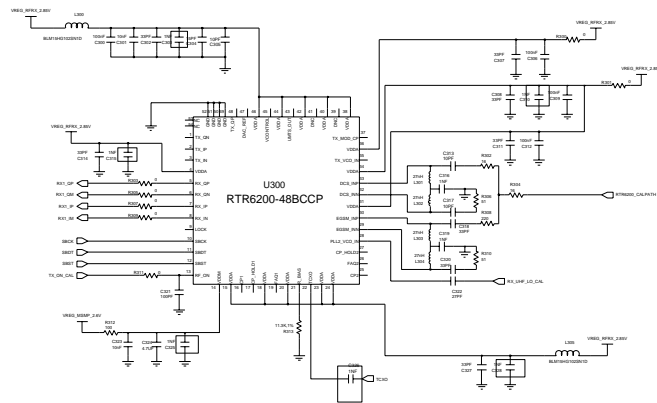
< GSM >



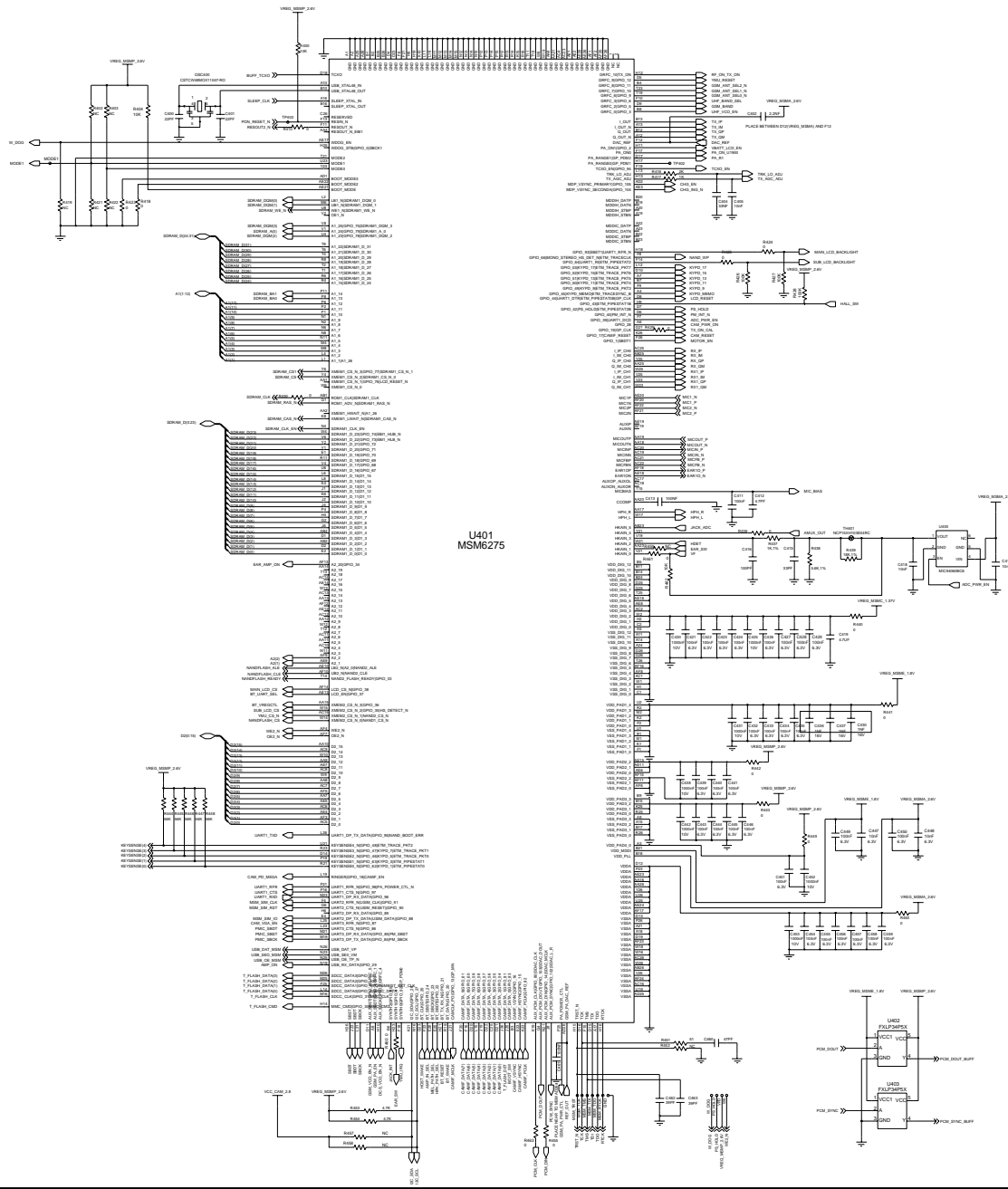
< WCDMA >



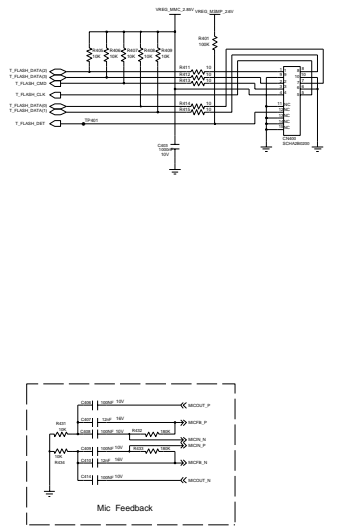
<EDGE CAL>



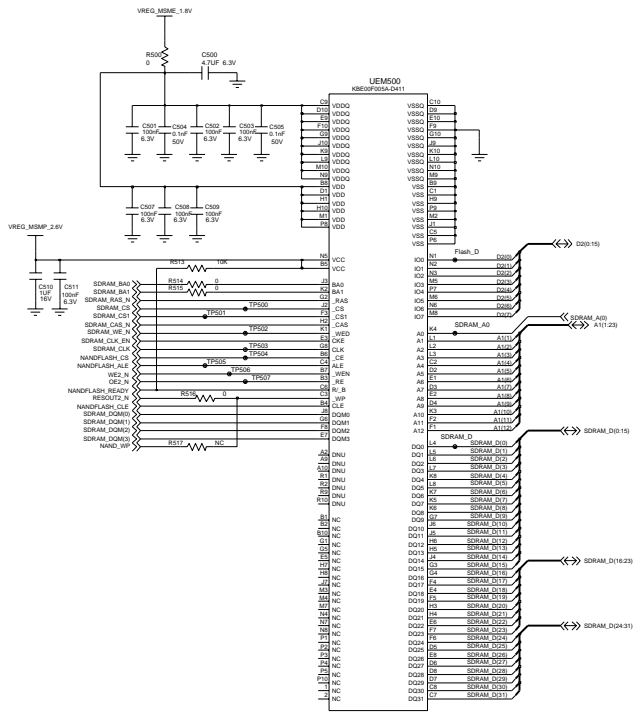
<MODEM>



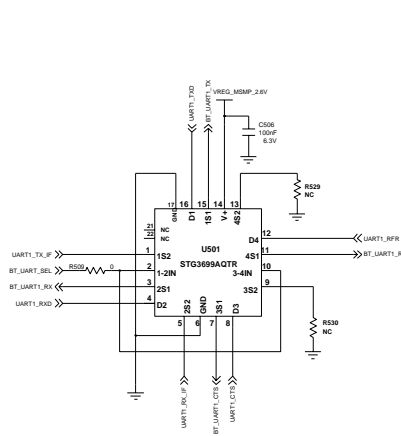
< T-Flash >



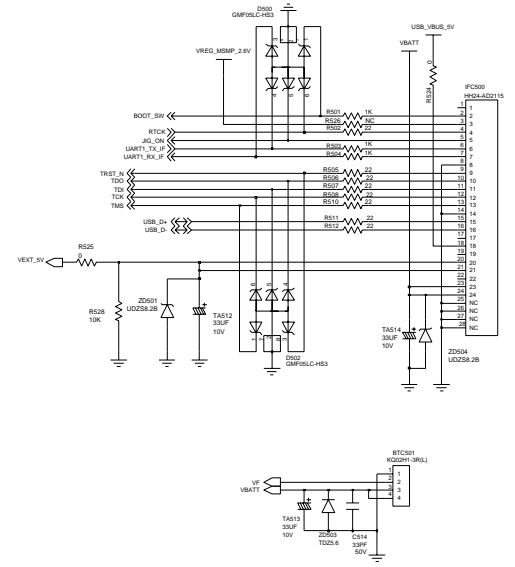
< Memory 1G/512M >



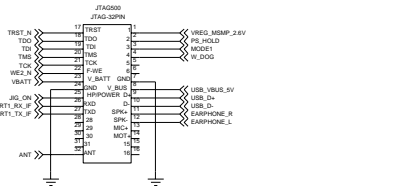
< UART1 SWITCH >



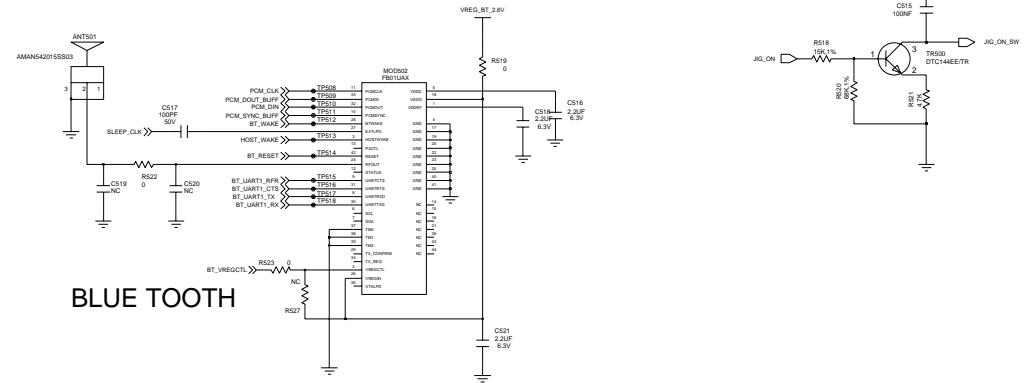
< IF Connector >

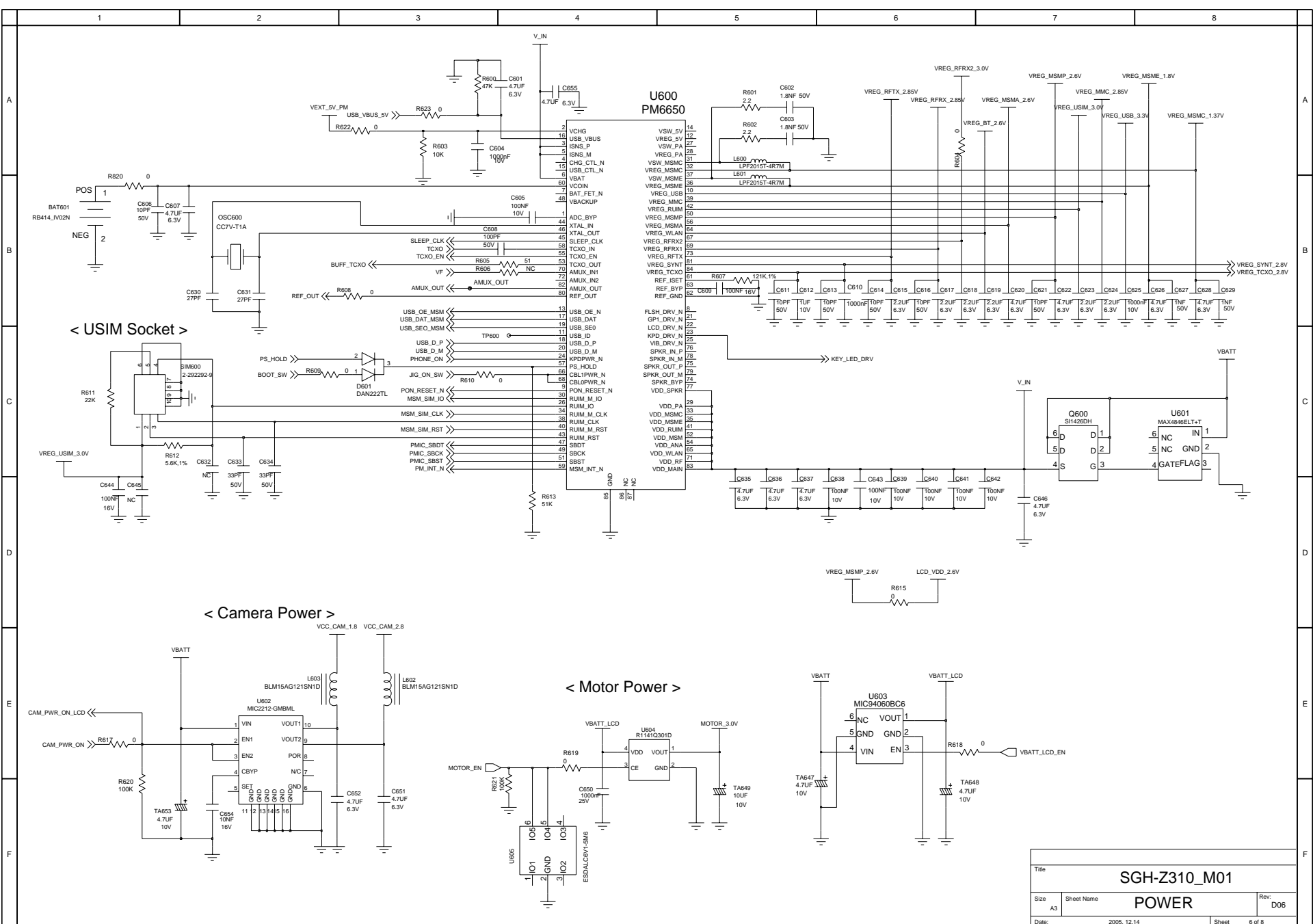


< TEST PAD >



BLUE TOOTH

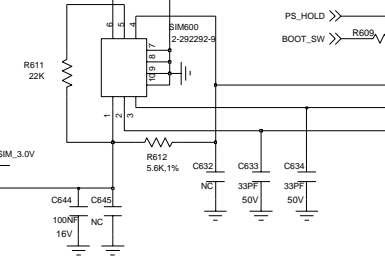




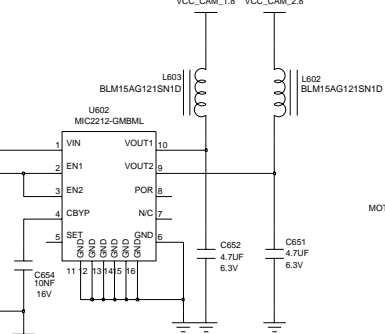
**U600
PM6550**

- 14 VCHG
- 15 USB_VBUS
- 16 VSW_PA
- 17 VREG_PA
- 18 VREG_PA
- 19 VSW_MSMC
- 20 VREG_MSMC
- 21 VSW_MSME
- 22 VREG_MSME
- 23 VCOIN
- 24 BAT_FET_N
- 25 VBACKUP
- 26 ADC_BYP
- 27 XTAL_IN
- 28 XTAL_OUT
- 29 SLEEP_CLK
- 30 SLEEP_CLK
- 31 TCXO_IN
- 32 TCXO_OUT
- 33 TCXO_EN
- 34 TCXO_IN
- 35 AMUX_IN1
- 36 AMUX_IN2
- 37 AMUX_OUT
- 38 REF_OUT
- 39 USB_OE_MSM
- 40 USB_DAT_MSM
- 41 USB_SEO_MSM
- 42 TP800
- 43 USB_D_P
- 44 USB_D_M
- 45 PHONE_ON
- 46 PS_HOLD
- 47 JIG_ON_SW
- 48 CBL1PWR_N
- 49 CBL0PWR_N
- 50 PON_RESET_N
- 51 RUM_M_IO
- 52 RUM_M_IO
- 53 RUM_M_CLK
- 54 RUM_M_CLK
- 55 RUM_M_RST
- 56 RUM_M_RST
- 57 VDD_MSMC
- 58 VDD_MSME
- 59 VDD_RUM
- 60 VDD_MSM
- 61 VDD_ANA
- 62 VDD_WLAN
- 63 VDD_V
- 64 VDD_MAIN
- 65 GND
- 66 GND
- 67 GND

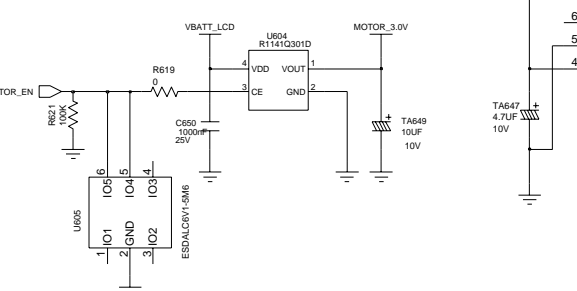
< USIM Socket >



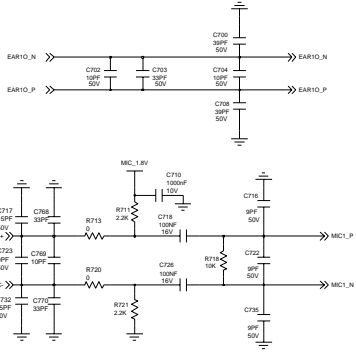
< Camera Power >



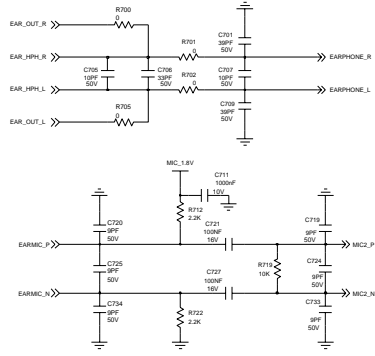
< Motor Power >



< Audio >

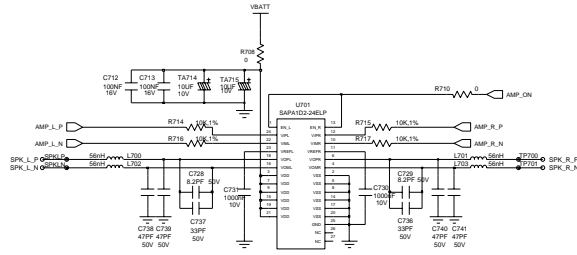


NORMAL PATH

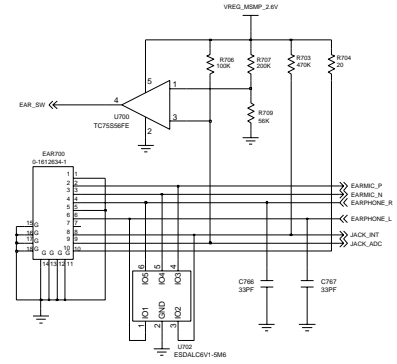


EARPHONE PATH

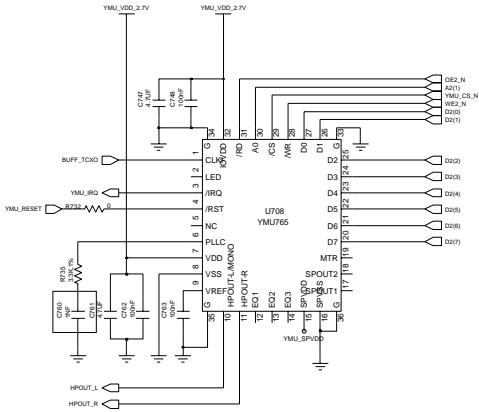
< Audio AMP >



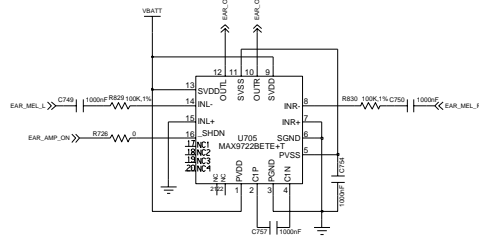
< Earjack >



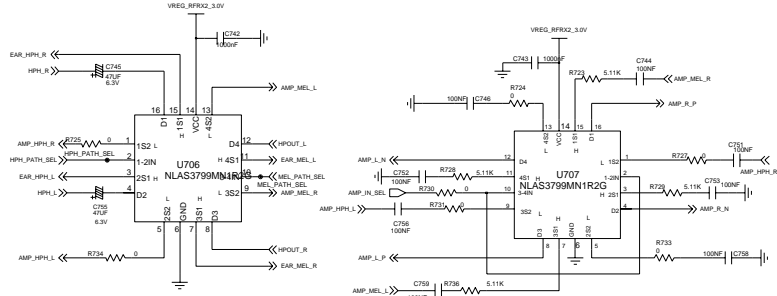
< Melody IC >



< Earphone AMP >



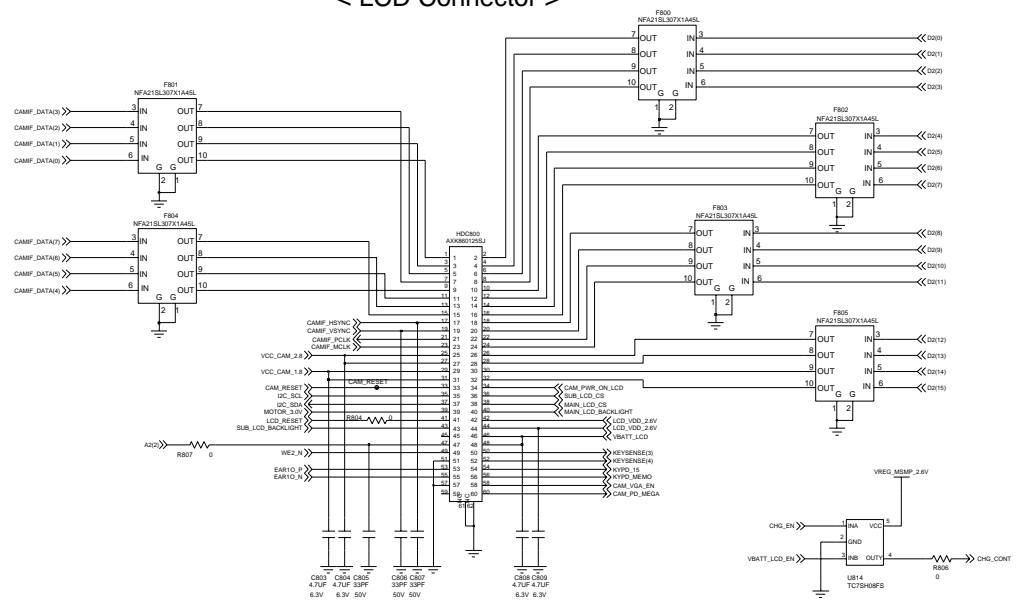
< Audio Switch >



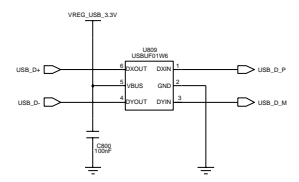
** Audio Switch Control

	H	L
HPH_PATH_SEL	Earphone	AMP
MEL_PATH_SEL	Earphone	AMP
AMP_IN_SEL	YMU MEL	HPH

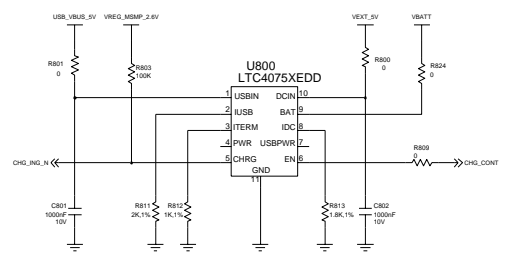
< LCD Connector >



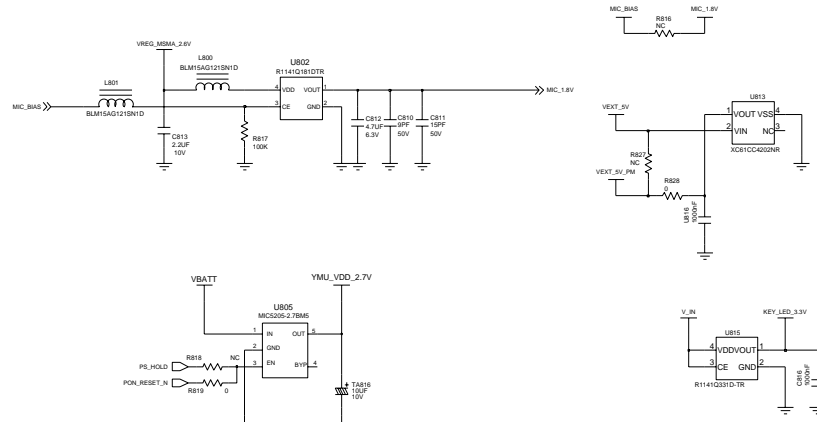
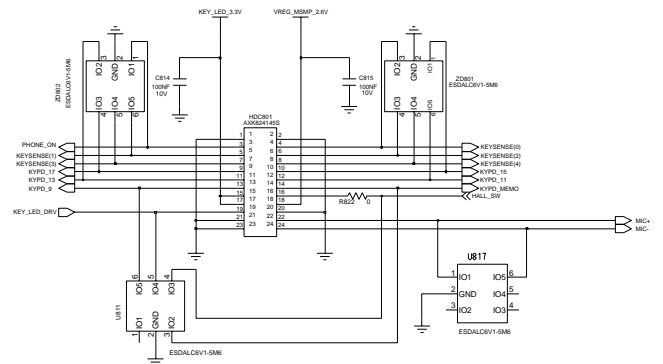
< USB Filter >



< Charger >



< Key Connector >



Title	SGH-Z310_M01	
Size	Sheet Name	Part
A3	CONECTOR	D06
Date:	2005.12.14	Sheet 6 of 8