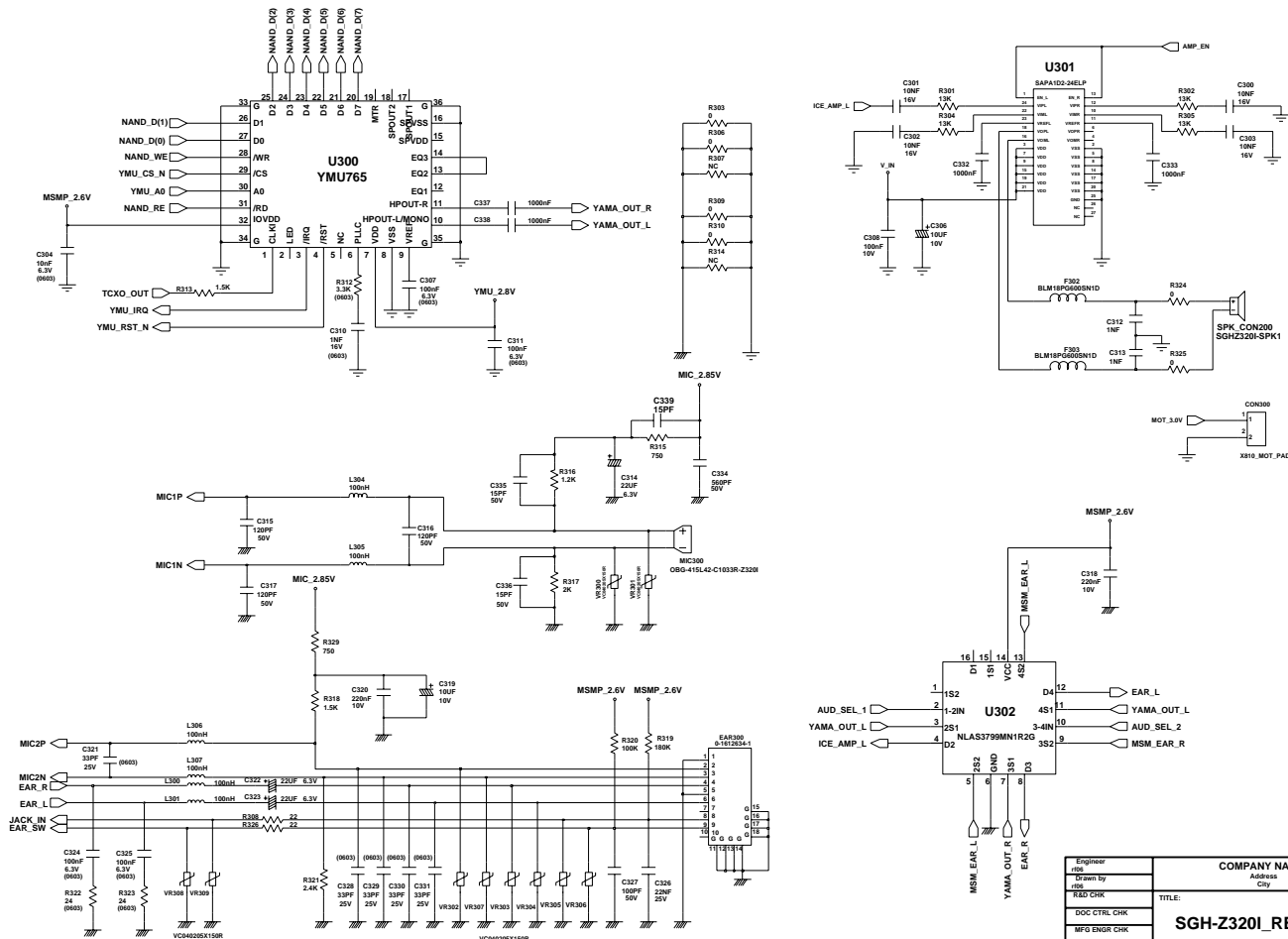
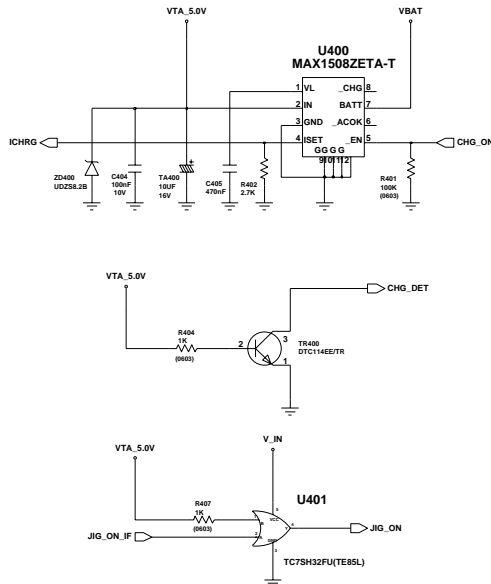
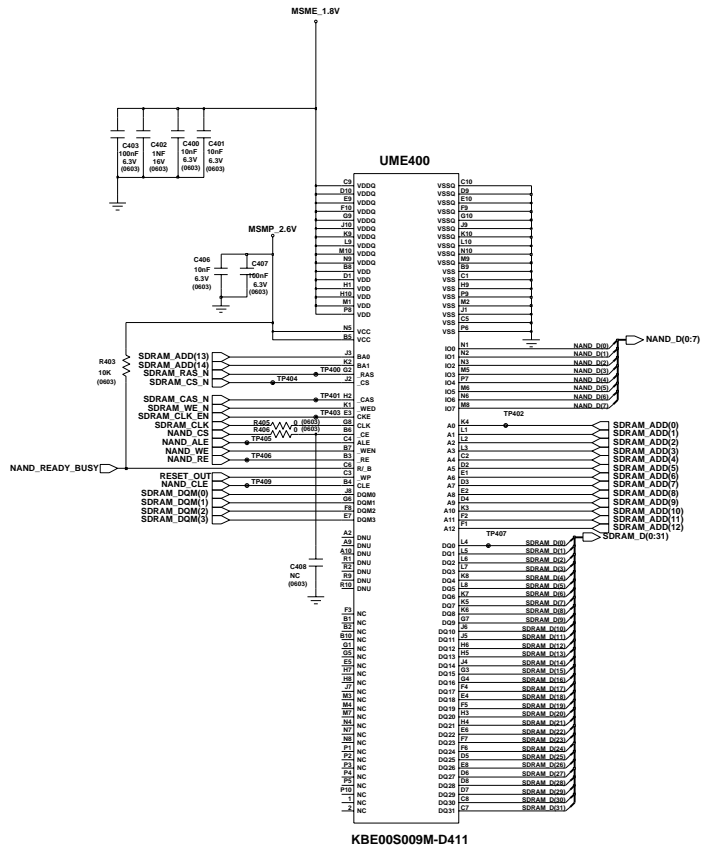


Engineer Drawn by RSD/CHK DDC/CTRL/CHK MFG/BDGR/CHK	TITLE: SGH-Z320I_REV1.1	COMPANY NAME Address City	Size A4
Drawing Number SGH-Z320I_REV1.1		Sheet 2 of 8	



Engineer	SGH-Z320I_REV1.1
Drawn by	
Check	
DATE	
TITLE:	
MFG GROUP	
SGH-Z320I_REV1.1	
COMPANY NAME Address City	
Size	A4

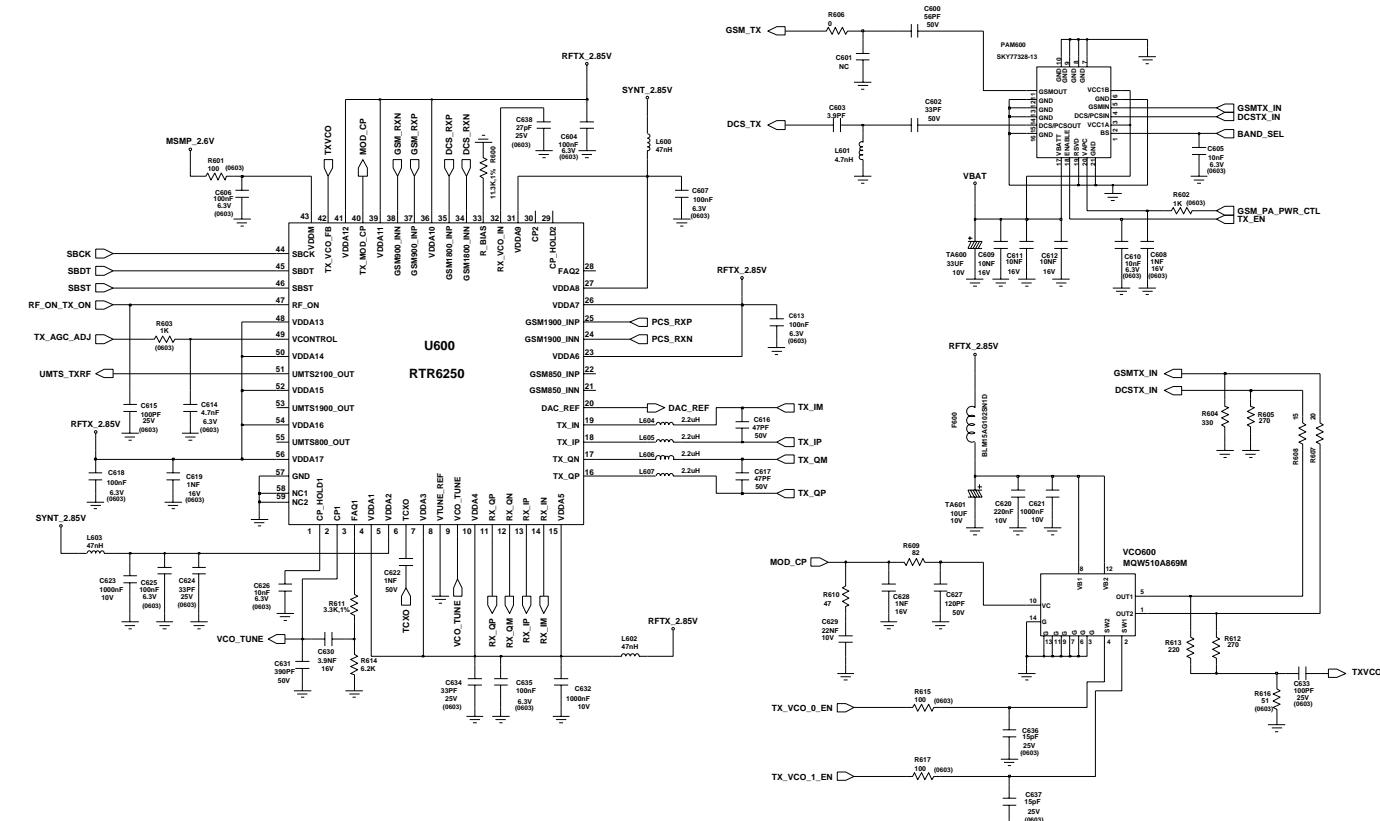
MEMORY



Engineer	COMPANY NAME
Drawn by	Address
RED CHK	City
DWG CTRL CHK	TITLE:
MFG BRGR CHK	Size
	A1

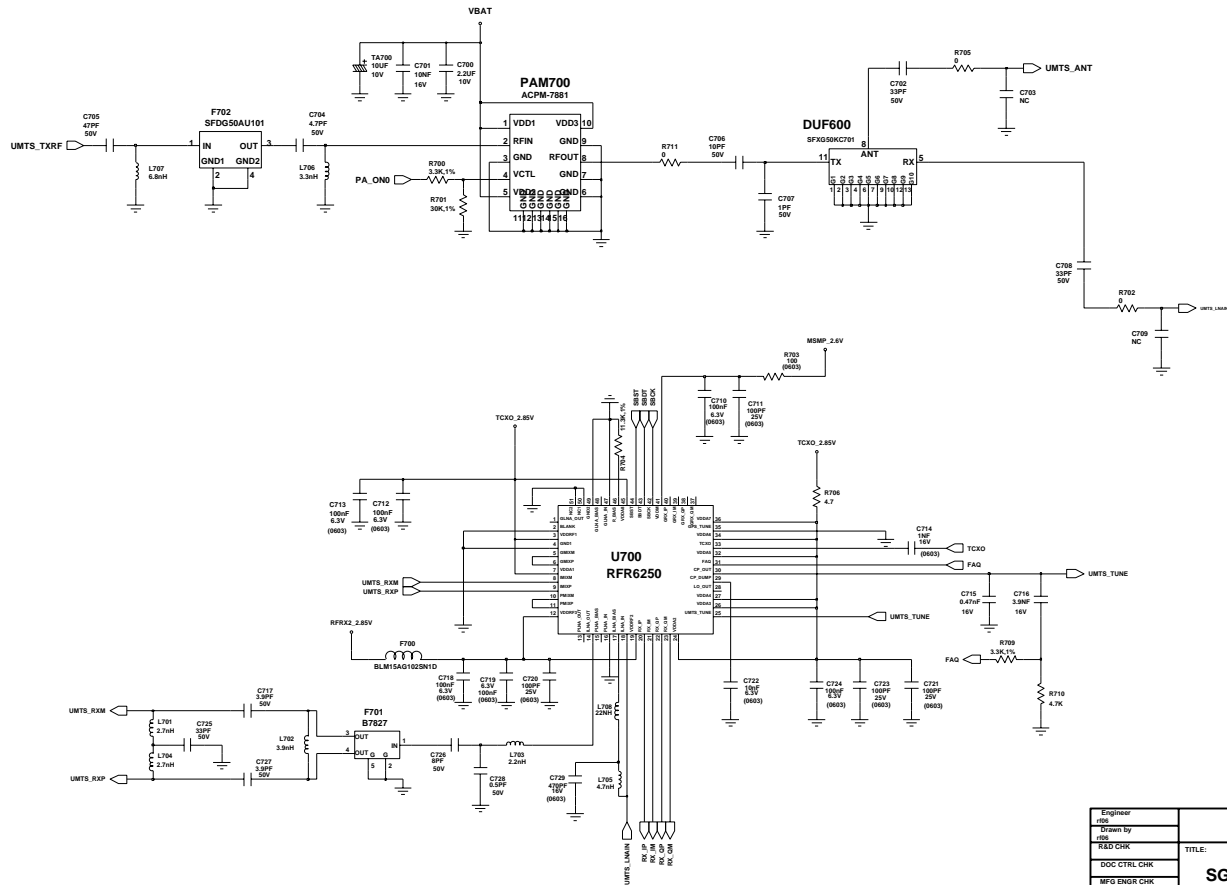
SGH-Z320I_REV1.1

RF1(RTR6250)



Engineer	COMPANY NAME	
Drawn by	Address	
RED/CHK	City	
DOC CTRL/CHK	TITLE:	Size A3
MFG/INSUR/CHK	SGH-Z320I_REV1.1	

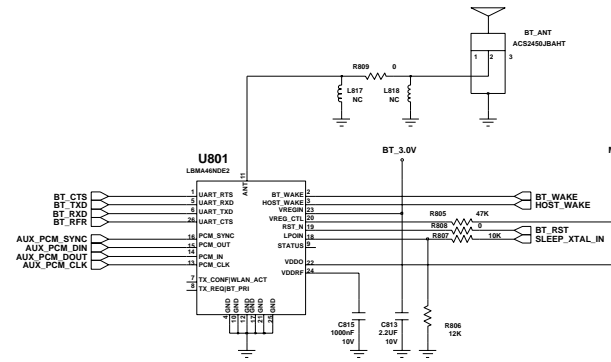
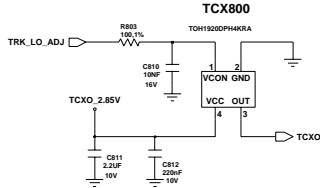
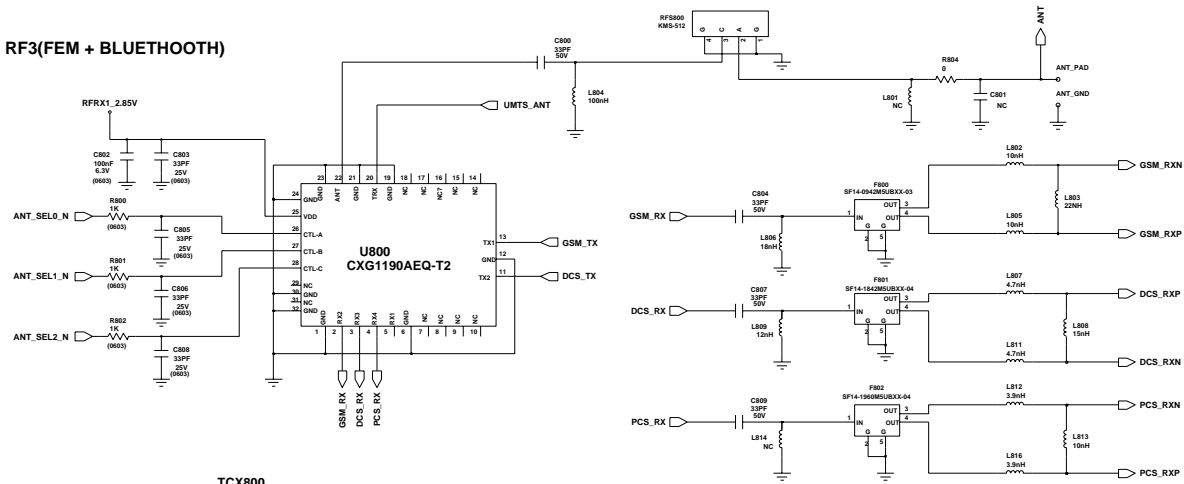
RF2(RFR6250)



Engineer rpg	COMPANY NAME
Drawn by rpg	Address
REED CHK	City
DOC CTRL CHK	TITLE:
MFG INDR CHK	Size A1
	SGH-Z320I_REV1.1

Changed by rpg	Date Changed 2005.11.16	Time Changed 8:24:08 pm	QA CHK	REV 1.1	Drawing Number	Sheet 7 of 8
-------------------	----------------------------	----------------------------	--------	------------	----------------	--------------

RF3(FEM + BLUETOOTH)



Engineer	COMPANY NAME	
Drawn by	Address	
RED CHK	City	
DWG CTRL CHK	TITLE:	Size A4
MFG ENGR CHK	SGH-Z320I_REV1.1	
REV 1.1	Drawing Number	Sheet # of #

