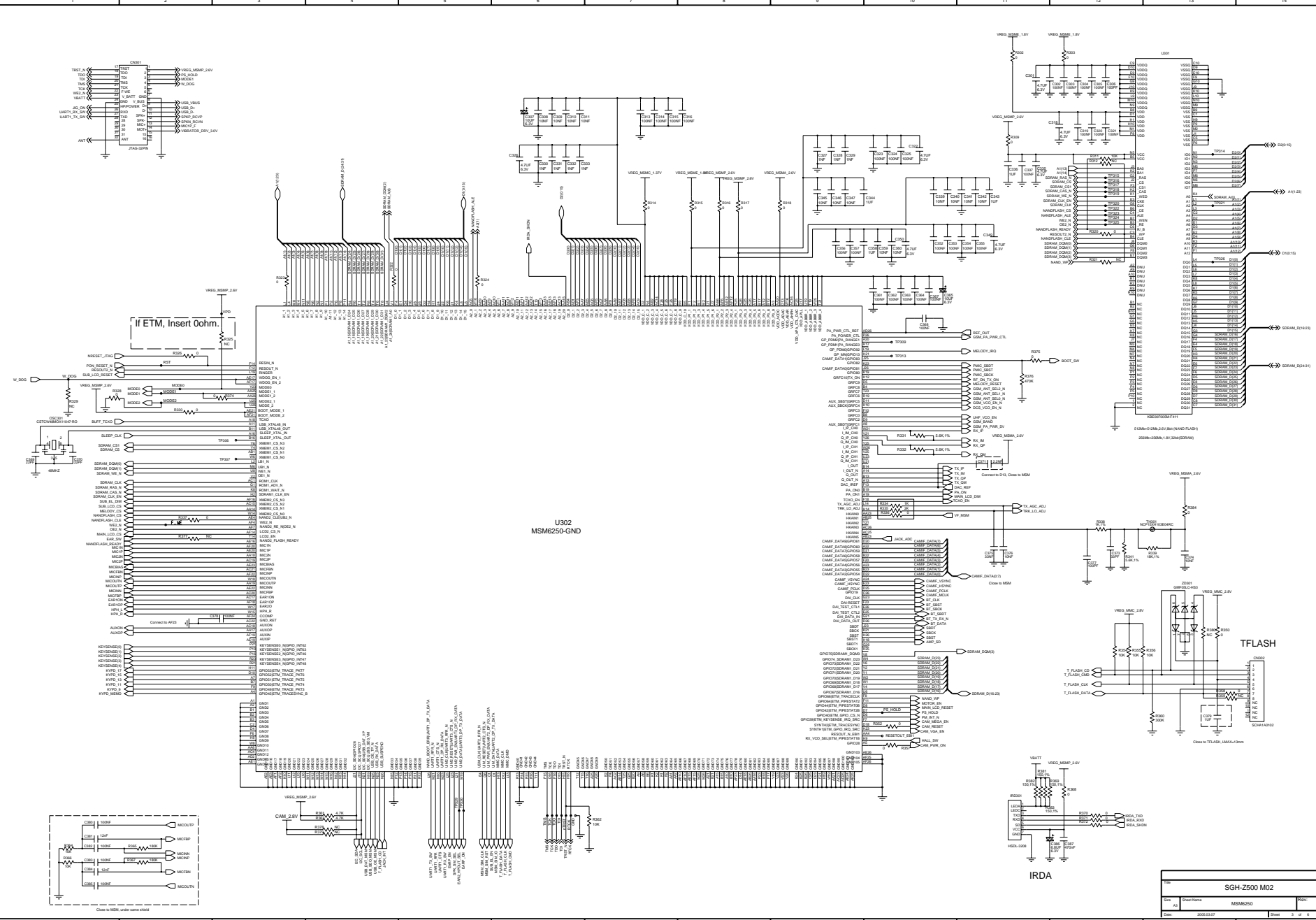


Engineer	1001	SAMSUNG TITLE SGH-Z500 M02	Sheet 2 of 8
Drawn by	1001		
R&D CHK			
DOC CTRL CHK			
MFG ENGR CHK			



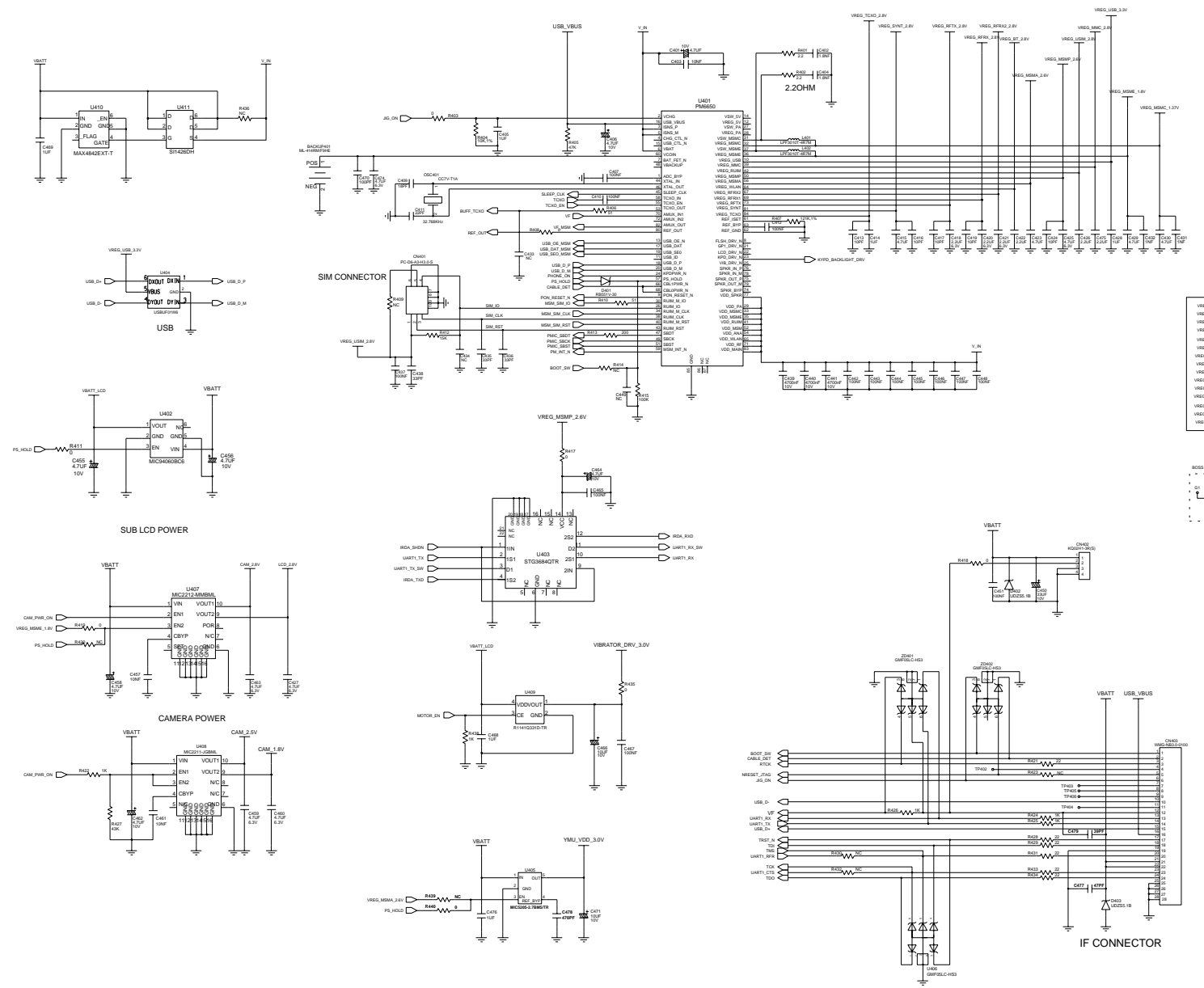
If ETM, Insert 0ohm

U302
MSM6250-GND

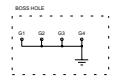
TFLASH

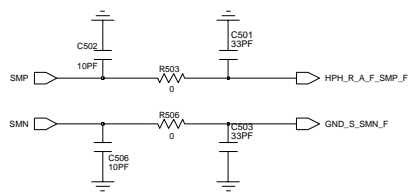
IRDA

SGH-Z500 M02			
Rev	Sheet Name	MSM6250	Sheet
1			3 of 4
Date	20020307		

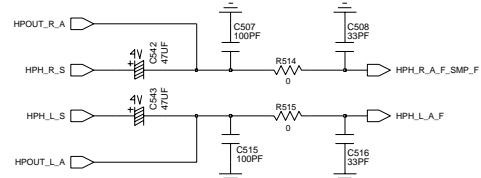


REGULATED VOLTAGE	CURRENT
VREG_DV	0V
VREG_M3MC	1.35V/0.00mA
VREG_M3MC	1.95V/0.00mA
VREG_PA	1.8V/0.00mA
VREG_M3MA	2.6V/0.00mA
VREG_M3MP	2.6V/0.00mA
VREG_M3MC	2.8V/0.00mA
VREG_M3RY	2.8V/0.00mA
VREG_M3TX	2.8V/0.00mA
VREG_BATT	2.8V/0.00mA
VREG_SYNT	2.8V/0.00mA
VREG_TCAD	2.8V/0.00mA
VREG_USB	2.8V/0.00mA

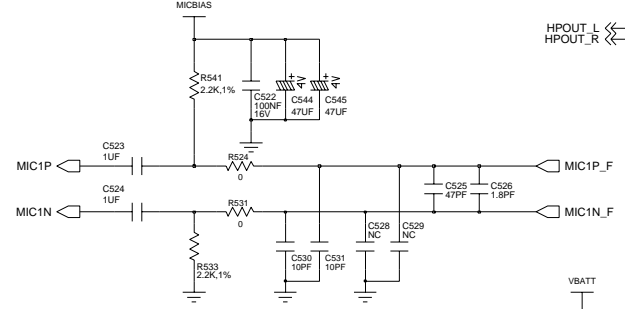




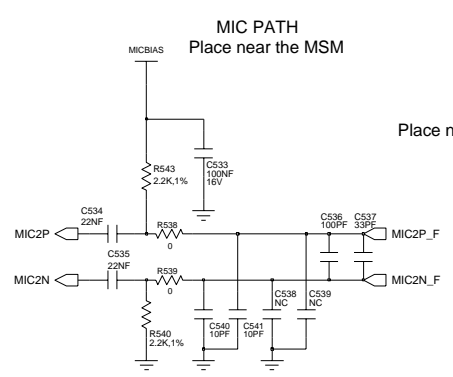
SOUNDMATE PATH
Place near the earjack



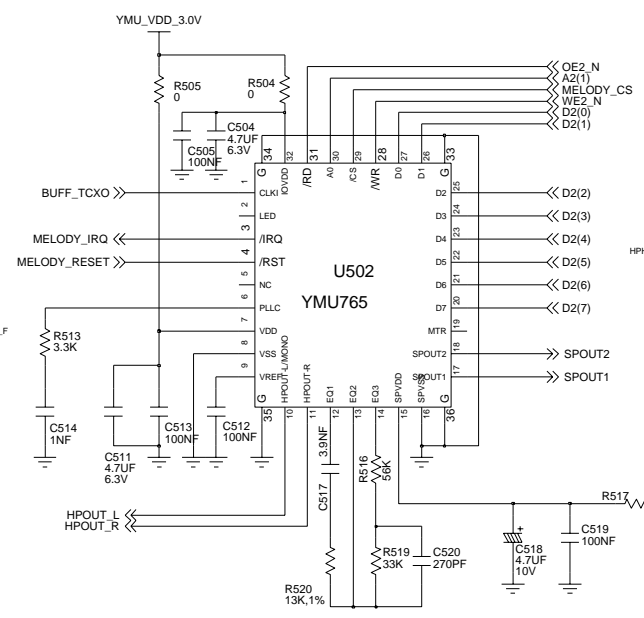
STEREO EARPHONE PATH
Place near the earjack



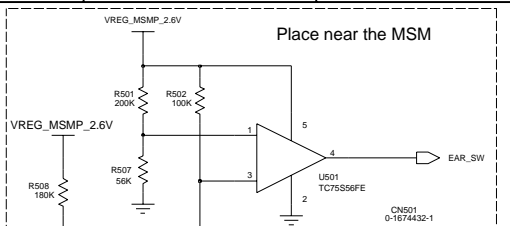
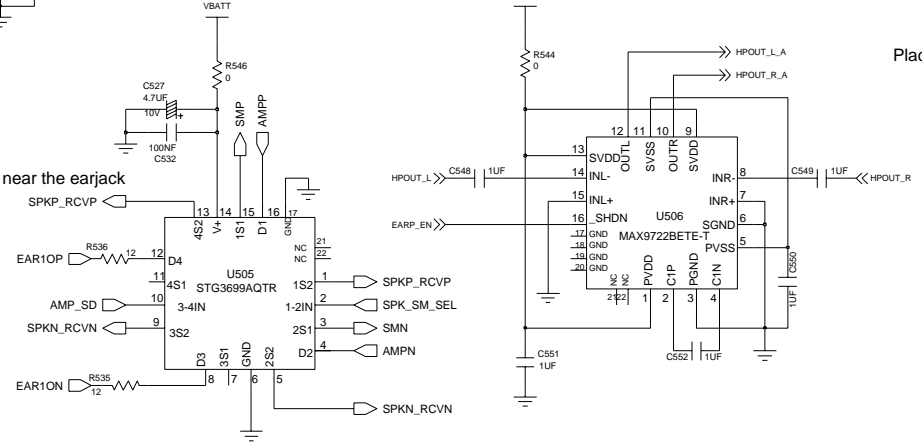
MIC PATH
Place near the MSM



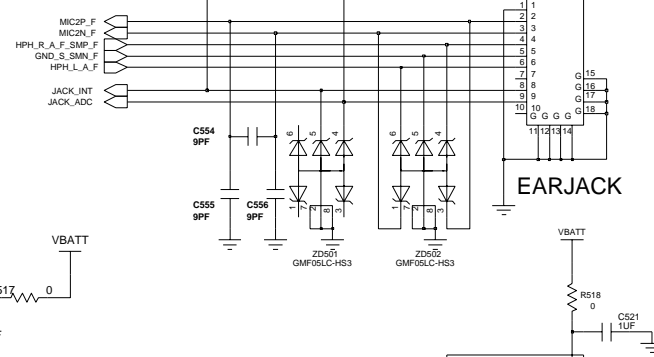
EARMIC PATH
Place near the MSM



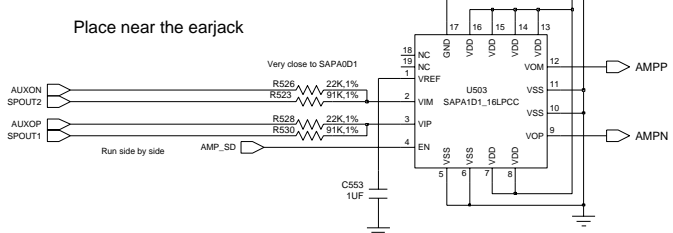
Place near the earjack



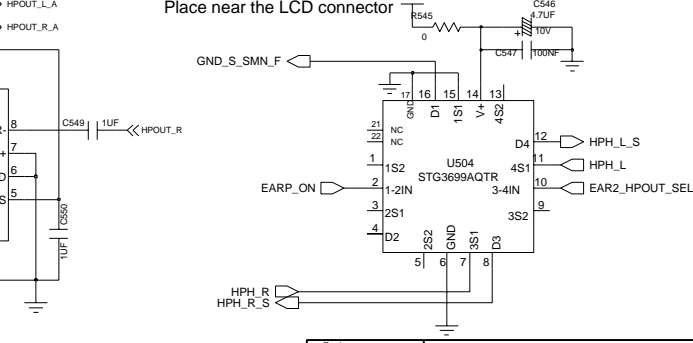
Place near the MSM



EARJACK

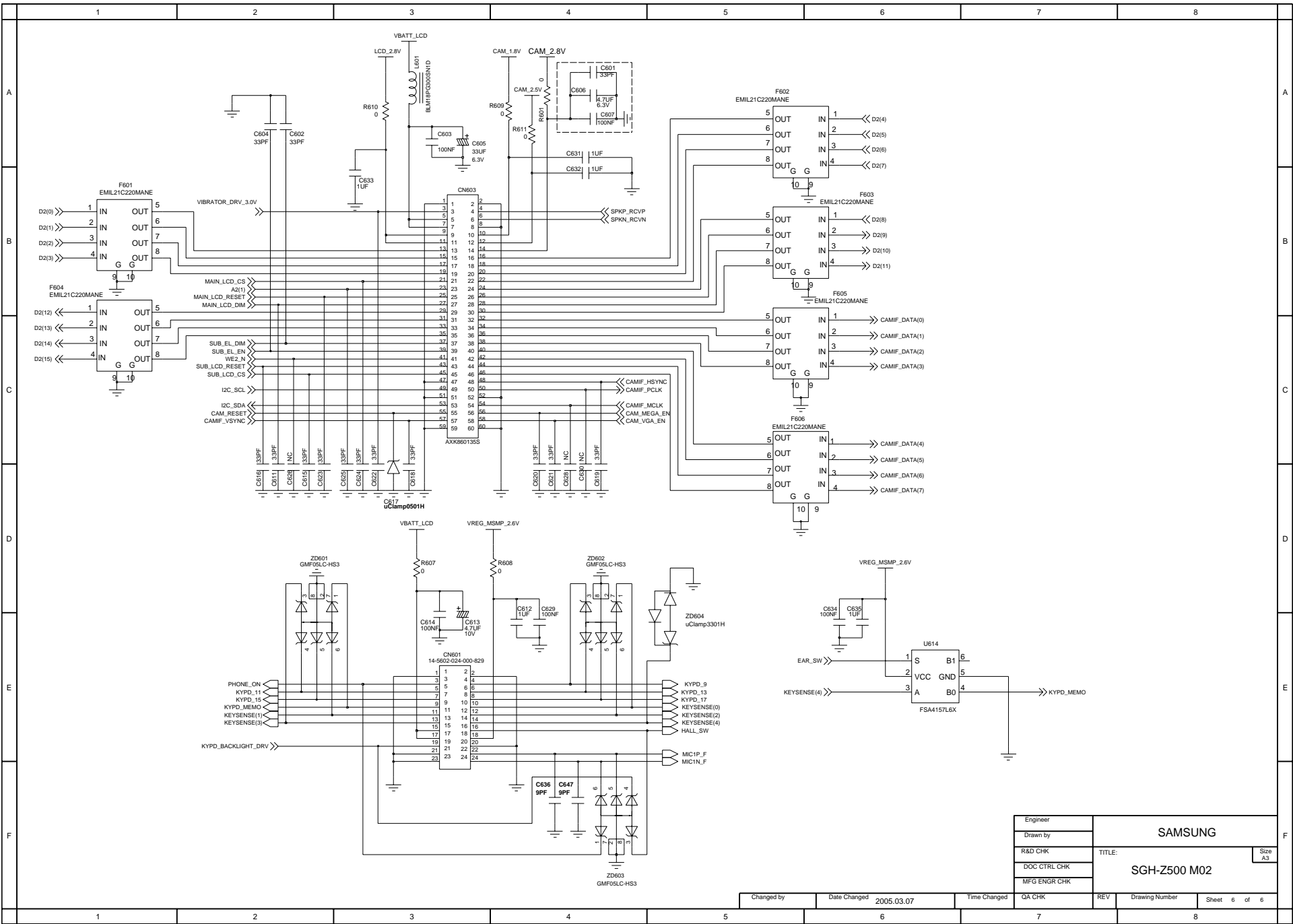


Place near the earjack



Place near the LCD connector

Engineer	SAMSUNG	
Drawn by		
R&D CHK	TITLE:	Size A3
DOC CTRL CHK	SGH-Z500 M02	
MFG ENGR CHK		
Changed by	Date Changed	Time Changed
QA CHK	REV	Drawing Number
		Sheet 5 of 6



Engineer	SAMSUNG	
Drawn by		
R&D CHK	TITLE:	Size A3
DOC CTRL CHK	SGH-Z500 M02	
MFG ENGR CHK		

Changed by	Date Changed	2005.03.07	Time Changed	QA CHK	REV	Drawing Number	Sheet 6 of 6
------------	--------------	------------	--------------	--------	-----	----------------	--------------