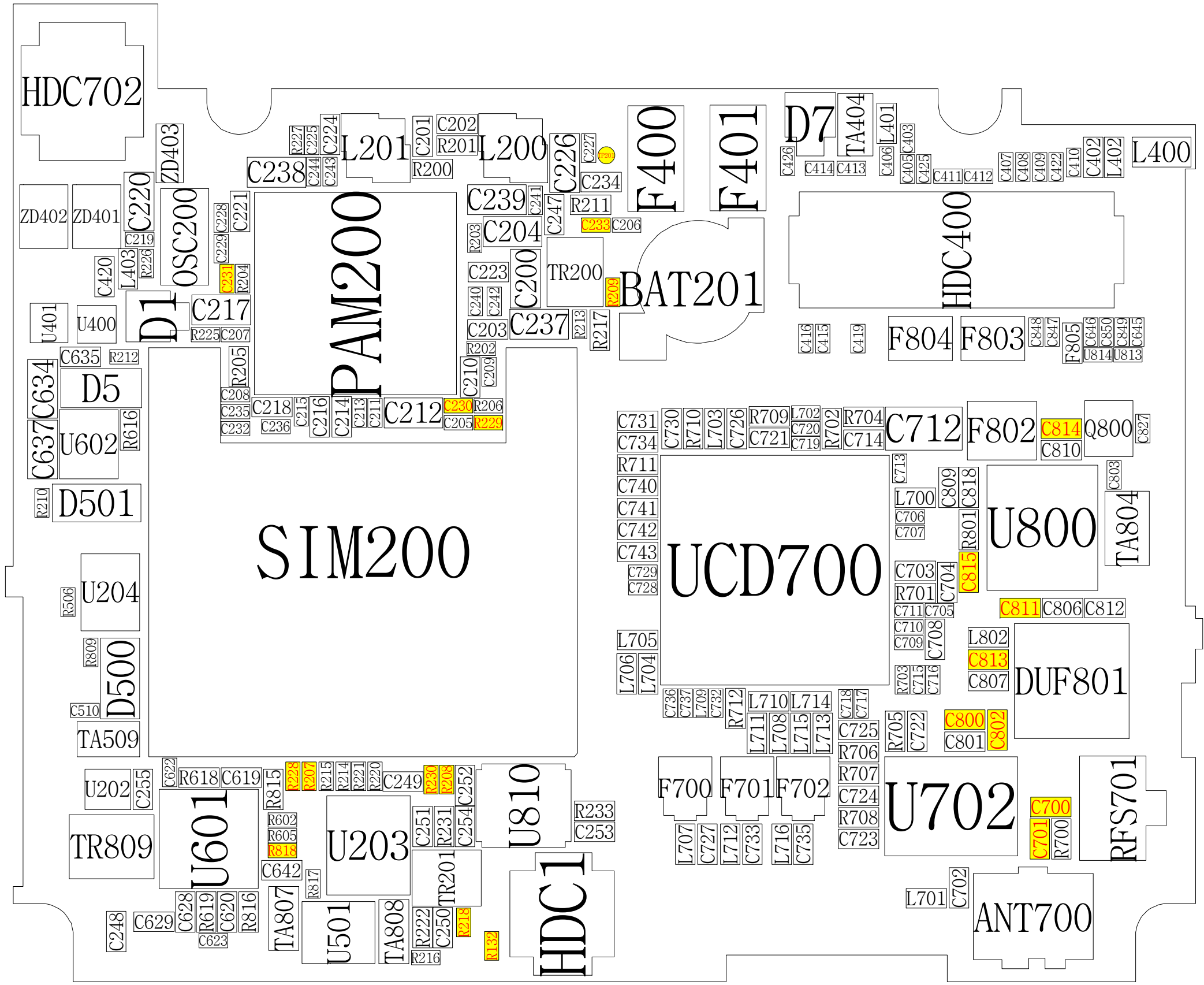
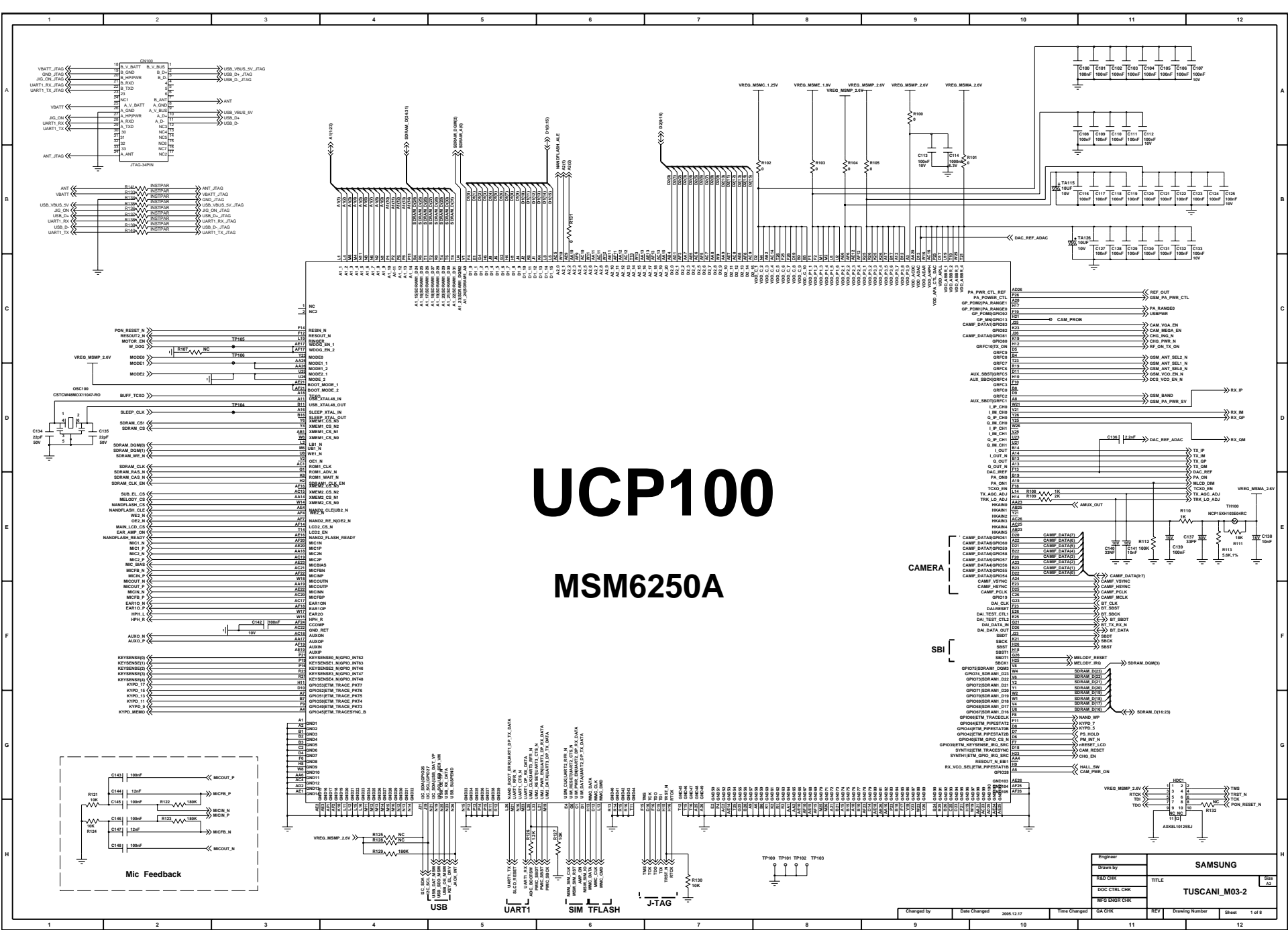


R136
R139
R137
R133
R135
R140
R138
R134

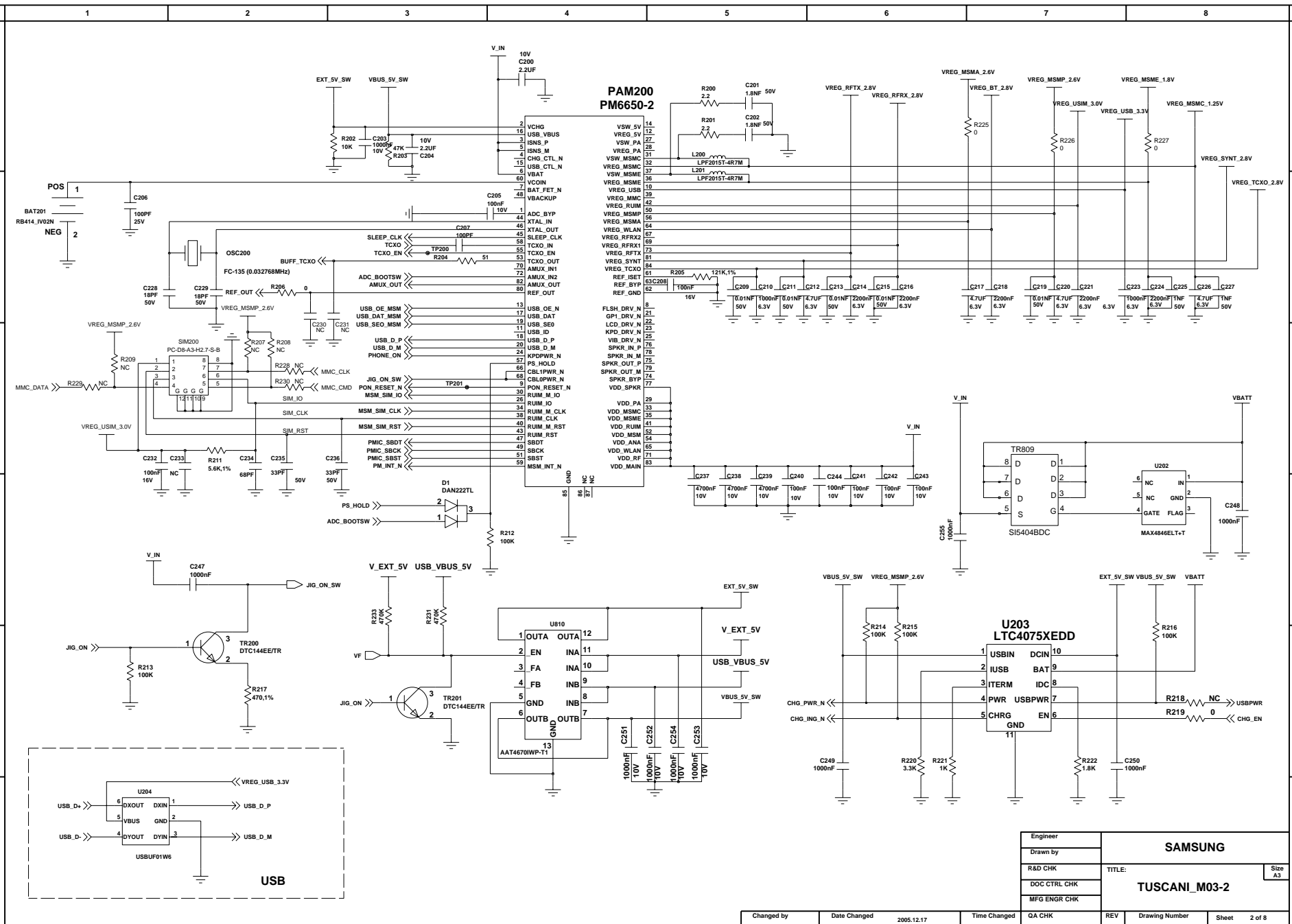




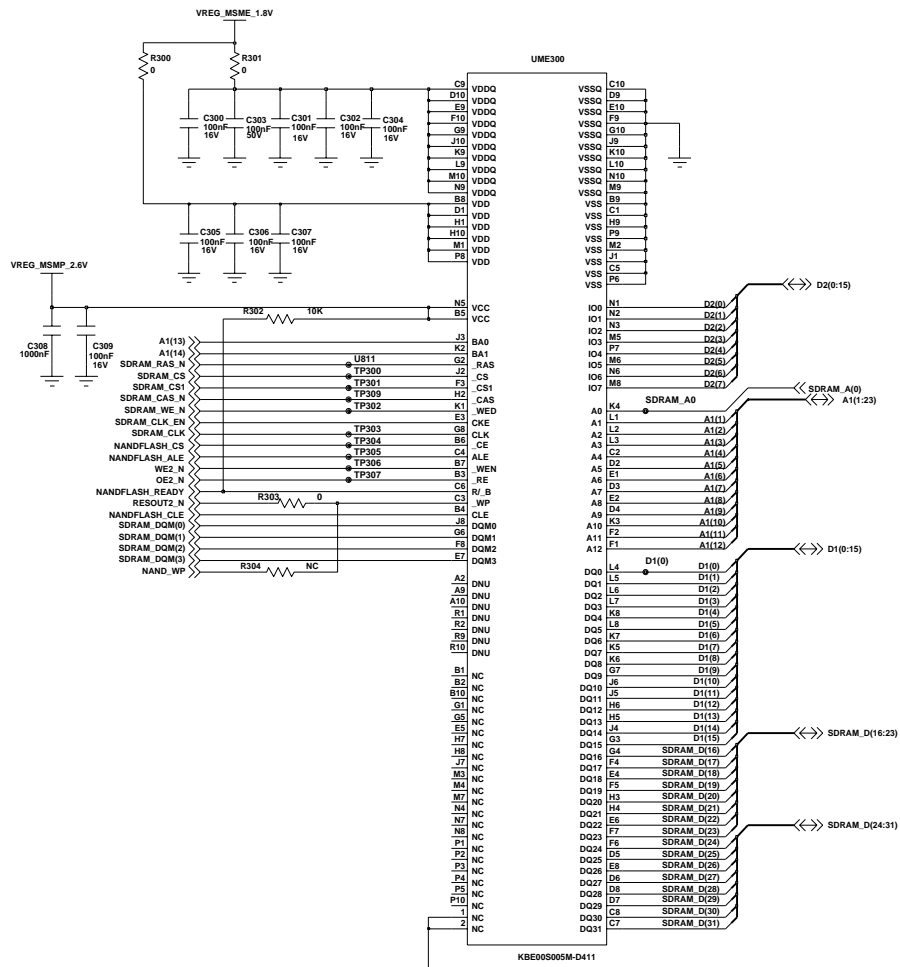
UCP100

MSM6250A

Engineer	SAMSUNG		
Drawn by	R&D_CK		
FILED_CHK	TITLE		
DOC_CTRL_CHK	TUSCANI_M03-2		
MFG_ENGR_CHK	REV		
Changed by	Date Changed	Time Changed	QA_CK
	2005.12.17		
			REV
			Drawing Number
			Sheet
			1 of 8

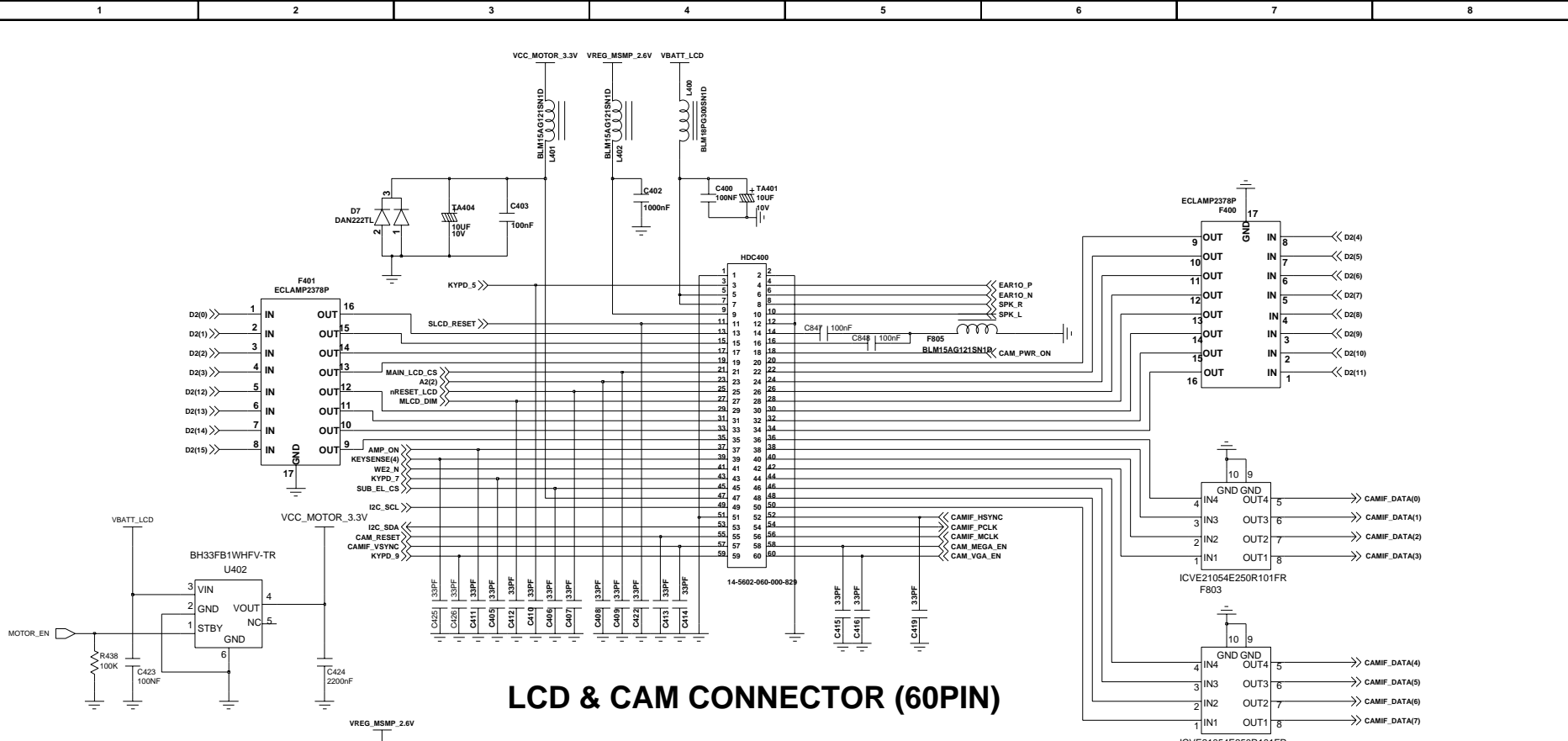


Engineer	SAMSUNG	
Drawn by		
R&D CHK	TITLE:	Size A3
DOC CTRL CHK	TUSCANI_M03-2	
MFG ENGR CHK		
Changed by	Date Changed	2005.12.17
Time Changed	QA CHK	
REV	Drawing Number	Sheet 2 of 8

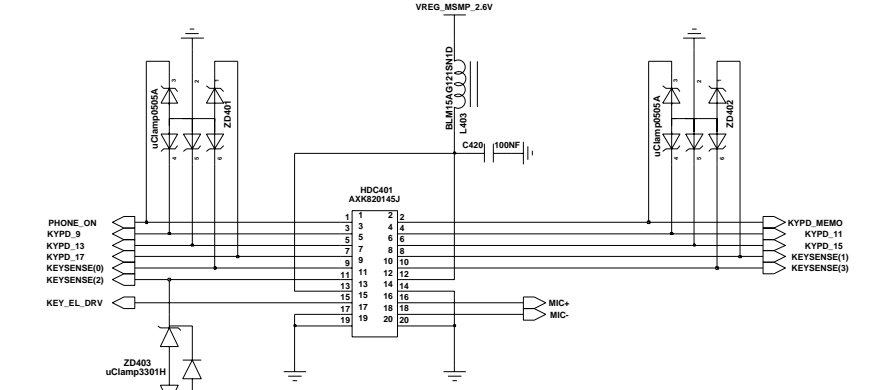


Engineer	SAMSUNG		Size
Drawn by			A3
R&D CHK			TITLE:
DOC CTRL CHK			TUSCANI_M03-2
MFG ENGR CHK			

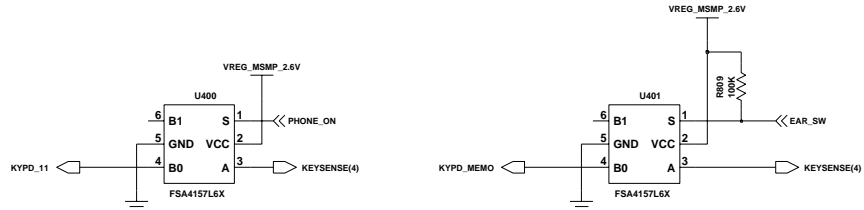
Changed by	Date Changed	2005.12.17	Time Changed	QA CHK	REV	Drawing Number	Sheet	3 of 8
------------	--------------	------------	--------------	--------	-----	----------------	-------	--------



LCD & CAM CONNECTOR (60PIN)

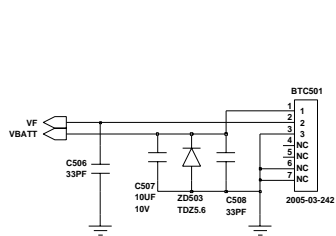
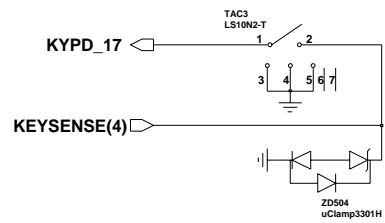
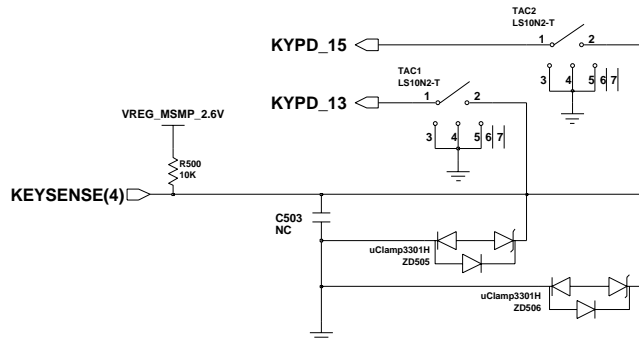
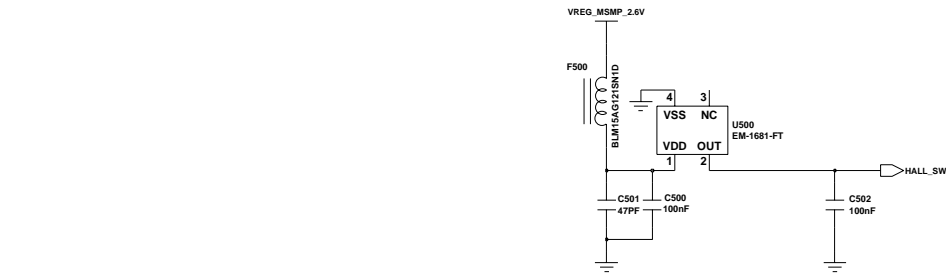


KEY CONNECTOR

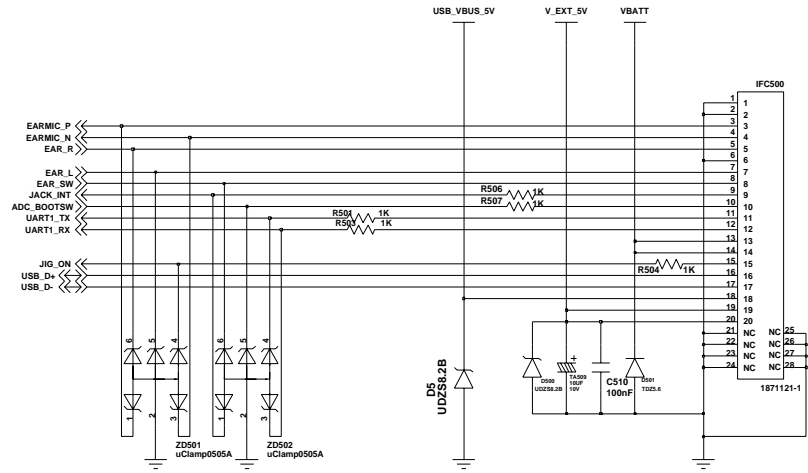


END KEY

Engineer	SAMSUNG		
Drawn by			
R&D CHK	TITLE:	Size A3	
DOC CTRL CHK	TUSCANI_M03-2		
MFG ENGR CHK			
QA CHK	REV	Drawing Number	Sheet 4 of 8

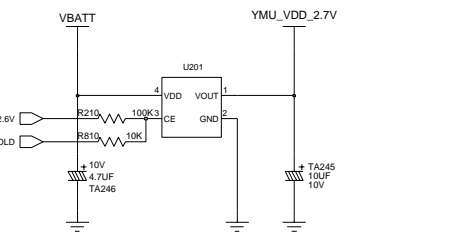
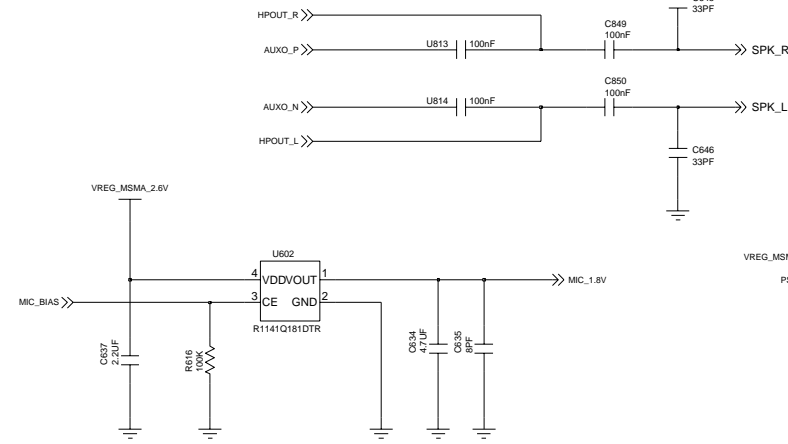
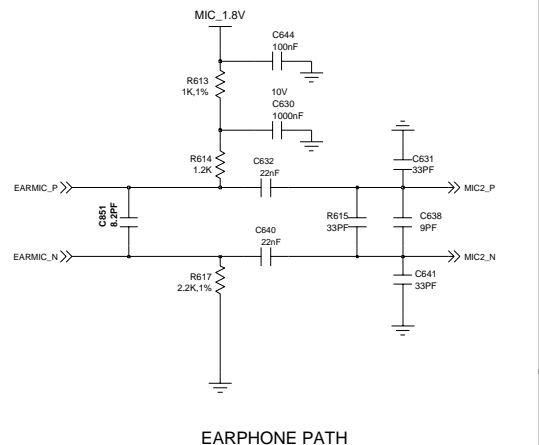
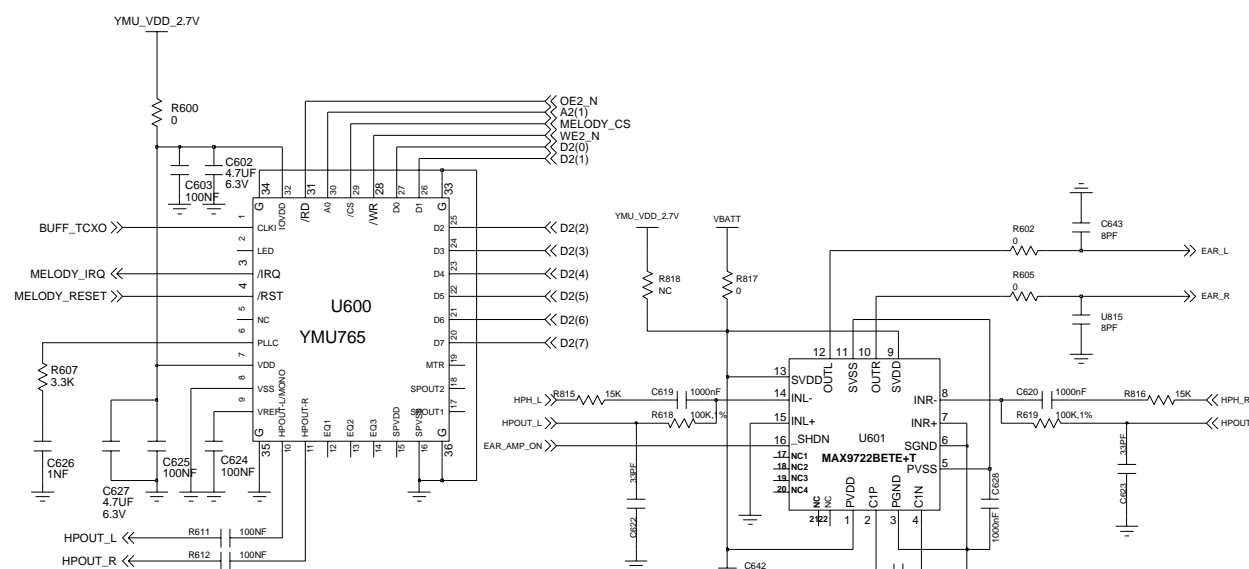
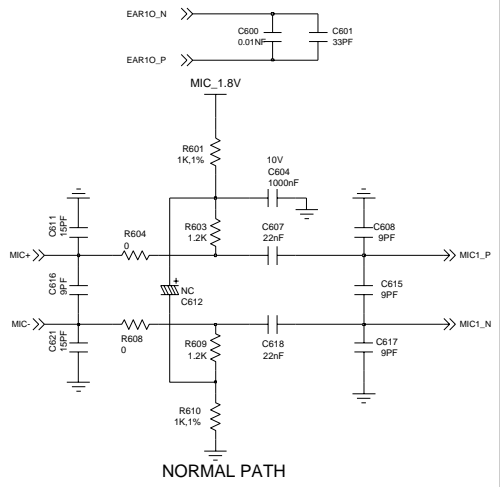


BATTERY CONNECTOR

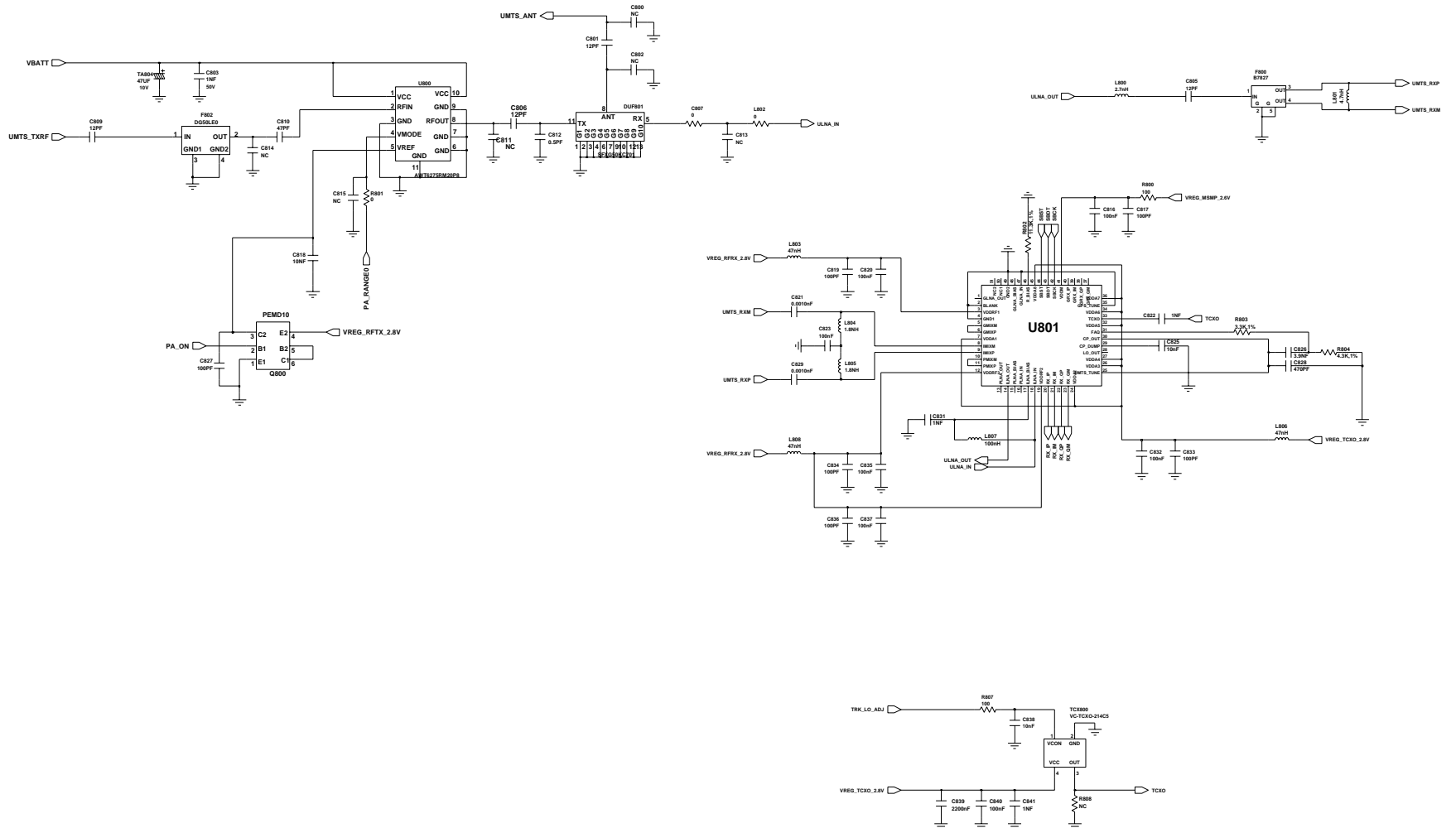


IF CONNECTOR

Engineer	SAMSUNG	
Drawn by		
R&D CHK	TITLE:	Size A3
DOC CTRL CHK	TUSCANI_M03-2	
MFG ENGR CHK		



Engineer	SAMSUNG	
Drawn by		
R&D CHK	TITLE:	Size A3
DOC CTRL CHK	TUSCANI_M03-2	
MFG ENGR CHK		
QA CHK	REV	Sheet 6 of 8
Changed by	Date Changed 2005.12.17	Time Changed
	QA CHK	Drawing Number



Engineer	SAMSUNG	
Drawn by		
FILED CHK	TITLE	1004
DOC CTRL CHK	TUSCANI_M03-2	
MFG ENDR CHK		