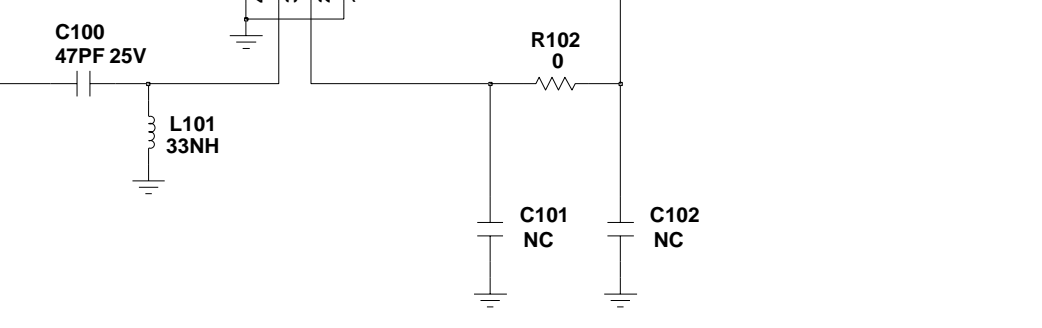


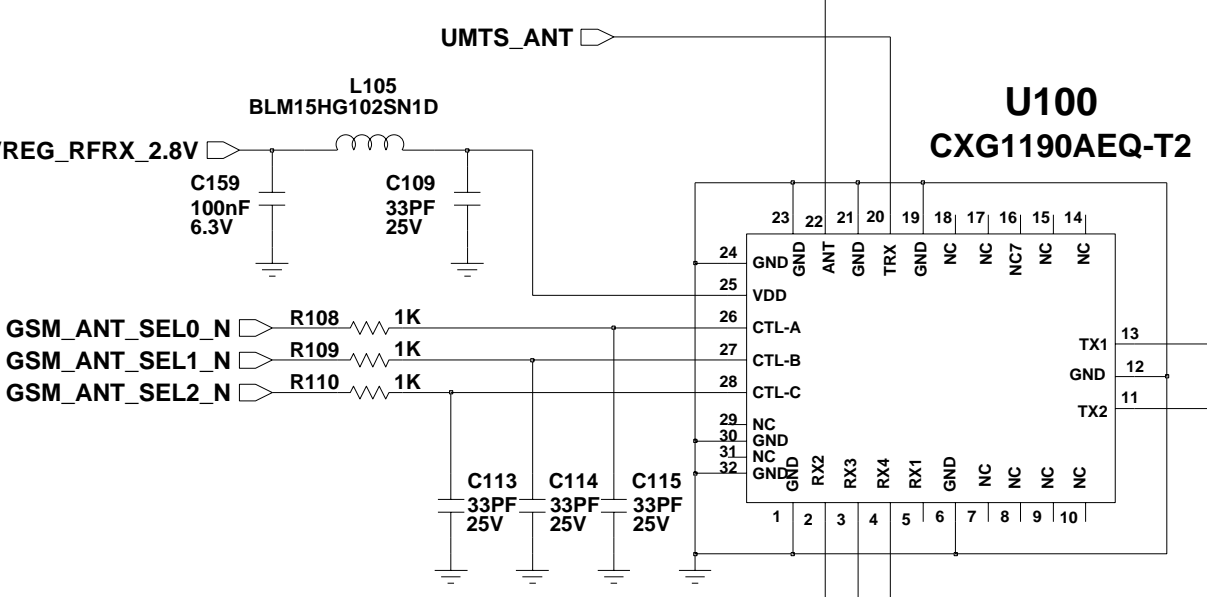
### RF CONNECT

ANT100  
 ANT101

RFS100  
 KMS-512



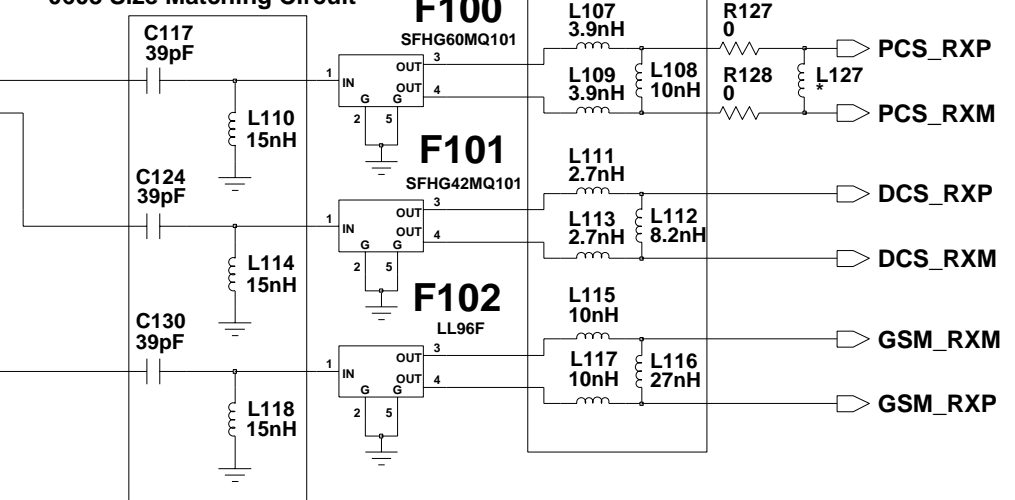
### RF SWITCH



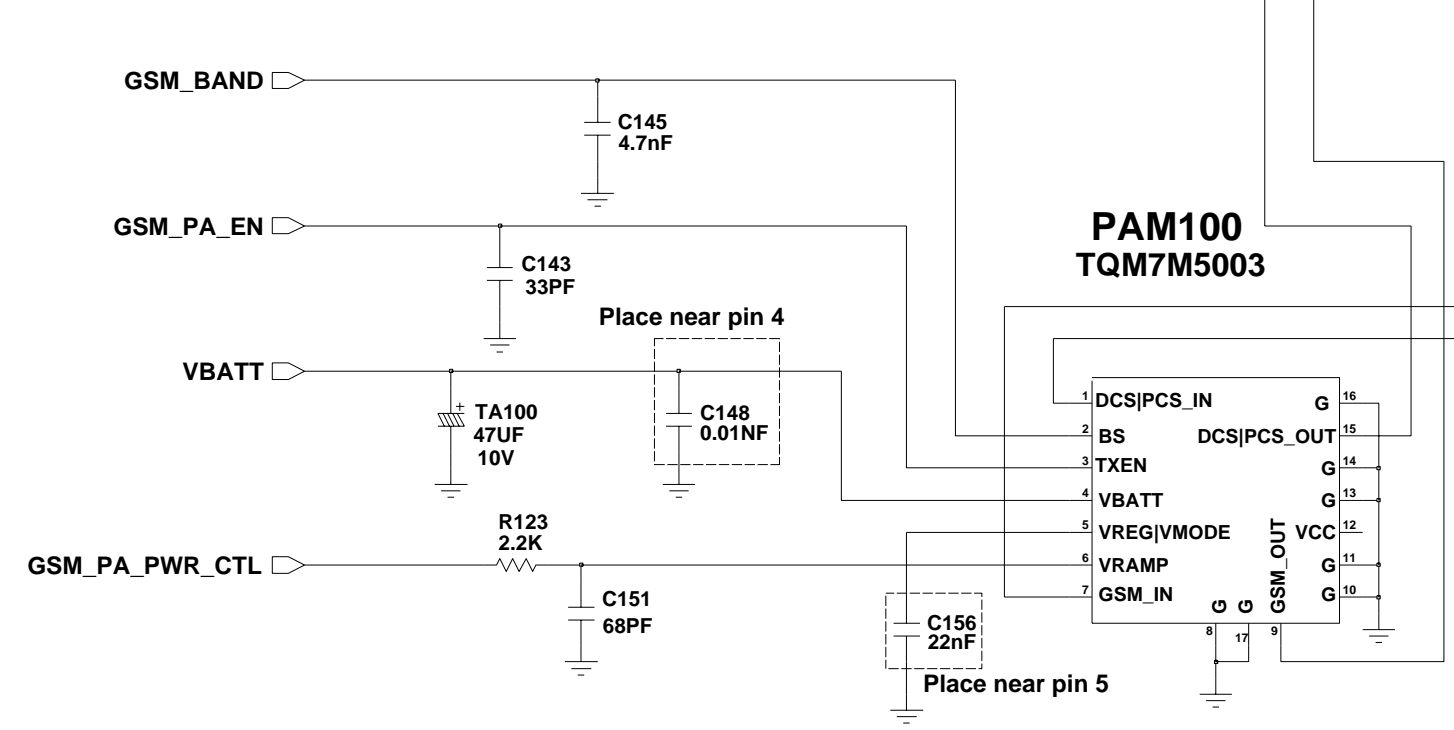
CXG1190AEQ				
MODE	GSM900 TX / RX	GSM1800 TX / RX	GSM1900 TX / RX	UMTS 2100 RX / TX
SELO	1/0	1/0	1/0	1
SEL1	1/0	0/1	0/1	0
SEL2	0/1	0/1	0/0	1

0603 Size Matching Circuit

0603 Size Matching Circuit

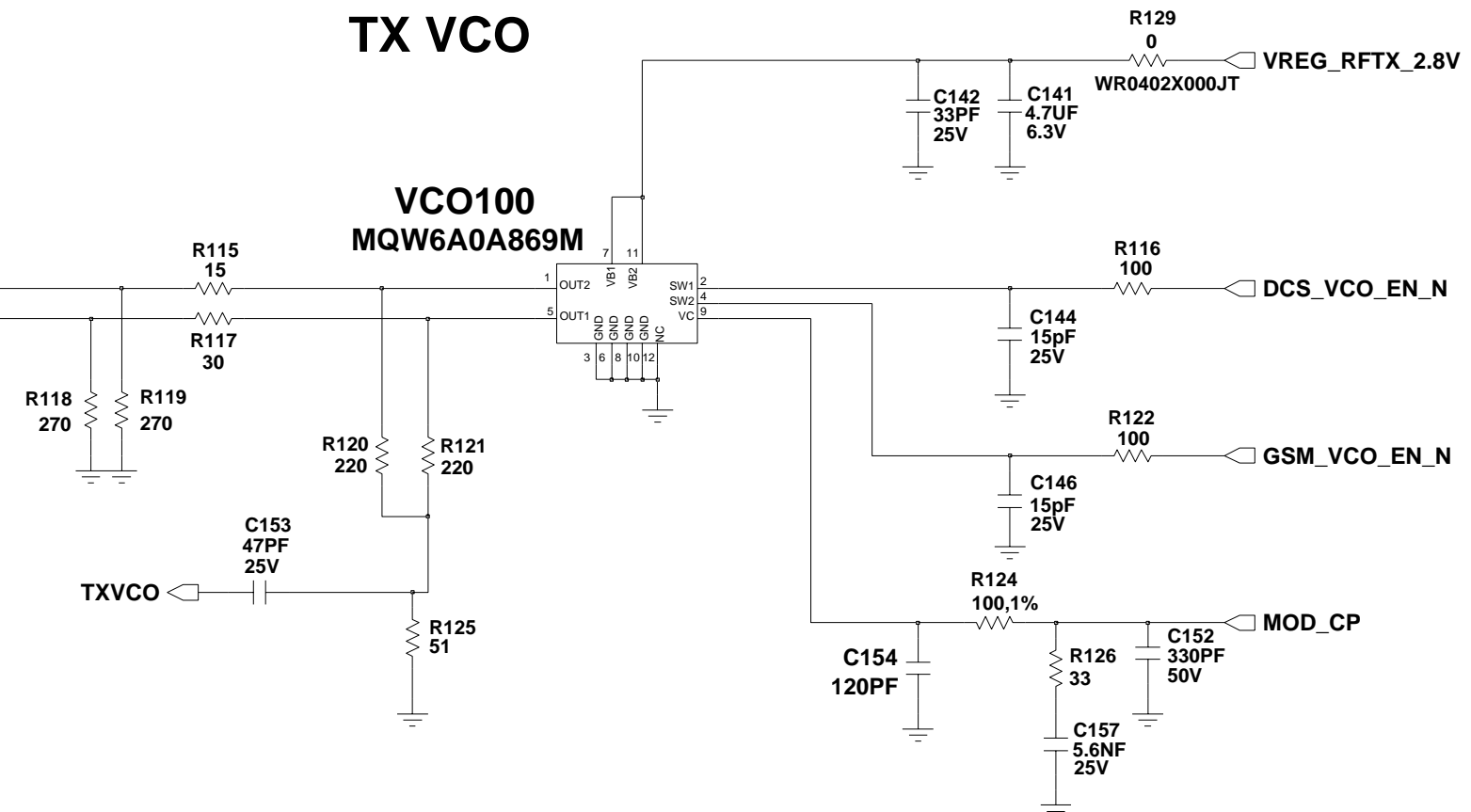


### GSM PAM

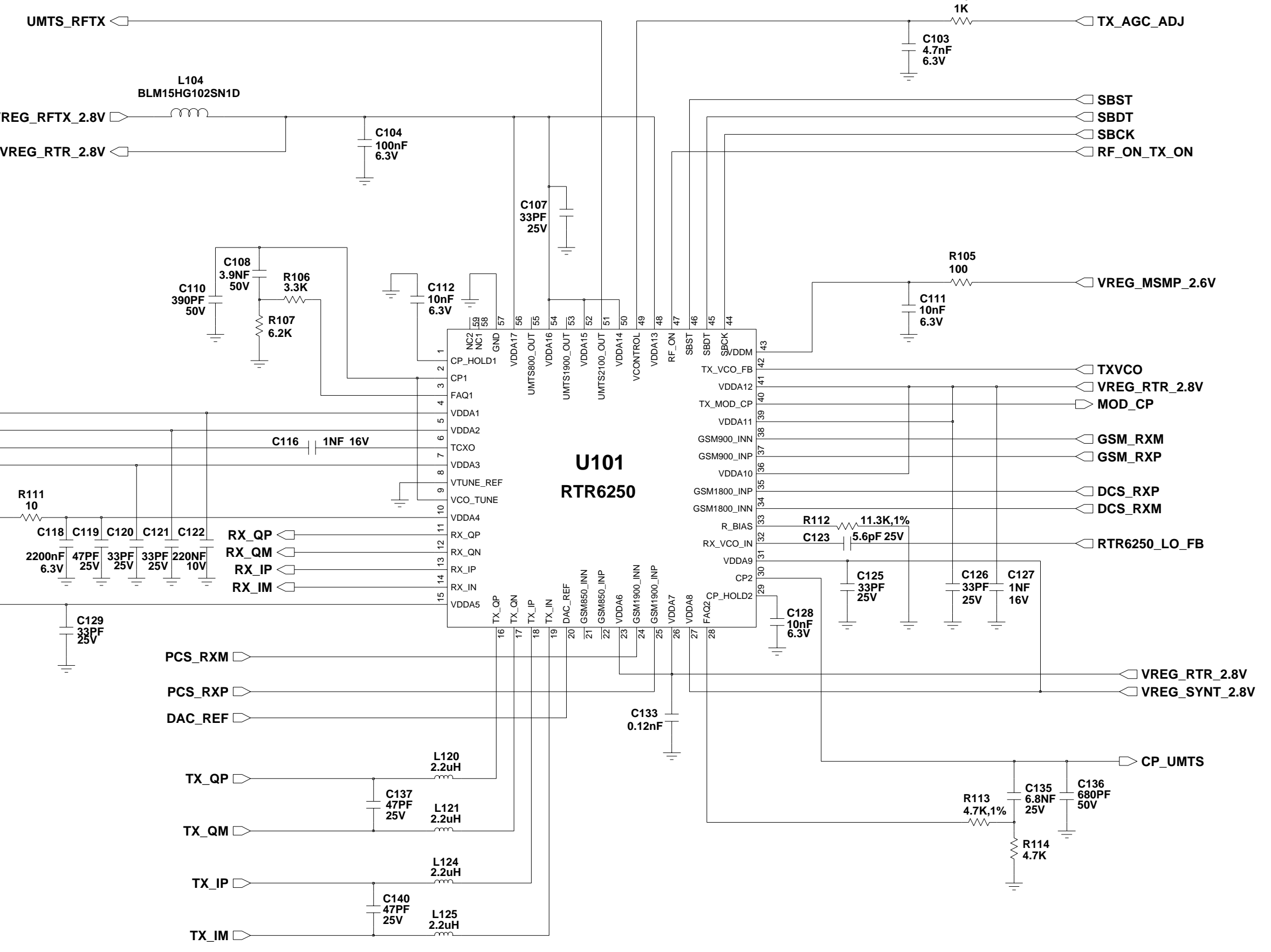


### TX VCO

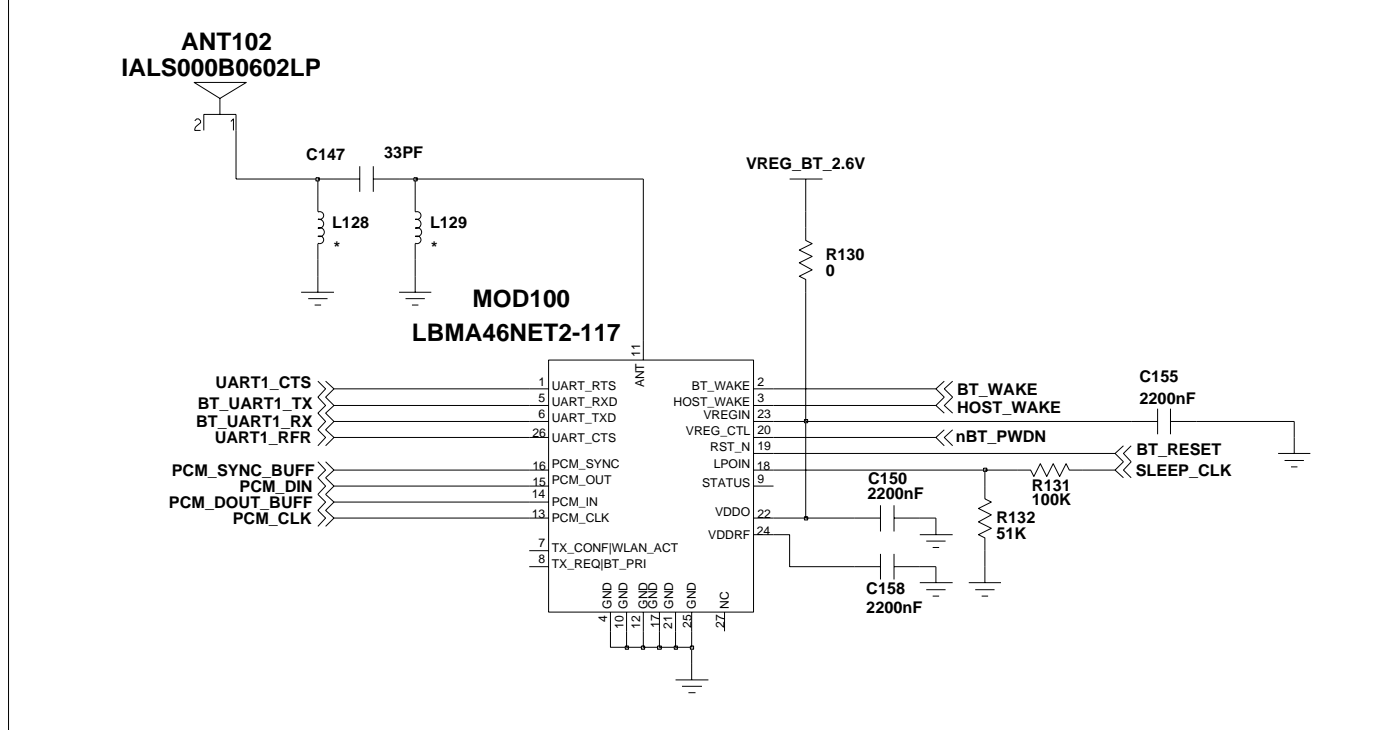
VCO100  
 MQW6A0A869M



MQW6A0A869M		
MODE	GSM900	GSM1800/1900
GSM_VCO_EN_N	0	1
DCS_VCO_EN_N	1	0
OFF	1	1



### BLUETOOTH

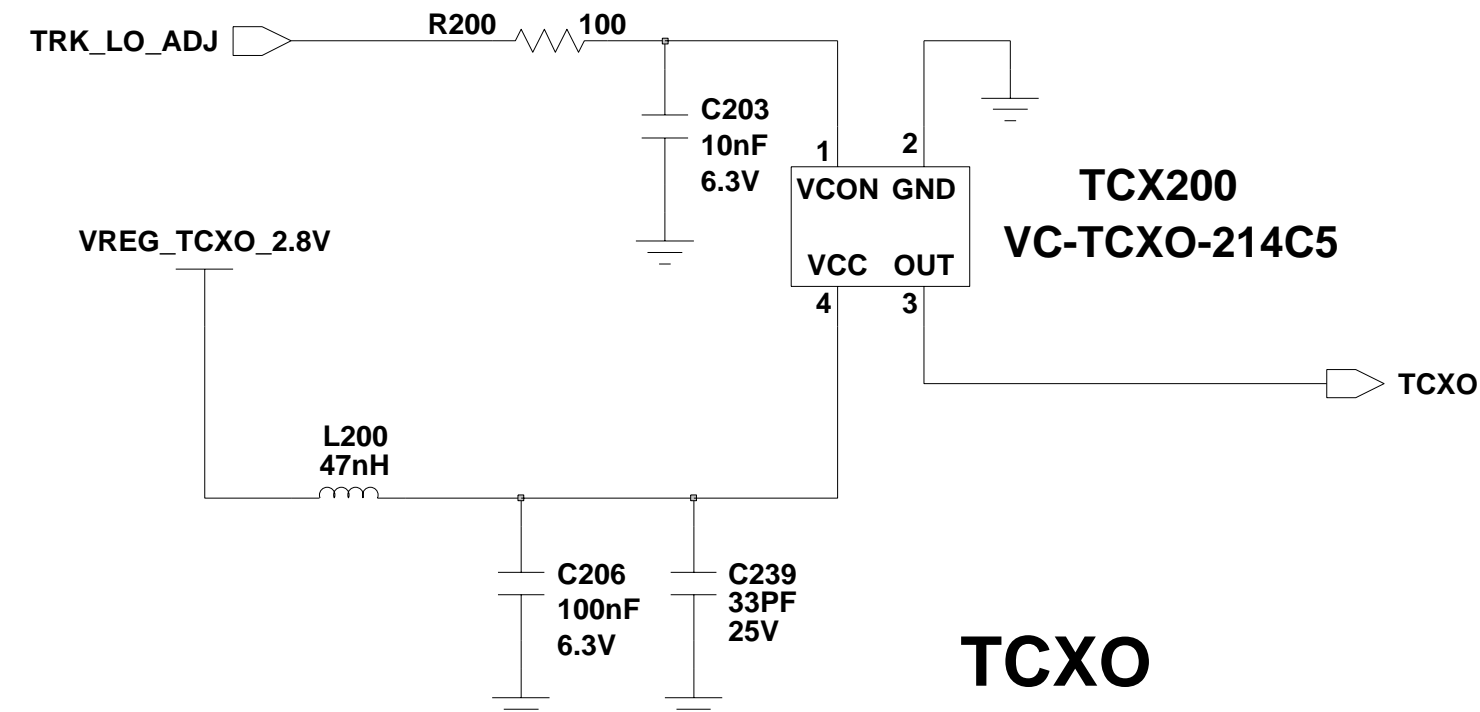
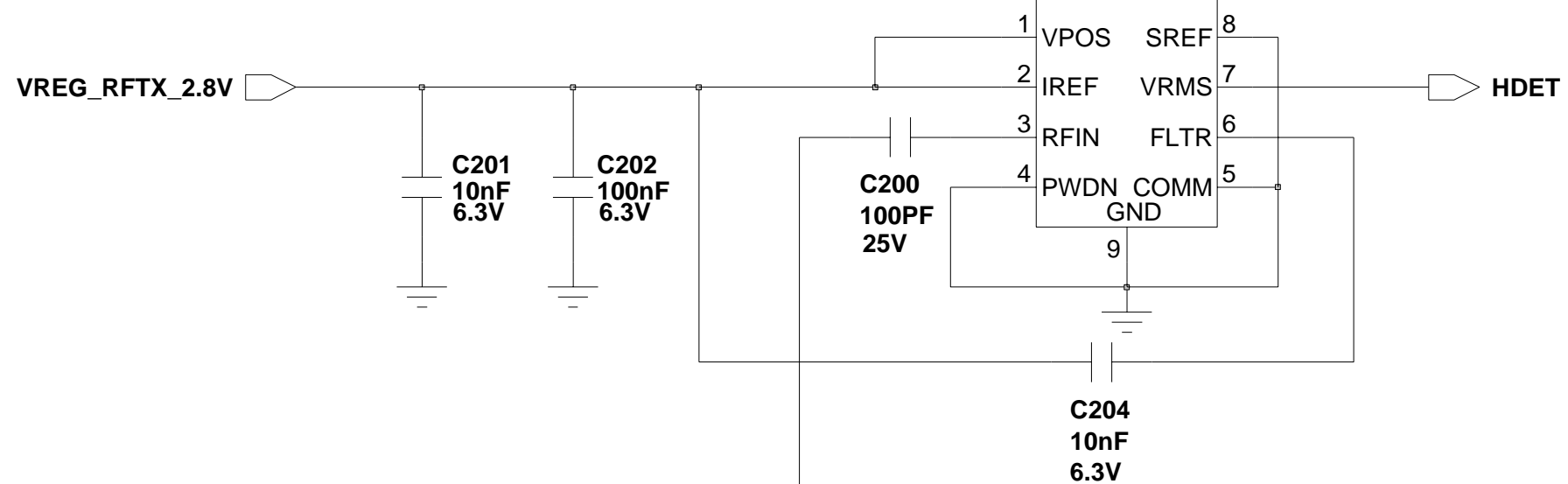


**SAMSUNG PROPRIETARY**

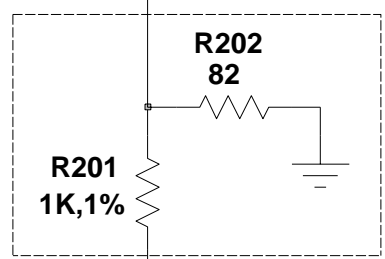
THIS DOCUMENT CONTAINS CONFIDENTIAL PROPRIETARY INFORMATION THAT IS SAMSUNG ELECTRONICS CO'S PROPERTY. DO NOT DISCLOSE TO OR DUPLICATE FOR OTHERS EXCEPT AS AUTHORIZED BY SAMSUNG.

**UMTS HDET**

**U200  
AD45030-REEL**



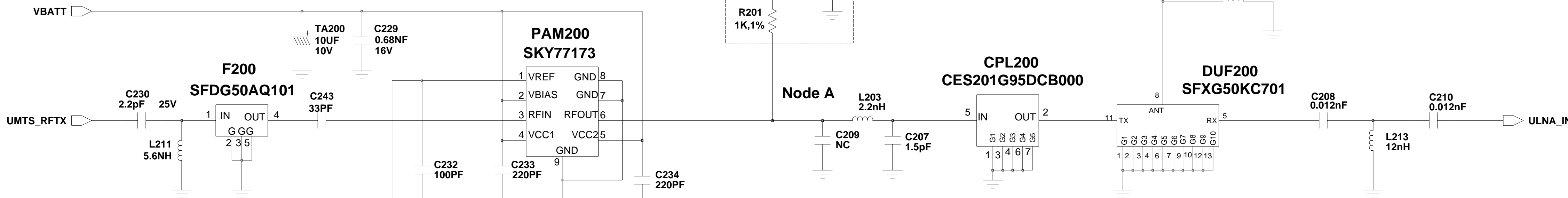
Place near node A



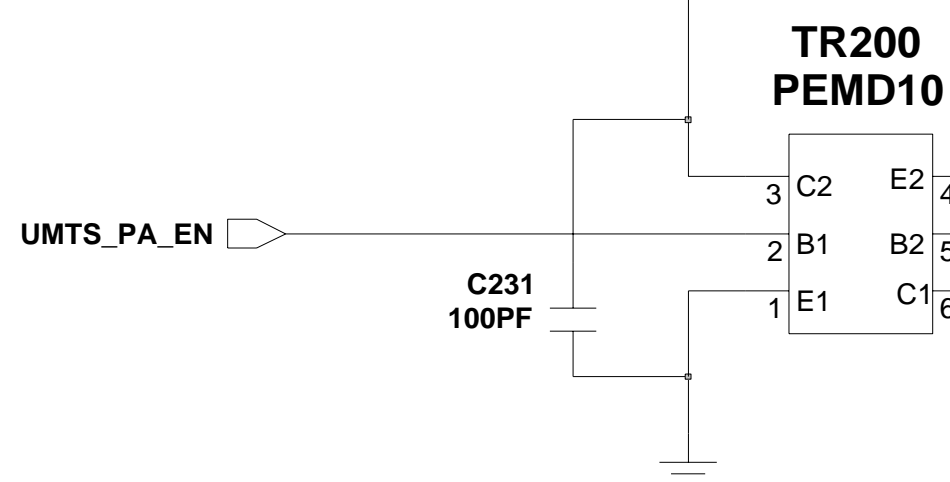
Node A

**CPL200  
CES201G95DCB000**

**DUF200  
SFXG50KC701**

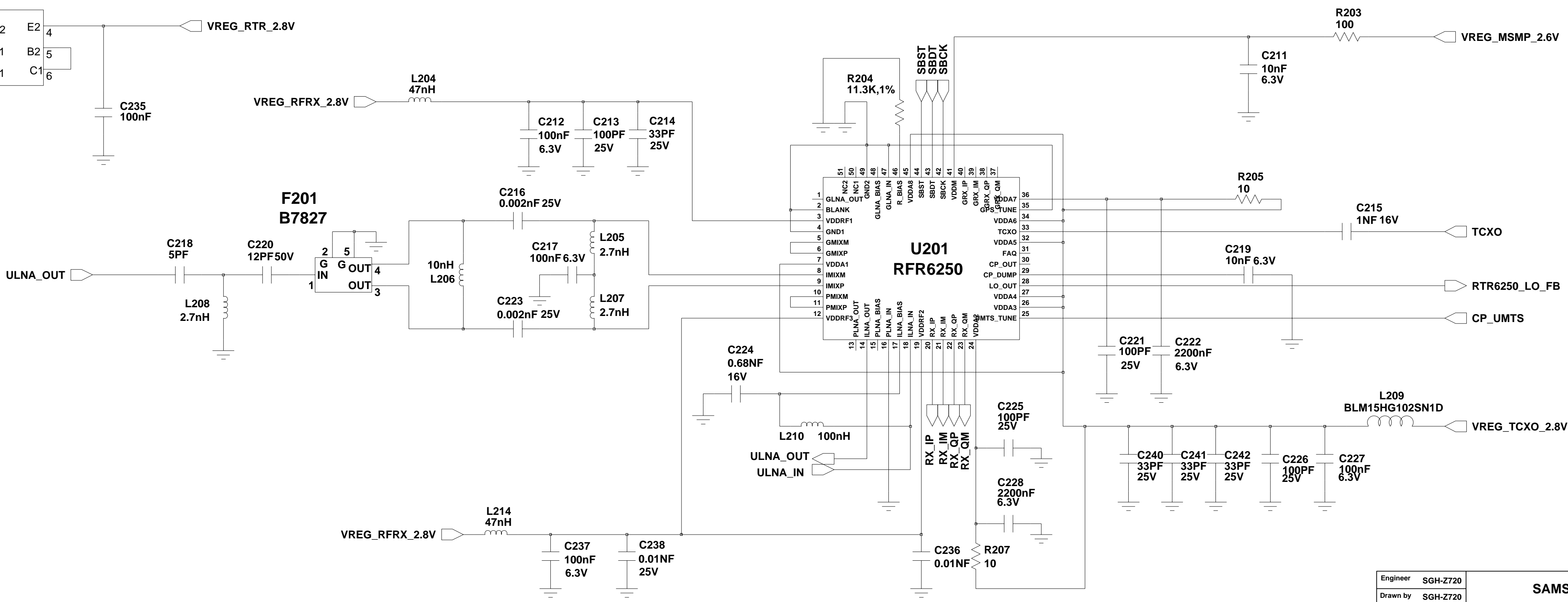


**UMTS DUPLEX**



**F201  
B7827**

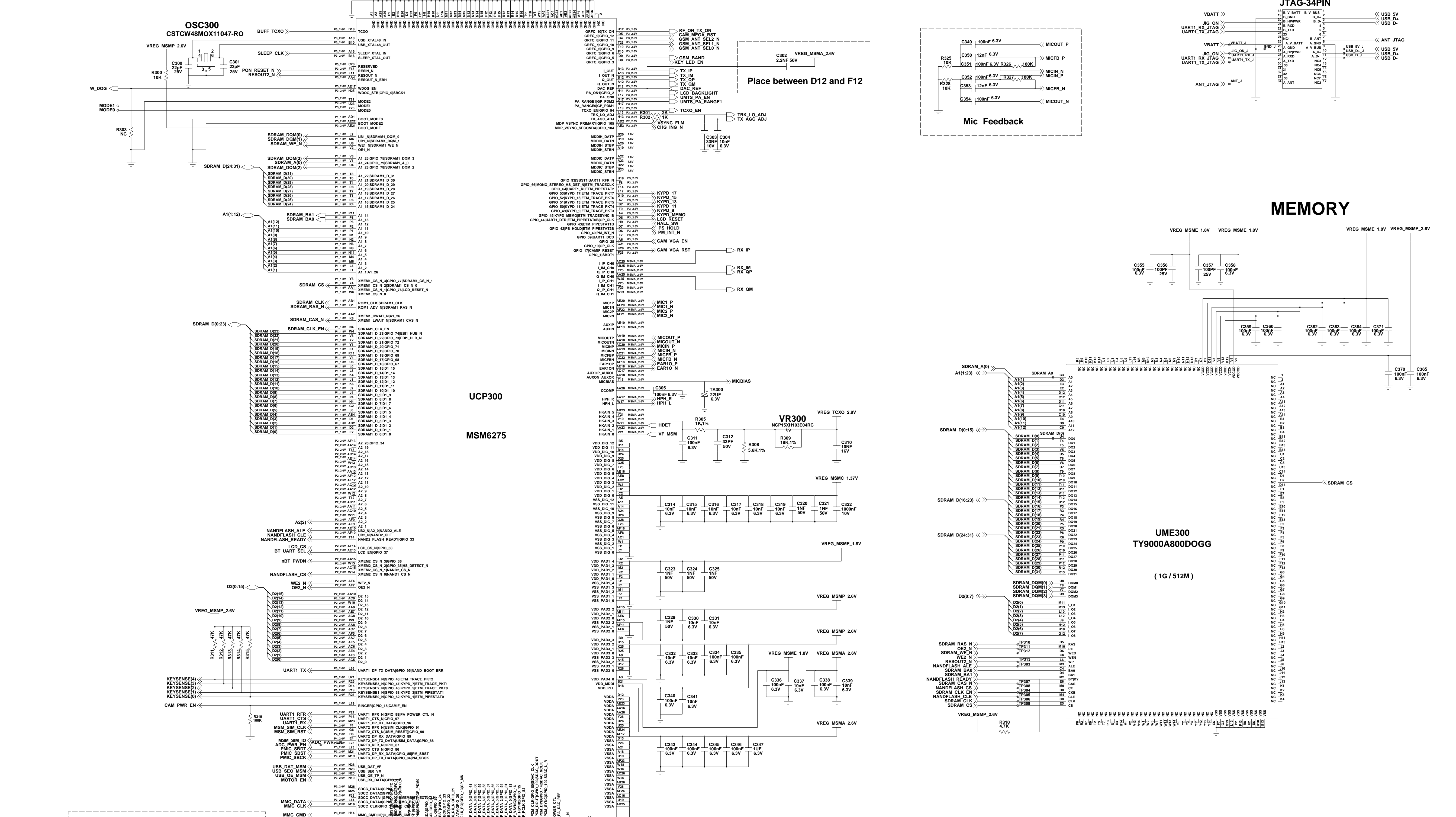
**U201  
RFR6250**



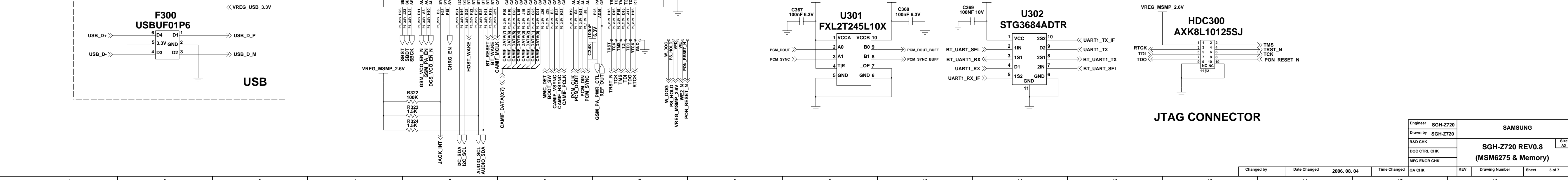
Engineer	SGH-Z720	<b>SAMSUNG</b> TITLE <b>SGH-Z720 REV0.8</b> <b>(RF - UMTS)</b>	Size	A3
Drawn by	SGH-Z720		REV	1
R&D CHK			Drawing Number	
DOC CTRL CHK			Sheet	2 of 7
MFG ENGR CHK				

Changed by	Date Changed	2006.08.04	Time Changed	
------------	--------------	------------	--------------	--

# MODEM



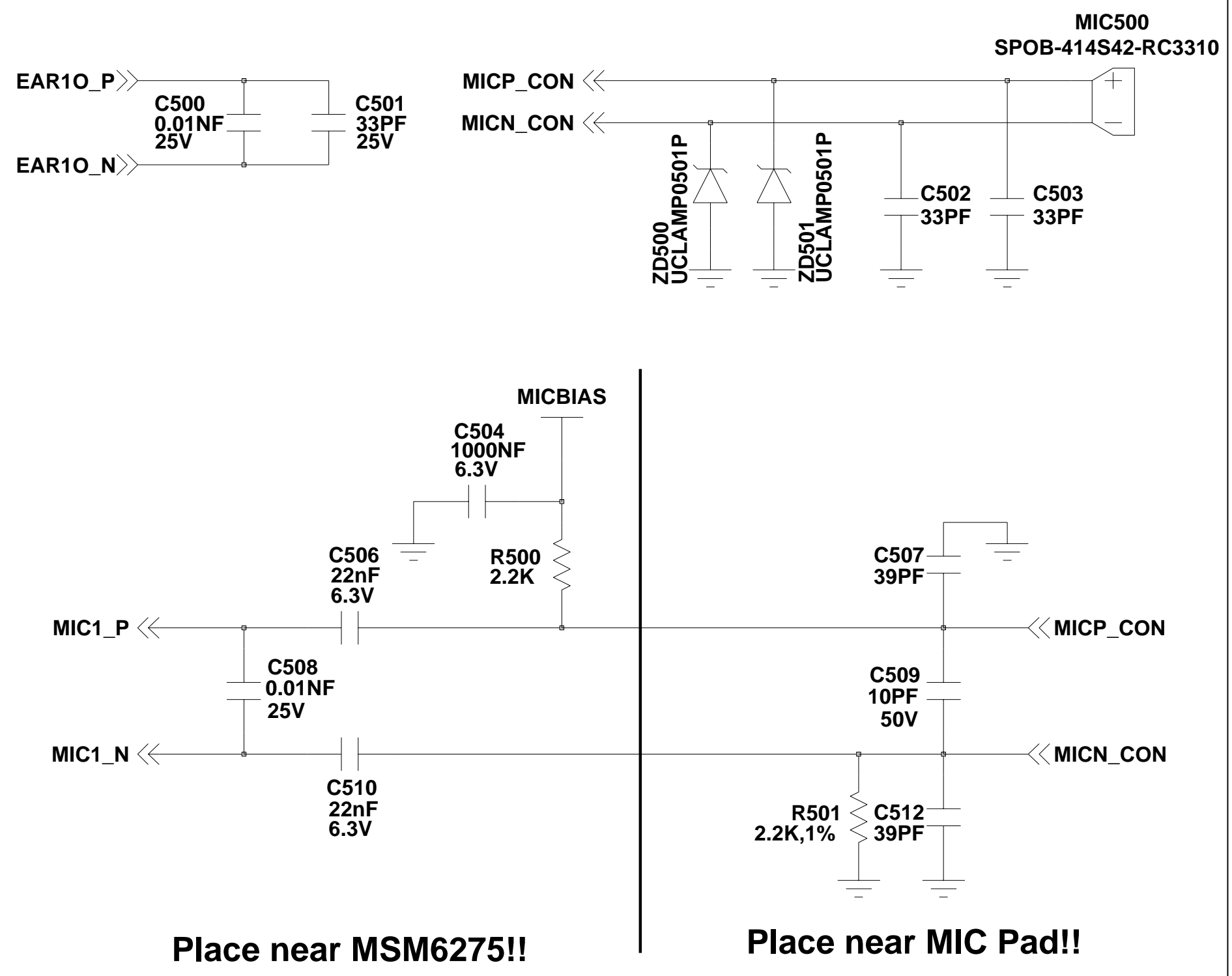
# MEMORY



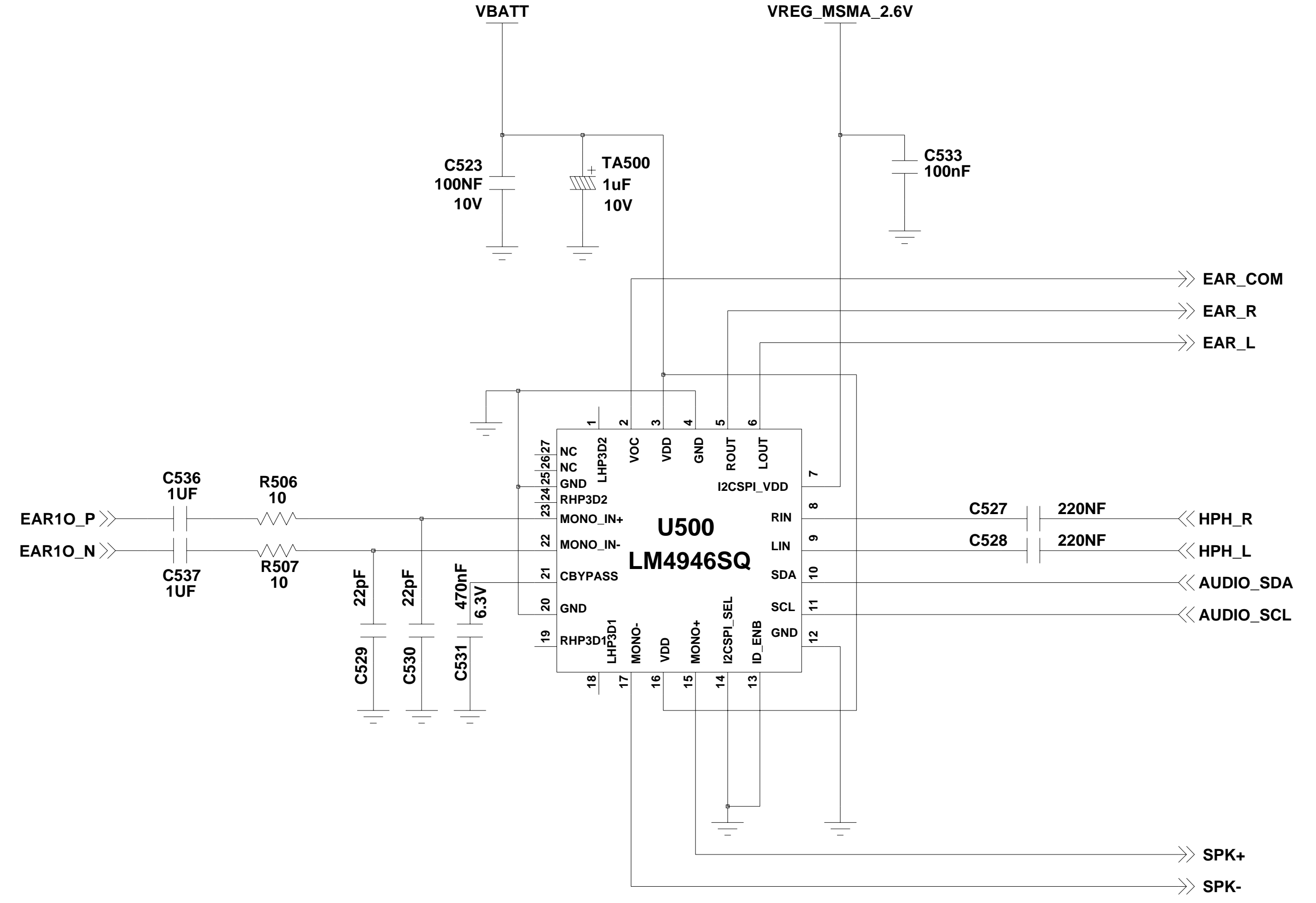
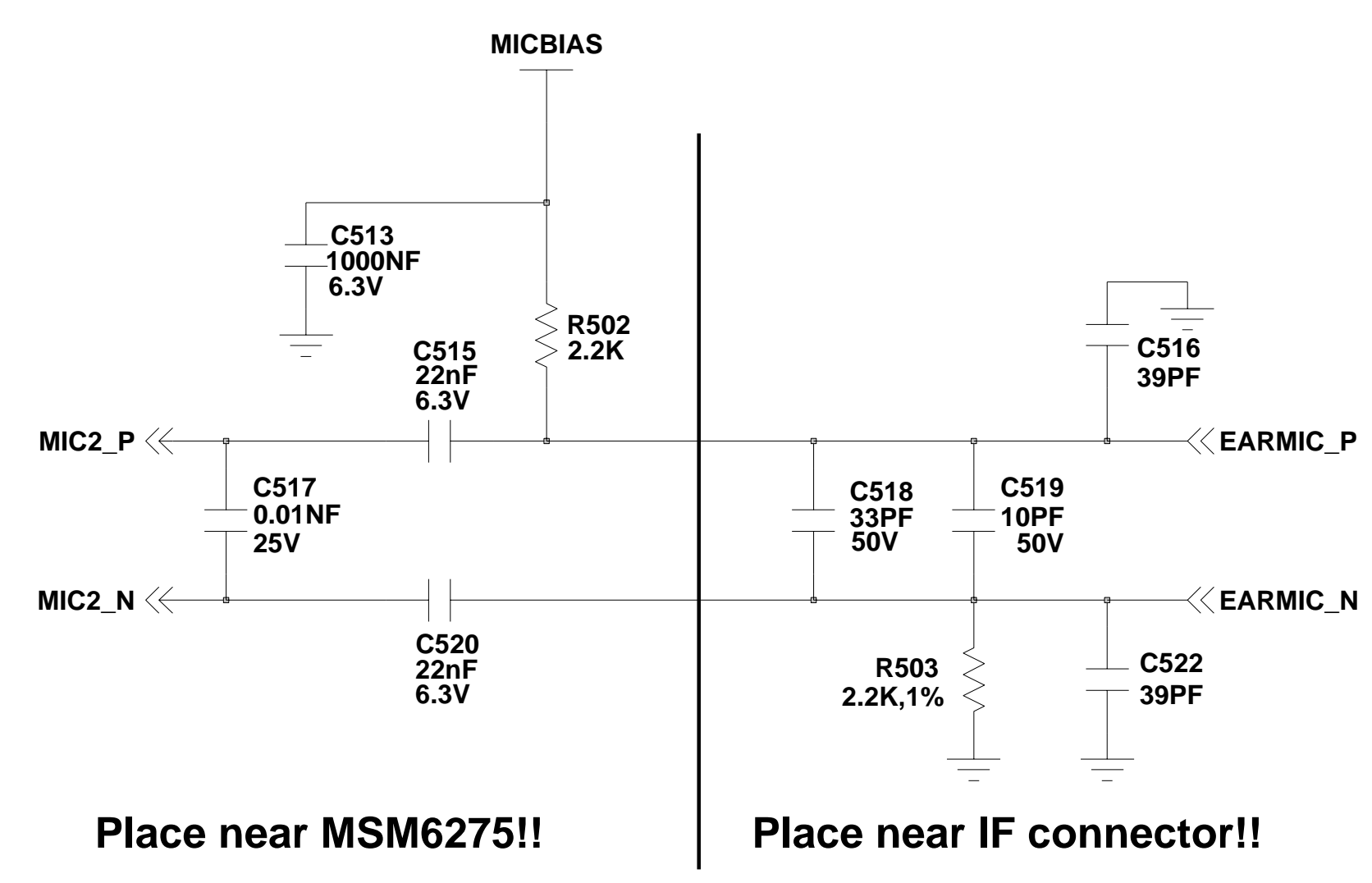


**SAMSUNG PROPRIETARY**  
 THIS DOCUMENT CONTAINS CONFIDENTIAL  
 PROPRIETARY INFORMATION THAT IS  
 SAMSUNG ELECTRONICS CO.'S PROPERTY.  
 DO NOT DISCLOSE TO OR DUPLICATE FOR OTHERS  
 EXCEPT AS AUTHORIZED BY SAMSUNG.

## NORMAL PATH



## EARPHONE PATH

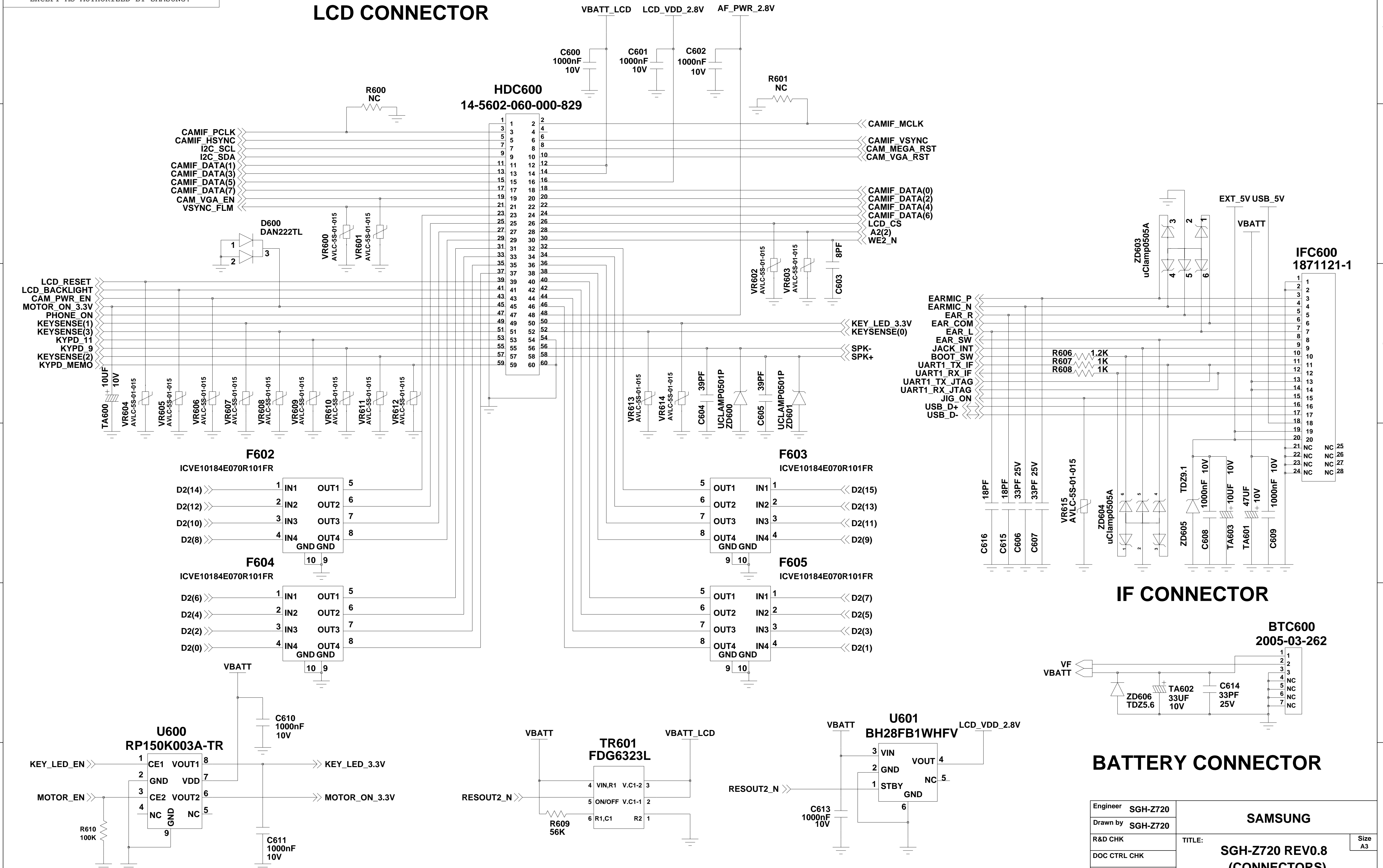


## AUDIO AMP / SWITCH

Engineer	SGH-Z720	<b>SAMSUNG</b>						
Drawn by	SGH-Z720							
R&D CHK		TITLE: <b>SGH-Z720 REV0.8</b> <b>(AUDIO Part)</b>	Size A3					
DOC CTRL CHK								
MFG ENGR CHK								
Changed by	Date Changed	2006. 08. 04	Time Changed	QA CHK	REV	Drawing Number	Sheet	5 of 7

**SAMSUNG PROPRIETARY**  
 THIS DOCUMENT CONTAINS CONFIDENTIAL  
 PROPRIETARY INFORMATION THAT IS  
 SAMSUNG ELECTRONICS CO.'S PROPERTY.  
 DO NOT DISCLOSE TO OR DUPLICATE FOR OTHERS  
 EXCEPT AS AUTHORIZED BY SAMSUNG.

# LCD CONNECTOR



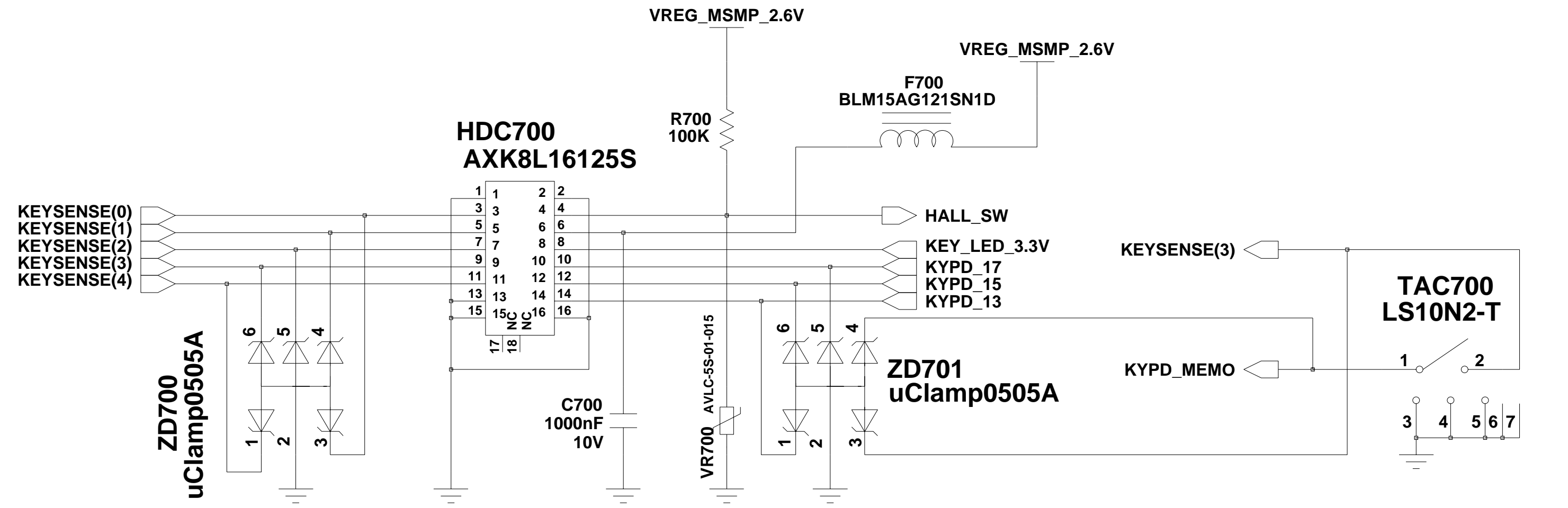
# BATTERY CONNECTOR

Engineer	SGH-Z720	<b>SAMSUNG</b>	
Drawn by	SGH-Z720		
R&D CHK		TITLE:	<b>SGH-Z720 REV0.8 (CONNECTORS)</b>
DOC CTRL CHK		REV	Size A3
MFG ENGR CHK		Drawing Number	Sheet 6 of 7

Changed by	Date Changed	2006. 08. 04	Time Changed	QA CHK
------------	--------------	--------------	--------------	--------

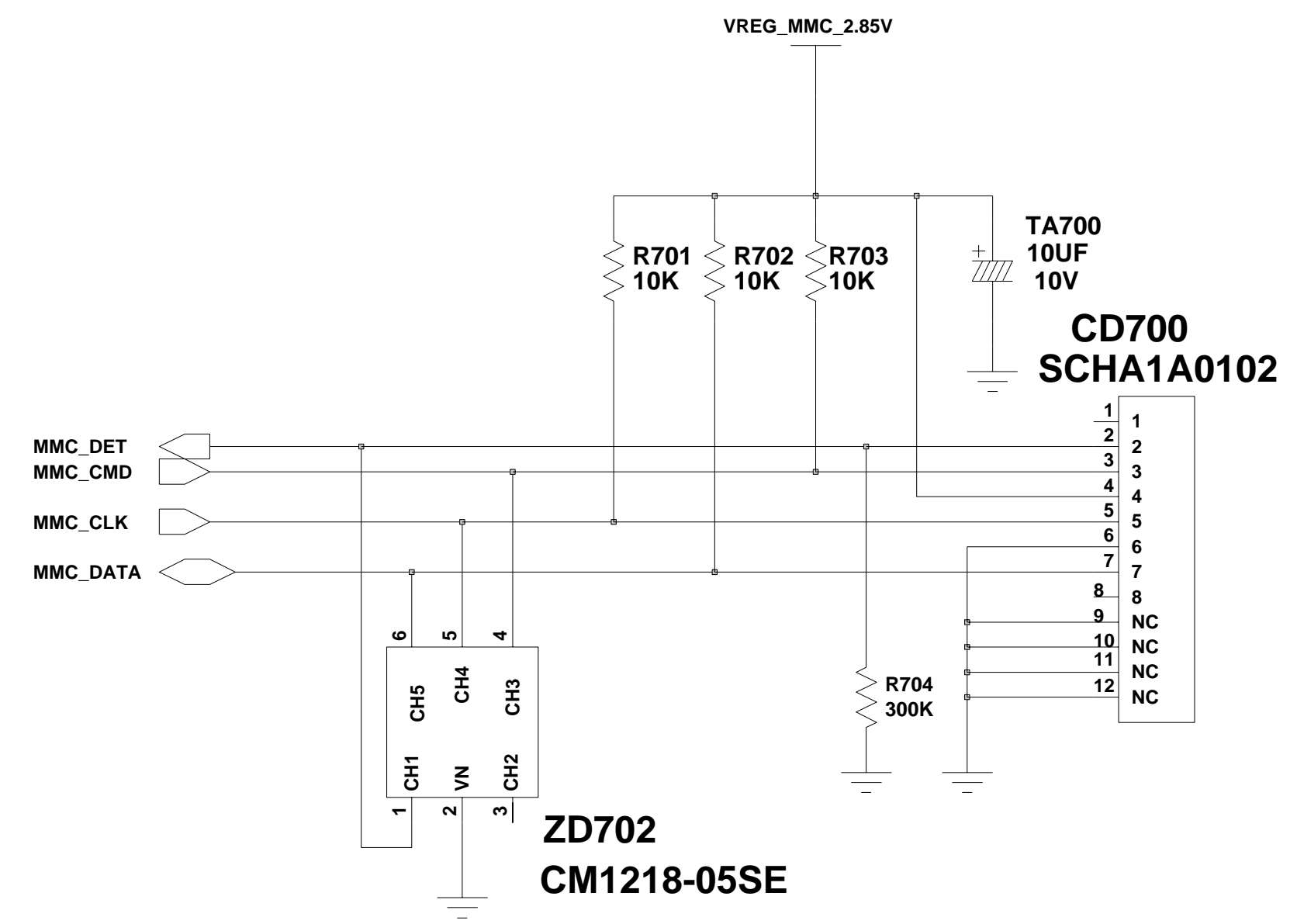


**SAMSUNG PROPRIETARY**  
 THIS DOCUMENT CONTAINS CONFIDENTIAL  
 PROPRIETARY INFORMATION THAT IS  
 SAMSUNG ELECTRONICS CO.'S PROPERTY.  
 DO NOT DISCLOSE TO OR DUPLICATE FOR OTHERS  
 EXCEPT AS AUTHORIZED BY SAMSUNG.

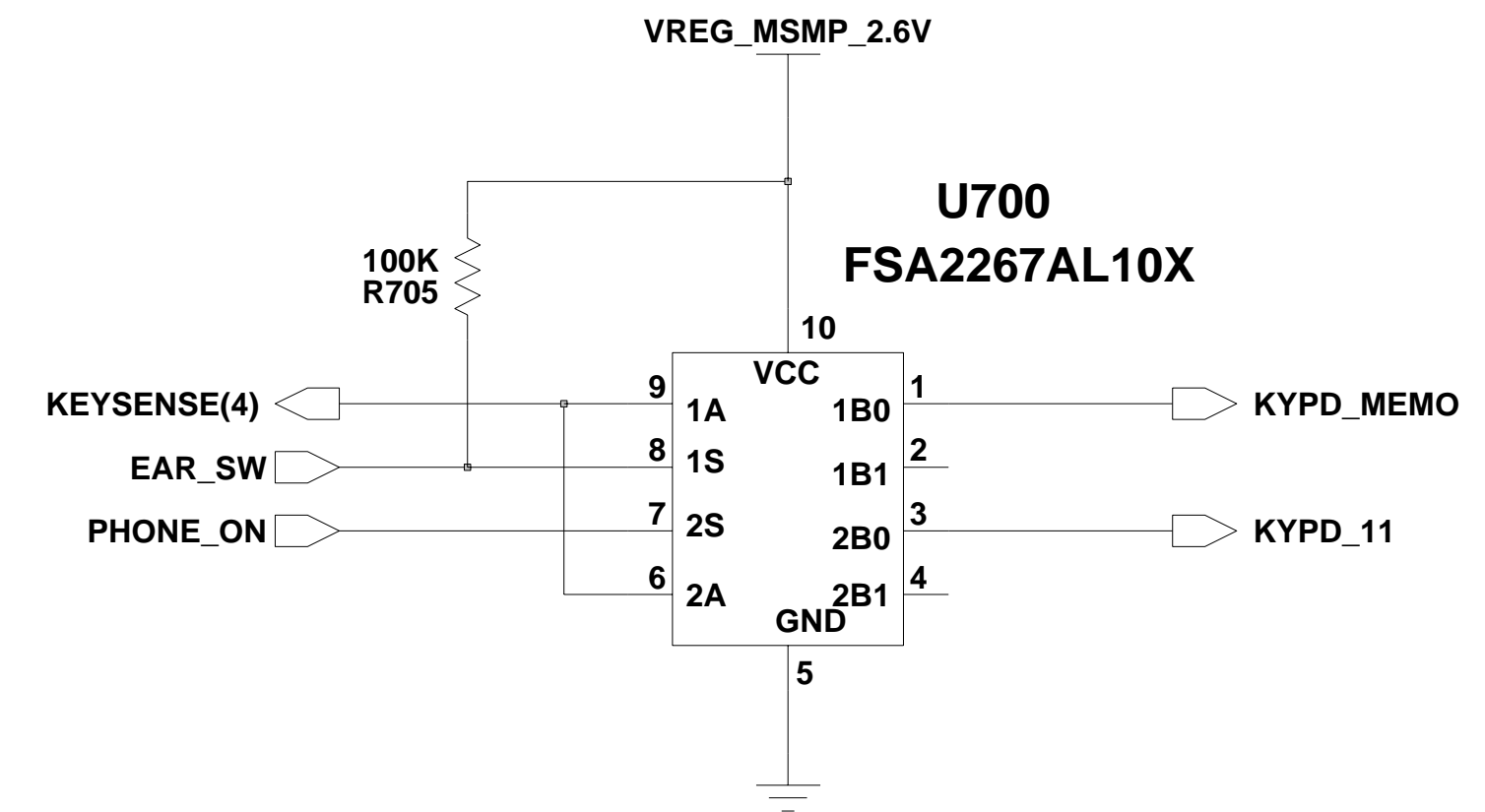


**KEY CONNECTOR**

**CAMERA\_SWITCH**



**MICRO-SD**



Engineer	SGH-Z720	<b>SAMSUNG</b>	
Drawn by	SGH-Z720		
R&D CHK		TITLE: <b>SGH-Z720 REV0.8 (MICRO-SD, KEY)</b>	Size A3
DOC CTRL CHK			
MFG ENGR CHK			

Changed by	Date Changed	2006. 08. 04	Time Changed	QA CHK	REV	Drawing Number	Sheet	7 of 7
------------	--------------	--------------	--------------	--------	-----	----------------	-------	--------





