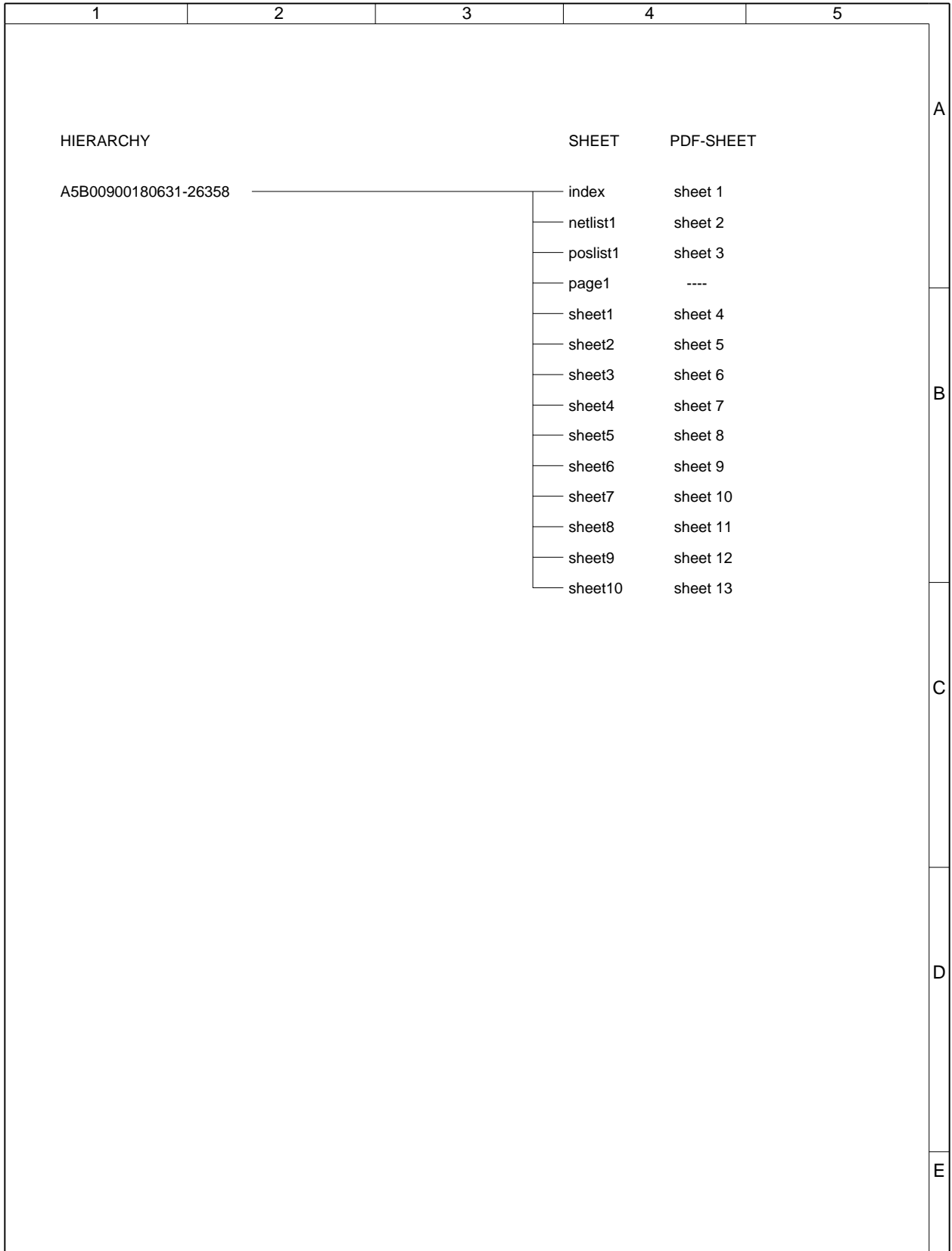


Proprietary data, company confidential.  
All rights reserved

Als Betriebsgeheimnis anvertraut  
Alle Rechte vorbehalten



				DATE	24.03.2005	Pegasus B6E B2 Assembled AMD Variant2 B2 Layout TOP HIERARCHY LEVEL SCHEMATIC	1:1
				USER	TLL		
				APPR'D			
				COM MD PD HW			
2	27111	11.05.2005	ZSX	Siemens AG		147454	index
1	25179	24.03.2005	TLL				
VERS.	CHANGE NUMBER	DATE	NAME	( Created by BOM number: A5B00900169571-27111 )			

A  
B  
C  
D  
E

	1	2	3	4	5	6	7	8	9	10
1	BHE /sheet5 14 E	/sheet5 4 B /sheet6 15 E /sheet5 4 G /sheet6 6 E /sheet5 6 C /sheet5 1 B /sheet5 6 A	IR_TX /sheet9 13 E /sheet8 12 D	/sheet10 9 B	RF_FE_DTR_DCS /sheet1 2 D /sheet5 8 D	/sheet7 7 B /sheet5 8 D	/sheet8 3 B /sheet7 14 B /sheet7 10 C /sheet5 5 C	VEBU_2.9 /sheet8 10 B /sheet8 12 E /sheet7 5 F /sheet6 7 A /sheet6 2 B /sheet6 3 E /sheet6 6 A /sheet5 4 C /sheet5 4 B /sheet5 11 G /sheet5 13 B /sheet4 14 B /sheet4 11 B		
1.5V	BREF /sheet5 15 A /sheet5 1 E	GND_STEPUP /sheet7 7 G /sheet7 10 G	KB0 /sheet5 8 E /sheet3 14 D	MICN1 /sheet9 5 B /sheet5 3 B /sheet5 1 D	RF_FE_DTR_GSM /sheet1 2 D /sheet5 8 E /sheet4 2 C /sheet4 4 C	STEPUP_SHUD /sheet7 7 G /sheet5 15 E	VDD_BRIGHT /sheet1 8 A /sheet1 9 A /sheet1 8 F /sheet1 8 A /sheet1 8 F /sheet1 12 D /sheet1 9 F /sheet1 10 A /sheet1 10 B /sheet1 10 A			
1.5V_DSP	BT_SIN26M /sheet11 13 D	/sheet7 9 G /sheet7 8 G /sheet7 8 F /sheet7 11 F	KB2 /sheet5 8 E /sheet3 14 E	MICN2 /sheet5 4 A /sheet5 1 D	RF_I /sheet1 9 F /sheet5 1 E /sheet4 4 B /sheet4 2 B	SW_SEL /sheet8 12 D /sheet8 14 D /sheet5 15 D	TBAT /sheet5 11 A /sheet5 1 E			
1.5V_MAIN	CCCLK /sheet5 14 D /sheet10 7 E	GSM_PA_IN /sheet1 1 F /sheet1 9 F	KB3 /sheet5 8 E /sheet3 14 D	MICP1 /sheet9 5 B /sheet5 3 B /sheet5 1 D	RF_IX /sheet1 10 F /sheet5 1 E /sheet4 2 B /sheet4 4 B	TCK /sheet5 9 F /page1 3 B	VDD_CHARGE /sheet7 5 B /sheet7 7 C	VEBU_2.9FLASH /sheet6 5 C /sheet6 10 D /sheet6 11 E /sheet6 11 E /sheet6 2 B		
3_SIN26M	CCIO /sheet5 14 D /sheet10 7 E	HF_OUT /sheet1 1 C /sheet2 4 C	KB4 /sheet5 8 E /sheet3 14 D	MICP2 /sheet8 9 F /sheet5 4 A /sheet5 1 D	RF_QX /sheet1 10 F /sheet5 1 E /sheet4 4 B /sheet4 2 B	TDO /sheet5 9 F /page1 3 C	VDD_RF1 /sheet1 11 A /sheet7 14 B /sheet4 2 E /sheet4 4 E /sheet2 9 D	VIBRA_UC /sheet9 10 B /sheet5 14 D		
A(0)	CCRST /sheet6 15 E /sheet6 2 C /sheet6 9 F /sheet6 3 F /sheet5 13 F	HF_OUT1 /sheet4 10 E /sheet2 6 C	KB5 /sheet5 8 E /sheet3 14 E	MON1 /sheet5 9 F	RF_Q /sheet1 10 F /sheet5 1 E /sheet4 4 B /sheet4 2 B	TMS /sheet5 9 F /page1 3 C	VDD_RF2 /sheet1 11 A /sheet1 11 C /sheet7 14 B /sheet4 4 E /sheet4 2 E	VMIC /sheet5 5 A /sheet5 4 A		
A(0:23)	CCVCC /sheet7 14 B /sheet10 7 F	HW_CODING1 /sheet5 12 B /sheet5 8 D	KB6 /sheet5 8 E /sheet3 14 C	MON2 /sheet5 9 F /page1 3 A	RF_QX /sheet1 10 F /sheet5 1 E /sheet4 2 B /sheet4 4 B	TRIGIN /sheet6 15 F /sheet5 9 F	VDD_RTC /sheet7 14 B /sheet7 7 C /sheet5 4 C /sheet5 9 C	VREGA /sheet7 7 E /sheet7 10 D /sheet7 8 E		
A(23)	CHARGE_UC /sheet7 10 C /sheet6 15 F /sheet5 14 D	HW_CODING2 /sheet5 12 B /sheet5 14 E	KB7 /sheet7 7 C /sheet5 7 E /sheet3 14 C	OEN /sheet5 10 F	PCN_PA_IN /sheet1 1 F /sheet1 9 F	TRIGOUT /sheet6 15 F /sheet5 9 F	WA_DOG /sheet7 6 C /sheet5 10 C			
AC_CTS	CS_FLASH_1 /sheet8 13 E /sheet5 14 E	HW_CODING3 /sheet5 12 B /sheet5 14 E	KB8 /sheet5 8 E /sheet3 14 C	PCN_PA_IN /sheet1 1 F /sheet1 9 F	RF_RAMP1 /sheet1 1 F /sheet5 6 C /sheet4 4 C /sheet4 2 C					
AC_DCD	CS_SRAM /sheet6 15 E /sheet6 5 B /sheet6 5 C /sheet6 12 E /sheet6 12 E /sheet5 10 F	HW_CODING4 /sheet5 8 D /sheet5 12 A	KB9 /sheet5 8 E /sheet3 14 C	POWER /sheet8 9 E /sheet7 2 C	RF_SIN26M /sheet1 14 D /sheet5 11 C /sheet4 2 C /sheet4 4 C					
AC_DCD	CTS_1 /sheet8 9 E	HW_CODING5 /sheet5 10 C /sheet5 9 C /sheet5 15 B	KP_7 /sheet5 8 E	RD /sheet6 15 E /sheet6 5 B /sheet6 12 E /sheet6 6 E /sheet5 10 F	RF_STR /sheet1 15 E /sheet5 14 E /sheet4 4 A /sheet4 2 A					
AC_RTS	D(0:15) /sheet6 15 B /sheet6 5 B /sheet6 12 F /sheet6 5 F /sheet5 3 G /sheet5 4 F /sheet5 5 G	HW_CODING6 /sheet5 10 F /sheet5 10 G /sheet5 15 B	LCD_CLK /sheet8 10 A /sheet5 9 C /sheet4 11 C /sheet4 14 C	RESET_UC /sheet7 11 C /sheet5 10 C /sheet6 7 B /sheet6 5 B /sheet5 12 C	RF_TXONPA /sheet1 1 E /sheet5 8 E /sheet4 4 D /sheet4 2 D					
AC_RX	DCD_1 /sheet8 9 E	I2C_CLK /sheet7 10 C /sheet5 9 C	LCD_DAT /sheet8 10 B /sheet5 9 C /sheet4 14 C /sheet4 11 C	RF_AFC /sheet1 15 C /sheet5 10 C /sheet4 4 C /sheet4 2 C	TX /sheet8 12 D /sheet5 9 C					
AC_TX	EPN1 /sheet9 5 F /sheet7 13 D	I2C_DAT /sheet7 10 C /sheet5 9 C	LCD_RESET /sheet8 10 A /sheet5 10 C /sheet4 14 C /sheet4 11 C	RF_ANT_DET /sheet5 14 D /sheet4 4 D /sheet4 2 D /sheet2 7 D	TX_1 /sheet8 9 E					
AGND	EPN1_FIL /sheet7 4 D /sheet5 8 A /sheet5 6 D	I2C_IRQ /sheet7 10 C /sheet6 15 F /sheet5 11 D	LCD_RS /sheet8 10 A /sheet5 9 C /sheet4 14 C /sheet4 11 C	RF_BAND_SW /sheet1 7 F /sheet5 8 D /sheet4 4 F /sheet4 2 F	TX_DUPUTY /sheet5 10 F					
AKKU_TYP	EPP1 /sheet9 5 E /sheet7 13 D	I2SCA0 /sheet7 7 E /sheet5 15 E	LCD_RS /sheet8 10 A /sheet5 9 C /sheet4 14 C /sheet4 11 C	RF_CLK /sheet1 15 E /sheet5 14 F /sheet4 4 A /sheet4 2 A	TX_GSM_OUT /sheet1 7 G /sheet1 2 C					
AUDIO_L	EPP1_FIL /sheet7 4 D /sheet5 8 A /sheet5 6 E	I2SWA0 /sheet7 7 E /sheet5 15 E	LIGHT_1 /sheet10 9 F /sheet10 12 B	RX /sheet8 14 D /sheet5 9 C	TX_PCN_OUT /sheet1 7 F /sheet1 2 C					
AUDIO_R	F_WAIT /sheet6 15 E /sheet6 5 D /sheet6 12 E	IR_RX /sheet9 9 E /sheet8 14 D	LIGHT_DISP /sheet8 10 B /sheet4 11 C /sheet4 14 C /sheet10 7 B	RF_DAT /sheet1 15 D /sheet5 14 F /sheet4 4 B /sheet4 2 B	VEBU_1.8 /sheet7 5 E /sheet6 6 E					
BATT+	GND_MIC /sheet9 4 C /sheet8 9 F /sheet5 4 B	IR_SEL /sheet9 13 E /sheet5 15 E	LIGHT_KB /sheet5 15 E	SLEEPQ /sheet4 2 B	VEBU_1.8FLASH /sheet6 5 D /sheet6 5 D /sheet6 2 D /sheet6 7 D /sheet6 8 D /sheet6 10 D /sheet6 12 D					
					VCOEN_UC /sheet7 6 B /sheet5 10 C					
					VDDA_2.65V /sheet9 9 E					

DATE	24.03.2005	USER	TLL	APPR'D		COM MD PD HW	
				Siemens AG		147454	
				netlist1			
2	27111	11.05.2005	ZSX				
1	25179	24.03.2005	TLL				
VERS.	CHANGE NUMBER	DATE	NAME	( Created by BOM number: A5B00900169571-27111 )			

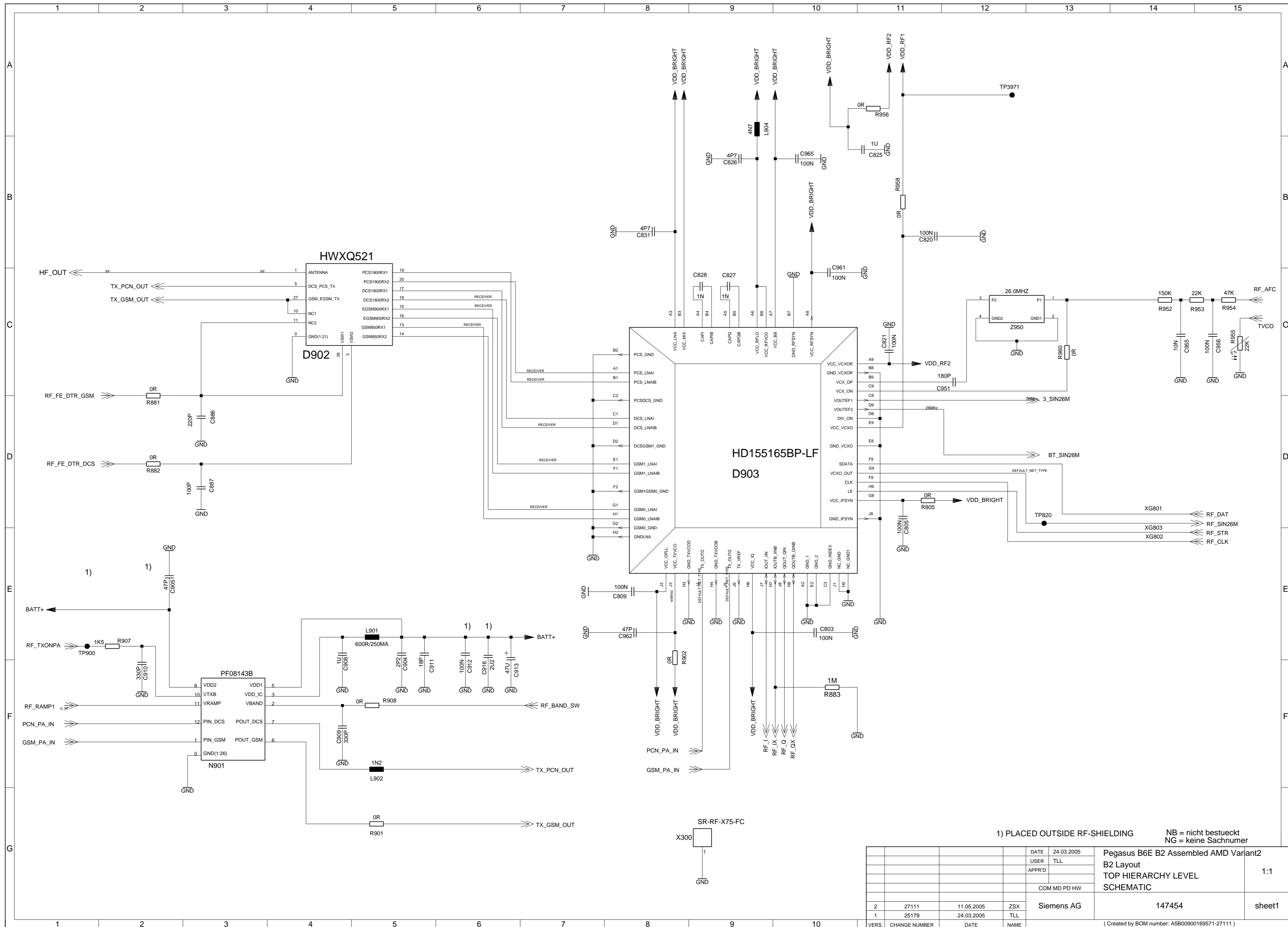
A  
B  
C  
D  
E

Proprietary data, company confidential.  
All rights reserved

Als Betriebsgeheimnis anvertraut  
Alle Rechte vorbehalten

	1	2	3	4	5	6	7	8	9	10	
A	C3 /sheet7 2 E C5 /sheet7 4 F C6 /sheet7 4 F C101 /sheet5 2 B C102 /sheet5 3 B C103 /sheet5 3 B C104 /sheet5 4 B C106 /sheet5 6 A C107 /sheet5 6 A C108 /sheet5 1 D C110 /sheet5 1 D C111 /sheet5 1 D C113 /sheet5 1 D C114 /sheet5 7 A C115 /sheet5 7 A C116 /sheet5 9 A C131 /sheet5 13 A C132 /sheet5 9 A C151 /sheet5 2 D C152 /sheet5 4 C C153 /sheet5 6 C C154 /sheet5 6 C C155 /sheet5 5 C C156 /sheet5 6 C C157 /sheet5 4 C C158 /sheet5 4 C C159 /sheet5 7 C C160 /sheet5 10 C C161 /sheet5 4 D C162 /sheet5 1 D C163 /sheet5 6 C C164 /sheet5 6 E C165 /sheet5 8 C C166 /sheet5 1 D C167 /sheet5 2 D C168 /sheet5 3 D C169 /sheet5 11 C C170 /sheet5 2 D C172 /sheet5 11 C C173 /sheet5 11 C C200 /sheet6 2 A C201 /sheet6 3 E C202 /sheet6 3 E C203 /sheet7 2 G C204 /sheet7 2 G C207 /sheet6 2 A C209 /sheet6 3 A C210 /sheet6 2 D C211 /sheet6 6 D C212 /sheet6 6 E C213 /sheet8 9 F C214 /sheet8 9 F C215 /sheet8 11 F C216 /sheet8 8 F C217 /sheet8 7 F C218 /sheet8 6 E C219 /sheet8 10 F C220 /sheet6 6 B C221 /sheet8 7 F C222 /sheet8 7 F C223 /sheet8 6 F C224 /sheet9 11 B C225 /sheet9 10 C C226 /sheet9 11 C C227 /sheet8 8 F C228 /sheet7 2 G C229 /sheet7 4 G C230 /sheet7 4 G C236 /sheet7 1 G C237 /sheet8 11 E C238 /sheet9 10 B C239 /sheet9 11 B C241 /sheet9 3 B C242 /sheet9 3 B C243 /sheet9 3 C C244 /sheet9 3 B C245 /sheet9 3 E C246 /sheet9 3 E C247 /sheet9 3 F C261 /sheet9 4 E C262 /sheet9 5 F C281 /sheet10 11 B C295 /sheet10 15 E C302 /sheet7 12 D C304 /sheet7 12 D C350 /sheet7 5 B C351 /sheet7 5 B	C352 /sheet7 5 C C353 /sheet7 5 C C354 /sheet7 5 C C359 /sheet7 7 E C360 /sheet7 7 E C361 /sheet7 7 E C362 /sheet7 7 B C363 /sheet7 9 B C364 /sheet7 7 B C365 /sheet7 7 B C366 /sheet7 7 B C367 /sheet7 7 B C368 /sheet7 12 B C369 /sheet7 12 B C370 /sheet7 12 B C371 /sheet7 12 B C372 /sheet7 13 B C373 /sheet7 13 B C374 /sheet7 13 B C375 /sheet7 7 C C376 /sheet7 6 D C377 /sheet7 9 D C379 /sheet7 10 D C380 /sheet7 6 D C381 /sheet7 5 D C382 /sheet7 5 D C383 /sheet7 10 D C384 /sheet7 5 D C385 /sheet7 9 E C386 /sheet7 7 E C389 /sheet7 11 E C390 /sheet7 12 E C392 /sheet7 12 E C393 /sheet7 12 E C395 /sheet7 13 B C396 /sheet7 10 E C397 /sheet7 11 E C398 /sheet7 14 C C399 /sheet7 11 C C803 /sheet1 10 E C805 /sheet1 11 E C809 /sheet1 8 E C817 /sheet1 13 E C818 /sheet1 13 E C819 /sheet1 14 E C820 /sheet1 11 B C821 /sheet1 11 C C824 /sheet1 9 B C825 /sheet1 10 B C826 /sheet1 9 B C827 /sheet1 9 C C828 /sheet1 9 C C831 /sheet1 8 B C886 /sheet1 3 D C887 /sheet1 3 D C900 /sheet1 4 G C901 /sheet1 5 G C902 /sheet1 4 G C903 /sheet1 5 G C904 /sheet1 5 F C905 /sheet1 2 E C907 /sheet1 2 E C908 /sheet1 4 F C909 /sheet1 4 F C910 /sheet1 2 F C911 /sheet1 5 F C912 /sheet1 6 F C913 /sheet1 6 E C916 /sheet1 6 E C918 /sheet1 2 E C951 /sheet1 12 C C952 /sheet1 14 C C953 /sheet1 14 C C955 /sheet1 14 C C956 /sheet1 15 C C958 /sheet1 1 E C961 /sheet1 10 C C962 /sheet1 8 E C965 /sheet1 10 B C1336 /sheet7 8 F C1337 /sheet7 6 F C1338 /sheet7 6 F C1339 /sheet7 7 F C1356 /sheet7 10 F C1357 /sheet7 10 F C1400 /sheet8 3 B C1402 /sheet8 4 B	C1405 /sheet8 4 B C1426 /sheet8 2 B C1604 /sheet10 7 G C1605 /sheet10 7 G C2200 /sheet8 9 B C2201 /sheet8 9 B C2202 /sheet8 9 B C2203 /sheet8 8 B C2231 /sheet8 9 B C2232 /sheet8 10 B C2233 /sheet8 9 B C2235 /sheet8 10 B C2320 /sheet10 5 B C2633 /sheet9 12 E C2634 /sheet9 9 E C2635 /sheet9 12 E C2636 /sheet9 9 E C2650 /sheet9 12 E C2651 /sheet9 10 E C2652 /sheet9 13 E C3803 /sheet2 9 D C3805 /sheet2 8 D C3811 /sheet2 5 D C3812 /sheet2 6 D C3813 /sheet2 11 D C3814 /sheet2 10 C C3815 /sheet2 9 D C3816 /sheet2 9 C C3817 /sheet2 10 C D171-1 /sheet5 2 E D171-2 /sheet5 13 F D202 /sheet6 4 G D203 /sheet6 10 G D204 /sheet6 3 D D361 /sheet7 8 E D902 /sheet1 4 C D903 /sheet1 8 E L214 /sheet8 8 E L215 /sheet8 8 E L216 /sheet8 6 F L217 /sheet8 6 F L901 /sheet1 5 E L902 /sheet1 5 F L904 /sheet1 9 B L1302 /sheet7 9 F L1303 /sheet7 7 F L2633 /sheet9 12 E L3803 /sheet2 10 D L3804 /sheet2 10 C L3806 /sheet2 5 C N211 /sheet8 13 D N307 /sheet7 2 E N308 /sheet7 2 G N901 /sheet1 3 F N1304 /sheet7 8 G R101-2 /sheet5 2 A R101-1 /sheet5 3 A R102-1 /sheet5 4 A R102-2 /sheet5 4 A R103 /sheet5 2 B R104 /sheet5 4 B R105 /sheet5 6 A R106 /sheet5 6 E R107 /sheet5 15 D R108 /sheet5 14 E R111 /sheet5 1 E R131 /sheet5 11 B R132 /sheet5 11 B R133 /sheet5 11 B R134 /sheet5 11 B R135 /sheet5 12 B R136 /sheet5 12 B R137 /sheet5 11 A R138 /sheet5 12 B R139 /sheet5 6 E R140 /sheet5 15 D R141 /sheet5 10 A R143 /sheet5 9 A R144 /sheet5 14 B R145 /sheet5 14 B R146 /sheet5 9 B R147 /sheet5 10 G R148 /sheet5 14 B R149 /sheet5 14 B R151 /sheet5 3 C R152 /sheet5 3 C R153 /sheet5 4 C	R156 /sheet5 11 G R158 /sheet5 8 C R159 /sheet5 10 C R160 /sheet5 6 D R161 /sheet5 10 C R162 /sheet5 15 D R168 /sheet5 13 A R169 /sheet5 14 A R170 /sheet5 14 E R171 /sheet5 14 E R172 /sheet5 14 E R173 /sheet5 10 G R203 /sheet6 7 B R206 /sheet6 6 B R207 /sheet6 3 E R208 /sheet6 7 D R209 /sheet6 7 E R210 /sheet6 5 G R211 /sheet8 5 F R212 /sheet8 5 F R213 /sheet8 6 F R214 /sheet8 12 D R215 /sheet8 12 E R220 /sheet9 10 C R221 /sheet10 10 B R241 /sheet9 4 B R242 /sheet9 4 B R243 /sheet9 4 E R244 /sheet9 5 E R271 /sheet3 12 B R272 /sheet3 13 B R273 /sheet3 13 B R274 /sheet3 13 B R275 /sheet3 12 B R281 /sheet10 10 B R287 /sheet10 11 E R288 /sheet10 12 E R289 /sheet10 13 E R290 /sheet10 13 E R291 /sheet10 14 E R292 /sheet10 15 E R293 /sheet10 11 F R295 /sheet10 10 E R361 /sheet7 2 C R362 /sheet7 3 C R363 /sheet7 4 C R364 /sheet7 4 D R365 /sheet7 4 D R366 /sheet7 5 D R367 /sheet7 14 C R368 /sheet7 9 B R371 /sheet7 7 C R372 /sheet7 10 E R373 /sheet7 3 B R390 /sheet7 9 C R391 /sheet7 10 C R395 /sheet7 7 C R396 /sheet7 10 C R397 /sheet7 7 B R500 /page1 3 A R805 /sheet1 11 D R806 /sheet1 11 D R881 /sheet1 2 D R882 /sheet1 2 D R883 /sheet1 10 F R901 /sheet1 5 G R902 /sheet1 8 F R907 /sheet1 2 E R908 /sheet1 5 F R951 /sheet1 14 C R952 /sheet1 14 C R953 /sheet1 14 C R954 /sheet1 15 C R955 /sheet1 15 C R956 /sheet1 11 A R957 /sheet1 11 A R958 /sheet1 11 B R959 /sheet1 12 D R960 /sheet1 13 C R961 /sheet1 13 C R1340 /sheet7 10 F R1341 /sheet7 10 F R1342 /sheet7 8 G R1343 /sheet7 11 F R1614 /sheet10 7 F R2201 /sheet5 10 C R2202 /sheet5 9 C	R2203 /sheet5 9 C R2204 /sheet5 9 C R2310 /sheet10 5 B R2311 /sheet10 6 C R2312 /sheet10 6 C R2632 /sheet9 11 E R2635 /sheet9 13 E R2636 /sheet9 12 F R3801 /sheet2 8 D R3802 /sheet2 9 D TP3971 /sheet1 12 A TP820 /sheet1 13 D TP900 /sheet1 1 E TP2201 /sheet8 10 B TP214 /sheet8 5 E TP213 /sheet8 5 E TP362 /sheet7 10 B TP361 /sheet7 2 C TP368 /sheet7 14 B TP369 /sheet7 14 B TP367 /sheet7 14 B TP374 /sheet7 10 F TP365 /sheet7 7 C TP371 /sheet7 10 C TP364 /sheet7 5 E TP363 /sheet7 14 B TP366 /sheet7 14 B TP134 /sheet6 6 B TP131 /sheet5 14 A TP110 /sheet5 13 A TP150 /sheet5 9 F TP156 /sheet5 9 F TP151 /sheet5 9 F TP157 /sheet5 7 E TP154 /sheet5 9 F TP158 /sheet5 4 C TP155 /sheet5 9 F TP132 /sheet5 10 A TP153 /sheet5 9 F TP152 /sheet5 9 F TP281 /sheet10 11 B V151 /sheet5 8 E V211 /sheet9 11 B V220 /sheet9 11 B V222-2 /sheet10 10 B V286 /sheet10 11 F V287 /sheet10 12 F V288 /sheet10 13 F V289 /sheet10 13 F V290 /sheet10 14 F V291 /sheet10 15 F V361-1 /sheet7 3 C V361-2 /sheet7 4 C V950 /sheet1 13 C V1303 /sheet7 9 F V1400 /sheet8 3 B V2302 /sheet10 6 B V2650 /sheet9 11 E X100 /sheet5 2 G X211 /sheet8 2 F X300 /sheet1 9 G X1400 /sheet8 2 B X1603 /sheet10 3 E X1700 /sheet9 1 G X2200 /sheet8 9 C X2202 /sheet8 7 A X3800 /sheet2 8 C Z171 /sheet5 11 C Z211 /sheet8 11 F Z950 /sheet1 13 C Z1601 /sheet10 4 E						
B											
C											
D											
E											

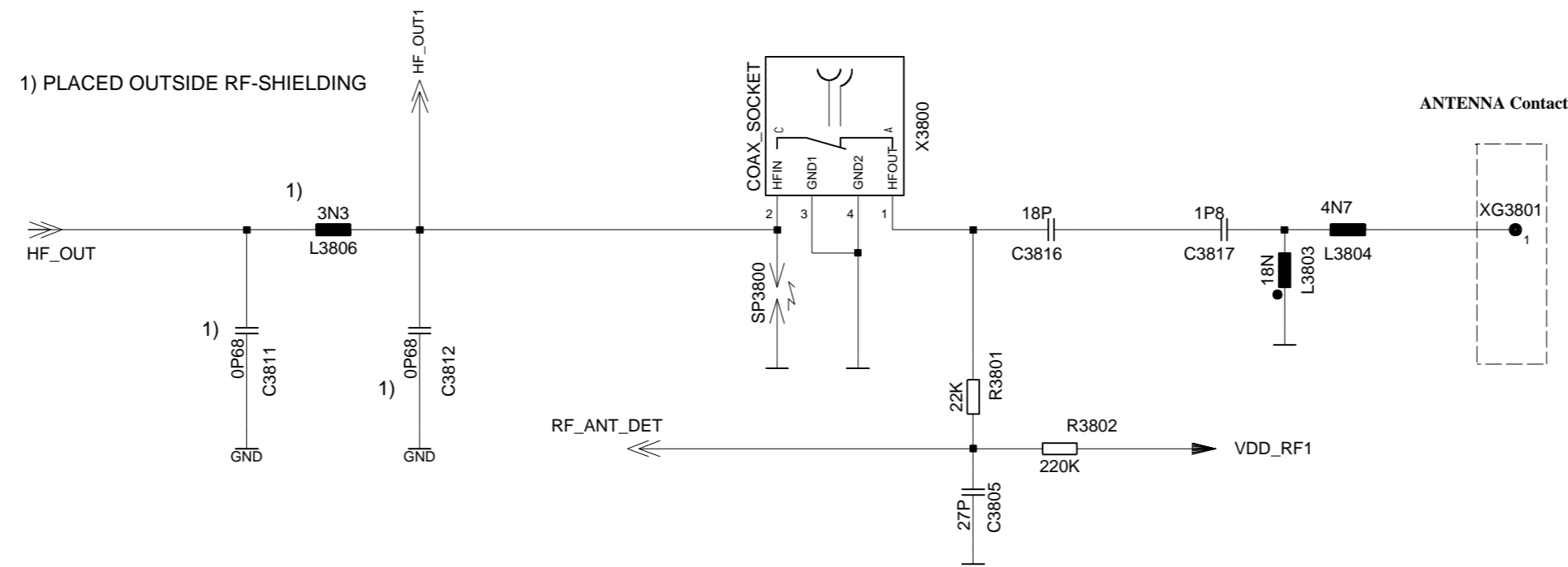
DATE	24.03.2005	Pegasus B6E B2 Assembled AMD Variant2	
USER	TLL	B2 Layout	
APPR'D		TOP HIERARCHY LEVEL	
COM MD PD HW		SCHEMATIC	
2	27111	11.05.2005	ZSX
1	25179	24.03.2005	TLL
VERS.	CHANGE NUMBER	DATE	NAME
			Siemens AG
			147454
			poslist1
( Created by BOM number: A5B00900169571-27111 )			



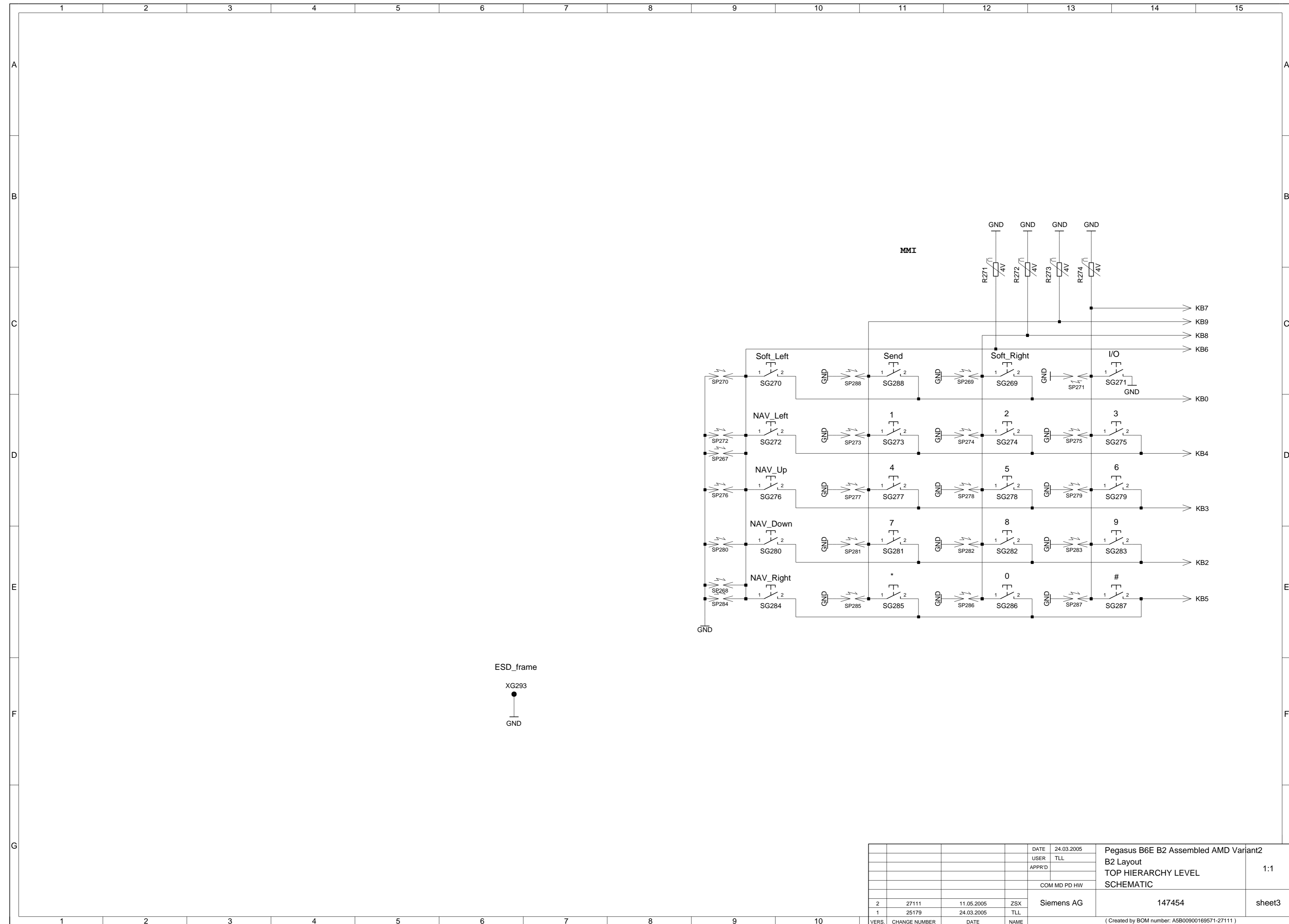
1) PLACED OUTSIDE RF-SHIELDING NB = nicht bestueckt  
NG = keine Sachnummer

DATE	24.03.2005	Pegasus B6E B2 Assembled AMD Variant2		1:1	
USER	TLL	B2 Layout			
APPR'D		TOP HIERARCHY LEVEL		sheet1	
		SCHEMATIC			
COM MD PD HW					
2	27111	11.05.2005	ZSX	sheet1	
1	25179	24.03.2005	TLL		
VERS.	CHANGE NUMBER	DATE	NAME	( Created by BOM number: A5B00900169571-27111 )	

ANTENNA\_CIRCUIT  
3800-3849



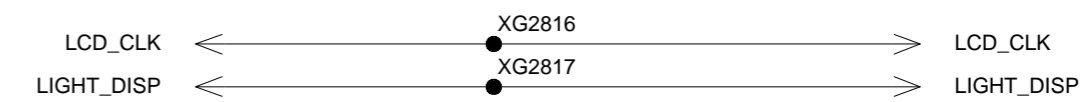
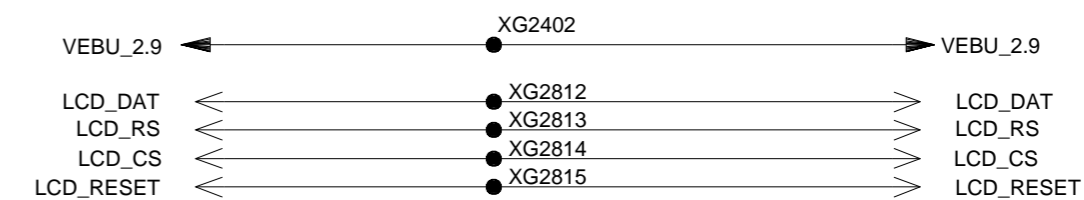
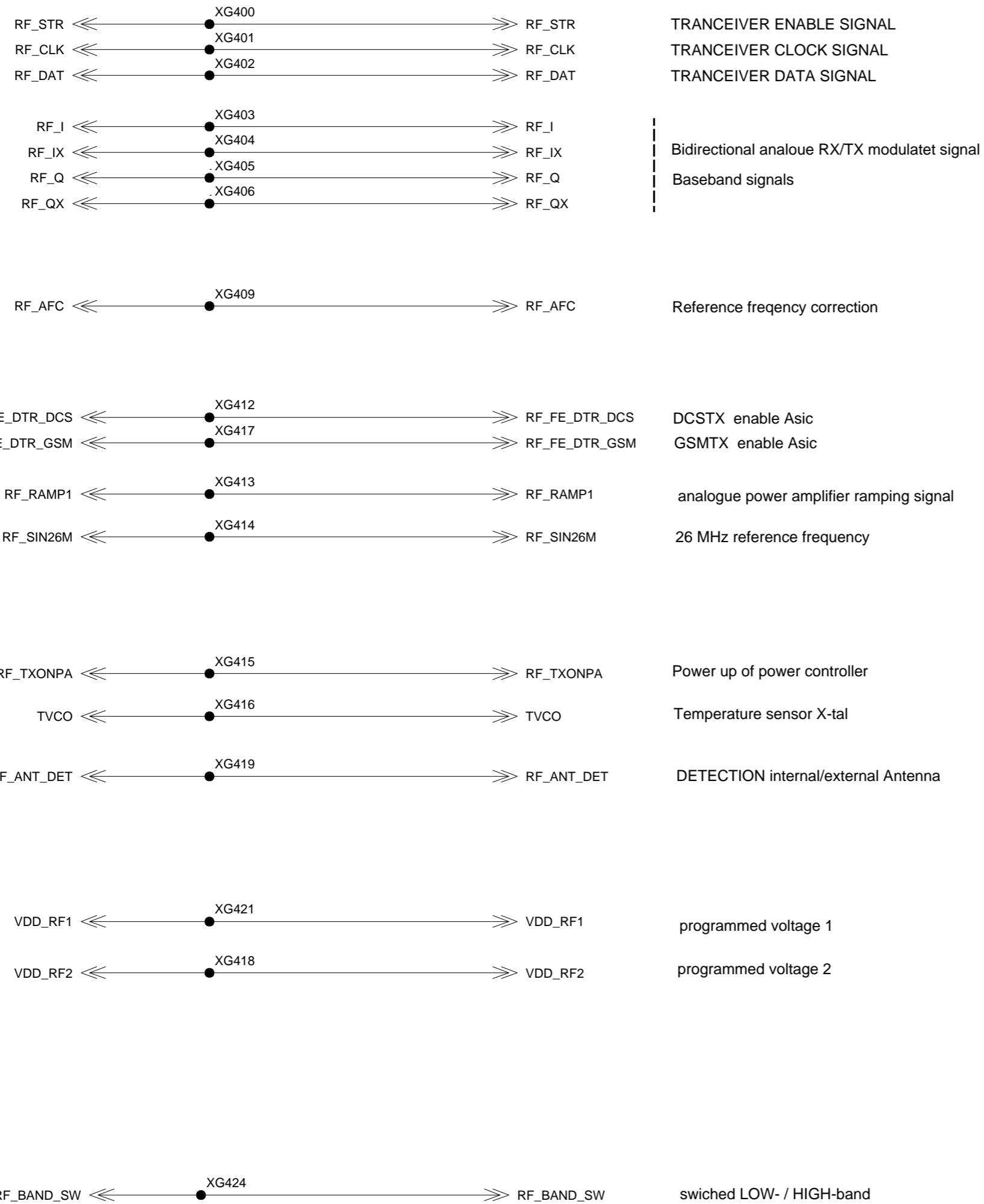
DATE	24.03.2005	Pegasus B6E B2 Assembled AMD Variant2 B2 Layout TOP HIERARCHY LEVEL SCHEMATIC	1:1
USER	TLL		
APPR'D			
COM MD PD HW			
VERS.	CHANGE NUMBER	DATE	NAME
2	27111	11.05.2005	ZSX
1	25179	24.03.2005	TLL
Siemens AG		147454	sheet2
( Created by BOM number: A5B00900169571-27111 )			



				DATE	24.03.2005	Pegasus B6E B2 Assembled AMD Variant2 B2 Layout TOP HIERARCHY LEVEL SCHEMATIC	1:1
				USER	TLL		
				APPR'D			
					COM MD PD HW		
2	27111	11.05.2005	ZSX	Siemens AG	147454	sheet3	
1	25179	24.03.2005	TLL				
VERS.	CHANGE NUMBER	DATE	NAME	( Created by BOM number: A5B00900169571-27111 )			

### HIT\_POINTS LOGIK/HF\_PART\_1\_B6E

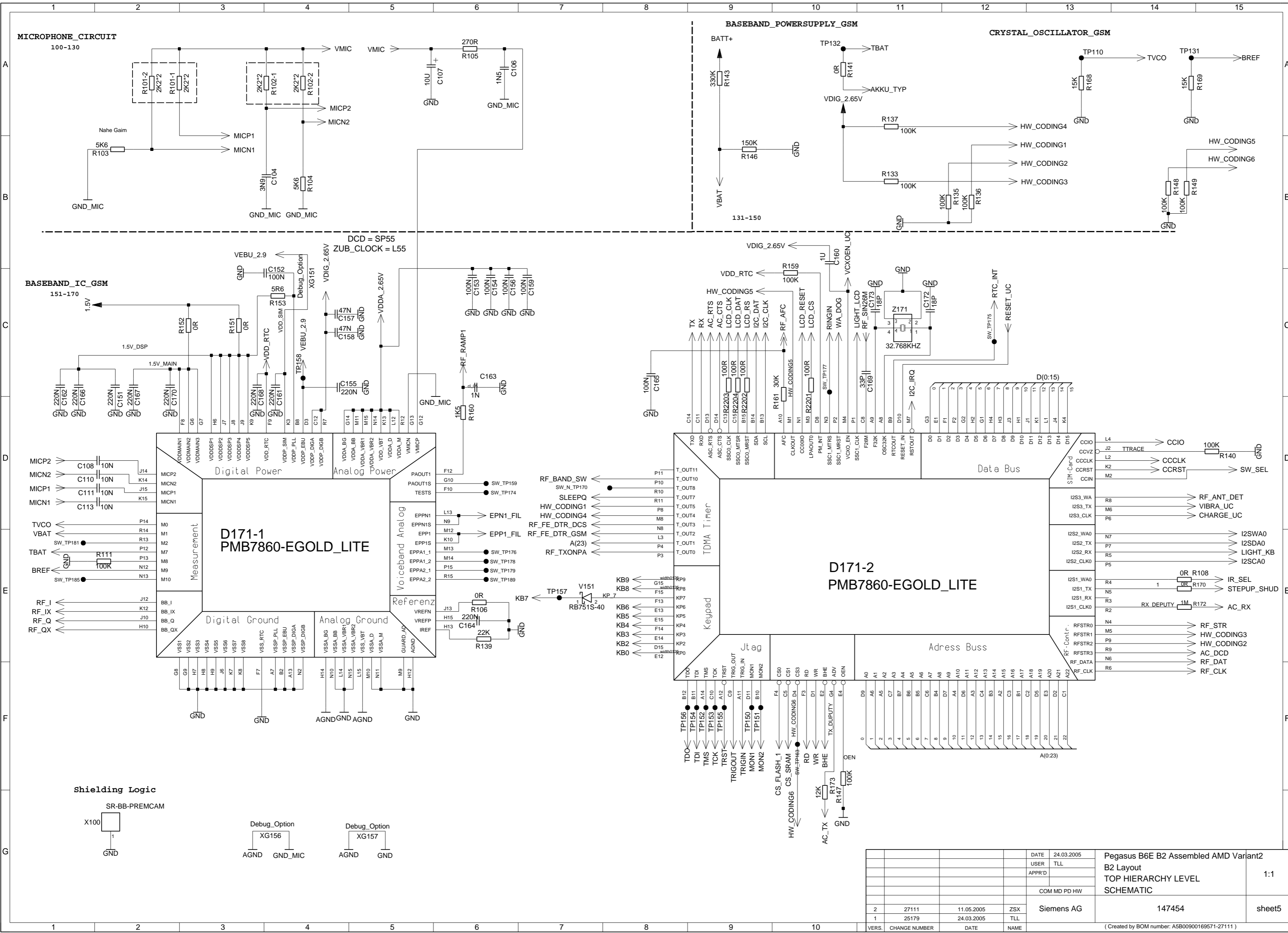
400-449



DATE	24.03.2005	Pegasus B6E B2 Assembled AMD Variant2	
USER	TLL	B2 Layout	
APPR'D		TOP HIERARCHY LEVEL	
		SCHEMATIC	
COM MD PD HW			
2	27111	11.05.2005	ZSX
1	25179	24.03.2005	TLL
Siemens AG		147454	
		sheet4	

Proprietary data. Company confidential.  
all rights reserved

Als Betriebsgeheimnis anvertraut  
alle Rechte vorbehalten



DATE	24.03.2005	Pegasus B6E B2 Assembled AMD Variant2 B2 Layout TOP HIERARCHY LEVEL SCHEMATIC	1:1
USER	TLL		
APPRD			
COM MD PD HW			
Siemens AG		147454	sheet5
( Created by BOM number: A5800900169571-27111 )			

VERS.	CHANGE NUMBER	DATE	NAME
2	27111	11.05.2005	ZSX
1	25179	24.03.2005	TLL

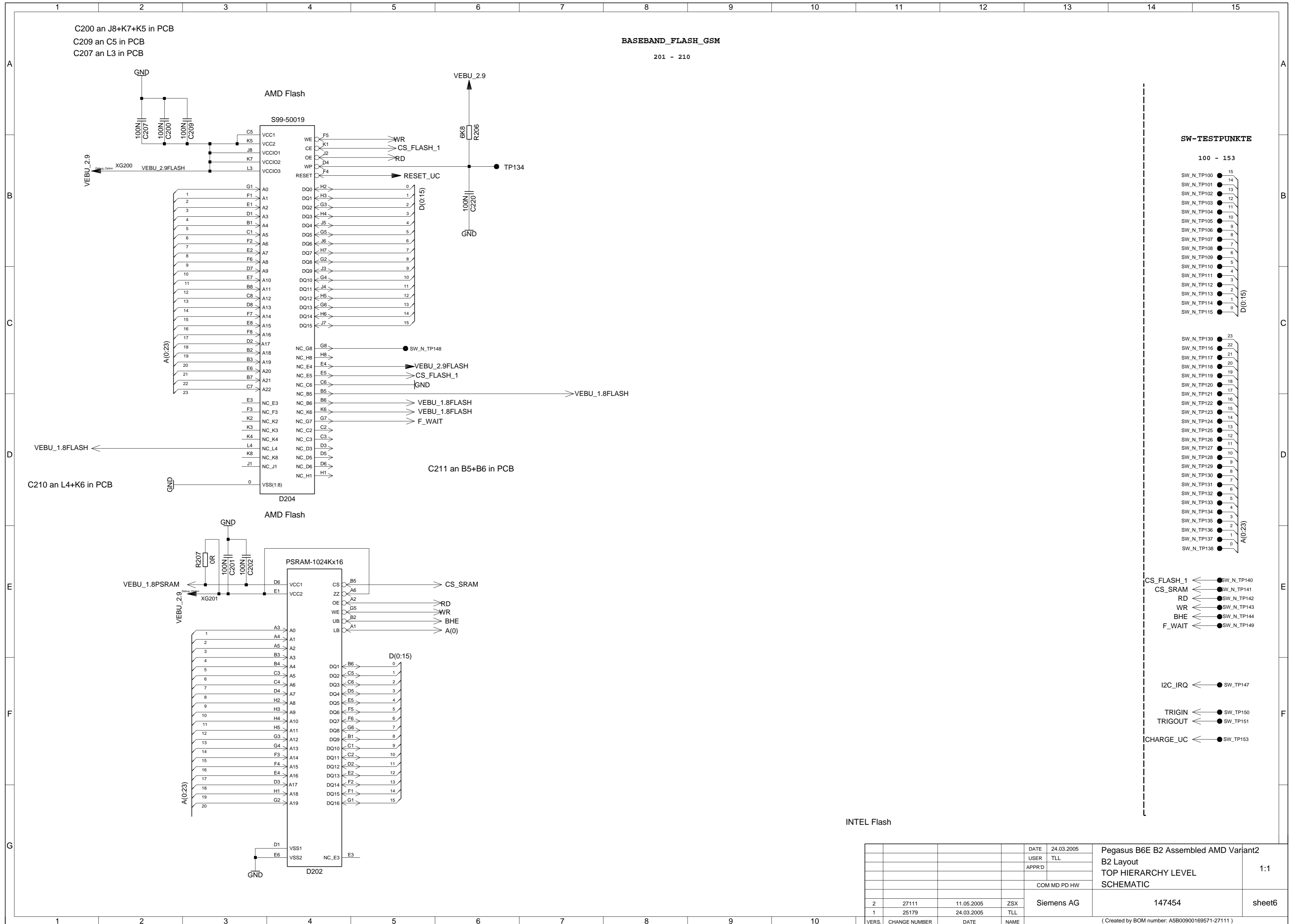


Proprietary data, Company confidential.  
all rights reserved

Als Betriebsgeheimnis anvertraut  
alle Rechte vorbehalten

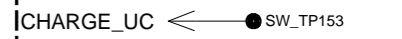
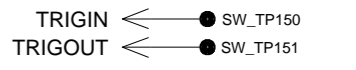
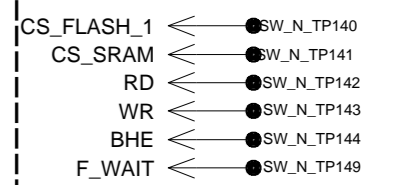
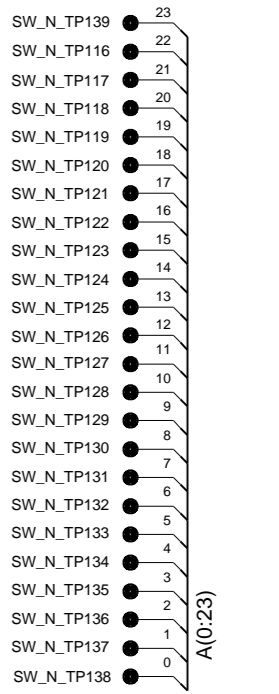
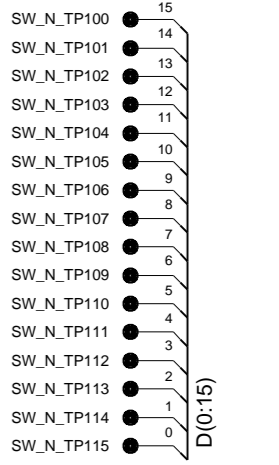
BASEBAND\_FLASH\_GSM

201 - 210



SW-TESTPUNKTE

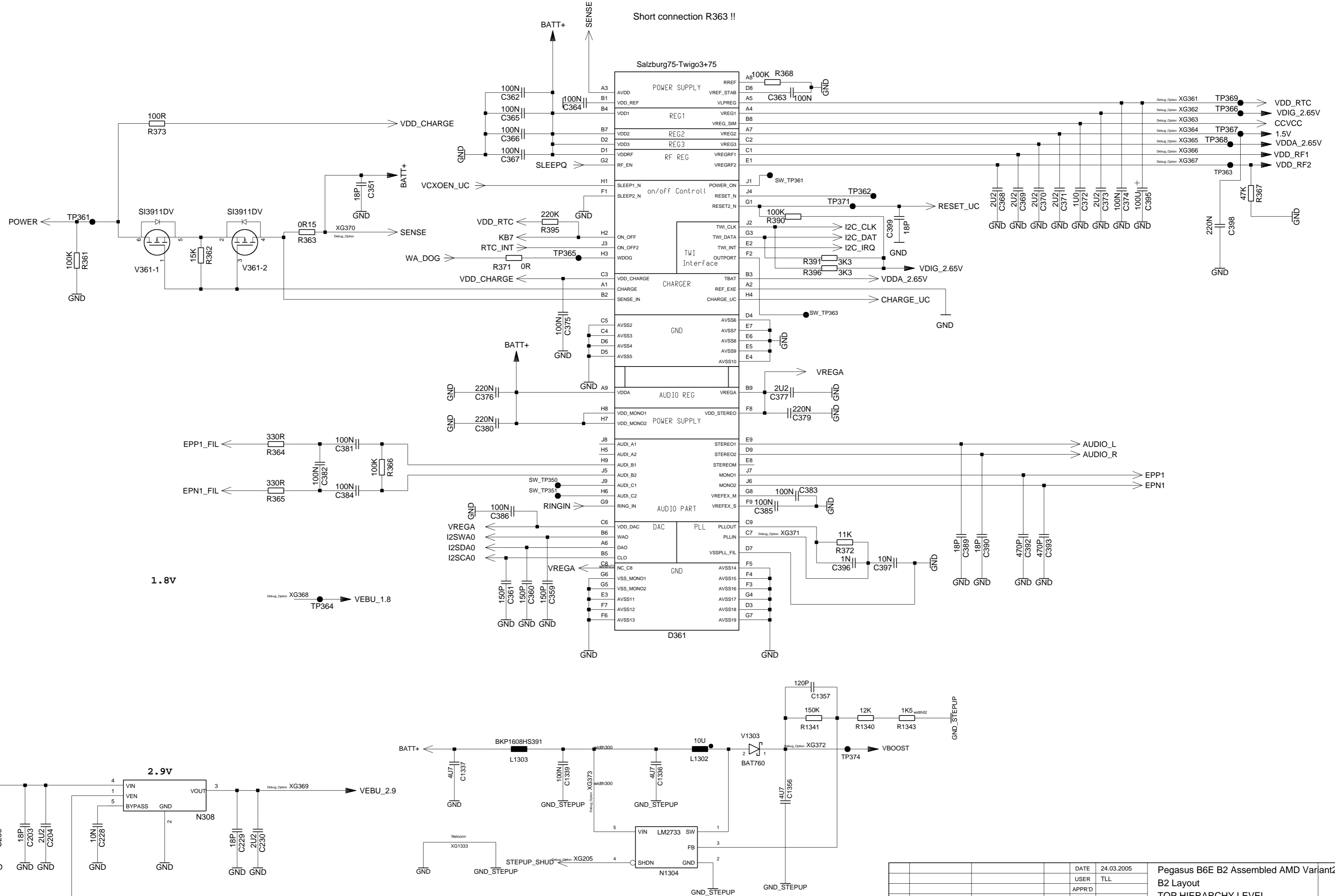
100 - 153



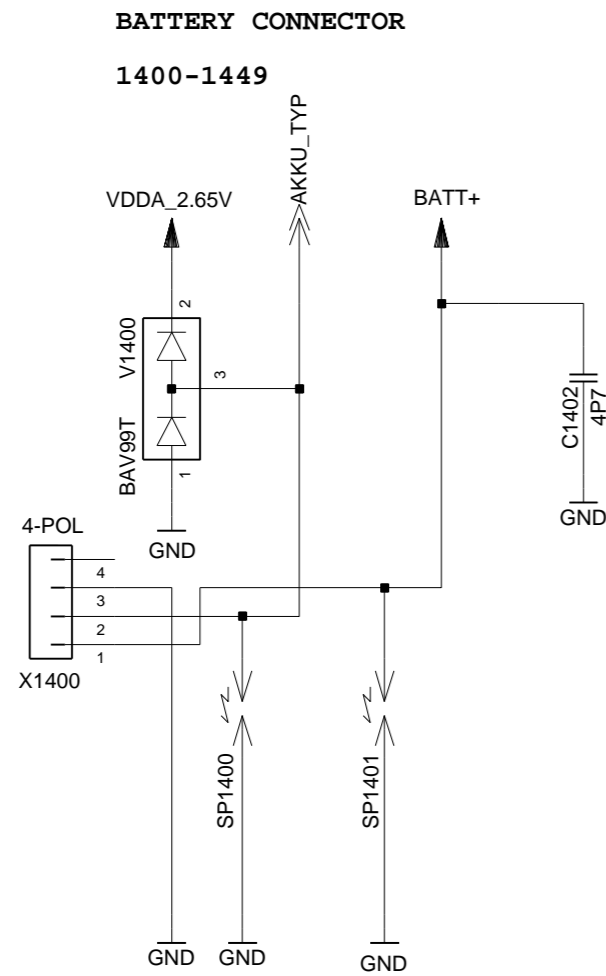
INTEL Flash

DATE	24.03.2005	Pegasus B6E B2 Assembled AMD Variant2	
USER	TLL	B2 Layout	
APPRD		TOP HIERARCHY LEVEL	
		COM MD PD HW	SCHEMATIC
2	27111	11.05.2005	ZSX
1	25179	24.03.2005	TLL
VERS.	CHANGE NUMBER	DATE	NAME
		Siemens AG	
		147454	
		sheet6	
( Created by BOM number: A5B00900169571-27111 )			

### BASEBAND\_POWERSUPPLY\_GSM

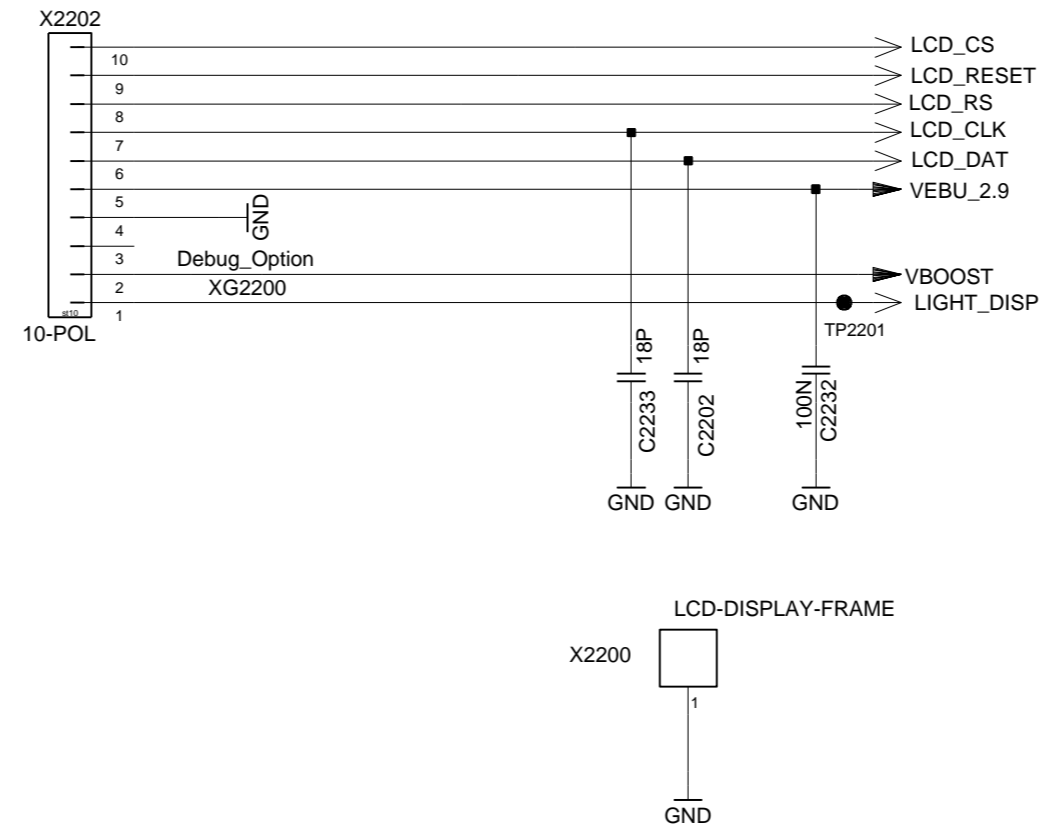


DATE	24.03.2005	Pegasus B6E B2 Assembled AMD Variant2		
USER	TLL	B2 Layout		
APPRD		TOP HIERARCHY LEVEL		1:1
COM MD PD HW				
SCHEMATIC				
2	27111	11.05.2005	ZSX	
1	25179	24.03.2005	TLL	sheet7
VERS.	CHANGE NUMBER	DATE	NAME	( Created by BOM number: A5B00900169571-27111 )



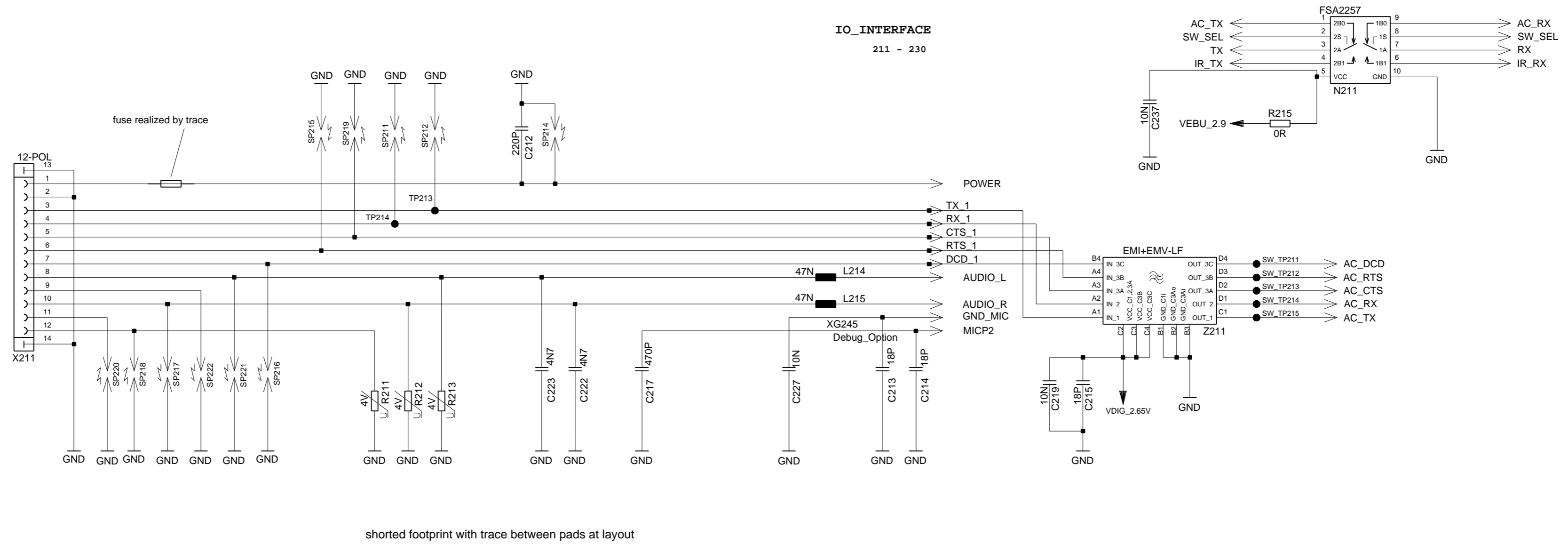
### Logic/Display\_Interface

2200-2299



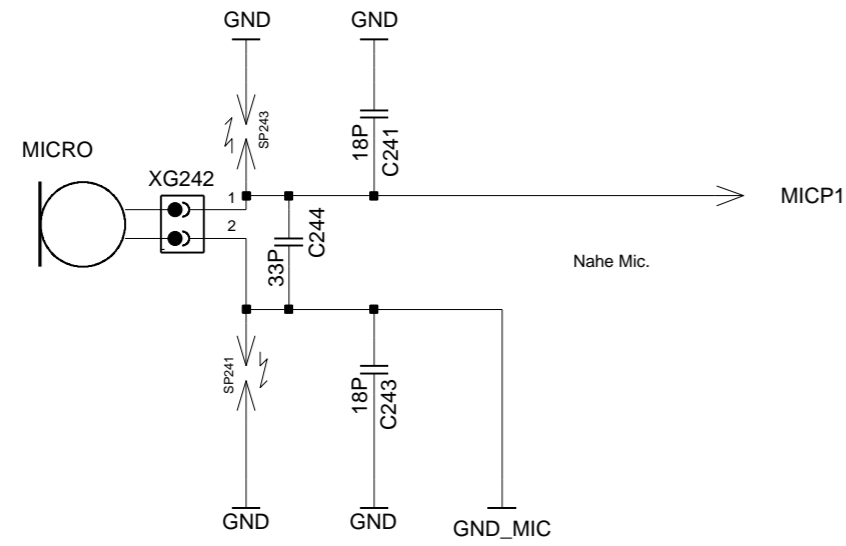
### IO\_INTERFACE

211 - 230

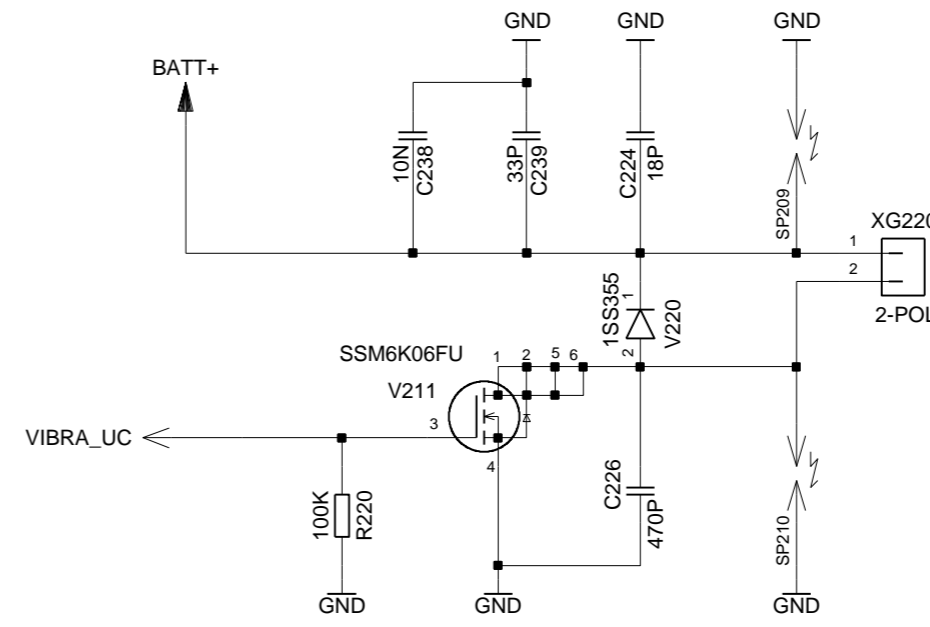


DATE	24.03.2005	Pegasus B6E B2 Assembled AMD Variant2 B2 Layout TOP HIERARCHY LEVEL SCHEMATIC	1:1
USER	TLL		
APPRD			
COM MD PD HW			
2	27111	11.05.2005	ZSX
1	25179	24.03.2005	TLL
Siemens AG	147454		sheet8
( Created by BOM number: A5B00900169571-27111 )			

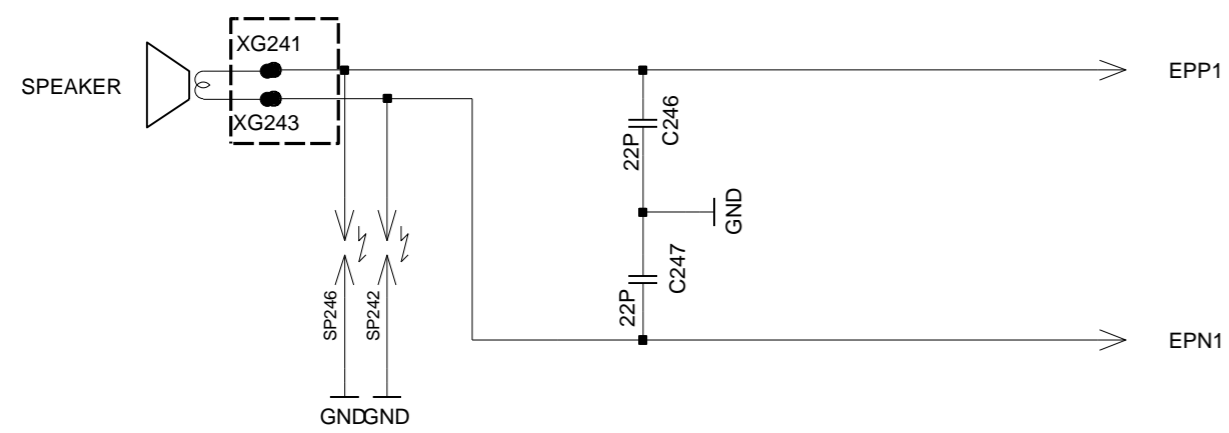
**MICROPHONE\_CIRCUIT**  
241-250



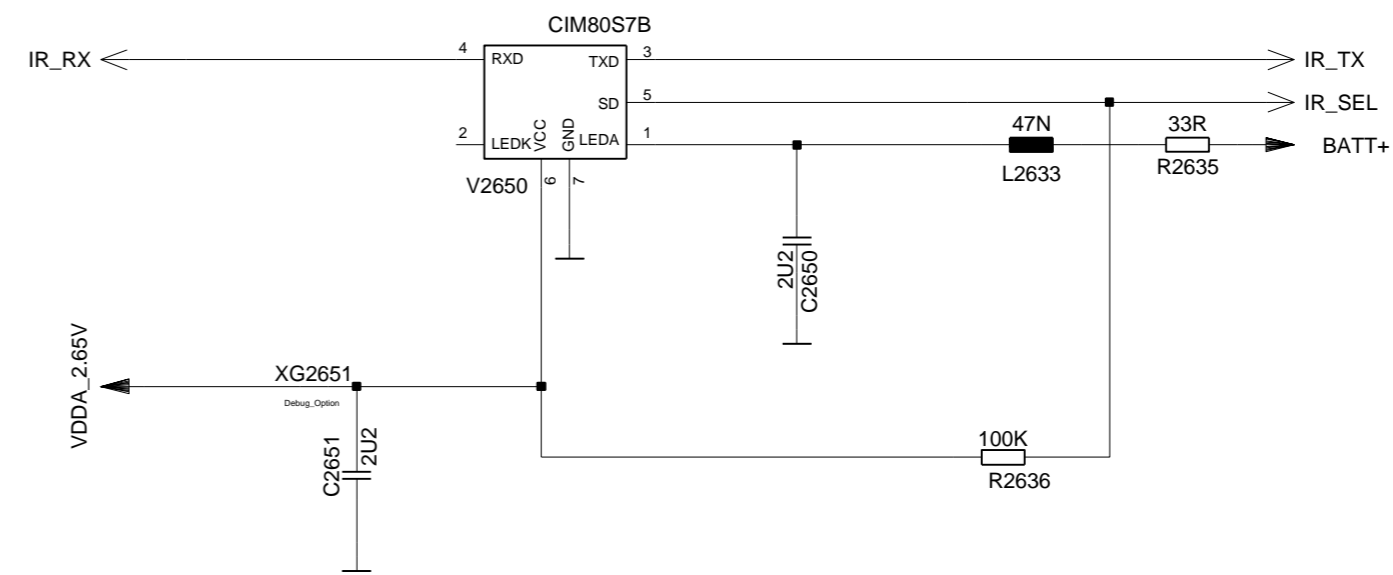
**VIBRA\_CIRCUIT**  
211 - 230



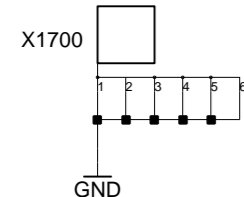
**SPEAKER\_CIRCUIT**



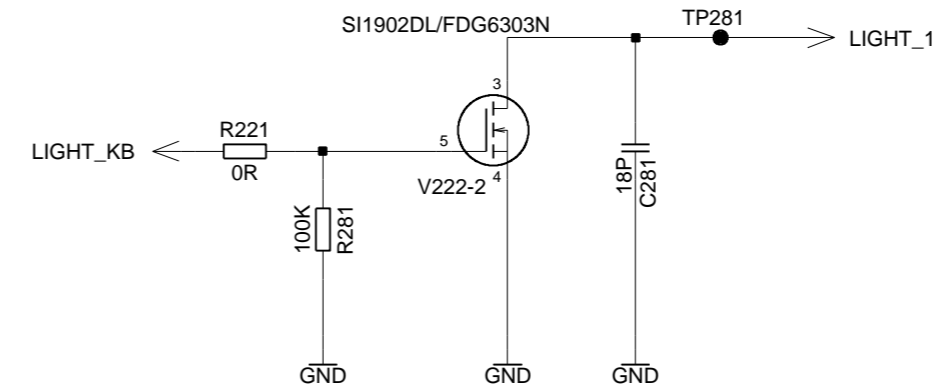
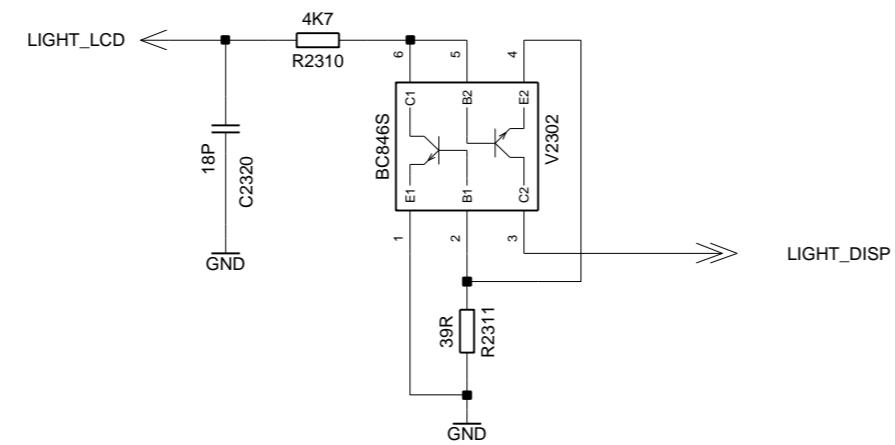
**IRDA**  
2650-2699



Antreferenzblech\_ ULYSSES

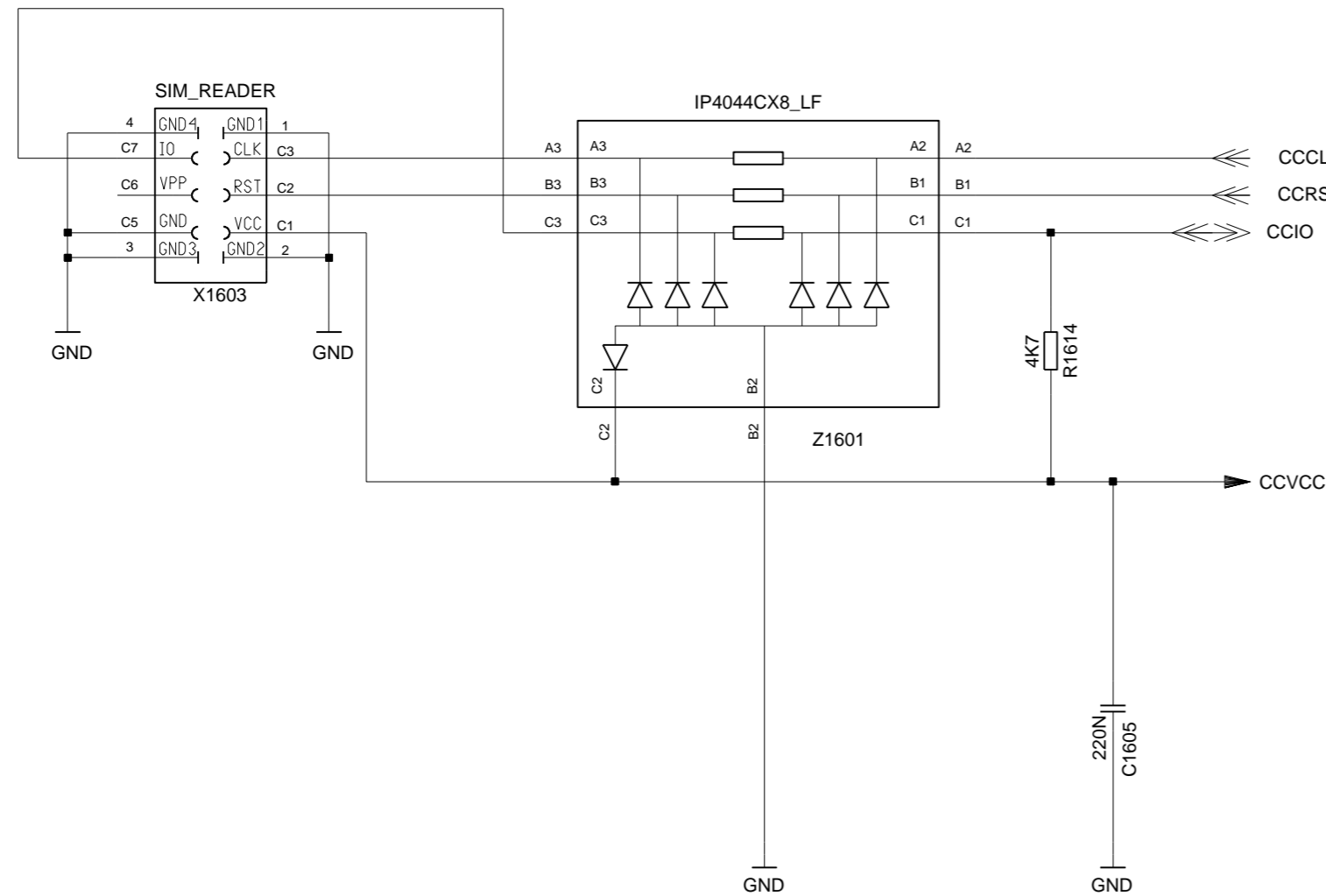


DATE	24.03.2005	Pegasus B6E B2 Assembled AMD Variant2	
USER	TLL	B2 Layout	
APPR'D		TOP HIERARCHY LEVEL	1:1
		SCHEMATIC	
		COM MD PD HW	
2	27111	11.05.2005	ZSX
1	25179	24.03.2005	TLL
Siemens AG		147454	sheet9
( Created by BOM number: A5B00900169571-27111 )			

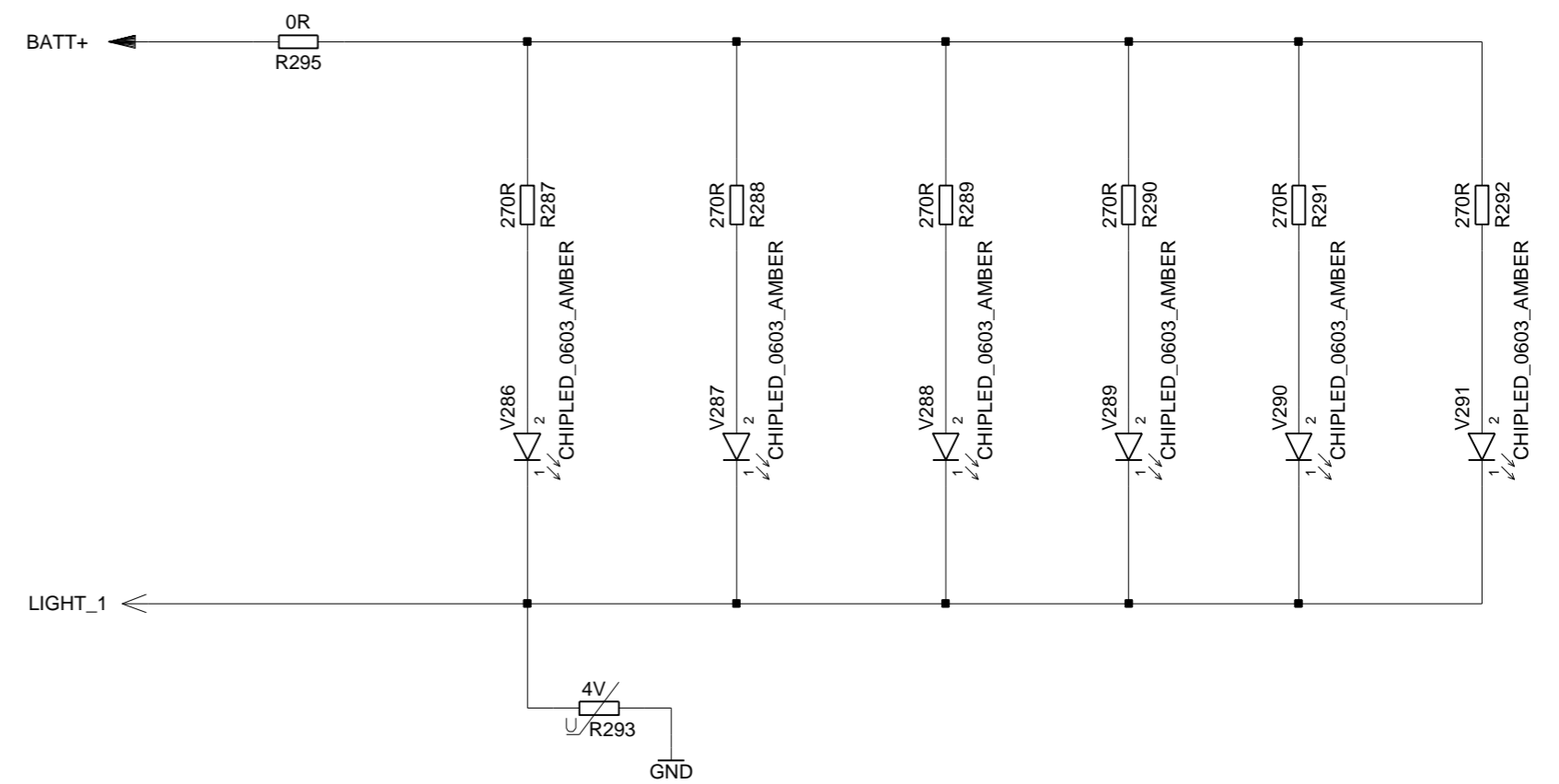


### SIM\_CONNECTOR

1600-1659



### KEYPAD\_BACKLIGHT



DATE	24.03.2005	Pegasus B6E B2 Assembled AMD Variant2	
USER	TLL	B2 Layout	
APPR'D		TOP HIERARCHY LEVEL	
		SCHEMATIC	
COM MD PD HW			
2	27111	11.05.2005	ZSX
1	25179	24.03.2005	TLL
Siemens AG		147454	sheet10
( Created by BOM number: A5B00900169571-27111 )			

PROPRIETARY DATA, COMPANY CONFIDENTIAL  
ALL RIGHTS RESERVED

ALS BETRIEBSGEHEIMNIS ANVERTRAUT  
ALLE RECHTE VORBEHALTEN

1 2 3 4 5 6 7 8 9 10

A

B

C

D

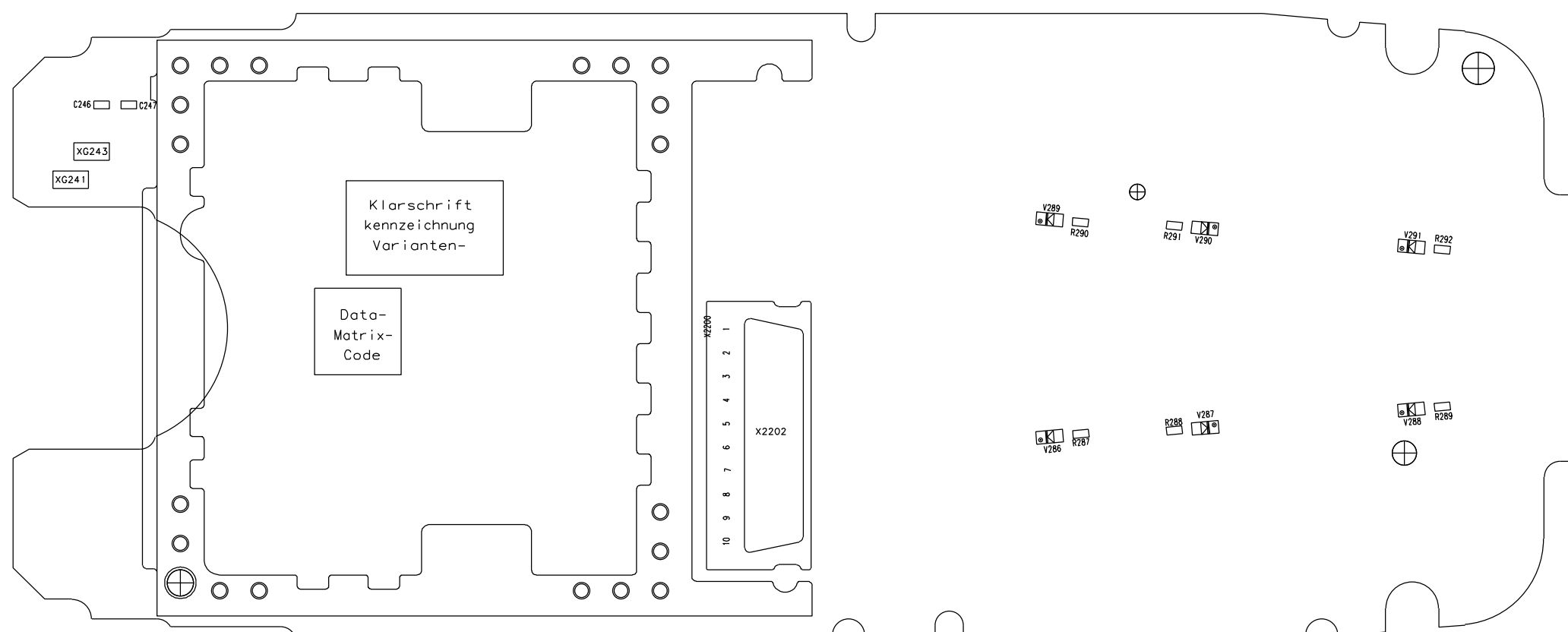
E

A

B

C

D



C246	2B
C247	2B
R287	7C
R288	7C
R289	9C
R290	7B
R291	7B
R292	9B
V286	7C
V287	7C
V288	8C
V289	7B
V290	7B
V291	8B
X2200	2C
X2202	5C

Achtung : Hoehenprofil C24\_...\_...\_42 (gilt nur fuer Entwicklung)  
Liefervarianten siehe : V24851-Z2000-A1-\*--35

				DATE	24.03.2005	Pegasus B6E B2 Assembled AMD Variant2 B2 Layout WIRING DIAGRAMM (SOLDER SIDE 1)	3:1
				NAME	TLL		
				APPR'D			
				STD			
				COM MD PD HW			
2	27111	11.05.2005	ZSX	SIEMENS AG		147455	SHEET
1	25179	24.03.2005	TLL				1+
VERS.	CHANGE NUMBER	DATE	NAME	( Created by BOM number: A5B00900169571-27111 )			

1 2 3 4 5

PROPRIETARY DATA, COMPANY CONFIDENTIAL  
ALL RIGHTS RESERVED

ALS BETRIEBSGEHEIMNIS ANVERTRAUT  
ALLE RECHTE VORBEHALTEN

1 2 3 4 5 6 7 8 9 10

A

B

C

D

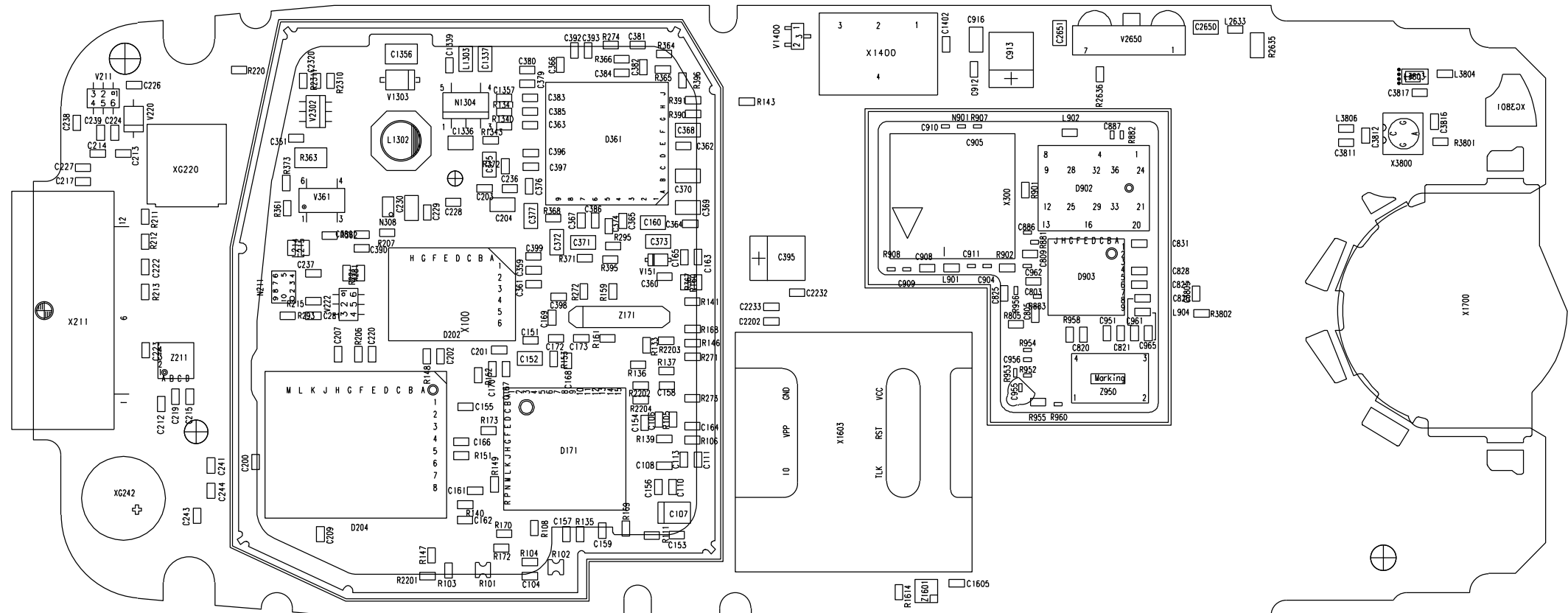
E

A

B

C

D



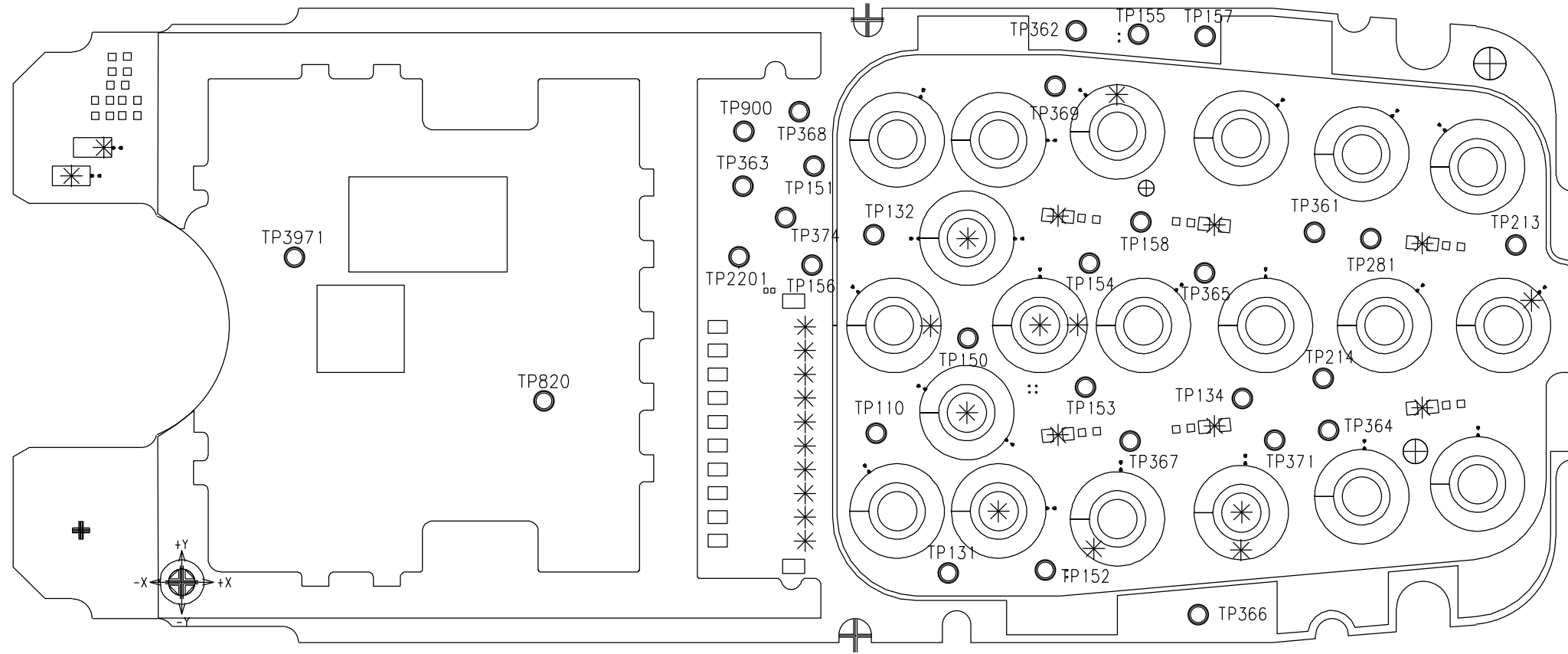
C104	4D	C200	3C	C281	3C	C389	3B	C916	6B	D902	7B	R139	5C	R273	5C	R953	7C	X100	5D
C106	5C	C201	4C	C351	3B	C390	3B	C951	7C	D903	7B	R140	4C	R274	4B	R954	7C	X211	2C
C107	5C	C202	4C	C359	4C	C392	4B	C955	7C	L214	3B	R141	5C	R281	3C	R955	7C	X300	7C
C108	5C	C203	4B	C360	5C	C393	4B	C956	7C	L215	3B	R143	5B	R293	3C	R956	7C	X1400	6B
C110	5C	C204	4B	C361	4C	C395	5C	C961	7C	L901	6C	R146	5C	R295	5B	R958	7C	X1603	6C
C111	5C	C207	3C	C362	5B	C396	4B	C962	7C	L902	7B	R147	4D	R361	3B	R960	7C	X1700	9C
C113	5C	C209	3C	C363	4B	C397	4B	C965	7C	L904	7C	R148	4C	R362	3B	R1340	4B	X3800	9B
C151	4C	C212	2C	C364	5B	C398	4C	C1336	4B	L1302	4B	R149	4C	R363	3B	R1341	4B	Z171	4C
C152	4C	C213	2B	C365	5B	C399	4B	C1337	4B	L1303	4B	R151	4C	R364	5B	R1343	4B	Z211	2C
C153	5C	C214	2B	C366	4B	C803	7C	C1339	4B	L2633	8B	R152	4C	R365	5B	R1614	6D	Z950	7C
C154	5C	C215	2C	C367	4B	C805	7C	C1356	4B	L3803	9B	R153	4C	R366	5B	R2201	4D	Z1601	6D
C155	4C	C217	2B	C368	5B	C809	7B	C1357	4B	L3804	9B	R159	5C	R367	5C	R2202	5C		
C156	5C	C219	2C	C369	5B	C820	7C	C1402	6B	L3806	8B	R160	5C	R368	4B	R2203	5C		
C157	4C	C220	3C	C370	5B	C821	7C	C1605	6D	N211	3C	R161	5C	R371	4C	R2204	5C		
C158	5C	C222	2C	C371	4B	C825	7C	C2202	5C	N308	3B	R168	5C	R372	4B	R2310	3B		
C159	4C	C223	2C	C372	4B	C826	7C	C2232	5C	N901	6B	R169	5C	R373	3B	R2311	3B		
C160	5B	C224	2B	C373	5B	C827	7C	C2233	5C	N1304	4B	R170	4C	R390	5B	R2635	8B		
C161	4C	C226	2B	C374	5B	C828	7C	C2320	3B	R101	4D	R172	4D	R391	5B	R2636	7B		
C162	4C	C227	2B	C375	4B	C831	7B	C2650	8B	R102	4D	R173	4C	R395	5C	R3801	9B		
C163	5B	C228	4B	C376	4B	C886	7B	C2651	7B	R103	4D	R206	3C	R396	5B	R3802	8C		
C164	5C	C229	4B	C377	4B	C887	7B	C3805	8C	R104	4D	R207	3B	R805	7C	V151	5C		
C165	5C	C230	4B	C379	4B	C904	6C	C3811	8B	R105	5C	R211	2B	R881	7B	V211	2B		
C166	4C	C236	4B	C380	4B	C905	6B	C3812	8B	R106	5C	R212	2B	R882	7B	V220	2B		
C167	4C	C237	3C	C381	5B	C908	6C	C3816	9B	R108	4C	R213	2C	R883	7C	V222	3C		
C168	4C	C238	2B	C382	5B	C909	6C	C3817	9B	R111	5C	R215	3C	R901	7B	V361	3B		
C169	4C	C239	2B	C383	4B	C910	6B	D171	4C	R133	5C	R220	3B	R902	7C	V1303	4B		
C170	4C	C241	2C	C384	5B	C911	6C	D202	4C	R135	4D	R221	3C	R907	6B	V1400	5B		
C172	4C	C243	2C	C385	4B	C912	6B	D204	4C	R136	5C	R271	5C	R908	6C	V2302	3B		
C173	4C	C244	2C	C386	4B	C913	7B	D361	5B	R137	5C	R272	4C	R952	7C	V2650	7B		

Achtung : Hoehenprofil C24\_...\_...\_42 (gilt nur fuer Entwicklung)  
Liefervarianten siehe : V24851-Z2000-A1-\*-35

			DATE	24.03.2005	Pegasus B6E B2 Assembled AMD Variant2	
			NAME	TLL	B2 Layout	
			APPR'D		3:1	
			STD		WIRING DIAGRAMM (SOLDER SIDE 2)	
			COM MD PD HW			
2	27111	11.05.2005	ZSX	SIEMENS AG	147455	SHEET
1	25179	24.03.2005	TLL			2+
VERS.	CHANGE NUMBER	DATE	NAME	( Created by BOM number: A5B00900169571-27111 )		

PROPRIETARY DATA, COMPANY CONFIDENTIAL  
ALL RIGHTS RESERVED

ALS BETRIEBSGEHEIMNIS ANVERTRAUT  
ALLE RECHTE VORBEHALTEN



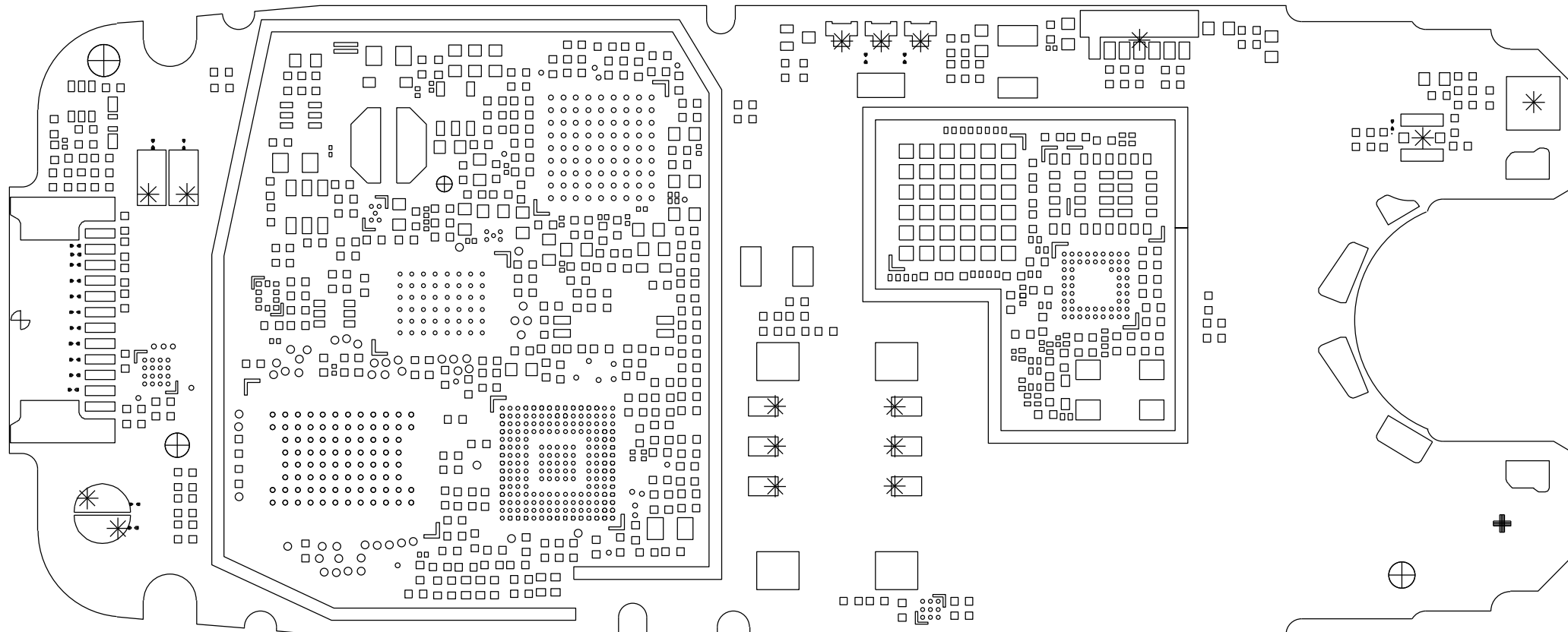
TP110	6C	TP157	7B	TP367	7C
TP131	6D	TP158	7B	TP368	5B
TP132	6B	TP213	9B	TP369	7B
TP134	8C	TP214	8C	TP371	8C
TP150	6C	TP281	8B	TP374	5B
TP151	5B	TP361	8B	TP820	4C
TP152	7D	TP362	7B	TP900	5B
TP153	7C	TP363	5B	TP2201	5B
TP154	7B	TP364	8C	TP3971	3B
TP155	7B	TP365	7C		
TP156	5B	TP366	7D		

				DATE	24.03.2005	Pegasus B6E B2 Assembled AMD Variant2 B2 Layout TESTPOINT DIAGRAMM (SIDE 1)	3:1
				NAME	TLL		
				APPR'D			
				STD			
				COM MD PD HW			
2	27111	11.05.2005	ZSX	SIEMENS AG		147456	SHEET
1	25179	24.03.2005	TLL				1+
VERS.	CHANGE NUMBER	DATE	NAME	( Created by BOM number: A5B00900169571-27111 )			



PROPRIETARY DATA, COMPANY CONFIDENTIAL  
ALL RIGHTS RESERVED

ALS BETRIEBSGEHEIMNIS ANVERTRAUT  
ALLE RECHTE VORBEHALTEN



				DATE	24.03.2005	Pegasus B6E B2 Assembled AMD Variant2 B2 Layout TESTPOINT DIAGRAMM (SIDE 2)	3:1
				NAME	TLL		
				APPR'D			
				STD			
				COM MD PD HW			
2	27111	11.05.2005	ZSX	SIEMENS AG		147456	SHEET
1	25179	24.03.2005	TLL				2-
VERS.	CHANGE NUMBER	DATE	NAME	( Created by BOM number: A5B00900169571-27111 )			