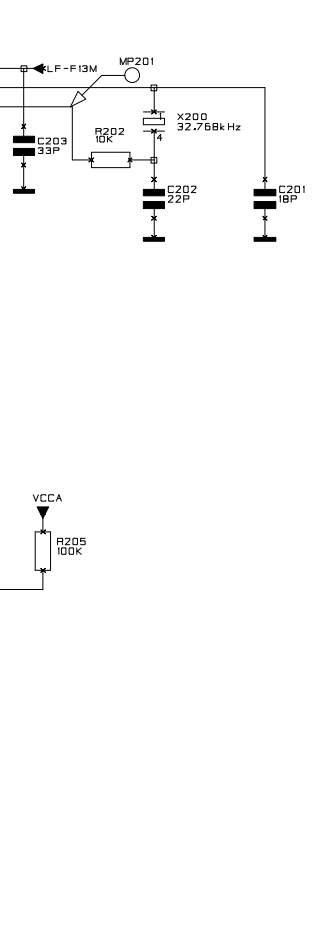
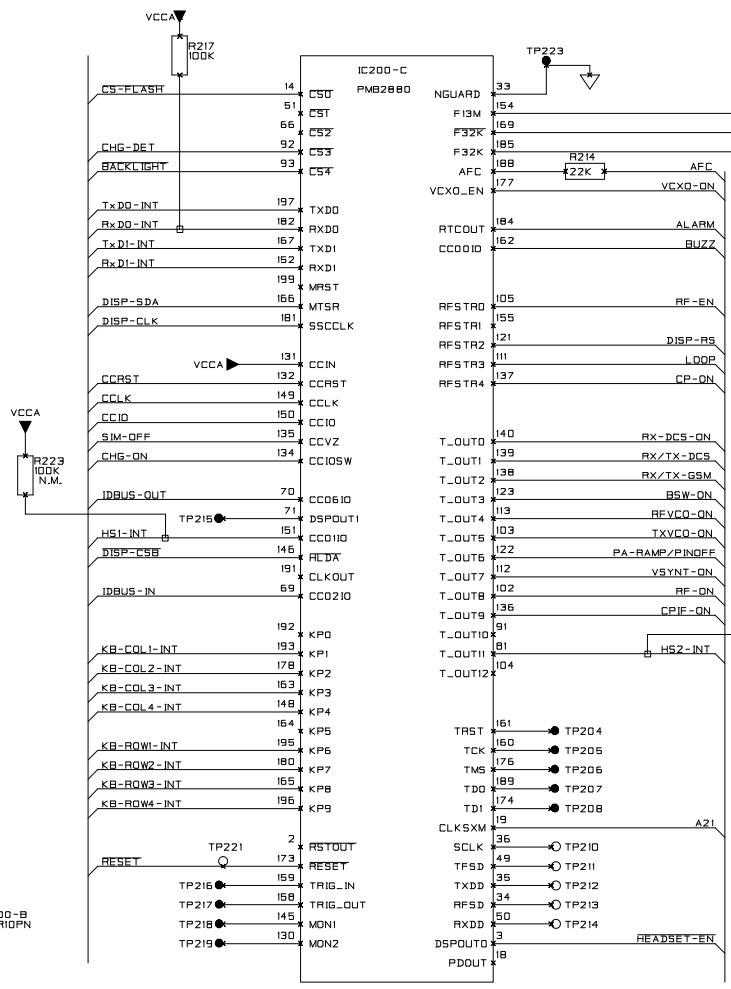
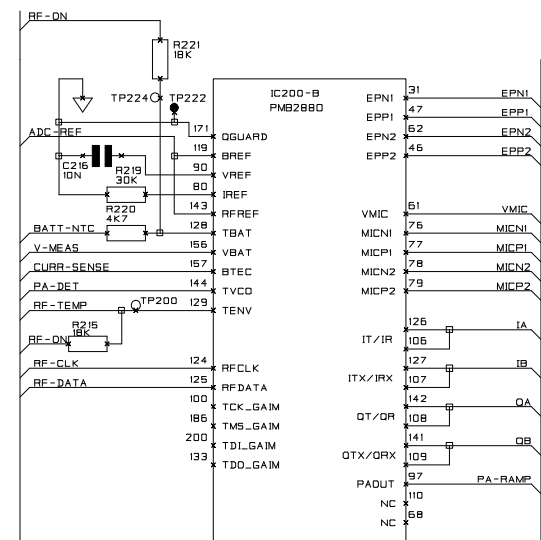
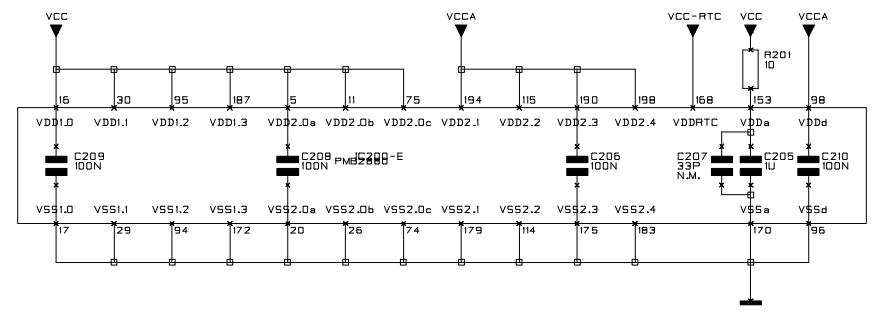
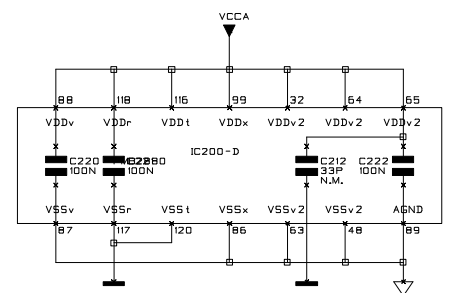
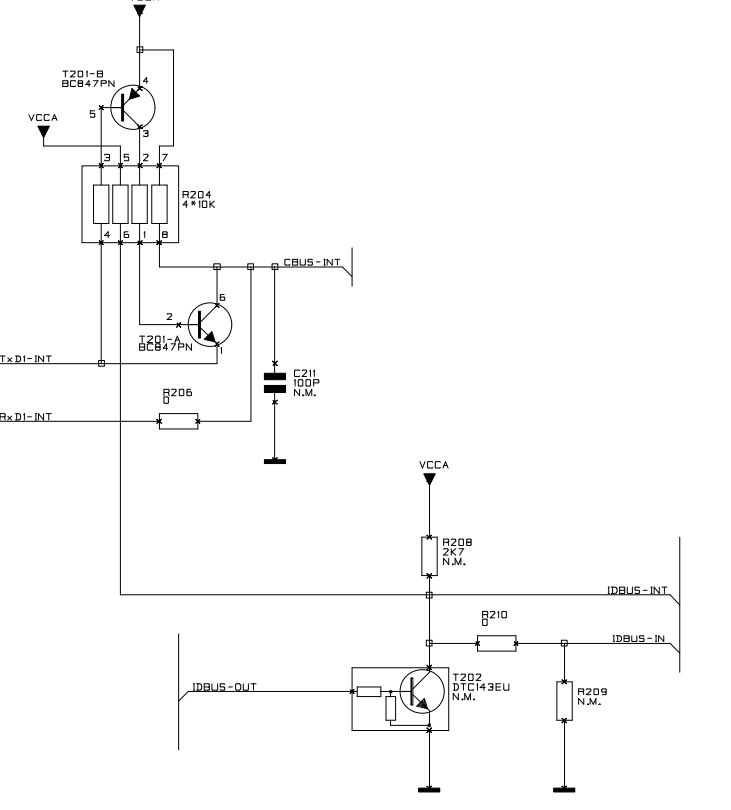
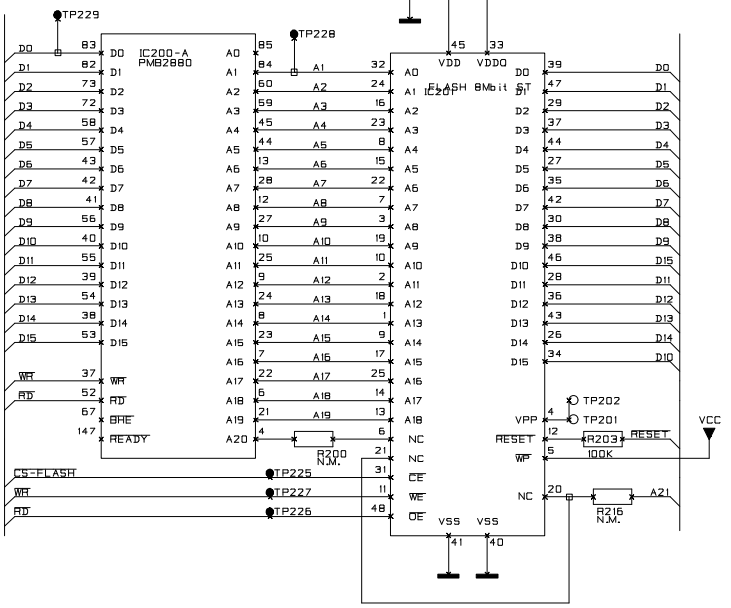
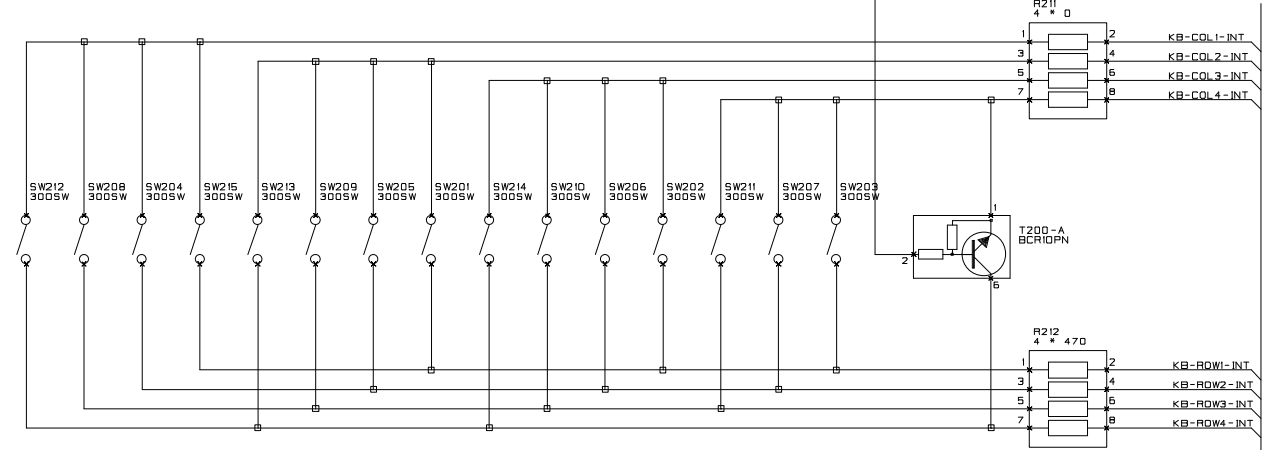
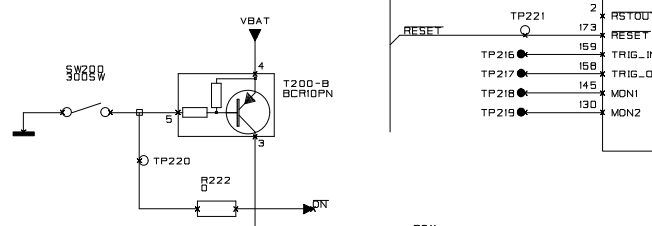


Bosch Telecom Denmark A/S DK-9490 PANDRUP			Responsible: HeL	Sector:	Recipients:
File:			Dimension: PCB: 1800.3090 H		
Date	Des.	Ref.	Text		Change
001018	DN	EJP	EM. 4252 PCB V. H		0
000831	MAC	LMM	EM. 3871 PCB V. J		N
000817	MAC	EJP	EM. 3760		M
990419	PBN/MC	HEL	DPRETTET		
Page: 9 of 9			Description: GSM-300 PSU		No.: 09309.200 03-001

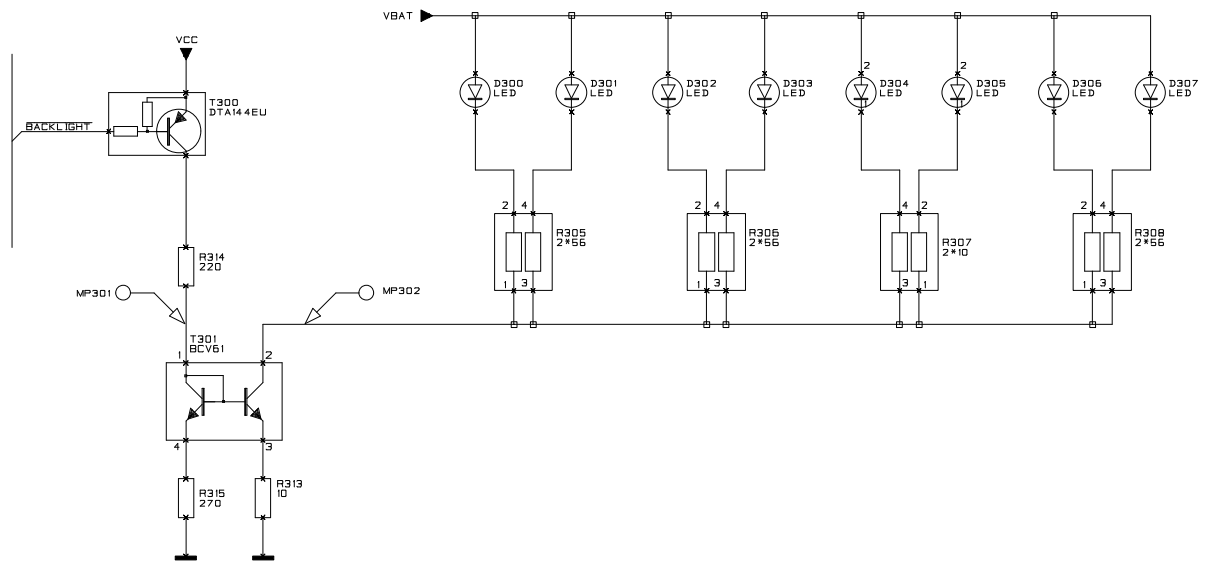
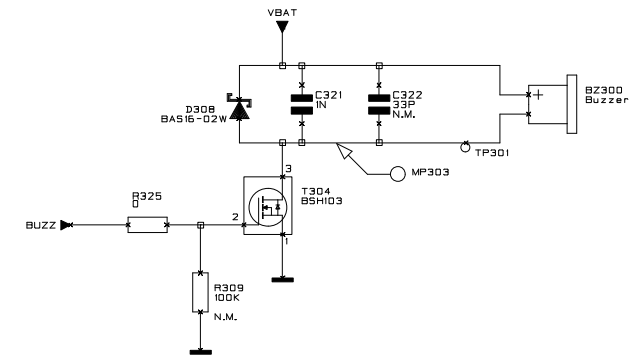
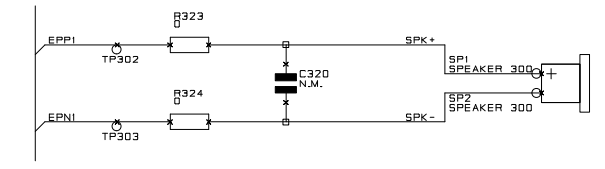
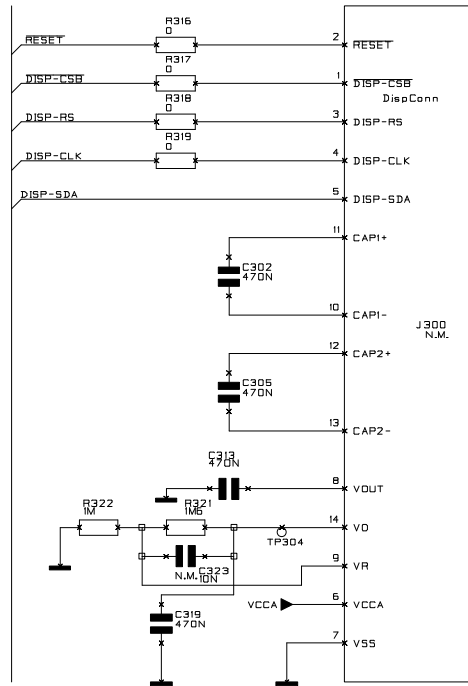
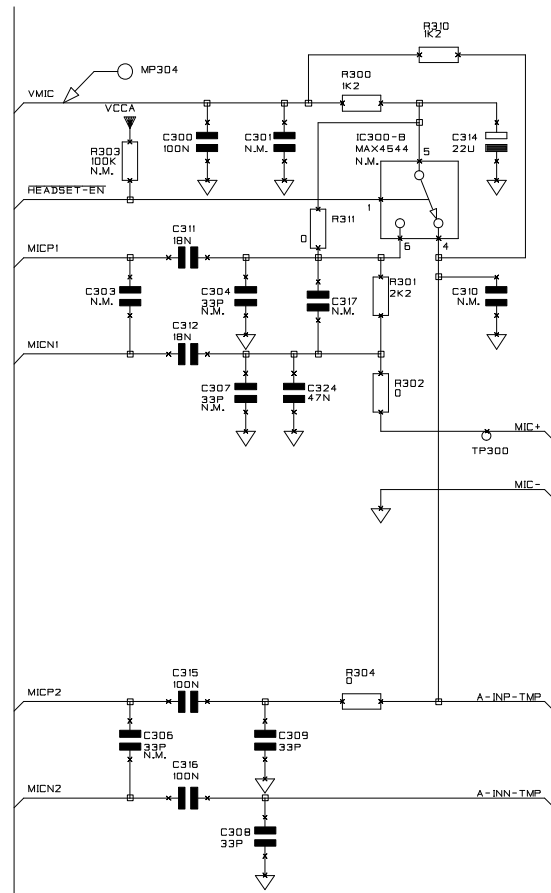
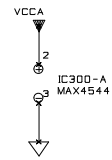


KEYBOARD MATRIX

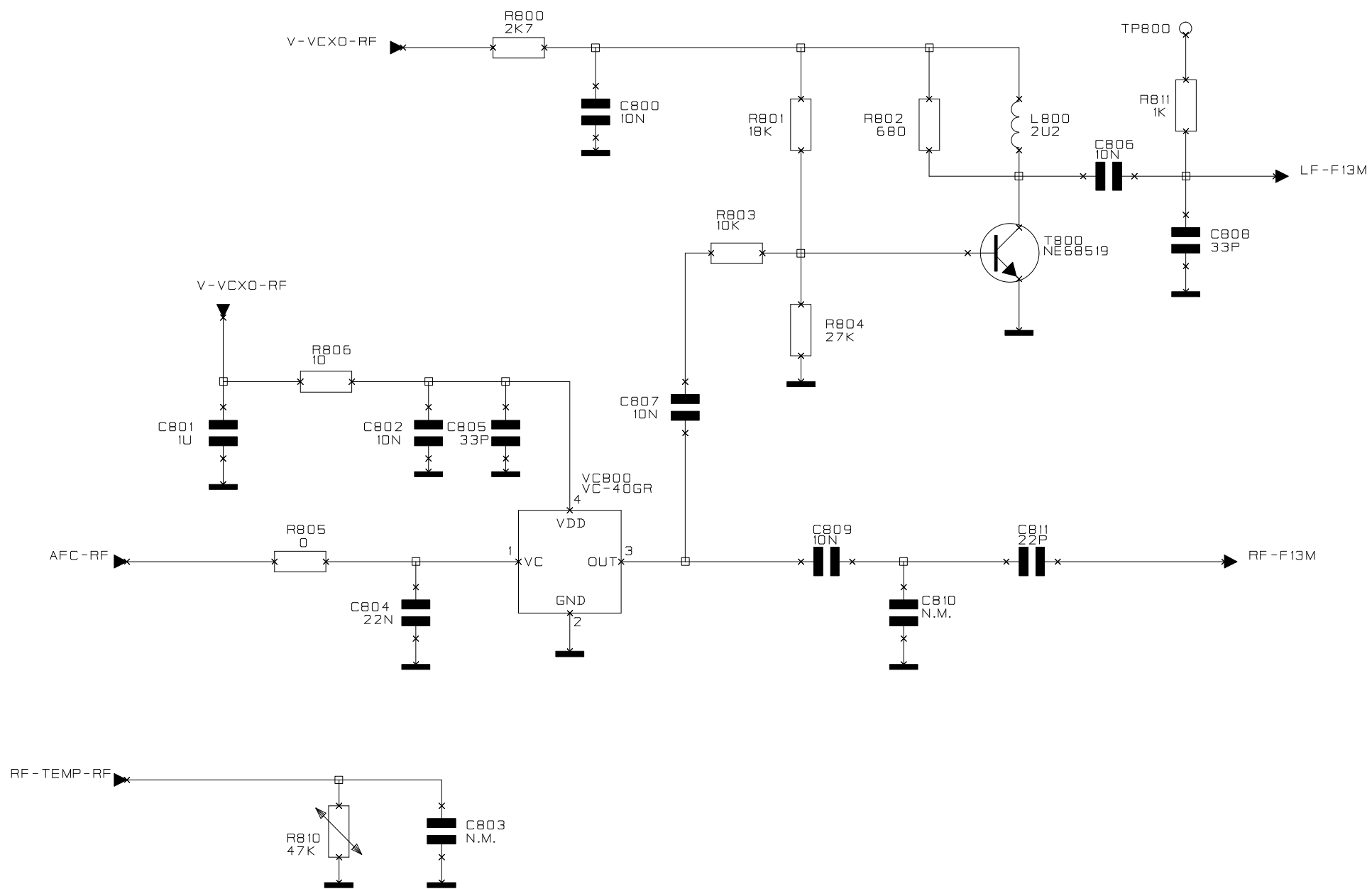
SW200	ON	SW208	1
SW201	0	SW209	2
SW202	#	SW210	3
SW203	▲	SW211	MENU
SW204	7	SW212	4
SW205	8	SW213	5
SW206	9	SW214	*
SW207	▼	SW215	.



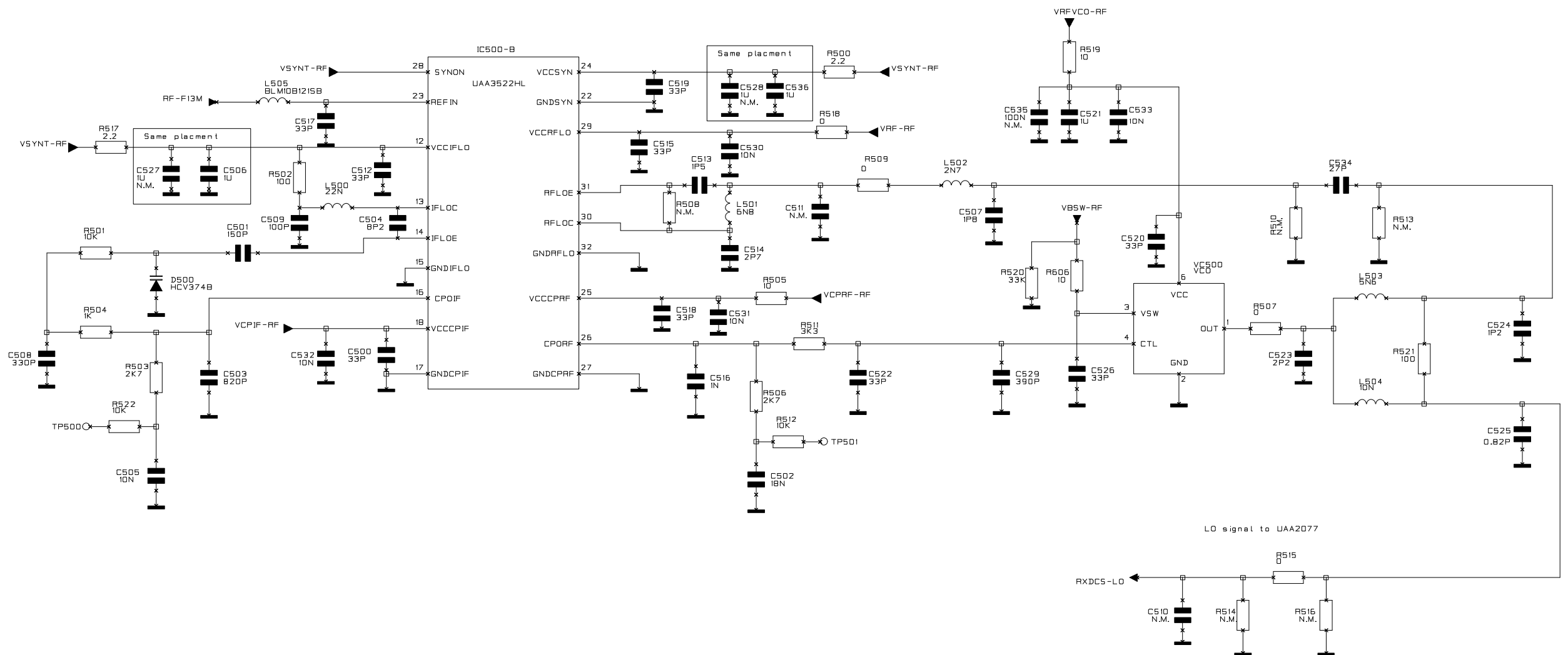
Bosch Telecom Denmark A/S DK-9490 PANDRUP				Responsible: PHJ	Sector:	Recipients:
File:				Dimension:		PCB: 1800.3090 H
Date	Des.	Ref.	Text			Change
000710	DN	LMM	AM, 3438			F
000627	MAC	LMM	AM, 3220 Type Approval F1			E
000831	MAC	LMM	AM, 3871 PCB V. J			G
990418	PBN/MC	PHJ	OPRETTET			
Page: 8 of 9				Description: GSM-300 DIGITAL ST	No.:	09309.200 03-001



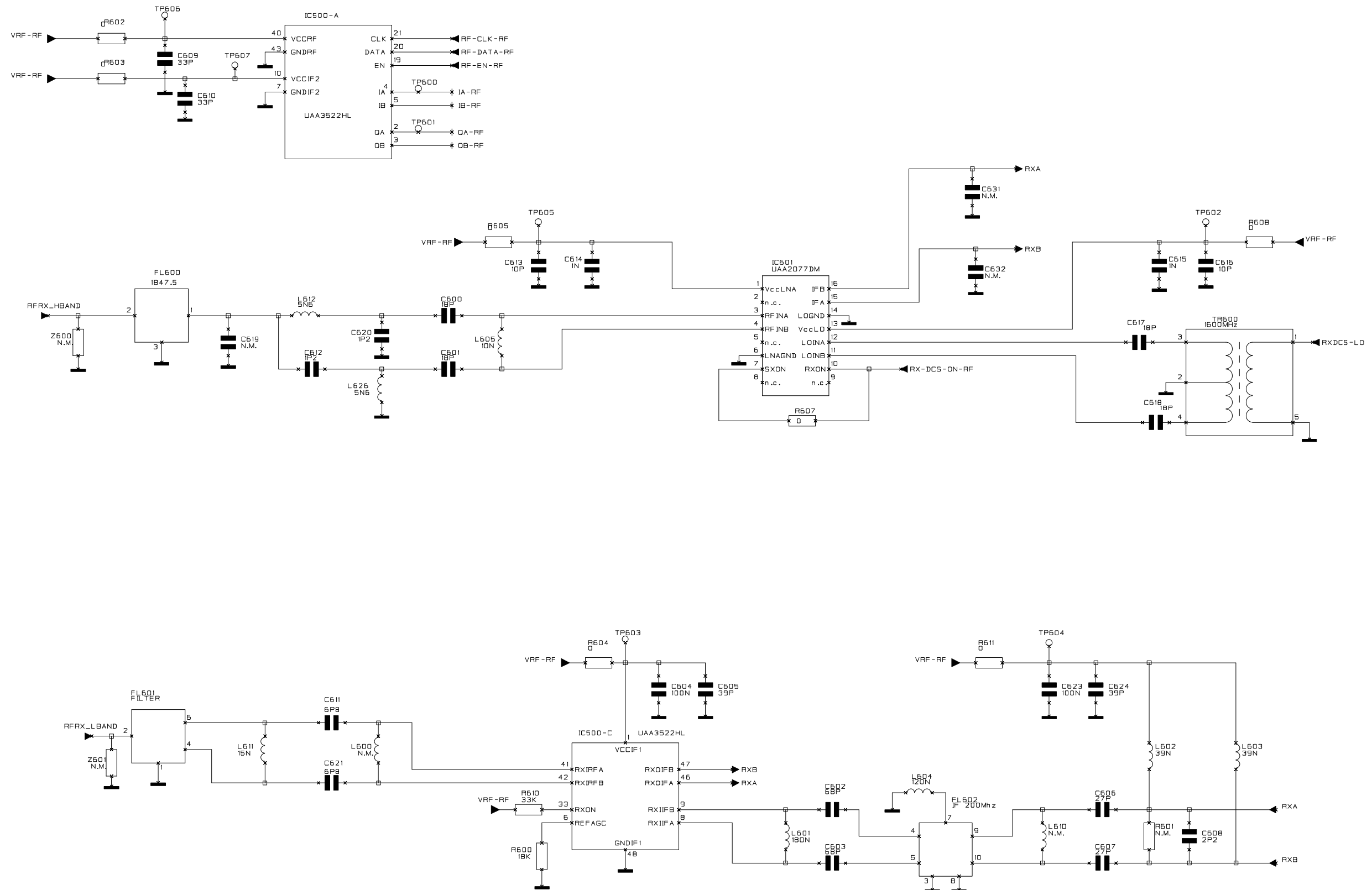
Bosch Telecom Denmark A/S DK-9490 PANDRUP			Responsible: JMD	Sector:	Recipients:
File:			Dimension: PCB: 1800.3090 H		
Date	Des.	Ref.	Text		
000913	MAC	EJP	AM, 3942 PCB V. J		
001207	MBR	EJP	AM, 4369 PCB V. H		
001205	MBR	LMM	AM, 4303 PCB V. J		
990419	PBN/MC	JMD	OPRETTET		
Page: 7 of 9			Description: GSM-300 AUDIO		No.: 09309.200 03-001



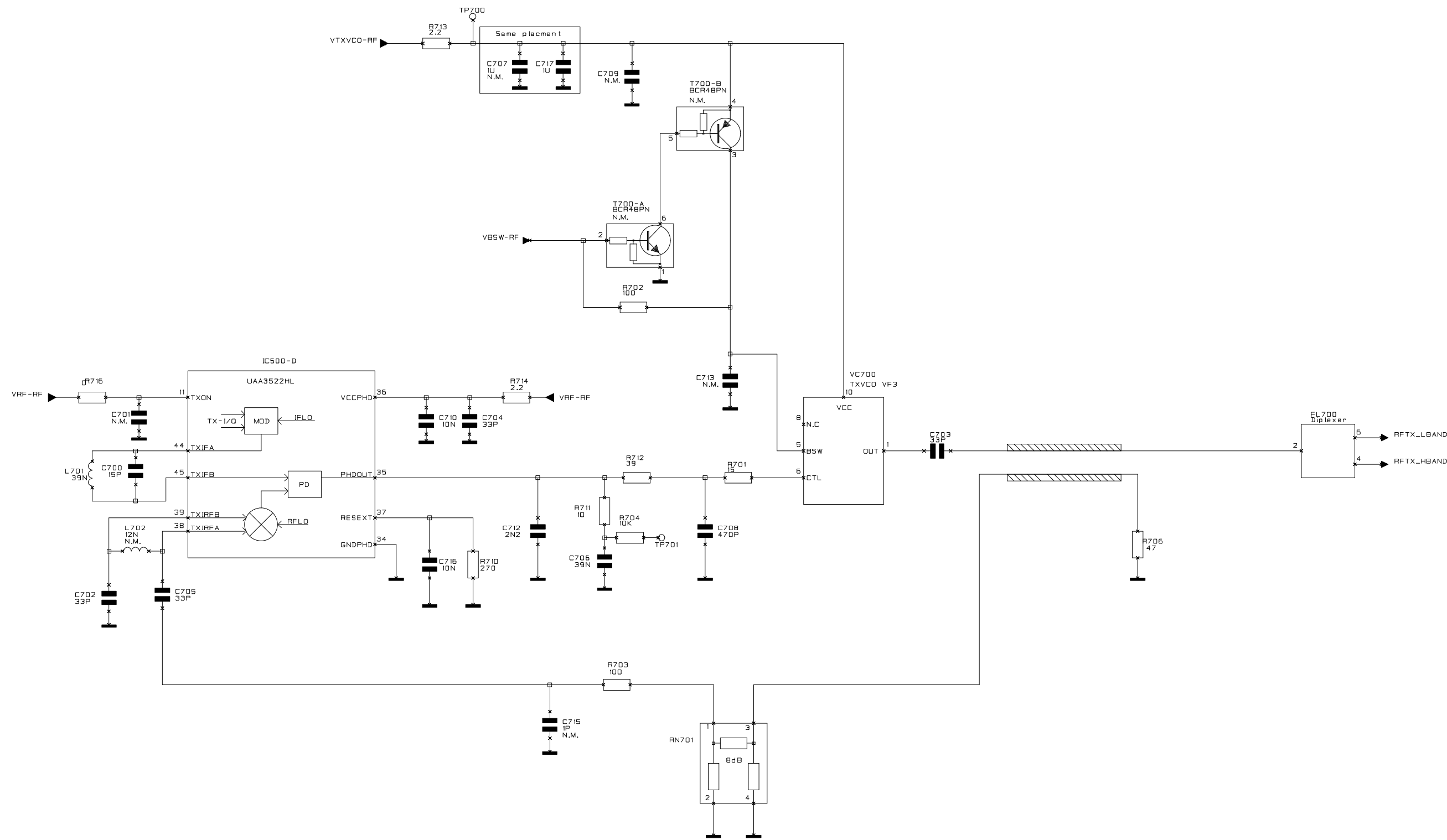
Bosch Telecom Danmark A/S DK-9490 PANDRUP		Responsible:	Sector:	Recipients:
		File: OSCIL.CSD		
		Dimension:	PCB: 1800.3090 H	
Date	Des.	Ref.	Text	Change
000714	DON	LMM	ÆM. 3494 PCB V. G	I
000831	MAC	LMM	ÆM. 3871 PCB V. J	K
000714	DON	JEH	ÆM. 3495 PCB V. H	J
990419	PPe/MC	LMM	OPRETTE T	
Page: 5 of 9		Description: REF-Oscillator diagram GSM 300		No.: 09309.200 03-001



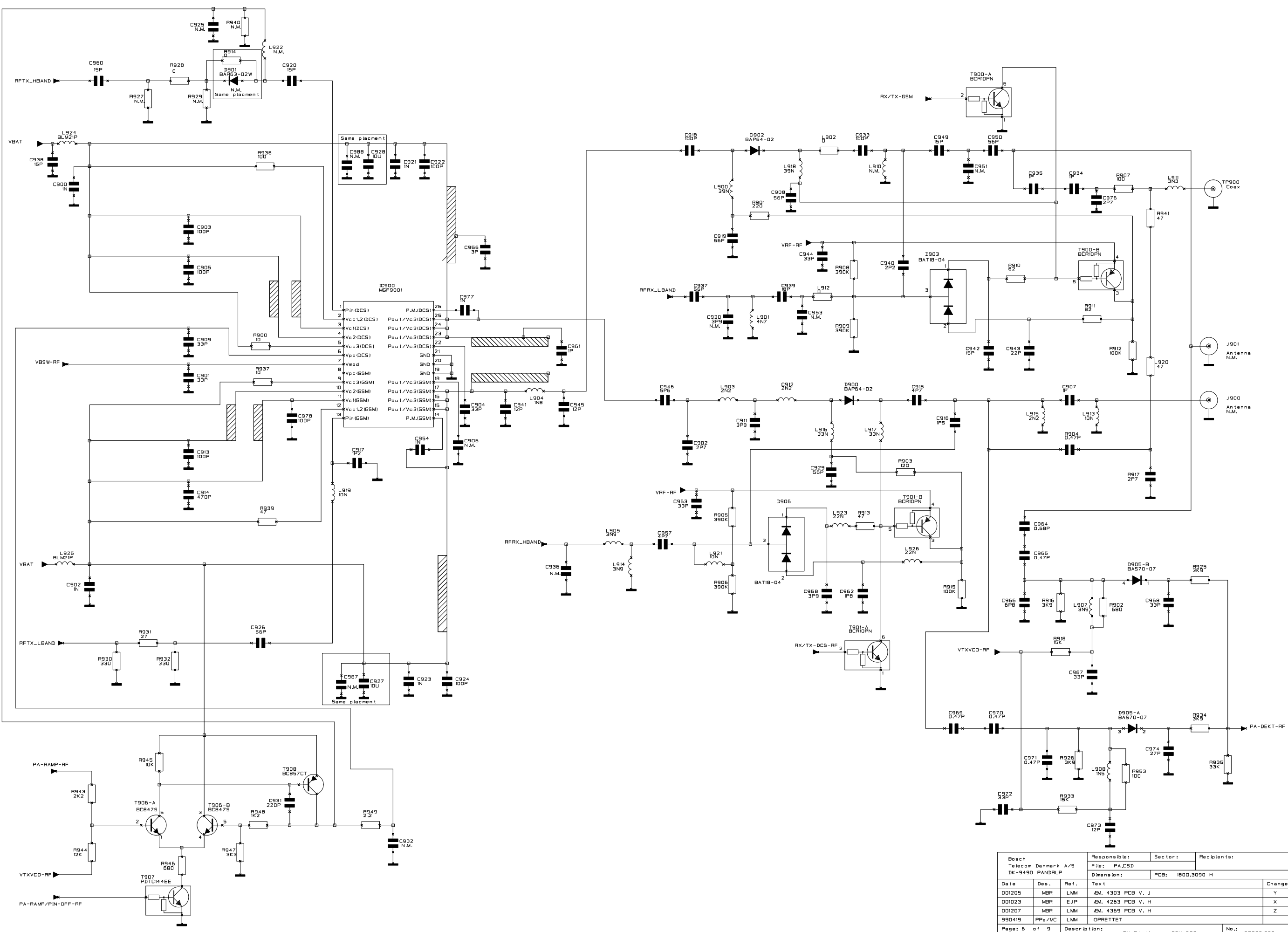
Bosch Telecom Danmark A/S DK-9490 PANDRUP		Responsible: File: SYNTHESIZER.CSD Dimension:	Sector: PCB: 1800.3090 H	Recipients:
Date	Des.	Ref.	Text	Change
000706	DON	MIB	EM. 3397	I
000808	MAC	LMM	EM. 3871 PCB V. J	K
000710	DON	LMM	EM. 3438	J
990818	PPe	LMM	OPRETTET	
Page: 2 of 9		Description: Synthesizer diagram GSM 300		No.: 09309.200 03-001



Bosch Telecom Danmark A/S DK-9490 PANDRUP		Responsible: File:RX.CSD	Sector: Dimension:	Recipients: PCB: 1800.3090 H
Date	Des.	Ref.	Text	Change
000714	DON	JEH	EM. 3495 PCB V. H	I
000714	DON	JEH	EM. 3494 PCB V. G	H
000808	PPE	LMM	EM. 3871 PCB V. J	J
990419	PPC/MC	LMM	OPRETTET	
Page: 3 of 9		Description: RX diagram GSM 300		No.: 09309.200 03-001



Bosch Telecom Danmark A/S DK-9490 PANDRUP		Responsible: File: TX.CSD Dimension:	Sector: PCB: 1800.3090 H	Recipients:
Date	Des.	Ref.	Text	Change
000808	PPE	LMM	ÆM. 3871 PCB V. J	L
000710	DON	MIB	ÆM. 3438	K
000706	DON	MIB	ÆM. 3397	J
990419	PPE/MC	LMM	OPRETTET	
Page: 4 of 9		Description: TX-modulator diagram GSM 300		No.: 09309.200 03-001



Bosch Telecom Danmark A/S DK-9490 PANDRUP		Responsible:	File: PA_CSD	Dimension:	PCB: 1800.3090 H	Recipients:
Date	Des.	Ref.	Text			Change
001205	MBR	LMM	AM. 4303 PCB V. J			Y
001023	MBR	EJP	AM. 4263 PCB V. H			X
001207	MBR	LMM	AM. 4369 PCB V. H			Z
990419	PPe/MC	LMM	OPRETTET			
Page: 6 of 9		Description: TX-PA diagram GSM 300			No.: 09309.200 03-001	