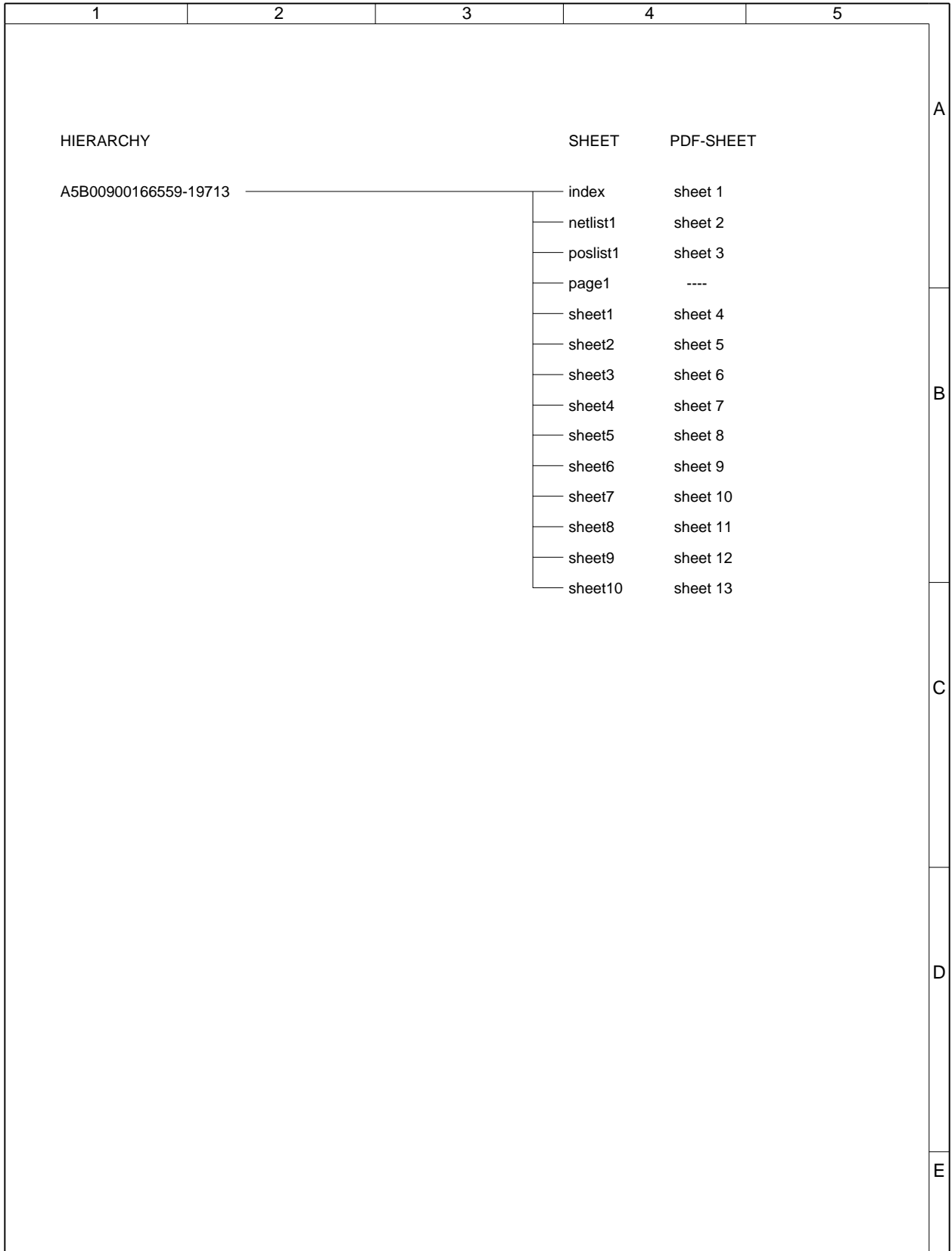


Proprietary data, company confidential.  
All rights reserved

Als Betriebsgeheimnis anvertraut  
Alle Rechte vorbehalten



				DATE	21.10.2003	C72 Cormorant IFX Assembled B2.1 Layout TOP HIERARCHY LEVEL SCHEMATIC	1:1
				USER	rba		
				APPR'D			
4	31958	27.09.2005	rba	MP UC RD LPD AAL			
3	31608	12.09.2005	rba	Siemens AG	182710	index	
2	31258	02.09.2005	rba				
1	28719	28.06.2005	rba				
VERS.	CHANGE NUMBER	DATE	NAME	( Created by BOM number: A5B00900191791-31958 )			

Proprietary data, company confidential.  
All rights reserved

Als Betriebsgeheimnis anvertraut  
Alle Rechte vorbehalten

	1	2	3	4	5	6	7	8	9	10			
	1.5V_DSP /sheet6 7 C /sheet7 8 B	/sheet5 13 E /sheet8 15 F	/sheet3 3 C /sheet3 13 C	CKE /sheet6 10 E /sheet6 15 E /sheet5 7 G	/sheet8 10 A DISPLAY_DAT /sheet4 13 C /sheet4 10 C /sheet3 2 E /sheet8 10 B	/sheet5 13 D /sheet7 3 F	LIGHT_PWM2 /sheet7 6 D /sheet10 3 B /sheet10 8 C	/sheet6 12 E /sheet6 15 E /sheet5 6 G	/sheet4 2 B /sheet4 4 B /sheet5 8 B /sheet1 8 B	/sheet5 6 G SENSE_IN1 /sheet7 3 D /sheet7 11 F	VAUDREGA /sheet7 8 C /sheet7 3 E /sheet7 3 C	/sheet1 12 B /sheet1 13 C /sheet1 9 D /sheet1 13 E /sheet1 13 D /sheet7 8 C	
	1.5V_UC /sheet6 7 D /sheet6 2 C /sheet7 8 B	AC_TX /sheet5 13 E /sheet8 15 F	CAMERA_DATA_CLK /sheet3 13 B /sheet3 2 D	CLK32 /sheet3 7 E /sheet5 5 B	I2C_DAT /sheet5 13 D /sheet7 3 F	MIC1A /sheet9 6 D /sheet9 5 E /sheet7 2 E	PM_CHARGE_UC /sheet5 5 B /sheet7 3 D	RD /sheet6 12 A /sheet5 7 G	RF_QX /sheet4 4 B /sheet4 2 B /sheet5 8 B /sheet1 8 B	SENSE_IN2 /sheet7 3 D /sheet7 11 F	VBAT /sheet5 9 B /sheet5 15 B	VDD_RTC /sheet6 2 B /sheet7 8 B /sheet7 2 C	
	1.8V_CIF /sheet3 2 A /sheet7 10 B	ADV /sheet6 15 E /sheet6 12 A /sheet5 6 G	CAMERA_HSYNC /sheet3 3 C /sheet3 13 C	CS3 /sheet6 15 F /sheet5 7 G	DISPLAY_RESET /sheet4 13 D /sheet4 10 D /sheet5 6 A /sheet8 10 A	I2S3_WA /sheet5 13 F /sheet8 10 B	IBOOST_SENSE_P /sheet7 10 E /sheet7 3 C	MIC1B /sheet9 5 E /sheet9 6 D /sheet7 2 E	PM_I2S_ADC /sheet5 13 C /sheet7 7 F	REF_GND /sheet7 2 B /sheet7 7 G	SIM_CLK /sheet5 11 A /sheet10 7 E	VBOOST /sheet4 10 D /sheet4 13 D /sheet9 8 B /sheet8 10 B /sheet7 11 D	
	1.8V_MEM1 /sheet6 7 E /sheet6 13 F /sheet6 13 F /sheet4 13 C /sheet4 10 C /sheet7 8 B /sheet7 10 B	AKKU_TYP /sheet5 13 A /sheet8 3 B	CAMERA_I2C_CLK /sheet3 8 E /sheet3 13 C	CS_FLASH /sheet6 12 A /sheet5 7 G	DISPLAY_RS /sheet4 13 D /sheet4 10 D /sheet5 6 A /sheet8 10 A	IR_AC_RX /sheet5 14 E /sheet9 10 E	MICBIAS_F /sheet9 5 D /sheet8 5 F /sheet7 8 E	PM_I2S_CLK /sheet7 3 F /sheet7 7 F	RF_AFC /sheet4 4 B /sheet4 2 B /sheet2 9 B /sheet5 7 A	RF_RAMP1 /sheet4 2 C /sheet4 4 C /sheet2 9 B /sheet5 7 A	SIM_IO /sheet5 11 B /sheet10 7 E	VBOOST_FB /sheet7 3 C /sheet7 9 D	VDD_SIM /sheet7 8 B /sheet10 7 E
	1.8V_MEM2 /sheet6 8 A /sheet6 12 B /sheet6 9 B /sheet6 11 A /sheet7 8 B /sheet7 7 D /sheet7 10 B	BATT+ /sheet4 10 E /sheet4 13 E /sheet2 10 B /sheet2 14 B /sheet3 10 E /sheet5 15 B	CAMERA_I2C_DATA /sheet3 8 F /sheet3 13 C	CS_FLASH1 /sheet6 15 F /sheet6 12 A /sheet5 7 G	DISP_CS1 /sheet3 4 G /sheet5 2 C	IR_AC_TX /sheet5 14 E /sheet9 14 E	MICEA /sheet8 6 G /sheet8 9 E /sheet7 2 E	PM_I2S_WA0 /sheet5 13 C /sheet7 7 F /sheet7 3 F	RF_ANT_DET /sheet4 2 D /sheet4 4 D /sheet5 2 E /sheet1 7 D	RF_SIN26M /sheet4 2 C /sheet4 4 C /sheet5 2 E /sheet1 7 D	SIM_RST /sheet5 11 B /sheet10 7 E	VBUCK /sheet7 2 B /sheet7 11 C	VDD_VIBRA /sheet9 1 C /sheet9 2 B /sheet7 8 B
	2.65V /sheet6 5 B /sheet6 4 B /sheet6 2 C /sheet6 7 D /sheet6 4 B /sheet5 15 D /sheet5 10 A /sheet5 4 F /page1 2 A /sheet9 10 F /sheet8 10 G /sheet8 14 E /sheet8 3 B /sheet7 8 B /sheet7 3 D	BATT+_F /sheet9 5 A /sheet9 8 C /sheet9 14 E /sheet9 2 B /sheet8 12 D /sheet8 11 D /sheet7 2 F /sheet7 3 C /sheet7 2 B /sheet7 3 B /sheet7 3 C /sheet7 3 A /sheet7 3 C /sheet7 10 H /sheet7 6 D	CAM_SENSOR_PD /sheet3 6 E /sheet3 11 E	CTS /sheet8 9 E /sheet8 12 F	FLASH_EN /sheet5 13 F /sheet8 8 F	KB_ON_OFF /sheet9 8 B /sheet7 2 C	MON1 /sheet5 3 D	PM_RESET_1.8V /sheet6 12 B /sheet7 7 C	RF_BAND_SW /sheet4 2 F /sheet4 4 A /sheet4 4 F /sheet2 14 B /sheet5 6 B	RF_CLK /sheet4 4 A /sheet4 2 A /sheet2 9 B /sheet5 5 B	STEPDOWN_GND /sheet7 10 C /sheet7 10 C /sheet7 11 C /sheet7 7 F /sheet7 3 B	VBUCK_FB /sheet7 10 C /sheet7 3 C	VREFEXS_GND /sheet7 3 G /sheet7 3 E
	2.9V /sheet6 2 B /sheet4 13 C /sheet4 10 C /sheet3 7 B /sheet9 8 C /sheet8 10 B /sheet7 8 B	BATT+_F1 /sheet7 2 B /sheet7 2 B /sheet7 9 D	CAS /sheet6 12 E /sheet6 15 E /sheet5 6 G	D(0:15) /sheet6 15 B /sheet6 11 C /sheet6 12 E /sheet5 9 G	FLASH_RESET /sheet6 12 A /sheet5 4 E	KP_IN0 /sheet5 5 G /sheet9 8 B /sheet9 13 B	MON2 /sheet5 3 D	PM_RESET_N /sheet5 3 E /sheet7 7 C	RF_TXONPA /sheet4 2 D /sheet4 4 D /sheet2 9 B /sheet5 5 B	STEPUP_GND /sheet7 10 E /sheet7 11 E /sheet7 10 E /sheet7 9 E /sheet7 10 D	STEREO1_OUT /sheet8 9 E /sheet7 6 E	VBUCK_LX /sheet7 6 C /sheet7 10 C	WAIT /sheet6 15 E /sheet6 13 B /sheet5 6 G
	2.9V_CIF /sheet3 3 A /sheet3 8 B /sheet3 6 D /sheet3 3 A /sheet3 3 E /sheet3 6 D	CHARGE_CNTRL /sheet9 4 C /sheet7 10 H /sheet7 6 D	DB_ETMCLK /sheet5 3 D	D(3) /sheet6 15 B /sheet6 11 C /sheet6 12 E /sheet5 9 G	GND_MIC /sheet9 4 E /sheet8 9 E /sheet7 7 E /sheet7 7 G	KP_IN1 /sheet5 5 G /sheet9 8 B /sheet9 14 B /sheet7 6 C	MONO1_LP_OUT /sheet7 6 E /sheet7 3 E	PM_RF2_EN /sheet5 6 B /sheet7 3 C	RF_DAT /sheet4 4 A /sheet4 2 A /sheet5 7 B /sheet1 6 F	RX /sheet8 12 F /sheet8 9 E	STEREO2_OUT /sheet8 9 E /sheet7 6 E	VDD_AFC /sheet6 4 B /sheet7 8 C	WR /sheet6 12 D /sheet6 12 A /sheet5 7 G
	A(0:24) /sheet6 15 E /sheet6 10 D /sheet6 8 F /sheet5 12 G	CHARGE_SOURCE /sheet7 10 H /sheet7 6 D	DB_RTCK /sheet5 2 D	D(3) /sheet6 15 B /sheet6 11 C /sheet6 12 E /sheet5 9 G	GSM_TX /sheet2 1 C /sheet1 13 B	KP_IN2 /sheet5 5 G /sheet9 8 B /sheet9 13 B	MONO1_OUT /sheet9 6 F /sheet8 8 E	PM_RINGIN /sheet5 11 B /sheet7 3 E	RF_FE_DTR_DCS /sheet4 2 C /sheet4 4 C /sheet2 2 E /sheet5 6 B	RX2 /sheet2 5 F /sheet1 15 C	STEREO2_OUT /sheet8 9 E /sheet7 6 E	VDD_BT /sheet7 8 C	VCXOEN_UC /sheet5 1 E /sheet7 3 D
	AC_CTS /sheet5 13 E /sheet8 15 F	CHARGE_SOURCE /sheet7 10 H /sheet7 6 D	DB_TCK /sheet5 2 C /page1 4 B	D(3) /sheet6 15 B /sheet6 11 C /sheet6 12 E /sheet5 9 G	GSM_TX_X /sheet2 1 C /sheet1 13 A	KP_IN3 /sheet5 5 G /sheet9 8 B /sheet9 13 B	MONO2_LP_OUT /sheet7 6 E /sheet7 3 E	PM_RTC_INT /sheet5 3 E /sheet7 3 C	RF_FE_DTR_GSM /sheet4 4 C /sheet4 2 C /sheet2 2 E /sheet5 6 B	RX2X /sheet2 5 F /sheet1 15 C	STEREO2_OUT /sheet8 9 E /sheet7 6 E	VDD_CAMERA /sheet3 6 F /sheet3 13 C /sheet3 14 E	VDD_CHARGE /sheet7 3 D /sheet7 9 G
	AC_DCD /sheet5 5 B /sheet8 15 F /sheet8 8 G	CIF_CLK /sheet3 7 D /sheet3 3 F /sheet5 2 C	DB_TDI /sheet5 2 C /page1 4 A	D(3) /sheet6 15 B /sheet6 11 C /sheet6 12 E /sheet5 9 G	GSM_TX_X /sheet2 1 C /sheet1 13 A	KP_IN4 /sheet5 5 G /sheet9 8 B /sheet9 13 B	MONO2_OUT /sheet9 6 G /sheet7 8 E	PM_SSC_CS /sheet5 6 B /sheet7 4 F	RF_FE_TX_DCS /sheet4 4 C /sheet4 2 C /sheet2 2 E /sheet5 6 B	RX3 /sheet2 5 F /sheet1 15 D	STEREO2_OUT /sheet8 9 E /sheet7 6 E	VDD_CAMERA /sheet3 6 F /sheet3 13 C /sheet3 14 E	VDD_CHARGE /sheet7 3 D /sheet7 9 G
	AC_RTS /sheet5 13 E /sheet8 15 F	CIF_CS /sheet3 7 C /sheet5 6 A	DB_TDO /sheet5 2 C	D(3) /sheet6 15 B /sheet6 11 C /sheet6 12 E /sheet5 9 G	GSM_TX_X /sheet2 1 C /sheet1 13 A	KP_IN3 /sheet5 5 G /sheet9 8 B /sheet9 13 B	MONO2_OUT /sheet9 6 G /sheet7 8 E	PM_SSC_MRST /sheet5 14 D /sheet7 6 F	RF_FE_TX_GSM /sheet4 4 C /sheet4 2 C /sheet2 2 E /sheet5 6 B	RX3X /sheet2 5 F /sheet1 15 D	STEREO2_OUT /sheet8 9 E /sheet7 6 E	VDD_CAMERA /sheet3 6 F /sheet3 13 C /sheet3 14 E	VDD_CHARGE /sheet7 3 D /sheet7 9 G
	AC_RX CAMERA_CLK	CIF_CS /sheet3 7 C /sheet5 6 A	DB_TDO /sheet5 2 C	D(3) /sheet6 15 B /sheet6 11 C /sheet6 12 E /sheet5 9 G	GSM_TX_X /sheet2 1 C /sheet1 13 A	KP_IN3 /sheet5 5 G /sheet9 8 B /sheet9 13 B	MONO2_OUT /sheet9 6 G /sheet7 8 E	PM_SSC_MRST /sheet5 14 D /sheet7 6 F	RF_FE_TX_GSM /sheet4 4 C /sheet4 2 C /sheet2 2 E /sheet5 6 B	RX3X /sheet2 5 F /sheet1 15 D	STEREO2_OUT /sheet8 9 E /sheet7 6 E	VDD_CAMERA /sheet3 6 F /sheet3 13 C /sheet3 14 E	VDD_CHARGE /sheet7 3 D /sheet7 9 G
		CIF_CS /sheet3 7 C /sheet5 6 A	DB_TDO /sheet5 2 C	D(3) /sheet6 15 B /sheet6 11 C /sheet6 12 E /sheet5 9 G	GSM_TX_X /sheet2 1 C /sheet1 13 A	KP_IN3 /sheet5 5 G /sheet9 8 B /sheet9 13 B	MONO2_OUT /sheet9 6 G /sheet7 8 E	PM_SSC_MRST /sheet5 14 D /sheet7 6 F	RF_FE_TX_GSM /sheet4 4 C /sheet4 2 C /sheet2 2 E /sheet5 6 B	RX3X /sheet2 5 F /sheet1 15 D	STEREO2_OUT /sheet8 9 E /sheet7 6 E	VDD_CAMERA /sheet3 6 F /sheet3 13 C /sheet3 14 E	VDD_CHARGE /sheet7 3 D /sheet7 9 G
		CIF_CS /sheet3 7 C /sheet5 6 A	DB_TDO /sheet5 2 C	D(3) /sheet6 15 B /sheet6 11 C /sheet6 12 E /sheet5 9 G	GSM_TX_X /sheet2 1 C /sheet1 13 A	KP_IN3 /sheet5 5 G /sheet9 8 B /sheet9 13 B	MONO2_OUT /sheet9 6 G /sheet7 8 E	PM_SSC_MRST /sheet5 14 D /sheet7 6 F	RF_FE_TX_GSM /sheet4 4 C /sheet4 2 C /sheet2 2 E /sheet5 6 B	RX3X /sheet2 5 F /sheet1 15 D	STEREO2_OUT /sheet8 9 E /sheet7 6 E	VDD_CAMERA /sheet3 6 F /sheet3 13 C /sheet3 14 E	VDD_CHARGE /sheet7 3 D /sheet7 9 G
		CIF_CS /sheet3 7 C /sheet5 6 A	DB_TDO /sheet5 2 C	D(3) /sheet6 15 B /sheet6 11 C /sheet6 12 E /sheet5 9 G	GSM_TX_X /sheet2 1 C /sheet1 13 A	KP_IN3 /sheet5 5 G /sheet9 8 B /sheet9 13 B	MONO2_OUT /sheet9 6 G /sheet7 8 E	PM_SSC_MRST /sheet5 14 D /sheet7 6 F	RF_FE_TX_GSM /sheet4 4 C /sheet4 2 C /sheet2 2 E /sheet5 6 B	RX3X /sheet2 5 F /sheet1 15 D	STEREO2_OUT /sheet8 9 E /sheet7 6 E	VDD_CAMERA /sheet3 6 F /sheet3 13 C /sheet3 14 E	VDD_CHARGE /sheet7 3 D /sheet7 9 G
		CIF_CS /sheet3 7 C /sheet5 6 A	DB_TDO /sheet5 2 C	D(3) /sheet6 15 B /sheet6 11 C /sheet6 12 E /sheet5 9 G	GSM_TX_X /sheet2 1 C /sheet1 13 A	KP_IN3 /sheet5 5 G /sheet9 8 B /sheet9 13 B	MONO2_OUT /sheet9 6 G /sheet7 8 E	PM_SSC_MRST /sheet5 14 D /sheet7 6 F	RF_FE_TX_GSM /sheet4 4 C /sheet4 2 C /sheet2 2 E /sheet5 6 B	RX3X /sheet2 5 F /sheet1 15 D	STEREO2_OUT /sheet8 9 E /sheet7 6 E	VDD_CAMERA /sheet3 6 F /sheet3 13 C /sheet3 14 E	VDD_CHARGE /sheet7 3 D /sheet7 9 G
		CIF_CS /sheet3 7 C /sheet5 6 A	DB_TDO /sheet5 2 C	D(3) /sheet6 15 B /sheet6 11 C /sheet6 12 E /sheet5 9 G	GSM_TX_X /sheet2 1 C /sheet1 13 A	KP_IN3 /sheet5 5 G /sheet9 8 B /sheet9 13 B	MONO2_OUT /sheet9 6 G /sheet7 8 E	PM_SSC_MRST /sheet5 14 D /sheet7 6 F	RF_FE_TX_GSM /sheet4 4 C /sheet4 2 C /sheet2 2 E /sheet5 6 B	RX3X /sheet2 5 F /sheet1 15 D	STEREO2_OUT /sheet8 9 E /sheet7 6 E	VDD_CAMERA /sheet3 6 F /sheet3 13 C /sheet3 14 E	VDD_CHARGE /sheet7 3 D /sheet7 9 G
		CIF_CS /sheet3 7 C /sheet5 6 A	DB_TDO /sheet5 2 C	D(3) /sheet6 15 B /sheet6 11 C /sheet6 12 E /sheet5 9 G	GSM_TX_X /sheet2 1 C /sheet1 13 A	KP_IN3 /sheet5 5 G /sheet9 8 B /sheet9 13 B	MONO2_OUT /sheet9 6 G /sheet7 8 E	PM_SSC_MRST /sheet5 14 D /sheet7 6 F	RF_FE_TX_GSM /sheet4 4 C /sheet4 2 C /sheet2 2 E /sheet5 6 B	RX3X /sheet2 5 F /sheet1 15 D	STEREO2_OUT /sheet8 9 E /sheet7 6 E	VDD_CAMERA /sheet3 6 F /sheet3 13 C /sheet3 14 E	VDD_CHARGE /sheet7 3 D /sheet7 9 G
		CIF_CS /sheet3 7 C /sheet5 6 A	DB_TDO /sheet5 2 C	D(3) /sheet6 15 B /sheet6 11 C /sheet6 12 E /sheet5 9 G	GSM_TX_X /sheet2 1 C /sheet1 13 A	KP_IN3 /sheet5 5 G /sheet9 8 B /sheet9 13 B	MONO2_OUT /sheet9 6 G /sheet7 8 E	PM_SSC_MRST /sheet5 14 D /sheet7 6 F	RF_FE_TX_GSM /sheet4 4 C /sheet4 2 C /sheet2 2 E /sheet5 6 B	RX3X /sheet2 5 F /sheet1 15 D	STEREO2_OUT /sheet8 9 E /sheet7 6 E	VDD_CAMERA /sheet3 6 F /sheet3 13 C /sheet3 14 E	VDD_CHARGE /sheet7 3 D /sheet7 9 G
		CIF_CS /sheet3 7 C /sheet5 6 A	DB_TDO /sheet5 2 C	D(3) /sheet6 15 B /sheet6 11 C /sheet6 12 E /sheet5 9 G	GSM_TX_X /sheet2 1 C /sheet1 13 A	KP_IN3 /sheet5 5 G /sheet9 8 B /sheet9 13 B	MONO2_OUT /sheet9 6 G /sheet7 8 E	PM_SSC_MRST /sheet5 14 D /sheet7 6 F	RF_FE_TX_GSM /sheet4 4 C /sheet4 2 C /sheet2 2 E /sheet5 6 B	RX3X /sheet2 5 F /sheet1 15 D	STEREO2_OUT /sheet8 9 E /sheet7 6 E	VDD_CAMERA /sheet3 6 F /sheet3 13 C /sheet3 14 E	VDD_CHARGE /sheet7 3 D /sheet7 9 G
		CIF_CS /sheet3 7 C /sheet5 6 A	DB_TDO /sheet5 2 C	D(3) /sheet6 15 B /sheet6 11 C /sheet6 12 E /sheet5 9 G	GSM_TX_X /sheet2 1 C /sheet1 13 A	KP_IN3 /sheet5 5 G /sheet9 8 B /sheet9 13 B	MONO2_OUT /sheet9 6 G /sheet7 8 E	PM_SSC_MRST /sheet5 14 D /sheet7 6 F	RF_FE_TX_GSM /sheet4 4 C /sheet4 2 C /sheet2 2 E /sheet5 6 B	RX3X /sheet2 5 F /sheet1 15 D	STEREO2_OUT /sheet8 9 E /sheet7 6 E	VDD_CAMERA /sheet3 6 F /sheet3 13 C /sheet3 14 E	VDD_CHARGE /sheet7 3 D /sheet7 9 G
		CIF_CS /sheet3 7 C /sheet5 6 A	DB_TDO /sheet5 2 C	D(3) /sheet6 15 B /sheet6 11 C /sheet6 12 E /sheet5 9 G	GSM_TX_X /sheet2 1 C /sheet1 13 A	KP_IN3 /sheet5 5 G /sheet9 8 B /sheet9 13 B	MONO2_OUT /sheet9 6 G /sheet7 8 E	PM_SSC_MRST /sheet5 14 D /sheet7 6 F	RF_FE_TX_GSM /sheet4 4 C /sheet4 2 C /sheet2 2 E /sheet5 6 B	RX3X /sheet2 5 F /sheet1 15 D	STEREO2_OUT /sheet8 9 E /sheet7 6 E	VDD_CAMERA /sheet3 6 F /sheet3 13 C /sheet3 14 E	VDD_CHARGE /sheet7 3 D /sheet7 9 G
		CIF_CS /sheet3 7 C /sheet5 6 A	DB_TDO /sheet5 2 C	D(3) /sheet6 15 B /sheet6 11 C /sheet6 12 E /sheet5 9 G	GSM_TX_X /sheet2 1 C /sheet1 13 A	KP_IN3 /sheet5 5 G /sheet9 8 B /sheet9 13 B	MONO2_OUT /sheet9 6 G /sheet7 8 E	PM_SSC_MRST /sheet5 14 D /sheet7 6 F	RF_FE_TX_GSM /sheet4 4 C /sheet4 2 C /sheet2 2 E /sheet5 6 B	RX3X /sheet2 5 F /sheet1 15 D	STEREO2_OUT /sheet8 9 E /sheet7 6 E	VDD_CAMERA /sheet3 6 F /sheet3 13 C /sheet3 14 E	VDD_CHARGE /sheet7 3 D /sheet7 9 G
		CIF_CS /sheet3 7 C /sheet5 6 A	DB_TDO /sheet5 2 C	D(3) /sheet6 15 B /sheet6 11 C /sheet6 12 E /sheet5 9 G	GSM_TX_X /sheet2 1 C /sheet1 13 A	KP_IN3 /sheet5 5 G /sheet9 8 B /sheet9 13 B	MONO2_OUT /sheet9 6 G /sheet7 8 E	PM_SSC_MRST /sheet5 14 D /sheet7 6 F	RF_FE_TX_GSM /sheet4 4 C /sheet4 2 C /sheet2 2 E /sheet5 6 B	RX3X /sheet2 5 F /sheet1 15 D	STEREO2_OUT /sheet8 9 E /sheet7 6 E	VDD_CAMERA /sheet3 6 F /sheet3 13 C /sheet3 14 E	VDD_CHARGE /sheet7 3 D /sheet7 9 G
		CIF_CS /sheet3 7 C /sheet5 6 A	DB_TDO /sheet5 2 C	D(3) /sheet6 15 B /sheet6 11 C /sheet6 12 E /sheet5 9 G	GSM_TX_X /sheet2 1 C /sheet1 13 A	KP_IN3 /sheet5 5 G /sheet9 8 B /sheet9 13 B	MONO2_OUT /sheet9 6 G /sheet7 8 E	PM_SSC_MRST /sheet5 14 D /sheet7 6 F	RF_FE_TX_GSM /sheet4 4 C /sheet4 2 C /sheet2 2 E /sheet5 6 B	RX3X /sheet2 5 F /sheet1 15 D	STEREO2_OUT /sheet8 9 E /sheet7 6 E	VDD_CAMERA /sheet3 6 F /sheet3 13 C /sheet3 14 E	VDD_CHARGE /sheet7 3 D /sheet7 9 G
		CIF_CS /sheet3 7 C /sheet5 6 A	DB_TDO /sheet5 2 C	D(3) /sheet6 15 B /sheet6 11 C /sheet6 12 E /sheet5 9 G	GSM_TX_X /sheet2 1 C /sheet1 13 A	KP_IN3 /sheet5 5 G /sheet9 8 B /sheet9 13 B	MONO2_OUT /sheet9 6 G /sheet7 8 E	PM_SSC_MRST /sheet5 14 D /sheet7 6 F	RF_FE_TX_GSM /sheet4 4 C /sheet4 2 C /sheet2 2 E /sheet5 6 B	RX3X /sheet2 5 F /sheet1 15 D	STEREO2_OUT /sheet8 9 E /sheet7 6 E	VDD_CAMERA /sheet3 6 F /sheet3 13 C /sheet3 14 E	VDD_CHARGE /sheet7 3 D /sheet7 9 G
		CIF_CS /sheet3 7 C /sheet5 6 A	DB_TDO /sheet5 2 C	D(3) /sheet6 15 B /sheet6 11 C /sheet6 12 E /sheet5 9 G	GSM_TX_X /sheet2 1 C /sheet1 13 A	KP_IN3 /sheet5 5 G /sheet9 8 B /sheet9 13 B	MONO2_OUT /sheet9 6 G /sheet7 8 E	PM_SSC_MRST /sheet5 14 D /sheet7 6 F	RF_FE_TX_GSM /sheet4 4 C /sheet4 2 C /sheet2 2 E /sheet5 6 B	RX3X /sheet2 5 F /sheet1 15 D	STEREO2_OUT /sheet8 9 E /sheet7 6 E	VDD_CAMERA /sheet3 6 F /sheet3 13 C /sheet3 14 E	VDD_CHARGE /sheet7 3 D /sheet7 9 G
		CIF_CS /sheet3 7 C /sheet5 6 A	DB_TDO /sheet5 2 C	D(3) /sheet6 15 B /sheet6 11 C /sheet6 12 E /sheet5 9 G	GSM_TX_X /sheet2 1 C /sheet1 13 A	KP_IN3 /sheet5 5 G /sheet9 8 B /sheet9 13 B	MONO2_OUT /sheet9 6 G /sheet7 8 E	PM_SSC_MRST /sheet5 14 D /sheet7 6 F	RF_FE_TX_GSM /sheet4 4 C /sheet4 2 C /sheet2 2 E /sheet5 6 B	RX3X /sheet2 5 F /sheet1 15 D	STEREO2_OUT /sheet8 9 E /sheet7 6 E	VDD_CAMERA /sheet3 6 F /sheet3 13 C /sheet3 14 E	VDD_CHARGE /sheet7 3 D /sheet7 9 G
		CIF_CS /sheet3 7 C /sheet5 6 A	DB_TDO /sheet5 2 C	D(3) /sheet6 15 B /sheet6 11 C /sheet6 12 E /sheet5 9 G	GSM_TX_X /sheet2 1 C /sheet1 13 A	KP_IN3 /sheet5 5 G /sheet9 8 B /sheet9 13 B	MONO2_OUT /sheet9 6 G /sheet7 8 E	PM_SSC_MRST /sheet5 14 D /sheet7 6 F	RF_FE_TX_GSM /sheet4 4 C /sheet4 2 C /sheet2 2 E /sheet5 6 B	RX3X /sheet2 5 F /sheet1 15 D	STEREO2_OUT /sheet8 9 E /sheet7 6 E	VDD_CAMERA /sheet3 6 F /sheet3 13 C /sheet3 14 E	VDD_CHARGE /sheet7 3 D /sheet7 9 G
		CIF_CS /sheet3 7 C /sheet5 6 A	DB_TDO /sheet5 2 C	D(3) /sheet6 15 B /sheet6 11 C /sheet6 12 E /sheet5 9 G	GSM_TX_X /sheet2 1 C /sheet1 13 A	KP_IN3 /sheet5 5 G /sheet9 8 B /sheet9 13 B	MONO2_OUT /sheet9 6 G /sheet7 8 E	PM_SSC_MRST /sheet5 14 D /sheet7 6 F	RF_FE_TX_GSM /sheet				

Proprietary data, company confidential.  
All rights reserved

Als Betriebsgeheimnis anvertraut  
Alle Rechte vorbehalten

	1	2	3	4	5	6	7	8	9	10
A	C1000 /sheet5 3 E	C1330-1 /sheet7 6 B	C2320 /sheet10 7 B	C4095 /sheet2 4 C	R1302 /sheet7 3 B	R3629 /sheet3 3 G	V2821-1 /sheet10 6 C			
	C1001 /sheet5 2 E	C1331-1 /sheet7 7 B	C2321 /sheet10 5 A	C4096 /sheet2 3 A	R1303 /sheet7 2 C	R3630 /sheet3 3 F	V4001-1 /sheet1 6 D			
	C1002 /sheet5 1 E	C1331-2 /sheet7 7 B	C2322 /sheet10 5 A	C4099 /sheet2 5 B	R1304 /sheet7 3 C	R3631 /sheet3 3 F	V4001-2 /sheet1 6 D			
	C1003 /sheet5 1 E	C1332-2 /sheet7 7 B	C2630 /sheet9 14 E	D1000-2 /sheet6 1 E	R1305 /sheet7 3 C	R3632 /sheet3 3 F	V4002 /sheet1 3 D			
	C1004 /sheet5 8 A	C1332-1 /sheet7 7 B	C2631 /sheet9 10 F	D1000-3 /sheet5 1 A	R1308 /sheet7 3 D	R3633 /sheet3 3 F	X1000 /sheet5 13 F			
	C1005 /sheet5 6 A	C1333 /sheet7 6 E	C2632 /sheet9 11 F	D1000-1 /sheet5 12 F	R1309 /sheet7 7 D	R3634 /sheet3 3 G	X1300 /sheet7 3 H			
	C1008 /sheet5 14 D	C1334 /sheet7 6 E	C2633 /sheet9 13 E	D1201 /sheet6 10 F	R1311 /sheet7 3 B	R3635 /sheet3 6 E	X1400 /sheet8 2 B			
	C1009 /sheet5 15 D	C1336 /sheet7 10 D	C2634 /sheet9 10 E	D1203 /sheet6 10 D	R1315 /sheet7 7 F	R3640 /sheet3 6 C	X1504 /sheet8 2 E			
	C1011 /sheet5 10 B	C1337 /sheet7 6 B	C2635 /sheet9 13 E	D1300 /sheet7 4 F	R1320 /sheet7 7 D	R3801 /sheet2 13 F	X1604 /sheet10 2 G			
	C1012 /sheet5 14 B	C1338 /sheet7 8 B	C2637 /sheet9 12 E	D3601 /sheet3 4 F	R1328 /sheet7 7 E	R3802 /sheet2 13 F	X1700 /sheet9 1 G			
	C1013 /sheet5 14 C	C1339 /sheet7 7 C	C2821 /sheet10 7 C	D4001 /sheet1 10 D	R1340 /sheet7 11 D	R3803 /sheet2 14 F	X2200 /sheet8 9 C			
	C1014 /sheet5 15 C	C1340 /sheet7 7 C	C2822 /sheet10 5 C	D4031 /sheet2 4 F	R1341 /sheet7 11 D	R3805 /sheet2 13 F	X2202 /sheet8 7 A			
	C1018 /sheet5 13 E	C1341 /sheet7 7 C	C2823 /sheet10 5 C	L1300 /sheet7 2 B	R1342 /sheet7 9 D	R3981 /sheet2 10 B	X2705 /sheet9 11 B			
	C1019 /sheet5 13 E	C1342 /sheet7 7 C	C3600 /sheet3 3 B	L1301 /sheet7 10 C	R1343 /sheet7 10 E	R3982 /sheet2 10 B	X3551 /sheet3 7 G			
	C1020 /sheet5 13 E	C1343 /sheet7 7 C	C3601 /sheet3 3 B	L1302 /sheet7 10 D	R1344 /sheet7 11 F	R3983 /sheet2 14 B	X3552 /sheet3 8 G			
	C1038 /sheet5 13 F	C1344 /sheet7 8 B	C3602 /sheet3 3 B	L1303 /sheet7 2 B	R1353 /sheet7 9 G	R4001 /sheet1 1 D	X3600 /sheet3 10 C			
	C1039 /sheet5 11 A	C1345 /sheet7 8 C	C3603 /sheet3 3 B	L1318 /sheet7 10 A	R1378 /sheet7 10 B	R4002 /sheet1 2 D	X3800 /sheet2 12 F			
	C1040 /sheet5 3 E	C1346 /sheet7 7 E	C3604 /sheet3 10 F	L1320 /sheet7 7 C	R1399 /sheet7 7 C	R4003 /sheet1 2 D	X4001 /sheet1 13 F			
	C1110 /sheet5 5 C	C1347 /sheet7 7 E	C3605 /sheet3 11 C	L1331 /sheet7 10 D	R1500 /sheet8 4 F	R4004 /sheet1 1 D	Z1000 /sheet5 2 E			
	C1120 /sheet6 2 C	C1348 /sheet7 7 E	C3606 /sheet3 11 E	L2633 /sheet9 13 E	R1501 /sheet8 4 F	R4005 /sheet1 3 D	Z1500 /sheet8 13 F			
	C1121 /sheet6 2 C	C1349 /sheet7 4 E	C3607 /sheet3 11 F	L3803 /sheet2 14 F	R1502 /sheet8 5 F	R4006 /sheet1 4 D	Z4001 /sheet1 4 D			
	C1122 /sheet6 2 B	C1350 /sheet7 7 F	C3608 /sheet3 12 F	L3994 /sheet2 13 B	R1503 /sheet8 8 E	R4007 /sheet1 5 C	Z4011 /sheet2 6 B			
	C1123 /sheet6 3 B	C1352 /sheet7 11 D	C3609 /sheet3 13 F	L3995 /sheet2 14 C	R1504 /sheet8 8 E	R4008 /sheet1 6 D	Z4012 /sheet2 6 C			
	C1124 /sheet6 3 B	C1354 /sheet7 11 C	C3610 /sheet3 2 C	L4001 /sheet1 6 D	R1505 /sheet8 6 F	R4009 /sheet1 9 C				
	C1125 /sheet6 3 B	C1355 /sheet7 11 D	C3611 /sheet3 2 D	L4012 /sheet2 2 A	R1506 /sheet8 9 G	R4010 /sheet1 7 D				
	C1126 /sheet6 4 C	C1356 /sheet7 11 D	C3621 /sheet3 3 B	L4013 /sheet2 2 B	R1508 /sheet8 8 F	R4011 /sheet1 5 D				
	C1127 /sheet6 4 C	C1357 /sheet7 10 D	C3803 /sheet2 14 F	L4014 /sheet2 6 C	R1509 /sheet8 14 D	R4012 /sheet1 6 D				
	C1128 /sheet6 5 C	C1358 /sheet7 11 D	C3804 /sheet2 15 F	L4030 /sheet2 7 B	R1510 /sheet8 14 E	R4013 /sheet1 6 C				
	C1129 /sheet6 5 B	C1360 /sheet7 10 F	C3805 /sheet2 13 G	L4031 /sheet2 8 B	R1511 /sheet8 14 E	R4014 /sheet2 2 A				
	C1130 /sheet6 5 C	C1361 /sheet7 10 F	C3980 /sheet2 13 C	L4042 /sheet2 7 F	R1512 /sheet8 7 D	R4019 /sheet1 6 D				
	C1131 /sheet6 6 D	C1362 /sheet7 11 F	C3981 /sheet2 10 B	L4044 /sheet2 3 C	R1514 /sheet8 11 D	R4021 /sheet1 10 D				
	C1132 /sheet6 6 D	C1381 /sheet7 4 E	C3982 /sheet2 10 B	L4049 /sheet1 15 D	R1515 /sheet8 12 D	R4022 /sheet1 9 F				
	C1133 /sheet6 7 D	C1382 /sheet7 4 E	C3983 /sheet2 11 B	L4051 /sheet1 14 E	R1516 /sheet8 11 D	R4024 /sheet1 10 F				
	C1134 /sheet6 7 D	C1383 /sheet7 2 E	C3984 /sheet2 12 C	L4052 /sheet1 14 C	R1524 /sheet8 6 G	R4025 /sheet1 10 F				
	C1135 /sheet6 7 D	C1384 /sheet7 2 E	C3985 /sheet2 13 B	L4053 /sheet1 15 D	R1525 /sheet8 6 F	R4035 /sheet2 8 F				
	C1136 /sheet6 6 E	C1385 /sheet7 2 E	C3986 /sheet2 13 B	L4054 /sheet1 15 C	R1591 /sheet8 9 E	R4036 /sheet2 2 E				
	C1137 /sheet6 6 E	C1386 /sheet7 2 E	C3988 /sheet2 13 B	L4055 /sheet1 15 E	R1612 /sheet10 4 E	R4038 /sheet2 2 E				
	C1139 /sheet6 6 E	C1387 /sheet7 4 E	C3989 /sheet2 14 B	L4056 /sheet1 15 E	R1613 /sheet10 4 E	R4043 /sheet2 2 C				
	C1140 /sheet6 2 C	C1391 /sheet7 6 E	C3990 /sheet2 10 C	L4058 /sheet1 15 C	R1614 /sheet10 7 E	R4044 /sheet2 4 C				
	C1141 /sheet6 7 C	C1399 /sheet7 6 E	C3991 /sheet2 11 C	L4059 /sheet1 14 D	R1615 /sheet10 4 E	R4064 /sheet1 9 D				
	C1200 /sheet6 8 B	C1400 /sheet8 3 B	C3992 /sheet2 13 C	L4060 /sheet1 15 C	R1703 /sheet9 5 F	R4077 /sheet2 8 F				
	C1201 /sheet6 9 B	C1401 /sheet8 4 B	C3993 /sheet2 14 C	L4061 /sheet1 15 D	R1704 /sheet9 5 F	R4098 /sheet1 11 F				
	C1202 /sheet6 12 G	C1402 /sheet8 4 B	C3994 /sheet2 13 C	L4062 /sheet1 15 E	R1901 /sheet9 4 D	S2700 /sheet9 13 B				
	C1203 /sheet6 12 G	C1405 /sheet8 4 B	C3996 /sheet2 10 B	N1330 /sheet7 11 D	R1902 /sheet9 4 E	TP1247 /sheet6 8 A				
	C1204 /sheet6 12 G	C1426 /sheet8 2 B	C3997 /sheet2 10 B	N1501 /sheet8 11 E	R1926 /sheet9 5 D	TP1246 /sheet6 10 B				
	C1205 /sheet6 12 G	C1502 /sheet8 6 F	C4001 /sheet1 2 D	N3600 /sheet3 11 F	R1927 /sheet9 5 D	TP3980 /sheet2 10 B				
	C1206 /sheet6 9 B	C1504 /sheet8 4 D	C4002 /sheet1 2 D	N3981 /sheet2 11 C	R2100 /sheet9 2 B	TP3600 /sheet3 11 E				
	C1207 /sheet6 13 G	C1506 /sheet8 9 F	C4003 /sheet1 3 D	R101 /page1 3 C	R2101 /sheet9 1 C	TP3601 /sheet3 13 E				
	C1208 /sheet6 9 B	C1507 /sheet8 6 D	C4004 /sheet1 3 D	R1000 /sheet5 3 F	R2102 /sheet9 2 D	TP1013 /sheet5 13 A				
	C1209 /sheet6 9 B	C1510 /sheet8 7 F	C4005 /sheet1 3 D	R1001 /sheet5 3 G	R2103 /sheet9 3 C	TP1012 /sheet5 13 A				
	C1210 /sheet6 11 B	C1512 /sheet8 7 F	C4006 /sheet1 5 D	R1006 /sheet5 3 E	R2104 /sheet9 3 C	TP1014 /sheet5 15 A				
	C1211 /sheet6 9 B	C1513 /sheet8 9 F	C4007 /sheet1 5 E	R1012 /sheet5 7 B	R2200 /sheet8 8 B	TP1022 /sheet5 9 B				
	C1220 /sheet6 9 A	C1514 /sheet8 8 F	C4008 /sheet1 6 D	R1014 /sheet5 10 B	R2300 /sheet10 4 B	TP4002 /sheet1 9 D				
	C1301 /sheet7 2 B	C1515 /sheet8 12 D	C4010 /sheet1 10 D	R1015 /sheet5 9 B	R2301 /sheet10 4 C	TP4003 /sheet1 2 B				
	C1302 /sheet7 4 A	C1522 /sheet8 5 F	C4011 /sheet1 7 C	R1016 /sheet5 13 A	R2310 /sheet10 4 A	TP4004 /sheet1 7 D				
	C1303 /sheet7 4 B	C1523 /sheet8 5 D	C4012 /sheet1 7 D	R1018 /sheet5 13 A	R2311 /sheet10 6 B	TP4005 /sheet1 9 D				
	C1304-1 /sheet7 2 B	C1524 /sheet8 7 F	C4019 /sheet1 6 C	R1021 /sheet5 15 A	R2632 /sheet9 12 E	TP1509 /sheet8 14 D				
	C1304-2 /sheet7 2 B	C1527 /sheet8 11 D	C4020 /sheet1 7 D	R1022 /sheet5 15 B	R2635 /sheet9 13 E	TP1309 /sheet7 8 B				
	C1305 /sheet7 10 B	C1528 /sheet8 14 D	C4021 /sheet1 8 F	R1023 /sheet5 15 C	R2727 /sheet9 8 B	TP1312 /sheet7 8 B				
	C1306 /sheet7 3 B	C1541 /sheet8 6 F	C4022 /sheet1 8 F	R1024 /sheet5 15 D	R2728 /sheet9 8 C	TP1306 /sheet7 8 B				
	C1307 /sheet7 3 B	C1601 /sheet10 4 F	C4023 /sheet1 8 F	R1025 /sheet5 15 D	R2729 /sheet9 8 C	TP1317 /sheet7 8 B				
	C1308 /sheet7 3 D	C1602 /sheet10 5 F	C4024 /sheet1 10 E	R1026 /sheet5 3 C	R2820 /sheet10 8 C	TP1307 /sheet7 8 B				
	C1309 /sheet7 4 D	C1603 /sheet10 5 F	C4025 /sheet1 10 E	R1027 /sheet5 3 C	R2821 /sheet10 7 C	TP1302 /sheet7 4 D				
	C1310 /sheet7 4 D	C1604 /sheet10 5 F	C4026 /sheet1 10 E	R1028 /sheet5 3 C	R2872 /sheet10 4 C	TP1327 /sheet7 10 C				
	C1311 /sheet7 4 D	C1605 /sheet10 6 F	C4027 /sheet2 8 B	R1029 /sheet5 3 C	R3600 /sheet3 6 F	TP1311 /sheet7 8 B				
	C1312 /sheet7 4 D	C1606 /sheet10 5 F	C4028 /sheet1 10 E	R1030 /sheet5 5 A	R3601 /sheet3 6 F	TP1308 /sheet7 8 B				
	C1313 /sheet7 4 D	C1705 /sheet9 4 F	C4029 /sheet1 11 E	R1031 /sheet5 6 A	R3602 /sheet3 13 C	TP1318 /sheet7 6 C				
	C1314 /sheet7 4 D	C1708 /sheet9 4 F	C4030 /sheet1 12 E	R1032 /sheet5 7 B	R3603 /sheet3 3 D	TP1321 /sheet7 7 C				
	C1315-2 /sheet7 10 B	C1709 /sheet9 4 F	C4031 /sheet1 12 E	R1038 /sheet5 10 A	R3604 /sheet3 13 B	TP1320 /sheet7 7 C				
	C1315-1 /sheet7 10 B	C1901 /sheet9 3 D	C4032 /sheet1 13 E	R1039 /sheet5 9 A	R3605 /sheet3 13 B	TP1310 /sheet7 8 B				
	C1316 /sheet7 7 C	C1902 /sheet9 3 E	C4034 /sheet2 5 C	R1040 /sheet5 2 F	R3606 /sheet3 13 B	TP1334 /sheet7 7 C				
	C1317 /sheet7 3 E	C1904 /sheet9 3 E	C4037 /sheet1 9 F	R1041 /sheet5 3 F	R3607 /sheet3 13 B	V1302 /sheet7 10 C				
	C1318-1 /sheet7 11 B	C2100 /sheet9 3 B	C4038 /sheet1 10 F	R1042 /sheet5 2 G	R3608 /sheet3 13 B	V1303 /sheet7 11 D				
	C1318-2 /sheet7 11 B	C2101 /sheet9 3 B	C4039 /sheet1 10 F	R1043 /sheet5 3 F	R3609 /sheet3 13 B	V1304 /sheet7 10 E				
	C1319 /sheet7 3 E	C2110 /sheet9 6 A	C4040 /sheet1 11 F	R1045 /sheet5 3 G	R3610 /sheet3 13 B	V1305-2 /sheet7 10 G				
	C1320 /sheet7 8 C	C2130 /sheet9 9 C	C4044 /sheet2 6 C	R1046 /sheet5 2 G	R3611 /sheet3 13 B	V1305-1 /sheet7 10 G				
	C1321 /sheet7 3 E	C2131 /sheet9 9 C	C4063 /sheet1 12 B	R1047 /sheet5 3 G	R3612 /sheet3 13 C	V1400 /sheet8 3 B				
	C1322 /sheet7 3 E	C2132 /sheet9 10 C	C4066 /sheet1 12 C	R1048 /sheet5 2 G	R3613 /sheet3 13 C	V1500 /sheet8 9 G				
	C1323 /sheet7 3 E	C2133 /sheet9 10 C	C4067 /sheet1 12 C	R1049 /sheet5 3 G	R3614 /sheet3 13 C	V1605 /sheet10 3 F				
	C1324 /sheet7 3 E	C2200 /sheet8 9 B	C4068 /sheet1 13 C	R1050 /sheet5 2 G	R3615 /sheet3 13 C	V2100 /sheet9 4 A				
	C1325 /sheet7 3 E	C2201 /sheet8 9 B	C4069 /sheet1 9 C	R1051 /sheet5 3 G	R3616 /sheet3 13 C	V2101 /sheet9 3 B				
	C1326 /sheet7 3 F	C2202 /sheet8 9 B	C4070 /sheet1 9 C	R1052 /sheet5 2 G	R3617 /sheet3 13 C	V2102 /sheet9 2 C				
	C1327 /sheet7 3 F	C2203 /sheet8 8 B	C4071 /sheet1 9 C	R1130 /sheet6 2 C	R3618 /sheet3 11 C	V2302-1 /sheet10 5 B				
	C1328 /sheet7 4 F	C2231 /sheet8 9 B	C4074 /sheet2 2 F	R1200 /sheet6 11 A	R3619 /sheet3 11 F	V2302-2 /sheet10 6 A				
	C1329-1 /sheet7 6 B	C2232 /sheet8 10 B	C4075 /sheet2 2 F	R1210 /sheet6 9 B	R3625 /sheet3 3 E	V2303 /sheet10 3 B				
	C1329-2 /sheet7 6 B	C2233 /sheet8 9 B	C4076 /sheet2 6 F	R1211 /sheet6 9 D	R3626 /sheet3 2 E	V2650 /sheet9 12 E				
	C1330-2 /sheet7 6 B	C2235 /sheet8 10 B	C4078 /sheet2 7 F	R1300 /sheet7 3 B	R3627 /sheet3 3 F	V2821-2 /sheet10 6 C				
B										
C										
D										
E										

VERS.	CHANGE NUMBER	DATE	NAME	DATE	21.10.2003	C72 Cormorant IFX Assembled B2.1 Layout TOP HIERARCHY LEVEL SCHEMATIC	1:1
				USER	rba		
		</					

# RF\_IFX\_SMARTI

● TP4003 n.c.

4061-4079

## OSCILLATOR

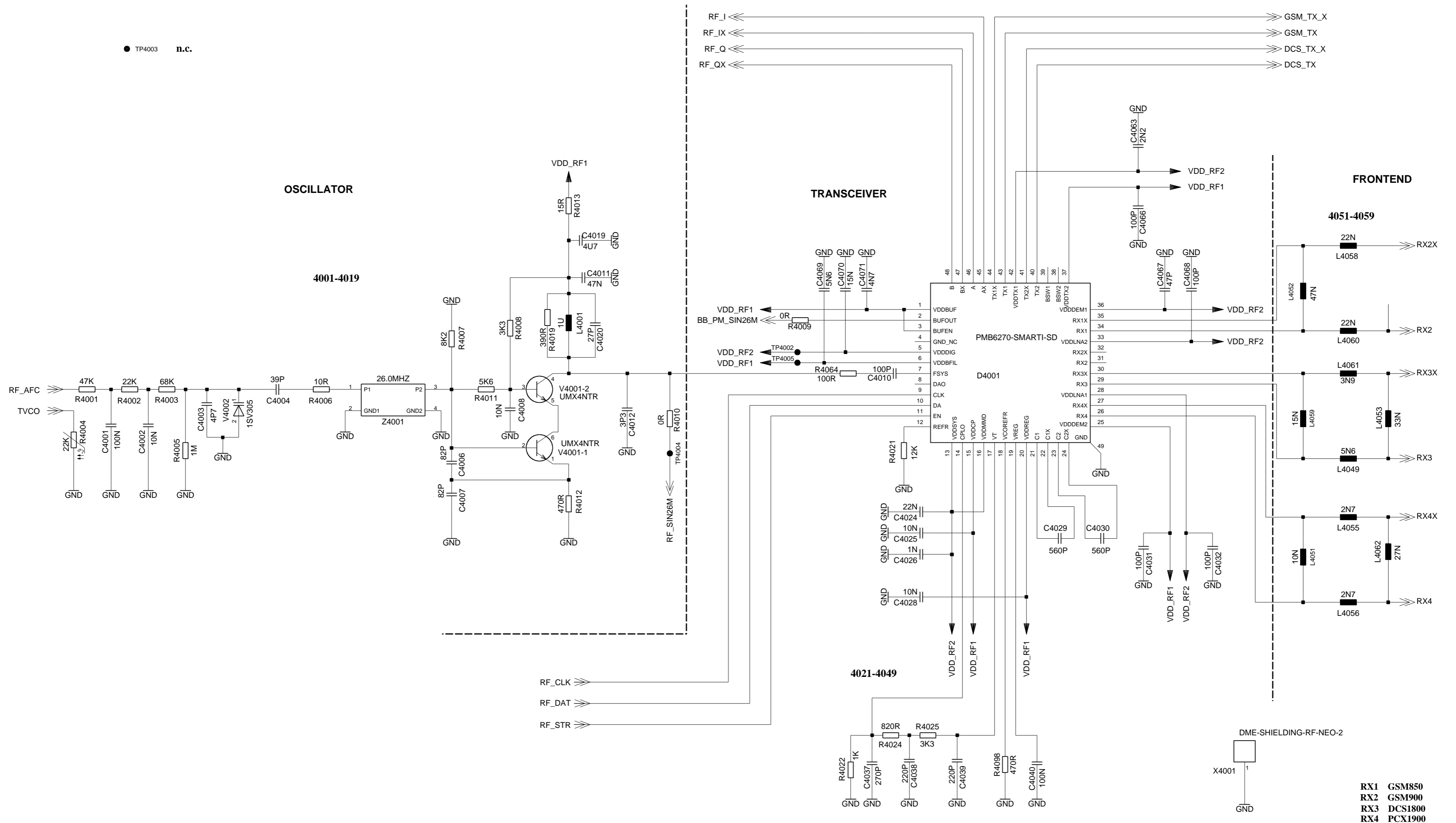
4001-4019

## TRANSCEIVER

4021-4049

## FRONTEND

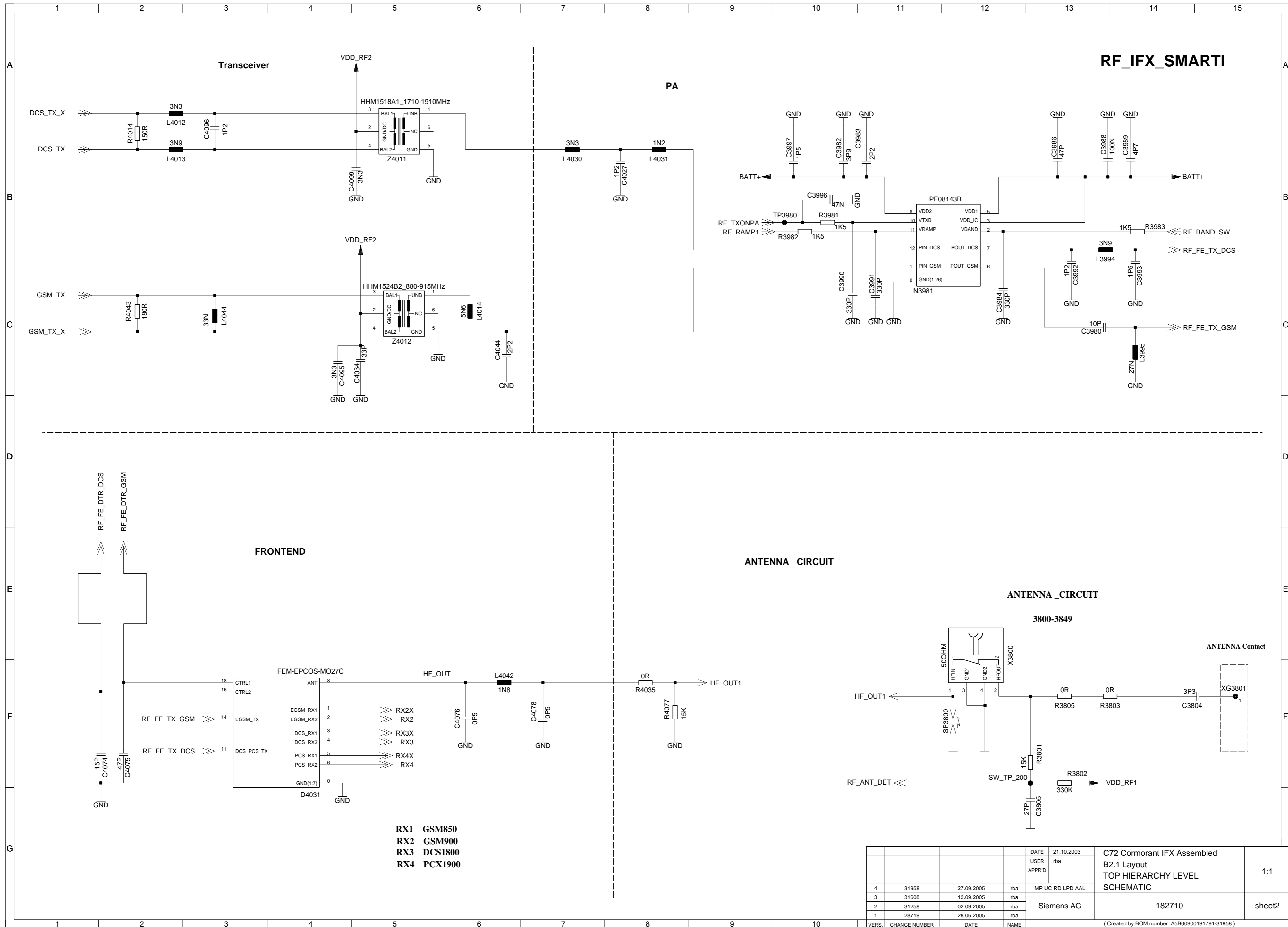
4051-4059



DATE	21.10.2003	C72 Cormorant IFX Assembled B2.1 Layout TOP HIERARCHY LEVEL SCHEMATIC	1:1				
USER	rba						
APPR'D							
4	31958	27.09.2005	rba	MP UC RD LPD AAL	Siemens AG	182710	sheet1
3	31608	12.09.2005	rba				
2	31258	02.09.2005	rba				
1	28719	28.06.2005	rba				
VERS.	CHANGE NUMBER	DATE	NAME	( Created by BOM number: A5B00900191791-31958 )			

Proprietary data. Company confidential.  
all rights reserved

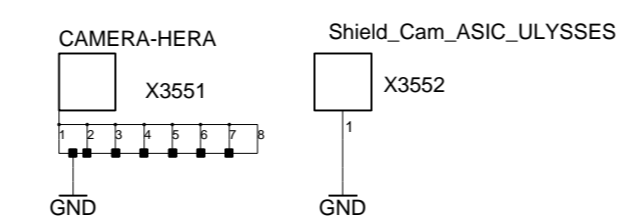
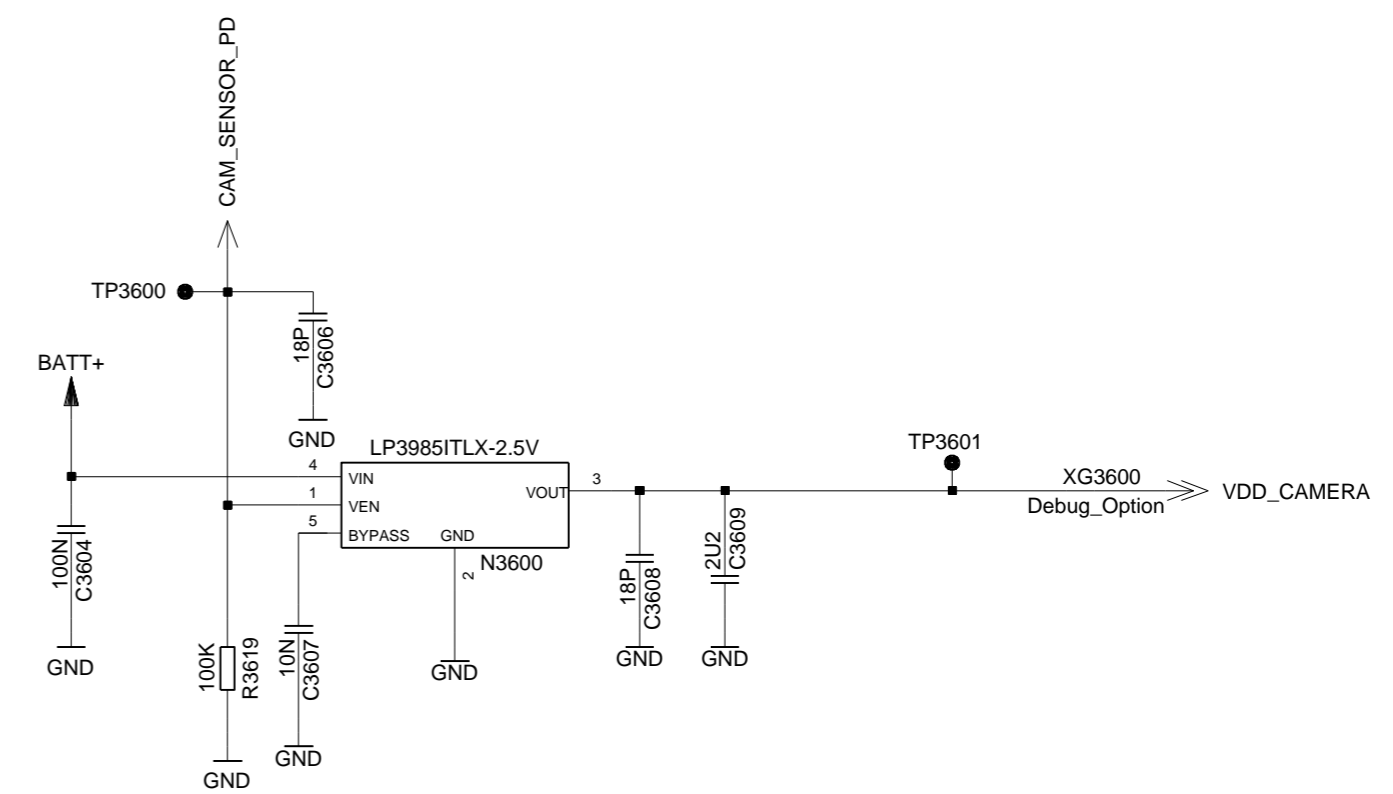
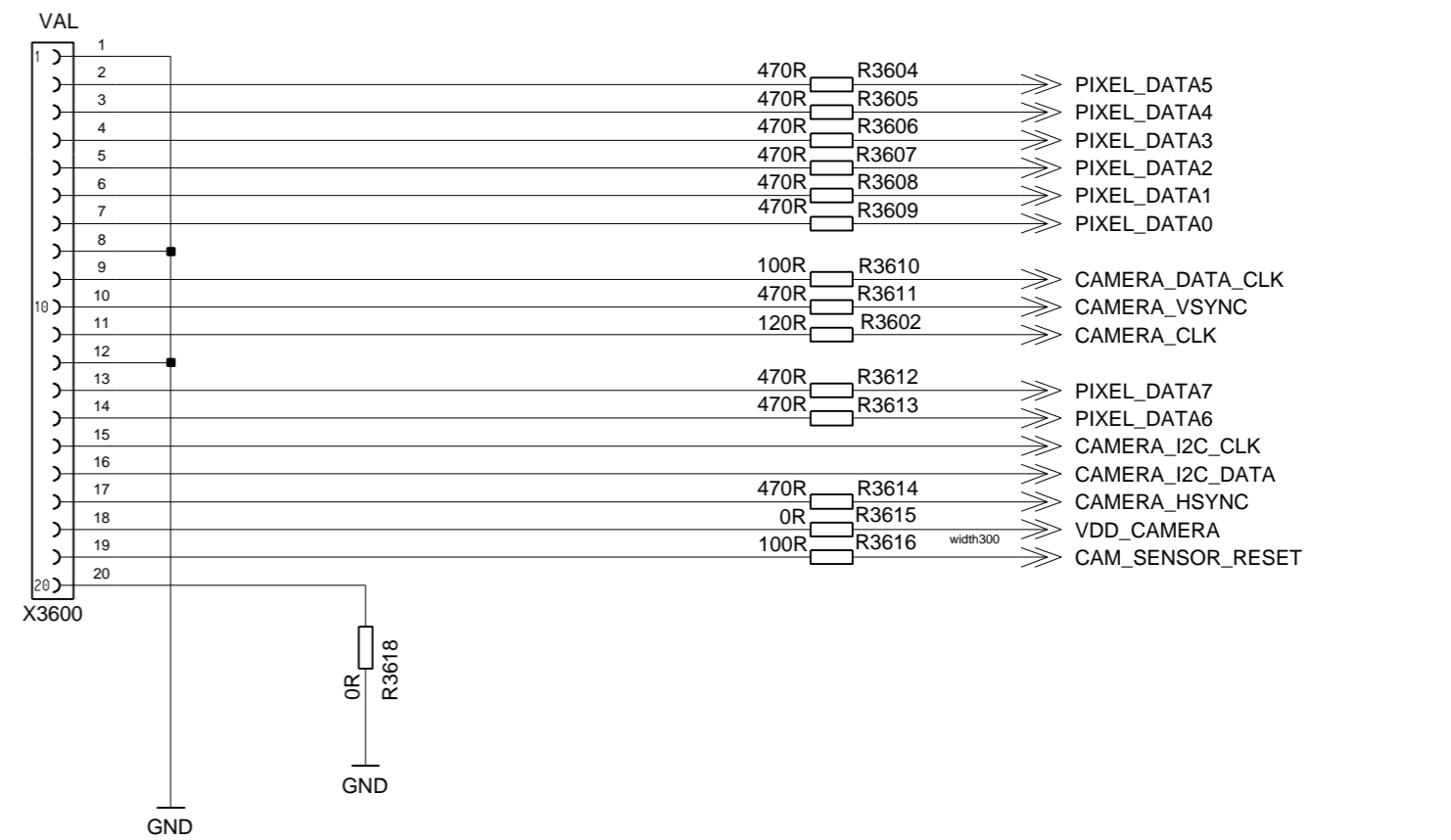
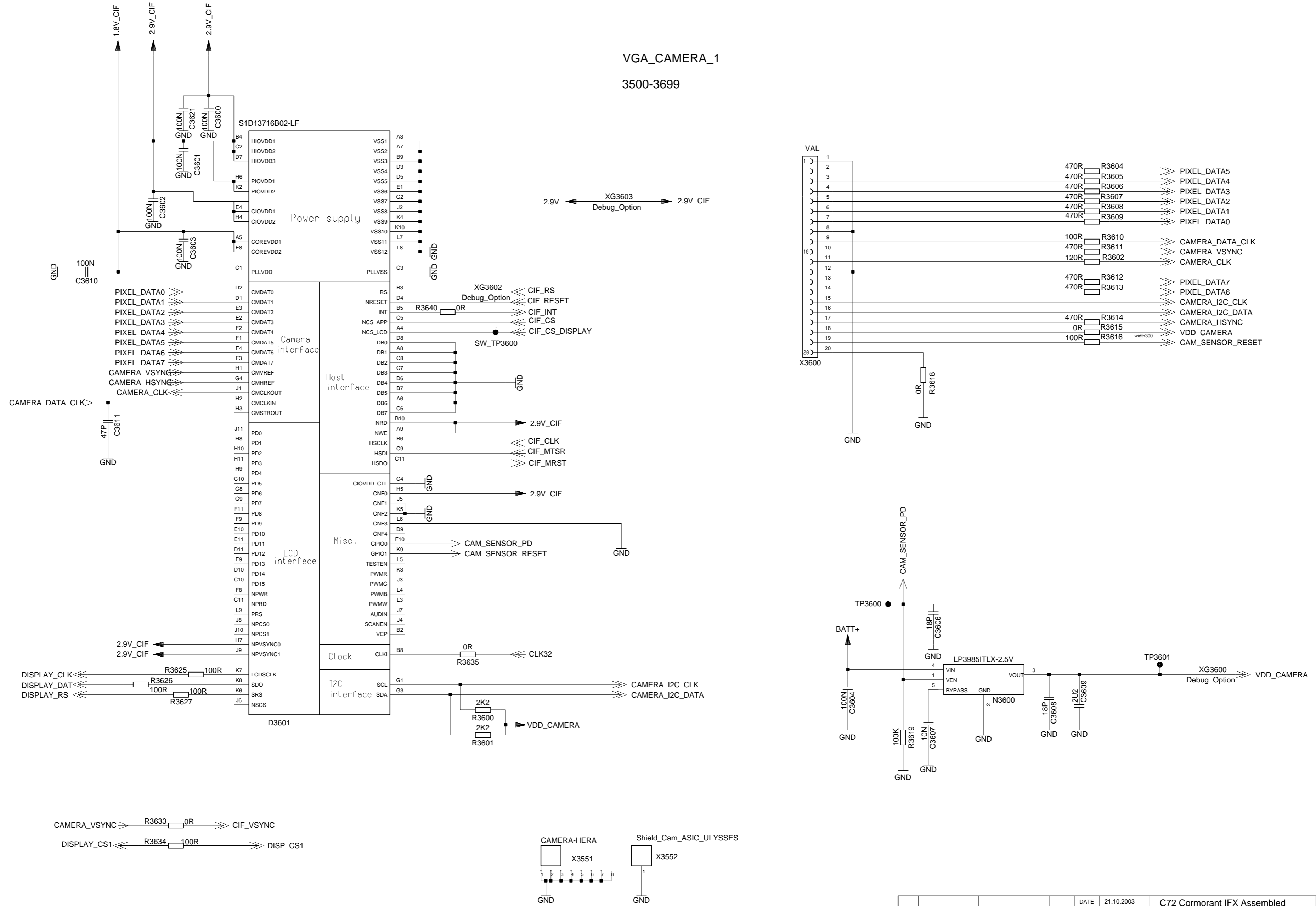
Als Betriebsgeheimnis anvertraut  
alle Rechte vorbehalten



- RX1 GSM850**
- RX2 GSM900**
- RX3 DCS1800**
- RX4 PCX1900**

DATE	21.10.2003	C72 Cormorant IFX Assembled B2.1 Layout TOP HIERARCHY LEVEL SCHEMATIC	1:1				
USER	rba						
APPR'D							
4	31958	27.09.2005	rba	MP UC RD LPD AAL	Siemens AG	182710	sheet2
3	31608	12.09.2005	rba				
2	31258	02.09.2005	rba				
1	28719	28.06.2005	rba				
VERS.	CHANGE NUMBER	DATE	NAME	( Created by BOM number: A5B00900191791-31958 )			

### VGA\_CAMERA\_1 3500-3699



VERS.	CHANGE NUMBER	DATE	NAME	DATE	21.10.2003	USER	rba	APPR'D	DATE	27.09.2005	NAME	rba	DATE	12.09.2005	NAME	rba	DATE	02.09.2005	NAME	rba	DATE	28.06.2005	NAME	rba
4	31958	27.09.2005	rba	MP UC RD LPD AAL																				
3	31608	12.09.2005	rba																					
2	31258	02.09.2005	rba																					
1	28719	28.06.2005	rba																					

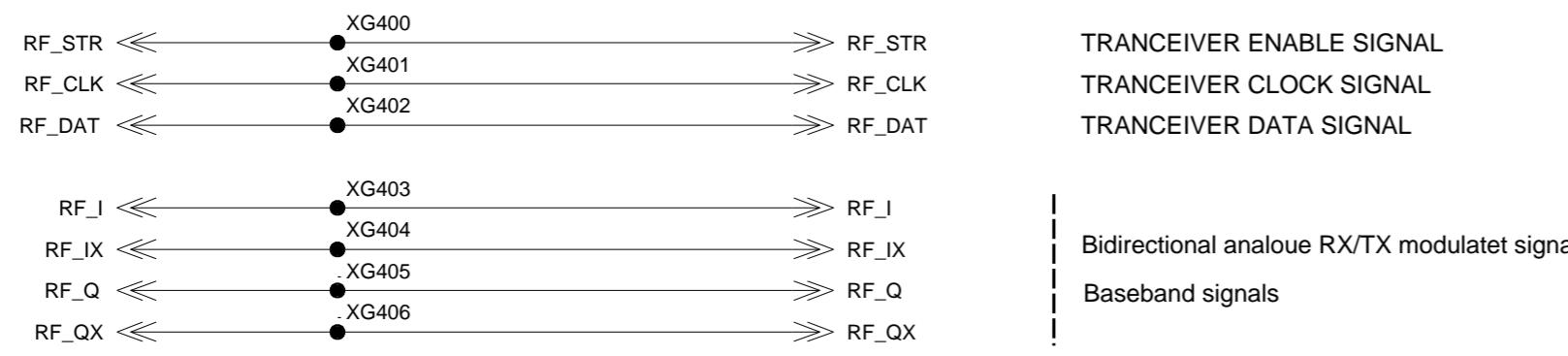
C72 Cormorant IFX Assembled  
B2.1 Layout  
TOP HIERARCHY LEVEL  
SCHEMATIC  
1:1  
sheet3  
( Created by BOM number: A5B00900191791-31958 )

Proprietary data. Company confidential.  
all rights reserved

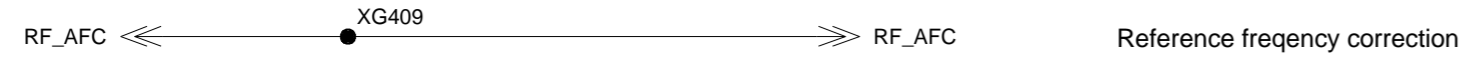
Als Betriebsgeheimnis anvertraut  
alle Rechte vorbehalten

# HIT\_POINTS LOGIK/HF\_PART\_1

400-449



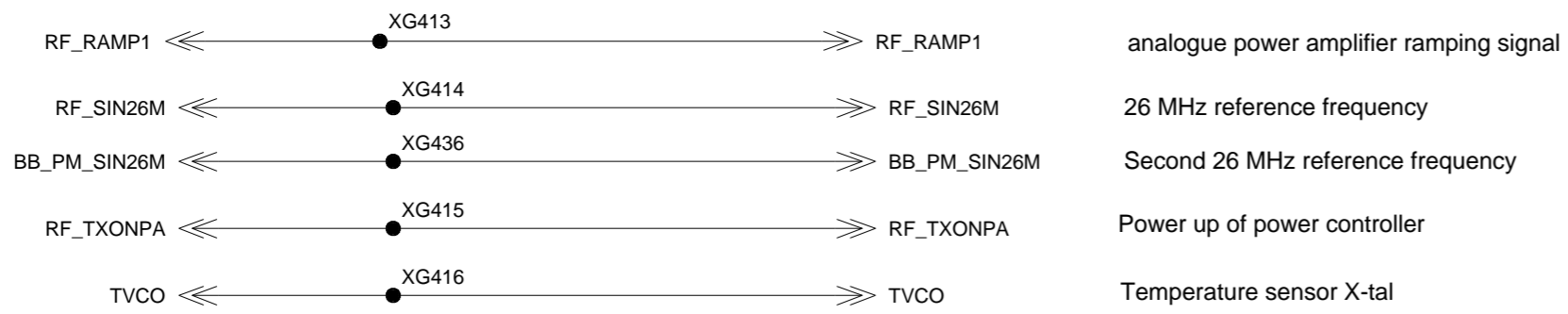
TRANCEIVER ENABLE SIGNAL  
 TRANCEIVER CLOCK SIGNAL  
 TRANCEIVER DATA SIGNAL  
 Bidirectional analoue RX/TX modulartet signal  
 Baseband signals



Reference frequency correction



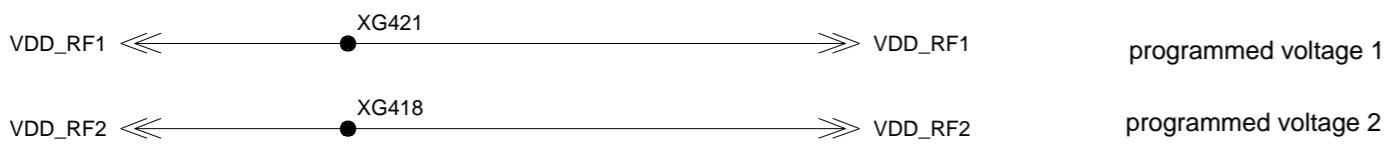
DCSTX enable Asic for Hitachisolution  
 GSMTX enable Asic for Hitachisolution



analogue power amplifier ramping signal  
 26 MHz reference frequency  
 Second 26 MHz reference frequency  
 Power up of power controller  
 Temperature sensor X-tal



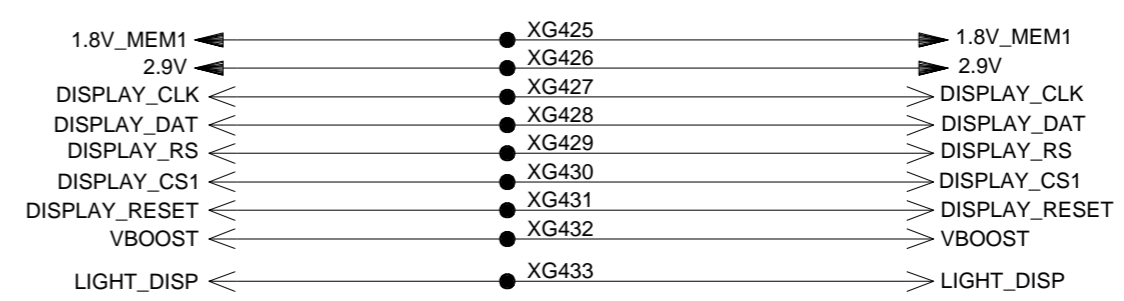
DETECTION internal/external Antenna



programmed voltage 1  
 programmed voltage 2



switched LOW- / HIGH-band



SAR-GND-PAD

VERS.	CHANGE NUMBER	DATE	NAME	DATE	USER	APPR'D	MP UC RD LPD AAL	Siemens AG	C72 Cormorant IFX Assembled B2.1 Layout TOP HIERARCHY LEVEL SCHEMATIC	1:1
4	31958	27.09.2005	rba	21.10.2003	rba					
3	31608	12.09.2005	rba							
2	31258	02.09.2005	rba							
1	28719	28.06.2005	rba							
								182710	sheet4	

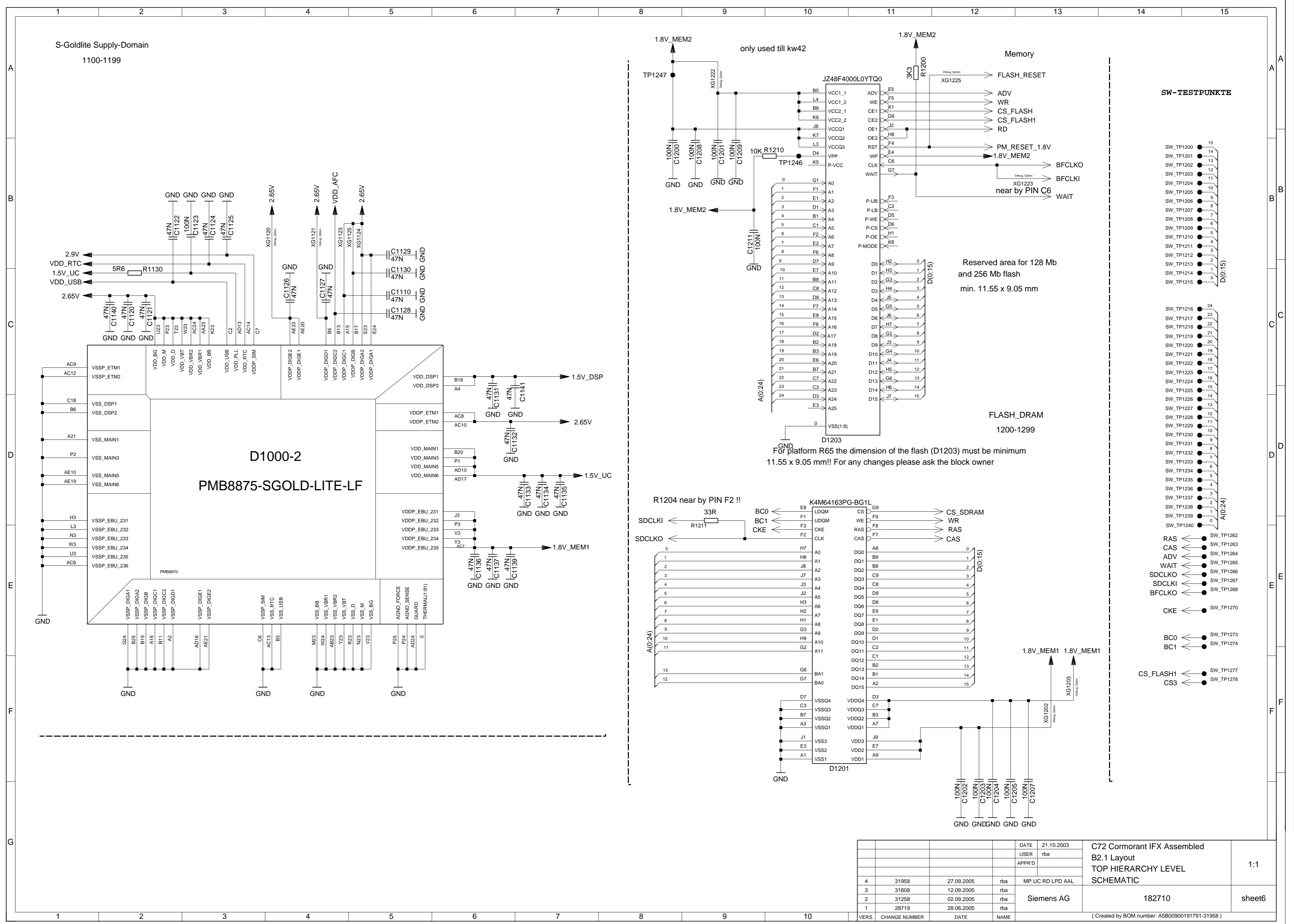
( Created by BOM number: A5B00900191791-31958 )





Proprietary data, Company confidential.  
all rights reserved

Als Betriebsgeheimnis anvertraut  
alle Rechte vorbehalten

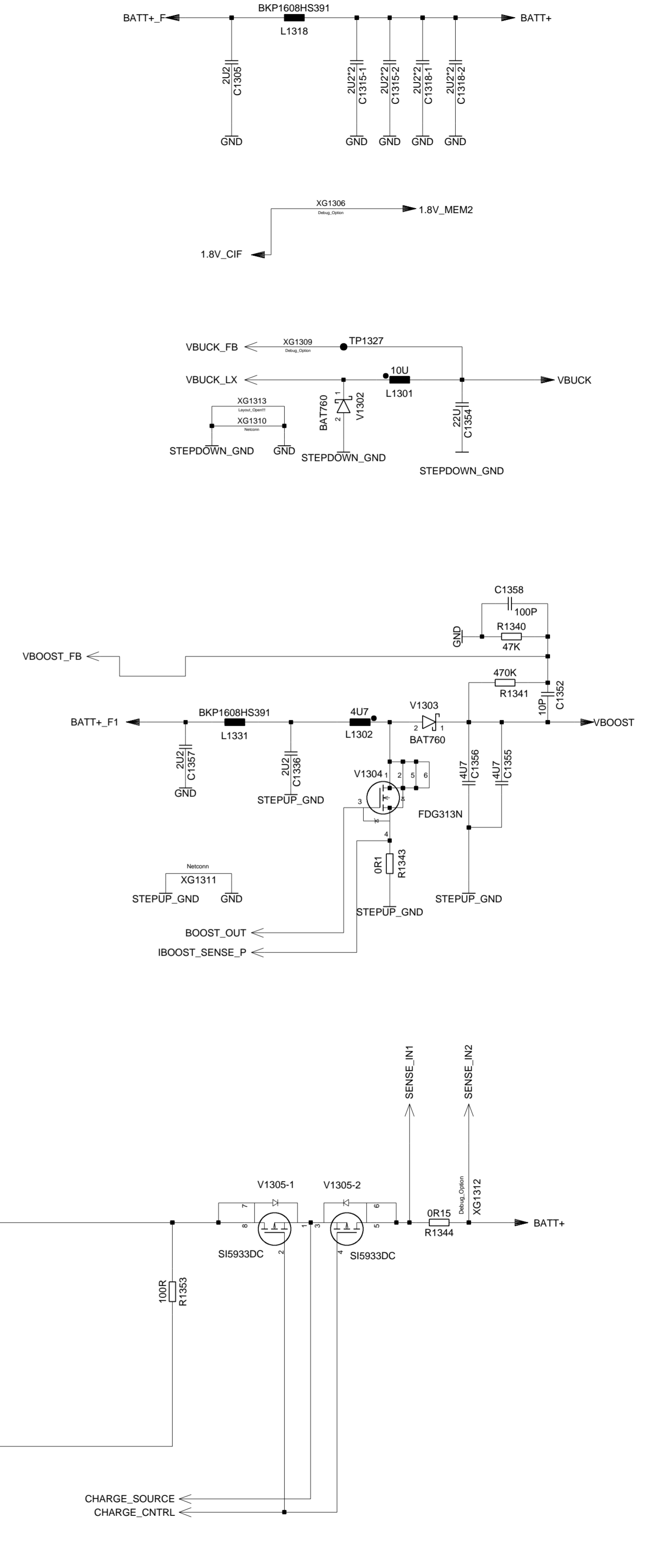
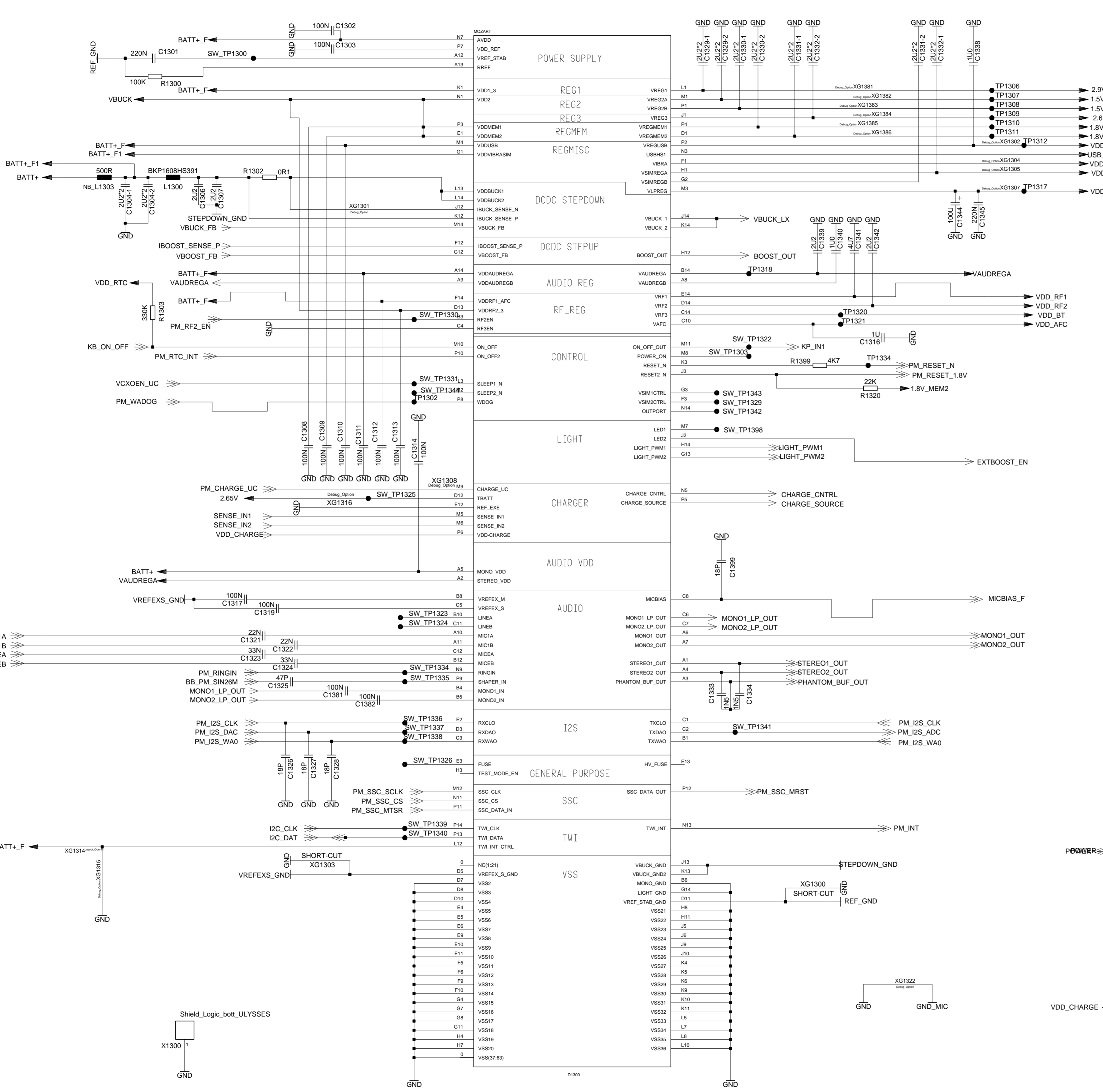


VERS.	CHANGE NUMBER	DATE	NAME	DATE	USER	APPR D
4	31958	27.09.2005	rba	21.10.2003	rba	
3	31608	12.09.2005	rba			
2	31258	02.09.2005	rba			
1	28719	28.06.2005	rba			

DATE	21.10.2003	C72 Cormorant IFX Assembled B2.1 Layout TOP HIERARCHY LEVEL SCHEMATIC	1:1	
USER	rba			
APPR D				
MP UC RD LPD AAL		Siemens AG	182710	sheet6

( Created by BOM number: A5B00900191791-31958 )

Mozart  
1300-1399



sin nuestra expresa autorización, queda terminantemente prohibida la reproducción total o parcial de este documento, así como su uso indebido y/o su explotación o comunicación terceros. De los infractores se exigirá el correspondiente resarcimiento de daños y perjuicios. Se reserva todos los derechos para el caso de la concesión de patentes de invención o el registro de Modelos Industriales.

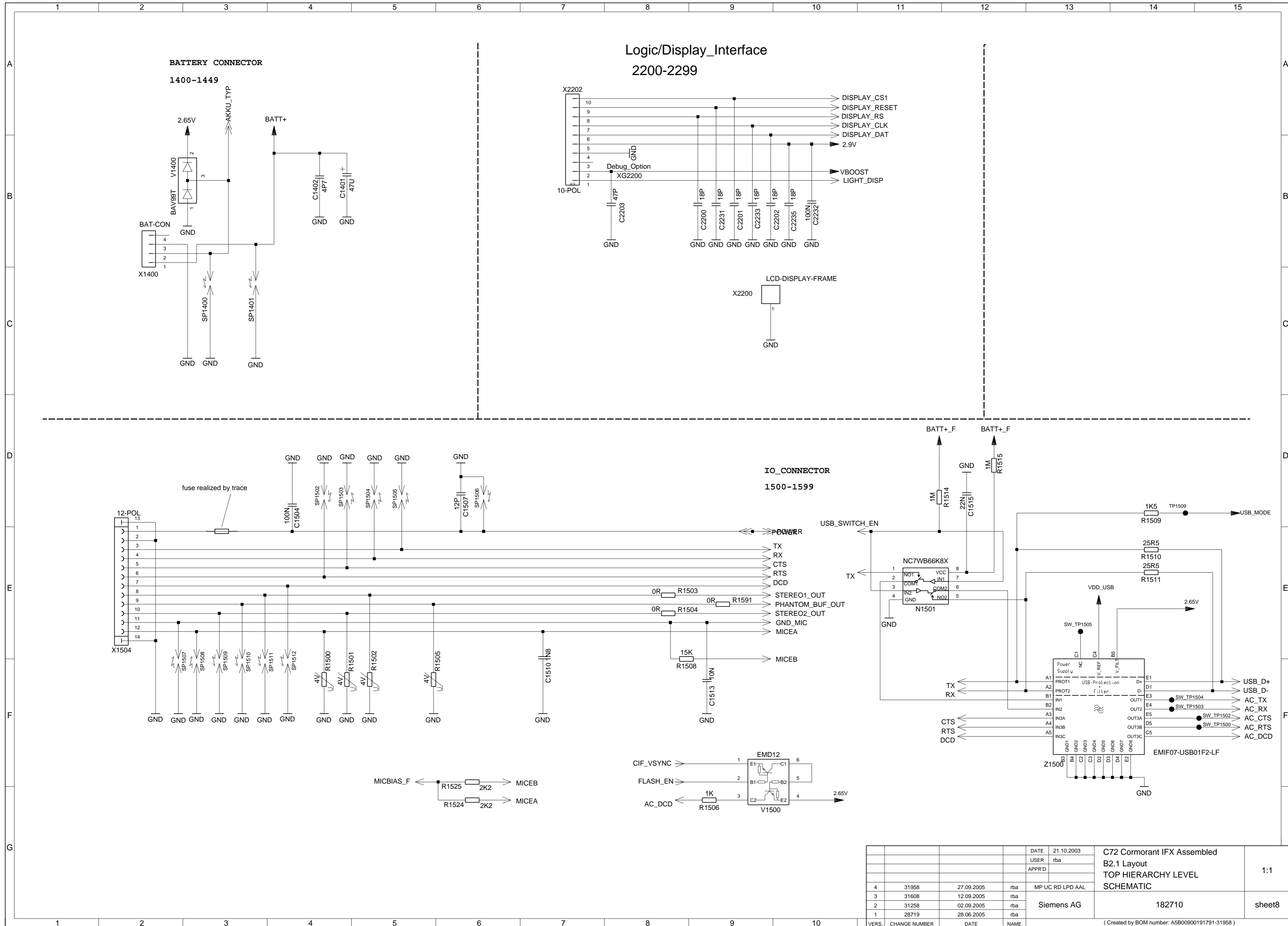
Without our express authorization, copying of this document, and giving to others and the use or communication of the contents thereof, are forbidden without express authority. Offenders are liable to the payment of damages. All rights are reserved in the event of the grant of a Patent or the registration of a Utility Model or Design.

Wiedergabe sowie Vervielfältigung dieses Urtextes, Verwertung und Mitteilung ihres Inhalts nicht gestattet, soweit nicht ausdrücklich zugestanden. Zuwiderhandlungen verpflichten zu Schadenersatz. Alle Rechte für den Fall der Patentierung oder DM-Eintragung vorbehalten.

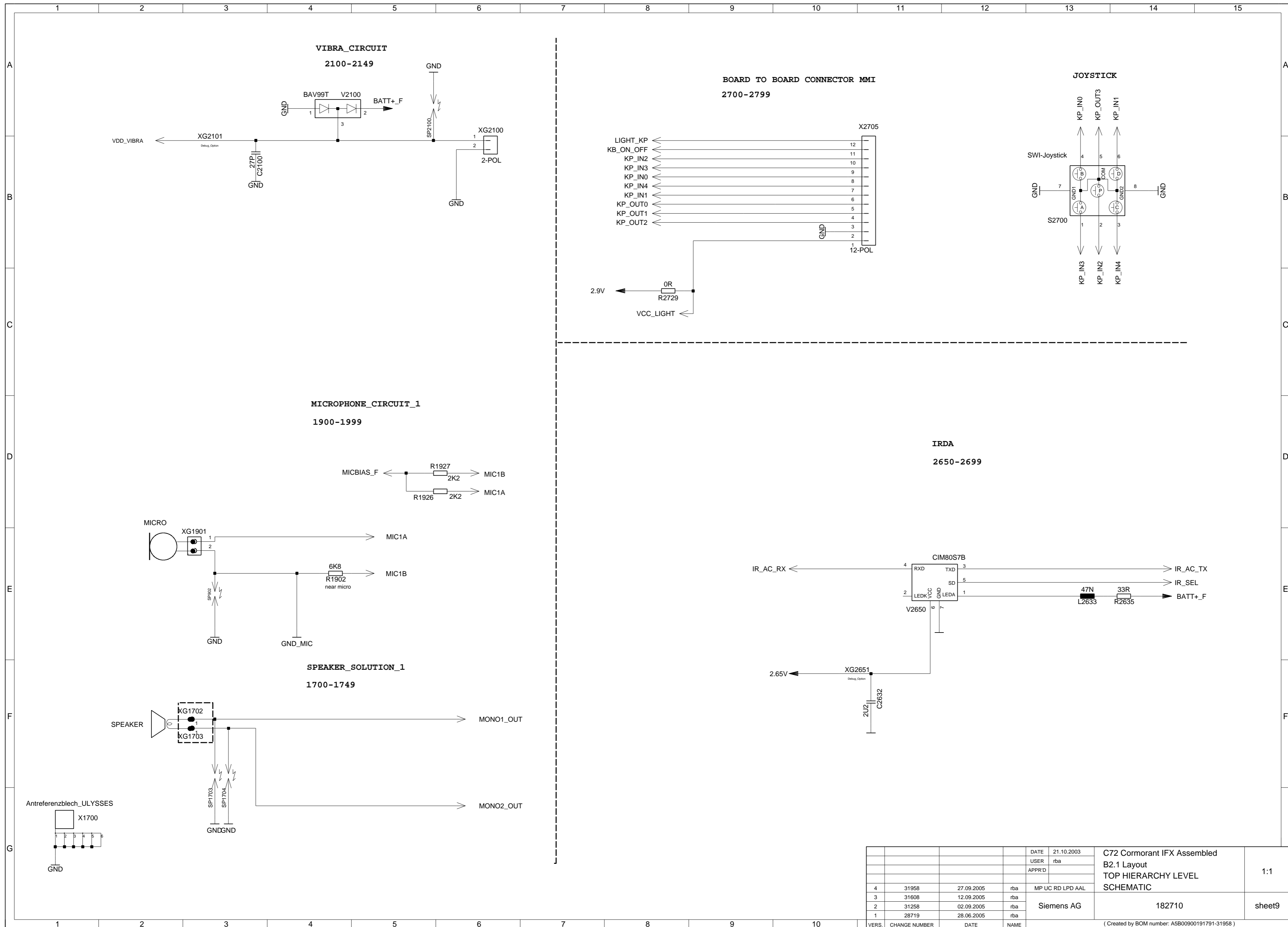
DATE	21.10.2003				
USER	rba				
APPROV					
4	31958	27.09.2005	rba	MP UC RD LPD AAL	
3	31608	12.09.2005	rba		
2	31258	02.09.2005	rba		
1	28719	28.06.2005	rba		
VERS.	CHANGE NUMBER	DATE	NAME		

C72 Cormorant IFX Assembled  
B2.1 Layout  
TOP HIERARCHY LEVEL  
SCHEMATIC  
182710  
sheet7

( Created by BCM number: A5B00900191791-31958 )



DATE	21.10.2003	C72 Cormorant IFX Assembled		1:1	
USER	rba	B2.1 Layout			
APPR'D		TOP HIERARCHY LEVEL			
4	31958	27.09.2005	rba	MP UC RD LPD AAL	sheet8
3	31608	12.09.2005	rba		
2	31258	02.09.2005	rba		
1	28719	28.06.2005	rba		
VERS.	CHANGE NUMBER	DATE	NAME	Siemens AG	182710
( Created by BOM number: A5B00900191791-31958 )					

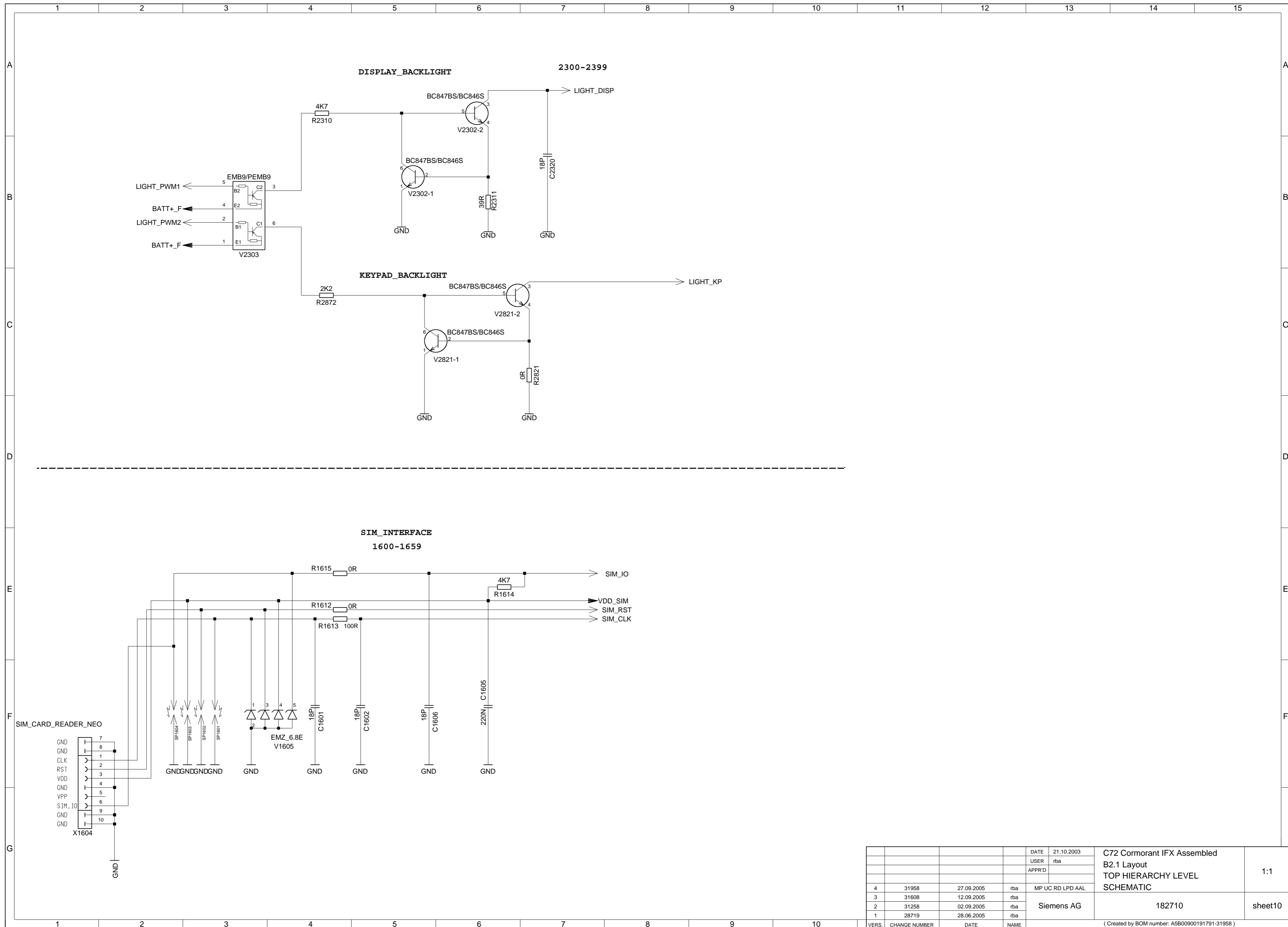


VERS.	CHANGE NUMBER	DATE	NAME	DATE	USER	APPR'D	MP UC RD LPD AAL	Siemens AG	C72 Cormorant IFX Assembled B2.1 Layout TOP HIERARCHY LEVEL SCHEMATIC	182710	1:1	sheet9
4	31958	27.09.2005	rba	21.10.2003	rba							
3	31608	12.09.2005	rba									
2	31258	02.09.2005	rba									
1	28719	28.06.2005	rba									

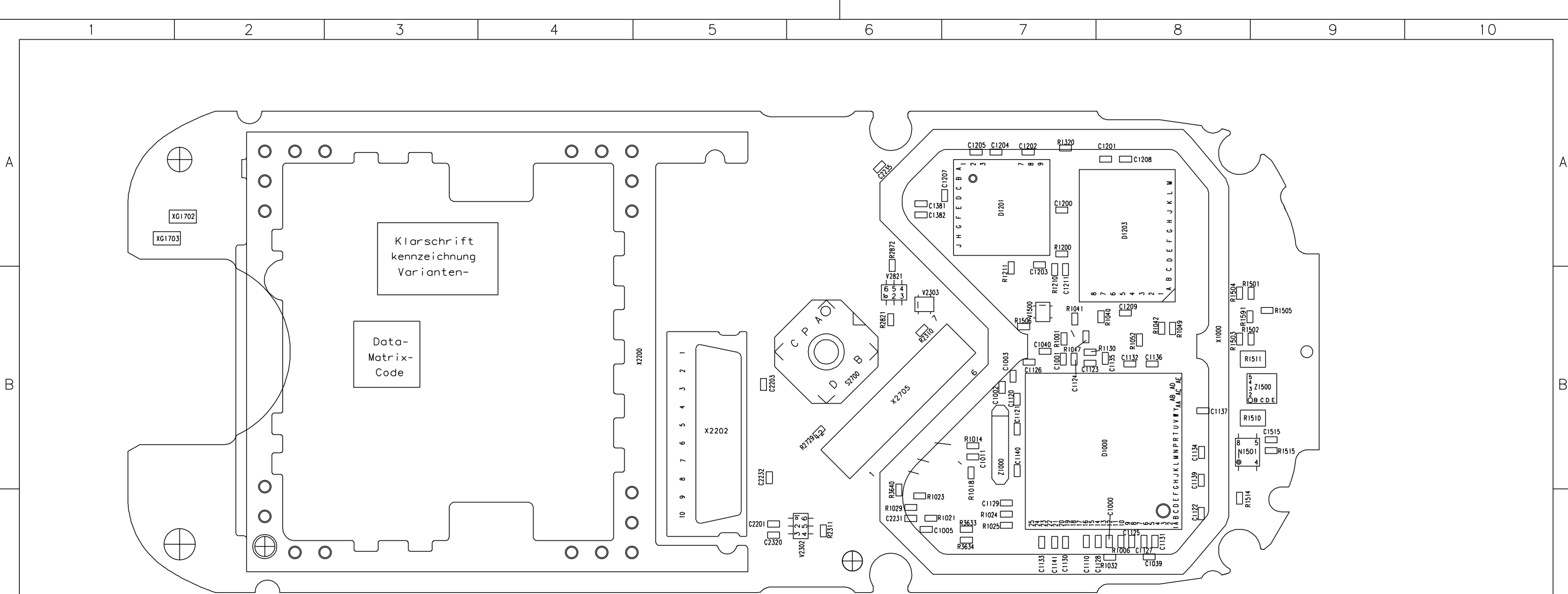
( Created by BOM number: A5B00900191791-31958 )

Proprietary data. Company confidential.  
all rights reserved

Als Betriebsgeheimnis anvertraut  
alle Rechte vorbehalten



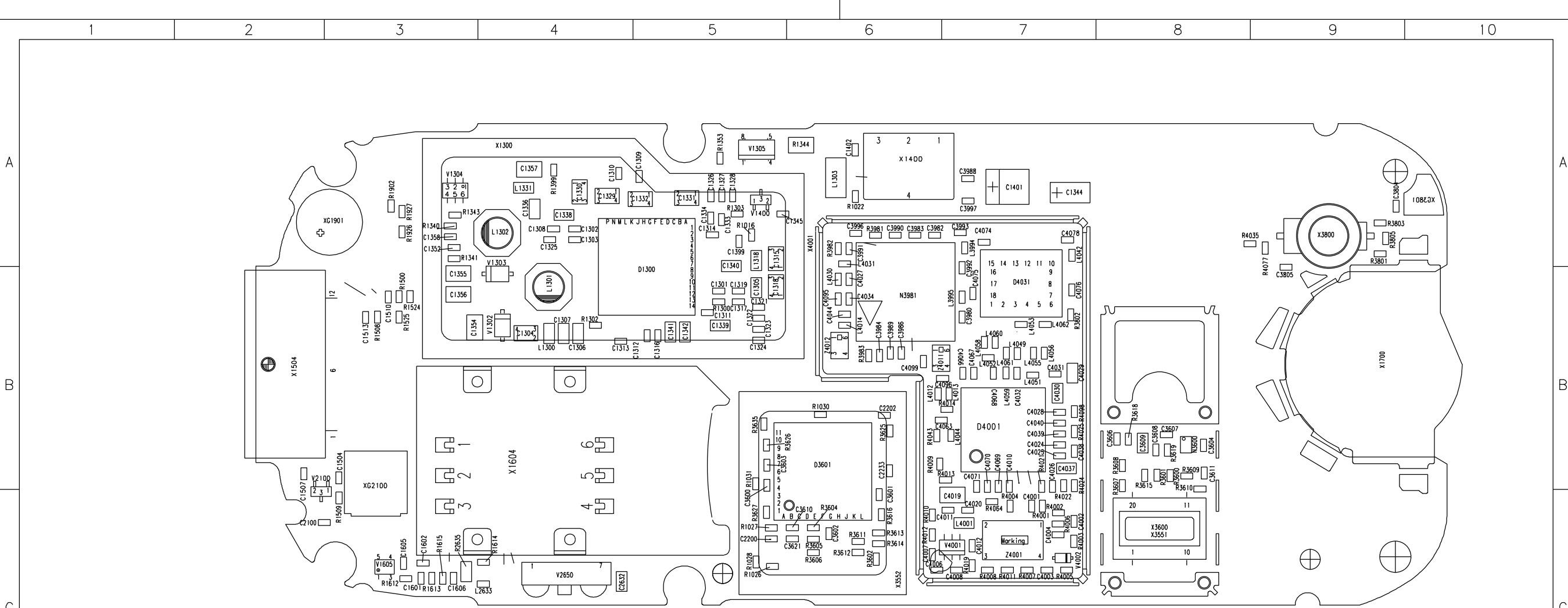
				DATE	21.10.2003	C72 Cormorant IFX Assembled B2.1 Layout TOP HIERARCHY LEVEL SCHEMATIC	1:1
				USER	rba		
				APPR'D			
4	31958	27.09.2005	rba	MP UC RD LPD AAL		Siemens AG	182710
3	31608	12.09.2005	rba				
2	31258	02.09.2005	rba				
1	28719	28.06.2005	rba				
VERS.	CHANGE NUMBER	DATE	NAME	( Created by BOM number: A5B00900191791-31958 )			



C1000	8C	C2201	5C	R2311	6C
C1001	7B	C2203	5B	R2729	6B
C1002	7B	C2231	6C	R2821	6B
C1003	7B	C2232	5B	R2872	6B
C1005	6C	C2235	6A	R3633	7C
C1011	7B	C2320	5C	R3634	7C
C1039	8C	D1000	8C	R3640	6C
C1040	7B	D1201	7A	S2700	6B
C1110	7C	D1203	8B	V1500	7B
C1120	7B	N1501	8B	V2302	6C
C1121	7B	R1001	7B	V2303	6B
C1122	8C	R1006	8C	V2821	6B
C1123	7B	R1014	7B	X1000	8C
C1124	7B	R1018	7B	X2200	2B
C1125	8C	R1021	6C	X2202	5B
C1126	7B	R1023	6C	X2705	6B
C1127	8C	R1024	7C	Z1000	7B
C1128	8C	R1025	7C	Z1500	8B
C1129	7C	R1029	6C		
C1130	7C	R1032	8C		
C1131	8C	R1040	8B		
C1132	8B	R1041	7B		
C1133	7C	R1042	8B		
C1134	8B	R1047	7B		
C1135	8B	R1049	8B		
C1136	8B	R1052	8B		
C1137	8B	R1130	7B		
C1139	8B	R1200	7A		
C1140	7B	R1210	7A		
C1141	7C	R1211	7B		
C1200	7A	R1320	7A		
C1201	8A	R1501	9B		
C1202	7A	R1502	9B		
C1203	7A	R1503	8B		
C1204	7A	R1504	8B		
C1205	7A	R1505	9B		
C1207	7A	R1506	7B		
C1208	8A	R1510	8B		
C1209	8B	R1511	9B		
C1211	7B	R1514	8C		
C1381	6A	R1515	9B		
C1382	6A	R1591	8B		
C1515	9B	R2310	6B		

Achtung : Hoehenprofil C24\_...\_...-42 (gilt nur fuer Entwicklung)  
Liefervarianten siehe : V24851-Z2000-A1-\*--35

DATE	21.10.2003	C72 Cormorant IFX Assembled	
NAME	rba	B2.1 Layout	
APPR'D		WIRING DIAGRAMM (SOLDER SIDE 1)	
STD		3:1	
4	31958	27.09.2005	rba
3	31608	12.09.2005	rba
2	31258	02.09.2005	rba
1	28719	28.06.2005	rba
VERS.	CHANGE NUMBER	DATE	NAME
SIEMENS AG			
182711			SHEET 1+
( Created by BOM number: A5B00900191791-31958 )			



C1301	5B	C1354	3B	C3990	6A	C4076	7B	R1027	5C	R3618	8B	V1605	3C
C1302	4A	C1355	3B	C3991	6A	C4078	7A	R1028	5C	R3619	8B	V2100	3B
C1303	4A	C1356	3B	C3992	7B	C4095	6B	R1030	6B	R3625	6B	V2650	4C
C1304	4B	C1357	4A	C3993	7A	C4096	6B	R1031	5B	R3626	5B	V4001	7C
C1305	5B	C1358	3A	C3996	6A	C4099	6B	R1300	5B	R3627	5C	V4002	7C
C1306	4B	C1399	5A	C3997	7A	D1300	5A	R1302	4B	R3635	5B	X1300	6B
C1307	4B	C1401	7A	C4001	7C	D3601	5C	R1303	5A	R3801	9A	X1400	6A
C1308	4A	C1402	6A	C4002	7C	D4001	7B	R1340	3A	R3802	7B	X1504	3B
C1309	5A	C1504	3B	C4003	7C	D4031	7B	R1341	3A	R3803	9A	X1604	3B
C1310	4A	C1507	2B	C4004	7C	L1300	4B	R1343	3A	R3805	9A	X1700	10B
C1311	5B	C1510	3B	C4006	6C	L1301	4B	R1344	6A	R3981	6A	X3551	8B
C1312	5B	C1513	3C	C4007	6C	L1302	4A	R1353	5A	R3982	6A	X3552	5B
C1313	4B	C1601	3C	C4008	7C	L1303	6A	R1399	4A	R3983	6B	X3600	8C
C1314	5A	C1602	3C	C4010	7C	L1318	5B	R1500	3B	R4001	7C	X3800	9A
C1315	5A	C1605	3C	C4011	7C	L1331	4A	R1508	3B	R4002	7C	X4001	7C
C1316	5B	C1606	3C	C4012	7C	L2633	4C	R1509	3C	R4003	7C	Z4001	7C
C1317	5B	C2100	2C	C4019	7C	L3994	7A	R1524	3B	R4004	7C	Z4011	6B
C1318	5B	C2200	5C	C4020	7C	L3995	7B	R1525	3B	R4005	7C	Z4012	6B
C1319	5B	C2202	6B	C4024	7B	L4001	7C	R1612	3C	R4006	7C		
C1321	5B	C2233	6B	C4025	7B	L4012	6B	R1613	3C	R4007	7C		
C1322	5B	C2632	4C	C4026	7C	L4013	7B	R1614	4C	R4008	7C		
C1323	5B	C3600	5B	C4027	6B	L4014	6B	R1615	3C	R4009	6B		
C1324	5B	C3601	6B	C4028	7B	L4030	6B	R1902	3A	R4010	6C		
C1325	4A	C3602	6C	C4029	7B	L4031	6A	R1926	3A	R4011	7C		
C1326	5A	C3603	5B	C4030	7B	L4042	7A	R1927	3A	R4012	6C		
C1327	5A	C3604	8B	C4031	7B	L4044	7B	R2635	3C	R4013	6B		
C1328	5A	C3606	8B	C4032	7B	L4049	7B	R3600	8B	R4014	6B		
C1329	4A	C3607	8B	C4034	6B	L4051	7B	R3601	8B	R4019	7C		
C1330	4A	C3608	8B	C4037	7B	L4052	7B	R3602	6C	R4021	7B		
C1331	5A	C3609	8B	C4038	7B	L4053	7B	R3604	6C	R4022	7C		
C1332	5A	C3610	6C	C4039	7B	L4055	7B	R3605	6C	R4024	7B		
C1333	5A	C3611	8B	C4040	7B	L4056	7B	R3606	6C	R4025	7B		
C1334	5A	C3621	5C	C4044	6B	L4058	7B	R3607	8B	R4035	8A		
C1336	4A	C3804	9A	C4063	6B	L4059	7B	R3608	8B	R4043	6B		
C1338	4A	C3805	9B	C4066	7B	L4060	7B	R3609	8B	R4064	7C		
C1339	5B	C3980	7B	C4067	7B	L4061	7B	R3610	8B	R4077	9A		
C1340	5A	C3982	6A	C4068	7B	L4062	7B	R3611	6C	R4098	7B		
C1341	5B	C3983	6A	C4069	7C	N3600	8B	R3612	6C	V1302	4B		
C1342	5B	C3984	6B	C4070	7C	N3981	6B	R3613	6C	V1303	4B		
C1344	7A	C3986	6B	C4071	7C	R1016	5A	R3614	6C	V1304	3A		
C1345	6A	C3988	7A	C4074	7A	R1022	6A	R3615	8B	V1305	5A		
C1352	3A	C3989	6B	C4075	7B	R1026	5C	R3616	6C	V1400	5A		

Achtung : Hoehenprofil C24 - - - - -42 (gilt nur fuer Entwicklung)  
Liefervarianten siehe : V24851-Z2000-A1-\*-35

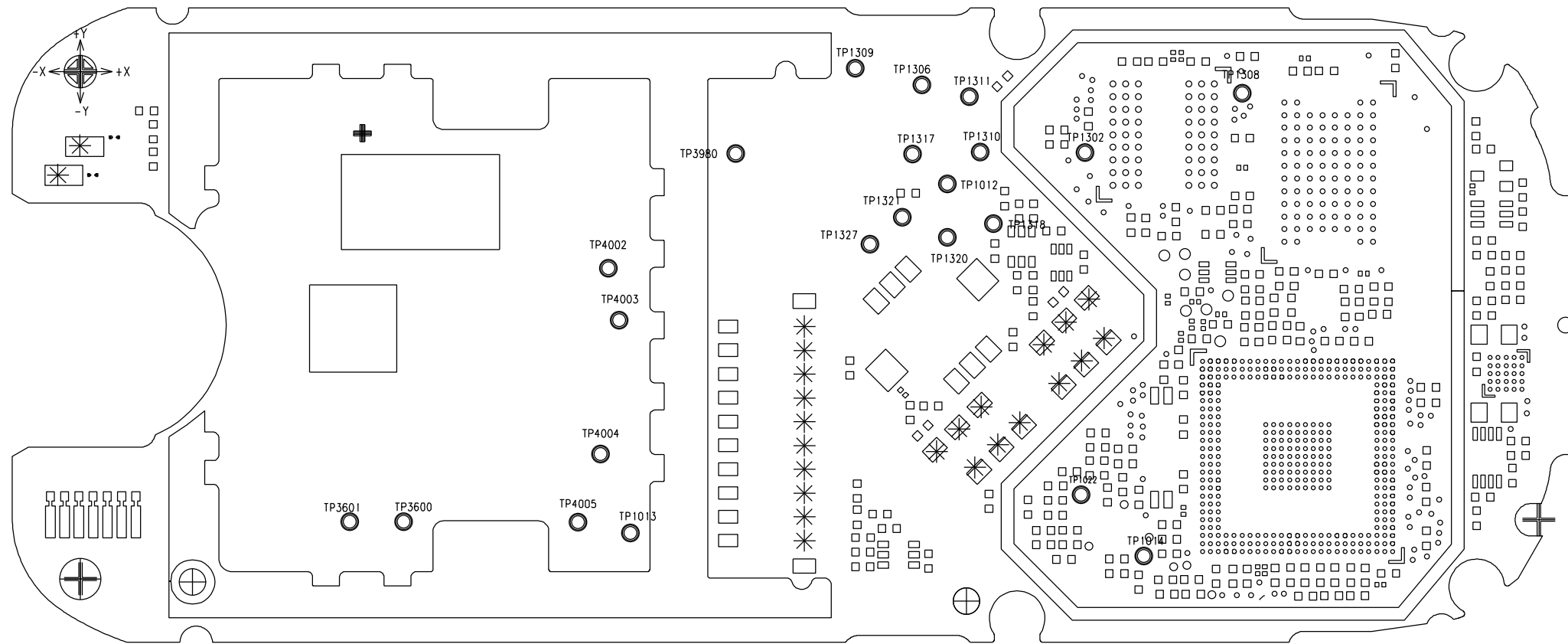
			DATE	21.10.2003	C72 Cormorant IFX Assembled B2.1 Layout WIRING DIAGRAMM (SOLDER SIDE 2)	3:1
		NAME	rba			
		APPR'D				
		STD				
4	31958	27.09.2005	rba	MP UC RD LPD AAL		
3	31608	12.09.2005	rba			
2	31258	02.09.2005	rba			
1	28719	28.06.2005	rba			
VERS.	CHANGE NUMBER	DATE	NAME	( Created by BOM number: A5B00900191791-31958 )		

SIEMENS AG  
182711

SHEET  
2+

PROPRIETARY DATA, COMPANY CONFIDENTIAL  
ALL RIGHTS RESERVED

ALS BETRIEBSGEHEIMNIS ANVERTRAUT  
ALLE RECHTE VORBEHALTEN



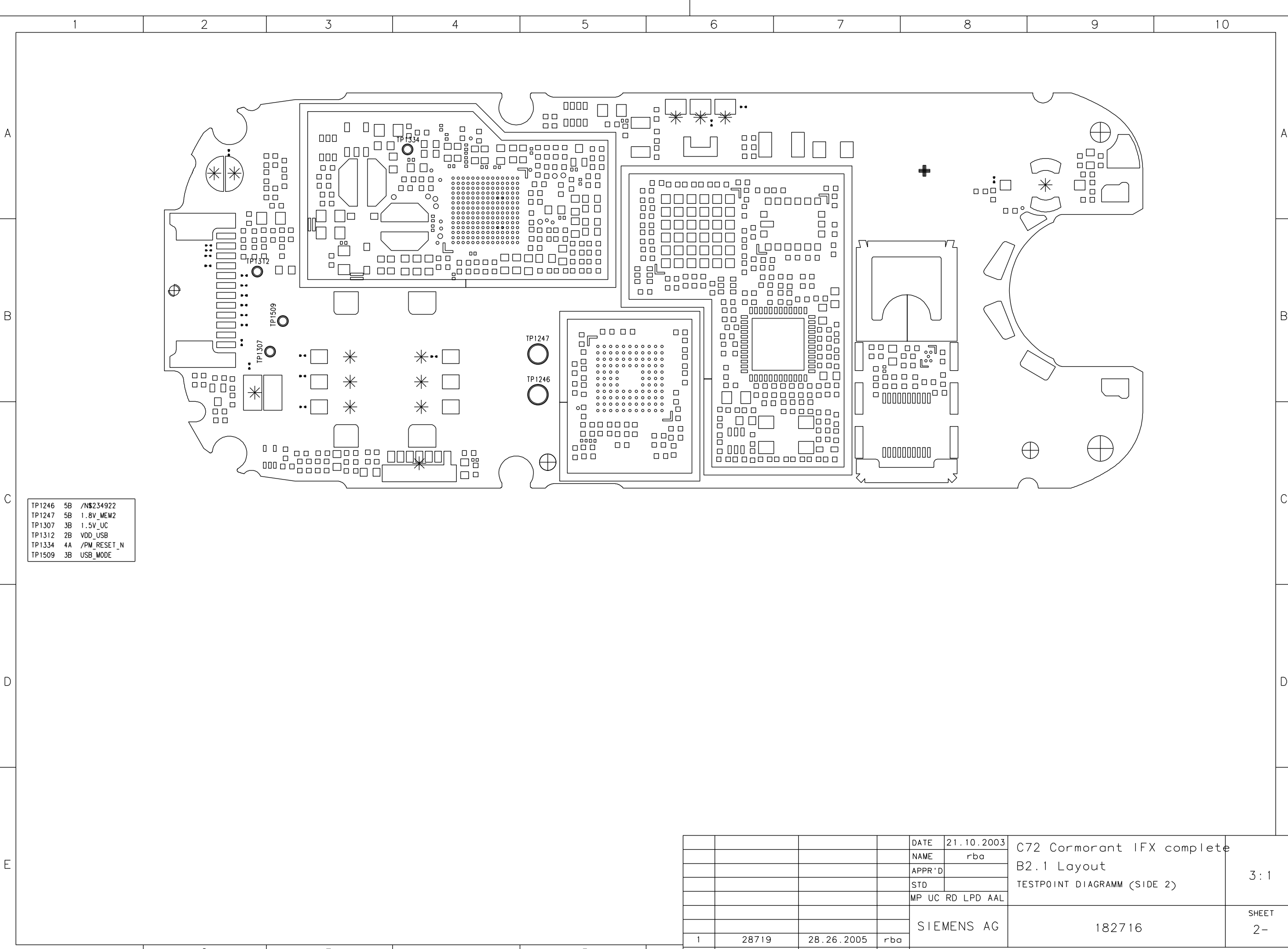
TP1012	6A	/TBAT
TP1013	5C	/TVCO
TP1014	7C	/BREF
TP1022	7B	/N#223595
TP1302	7A	/PM_WADOG
TP1306	6A	2.9V
TP1308	8A	1.5V_DSP
TP1309	6A	2.65V
TP1310	7A	1.8V_MEM1
TP1311	7A	1.8V_MEM2
TP1317	6A	VDD_RTC
TP1318	7A	VAUDREGA
TP1320	6B	VDD_BT
TP1321	6A	VDD_AFC
TP1327	6B	VBUCK
TP3600	4B	/CAM_SENSOR_PD
TP3601	3B	/N#259606
TP3980	5A	/RF_TXONPA
TP4002	5B	VDD_RF2
TP4003	5B	/N#306780
TP4004	5B	/RF_SIN26M
TP4005	5B	VDD_RF1

				DATE	21.10.2003	C72 Cormorant IFX complete B2.1 Layout TESTPOINT DIAGRAMM (SIDE 1)	3:1
				NAME	rba		
				APPR'D			
				STD			
						MP UC RD LPD AAL	
1	28719	28.26.2005	rba	SIEMENS AG		182716	SHEET 1+
VERS.	CHANGE NUMBER	DATE	NAME	( Created by BOM number: A5B00900191760-28719 )			



PROPRIETARY DATA, COMPANY CONFIDENTIAL  
ALL RIGHTS RESERVED

ALS BETRIEBSGEHEIMNIS ANVERTRAUT  
ALLE RECHTE VORBEHALTEN

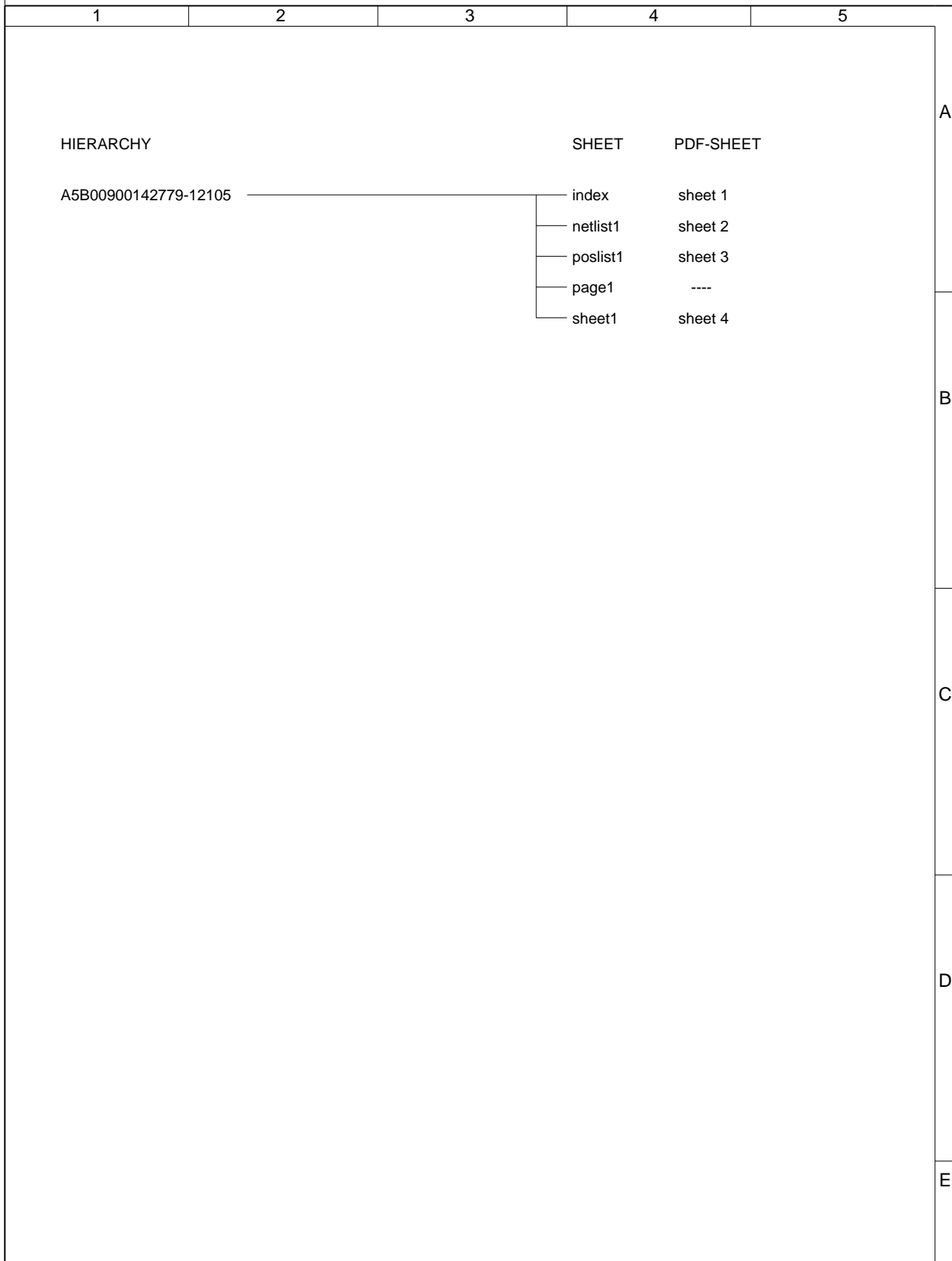


TP1246	5B	/NS234922
TP1247	5B	1.8V_MEM2
TP1307	3B	1.5V_UC
TP1312	2B	VDD_USB
TP1334	4A	/PM_RESET_N
TP1509	3B	USB_MODE

				DATE	21.10.2003	C72 Cormorant IFX complete B2.1 Layout TESTPOINT DIAGRAMM (SIDE 2)	3:1
				NAME	rba		
				APPR'D			
				STD			
						MP UC RD LPD AAL	
						SIEMENS AG	
						182716	SHEET 2-
1	28719	28.26.2005	rba	( Created by BOM number: A5B00900191760-28719 )			
VERS.	CHANGE NUMBER	DATE	NAME				

Proprietary data, company confidential.  
All rights reserved

Als Betriebsgeheimnis anvertraut  
Alle Rechte vorbehalten



VERS.	CHANGE NUMBER	DATE	NAME	DATE	USER	APPR'D			
				10.10.2003	bak		C65-Hera MMI Assembled B2 Layout TOP HIERARCHY LEVEL SCHEMATIC	1:1	
5	13822	05.04.2004	rba						
4	12106	25.02.2004	olh	MP UC RD ED AAL					
3	10890	14.01.2004	olh				Siemens AG	53598	
2	9990	26.11.2003	olh						
1	8058	10.10.2003	olh						
				( Created by BOM number: A5B00900131452-13822 )					index

A  
B  
C  
D  
E

Proprietary data, company confidential.  
All rights reserved

Als Betriebsgeheimnis anvertraut  
Alle Rechte vorbehalten

1	2	3	4	5
KB_ON_OFF /sheet1 7 D /sheet1 8 D  KP_IN0 /sheet1 8 D /sheet1 7 C  KP_IN1 /sheet1 5 C /sheet1 8 D  KP_IN2 /sheet1 5 C /sheet1 8 D  KP_IN3 /sheet1 5 B /sheet1 8 D  KP_IN4 /sheet1 5 B /sheet1 8 D  KP_OUT0 /sheet1 5 A /sheet1 8 D  KP_OUT1 /sheet1 5 A /sheet1 8 D  KP_OUT2 /sheet1 5 A /sheet1 8 D  LIGHT_KP /sheet1 8 D /sheet1 7 B  VCC_LIGHT /sheet1 8 E /sheet1 7 A				

VERS.	CHANGE NUMBER	DATE	NAME	DATE	USER	APPR'D	DESCRIPTION	SCALE
				10.10.2003	bak		<b>C65-Hera MMI Assembled B2 Layout TOP HIERARCHY LEVEL SCHEMATIC</b>  <b>53598</b>	<b>1:1</b>  <b>netlist1</b>
5	13822	05.04.2004	rba					
4	12106	25.02.2004	olh	MP UC RD ED AAL				
3	10890	14.01.2004	olh					
2	9990	26.11.2003	olh	Siemens AG				
1	8058	10.10.2003	olh					
( Created by BOM number: A5B00900131452-13822 )								

Proprietary data, company confidential.  
All rights reserved

Als Betriebsgeheimnis anvertraut  
Alle Rechte vorbehalten

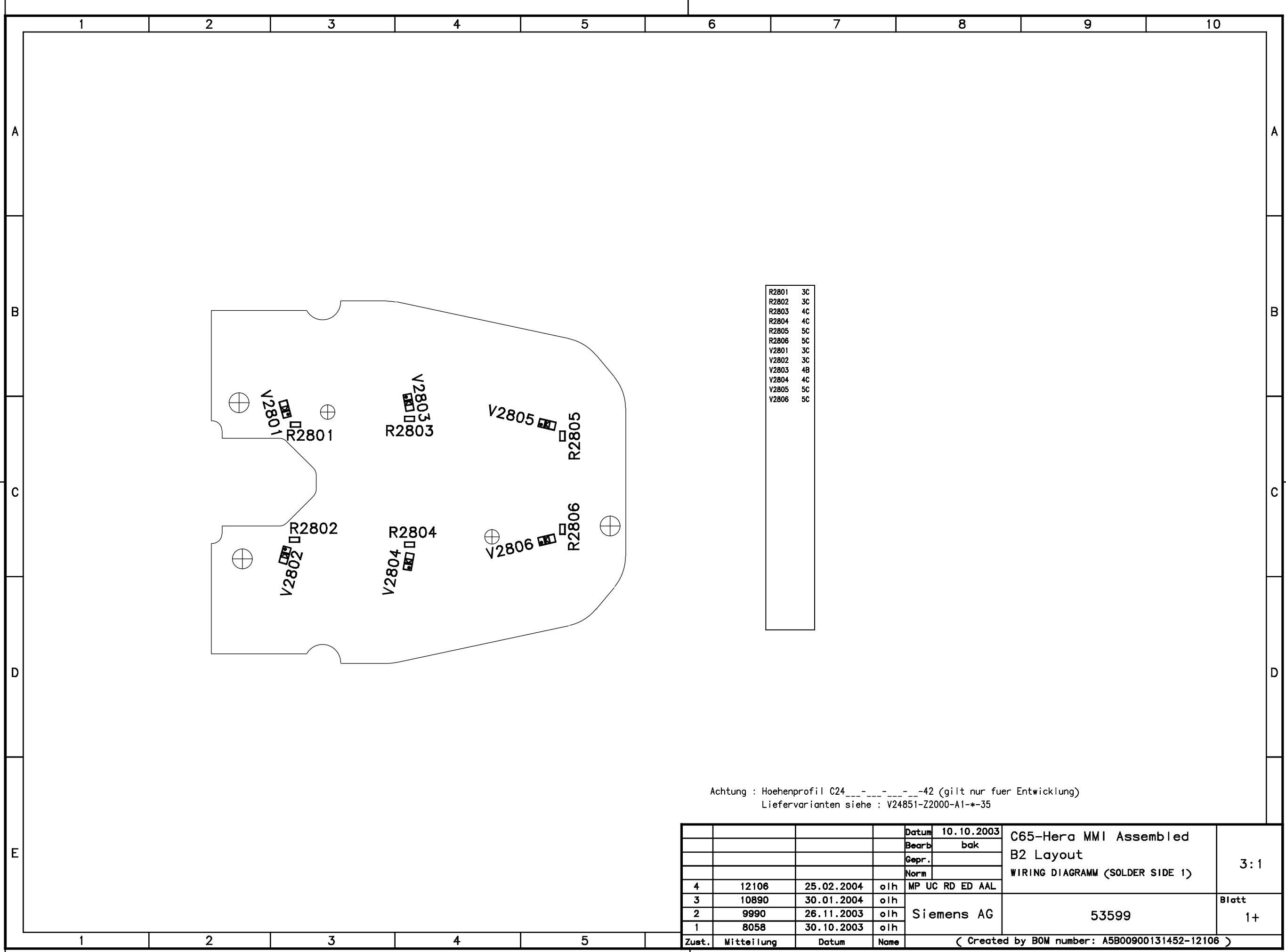
	1	2	3	4	5	
	<p>C2801 /sheet1 9 C  R2801 /sheet1 7 A  R2802 /sheet1 8 A  R2803 /sheet1 8 A  R2804 /sheet1 9 A  R2805 /sheet1 9 A  R2806 /sheet1 10 A  TP2805 /sheet1 9 A  TP2806 /sheet1 10 A  TP2803 /sheet1 8 A  TP2801 /sheet1 7 A  TP2804 /sheet1 9 A  TP2802 /sheet1 8 A  V2801 /sheet1 7 B  V2802 /sheet1 8 B  V2803 /sheet1 8 B  V2804 /sheet1 9 B  V2805 /sheet1 9 B  V2806 /sheet1 10 B</p>					A
						B
						C
						D
						E

				DATE	10.10.2003	<b>C65-Hera MMI Assembled  B2 Layout  TOP HIERARCHY LEVEL  SCHEMATIC</b>	<b>1:1</b>
				USER	bak		
				APPR'D			
5	13822	05.04.2004	rba				
4	12106	25.02.2004	olh	MP UC RD ED AAL			
3	10890	14.01.2004	olh				
2	9990	26.11.2003	olh	Siemens AG	53598	<b>poslist1</b>	
1	8058	10.10.2003	olh				
VERS.	CHANGE NUMBER	DATE	NAME	( Created by BOM number: A5B00900131452-13822 )			



PROPRIETARY DATA, COMPANY CONFIDENTIAL  
ALL RIGHTS RESERVED

ALS BETRIEBSGEHEIMNIS ANVERTRAUT  
ALLE RECHTE VORBEHALTEN



- R2801 3C
- R2802 3C
- R2803 4C
- R2804 4C
- R2805 5C
- R2806 5C
- V2801 3C
- V2802 3C
- V2803 4B
- V2804 4C
- V2805 5C
- V2806 5C

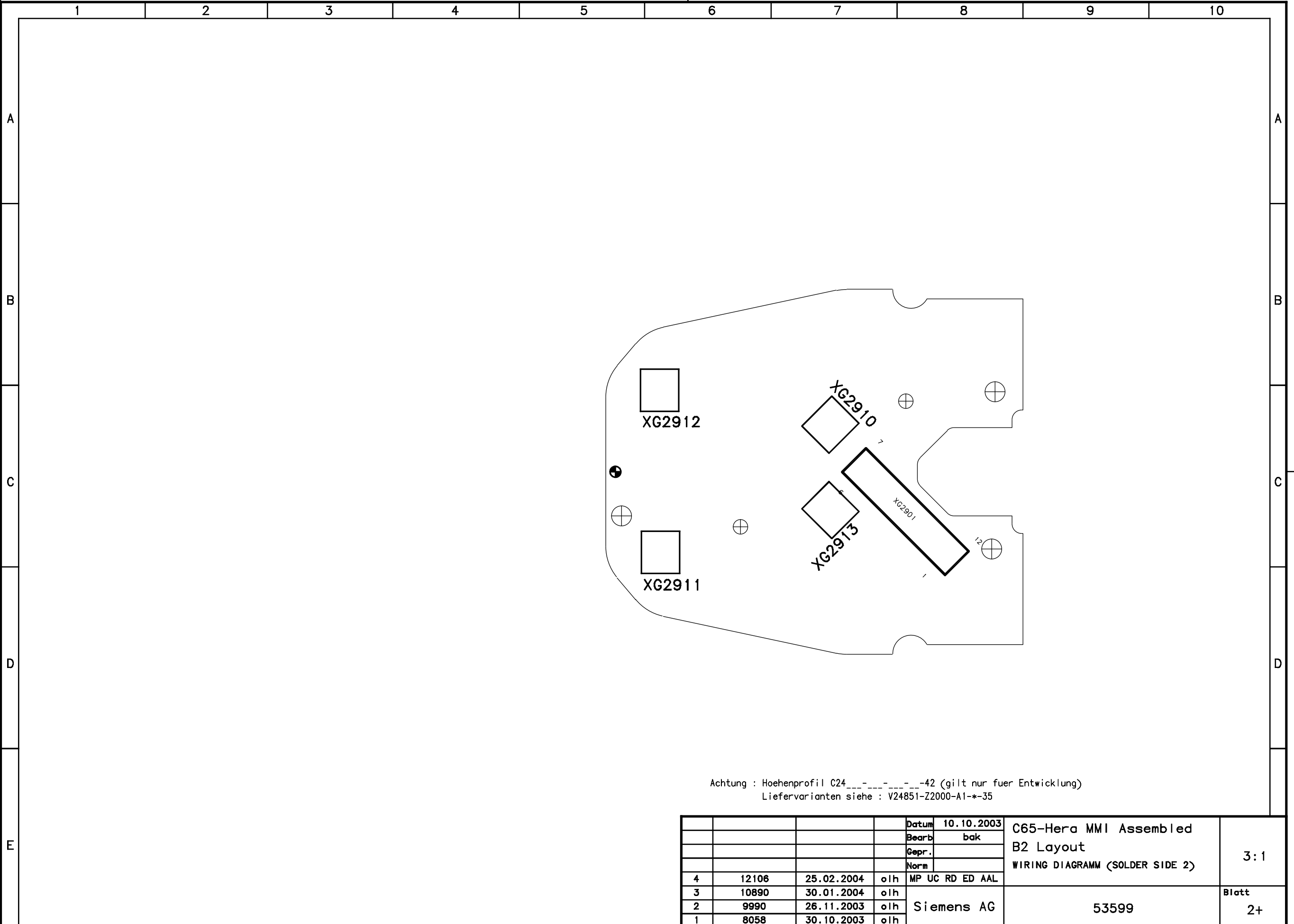
Achtung : Höhenprofil C24\_...\_...\_42 (gilt nur fuer Entwicklung)  
Liefervarianten siehe : V24851-Z2000-A1-\*35

				Datum	10.10.2003	C65-Hera MMI Assembled B2 Layout WIRING DIAGRAMM (SOLDER SIDE 1)	3:1
				Bearb	bak		
				Gepr.			
				Norm			
4	12106	25.02.2004	o/h	MP UC RD ED AAL			
3	10890	30.01.2004	o/h				
2	9990	26.11.2003	o/h				
1	8058	30.10.2003	o/h				
Zust.	Mitteilung	Datum	Name	( Created by BOM number: A5B00900131452-12106 )			

Siemens AG  
53599  
Blatt  
1+

PROPRIETARY DATA, COMPANY CONFIDENTIAL  
ALL RIGHTS RESERVED

ALS BETRIEBSGEHEIMNIS ANVERTRAUT  
ALLE RECHTE VORBEHALTEN



Achtung : Höhenprofil C24-----42 (gilt nur fuer Entwicklung)  
Liefervarianten siehe : V24851-Z2000-A1-\*35

				Datum	10.10.2003	C65-Hera MMI Assembled B2 Layout WIRING DIAGRAMM (SOLDER SIDE 2)	3:1
				Bearb	bak		
				Gepr.			
				Norm			
4	12106	25.02.2004	olh	MP UC RD ED AAL			
3	10890	30.01.2004	olh				
2	9990	26.11.2003	olh				
1	8058	30.10.2003	olh				
Zust.	Mitteilung	Datum	Name	( Created by BOM number: A5B00900131452-12106 )			

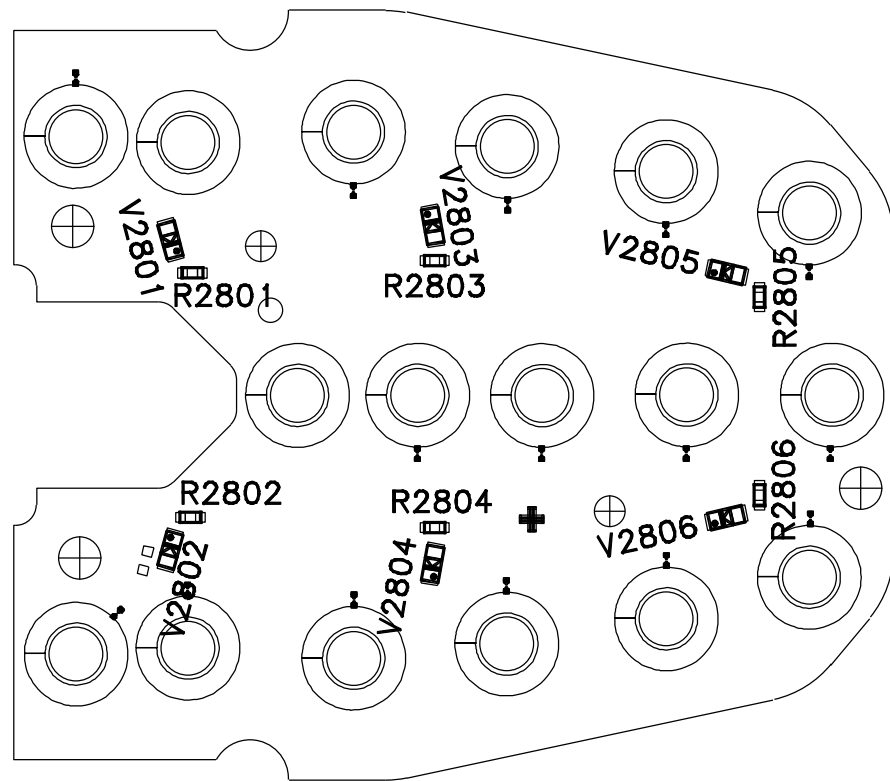
Siemens AG

53599

Blatt  
2+

PROPRIETARY DATA, COMPANY CONFIDENTIAL  
ALL RIGHTS RESERVED

ALS BETRIEBSGEHEIMNIS ANVERTRAUT  
ALLE RECHTE VORBEHALTEN



R2801	3C
R2802	3C
R2803	4C
R2804	4C
R2805	5C
R2806	5C
V2801	3C
V2802	3C
V2803	4B
V2804	4C
V2805	5C
V2806	5C

Achtung : Hoehenprofil C24\_ \_ \_ \_ \_42 (gilt nur fuer Entwicklung)  
Liefervarianten siehe : V24851-Z2000-A1-\*-35

				Datum	10.10.2003	C65-Hera MMI Assembled B2 Layout WIRING DIAGRAMM (SOLDER SIDE 1)	3:1
				Bearb	bak		
				Gepr.			
				Norm			
4	12106	25.02.2004	olh	MP UC RD ED AAL			
3	10890	30.01.2004	olh				
2	9990	26.11.2003	olh				
1	8058	30.10.2003	olh				
Zust.	Mitteilung	Datum	Name	( Created by BOM number: A5B00900131452-12106 )			

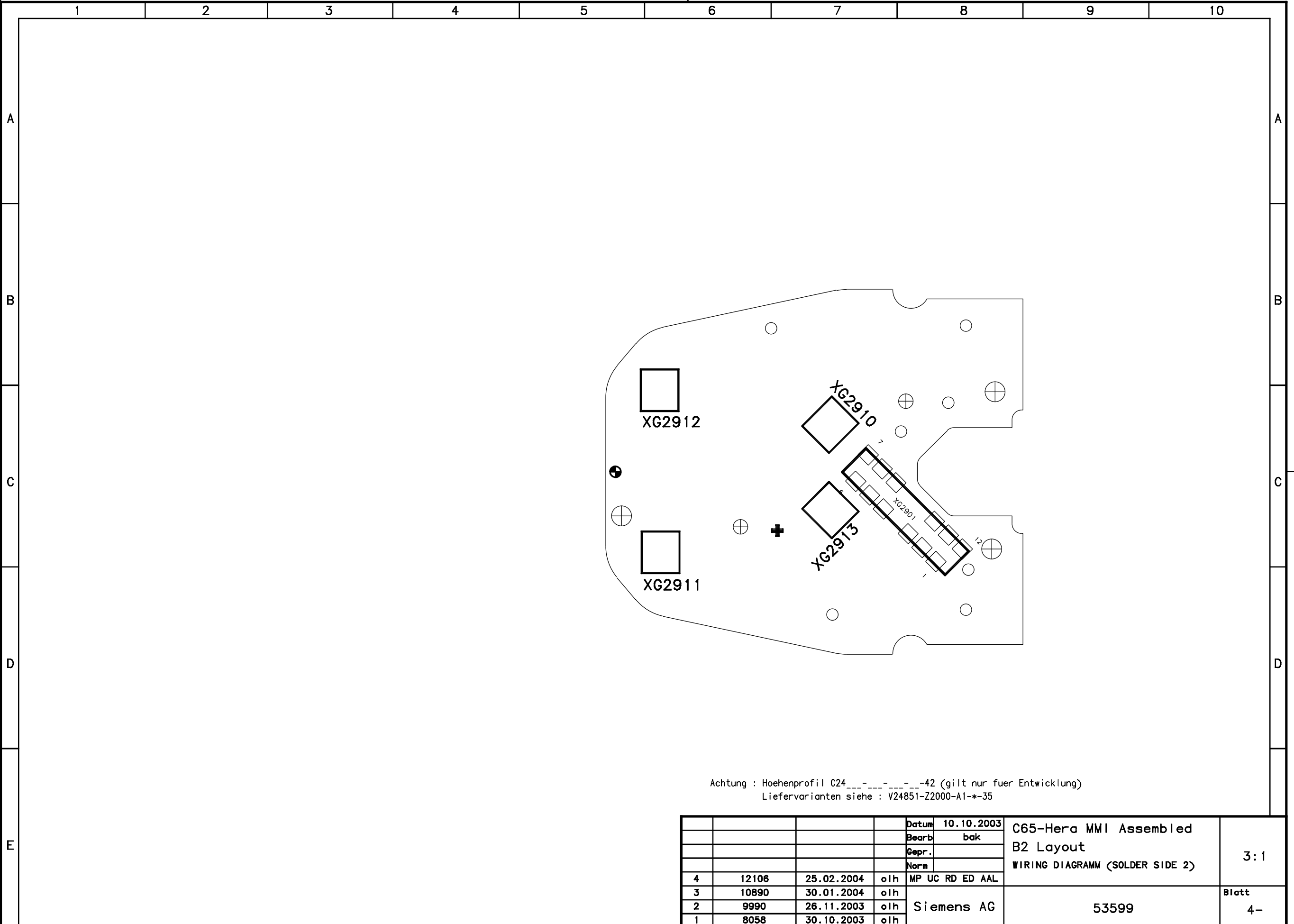
53599

Blatt  
3+



PROPRIETARY DATA, COMPANY CONFIDENTIAL  
ALL RIGHTS RESERVED

ALS BETRIEBSGEHEIMNIS ANVERTRAUT  
ALLE RECHTE VORBEHALTEN



Achtung : Höhenprofil C24\_...\_...\_42 (gilt nur fuer Entwicklung)  
Liefervarianten siehe : V24851-Z2000-A1-\*35

				Datum	10.10.2003	C65-Hera MMI Assembled B2 Layout WIRING DIAGRAMM (SOLDER SIDE 2)	3:1
				Bearb	bak		
				Gepr.			
				Norm			
4	12106	25.02.2004	o/h	MP UC RD ED AAL			
3	10890	30.01.2004	o/h				
2	9990	26.11.2003	o/h				
1	8058	30.10.2003	o/h				
Zust.	Mitteilung	Datum	Name	( Created by BOM number: A5B00900131452-12106 )			

Siemens AG  
53599  
Blatt 4-