

Proprietary data, company confidential.  
All rights reserved

Als Betriebsgeheimnis anvertraut  
Alle Rechte vorbehalten

1	2	3	4	5
HIERARCHY		SHEET		PDF-SHEET
A5B00900184206-26212		index		sheet 1
		netlist1		sheet 2
		poslist1		sheet 3
		page1		----
		sheet1		sheet 4
		sheet2		sheet 5
		sheet4		sheet 6
		sheet10		sheet 7
		sheet11		sheet 8
		sheet12		sheet 9
		sheet13		sheet 10
		sheet15		sheet 11
		sheet16		sheet 12
		sheet26		sheet 13
		sheet36		sheet 14

				DATE	18.04.2005	C75-Aries_V1 B2 Layout TOP HIERARCHY LEVEL SCHEMATIC	1:1
				USER	Jaeschke		
				APPR'D			
				COM MD HW 4 KLF			
				Siemens AG		160698	index
1	26211	18.04.2005	Jae				
VERS.	CHANGE NUMBER	DATE	NAME	( Created by BOM number: A5B00900184205-26211 )			

Proprietary data, company confidential.  
All rights reserved

Als Betriebsgeheimnis anvertraut  
Alle Rechte vorbehalten

	1	2	3	4	5	6	7	8	9	10		
1.5V_DSP /sheet11 11 C /sheet13 11 C /sheet13 8 B	/sheet15 15 F AC_TX /sheet10 13 E /sheet15 15 F	CAMERA_I2C_CLK /sheet36 8 E /sheet36 9 B	/sheet12 6 C CS_SDRAM /sheet10 7 F /sheet12 11 B	FLASH_EN /sheet10 13 F /sheet15 8 F	/sheet26 8 B KP_IN1 /sheet10 5 G /sheet26 13 A /sheet26 8 B /sheet13 6 C	MONO1_OUT /sheet26 6 F /sheet13 8 E	/sheet10 13 D /sheet13 7 F	RF_ANT_DET /sheet4 2 D /sheet4 4 D	/sheet10 7 B /sheet2 15 D	TVCO /sheet4 2 D /sheet4 4 D /sheet10 9 B /sheet10 14 A /sheet2 15 C	VDD_BRIGHT /sheet1 9 E /sheet2 12 D /sheet2 8 A /sheet2 10 B /sheet2 10 A /sheet2 9 F /sheet2 8 F /sheet2 10 A /sheet2 9 A /sheet2 8 F /sheet2 8 A	
1.5V_UC /sheet11 5 C /sheet11 11 D /sheet13 11 C /sheet12 8 B	ADV /sheet10 6 F /sheet12 14 E /sheet12 6 B	CAMERA_I2C_DATA /sheet36 8 F /sheet36 9 B	/sheet12 14 F CTS /sheet15 9 E /sheet15 12 F	FLASH_RESET /sheet10 3 E /sheet12 6 B	GND_MIC /sheet26 4 E /sheet15 9 E /sheet13 7 H /sheet13 7 E	MONO2_OUT /sheet26 6 G /sheet13 8 E	PM_RESET_1.8V /sheet13 7 C /sheet12 6 C	RF_TXONPA /sheet4 2 D /sheet4 4 D /sheet10 5 B /sheet2 1 E	RF_BAND_SW /sheet4 2 F /sheet4 4 F /sheet10 6 B /sheet2 7 F	RTS /sheet15 12 F /sheet15 9 E	TX /sheet15 12 F /sheet15 11 E /sheet15 9 E	VDD_BT /sheet13 8 C
1.8V_CIF /sheet4 13 C /sheet4 10 C /sheet13 10 B /sheet36 2 A	AKKU_TYP /sheet10 13 A /sheet15 3 B	CAM_SENSOR_PD /sheet36 7 E /sheet36 10 D	/sheet10 9 G /sheet12 14 B /sheet12 11 C /sheet12 5 D	D(0:15) /sheet10 9 G /sheet12 14 B /sheet12 11 C /sheet12 5 D	GSM_PA_IN /sheet2 1 F /sheet2 9 F	PCN_PA_IN /sheet2 1 F /sheet2 9 F	PM_RESET_N /sheet10 3 E /sheet13 7 C	RF_CLK /sheet4 4 A /sheet4 2 A /sheet10 7 B /sheet2 15 E	RX /sheet15 12 F /sheet15 9 E	TX_GSM_OUT /sheet2 4 B /sheet2 7 G	VDD_CHARGE /sheet13 3 D /sheet13 9 G	
1.8V_MEM1 /sheet11 11 E /sheet13 8 B /sheet12 13 D /sheet12 12 D	BATT+ /sheet4 10 E /sheet4 13 E	CAS /sheet10 6 F /sheet12 11 B /sheet12 14 E	DB_RTCK /sheet10 3 D	DB_TCK /sheet10 3 C /page1 4 C	HF_OUT /sheet1 4 D /sheet2 1 B	KP_IN4 /sheet10 3 F /sheet26 13 B /sheet26 8 B	PIXEL_DATA0 /sheet36 3 C /sheet36 13 B	PM_RINGIN /sheet10 11 B /sheet13 3 E	RF_DAT /sheet4 4 A /sheet4 2 A /sheet10 7 B /sheet2 15 D	SDCLKI /sheet10 6 G /sheet12 8 B	USB_D+ /sheet10 13 C /sheet15 15 F	VDD_RF1 /sheet4 4 E /sheet4 2 E /sheet13 8 C /sheet2 11 A
1.8V_MEM2 /sheet13 7 D /sheet13 8 B /sheet13 10 B /sheet12 2 C /sheet12 6 C /sheet12 5 B /sheet12 2 B	BATT+_F /sheet26 10 A /sheet26 4 B /sheet26 14 E /sheet15 12 D	CHARGE_SOURCE /sheet13 10 H /sheet13 6 D	DB_TDI /sheet10 3 C /page1 4 B	DB_TDO /sheet10 3 C	HW_DET_BAND_SEL /sheet10 3 D /sheet10 2 B	KP_OUT0 /sheet10 3 F /sheet26 8 B	PIXEL_DATA1 /sheet36 3 C /sheet36 13 B	PM_SIN26M /sheet4 4 C /sheet4 2 C /sheet13 3 E /sheet2 13 C	RF_FE_DTR_DCS /sheet4 2 C /sheet4 4 C /sheet10 6 B /sheet2 2 C	SENSE_IN1 /sheet13 3 D /sheet13 11 F	USB_D- /sheet10 13 C /sheet15 15 F	VDD_RF2 /sheet4 2 E /sheet4 4 E /sheet13 8 C /sheet2 11 A /sheet2 11 C
2.65V /sheet11 11 D /sheet11 5 C /sheet11 8 B /sheet11 8 B /sheet11 9 B /sheet10 15 D /sheet10 2 A /sheet10 10 A /page1 2 B /sheet26 10 F /sheet15 3 B /sheet15 14 E /sheet15 10 G /sheet13 3 D /sheet13 8 B	BATT+_F1 /sheet13 2 B /sheet13 9 D /sheet16 2 B	CIF_CLK /sheet10 3 C /sheet36 7 D	DB_TMS /sheet10 3 C /page1 4 B	DB_TRST /sheet10 3 C /page1 4 C	HW_DET_EXT_STEPUP /sheet10 2 B /sheet10 3 D	KP_OUT1 /sheet10 3 F /sheet26 8 B	PIXEL_DATA2 /sheet36 3 C /sheet36 13 B	PM_SSC_CS /sheet10 6 B /sheet13 4 F	RF_FE_DTR_GSM /sheet4 4 C /sheet4 2 C /sheet10 6 B /sheet2 2 B	SENSE_IN2 /sheet13 3 D /sheet13 11 F	USB_MODE /sheet15 15 D /sheet13 8 B	VDD_RTC /sheet11 5 C /sheet13 8 B /sheet13 2 C
2.9V /sheet11 5 B /sheet4 10 C /sheet4 13 C /sheet26 9 A /sheet15 12 B /sheet13 8 B /sheet36 11 A	BC0 /sheet10 7 F /sheet12 9 B /sheet12 14 E	CIF_CS /sheet10 6 B /sheet36 7 C	DB_TRST /sheet10 3 C /page1 4 C	DCD /sheet15 9 E /sheet15 12 F	HW_DET_MOB_TYPE1 /sheet10 2 A /sheet10 3 D	KP_OUT2 /sheet10 3 E /sheet26 8 B	PIXEL_DATA3 /sheet36 3 C /sheet36 13 B	PM_SSC_MRST /sheet10 13 D /sheet13 6 F	SIM_CLK /sheet10 11 B /sheet16 7 E	SIM_IO /sheet10 11 B /sheet16 7 E	VAUDREGA /sheet13 3 E /sheet13 8 C /sheet13 3 C	VDD_SIM /sheet13 8 B /sheet16 7 E
2.9V_CIF /sheet36 6 D /sheet36 6 D /sheet36 12 A /sheet36 2 E /sheet36 3 A	BC1 /sheet10 7 F /sheet12 9 B /sheet12 14 E	CIF_MTSR /sheet10 3 C /sheet36 7 D	DISPLAY_CS1 /sheet4 13 D /sheet4 10 D /sheet10 3 C /sheet15 12 A	DISPLAY_CLK /sheet4 13 C /sheet4 10 C /sheet15 12 B /sheet36 2 E	HW_DET_MOB_TYPE2 /sheet10 2 A /sheet10 3 D	LIGHT_DISP /sheet4 13 D /sheet4 10 D /sheet15 12 B /sheet16 6 B	PIXEL_DATA4 /sheet36 3 C /sheet36 13 B	PM_SSC_SCLK /sheet10 13 D /sheet13 4 F	RF_I /sheet4 2 B /sheet4 4 B /sheet10 8 B /sheet2 11 F	SIM_RST /sheet10 11 B /sheet16 7 E	VBAT /sheet10 9 B /sheet10 15 B	VDD_USB /sheet11 5 C /sheet15 13 E /sheet13 8 B
A(0:24) /sheet10 12 G /sheet12 14 E /sheet12 8 C /sheet12 3 E	BFCLKI /sheet10 6 F /sheet12 6 C	CIF_MRST /sheet10 5 B /sheet36 6 D	DISPLAY_CS1 /sheet4 13 D /sheet4 10 D /sheet10 3 C /sheet15 12 A	DISPLAY_DAT /sheet4 13 C /sheet4 10 C /sheet15 12 B /sheet36 2 E	HW_DET_MOB_TYPE3 /sheet10 2 A /sheet10 3 D	LIGHT_PWM1 /sheet13 6 D /sheet16 2 A	PIXEL_DATA5 /sheet36 3 C /sheet36 13 B	PM_SSC_MTSR /sheet10 13 D /sheet13 4 F	RF_IX /sheet4 2 B /sheet4 4 B /sheet10 8 B /sheet2 11 F	SLEEP2_N /sheet13 3 D	VBOOST /sheet4 10 D /sheet4 13 D /sheet26 10 A /sheet15 12 B /sheet13 11 D	VDD_VIBRA /sheet26 2 B /sheet13 8 B
AC_CTS /sheet10 13 E /sheet15 15 F	BFCLKO /sheet10 6 G /sheet12 6 C	CIF_RESET /sheet10 3 C /sheet36 7 C	DISPLAY_CS1 /sheet4 13 D /sheet4 10 D /sheet10 3 C /sheet15 12 A	DISPLAY_DAT /sheet4 13 C /sheet4 10 C /sheet15 12 B /sheet36 2 E	I2C_CLK /sheet10 13 D /sheet13 3 F	LIGHT_PWM2 /sheet13 6 D /sheet16 2 C	PIXEL_DATA6 /sheet36 3 C /sheet36 13 B	PM_WADOG /sheet10 5 B /sheet13 3 D	RF_Q /sheet4 2 B /sheet4 4 B /sheet10 8 B /sheet2 11 F	STEPDOWN_GND /sheet13 10 C /sheet13 11 C /sheet13 6 F /sheet13 11 C /sheet13 10 C /sheet13 3 B	VBOOST_FB /sheet13 3 C /sheet13 9 D	VREFEXS_GND /sheet13 3 G /sheet13 3 E /sheet13 3 G
AC_DCD /sheet10 5 B /sheet15 15 F /sheet15 8 G	BFCLKO /sheet10 6 G /sheet12 6 C	CIF_RS /sheet10 3 C /sheet36 7 C	DISPLAY_CS1 /sheet4 13 D /sheet4 10 D /sheet10 3 C /sheet15 12 A	DISPLAY_DAT /sheet4 13 C /sheet4 10 C /sheet15 12 B /sheet36 2 E	I2C_DAT /sheet10 13 D /sheet13 4 F /sheet13 3 F	MIC1A /sheet26 6 D /sheet26 5 D /sheet13 2 E	PIXEL_DATA7 /sheet36 3 C /sheet36 13 B	PM_CHARGE_UC /sheet10 5 B /sheet13 3 D	RF_QX /sheet4 4 B /sheet4 2 B /sheet10 8 B /sheet2 11 F	STEPUP_GND /sheet13 10 C /sheet13 9 E /sheet13 10 E /sheet13 11 E /sheet13 10 E	VBUCK /sheet13 2 B /sheet13 11 C	WAIT /sheet10 6 F /sheet12 6 C /sheet12 14 E
AC_RTS /sheet10 13 E /sheet15 15 F	BFCLKO /sheet10 6 G /sheet12 6 C	CIF_VSYNC /sheet10 13 F /sheet15 8 F /sheet36 1 C	DISPLAY_CS1 /sheet4 13 D /sheet4 10 D /sheet10 3 C /sheet15 12 A	DISPLAY_DAT /sheet4 13 C /sheet4 10 C /sheet15 12 B /sheet36 2 E	I2C_DAT /sheet10 13 D /sheet13 4 F /sheet13 3 F	MIC1B /sheet26 5 D /sheet26 6 D /sheet13 2 E	PM_I2S_CLK /sheet10 13 C /sheet13 3 F /sheet13 7 F	PM_I2S_DAC /sheet10 13 C /sheet13 3 F	RF_RAMP1 /sheet4 2 C /sheet4 4 C /sheet2 1 F	STEREO1_OUT /sheet15 9 E /sheet13 6 E	VBUCK_FB /sheet13 10 C /sheet13 3 C	WR /sheet10 7 F /sheet12 11 B /sheet12 6 B
AC_RX /sheet10 13 E	BOOST_OUT /sheet13 10 E /sheet13 6 C	CKE /sheet10 7 F /sheet12 9 B /sheet12 14 E	DISPLAY_CS1 /sheet4 13 D /sheet4 10 D /sheet10 3 C /sheet15 12 A	DISPLAY_DAT /sheet4 13 C /sheet4 10 C /sheet15 12 B /sheet36 2 E	IR_AC_RX /sheet10 13 E /sheet26 10 E	MICBIAS_F /sheet26 5 D /sheet15 5 F /sheet13 8 E	PM_I2S_WA0 /sheet10 13 C /sheet13 7 F /sheet13 3 F	RF_AFC /sheet4 4 B /sheet4 2 B /sheet10 1 E /sheet2 15 C	RF_SIN26M /sheet4 2 C /sheet4 4 C /sheet10 1 E /sheet2 14 D	STEREO2_OUT /sheet15 9 E /sheet13 6 E	VBUCK_LX /sheet13 6 C /sheet13 10 C	
	BREF /sheet10 10 B /sheet10 15 A	CLK32 /sheet10 5 B /sheet36 7 E	DISPLAY_CS1 /sheet4 13 D /sheet4 10 D /sheet10 3 C /sheet15 12 A	DISPLAY_DAT /sheet4 13 C /sheet4 10 C /sheet15 12 B /sheet36 2 E	IR_AC_SEL /sheet10 7 B /sheet26 14 E	MICEA /sheet15 6 G /sheet15 9 E /sheet13 2 E	PM_INT	REF_GND /sheet13 2 B /sheet13 7 G /sheet13 6 G	RF_STR /sheet4 2 A /sheet4 4 A	TBAT /sheet10 9 B /sheet10 13 A	VDD_AFC /sheet11 8 B /sheet13 8 C	
	CAMERA_CLK /sheet36 3 C /sheet36 8 B	CS3 /sheet10 7 F /sheet12 14 F	DISPLAY_CS1 /sheet4 13 D /sheet4 10 D /sheet10 3 C /sheet15 12 A	DISPLAY_DAT /sheet4 13 C /sheet4 10 C /sheet15 12 B /sheet36 2 E	IR_AC_TX /sheet10 13 E /sheet26 14 E	MICEB /sheet15 6 F /sheet15 9 F /sheet13 2 E		RF_STR /sheet4 2 A /sheet4 4 A				
	CAMERA_DATA_CLK /sheet36 3 D /sheet36 9 B	CS_FLASH /sheet10 7 F /sheet12 6 B	DISPLAY_CS1 /sheet4 13 D /sheet4 10 D /sheet10 3 C /sheet15 12 A	DISPLAY_DAT /sheet4 13 C /sheet4 10 C /sheet15 12 B /sheet36 2 E	KB_ON_OFF /sheet26 8 B /sheet13 2 C							
	CAMERA_HSYNC /sheet36 3 C /sheet36 13 C	CS_FLASH1 /sheet10 7 F /sheet12 14 F	EXTBOOST_EN /sheet13 11 C /sheet13 8 D	EXTBOOST_EN /sheet13 11 C /sheet13 8 D	KP_IN0 /sheet10 5 G /sheet26 13 A							

DATE	18.04.2005	C75-Aries_V1 B2 Layout TOP HIERARCHY LEVEL SCHEMATIC	1:1
USER	Jaeschke		
APPR'D			
COM MD HW 4 KLF			
Siemens AG		160698	netlist1
1	26211	18.04.2005	Jae
VERS.	CHANGE NUMBER	DATE	NAME
( Created by BOM number: A5B00900184205-26211 )			

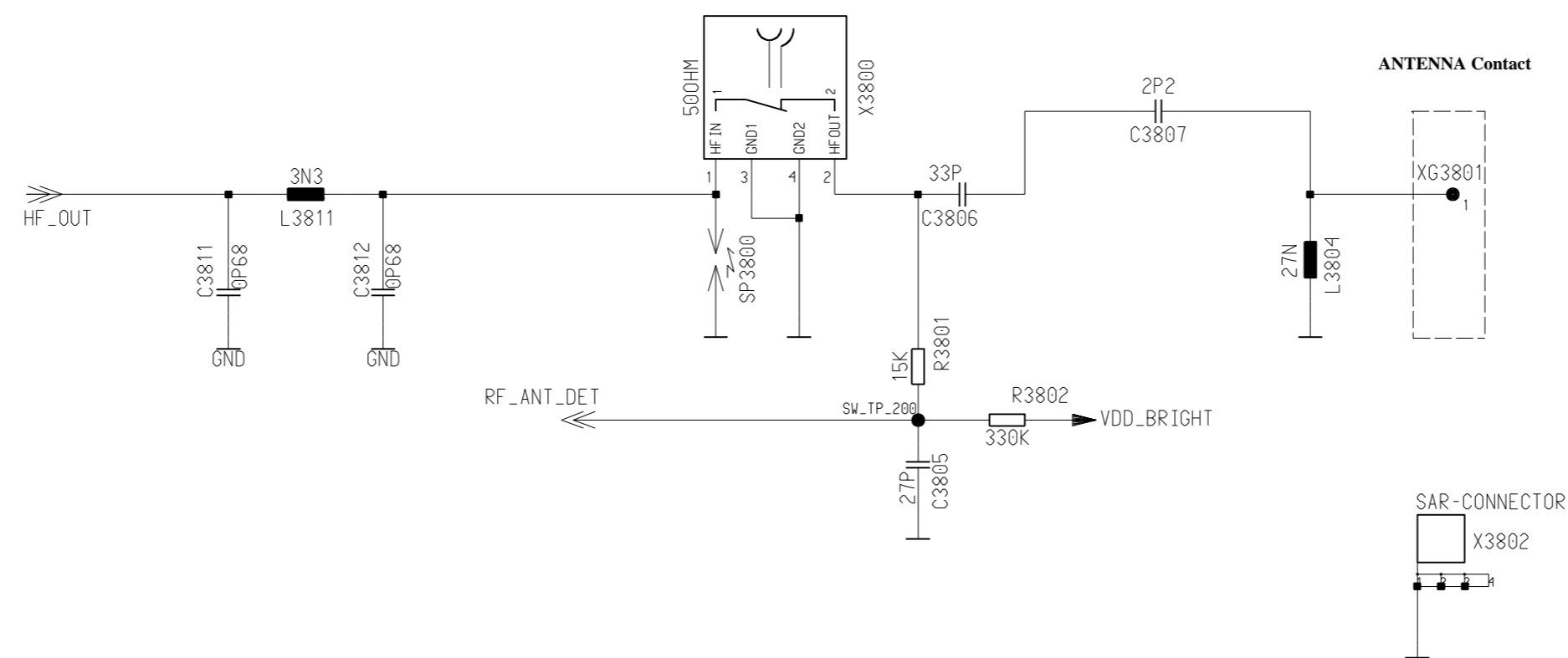
Proprietary data, company confidential.  
All rights reserved

Als Betriebsgeheimnis anvertraut  
Alle Rechte vorbehalten

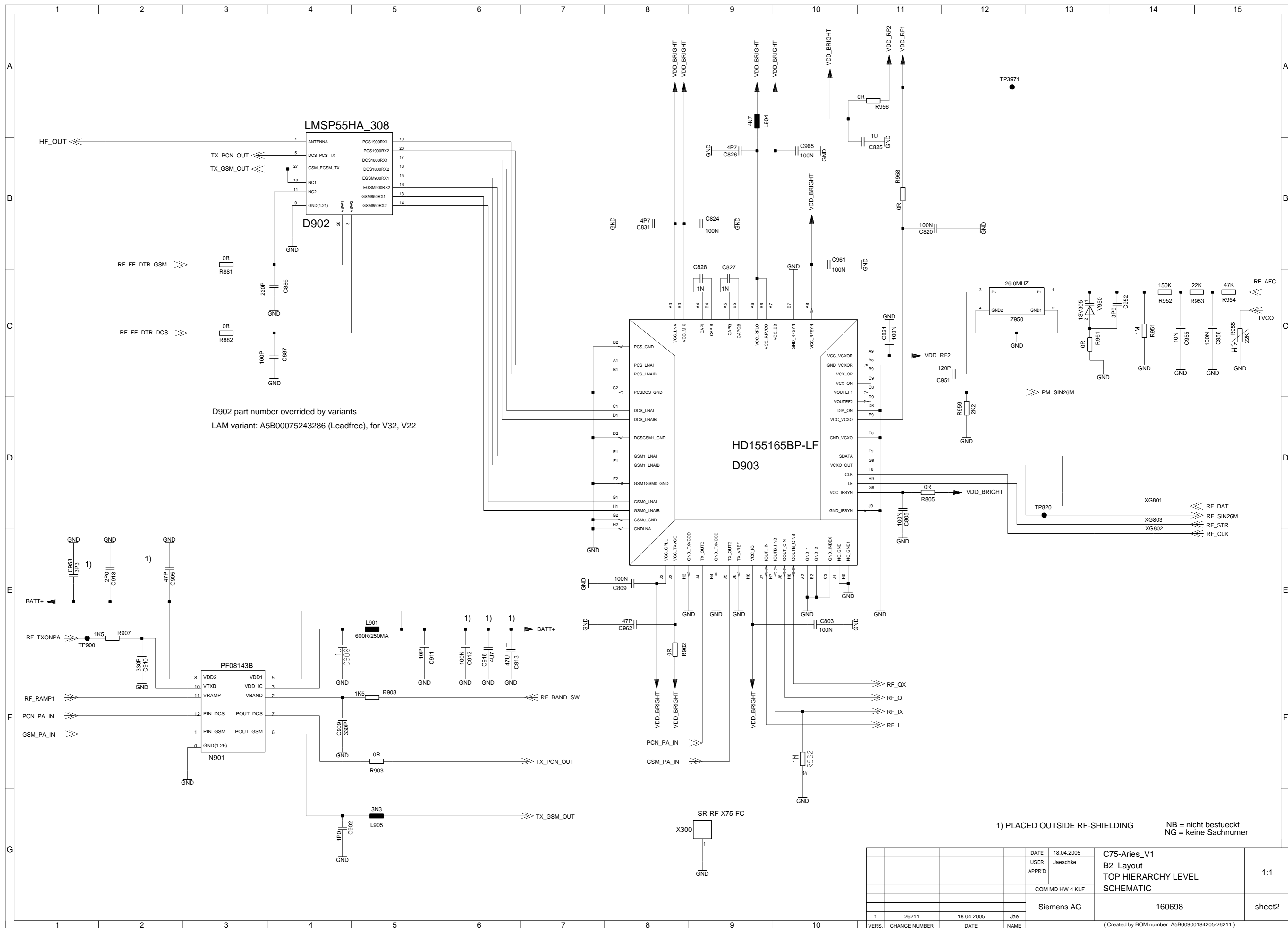
	1	2	3	4	5	6	7	8	9	10	
A	C803 /sheet2 10 E	C1302 /sheet13 4 A	C1513 /sheet15 8 F	L905 /sheet2 5 G	R1340 /sheet13 11 D	V1304 /sheet13 10 E					
	C805 /sheet2 11 D	C1303 /sheet13 4 B	C1515 /sheet15 12 D	L1300 /sheet13 2 B	R1341 /sheet13 11 D	V1305-1 /sheet13 10 G					
	C809 /sheet2 8 E	C1304-1 /sheet13 2 B	C1523 /sheet15 5 D	L1301 /sheet13 10 C	R1342 /sheet13 9 D	V1305-2 /sheet13 10 G					
	C817 /sheet2 13 E	C1304-2 /sheet13 2 B	C1524 /sheet15 7 F	L1302 /sheet13 10 D	R1343 /sheet13 10 E	V1364 /sheet13 7 A					
	C818 /sheet2 13 E	C1305 /sheet13 10 B	C1525 /sheet15 6 F	L1303 /sheet13 2 B	R1344 /sheet13 11 F	V1400 /sheet15 3 B					
	C819 /sheet2 14 E	C1306 /sheet13 3 B	C1526 /sheet15 5 F	L1318 /sheet13 10 A	R1353 /sheet13 9 G	V1500 /sheet15 9 G					
	C820 /sheet2 11 B	C1307 /sheet13 3 B	C1527 /sheet15 12 D	L1331 /sheet13 10 D	R1399 /sheet13 7 C	V1605 /sheet16 3 F					
	C821 /sheet2 11 C	C1308 /sheet13 3 D	C1528 /sheet15 14 E	L2633 /sheet26 13 E	R1500 /sheet15 4 F	V2100 /sheet26 4 B					
	C824 /sheet2 9 B	C1309 /sheet13 4 D	C1541 /sheet15 6 F	L3802 /sheet1 9 D	R1501 /sheet15 4 F	V2302 /sheet16 5 B					
	C825 /sheet2 10 B	C1310 /sheet13 4 D	C1548 /sheet15 9 F	L3803 /sheet1 9 D	R1502 /sheet15 5 F	V2303 /sheet16 2 B					
	C826 /sheet2 9 B	C1311 /sheet13 4 D	C1549 /sheet15 9 F	L3804 /sheet1 10 D	R1503 /sheet15 8 E	V2650 /sheet26 12 E					
	C827 /sheet2 9 C	C1312 /sheet13 4 D	C1601 /sheet16 4 F	L3811 /sheet1 5 D	R1504 /sheet15 8 E	V2821-1 /sheet16 5 C					
	C828 /sheet2 9 C	C1313 /sheet13 4 D	C1602 /sheet16 5 F	N901 /sheet2 3 F	R1505 /sheet15 5 F	V2821-2 /sheet16 5 C					
	C831 /sheet2 8 B	C1314 /sheet13 4 D	C1603 /sheet16 5 F	N1330 /sheet13 11 C	R1507 /sheet15 9 G	X300 /sheet2 9 G					
	C886 /sheet2 4 C	C1315-2 /sheet13 10 B	C1604 /sheet16 5 F	N1501 /sheet15 11 E	R1508 /sheet15 8 F	X1000 /sheet10 13 F					
	C887 /sheet2 4 C	C1315-1 /sheet13 10 B	C1605 /sheet16 6 F	N3600 /sheet36 11 D	R1509 /sheet15 14 D	X1300 /sheet13 3 H					
	C900 /sheet2 4 F	C1316 /sheet13 7 C	C1606 /sheet16 5 F	R805 /sheet2 11 D	R1510 /sheet15 14 E	X1400 /sheet15 2 B					
	C901 /sheet2 5 F	C1317 /sheet13 3 E	C1705 /sheet26 4 F	R806 /sheet2 11 D	R1511 /sheet15 14 E	X1504 /sheet15 2 E					
	C902 /sheet2 4 G	C1318-1 /sheet13 11 B	C1708 /sheet26 4 F	R881 /sheet2 3 B	R1512 /sheet15 7 D	X1604 /sheet16 2 E					
	C903 /sheet2 5 G	C1318-2 /sheet13 11 B	C1709 /sheet26 4 F	R882 /sheet2 3 C	R1513 /sheet15 11 D	X1700 /sheet26 1 G					
	C904 /sheet2 5 E	C1319 /sheet13 3 E	C1901 /sheet26 3 D	R902 /sheet2 8 F	R1515 /sheet15 12 D	X2202 /sheet15 9 B					
	C905 /sheet2 2 E	C1320 /sheet13 8 C	C1902 /sheet26 3 D	R903 /sheet2 5 F	R1524 /sheet15 6 G	X2203 /sheet15 10 C					
	C907 /sheet2 2 E	C1321 /sheet13 3 E	C1904 /sheet26 3 D	R907 /sheet2 2 E	R1525 /sheet15 6 F	X2705 /sheet26 11 B					
	C908 /sheet2 4 E	C1322 /sheet13 3 E	C2100 /sheet26 3 B	R908 /sheet2 5 F	R1591 /sheet15 9 E	X2706 /sheet26 12 C					
	C909 /sheet2 4 F	C1323 /sheet13 3 E	C2101 /sheet26 5 B	R951 /sheet2 14 C	R1613 /sheet16 4 E	X2707 /sheet26 13 C					
	C910 /sheet2 2 F	C1324 /sheet13 3 E	C2231 /sheet15 10 B	R952 /sheet2 14 C	R1614 /sheet16 7 E	X3552 /sheet36 12 F					
	C911 /sheet2 5 E	C1325 /sheet13 3 E	C2232 /sheet15 12 B	R953 /sheet2 14 C	R1703 /sheet26 5 F	X3651 /sheet36 10 C					
	C912 /sheet2 6 E	C1326 /sheet13 3 F	C2233 /sheet15 11 B	R954 /sheet2 15 C	R1704 /sheet26 5 F	X3800 /sheet1 8 D					
	C913 /sheet2 6 E	C1327 /sheet13 3 F	C2235 /sheet15 12 B	R955 /sheet2 15 C	R1901 /sheet26 4 D	X3802 /sheet1 11 E					
	C916 /sheet2 6 E	C1328 /sheet13 4 F	C2236 /sheet15 11 B	R956 /sheet2 11 A	R1902 /sheet26 4 D	Z950 /sheet2 13 C					
	C918 /sheet2 2 E	C1329-2 /sheet13 6 B	C2237 /sheet15 10 B	R957 /sheet2 11 A	R1926 /sheet26 5 D	Z1000 /sheet10 2 E					
	C951 /sheet2 12 C	C1329-1 /sheet13 6 B	C2238 /sheet15 11 B	R958 /sheet2 11 B	R1927 /sheet26 5 D	Z1500 /sheet15 13 F					
	C952 /sheet2 14 C	C1330-1 /sheet13 6 B	C2320 /sheet16 4 B	R959 /sheet2 12 C	R2310 /sheet16 4 A						
	C953 /sheet2 14 C	C1330-2 /sheet13 6 B	C2631 /sheet26 10 F	R960 /sheet2 13 C	R2311 /sheet16 5 B						
	C955 /sheet2 14 C	C1331 /sheet13 10 B	C2632 /sheet26 11 F	R961 /sheet2 13 C	R2312 /sheet16 4 B						
	C956 /sheet2 15 C	C1332-2 /sheet13 8 B	C2633 /sheet26 12 E	R962 /sheet2 10 F	R2321 /sheet16 3 A						
	C958 /sheet2 1 E	C1332-1 /sheet13 7 B	C2634 /sheet26 10 E	R1003 /sheet10 4 B	R2632 /sheet26 12 E						
	C961 /sheet2 10 B	C1333 /sheet13 6 E	C2635 /sheet26 13 E	R1004 /sheet10 4 A	R2633 /sheet26 14 E						
	C962 /sheet2 8 E	C1334 /sheet13 6 E	C2652 /sheet26 14 E	R1006 /sheet10 3 E	R2727 /sheet26 10 A						
	C965 /sheet2 10 B	C1336 /sheet13 10 D	C2653 /sheet26 13 E	R1012 /sheet10 7 B	R2728 /sheet26 10 A						
	C1000 /sheet10 3 E	C1337 /sheet13 6 B	C2702 /sheet26 8 C	R1014 /sheet10 10 B	R2729 /sheet26 9 A						
	C1001 /sheet10 2 E	C1338 /sheet13 8 B	C2703 /sheet26 9 C	R1015 /sheet10 9 A	R2871 /sheet16 4 C						
	C1002 /sheet10 2 E	C1339 /sheet13 7 C	C2704 /sheet26 9 C	R1018 /sheet10 13 A	R2872 /sheet16 3 C						
	C1003 /sheet10 2 E	C1340 /sheet13 7 C	C2705 /sheet26 9 C	R1021 /sheet10 15 A	R2873 /sheet16 5 D						
	C1004 /sheet10 7 A	C1341 /sheet13 7 C	C2706 /sheet26 10 C	R1022 /sheet10 15 B	R2874 /sheet16 3 C						
	C1005 /sheet10 6 A	C1342 /sheet13 7 C	C2707 /sheet26 10 C	R1023 /sheet10 15 C	R2875 /sheet16 5 D						
	C1011 /sheet10 10 B	C1343 /sheet13 7 C	C2708 /sheet26 10 C	R1024 /sheet10 14 D	R2876 /sheet16 5 C						
	C1012 /sheet10 14 B	C1344 /sheet13 8 B	C2709 /sheet26 10 C	R1025 /sheet10 14 D	R3600 /sheet36 6 F						
	C1013 /sheet10 14 C	C1345 /sheet13 8 C	C2710 /sheet26 11 C	R1038 /sheet10 10 A	R3601 /sheet36 6 F						
	C1014 /sheet10 15 C	C1346 /sheet13 7 E	C2734 /sheet26 9 A	R1039 /sheet10 9 A	R3618 /sheet36 9 B						
	C1037 /sheet10 3 C	C1347 /sheet13 7 E	C2821 /sheet16 3 C	R1040 /sheet10 2 A	R3623 /sheet36 3 C						
	C1038 /sheet10 13 F	C1348 /sheet13 7 E	C2823 /sheet16 4 C	R1041 /sheet10 2 A	R3635 /sheet36 6 E						
	C1110 /sheet11 9 C	C1349 /sheet13 4 E	C3600 /sheet36 3 B	R1042 /sheet10 3 A	R3639 /sheet36 11 E						
	C1120 /sheet11 6 C	C1350 /sheet13 7 F	C3601 /sheet36 3 B	R1043 /sheet10 3 A	R3681 /sheet36 1 C						
	C1121 /sheet11 6 C	C1351 /sheet13 11 E	C3602 /sheet36 3 B	R1045 /sheet10 2 B	R3682 /sheet36 3 E						
	C1122 /sheet11 6 B	C1352 /sheet13 11 D	C3603 /sheet36 3 B	R1046 /sheet10 2 B	R3683 /sheet36 2 E						
	C1123 /sheet11 7 B	C1353 /sheet13 3 D	C3605 /sheet36 10 B	R1047 /sheet10 3 B	R3684 /sheet36 3 F						
	C1124 /sheet11 7 B	C1354 /sheet13 11 C	C3610 /sheet36 2 C	R1048 /sheet10 3 B	R3685 /sheet36 2 C						
	C1125 /sheet11 7 B	C1355 /sheet13 11 D	C3611 /sheet36 9 B	R1049 /sheet10 3 A	R3801 /sheet1 8 D						
	C1126 /sheet11 8 C	C1356 /sheet13 11 D	C3612 /sheet36 10 B	R1050 /sheet10 4 A	R3802 /sheet1 9 E						
	C1127 /sheet11 8 C	C1357 /sheet13 10 D	C3613 /sheet36 11 D	R1051 /sheet10 3 B	S2700 /sheet26 13 B						
	C1128 /sheet11 9 C	C1358 /sheet13 11 D	C3614 /sheet36 11 D	R1052 /sheet10 4 B	TP1013 /sheet10 13 A						
	C1129 /sheet11 9 B	C1360 /sheet13 10 F	C3615 /sheet36 13 D	R1054 /sheet10 4 A	TP1022 /sheet10 9 B						
	C1130 /sheet11 9 C	C1361 /sheet13 10 F	C3617 /sheet36 1 C	R1055 /sheet10 4 B	TP1014 /sheet10 15 A						
	C1131 /sheet11 10 D	C1362 /sheet13 11 F	C3619 /sheet36 10 D	R1061 /sheet10 6 G	TP1012 /sheet10 12 A						
	C1132 /sheet11 10 D	C1363 /sheet13 7 B	C3620 /sheet36 10 D	R1063 /sheet10 6 G	TP1317 /sheet13 8 B						
	C1133 /sheet11 11 D	C1381 /sheet13 4 E	C3621 /sheet36 10 B	R1130 /sheet11 6 C	TP1320 /sheet13 7 C						
	C1134 /sheet11 11 D	C1382 /sheet13 4 E	C3622 /sheet36 9 B	R1200 /sheet12 5 B	TP1309 /sheet13 8 B						
	C1135 /sheet11 11 D	C1383 /sheet13 2 E	C3641 /sheet36 3 D	R1210 /sheet12 3 C	TP1334 /sheet13 7 C						
	C1136 /sheet11 10 E	C1384 /sheet13 2 E	C3803 /sheet1 9 D	R1211 /sheet12 6 C	TP1321 /sheet13 7 C						
	C1137 /sheet11 10 E	C1385 /sheet13 2 E	C3804 /sheet1 10 D	R1212 /sheet12 8 B	TP1318 /sheet13 6 C						
	C1139 /sheet11 10 E	C1386 /sheet13 2 E	C3805 /sheet1 8 E	R1300 /sheet13 3 B	TP1302 /sheet13 4 D						
	C1140 /sheet11 6 C	C1387 /sheet13 4 E	C3806 /sheet1 9 D	R1302 /sheet13 3 B	TP1311 /sheet13 8 B						
	C1141 /sheet11 10 C	C1391 /sheet13 6 E	C3807 /sheet1 9 D	R1303 /sheet13 2 C	TP1312 /sheet13 8 B						
	C1200 /sheet12 2 C	C1395 /sheet13 11 C	C3811 /sheet1 5 D	R1304 /sheet13 3 C	TP1307 /sheet13 8 B						
	C1201 /sheet12 2 C	C1399 /sheet13 6 E	C3812 /sheet1 6 D	R1305 /sheet13 3 C	TP1327 /sheet13 10 C						
	C1202 /sheet12 11 D	C1400 /sheet15 3 B	D902 /sheet2 4 B	R1306 /sheet13 3 C	TP1308 /sheet13 8 B						
	C1203 /sheet12 11 D	C1402 /sheet15 4 B	D903 /sheet2 8 E	R1308 /sheet13 3 D	TP3602 /sheet36 13 D						
	C1204 /sheet12 12 D	C1405 /sheet15 4 B	D1000-2 /sheet11 5 E	R1309 /sheet13 7 D	TP3600 /sheet36 10 D						
	C1205 /sheet12 12 D	C1426 /sheet15 2 B	D1000-1 /sheet10 12 F	R1311 /sheet13 3 B	TP820 /sheet2 13 D						
	C1206 /sheet12 3 C	C1504 /sheet15 4 D	D1000-3 /sheet10 2 G	R1313 /sheet13 2 F	TP900 /sheet2 1 E						
	C1207 /sheet12 12 D	C1505 /sheet15 6 F	D1201 /sheet12 9 D	R1314 /sheet13 2 F	TP3971 /sheet2 12 A						
	C1208 /sheet12 2 C	C1507 /sheet15 6 D	D1203 /sheet12 4 E	R1315 /sheet13 7 F	TP1246 /sheet12 3 C						
	C1209 /sheet12 3 C	C1508 /sheet15 5 F	D1300 /sheet13 4 F	R1320 /sheet13 7 D	TP1247 /sheet12 3 C						
	C1211 /sheet12 3 C	C1509 /sheet15 6 F	D3601 /sheet36 4 F	R1324 /sheet13 2 B	V950 /sheet2 13 C						
	C1220 /sheet12 3 C	C1511 /sheet15 7 F	L901 /sheet2 5 E	R1328 /sheet13 7 E	V1302 /sheet13 10 C						
	C1301 /sheet13 2 B	C1512 /sheet15 7 F	L904 /sheet2 9 B	R1332 /sheet13 7 C	V1303 /sheet13 11 D						
B											
C											
D											
E											

				DATE	18.04.2005	C75-Aries_V1 B2 Layout TOP HIERARCHY LEVEL SCHEMATIC	1:1
			USER	Jaeschke			
			APPR'D				
				COM MD HW 4 KLF			
				Siemens AG		160698	poslist1
1	26211	18.04.					

**ANTENNA\_CIRCUIT**  
**3800-3849**



			DATE	18.04.2005	C75-Aries_V1 B2 Layout TOP HIERARCHY LEVEL SCHEMATIC	1:1
		USER	Jaeschke			
		APPR'D				
			COM MD HW 4 KLF			
			Siemens AG		160698	sheet1
1	26211	18.04.2005	Jae			
VERS.	CHANGE NUMBER	DATE	NAME	( Created by BOM number: A5B00900184205-26211 )		



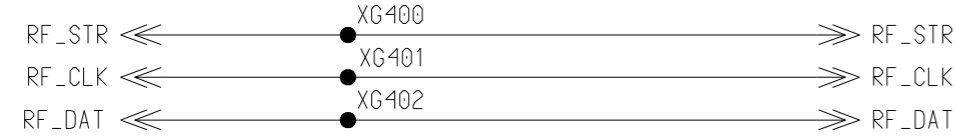
DATE	18.04.2005	C75-Aries_V1 B2 Layout TOP HIERARCHY LEVEL SCHEMATIC	1:1			
USER	Jaeschke					
APPRD						
COM MD HW 4 KLF		Siemens AG	160698			
VERS.	1			26211	18.04.2005	Jae
( Created by BOM number: A5B00900184205-26211 )						

Proprietary data, Company confidential.  
all rights reserved

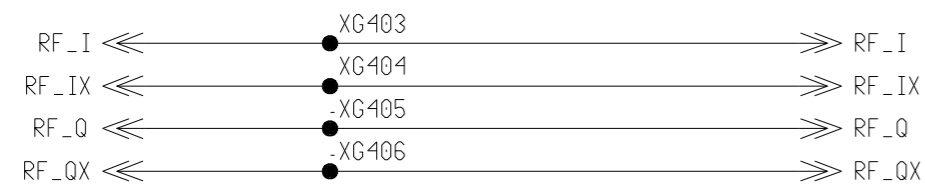
Als Betriebsgeheimnis anvertraut  
alle Rechte vorbehalten

# HIT\_POINTS LOGIK/HF\_PART\_1

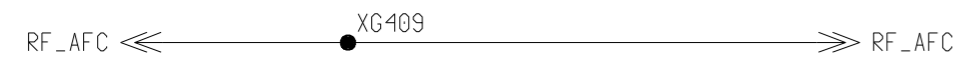
400-449



TRANCEIVER ENABLE SIGNAL  
TRANCEIVER CLOCK SIGNAL  
TRANCEIVER DATA SIGNAL



Bidirectional analogue RX/TX modulated signal  
Baseband signals



Reference frequency correction



DCSTX enable Asic for Hitachisolution  
GSM TX enable Asic for Hitachisolution



analogue power amplifier ramping signal



26 MHz reference frequency



Second 26 MHz reference frequency



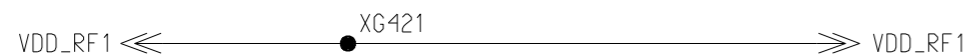
Power up of power controller



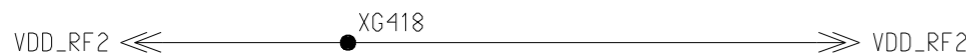
Temperature sensor X-tal



DETECTION internal/external Antenna



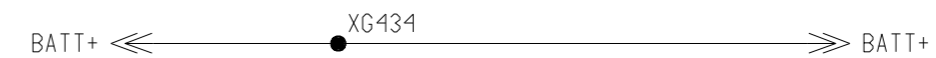
programmed voltage 1



programmed voltage 2

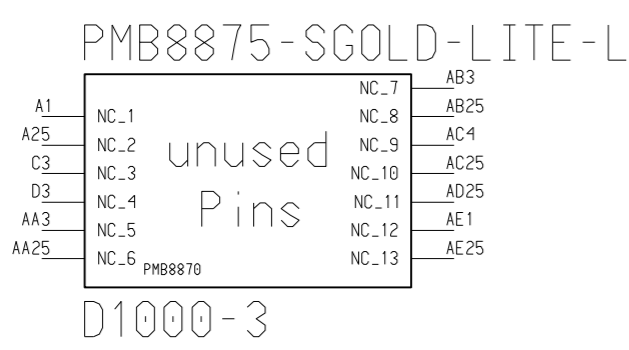
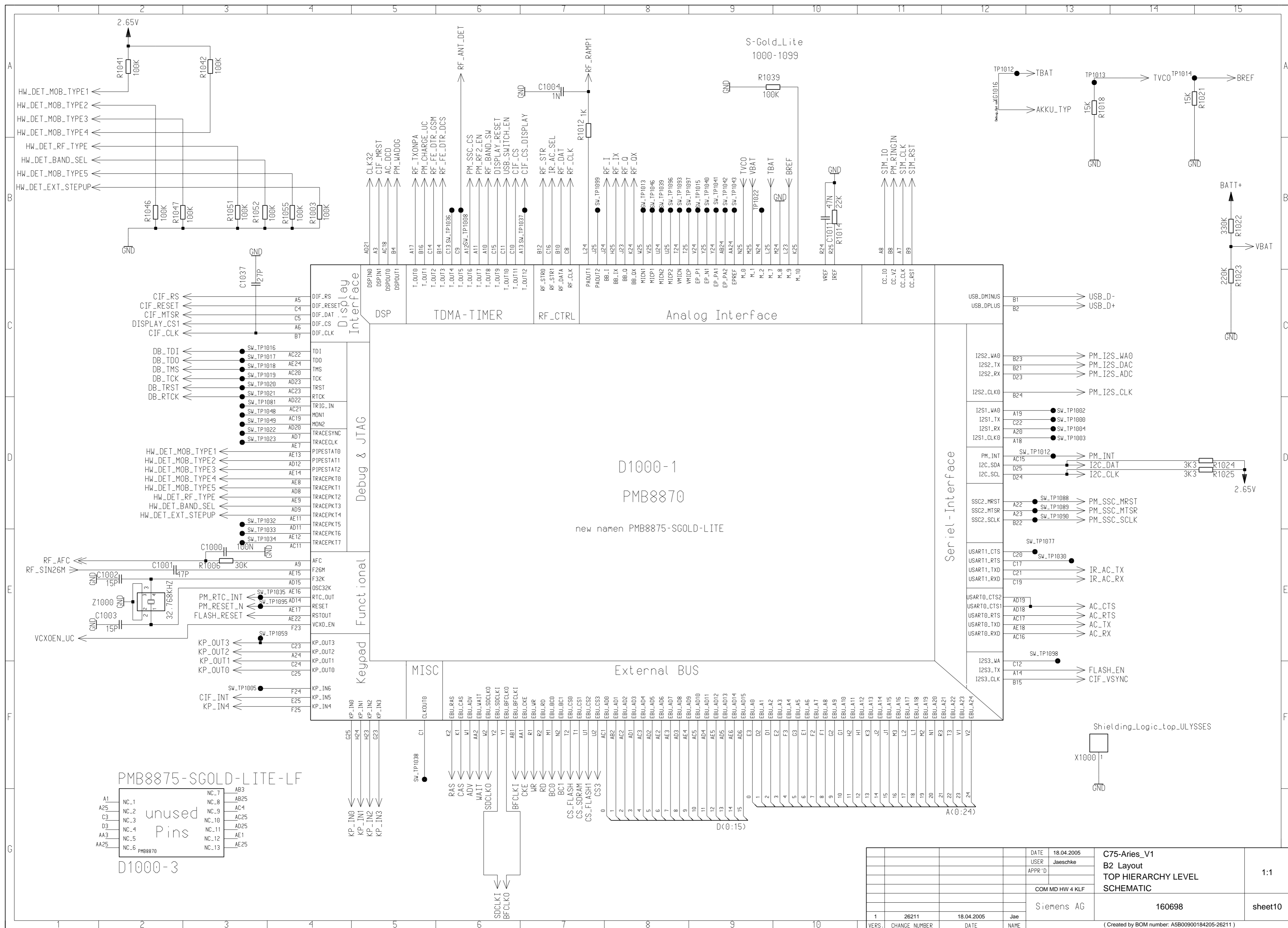


swiched LOW- / HIGH-band



SAR-GND-PAD

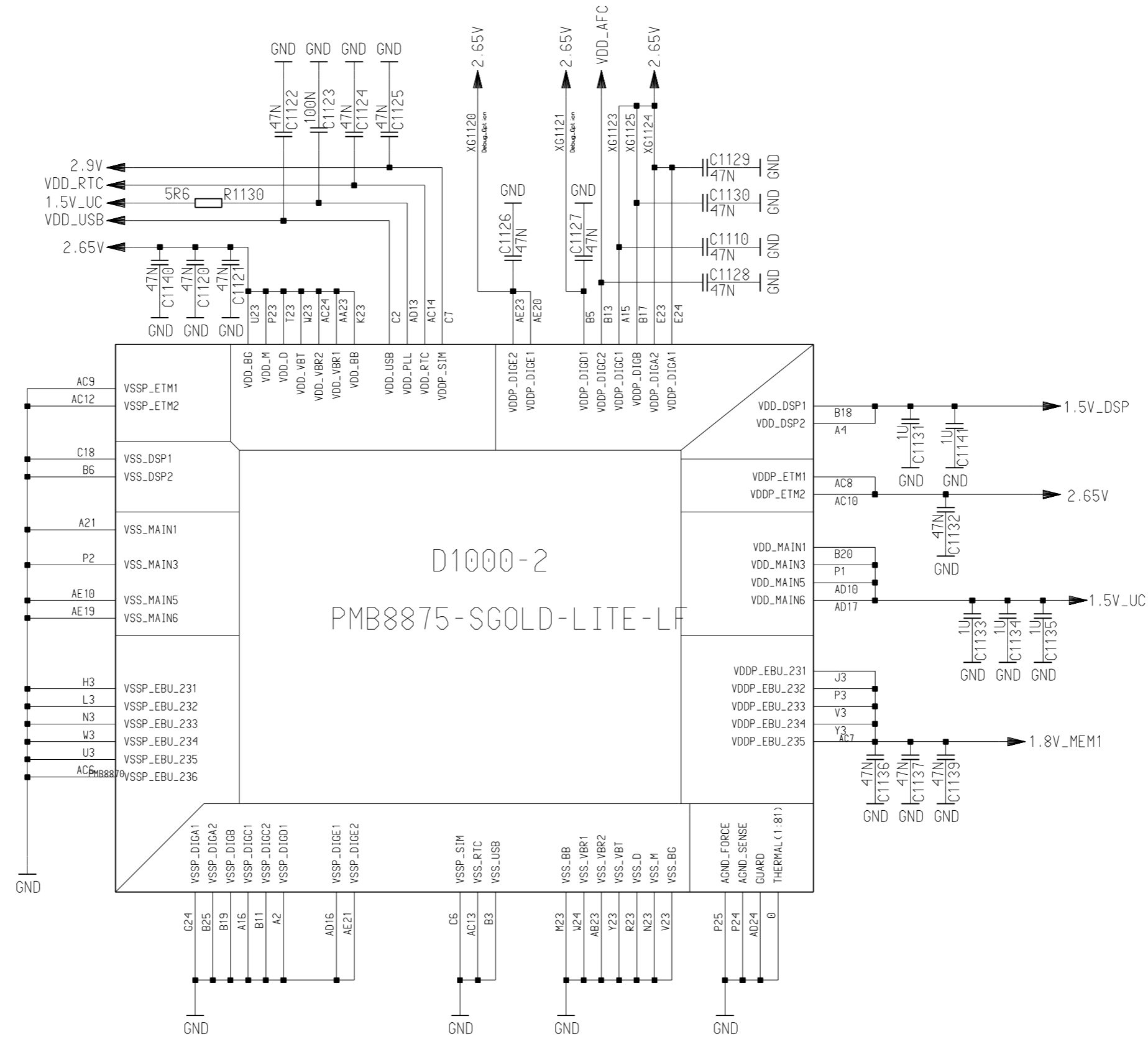
DATE	18.04.2005	C75-Aries_V1 B2 Layout TOP HIERARCHY LEVEL SCHEMATIC	1:1
USER	Jaeschke		
APPR'D			
COM MD HW 4 KLF		Siemens AG	160698
VERS.	1		
DATE	18.04.2005	NAME	Jae
( Created by BOM number: A5B00900184205-26211 )			



DATE	18.04.2005	C75-Aries_V1	1:1
USER	Jaeschke	B2 Layout	
APPR'D		TOP HIERARCHY LEVEL	
COM MD HW 4 KLF		SCHEMATIC	sheet10
Siemens AG		160698	
( Created by BOM number: A5B00900184205-26211 )			

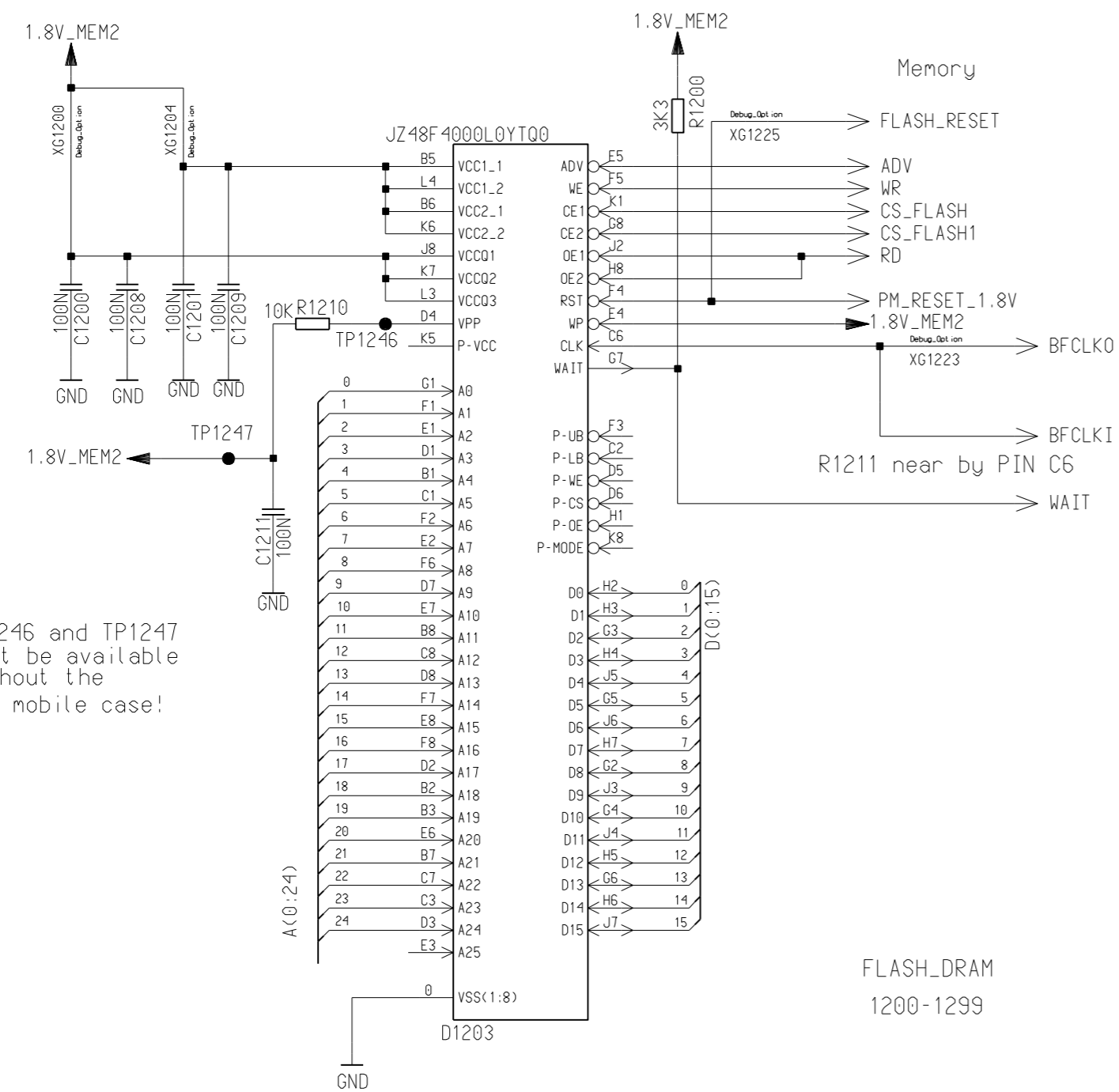
1	26211	18.04.2005	Jae
VERS.	CHANGE NUMBER	DATE	NAME

S-Goldlite Supply-Domain  
1100-1199

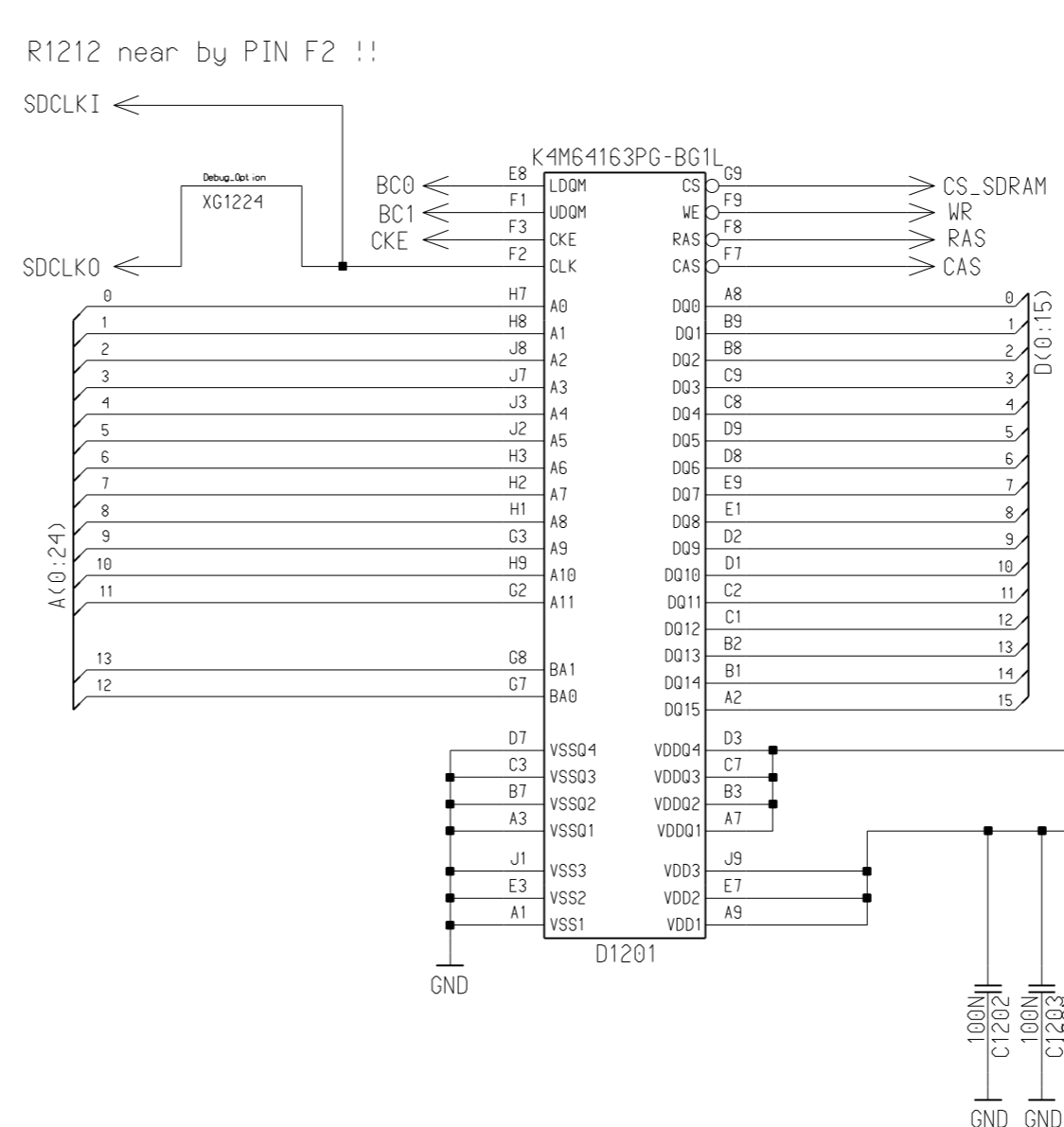


DATE	18.04.2005	C75-Aries_V1 B2 Layout TOP HIERARCHY LEVEL SCHEMATIC	1:1
USER	Jaeschke		
APPR'D			
COM MD HW 4 KLF		Siemens AG	sheet11
VERS.	1		
CHANGE NUMBER	26211	18.04.2005	Jae
( Created by BOM number: A5B00900184205-26211 )			





TP1246 and TP1247 must be available without the mobile case!

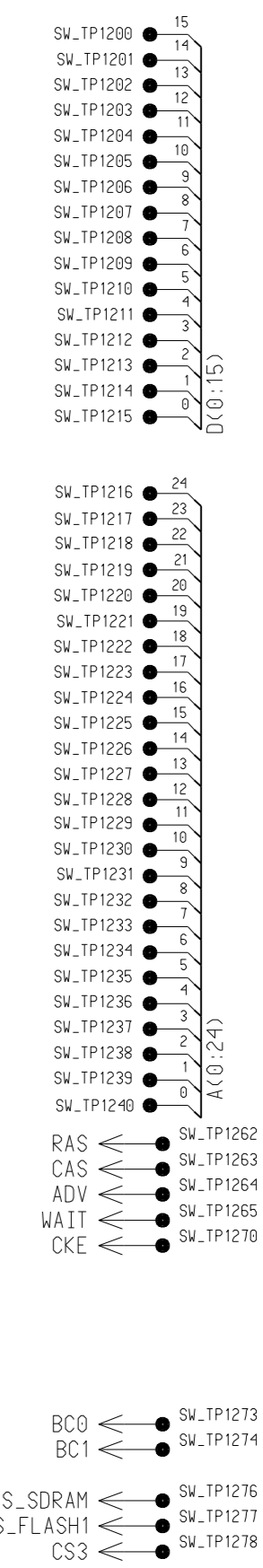


R1212 near by PIN F2 !!

R1211 near by PIN C6

FLASH\_DRAM  
1200-1299

SW-TESTPUNKTE



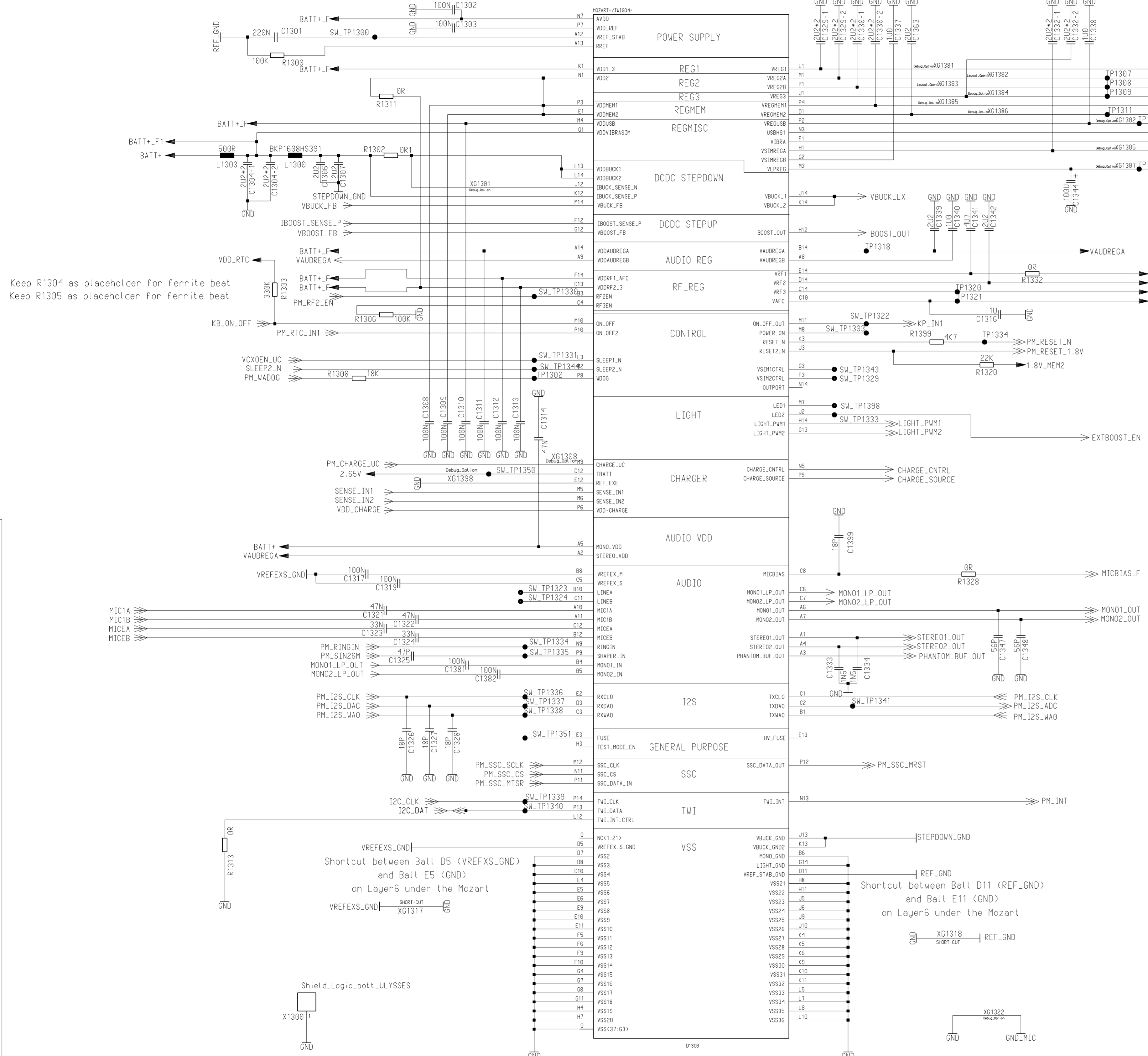
- 1) place a capacitor (decoupling) to every power ball (VCC, VCCQ) as close as possible. There should be one capacitor for each ball.
- 2) connect the power plane as short as possible via the decoupling capacitor to the power ball.
- 3) connect ground as close as possible to the decoupling capacitor.

4) Please avoid branches by routing signals to more than one target (ball), this means for every signal expecting the power connectivity's. This is very important for the clock signals.

5) The BFCLK0 & BFCLKI signal is a loop line from SGOLD2 to the Memory and back to SGOLD2. So avoid branches here as well. The same applies to SDCLK0 & SDCLKI.

DATE	18.04.2005	C75-Aries_V1		1:1
USER	Jaeschke	B2 Layout		
APPR'D		TOP HIERARCHY LEVEL		
		COM MD HW 4 KLF	SCHEMATIC	
		Siemens AG	160698	sheet12
VERS.	CHANGE NUMBER	DATE	NAME	( Created by BOM number: A5B00900184205-26211 )
1	26211	18.04.2005	Jae	

Mozart  
1300-1399

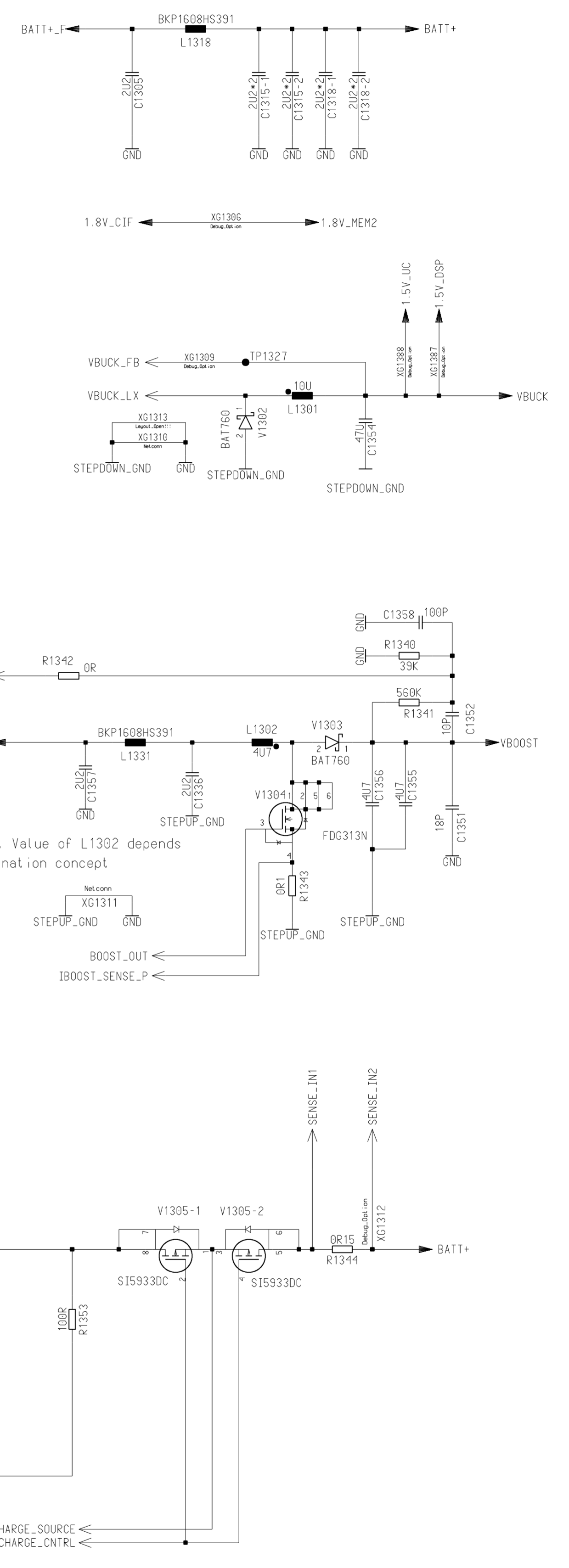


Keep R1304 as placeholder for ferrite bead  
Keep R1305 as placeholder for ferrite bead

Shortcut between Ball D5 (VREFXS\_GND)  
and Ball E5 (GND)  
on Layer6 under the Mozart

Shortcut between Ball D11 (REF\_GND)  
and Ball E11 (GND)  
on Layer6 under the Mozart

Shield\_Logics\_bott\_ULYSSES  
X1300



Component Value of L1302 depends  
on illumination concept

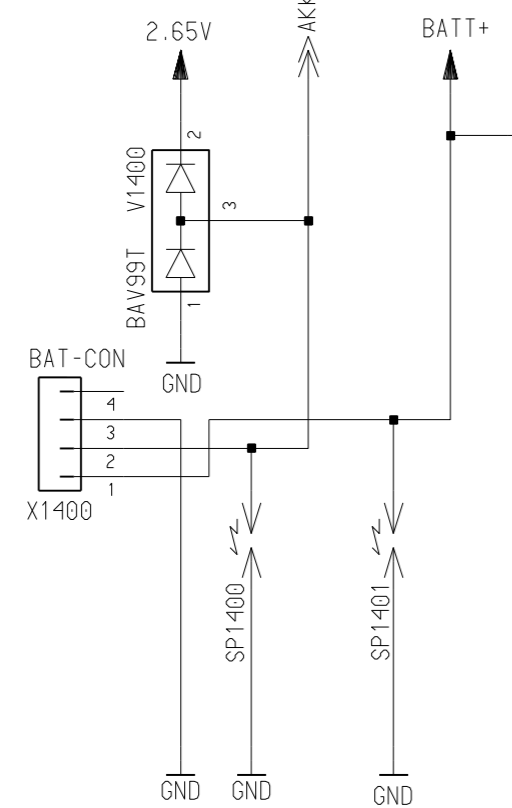
Sin nuestra expresa autorización, queda terminantemente prohibida la reproducción total o parcial de este documento, así como su uso indebido u/o su exhibición o comunicación terceros. De los infractores de esta regla el correspondiente resarcimiento de daños y perjuicios se reserva todos los derechos, según el campo de la legislación de patente de invención o el registro de Modelo Industrial.

Copying of this document and giving it to others and the use or communication of the contents thereof, are forbidden without express authority. Offenders are liable to the payment of damages. All rights are reserved in the event of the grant of a patent or the registration of a utility model or design.

Wiedergabe sowie Vervielfältigung dieses Unterlags, Verwertung und Mitteilung, ihres Inhalts nicht gestattet, soweit nicht ausdrücklich im Gegenteil ausdrücklich zugestimmt. Zuwidergehen zu Schadensersatz. Alle Rechte fuer den Fall der Patenterteilung oder der Registrierung vorbehalten.

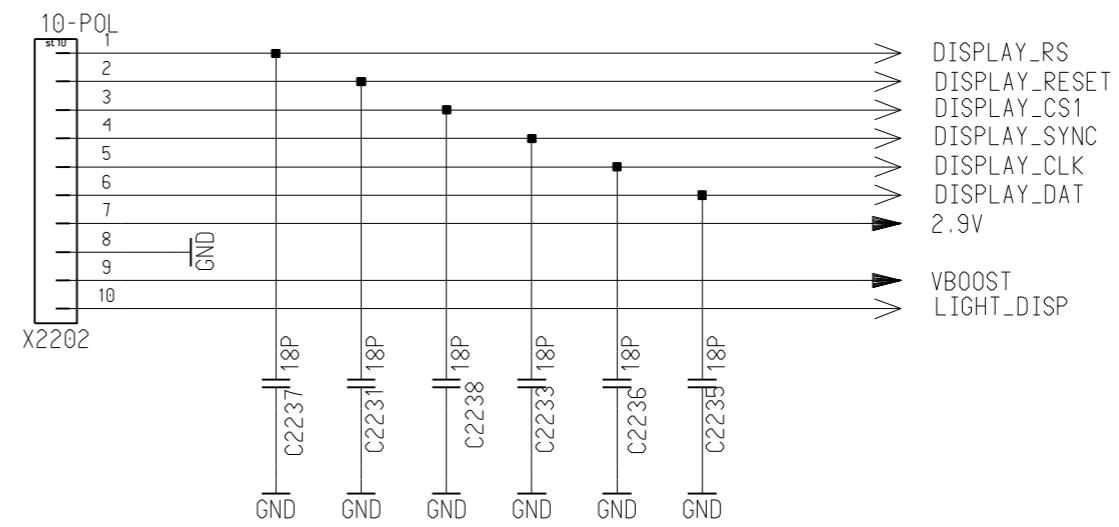
DATE	18.04.2005	C75-Aries_V1	
USER	Jaeschke	B2 Layout	
APPR'D		TOP HIERARCHY LEVEL	1:1
		SCHEMATIC	
		COM MD HW 4 KLF	
		Siemens AG	160698
			sheet13
1	20211	18.04.2005	Jan
VERS	CHANGE NUMBER	DATE	NAME

**BATTERY CONNECTOR**  
1400-1449

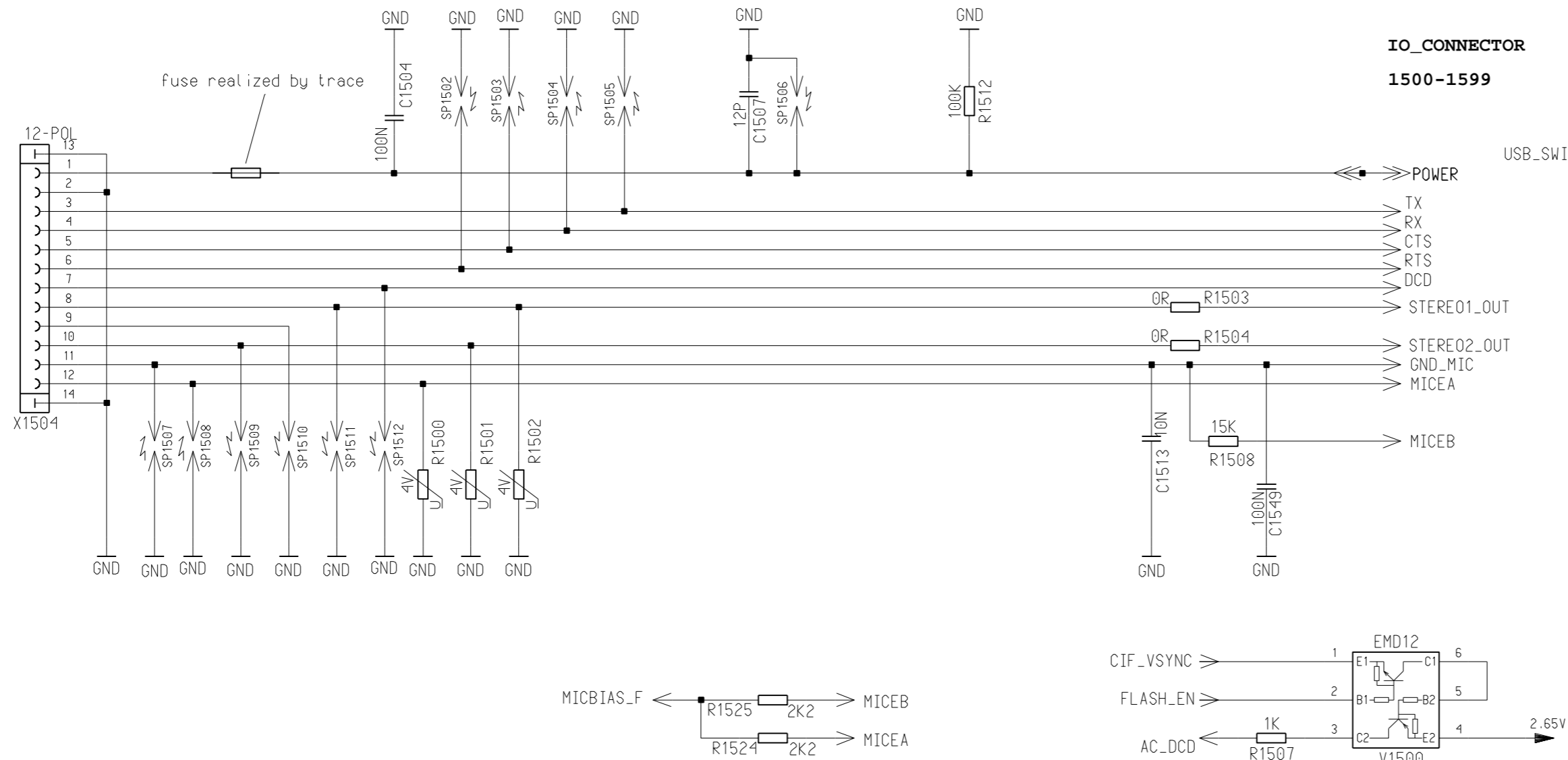
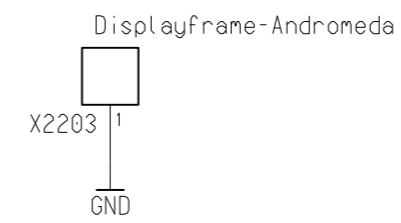


65-Plat form\_schematic\_sheet 14

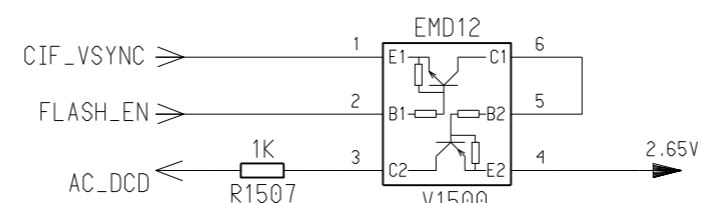
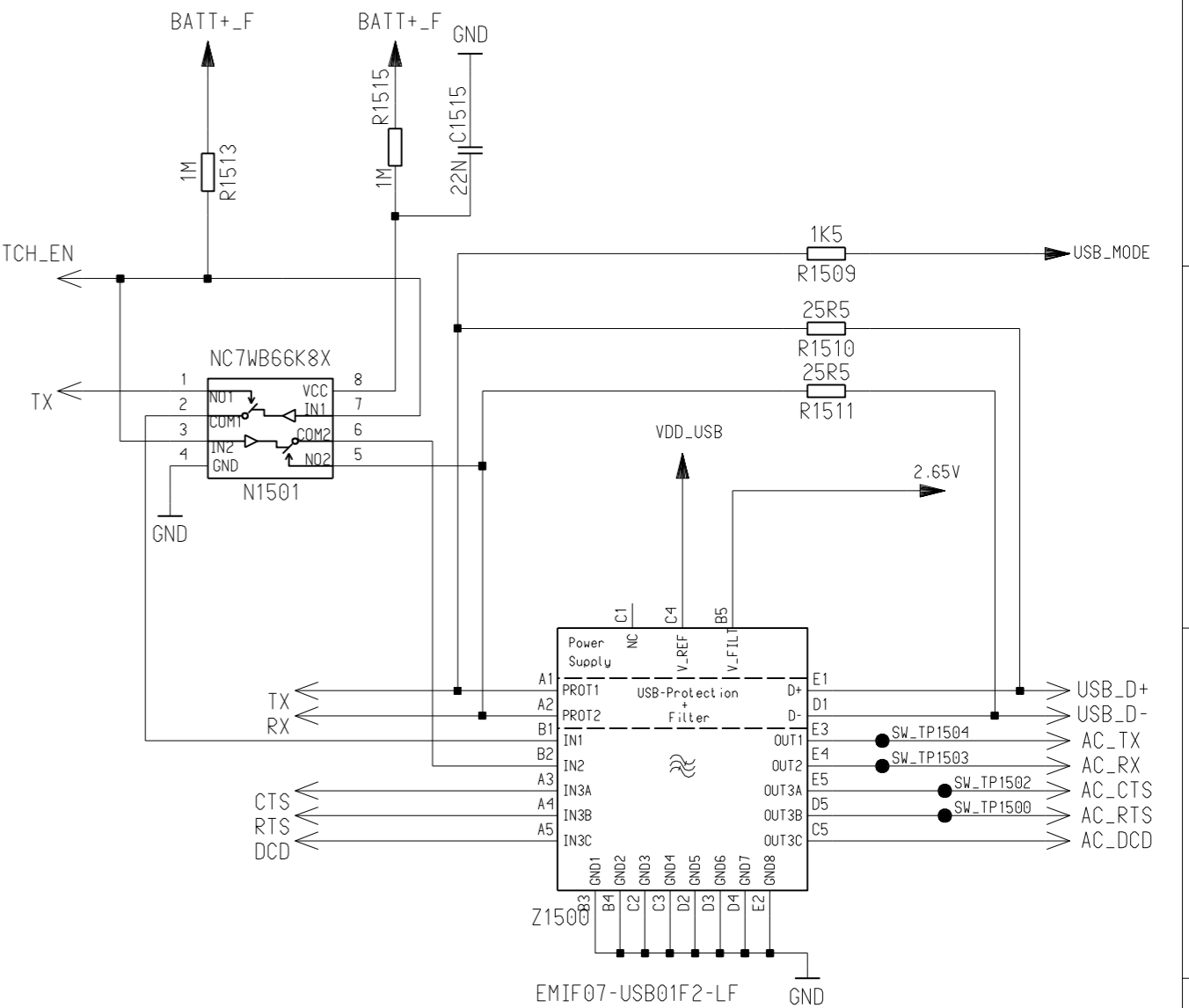
**Logic/Display\_Interface**  
2200-2299



65-Plat form\_schematic\_sheet 22



**IO\_CONNECTOR**  
1500-1599

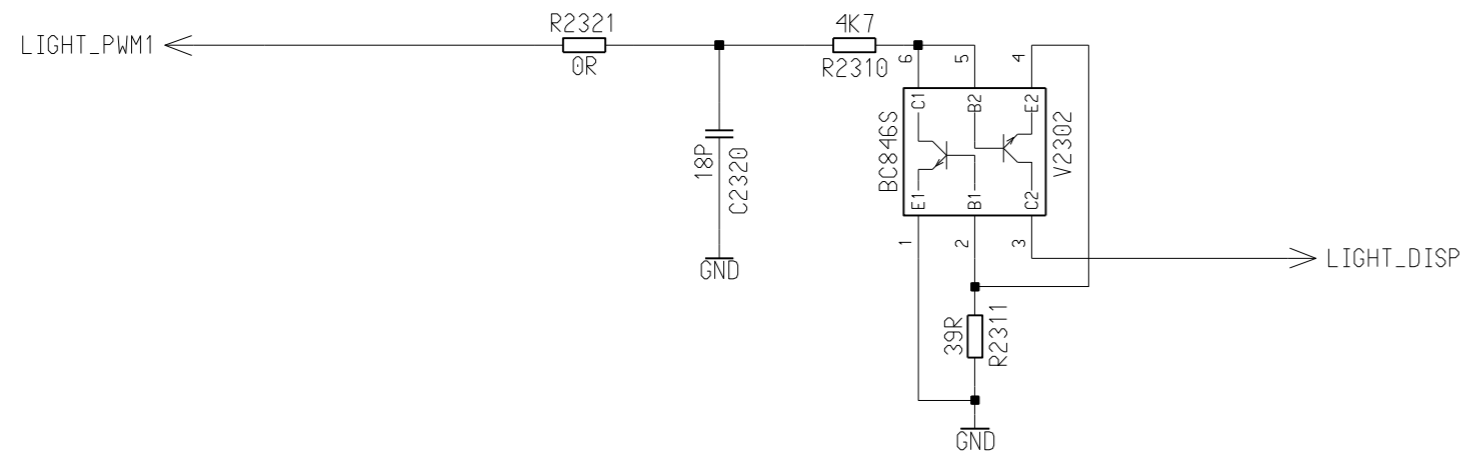


DATE	18.04.2005	C75-Aries_V1 B2 Layout TOP HIERARCHY LEVEL SCHEMATIC	1:1
USER	Jaeschke		
APPR'D			
COM MD HW 4 KLF		Siemens AG	160698
VERS.	26211		
CHANGE NUMBER		DATE	NAME

### 65-Platform\_schematic\_sheet23

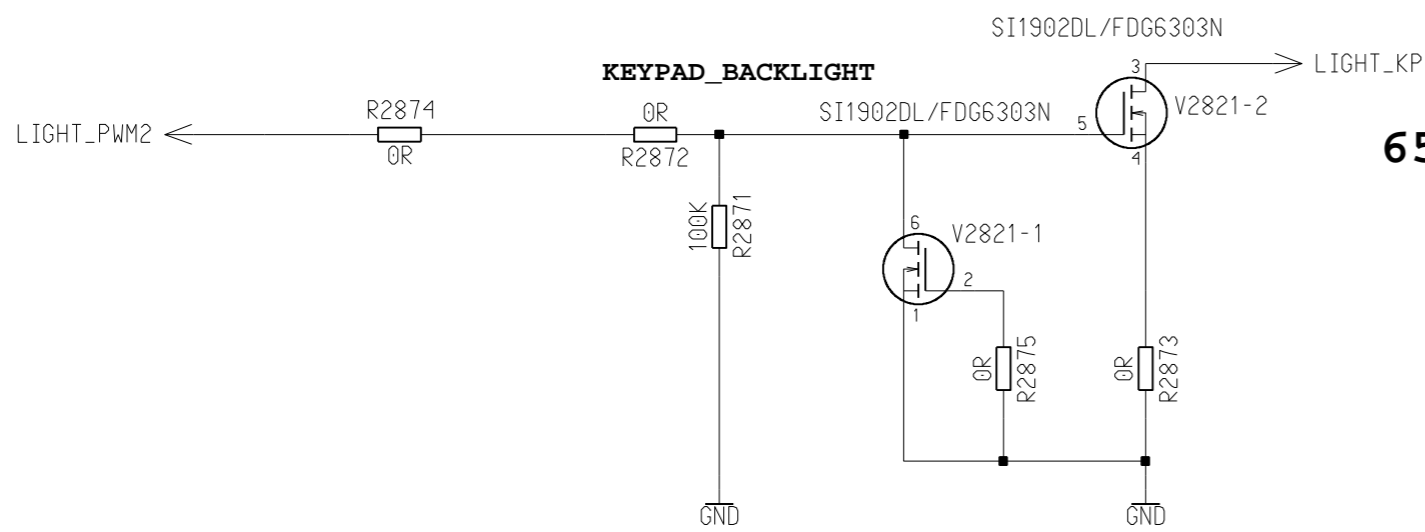
#### DISPLAY\_BACKLIGHT

2300-2399



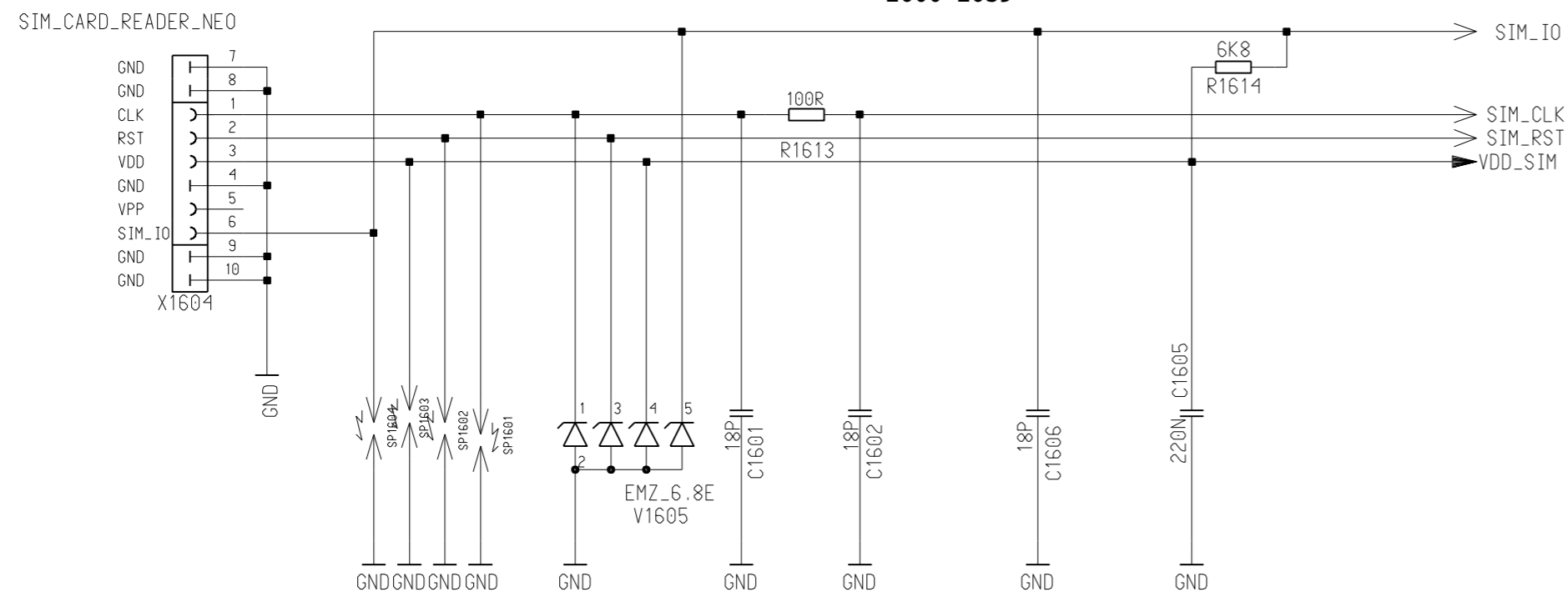
#### KEYPAD\_BACKLIGHT

### 65-Platform\_schematic\_sheet28



#### SIM\_INTERFACE

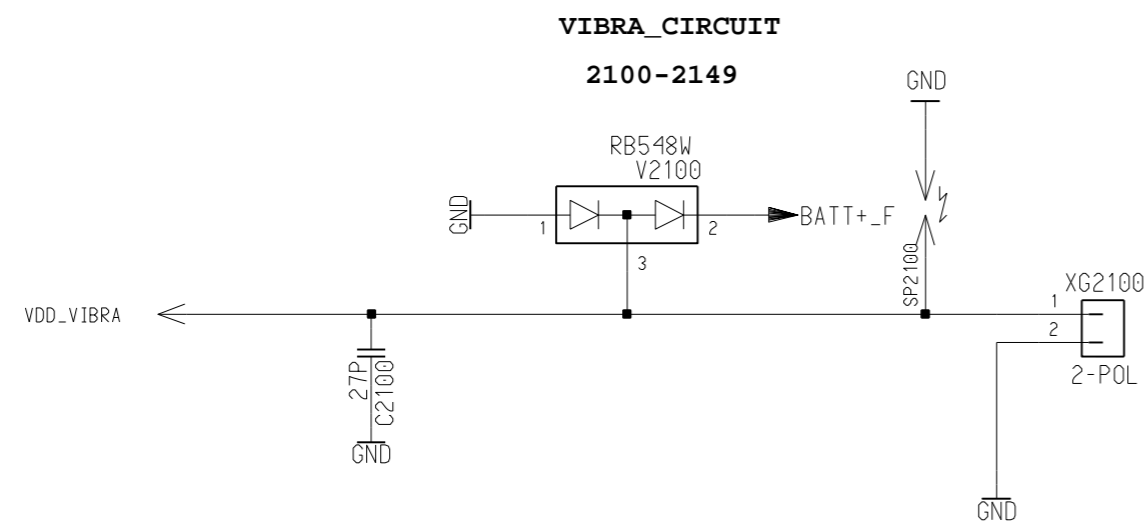
1600-1659



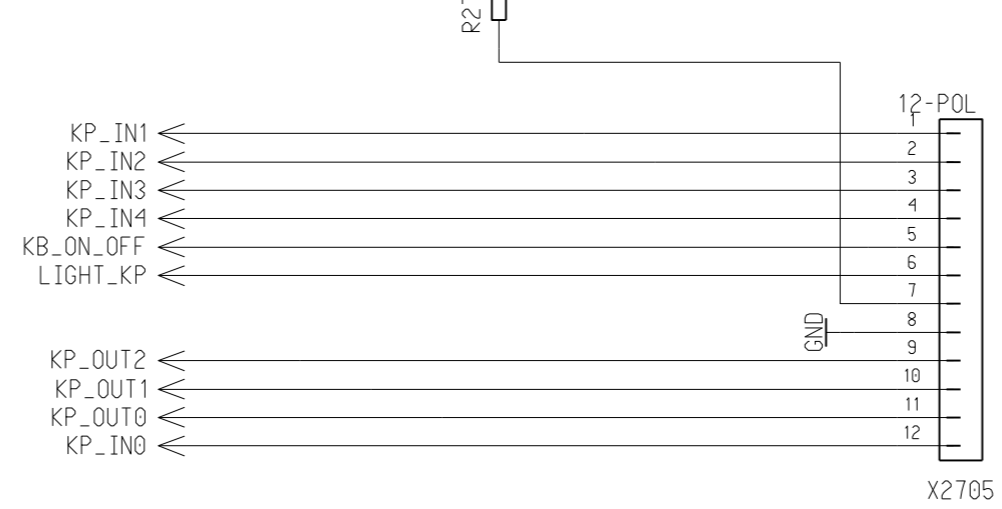
DATE	18.04.2005	C75-Aries_V1	
USER	Jaeschke	B2 Layout	
APPR'D		TOP HIERARCHY LEVEL	1:1
		COM MD HW 4 KLF	
		Siemens AG	
		160698	sheet16
1	26211	18.04.2005	Jae
VERS.	CHANGE NUMBER	DATE	NAME

( Created by BOM number: A5B00900184205-26211 )

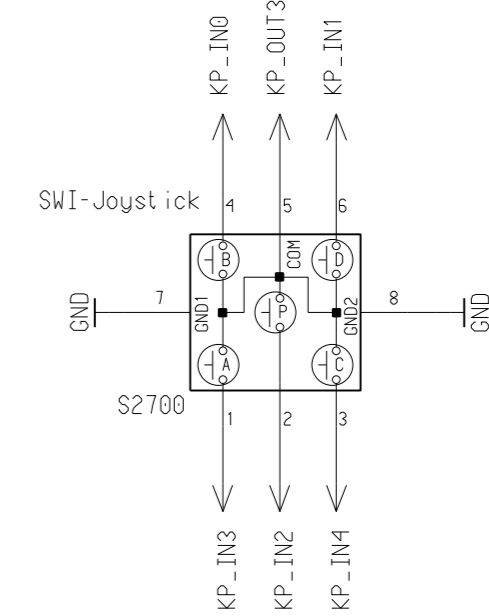
### 65-Platform\_schematic\_sheet21



### BOARD TO BOARD CONNECTOR MMI 2700-2799



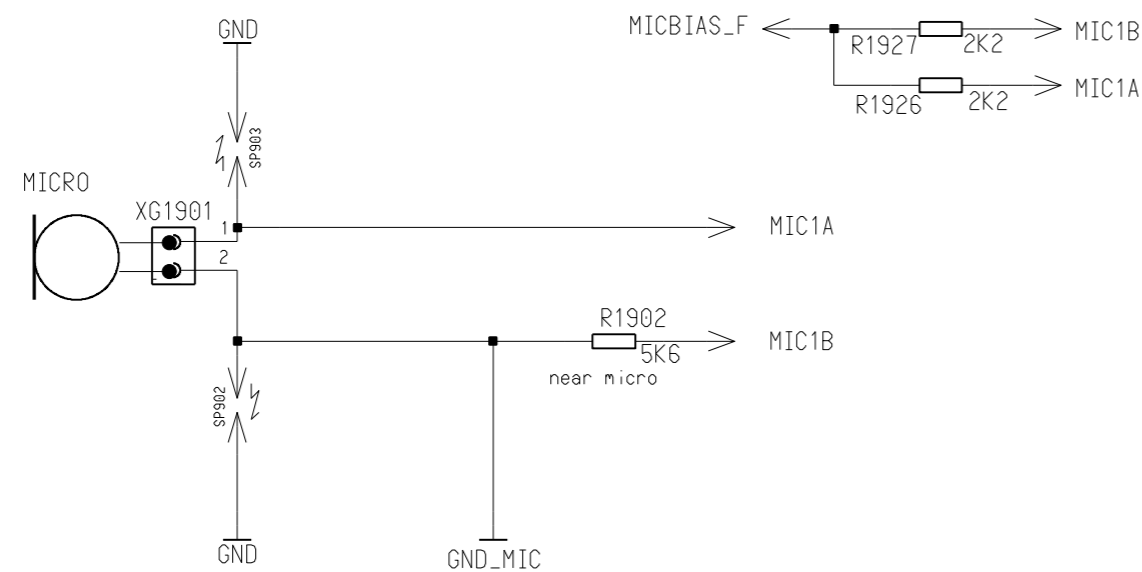
### JOYSTICK



### SAR\_GASKET

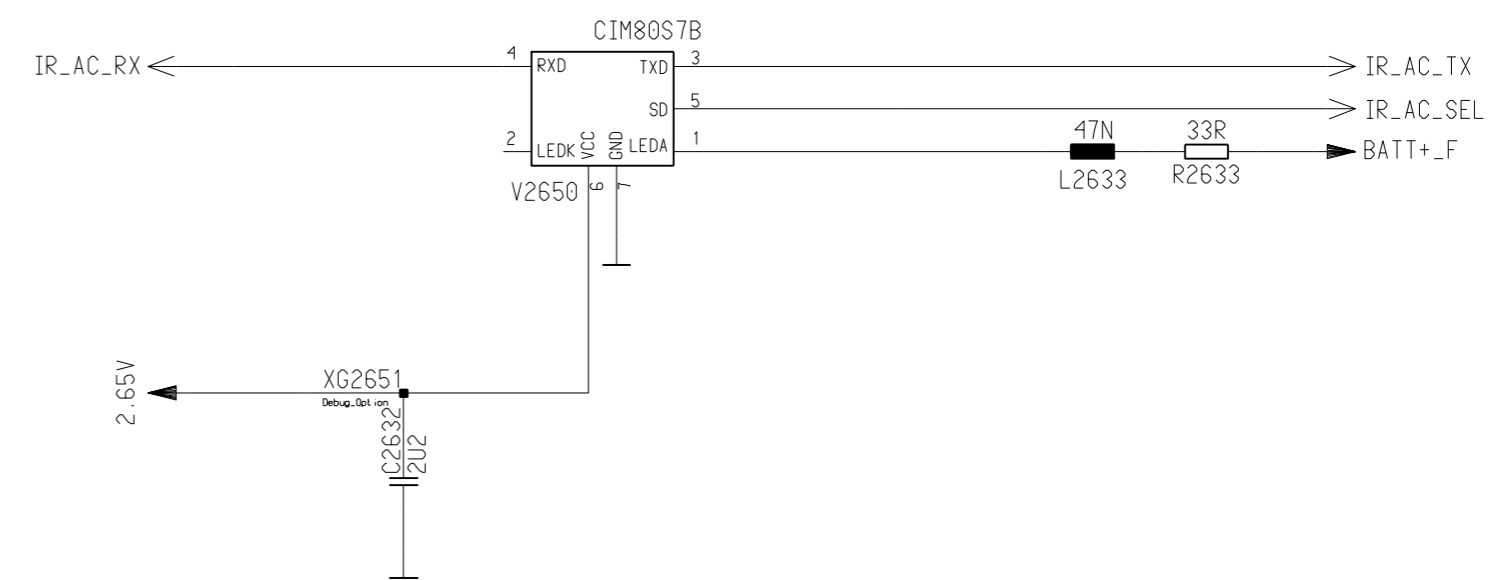
### 65-Platform\_schematic\_sheet19

#### MICROPHONE\_CIRCUIT\_1 1900-1999



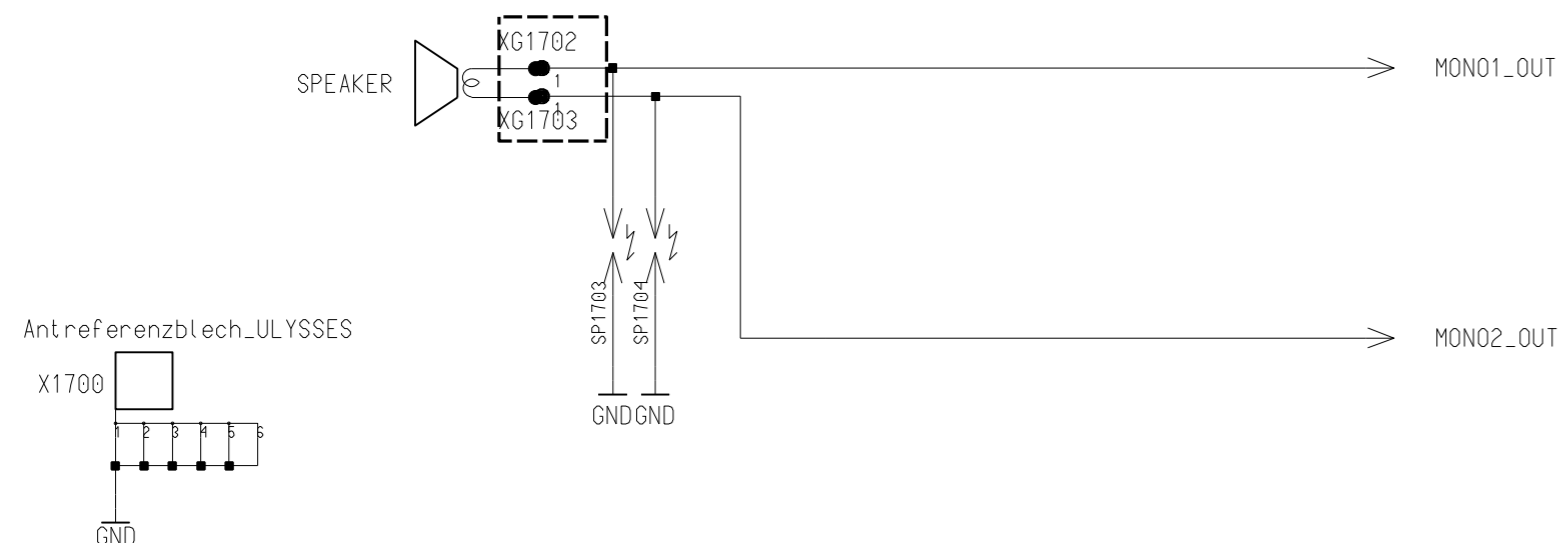
### 65-Platform\_schematic\_sheet27

#### IRDA 2650-2699



### 65-Platform\_schematic\_sheet17

#### SPEAKER\_SOLUTION\_1 1700-1749

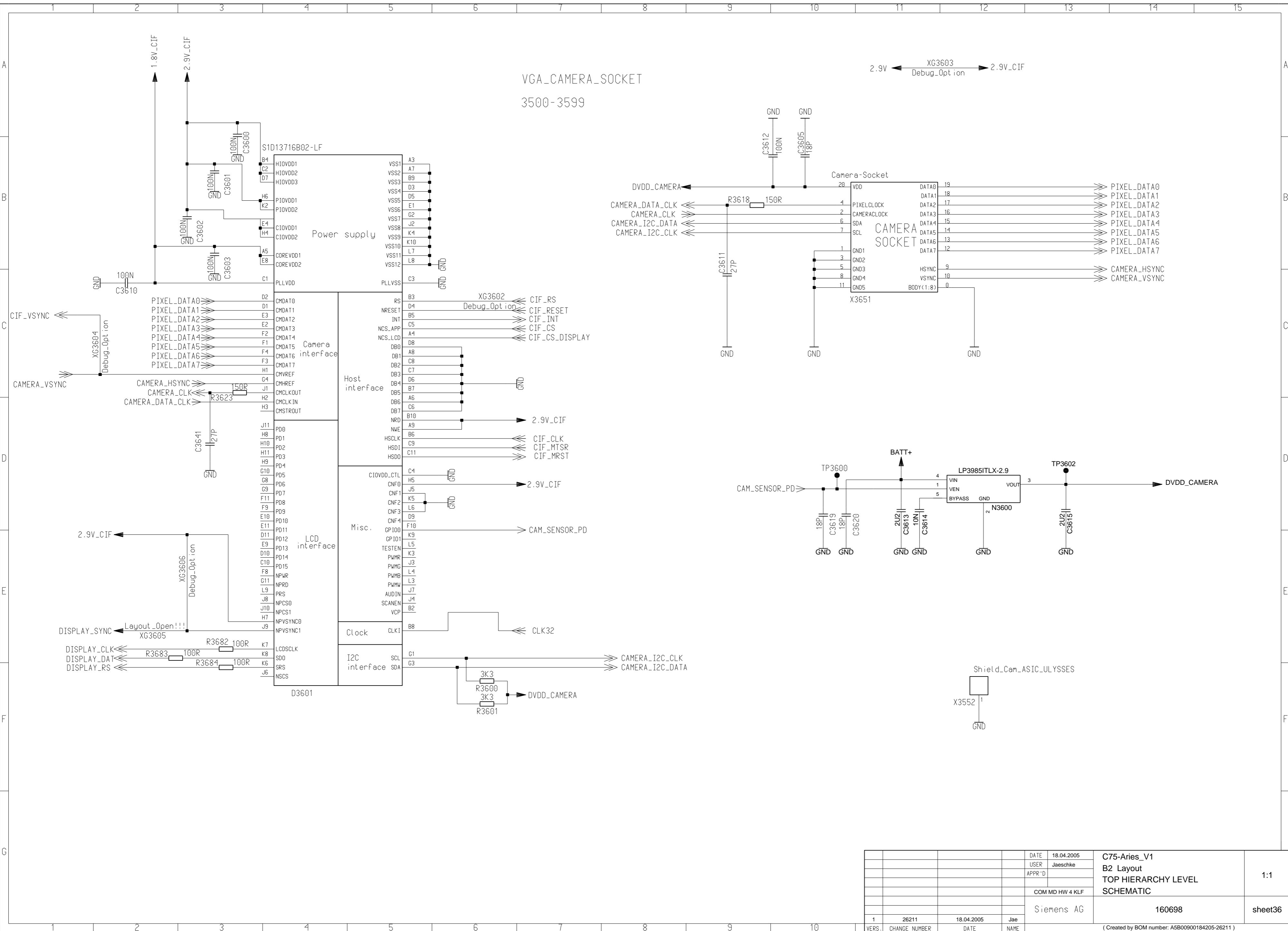


DATE	18.04.2005	C75-Aries_V1 B2 Layout TOP HIERARCHY LEVEL SCHEMATIC	1:1
USER	Jaeschke		
APPR'D			
COM MD HW 4 KLF		Siemens AG	sheet26
VERS.	1		
CHANGE NUMBER	26211		
DATE	18.04.2005		
NAME	Jae		

Proprietary data, Company confidential.  
all rights reserved

Als Betriebsgeheimnis anvertraut  
alle Rechte vorbehalten

### VGA\_CAMERA\_SOCKET 3500-3599

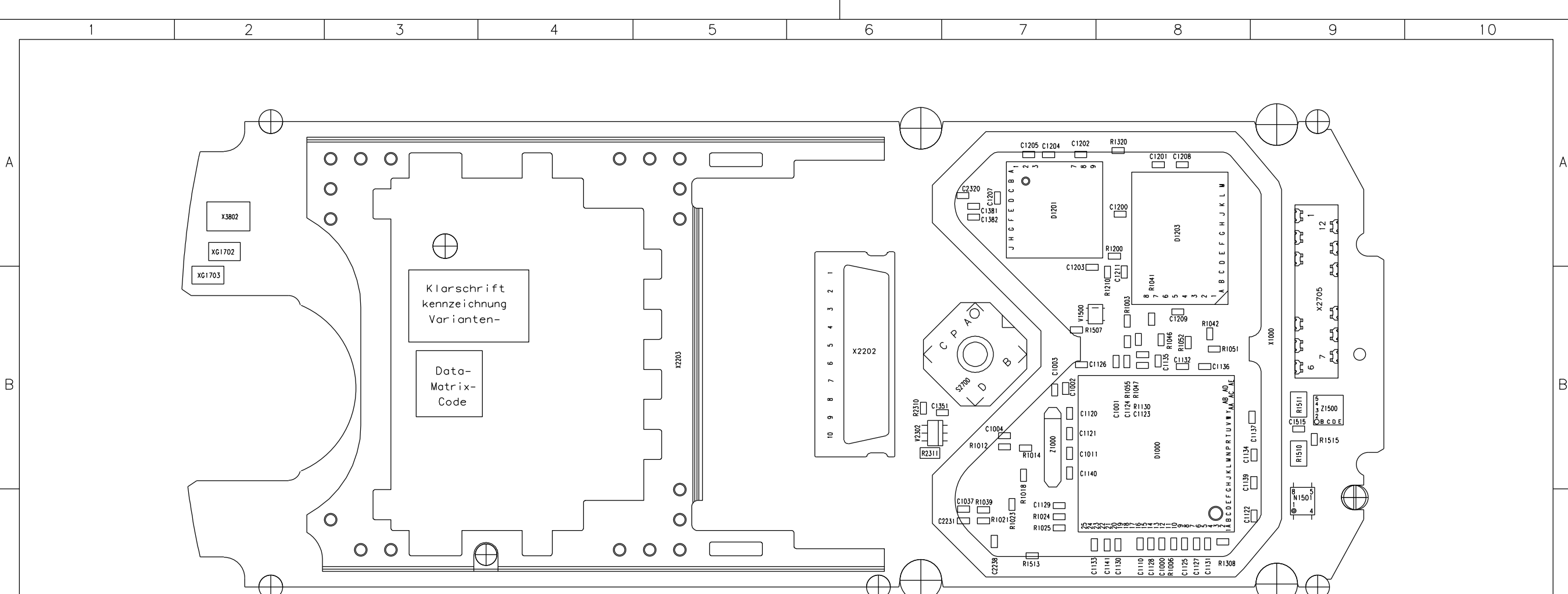


DATE	18.04.2005	C75-Aries_V1 B2 Layout TOP HIERARCHY LEVEL SCHEMATIC	1:1
USER	Jaeschke		
APPR'D			
COM MD HW 4 KLF		Siemens AG	160698
VERS.	1		
CHANGE NUMBER	26211	DATE	18.04.2005
		NAME	Jae

( Created by BOM number: A5B00900184205-26211 )

PROPRIETARY DATA, COMPANY CONFIDENTIAL  
ALL RIGHTS RESERVED

ALS BETRIEBSGEHEIMNIS ANVERTRAUT  
ALLE RECHTE VORBEHALTEN



C1000	8C	C2231	7C	X3802	2A
C1001	8B	C2238	7C	Z1000	7B
C1002	7B	C2320	7A	Z1500	9B
C1003	7B	D1000	8C		
C1004	7B	D1201	7A		
C1011	7B	D1203	8B		
C1037	7C	N1501	9C		
C1110	8C	R1003	8B		
C1120	7B	R1006	8C		
C1121	7B	R1012	7B		
C1122	9C	R1014	7B		
C1123	8B	R1018	7B		
C1124	8B	R1021	7C		
C1125	8C	R1023	7C		
C1126	7B	R1024	7C		
C1127	8C	R1025	7C		
C1128	8C	R1039	7C		
C1129	7C	R1041	8B		
C1130	8C	R1042	8B		
C1131	8C	R1046	8B		
C1132	8B	R1047	8B		
C1133	7C	R1051	8B		
C1134	9B	R1052	8B		
C1135	8B	R1055	8B		
C1136	8B	R1130	8B		
C1137	9B	R1200	8A		
C1139	9B	R1210	8A		
C1140	7B	R1308	8C		
C1141	8C	R1320	8A		
C1200	8A	R1507	7B		
C1201	8A	R1510	9B		
C1202	7A	R1511	9B		
C1203	8B	R1513	7C		
C1204	7A	R1515	9B		
C1205	7A	R2310	6B		
C1207	7A	R2311	6B		
C1208	8A	S2700	7B		
C1209	8B	V1500	7B		
C1211	8B	V2302	7B		
C1351	7B	X1000	8C		
C1381	7A	X2202	6B		
C1382	7A	X2203	2A		
C1515	9B	X2705	9A		

Achtung : Hoehenprofil C24\_...\_...\_42 (gilt nur fuer Entwicklung)  
Liefervarianten siehe : V24851-Z2000-A1-\*--35

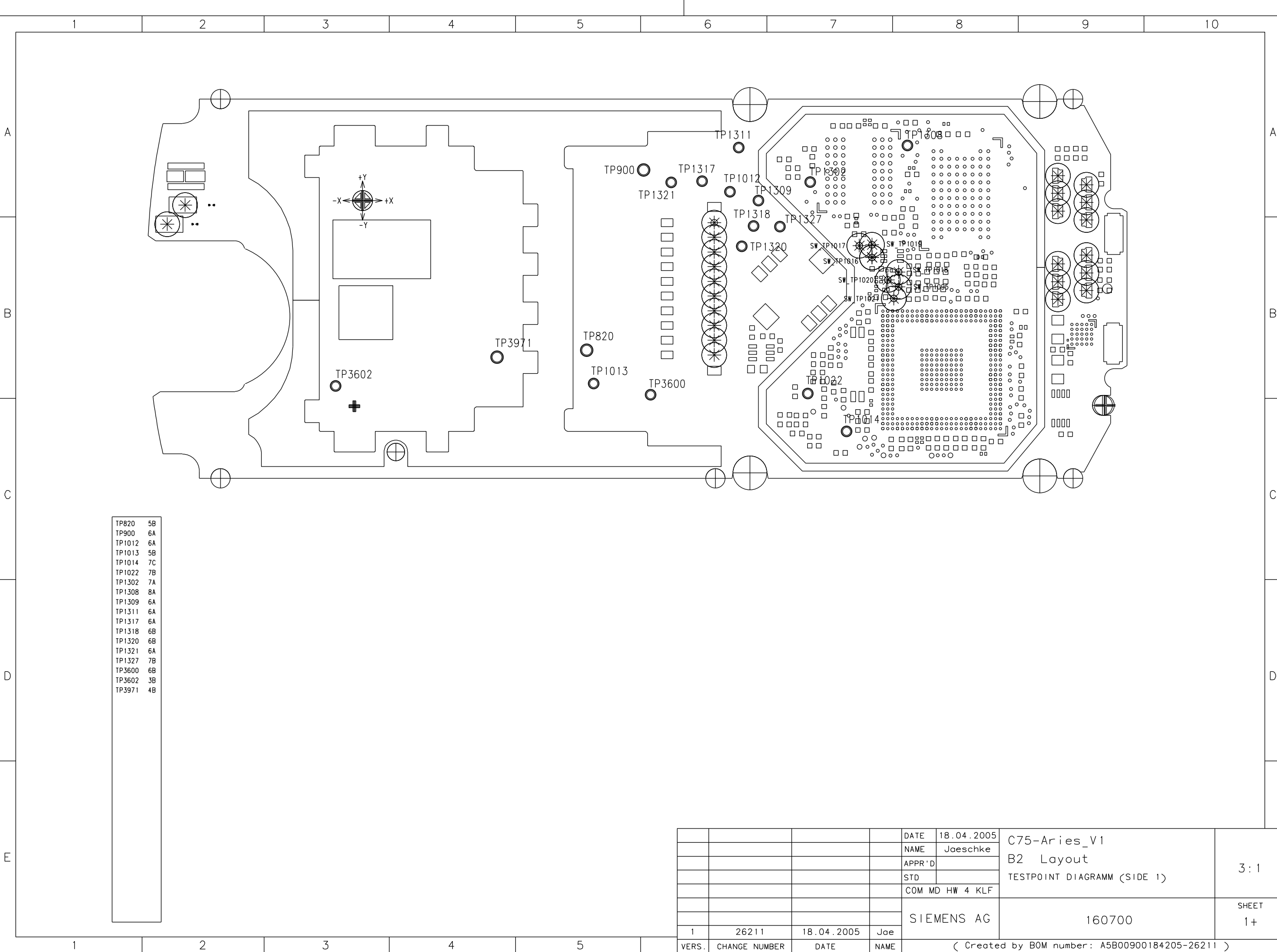
DATE	18.04.2005	C75-Aries_V1		3:1
NAME	Jaeschke	B2 Layout		
APPR'D		WIRING DIAGRAM (SOLDER SIDE 1)		
STD				
COM MD HW	4 KLF			
SIEMENS AG		160699		SHEET 1+
1	26211	18.04.2005	Jae	( Created by BOM number: A5B00900184205-26211 )
VERS.	CHANGE NUMBER	DATE	NAME	





PROPRIETARY DATA, COMPANY CONFIDENTIAL  
ALL RIGHTS RESERVED

ALS BETRIEBSGEHEIMNIS ANVERTRAUT  
ALLE RECHTE VORBEHALTEN



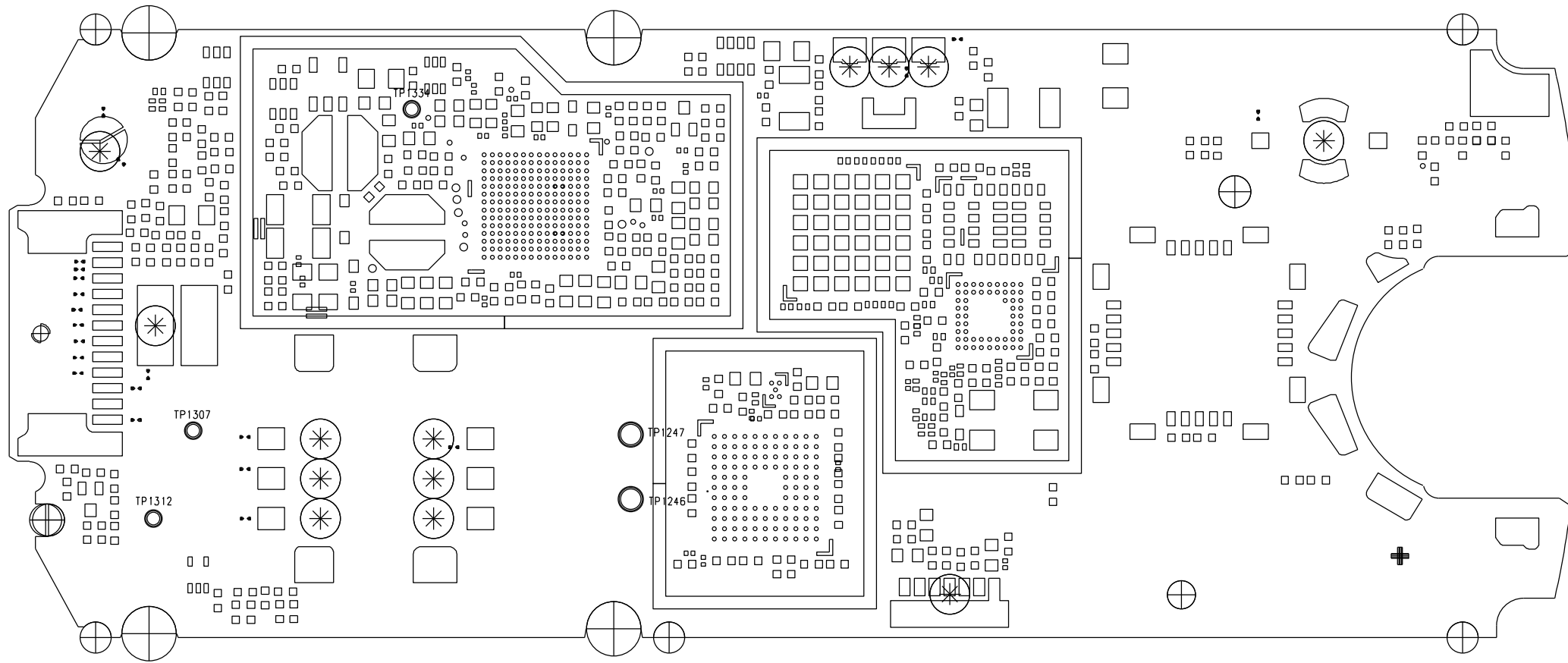
TP820	5B
TP900	6A
TP1012	6A
TP1013	5B
TP1014	7C
TP1022	7B
TP1302	7A
TP1308	8A
TP1309	6A
TP1311	6A
TP1317	6A
TP1318	6B
TP1320	6B
TP1321	6A
TP1327	7B
TP3600	6B
TP3602	3B
TP3971	4B

				DATE	18.04.2005	C75-Aries_V1 B2 Layout TESTPOINT DIAGRAMM (SIDE 1)	3:1
				NAME	Jaeschke		
				APPR'D			
				STD			
				COM MD HW 4 KLF			
				SIEMENS AG		160700	SHEET 1+
1	26211	18.04.2005	Joe	( Created by BOM number: A5B00900184205-26211 )			
VERS.	CHANGE NUMBER	DATE	NAME				

PROPRIETARY DATA, COMPANY CONFIDENTIAL  
ALL RIGHTS RESERVED

ALS BETRIEBSGEHEIMNIS ANVERTRAUT  
ALLE RECHTE VORBEHALTEN

TP1246 5C  
TP1247 5B  
TP1307 3B  
TP1312 2C  
TP1334 4A



				DATE	18.04.2005	C75-Aries_V1 B2 Layout TESTPOINT DIAGRAMM (SIDE 2)	3:1
				NAME	Jaeschke		
				APPR'D			
				STD			
				COM MD HW 4 KLF			
				SIEMENS AG		160700	SHEET 2-
1	26211	18.04.2005	Joe				
VERS.	CHANGE NUMBER	DATE	NAME	( Created by BOM number: A5B00900184205-26211 )			