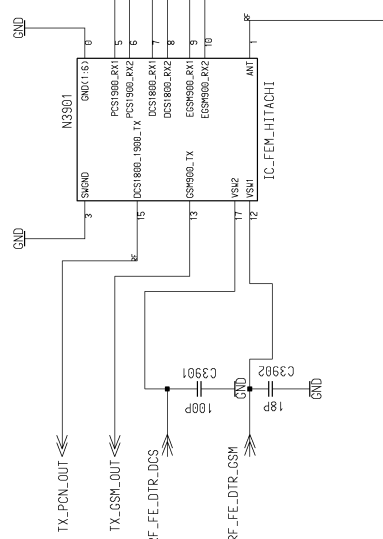


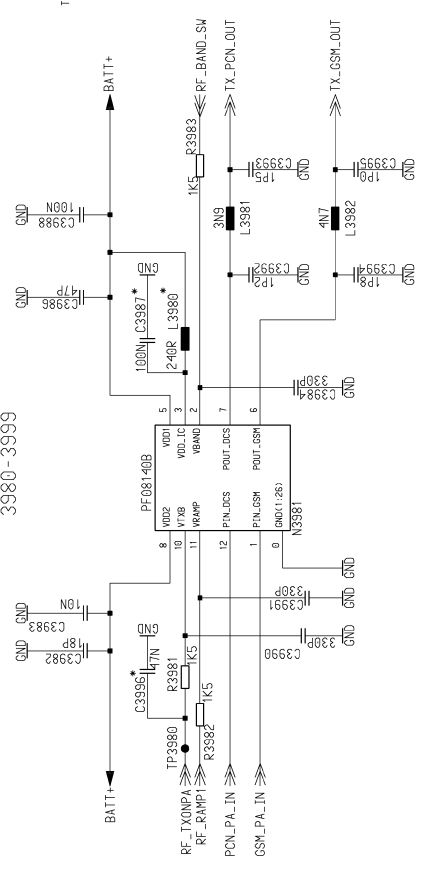
RF_HITACHI_BRIGHT
3900-3999

TP2919

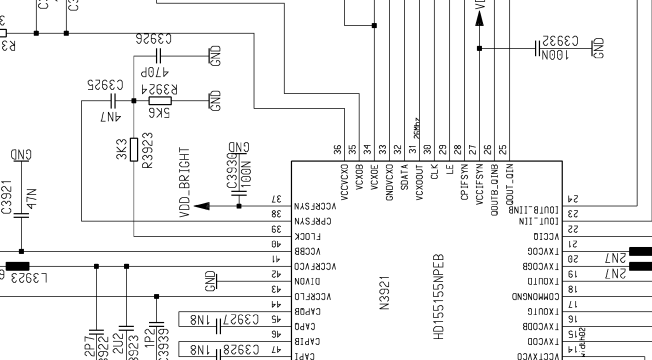
3900-3919



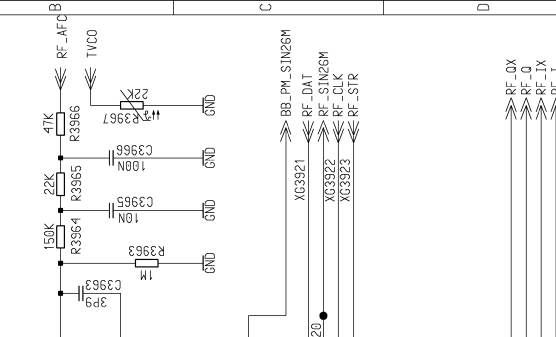
3980-3999



3920-3959



3960-3969



* Funct: ongroup Power Supply

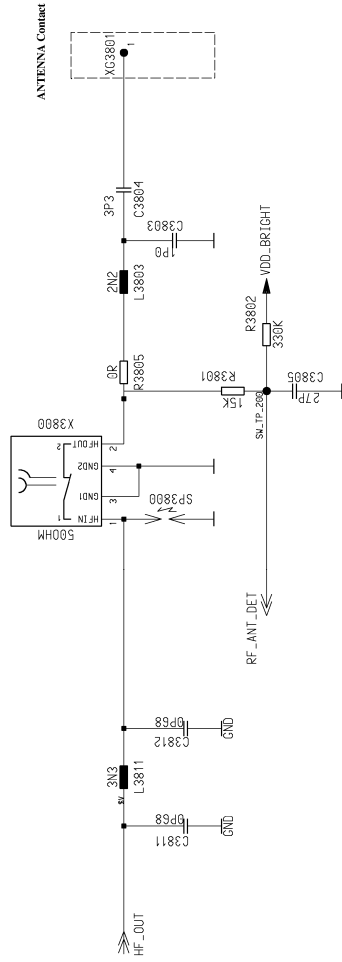
Confidential
Copyright © Siemens AG

DATE	20.03.2003	R65-Ulyesses V1
USER	Mark	B2 Layout HIT
APP'D		TOP HIERARCHY LEVEL
MP UC RD Ed Um		SCHEMATIC
VERS	1	CHANGE NUMBER
DATE	16.01.2004	Me
	22.12.2003	Vol
		NAME
		Siemens AG
		43212
		(Created by BDM number: A5B090002171514660)
		sheet

DME-SHIELDING-RF-MAGURO

X3901

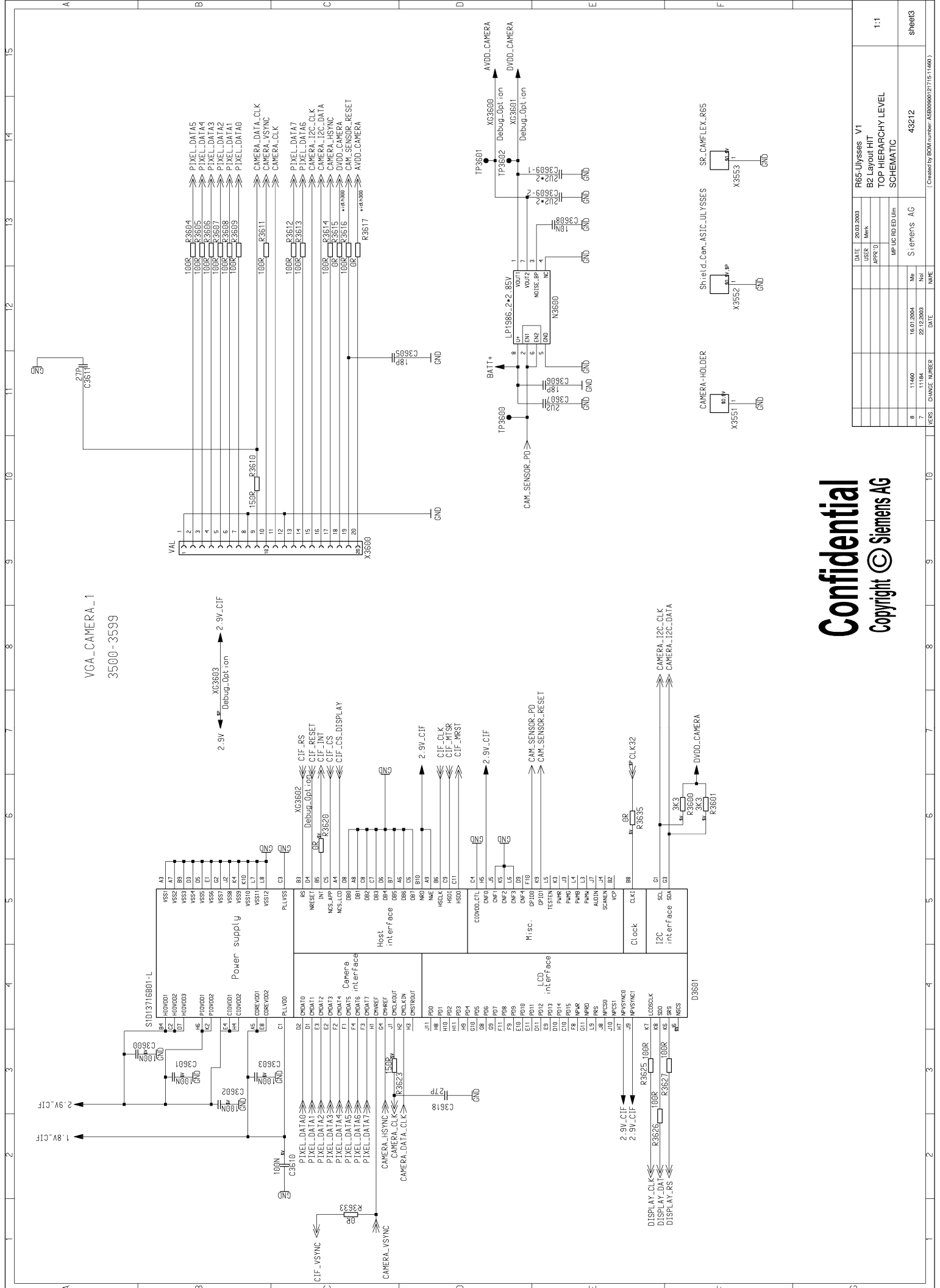
ANTENNA_CIRCUIT
3800-3849



Confidential
Copyright © Siemens AG

DATE	20.03.2003	R65-Ulysses V1
USER	Mark	B2 Layout HIT
APP'D		TOP HIERARCHY LEVEL
MP UC RD ED Um		SCHEMATIC
Siemens AG	43212	sheet2
VERS. CHANGE NUMBER	8	1:1
Me	16.01.2004	
Vol	22.12.2003	
NAME	1:1490	
	11494	
	DATE	

(Created by BOM number: ASB090021715:1490)



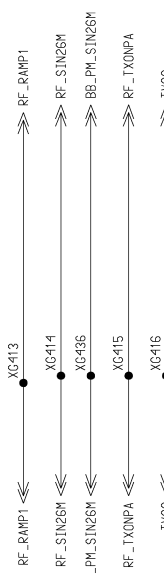
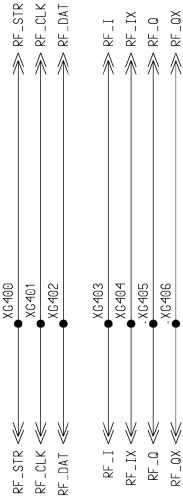
VGA_CAMERA_1
3500-3599

Confidential
Copyright © Siemens AG

DATE	20.03.2003	USER	Mark	APP'D		MP UC RD ED Um	Siemens AG	43212	43212	1:1	sheet3
R65-Ulysses V1											
B2 Layout HIT											
TOP HIERARCHY LEVEL											
SCHEMATIC											
VERS.	1	CHANGE NUMBER									
DATE	16.01.2004	USER	Mark	APP'D		MP UC RD ED Um	Siemens AG	43212	43212	1:1	sheet3
DATE	22.12.2003	USER	Mark	APP'D		MP UC RD ED Um	Siemens AG	43212	43212	1:1	sheet3

HIT_POINTS LOGIK/HF_PART_1

400-449



TRANSMITTER ENABLE SIGNAL
 TRANSMITTER CLOCK SIGNAL
 TRANSMITTER DATA SIGNAL

----- Bidirectional analogue RX/TX modulated signal
 ----- Baseband signals

----- Reference frequency correction

DCSTX enable Asic for Hitachisolution
 GSMTX enable Asic for Hitachisolution

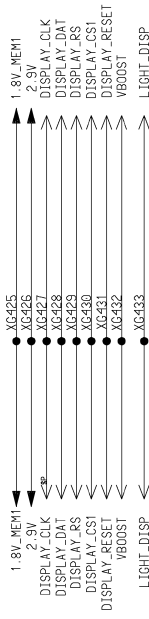
----- analogue power amplifier ramping signal
 26 Mhz reference frequency
 Second 26 Mhz reference frequency
 Power up of power controller
 Temperature sensor X-tal

DETECTION internal/external Antenna

programmed voltage 1

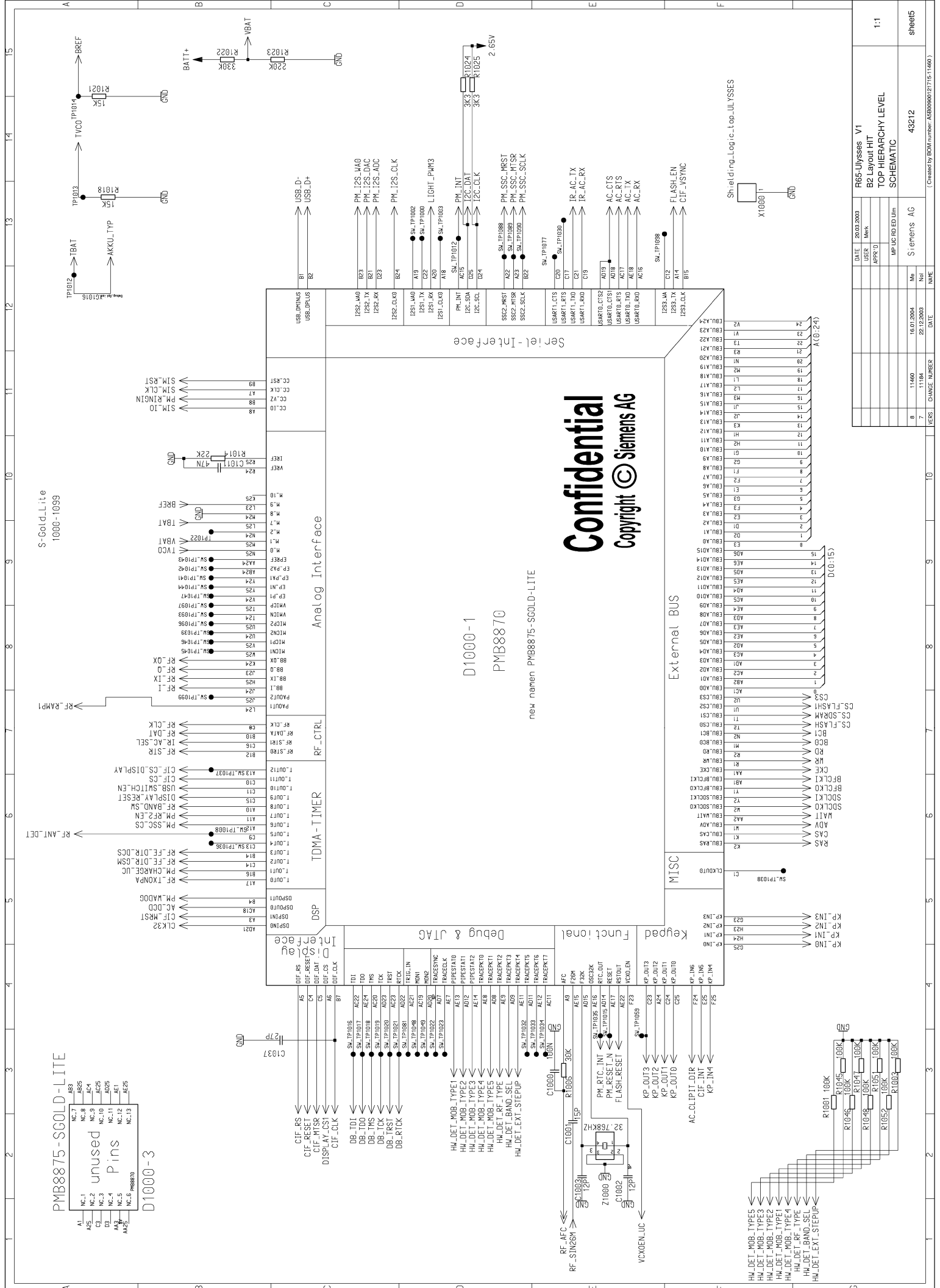
programmed voltage 2

switched LOW- / HIGH-band



SAR_GND_PAD

DATE	20.03.2003	R65-Ulysses V1
USER	Mark	B2 Layout HIT
APP'D		TOP HIERARCHY LEVEL
MP UC RD Ed. Um.		SCHEMATIC
Siemens AG	43212	
No	11490	
Rev	16.01.2004	
DATE	22.12.2003	
VERS. CHANGE NUMBER		
		sheet4

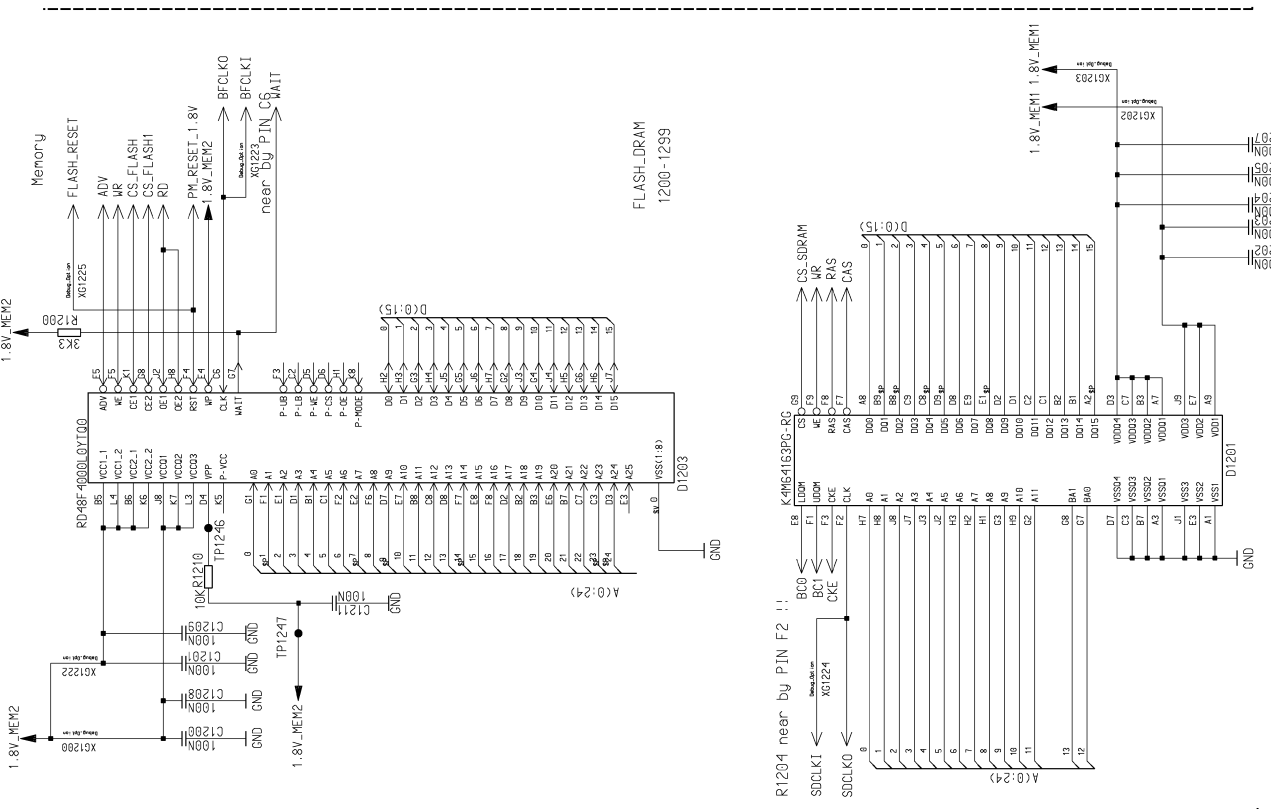
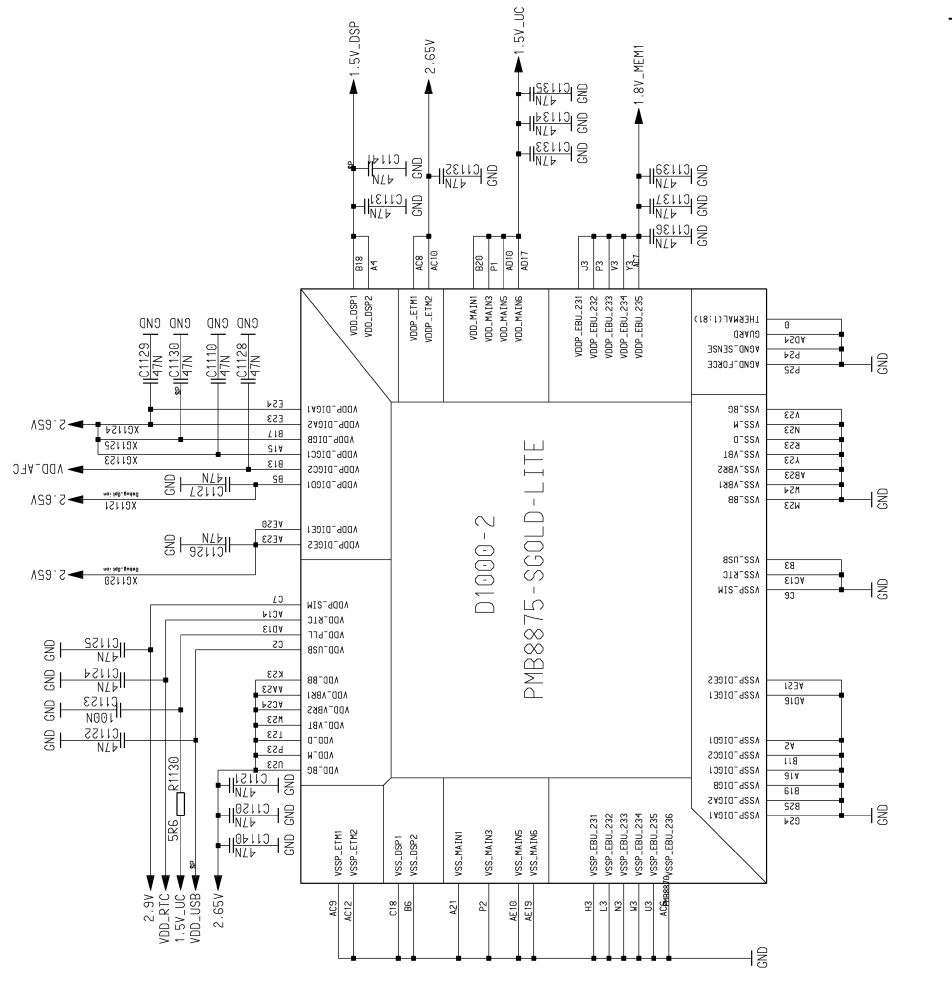


Confidential
 Copyright © Siemens AG

D1000-1
 PMB8870
 new name: PMB8875-SCOLD-LITE

DATE	2003.09.03	R65-Ulysses V1
USER	Mark	B2 Layout HIT
APP'D		TOP HIERARCHY LEVEL
MP UC RD ED Um		SCHEMATIC
Me	1.1460	Siemens AG
Me	16.01.2004	43212
DATE	22.12.2003	
VERS.	CHANGE NUMBER	
1:1		sheets

(Continued by BDM number: A5809000271511460)



Confidential
Copyright © Siemens AG

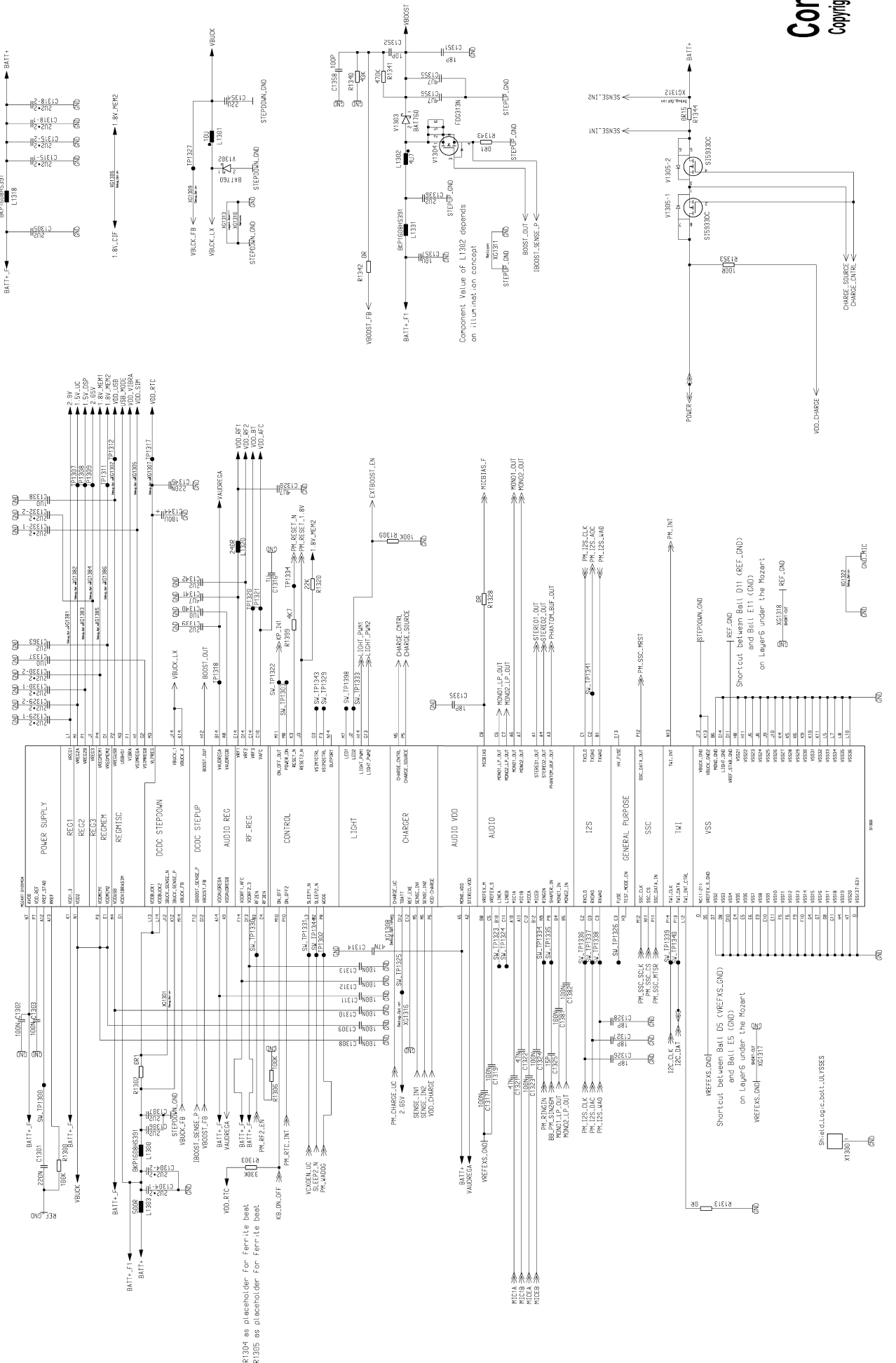
R65-Ulysses V1
B2 Layout HIT
TOP HIERARCHY LEVEL
SCHEMATIC

DATE	20.02.2003
USER	
APP'D	
MP UIC RD ED Uim	
VERS.	1
CHANGE NUMBER	
NAME	Siemens AG
DATE	16.01.2004
VERS.	8
CHANGE NUMBER	11460
NAME	

43212
sheet6

Alle Rechte vorbehalten
SAP-Ident: 43212 / BDM / 000 / 08 Created/Changed: NOLTE , 2004-01-12

Mozart
1300-1399



Keep R1304 as placeholder for ferrite bead
Keep R1305 as placeholder for ferrite bead

Component Value of L1302 depends on illumination concept

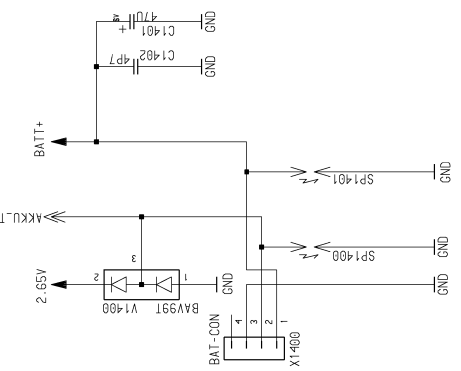
Shortcircuit between Ball 011 (REF_GND) and Ball E11 (GND) on Layers under the Mozart

Shortcircuit between Ball D5 (VREFS_GND) and Ball E5 (GND) on Layers under the Mozart

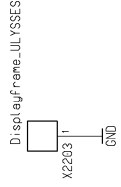
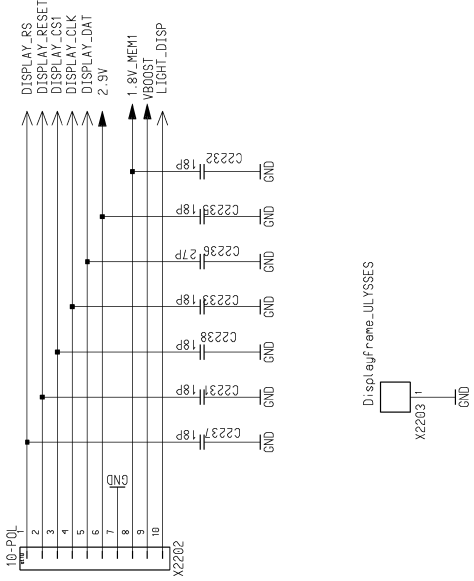
Shield Log G.Batt - J11_VSS

DATE	DESCRIPTION	BY	APP'D
2003.03.09	1300-1399
2003.03.10
2003.03.10
2003.03.10
2003.03.10
2003.03.10
2003.03.10
2003.03.10
2003.03.10
2003.03.10

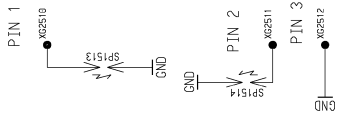
BATTERY CONNECTOR
1400-1449



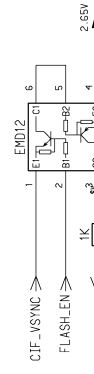
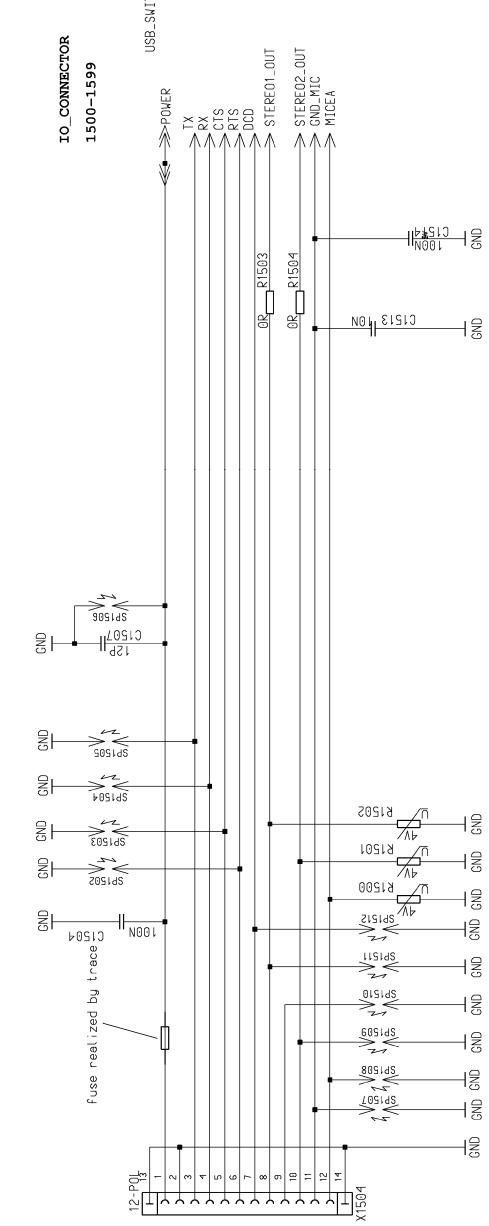
Logic/Display_Interface
2200-2299



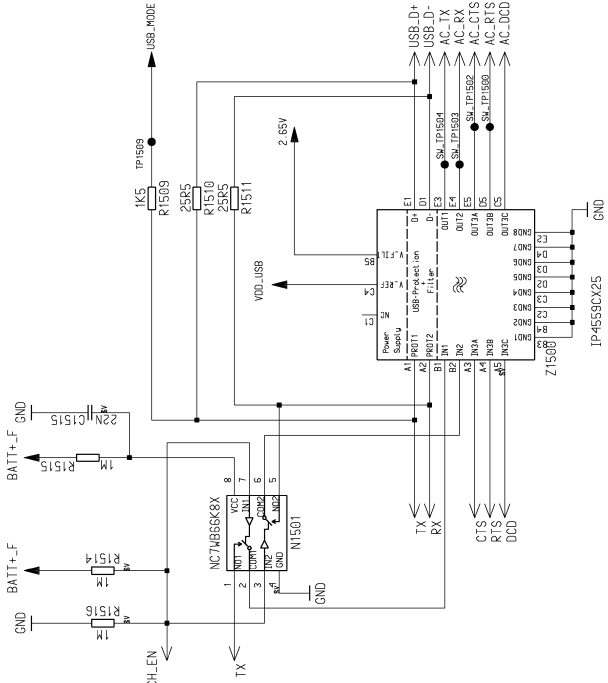
Clipit Pads
2500-2549



IO_CONNECTOR
1500-1599



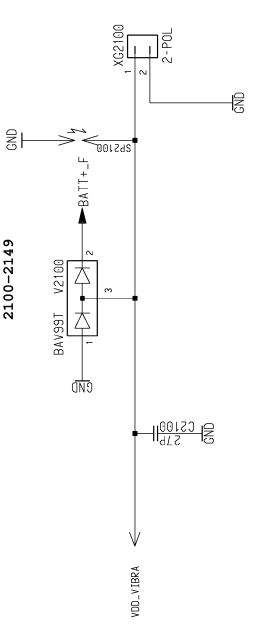
Confidential
Copyright © Siemens AG



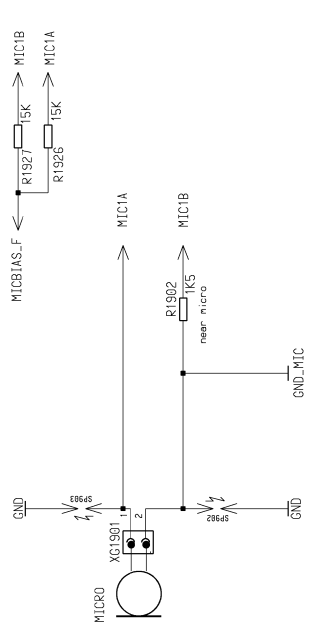
DATE	20.03.2003	R65-Ulyesses V1	
USER	Mark	B2 Layout HIT	
APP'D		TOP HIERARCHY LEVEL	
MP UC RD ED Um		SCHEMATIC	
8	1:1490	Me	43212
9	1:1194	Vol	
7	22.12.2003	DATE	
6		VERS. CHANGE NUMBER	
5		DATE	
4		NAME	
3		FILE	
2		NO	
1		DATE	

sheet8
43212
Siemens AG
1:1
(Created by BDM number: A5B09002715-1460)

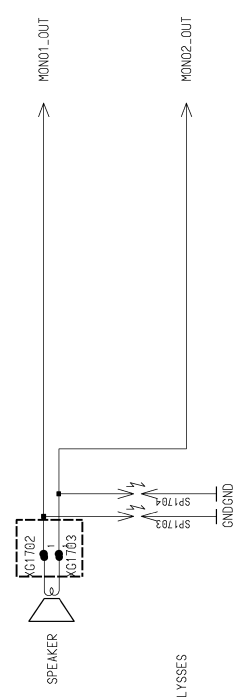
VIBRA_CIRCUIT
2100-2149



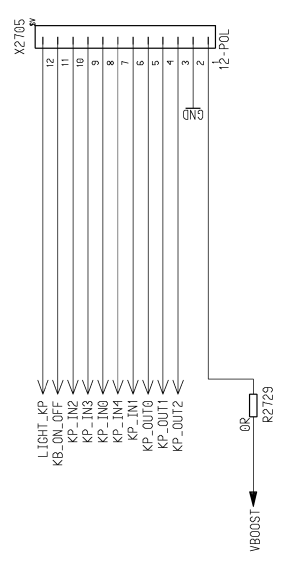
MICROPHONE_CIRCUIT_1
1900-1999



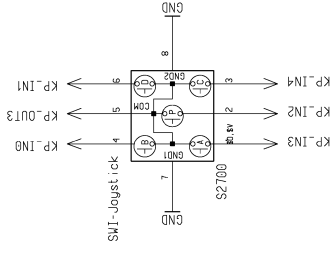
SPEAKER_SOLUTION_1
1700-1749



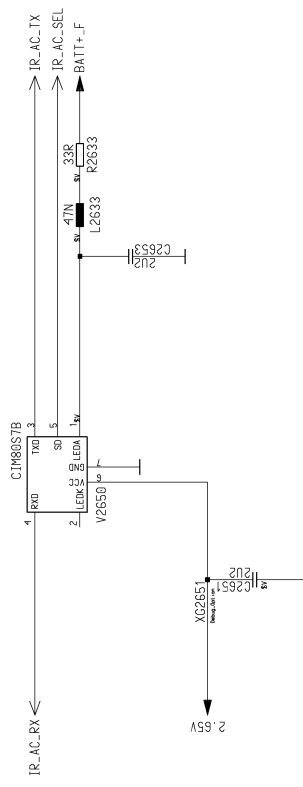
BOARD TO BOARD CONNECTOR MMI
2700-2799



JOYSTICK



IRDA
2650-2699

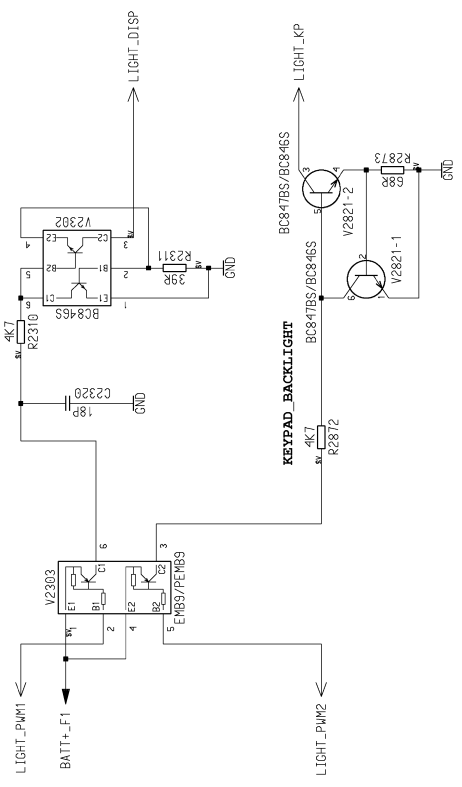


Confidential
Copyright © Siemens AG

DATE	20.03.2003	R65-Ulysses V1
USER	Mark	B2 Layout HIT
APP'D		TOP HIERARCHY LEVEL
MP UC RD Ed Um		SCHEMATIC
VERS.	CHANGE NUMBER	DATE
8	1:1490	16.01.2004
9	1:1194	22.12.2003
10		
11		
12		
13		
14		
15		

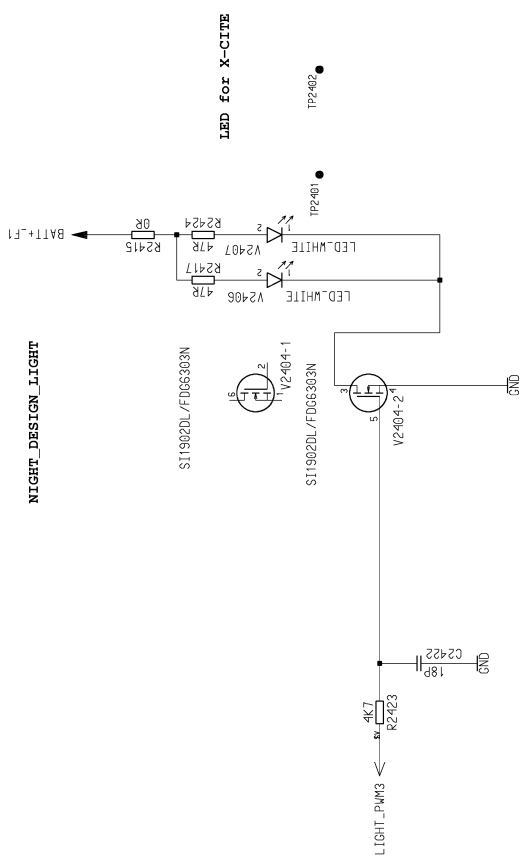
DISPLAY_BACKLIGHT

2300-2399

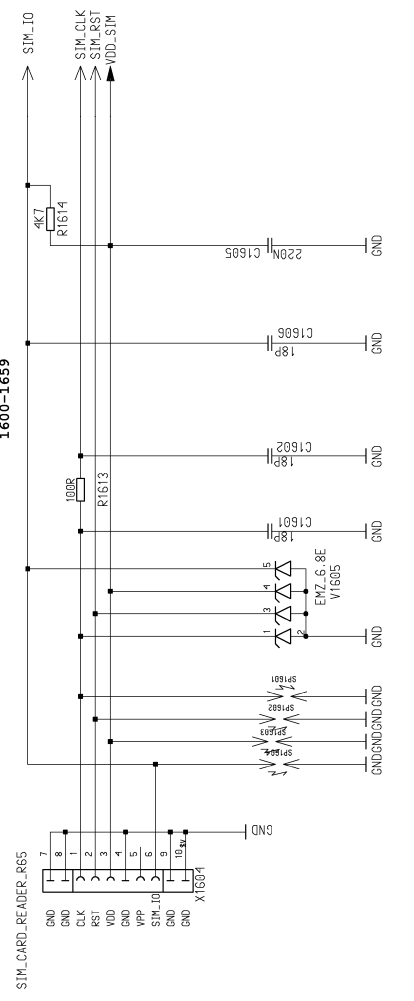


NIGHT_DESIGN_LIGHT

LED for X-CITE

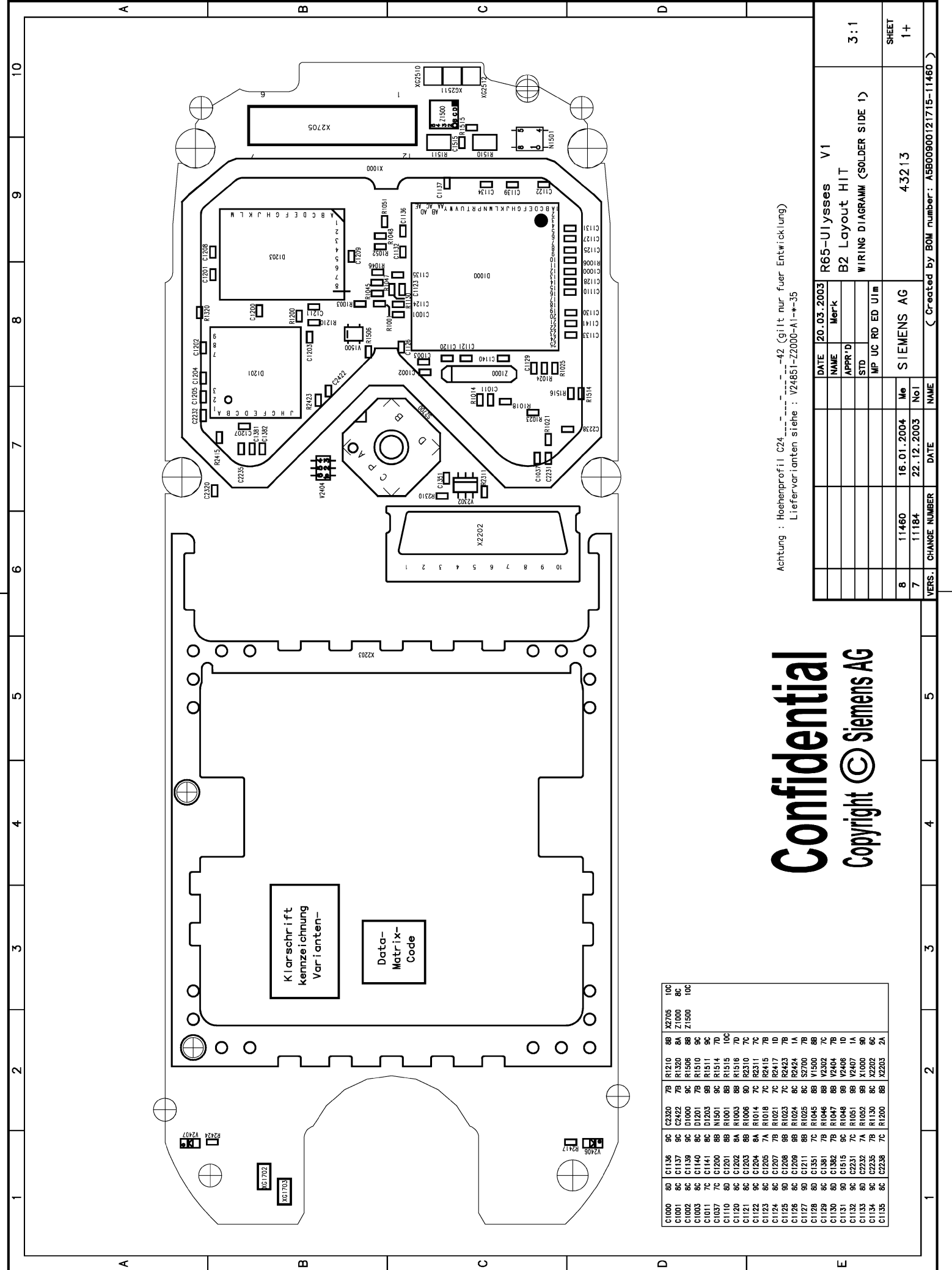


SIM_INTERFACE
1600-1659



Confidential
 Copyright © Siemens AG

DATE	20.03.2003	R65-Ulysses V1
USER	Mark	B2 Layout HIT
APP'D		TOP HIERARCHY LEVEL
MP UC RD ED Um		SCHEMATIC
Siemens AG	43212	sheet10
Me	16.01.2004	
Real	22.12.2003	
NAME	DATE	
VERS.	CHANGE NUMBER	
8	1-1600	
7	1-1104	
6		
5		
4		
3		
2		
1		

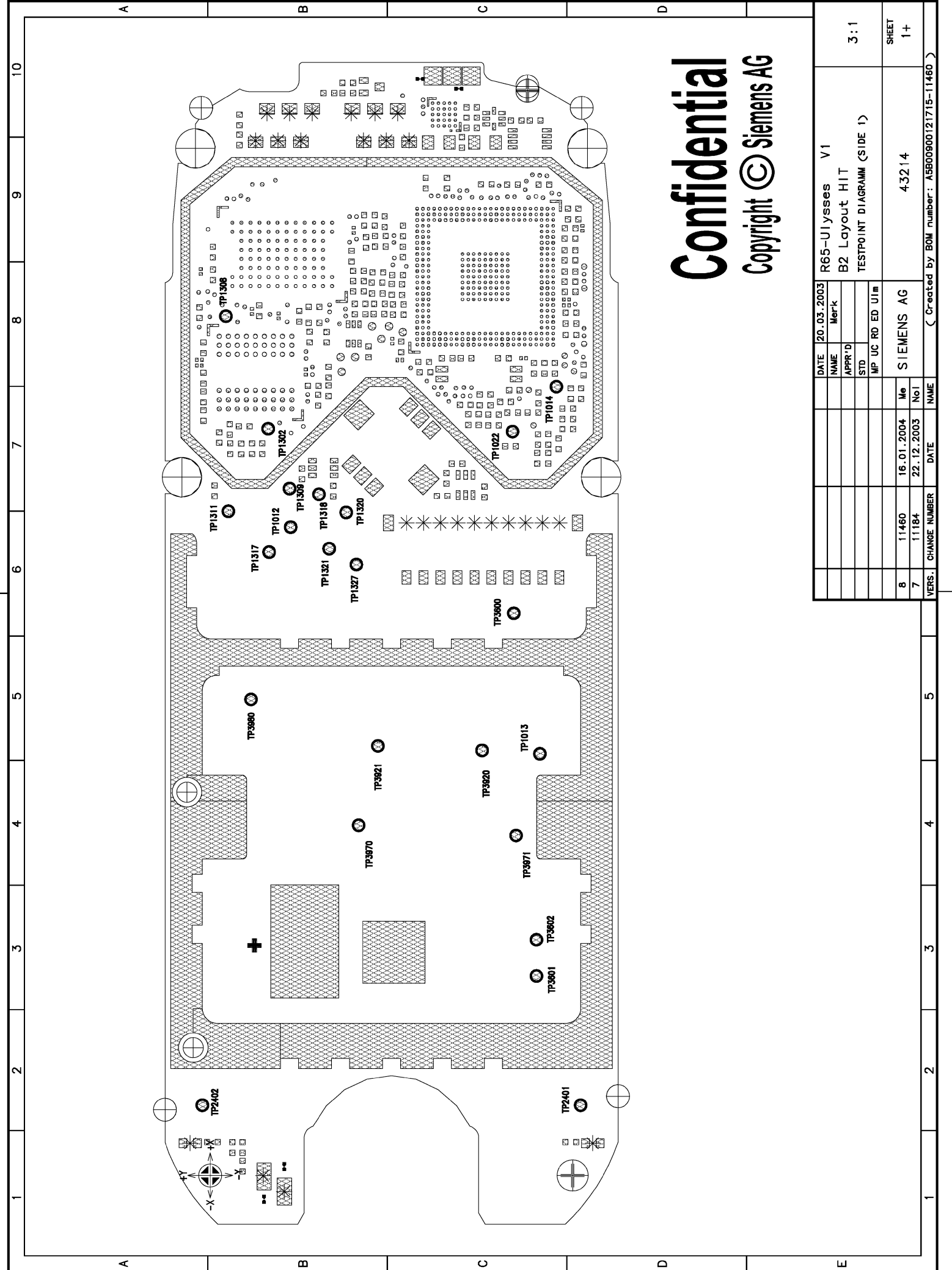


Confidential
 Copyright © Siemens AG

Achtung : Höhenprofil C24-----42 (gilt nur fuer Entwicklung)
 Liefervarianten siehe : V2485I-Z2000-AI-4-35

C1000	8D	C1136	9C	C2320	7B	R1210	8B	X2705	10C
C1001	8C	C1137	9C	C2422	7B	R1320	8A	Z1000	8C
C1002	8C	C1139	9C	Q1000	9C	R1506	8B	Z1500	10C
C1003	8C	C1140	9C	Q1201	7B	R1510	9C		
C1011	7C	C1141	8C	Q1203	8B	R1511	9C		
C1037	7C	C1200	8B	N1501	9C	R1514	7D	10C	
C1110	8D	C1201	8B	R1001	8B	R1515	10C		
C1120	8C	C1202	8B	R1003	8B	R1516	7D		
C1121	8C	C1203	8B	R1006	8D	R2310	7C		
C1122	9C	C1204	8A	R1014	7C	R2311	7C		
C1123	8C	C1205	7A	R1018	7C	R2415	7B		
C1124	8C	C1207	7B	R1021	7C	R2417	ID		
C1125	9D	C1208	8B	R1023	7C	R2423	7B		
C1126	8C	C1209	8B	R1024	8C	R2424	1A		
C1127	9D	C1211	8B	R1025	8C	S2700	7B		
C1128	8C	C1351	7C	R1045	8B	V1500	8B		
C1129	8C	C1381	7B	R1046	8B	V2302	7C		
C1130	8D	C1382	7B	R1047	8B	V2404	7B		
C1131	9D	C1515	9C	R1048	8B	V406	ID		
C1132	9C	C2231	7C	R1051	8B	V407	1A		
C1133	8D	C2232	7A	R1052	8B	X1000	9D		
C1134	9C	C2235	7B	R1130	8C	X2202	8C		
C1135	8C	C2238	7C	R1200	8B	X2203	2A		

DATE	20.03.2003	R65-Ulysses V1	
NAME	Merck	B2 Layout HIT	
APPR/D		WIRING DIAGRAM (SOLDER SIDE 1)	
STD			
IMP UC RD ED UIm			
8	11460	16.01.2004	Me
7	11184	22.12.2003	No1
VERS. CHANGE NUMBER		DATE	NAME
			SIEMENS AG
			43213
			3:1
			SHEET
			1+
(Created by BOM number: A5B00900121715-11460)			

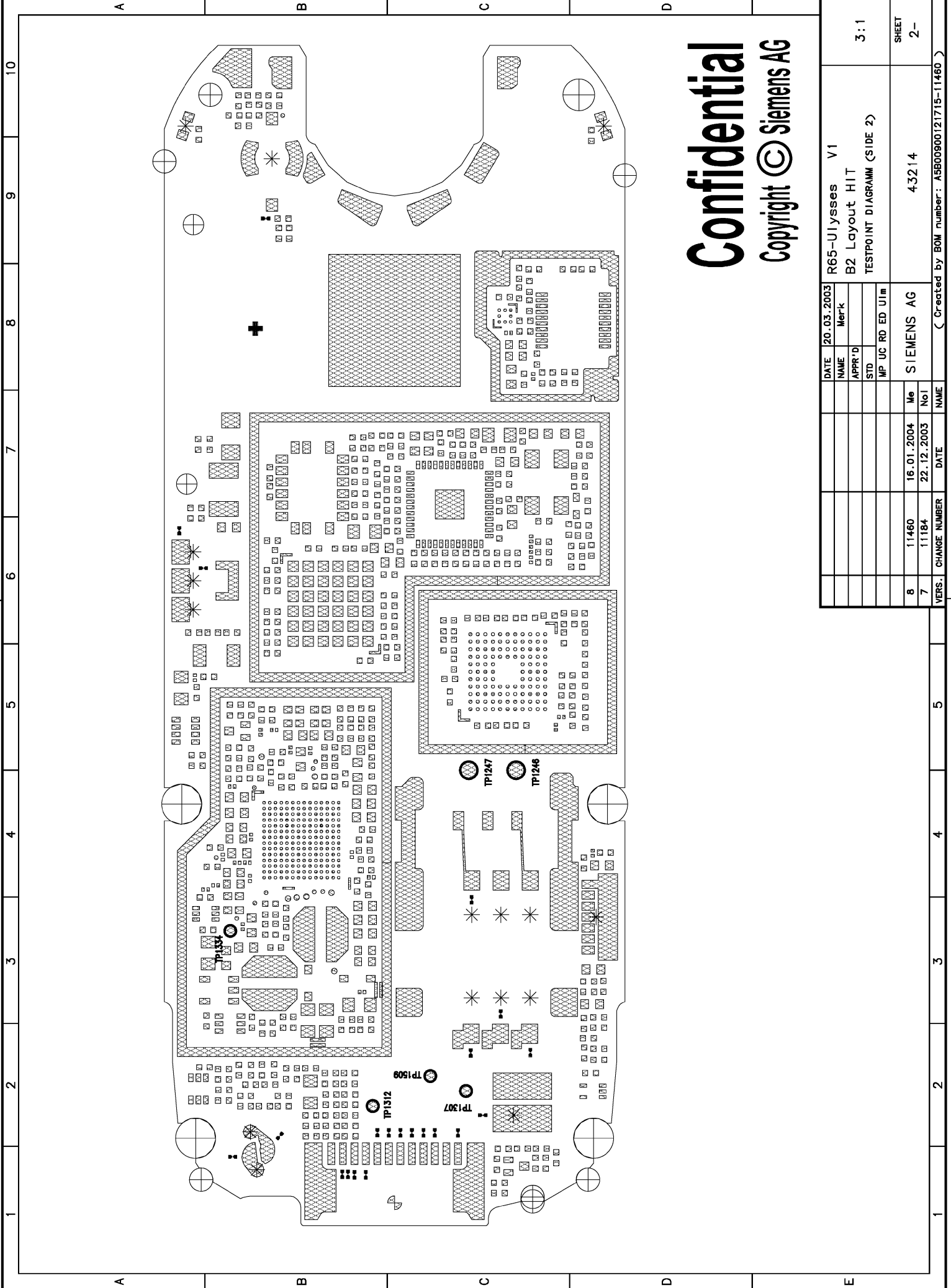


Confidential
Copyright © Siemens AG

PROPRIETARY DATA, COMPANY CONFIDENTIAL
ALLE RECHTE VORBEHALTEN

ALLE RECHTE VORBEHALTEN
SAP-Ident: 43214 / BOM / 000 / 08 Created/Changed: NOLTE , 2004-01-12

DATE		20.03.2003		R65-Uijsses V1	
NAME		Merk		B2 Layout HIT	
APPR'D				TESTPOINT DIAGRAM (SIDE 1)	
STD				3:1	
MP UC RD ED UIm				43214	
SIEMENS AG				SHEET	
Me		16.01.2004		1+	
No1		22.12.2003			
VERS. CHANGE NUMBER		DATE		Created by BOM number: A5B00900121715-11460	
8		11460			
7		1184			



Confidential
 Copyright © Siemens AG

	DATE	20.03.2003							R65-Ulysses V1	
	NAME	Mark							B2 Layout HIT	3:1
	APPR'D								TESTPOINT DIAGRAM (SIDE 2)	
	STD									
	MP UC RD ED UIm									
8	11460	16.01.2004	Me					SIEMENS AG	43214	SHEET 2-
7	11184	22.12.2003	No1							
	VERS. CHANGE NUMBER	DATE	NAME						(Created by BOM number: ASB00900121715-11460)	