

Proprietary data, company confidential.
All rights reserved

Als Betriebsgeheimnis anvertraut
Alle Rechte vorbehalten

1	2	3	4	5
HIERARCHY		SHEET		PDF-SHEET
A5B00900172405-22140		index		sheet 1
		netlist1		sheet 2
		netlist2		sheet 3
		poslist1		sheet 4
		page1		----
		sheet1		sheet 5
		sheet4		sheet 6
		sheet10		sheet 7
		sheet11		sheet 8
		sheet12		sheet 9
		sheet13		sheet 10
		sheet14		sheet 11
		sheet15		sheet 12
		sheet16		sheet 13
		sheet17		sheet 14
		sheet19		sheet 15
		sheet21		sheet 16
		sheet22		sheet 17
		sheet26		sheet 18
		sheet27		sheet 19
		sheet35		sheet 20
		sheet38		sheet 21
		sheet39		sheet 22
		sheet42		sheet 23

			DATE	05.07.2004	Phoenix B1+ Board Variant V1 TOP HIERARCHY LEVEL SCHEMATIC	1:1
			USER	Kuehn		
			APPR'D			
			COM MD PD HW4 ULM			
3	26042	12.04.2005	Kue	Siemens AG	131372	index
2	25048	08.03.2005	Kue			
1	22141	12.01.2005	Me			
VERS.	CHANGE NUMBER	DATE	NAME	(Created by BOM number: A5B00900172407-26042)		

Proprietary data, company confidential.
All rights reserved

Als Betriebsgeheimnis anvertraut
Alle Rechte vorbehalten

	1	2	3	4	5	6	7	8	9	10			
1.5V_DSP /sheet35 2 A /sheet13 9 B /sheet11 11 C	/sheet15 4 E /sheet15 2 E /sheet13 10 D	/sheet4 10 F /sheet10 3 F	/sheet10 13 F /sheet35 1 D	/sheet35 9 B /sheet42 9 C	KP_IN1 /sheet27 2 B /sheet27 10 C /sheet13 7 C /sheet10 5 G	/sheet15 10 B /sheet13 1 E	PIXEL_DATA1 /sheet17 6 B /sheet35 3 C	/sheet13 2 C /sheet10 3 E	/sheet4 2 C /sheet39 1 C /sheet10 6 B	/sheet13 12 G /sheet13 2 D	TX_PCN_OUT /sheet39 1 C /sheet39 6 F		
1.5V_UC /sheet13 9 B /sheet11 5 B /sheet11 11 D /sheet35 2 B	A(0:24) /sheet10 12 G /sheet12 15 E /sheet12 10 D	BC0 /sheet10 7 G /sheet12 15 E /sheet12 10 C	CAMERA_CLK /sheet17 2 C /sheet35 4 D	CHE /sheet10 7 G /sheet12 15 E /sheet12 10 C	DISPLAY_D0 /sheet22 11 E /sheet35 4 D	HF_OUT1 /sheet38 5 D /sheet39 1 D	MMC_CD /sheet35 11 F /sheet35 2 G	PIXEL_DATA2 /sheet17 6 C /sheet35 3 C	PM_SIN26M /sheet13 3 E /sheet4 2 F /sheet4 4 F /sheet39 15 C	RF_I /sheet4 2 B /sheet4 4 B /sheet39 15 D /sheet10 8 B	SGL_SIN26M /sheet4 2 C /sheet4 4 C /sheet39 15 C /sheet10 1 E	USB_D+ /sheet15 7 G /sheet10 13 C	
1.8V_AAC /sheet1 13 E /sheet1 4 C /sheet1 15 D	AAC_CLK32 /sheet10 13 D /sheet1 7 D	BC1 /sheet10 7 G /sheet12 15 F /sheet12 10 C	CAMERA_DATA_CLK /sheet17 2 C /sheet35 3 D	CLK32 /sheet42 1 D /sheet4 10 F /sheet10 5 B /sheet35 8 G	DISPLAY_D1 /sheet22 11 E /sheet35 4 D	HW_DET_BAND_SEL /sheet10 3 D /sheet10 2 G	KP_IN2 /sheet27 2 B /sheet27 10 D /sheet10 5 G	MMC_CLK /sheet35 2 G /sheet35 11 E	PIXEL_DATA3 /sheet17 6 C /sheet35 3 C	PM_SSC_MRST /sheet13 6 F	RF_IX /sheet4 2 B /sheet4 4 B /sheet39 15 D /sheet10 8 B	SIM_CLK /sheet16 9 B /sheet10 11 B	USB_D- /sheet15 7 G /sheet10 13 C
1.8V_MEM1 /sheet13 9 B /sheet11 11 D /sheet12 10 E /sheet1 3 C	AAC_CS /sheet10 13 E /sheet1 7 D /sheet1 10 D	BFCLKI /sheet10 6 G /sheet12 15 E /sheet12 9 B	CAMERA_HSYNC /sheet17 6 C /sheet35 3 D	CLK_13_26 /sheet35 8 G	DISPLAY_D2 /sheet22 11 E /sheet35 4 D	HW_DET_MOB_TYPE1 /sheet10 3 D /sheet10 2 F	KP_IN3 /sheet27 2 B /sheet27 9 D /sheet14 6 D /sheet4 2 G /sheet4 4 G /sheet10 5 G	MMC_CMD /sheet35 2 G /sheet35 11 E	PIXEL_DATA4 /sheet17 6 C /sheet35 3 C	PM_WADOG /sheet13 2 D /sheet10 5 B	RF_Q /sheet4 2 B /sheet4 4 B /sheet39 15 D /sheet10 8 B	SIM_RST /sheet16 9 B /sheet10 11 B	USB_SWITCH_EN /sheet15 1 F /sheet10 6 B
1.8V_MEM2 /sheet42 4 A /sheet42 5 B /sheet13 9 C /sheet13 9 B /sheet4 14 F /sheet12 12 A /sheet12 10 B /sheet12 9 D /sheet12 9 D /sheet12 6 C /sheet1 3 D /sheet35 2 A	AAC_RESET /sheet10 6 B /sheet1 7 D	BFCLKO /sheet10 6 G /sheet12 15 E /sheet12 15 E	CAMERA_I2C_CLK /sheet17 2 C /sheet35 9 G	CS0_FLASH /sheet10 7 G /sheet12 15 F /sheet12 10 B	DISPLAY_D3 /sheet22 11 E /sheet35 4 D	HW_DET_MOB_TYPE2 /sheet10 3 D /sheet10 2 G	KP_IN4 /sheet27 2 B /sheet27 10 D /sheet14 6 D /sheet4 2 G /sheet4 4 G /sheet10 3 F	MMC_DAT /sheet35 2 F /sheet35 11 F	PIXEL_DATA5 /sheet17 6 C /sheet35 3 C	PM_WADOG2 /sheet13 3 D	RF_QX /sheet4 2 B /sheet4 4 B /sheet39 15 D /sheet10 8 B	SIM_IO /sheet16 9 B /sheet10 11 B	VAUDREGA /sheet13 9 C /sheet13 3 E /sheet13 3 C
2.65V /sheet42 5 A /sheet42 5 B /sheet42 5 A /sheet42 5 B /sheet26 2 A /sheet15 5 F /sheet15 6 F /sheet14 5 A /sheet13 3 D /sheet13 9 B /sheet13 4 F /sheet11 8 B /sheet11 5 B /sheet11 7 B /sheet11 8 B /sheet11 11 C /sheet4 14 F /sheet4 2 F /sheet4 4 F /sheet10 10 A /sheet10 2 D /sheet10 15 D	AC_CTS /sheet15 7 G /sheet10 13 E	BOOST_OUT /sheet13 10 E /sheet13 6 C	CAMERA_I2C_DATA /sheet17 2 C /sheet35 9 G	CS1_SDRAM /sheet10 7 G /sheet12 15 F /sheet12 10 C	DISPLAY_D4 /sheet22 11 E /sheet35 4 D	HW_DET_MOB_TYPE3 /sheet10 3 D /sheet10 2 G	KP_OUT0 /sheet27 2 B /sheet10 3 F	MON1 /sheet10 3 D	PIXEL_DATA6 /sheet17 6 C /sheet35 3 C	RAS /sheet10 6 G /sheet12 15 E /sheet12 10 C	RF_QX /sheet4 4 B /sheet4 2 B /sheet39 15 D /sheet10 8 B	STEPDOWN_GND /sheet13 3 B /sheet13 11 A /sheet13 7 H /sheet13 11 A /sheet13 6 F	VBAT /sheet10 15 F /sheet10 9 B
AC_DCD /sheet15 7 G /sheet10 5 B	AC_DCD /sheet15 7 G /sheet10 5 B	BREF /sheet10 10 B /sheet10 14 B	CAM_SENSOR_PD /sheet17 2 D /sheet35 7 G	CS2_FLASH /sheet10 7 G /sheet12 15 F /sheet12 10 B	DISPLAY_D5 /sheet22 11 E /sheet35 4 D	HW_DET_MOB_TYPE4 /sheet10 3 D /sheet10 2 G	KP_OUT1 /sheet27 2 B /sheet10 3 F	MON2 /sheet10 2 D	PM_CHARGE_UC /sheet13 2 D /sheet10 5 B	RD /sheet10 7 G /sheet12 15 E /sheet12 10 B	RF_RAMP1 /sheet4 2 C /sheet4 4 C /sheet39 1 F /sheet10 7 A	STEPUP_GND /sheet13 10 D /sheet13 12 D /sheet13 11 E /sheet13 10 D /sheet13 11 E /sheet13 9 H	VBOOST /sheet27 1 C /sheet13 12 D /sheet13 10 D /sheet4 12 B /sheet22 11 E
AC_RTS /sheet15 7 G /sheet10 13 E	AC_RTS /sheet15 7 G /sheet10 13 E	BT_CTS /sheet42 3 C /sheet4 10 E /sheet10 13 E	CAS /sheet10 6 G /sheet12 15 E /sheet12 10 C	CTS /sheet15 3 G /sheet15 10 B	DISPLAY_D6 /sheet22 11 E /sheet35 4 D	HW_DET_MOB_TYPE5 /sheet10 3 D /sheet10 2 G	KP_OUT2 /sheet27 2 B /sheet10 3 F	MONO1_LP_OUT /sheet13 3 E /sheet13 6 E	PM_I2S_ADC /sheet13 7 F /sheet10 13 C	REF_GND /sheet13 2 A /sheet13 6 G	RF_RX_SW /sheet4 4 E /sheet4 2 E /sheet39 1 B /sheet10 6 B	STEREO1_OUT /sheet15 11 B /sheet13 6 E	VBOOST_FB /sheet13 2 C /sheet13 10 D
AC_RX /sheet15 7 G /sheet10 13 E	AC_RX /sheet15 7 G /sheet10 13 E	BT_PCM_CLK /sheet42 3 C /sheet4 10 F /sheet10 15 D	CHARGE_CNTRL /sheet13 10 H /sheet13 7 D	D(0:15) /sheet10 9 G /sheet12 15 B /sheet12 13 E	DISPLAY_D7 /sheet22 11 F /sheet35 4 E	HW_DET_RF_TYPE /sheet10 3 D /sheet10 2 G	KP_OUT3 /sheet27 10 C /sheet10 3 E	MONO1_OUT /sheet13 7 E /sheet4 2 G /sheet4 4 G /sheet17 10 A	PM_I2S_CLK /sheet13 8 F /sheet13 3 F /sheet4 4 D /sheet11 1 D	RF_AFC /sheet4 4 B /sheet4 2 B /sheet39 15 B /sheet10 1 E	RF_STR /sheet4 2 A /sheet4 4 A /sheet39 15 C /sheet10 7 B	STEREO2_OUT /sheet15 11 B /sheet13 6 E	VBUCK /sheet13 2 B /sheet13 12 A
AC_TX /sheet15 7 G /sheet10 13 E	AC_TX /sheet15 7 G /sheet10 13 E	BT_PCM_IN /sheet42 3 C /sheet4 10 F /sheet10 13 D	CHARGE_SOURCE /sheet13 10 H /sheet13 7 D	D(3) /page1 3 C	DISPLAY_VD /sheet22 11 D /sheet35 4 F	I2C_CLK /sheet13 2 F /sheet10 13 D	KP_OUT4 /sheet27 2 B /sheet10 3 F	MONO2_LP_OUT /sheet13 3 E /sheet13 6 E	PM_I2S_DAC /sheet13 3 F /sheet1 4 D /sheet11 1 D	RF_ANT_DET /sheet38 7 D /sheet4 2 D /sheet4 4 D /sheet10 6 A	RF_TXONPA /sheet4 2 C /sheet4 4 C /sheet39 1 F /sheet10 5 B /sheet10 6 B	TRACEPKT4 /sheet10 3 D	VBUCK_FB /sheet13 10 A /sheet13 2 C
ADV /sheet10 6 G /sheet12 15 E /sheet12 10 B	ADV /sheet10 6 G /sheet12 15 E /sheet12 10 B	BT_PCM_OUT /sheet42 3 C /sheet4 10 F /sheet10 13 D	CIF_CLK /sheet10 3 C /sheet1 7 D /sheet35 8 D	DB_ETMCLK /sheet10 3 D	DISPLAY_WR /sheet22 11 E /sheet35 1 E	I2C_DAT /sheet13 3 F /sheet10 13 D	LIGHT_DISP /sheet27 8 B /sheet4 12 B /sheet4 9 B /sheet22 11 E	MONO2_OUT /sheet13 7 E /sheet4 4 G /sheet4 2 G /sheet17 10 B	PM_I2S_WA0 /sheet13 8 F /sheet13 3 F /sheet1 4 D /sheet11 1 D	RF_BAND_SW /sheet4 2 E /sheet4 4 E /sheet39 6 F /sheet10 6 B	RTS /sheet15 10 B /sheet15 3 G	TRACEPKT5 /sheet10 3 E	VBUCK_LX /sheet13 10 A /sheet13 6 B
AKKU_TYP /sheet14 5 A /sheet4 2 F /sheet4 2 F /sheet4 4 F /sheet10 10 A /sheet10 2 D /sheet10 15 D	AKKU_TYP /sheet14 5 A /sheet4 2 F /sheet4 2 F /sheet4 4 F /sheet10 10 A /sheet10 2 D /sheet10 15 D	BT_PCM_SYNC /sheet42 3 C /sheet4 10 F /sheet10 13 D	CIF_CS /sheet10 6 B /sheet35 8 B	DB_RTCK /sheet10 3 D	DVDD_CAMERA /sheet17 2 B /sheet17 6 D /sheet35 8 F	I2S_DAC /sheet10 15 C /sheet1 3 D	LIGHT_PWM1 /sheet27 6 E /sheet13 7 D	OSC32K /sheet10 2 E	PM_INT /sheet13 7 F /sheet10 13 D	RF_CLK /sheet4 4 A /sheet4 2 A /sheet12 7 E /sheet10 7 B	RX /sheet15 2 G /sheet15 10 A	TRACEPKT6 /sheet10 3 E	VCC_LIGHT /sheet27 2 C
BATT+ /sheet27 1 C /sheet26 6 B /sheet21 5 C /sheet14 7 C /sheet14 5 A /sheet13 3 C /sheet13 3 E /sheet13 12 G	BATT+ /sheet27 1 C /sheet26 6 B /sheet21 5 C /sheet14 7 C /sheet14 5 A /sheet13 3 C /sheet13 3 E /sheet13 12 G	BT_RESET /sheet42 3 D /sheet13 7 D /sheet4 10 F	CIF_CS_EBU /sheet10 7 G /sheet12 15 F	DB_TDI /sheet10 3 C /page1 3 B	F32K /sheet10 2 E	I2S_WA0 /sheet10 15 C /sheet1 3 D	LIGHT_PWM2 /sheet27 5 D /sheet13 7 D	PCN_PA_IN /sheet39 1 F /sheet39 9 E	PM_RESET_1.8V /sheet13 7 C /sheet12 7 E /sheet10 7 B	RF_DAT /sheet4 4 A /sheet4 2 A /sheet39 15 C /sheet10 7 B	SDCLKI /sheet10 6 G /sheet12 15 E /sheet12 8 C	TRACEPKT7 /sheet10 3 E	VCOEN_UC /sheet13 2 C /sheet10 1 E
2.65V_CIF /sheet13 8 A /sheet35 2 A	2.65V_CIF /sheet13 8 A /sheet35 2 A	BT_RTS /sheet42 3 C /sheet4 10 E /sheet10 13 E	CIF_MRST /sheet10 5 B /sheet1 7 D /sheet35 8 D	DB_TMS /sheet10 3 C /page1 3 B	FLASH_EN /sheet15 7 F /sheet10 13 F	IR_BT_TX /sheet42 3 C /sheet26 6 A /sheet4 10 E /sheet10 13 E	PHANTOM_BUF_OUT /sheet15 11 B /sheet13 6 E	PIOVDD /sheet35 9 D /sheet35 4 A /sheet35 3 A /sheet35 8 A /sheet35 2 A	PM_RESET_N /sheet13 7 C /sheet10 3 E	RF_FE_DTR_DCS /sheet4 2 B /sheet12 8 C /sheet4 4 B /sheet39 1 C /sheet10 6 B	SDCLKO /sheet10 6 G /sheet12 15 E /sheet12 8 C	TX /sheet15 2 F /sheet15 2 G /sheet15 11 A	VDD_BRIGHT /sheet39 9 A /sheet39 8 B /sheet39 9 B /sheet39 7 C /sheet39 7 A /sheet39 11 A /sheet39 11 C /sheet39 9 E /sheet39 8 E /sheet39 9 A
2.9V /sheet27 1 C /sheet13 9 B /sheet11 5 B /sheet4 9 A /sheet4 12 A /sheet1 3 C /sheet22 11 E /sheet22 11 E	2.9V /sheet27 1 C /sheet13 9 B /sheet11 5 B /sheet4 9 A /sheet4 12 A /sheet1 3 C /sheet22 11 E /sheet22 11 E	BT_SIN26M /sheet42 9 D /sheet4 4 F /sheet4 2 F /sheet39 13 A	CIF_MTSR /sheet10 3 C /sheet1 7 D /sheet35 8 D	DB_TRST /sheet10 3 D /page1 3 C	FLASH_RESET /sheet10 3 E /sheet12 7 E	IR_SEL /sheet26 7 B /sheet10 7 B	MICBIAS_F /sheet19 7 B /sheet15 11 C /sheet13 7 E	PIXEL_DATA0 /sheet17 6 B /sheet35 3 C	PM_RF2_EN /sheet13 2 C /sheet10 6 B	PM_RINGIN /sheet13 3 E /sheet10 11 B	RF_FE_DTR_GSM /sheet4 4 C	SENSE_IN1 /sheet13 12 G /sheet13 2 D	TX_GSM_OUT /sheet39 1 C /sheet39 6 F
2.9V_AAC /sheet1 13 E /sheet1 4 C /sheet1 10 D	2.9V_AAC /sheet1 13 E /sheet1 4 C /sheet1 10 D	BT_VCXOEN /sheet42 3 D /sheet13 2 D /sheet4 10 F	CIF_RESET /sheet10 3 C /sheet35 8 A	DCD /sheet15 3 G /sheet15 10 B	GND_MIC /sheet19 6 D /sheet15 11 B /sheet13 7 D /sheet4 9 A /sheet22 11 D /sheet35 4 E	KB_ON_OFF /sheet27 2 B /sheet13 2 C	MICEA /sheet15 10 B /sheet13 1 E	PIXEL_DATA1 /sheet17 6 B /sheet35 3 C	PM_RTC_INT /sheet13 3 E /sheet10 11 B				
2.9V_CIF /sheet13 8 A /sheet35 13 F	2.9V_CIF /sheet13 8 A /sheet35 13 F	BT_WAKEUP_BT /sheet42 3 C /sheet10 13 F	CIF_RS /sheet10 3 C /sheet35 8 B	DISPLAY_CD /sheet4 12 A /sheet4 9 A /sheet13 1 F /sheet13 8 H	DISPLAY_CS1_A /sheet4 12 A /sheet4 9 A /sheet22 11 D /sheet35 4 E	KP_BACKL /sheet27 4 D	MICEB	PIXEL_DATA2 /sheet17 6 B /sheet35 3 C					
2.9V_CIF_B /sheet13 9 B	2.9V_CIF_B /sheet13 9 B	BT_WAKEUP_GSM /sheet42 3 C	CIF_VSYNC /sheet15 7 F	HF_OUT									

DATE	05.07.2004	USER	Kuehn	APPR'D		COM MD PD HW4 ULM	
3	26042	12.04.2005	Kue	Siemens AG	131372	netlist1	
2	25048	08.03.2005	Kue				
1	22141	12.01.2005	Me				
VERS.	CHANGE NUMBER	DATE	NAME	(Created by BOM number: A5B0090172407-26042)			

Proprietary data, company confidential.
All rights reserved

Als Betriebsgeheimnis anvertraut
Alle Rechte vorbehalten

1	2	3	4	5	
<p>VDD_BRIGHT_ANT /sheet38 7 C /sheet39 6 A</p>					A
<p>VDD_BT /sheet42 4 B /sheet42 3 A /sheet13 9 C /sheet4 14 F</p>					B
<p>VDD_BT_RF /sheet42 5 B /sheet42 7 B /sheet42 6 A /sheet42 3 A</p>					
<p>VDD_CHARGE /sheet13 2 D /sheet13 10 H</p>					C
<p>VDD_RF1 /sheet13 9 C /sheet4 4 D /sheet4 2 D /sheet39 8 F</p>					
<p>VDD_RF2 /sheet13 9 C</p>					D
<p>VDD_RTC /sheet13 9 B /sheet13 2 C /sheet11 5 B</p>					
<p>VDD_SIM /sheet16 9 C /sheet13 9 B</p>					E
<p>VDD_USB /sheet15 5 F /sheet13 9 B /sheet11 5 B</p>					
<p>VDD_VIBRA /sheet21 5 C /sheet13 9 B</p>					
<p>VREFEXS_GND /sheet13 7 H /sheet13 4 F /sheet13 2 E</p>					
<p>WAIT /sheet10 6 G /sheet12 15 E /sheet12 10 A</p>					
<p>WR /sheet10 7 G /sheet12 15 E /sheet12 10 B</p>					

				DATE	05.07.2004	Phoenix B1+ Board Variant V1 TOP HIERARCHY LEVEL SCHEMATIC	1:1
				USER	Kuehn		
				APPR'D			
				COM MD PD HW4 ULM			
3	26042	12.04.2005	Kue	Siemens AG	131372	netlist2	
2	25048	08.03.2005	Kue				
1	22141	12.01.2005	Me				
VERS.	CHANGE NUMBER	DATE	NAME	(Created by BOM number: A5B00900172407-26042)			

Proprietary data, company confidential.
 All rights reserved

Als Betriebsgeheimnis anvertraut
 Alle Rechte vorbehalten

	1	2	3	4	5	6	7	8	9	10
A	C1000 /sheet10 3 E C1001 /sheet10 2 E C1002 /sheet10 2 E C1003 /sheet10 2 E C1005 /sheet10 6 A C1006 /sheet10 14 D C1008 /sheet10 14 E C1009 /sheet10 14 E C1011 /sheet10 10 B C1012 /sheet10 14 B C1013 /sheet10 14 F C1014 /sheet10 14 F C1015 /sheet10 14 C C1016 /sheet10 14 C C1037 /sheet10 2 C C1039 /sheet10 11 B C1110 /sheet11 9 B C1120 /sheet11 5 C C1121 /sheet11 6 C C1122 /sheet11 6 B C1123 /sheet11 6 B C1124 /sheet11 6 B C1125 /sheet11 6 B C1126 /sheet11 7 B C1127 /sheet11 8 B C1128 /sheet11 9 C C1129 /sheet11 9 B C1130 /sheet11 9 B C1131 /sheet11 10 C C1132 /sheet11 10 D C1133 /sheet11 10 D C1134 /sheet11 10 D C1135 /sheet11 10 D C1136 /sheet11 10 E C1137 /sheet11 10 E C1139 /sheet11 10 E C1140 /sheet11 5 C C1141 /sheet11 10 C C1200 /sheet12 7 C C1201 /sheet12 6 E C1203 /sheet12 9 D C1204 /sheet12 10 D C1205 /sheet12 9 D C1206 /sheet12 10 D C1208 /sheet12 9 E C1209 /sheet12 10 E C1210 /sheet12 10 E C1211 /sheet12 10 E C1212 /sheet12 11 E C1213 /sheet12 11 F C1214 /sheet12 11 F C1215 /sheet12 7 C C1216 /sheet12 6 C C1301 /sheet13 3 A C1302 /sheet13 4 A C1303 /sheet13 4 A C1304 /sheet13 2 B C1305 /sheet13 2 B C1306 /sheet13 3 B C1307 /sheet13 3 B C1308 /sheet13 3 D C1309 /sheet13 4 D C1310 /sheet13 4 D C1311 /sheet13 4 D C1312 /sheet13 4 D C1313 /sheet13 4 D C1314 /sheet13 4 D C1315 /sheet13 3 D C1316 /sheet13 7 C C1317 /sheet13 3 E C1319 /sheet13 3 E C1320 /sheet13 2 E C1321 /sheet13 3 E C1322 /sheet13 3 E C1323 /sheet13 2 E C1324 /sheet13 2 E C1325 /sheet13 3 E C1328 /sheet13 8 A C1329-2 /sheet13 6 A C1329-1 /sheet13 6 A C1330-1 /sheet13 6 A C1330-2 /sheet13 6 A C1331 /sheet13 6 A C1332-1 /sheet13 6 A C1332-2 /sheet13 7 A C1333 /sheet13 6 E C1334 /sheet13 6 E	C1335 /sheet13 6 E C1336 /sheet13 10 D C1337 /sheet13 7 A C1338 /sheet13 8 A C1339 /sheet13 7 C C1340 /sheet13 7 C C1341 /sheet13 7 C C1342 /sheet13 7 C C1343 /sheet13 7 C C1344 /sheet13 8 B C1345 /sheet13 10 D C1346 /sheet13 7 E C1347 /sheet13 7 E C1348 /sheet13 7 E C1350 /sheet13 7 F C1352 /sheet13 11 D C1353 /sheet13 12 D C1354 /sheet13 11 A C1355 /sheet13 11 D C1356 /sheet13 11 D C1357 /sheet13 12 D C1358 /sheet13 12 D C1360 /sheet13 11 G C1361 /sheet13 12 G C1363 /sheet13 12 G C1371 /sheet13 4 A C1372 /sheet13 4 A C1373 /sheet13 4 A C1374 /sheet13 4 D C1381 /sheet13 3 E C1382 /sheet13 3 E C1383 /sheet13 1 E C1384 /sheet13 1 E C1390 /sheet13 7 E C1391 /sheet13 6 E C1399 /sheet13 6 E C1400 /sheet14 5 B C1401 /sheet14 6 B C1402 /sheet14 7 B C1403 /sheet14 6 B C1404 /sheet14 6 A C1405 /sheet14 7 A C1426 /sheet14 4 B C1501 /sheet15 7 B C1502 /sheet15 8 B C1504 /sheet15 3 A C1506 /sheet15 9 B C1507 /sheet15 5 A C1510 /sheet15 6 B C1511 /sheet15 7 B C1512 /sheet15 7 B C1513 /sheet15 9 B C1514 /sheet15 9 B C1523 /sheet15 5 A C1525 /sheet15 6 B C1526 /sheet15 5 B C1527 /sheet15 2 F C1528 /sheet15 4 F C1541 /sheet15 4 B C1548 /sheet15 10 B C1549 /sheet15 10 B C1604 /sheet16 8 D C1605 /sheet16 8 D C1606 /sheet16 4 B C1607 /sheet16 5 B C1608 /sheet16 4 C C1705 /sheet17 7 A C1708 /sheet17 8 A C1709 /sheet17 8 B C1901 /sheet19 5 B C1902 /sheet19 5 C C1904 /sheet19 5 C C2100 /sheet21 7 C C2101 /sheet21 7 C C2210 /sheet22 9 F C2211 /sheet22 9 F C2212 /sheet22 9 F C2213 /sheet22 8 F C2214 /sheet22 8 F C2215 /sheet22 8 F C2219 /sheet22 8 F C2220 /sheet22 8 F C2221 /sheet22 9 F C2222 /sheet22 9 F C2223 /sheet22 9 F C2224 /sheet22 10 F C2225 /sheet22 10 F	C2226 /sheet22 10 F C2227 /sheet22 10 F C2301 /sheet27 5 C C2302 /sheet27 7 B C2320 /sheet27 8 B C2630 /sheet26 6 B C2631 /sheet26 1 B C2632 /sheet26 2 B C2633 /sheet26 4 B C2634 /sheet26 3 B C2635 /sheet26 4 B C2636 /sheet26 2 B C2637 /sheet26 5 B C2701 /sheet27 2 B C2702 /sheet27 2 B C2703 /sheet27 2 B C2704 /sheet27 3 B C2705 /sheet27 3 B C2706 /sheet27 3 B C2707 /sheet27 3 B C2708 /sheet27 3 B C2709 /sheet27 4 B C2710 /sheet27 4 B C2711 /sheet27 4 B C2712 /sheet27 3 D C3302 /sheet1 13 E C3304 /sheet1 11 E C3305 /sheet1 13 E C3307 /sheet1 12 E C3308 /sheet1 12 E C3309 /sheet1 12 E C3314 /sheet1 11 E C3315 /sheet1 11 E C3316 /sheet1 11 E C3325 /sheet1 14 E C3500 /sheet35 2 B C3501 /sheet35 3 B C3502 /sheet35 3 B C3503 /sheet35 3 B C3504 /sheet35 3 B C3505 /sheet35 4 B C3506 /sheet35 2 C C3507 /sheet35 7 B C3508 /sheet35 4 D C3509 /sheet35 8 G C3510 /sheet35 8 G C3511 /sheet17 2 E C3512 /sheet17 5 B C3513 /sheet17 6 B C3519 /sheet35 2 B C3520 /sheet35 8 B C3521 /sheet17 3 B C3522 /sheet17 3 E C3524 /sheet17 6 B C3525 /sheet17 3 B C3526 /sheet17 3 B C3527 /sheet17 5 B C3528 /sheet17 6 B C3529 /sheet17 2 C C3533 /sheet17 5 C C3534 /sheet17 6 C C3535 /sheet17 6 C C3536 /sheet17 5 C C3537 /sheet17 6 C C3538 /sheet17 5 E C3539 /sheet17 3 E C3540 /sheet17 3 E C3577 /sheet35 11 D C3578 /sheet35 2 E C3580 /sheet35 13 D C3581 /sheet35 14 D C3583 /sheet35 12 G C3585 /sheet35 12 F C3586 /sheet35 12 F C3587 /sheet35 12 F C3801 /sheet38 5 C C3802 /sheet38 5 C C3803 /sheet38 5 B C3804 /sheet38 5 B C3805 /sheet38 7 C C3806 /sheet38 5 C C3900 /sheet39 8 D C3901 /sheet39 2 C C3902 /sheet39 2 D C3903 /sheet39 5 D C3904 /sheet39 6 B C3905 /sheet39 6 C	C3906 /sheet39 6 C C3907 /sheet39 6 C C3911 /sheet39 2 B C3918 /sheet39 3 D C3919 /sheet39 2 D C3920 /sheet39 11 A C3921 /sheet39 9 A C3922 /sheet39 8 B C3923 /sheet39 8 B C3924 /sheet39 11 C C3925 /sheet39 10 B C3926 /sheet39 11 B C3927 /sheet39 9 B C3928 /sheet39 8 B C3929 /sheet39 8 B C3930 /sheet39 10 B C3931 /sheet39 7 C C3932 /sheet39 11 D C3933 /sheet39 7 D C3934 /sheet39 8 D C3935 /sheet39 8 E C3936 /sheet39 9 E C3937 /sheet39 9 E C3938 /sheet39 9 E C3939 /sheet39 8 B C3940 /sheet39 13 D C3944 /sheet39 12 E C3945 /sheet39 13 E C3947 /sheet39 13 E C3948 /sheet39 12 D C3949 /sheet39 7 D C3960 /sheet39 12 A C3961 /sheet39 13 B C3962 /sheet39 13 B C3963 /sheet39 13 B C3964 /sheet39 13 B C3965 /sheet39 14 B C3966 /sheet39 14 B C3973 /sheet39 8 E C3981 /sheet39 2 E C3982 /sheet39 2 E C3983 /sheet39 2 E C3984 /sheet39 4 F C3985 /sheet39 5 E C3988 /sheet39 5 E C3989 /sheet39 5 E C3990 /sheet39 2 F C3991 /sheet39 3 F C3992 /sheet39 5 F C3993 /sheet39 6 F C3994 /sheet39 5 G C3995 /sheet39 6 G C3996 /sheet39 5 F C3997 /sheet39 6 E C4201 /sheet42 5 A C4202 /sheet42 3 A C4204 /sheet42 6 A C4205 /sheet42 4 A C4206 /sheet42 5 B C4207 /sheet42 6 A C4208 /sheet42 4 B C4209 /sheet42 9 C C4211 /sheet42 7 C C4212 /sheet42 7 A C4213 /sheet42 6 B C4214 /sheet42 6 B C4215 /sheet42 7 D C4216 /sheet42 6 A C4217 /sheet42 4 A C4218 /sheet42 7 D C4220 /sheet42 5 A C4221 /sheet42 7 E C4222 /sheet42 8 D C4223 /sheet42 7 D C4249 /sheet42 10 B C9386 /sheet39 5 E D1000-2 /sheet11 5 E D1000-3 /sheet10 2 B D1000-1 /sheet10 12 F D1201 /sheet12 13 E D1300 /sheet13 4 F D3300 /sheet1 7 E D3501 /sheet35 4 G D4201 /sheet42 4 D L1300 /sheet13 2 B L1301 /sheet13 11 A L1302 /sheet13 10 D	L1503 /sheet15 10 B L1504 /sheet15 10 B L1505 /sheet15 10 B L2633 /sheet26 6 B L3801 /sheet38 6 C L3802 /sheet38 6 C L3803 /sheet38 6 B L3804 /sheet38 6 B L3901 /sheet39 5 C L3902 /sheet39 5 C L3919 /sheet39 3 D L3921 /sheet39 9 D L3922 /sheet39 9 D L3923 /sheet39 7 A L3924 /sheet39 8 D L3981 /sheet39 5 F L3982 /sheet39 5 F L3986 /sheet39 5 F L4201 /sheet42 7 C L4202 /sheet42 7 E L4249 /sheet42 10 A N1501 /sheet15 3 F N3500 /sheet17 3 D N3580 /sheet35 12 D N3901 /sheet39 4 C N3921 /sheet39 8 C N3981 /sheet39 3 F R101 /page1 3 C R1001 /sheet10 2 D R1003 /sheet10 2 D R1004 /sheet10 2 D R1006 /sheet10 3 E R1014 /sheet10 10 B R1015 /sheet10 9 A R1018 /sheet10 13 B R1021 /sheet10 14 B R1022 /sheet10 15 F R1023 /sheet10 15 F R1024 /sheet10 14 D R1025 /sheet10 14 D R1026 /sheet10 6 G R1027 /sheet10 6 G R1038 /sheet10 10 A R1039 /sheet10 10 B R1040 /sheet10 2 F R1041 /sheet10 2 F R1042 /sheet10 3 F R1043 /sheet10 2 F R1045 /sheet10 2 G R1046 /sheet10 2 G R1047 /sheet10 2 G R1048 /sheet10 3 G R1049 /sheet10 3 F R1050 /sheet10 3 F R1051 /sheet10 3 G R1052 /sheet10 3 G R1054 /sheet10 3 F R1055 /sheet10 3 G R1101 /sheet11 8 B R1130 /sheet11 6 B R1201 /sheet12 9 B R1202 /sheet12 11 A R1203 /sheet12 7 C R1205 /sheet12 9 C R1300 /sheet13 2 B R1301 /sheet13 2 F R1302 /sheet13 3 B R1303 /sheet13 2 C R1304 /sheet13 2 G R1305 /sheet13 10 D R1308 /sheet13 3 D R1320 /sheet13 8 C R1328 /sheet13 6 E R1340 /sheet13 12 D R1341 /sheet13 11 D R1343 /sheet13 11 E R1344 /sheet13 12 G R1350 /sheet13 7 F R1353 /sheet13 11 H R1362 /sheet13 1 E R1370 /sheet13 4 F R1371 /sheet13 3 F R1372 /sheet13 3 F R1399 /sheet13 6 C R1500 /sheet15 4 C R1501 /sheet15 6 C R1502 /sheet15 6 C	R1505 /sheet15 5 C R1507 /sheet15 6 F R1508 /sheet15 8 B R1509 /sheet15 5 E R1510 /sheet15 5 E R1511 /sheet15 5 F R1512 /sheet15 6 A R1513 /sheet15 2 F R1515 /sheet15 4 F R1524 /sheet15 10 B R1525 /sheet15 10 B R1601 /sheet16 4 B R1614 /sheet16 8 C R1705 /sheet17 9 A R1706 /sheet17 9 B R1901 /sheet19 6 C R1902 /sheet19 6 C R1926 /sheet19 7 C R1927 /sheet19 6 C R2200 /sheet22 10 D R2201 /sheet22 10 E R2202 /sheet22 10 E R2310 /sheet27 7 B R2311 /sheet27 8 B R2312 /sheet27 7 D R2313 /sheet27 5 D R2631 /sheet26 2 B R2633 /sheet26 5 B R2700 /sheet27 3 E R2701 /sheet27 2 D R2702 /sheet27 1 C R2703 /sheet27 1 C R2704 /sheet27 1 C R2705 /sheet27 3 D R2706 /sheet27 1 C R3300 /sheet1 9 D R3301 /sheet1 9 D R3302 /sheet1 4 E R3308 /sheet1 14 D R3310 /sheet1 4 C R3311 /sheet1 4 D R3312 /sheet1 4 C R3314 /sheet1 4 D R3315 /sheet1 4 D R3316 /sheet1 4 D R3318 /sheet1 9 D R3319 /sheet10 10 D R3320 /sheet1 10 D R3321 /sheet1 10 D R3500 /sheet35 4 C R3501 /sheet35 7 A R3503 /sheet35 2 A R3505 /sheet35 2 B R3508 /sheet35 4 D R3509 /sheet35 7 G R3511 /sheet35 8 E R3512 /sheet35 2 A R3514 /sheet35 8 E R3518 /sheet35 8 G R3519 /sheet35 8 G R3540 /sheet17 5 B R3541 /sheet17 5 B R3542 /sheet17 2 C R3543 /sheet17 5 C R3544 /sheet17 5 C R3545 /sheet17 5 C R3547 /sheet17 5 C R3549 /sheet17 5 C R3550 /sheet17 5 C R3554 /sheet35 3 A R3580 /sheet35 12 E R3581 /sheet35 12 E R3582 /sheet35 12 E R3584 /sheet35 13 F R3585 /sheet35 13 F R3587 /sheet35 13 E	R3588 /sheet35 13 E R3589 /sheet35 13 F R3801 /sheet38 6 C R3802 /sheet38 7 C R3804 /sheet38 5 B R3901 /sheet39 2 C R3902 /sheet39 2 C R3903 /sheet39 5 B R3904 /sheet39 5 C R3905 /sheet39 5 C R3906 /sheet39 5 C R3907 /sheet39 5 D R3908 /sheet39 5 D R3909 /sheet39 6 D R3910 /sheet39 6 D R3921 /sheet39 7 A R3922 /sheet39 11 A R3923 /sheet39 10 B R3924 /sheet39 10 B R3925 /sheet39 7 D R3926 /sheet39 11 C R3927 /sheet39 12 D R3946 /sheet39 13 E R3961 /sheet39 12 A R3962 /sheet39 13 B R3963 /sheet39 14 B R3964 /sheet39 14 B R3965 /sheet39 14 B R3966 /sheet39 15 B R3967 /sheet39 15 B R3981 /sheet39 2 F R3982 /sheet39 2 F R3983 /sheet39 6 F R3984 /sheet39 8 F R3985 /sheet39 2 B R3987 /sheet39 6 E R4201 /sheet42 7 B R4202 /sheet42 7 C R4203 /sheet42 8 C R4204 /sheet42 2 C R4249 /sheet42 9 B R4272 /sheet42 7 D S2931 /sheet27 9 D TP4202 /sheet42 7 C TP4201 /sheet42 9 B TP2701 /sheet27 4 C TP1307 /sheet13 8 B TP1318 /sheet13 6 C TP1324 /sheet13 4 C TP1334 /sheet13 7 C TP1327 /sheet13 11 A TP1317 /sheet13 8 B TP1301 /sheet13 4 C TP1302 /sheet13 4 D TP4203 /sheet13 8 C TP1321 /sheet13 6 C TP1309 /sheet13 8 B TP1310 /sheet13 8 B TP1311 /sheet13 8 B TP1355 /sheet13 11 D TP1306 /sheet13 8 B TP1312 /sheet13 8 B TP1308 /sheet13 8 B TP3921 /sheet39 7 D TP3920 /sheet39 13 C TP3980 /sheet39 2 F TP1022 /sheet10 9 B TP1013 /sheet10 13 A TP1014 /sheet10 14 B TP1200 /sheet12 8 C TP1201 /sheet12 7 C TP3500 /sheet17 3 D TP3502 /sheet17 5 D TP3503 /sheet35 14 D V1302 /sheet13 11 A V1303 /sheet13 11 D	V1304 /sheet13 11 E V1305-1 /sheet13 11 G V1305-2 /sheet13 11 G V1318 /sheet13 7 A V1400 /sheet14 5 B V1500 /sheet15 6 F V2100 /sheet21 6 C V2302 /sheet27 8 B V2303 /sheet27 6 D V2631 /sheet26 3 B V2701-1 /sheet27 3 D V2701-2 /sheet27 3 D V3961 /sheet39 13 B V3962 /sheet39 12 A X1001 /sheet10 1 A X1400 /sheet14 3 B X1504 /sheet15 1 B X1603 /sheet16 3 B X2200 /sheet22 7 F X2203 /sheet22 1 G X2705 /sheet27 4 B X3500 /sheet17 3 C X3580 /sheet35 15 E X3800 /sheet38 5 C X3802 /sheet38 7 B X3803 /sheet38 8 B X3804 /sheet38 9 B X3901 /sheet39 9 G X4201 /sheet42 1 E Z1000 /sheet10 2 E Z1500 /sheet15 4 G Z1601 /sheet16 5 B Z3961 /sheet39 12 B Z4200 /sheet42 8 B Z4202 /sheet42 9 C		

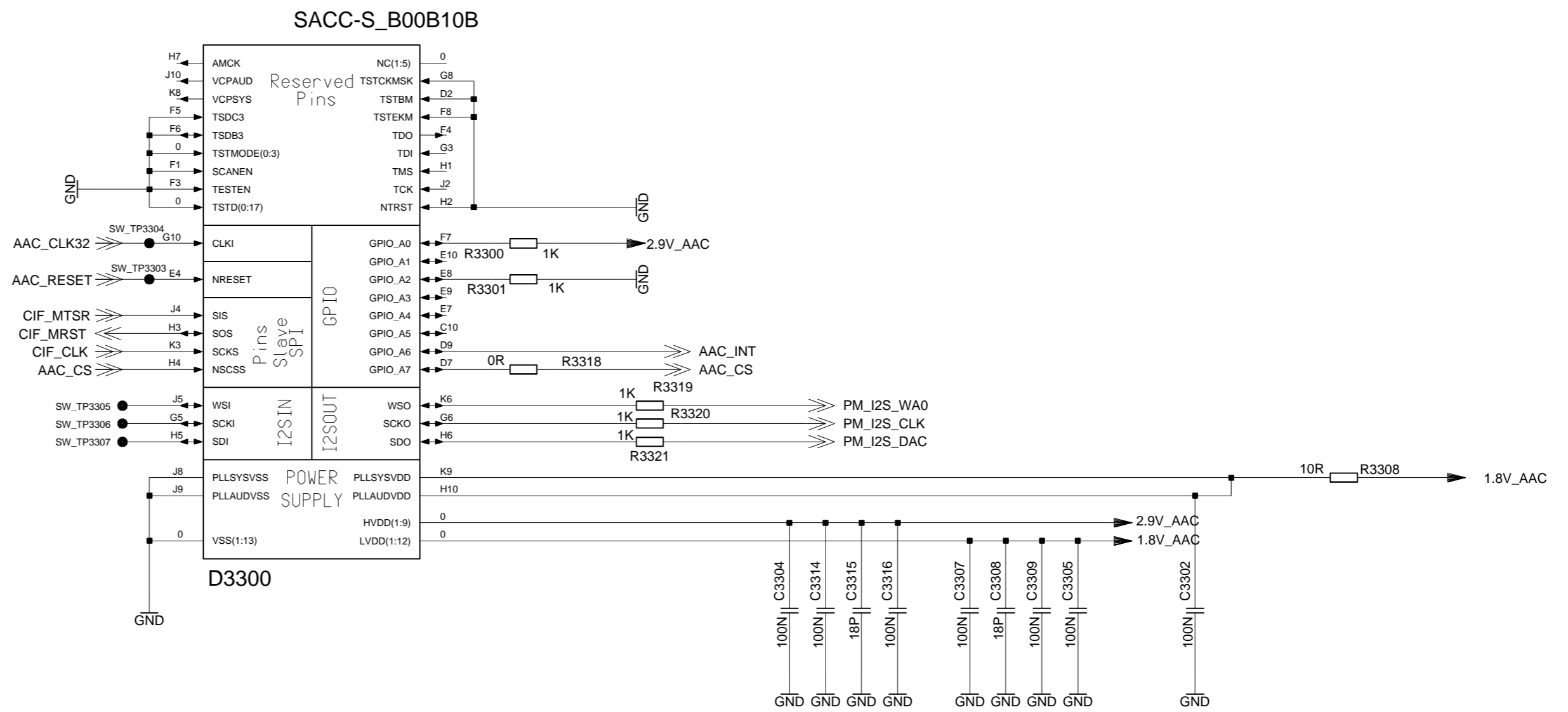
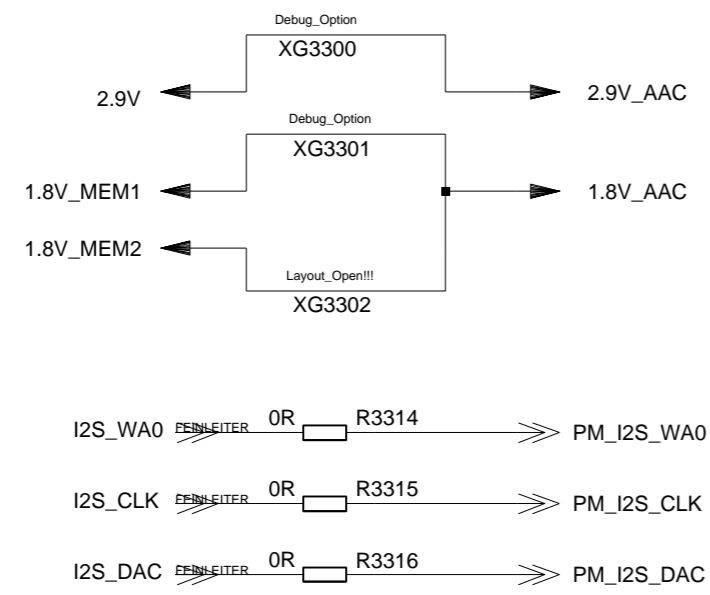
DATE	05.07.2004	Phoenix B1+ Board		1:1
USER	Kuehn	Variant V1		
APPR'D		TOP HIERARCHY LEVEL		
		SCHEMATIC		
		COM MD PD HW4 ULM		
3	26042	12.04.2005	Kue	
2	25048	08.03.2005	Kue	
1	22141	12.01.2005	Me	
VERS.	CHANGE NUMBER	DATE	NAME	
			Siemens AG	poslist1
			131372	
			(Created by BOM number: A5B00900172407-26042)	

Proprietary data, Company confidential.
all rights reserved

Als Betriebsgeheimnis anvertraut
alle Rechte vorbehalten

AAC SOUND CHIP

3300-3400

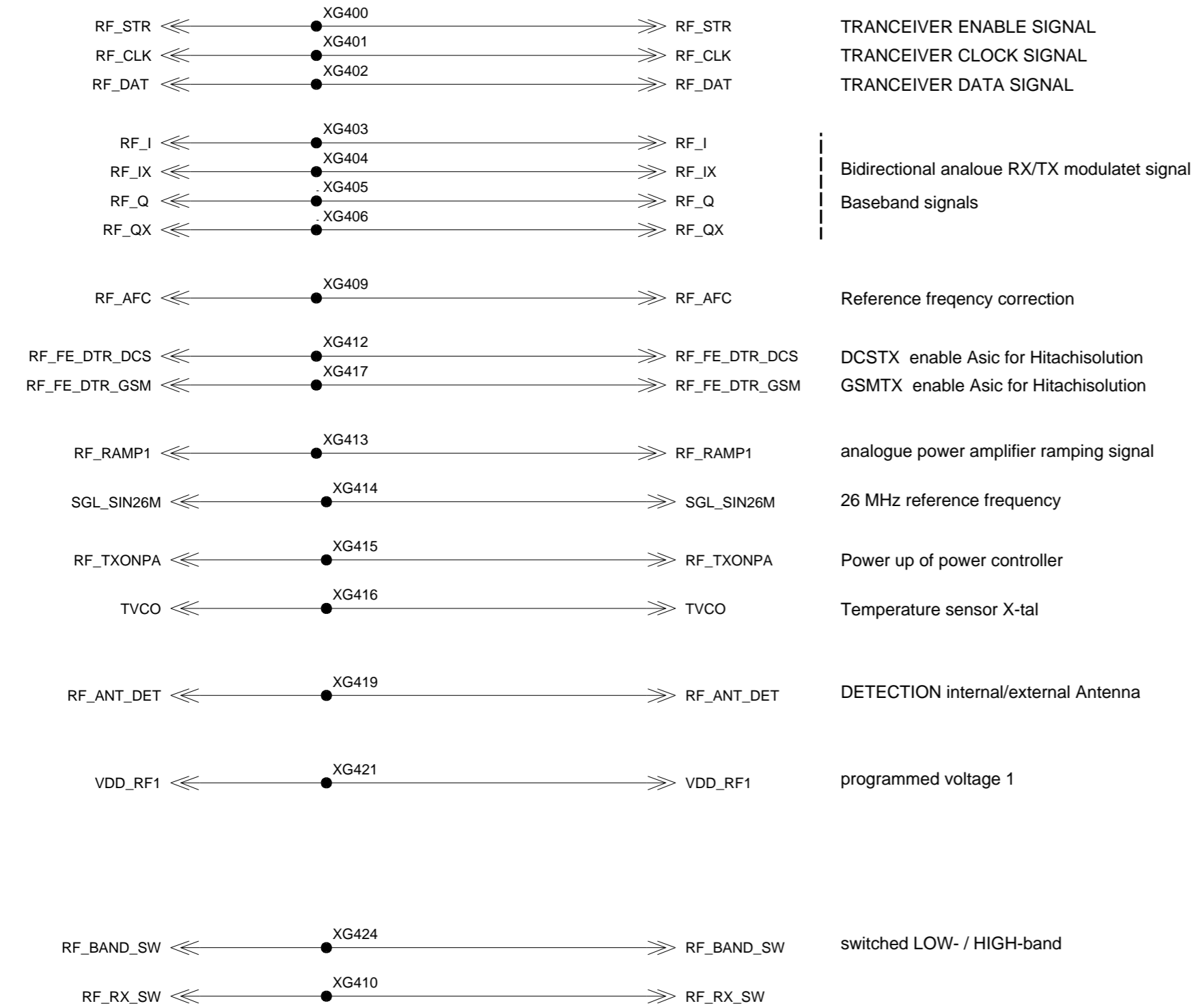


DATE	05.07.2004	Phoenix B1+ Board Variant V1 TOP HIERARCHY LEVEL SCHEMATIC	1:1
USER	Kuehn		
APPR'D			
		COM MD PD HW4 ULM	
3	26042	12.04.2005	Kue
2	25048	08.03.2005	Kue
1	22141	12.01.2005	Me
VERS.	CHANGE NUMBER	DATE	NAME
		Siemens AG	131372
			sheet1

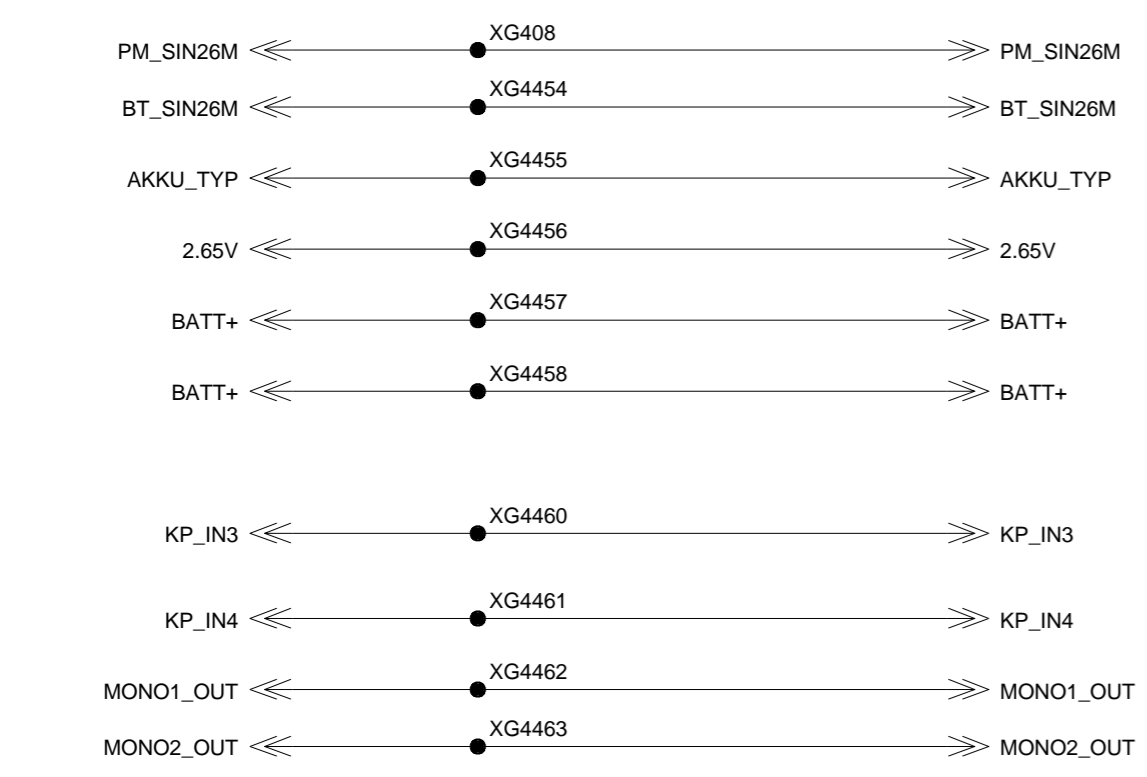
(Created by BOM number: A5B00900172407-26042)

HIT_POINTS LOGIK/HF_PART_1

HIT_POINTS LOGIK/HF 400-449



For Layout



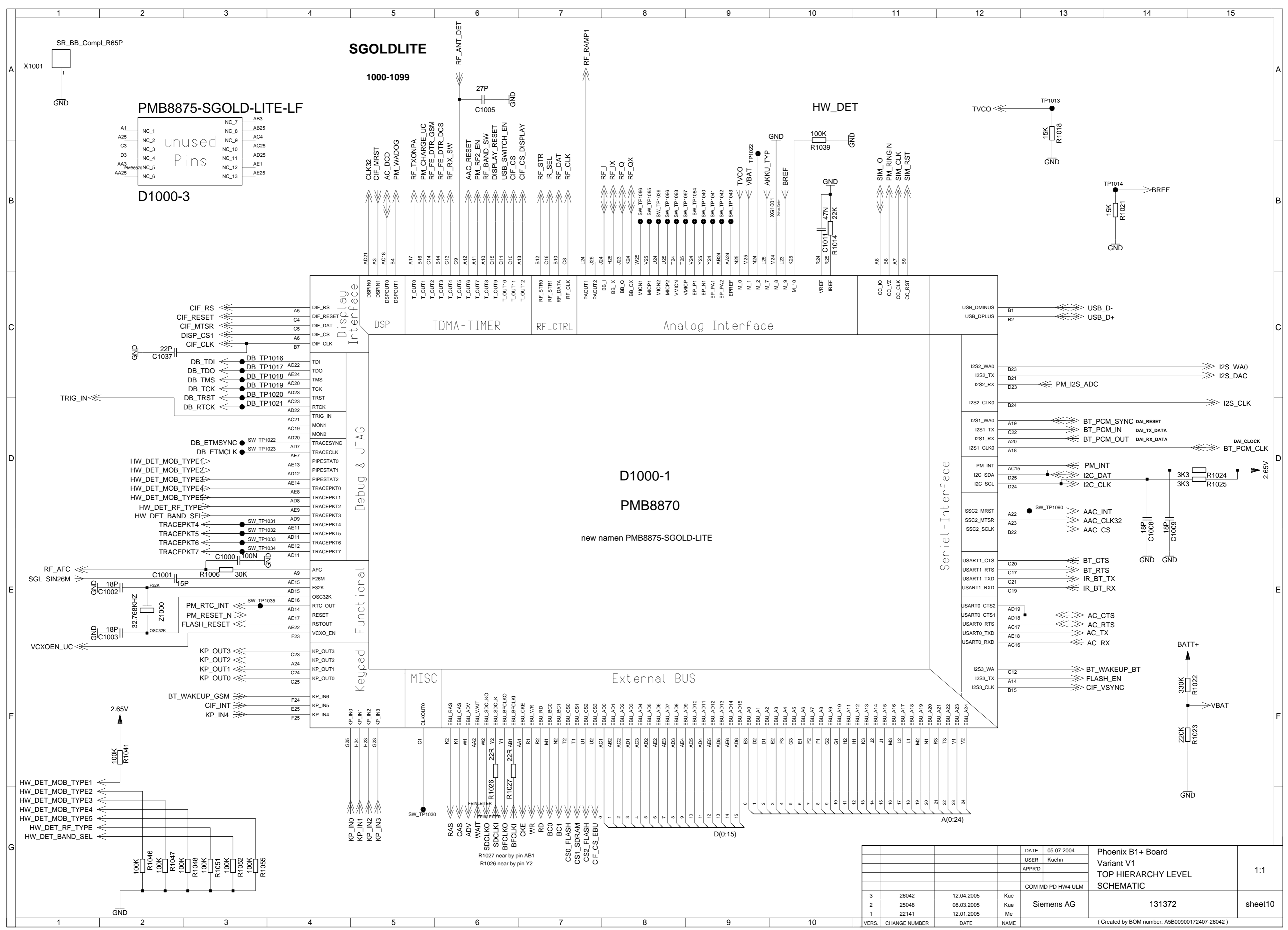
HIT_POINTS LOGIK/BLUETOOTH



VERS.	CHANGE NUMBER	DATE	NAME	DATE	USER	APP'D	COM MD PD HW4 ULM	Phoenix B1+ Board Variant V1 TOP HIERARCHY LEVEL SCHEMATIC	1:1
3	26042	12.04.2005	Kue	05.07.2004	Kuehn			Siemens AG	131372
2	25048	08.03.2005	Kue						
1	22141	12.01.2005	Me						
								(Created by BOM number: A5B00900172407-26042)	sheet4

Proprietary data. Company confidential.
all rights reserved

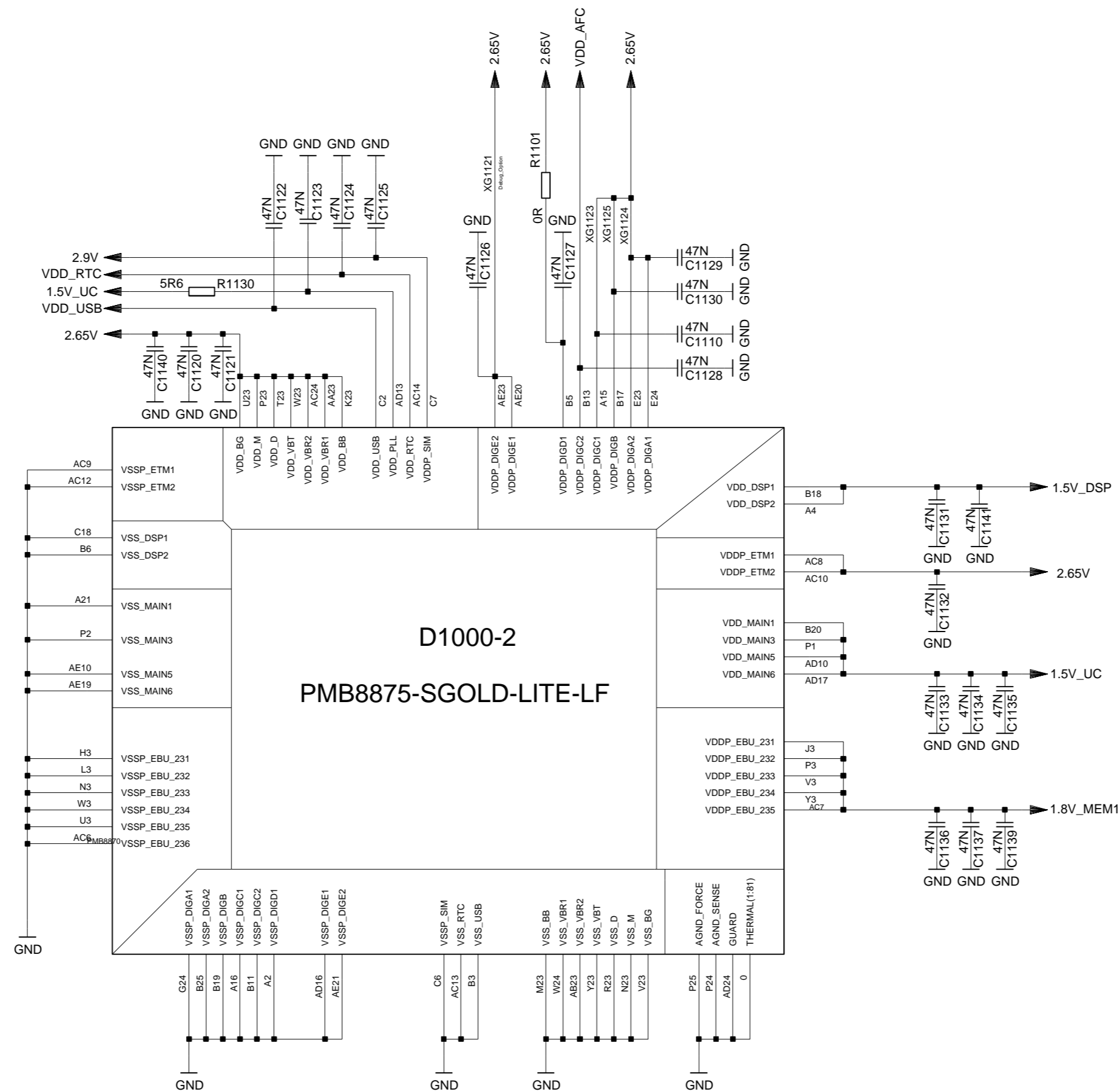
Als Betriebsgeheimnis anvertraut
alle Rechte vorbehalten



DATE	05.07.2004	Phoenix B1+ Board	
USER	Kuehn	Variant V1	
APPR'D		TOP HIERARCHY LEVEL	
		SCHEMATIC	1:1
COM MD PD HW4 ULM			
3	26042	12.04.2005	Kue
2	25048	08.03.2005	Kue
1	22141	12.01.2005	Me
VERS.	CHANGE NUMBER	DATE	NAME
			Siemens AG
			131372
			sheet10
(Created by BOM number: A5B00900172407-26042)			

SGOLDLITE_SUPPLYDOMAIN

1100-1199

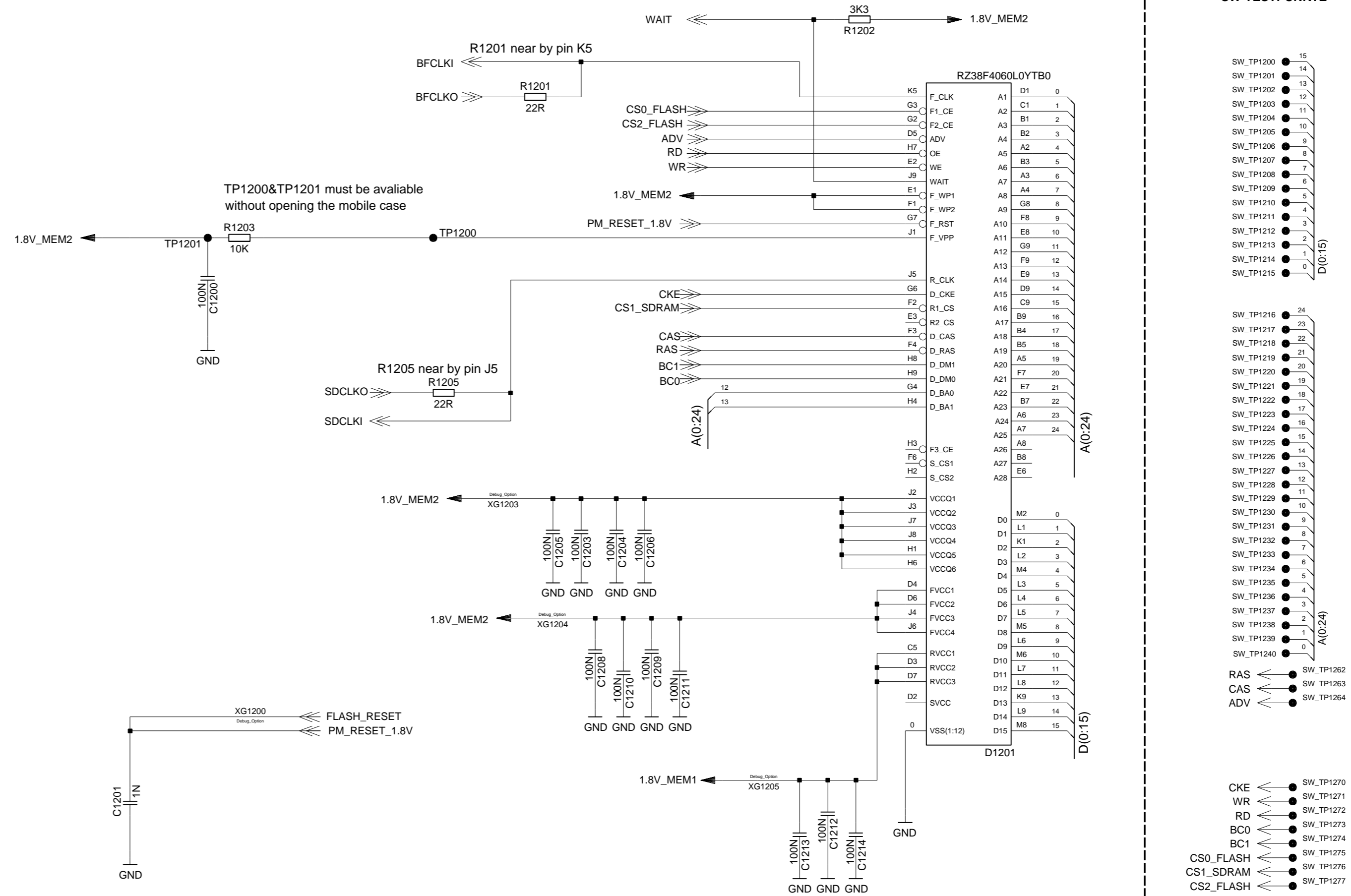


DATE	05.07.2004	Phoenix B1+ Board Variant V1 TOP HIERARCHY LEVEL SCHEMATIC	1:1
USER	Kuehn		
APPR'D			
		COM MD PD HW4 ULM	
3	26042	12.04.2005	Kue
2	25048	08.03.2005	Kue
1	22141	12.01.2005	Me
VERS.	CHANGE NUMBER	DATE	NAME
			Siemens AG
			131372
			sheet11

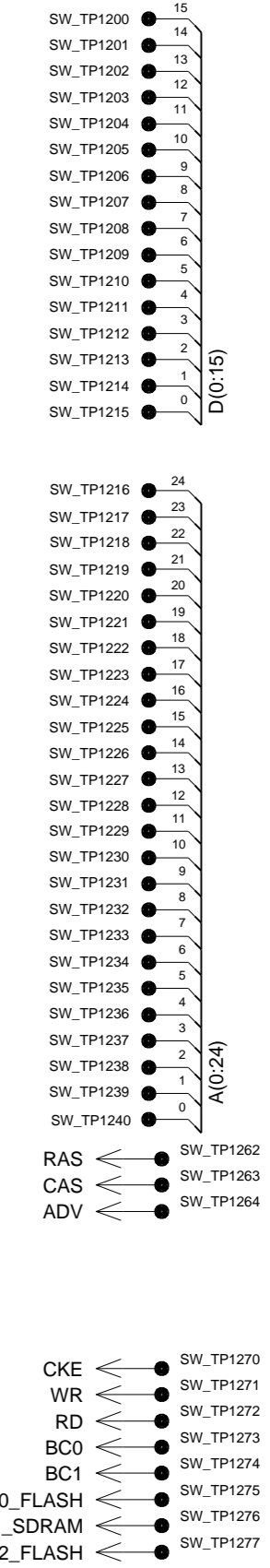
(Created by BOM number: A5B00900172407-26042)

FLASH_SDRAM

1200-1299



SW-TESTPUNKTE



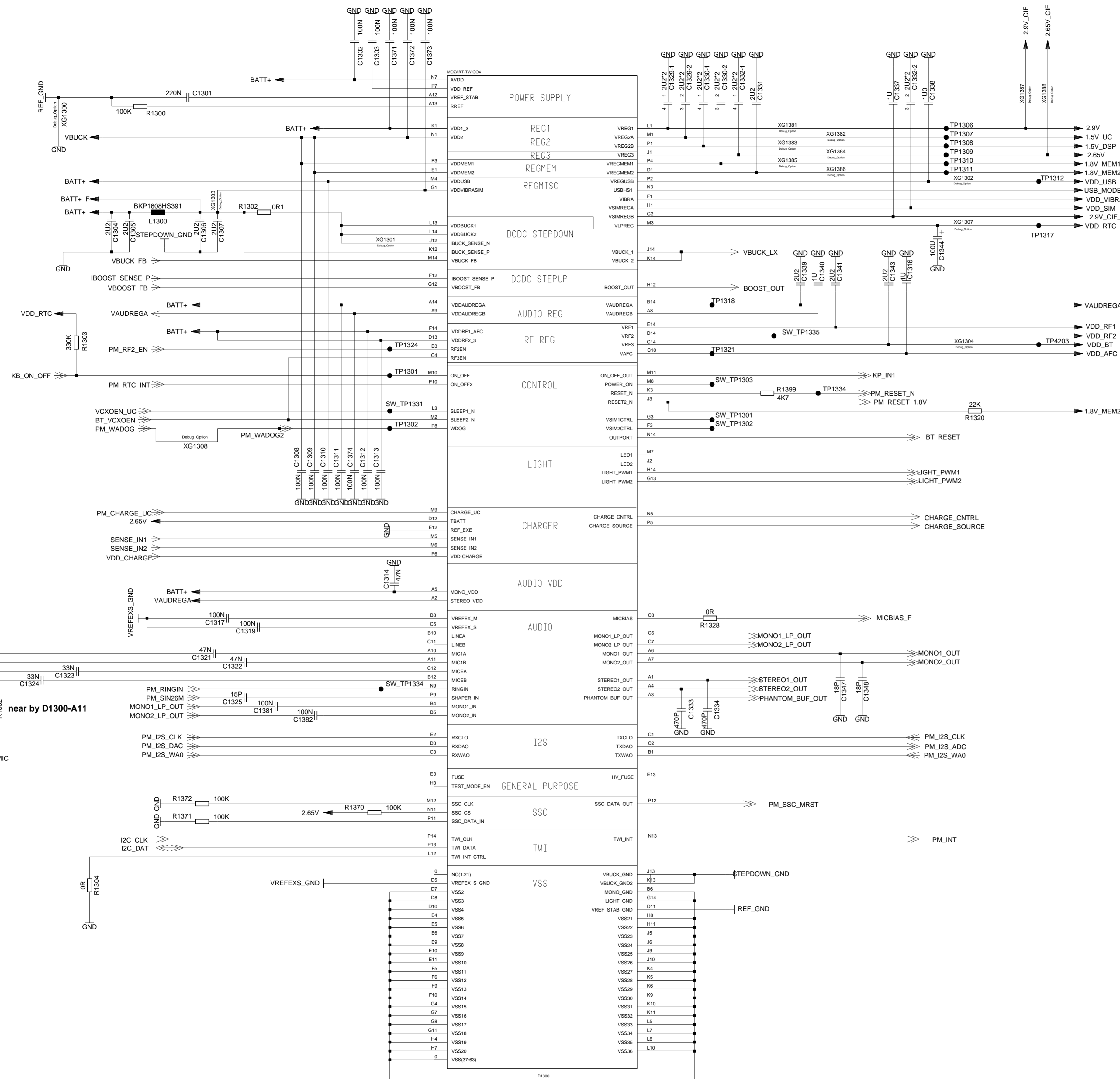
NOTES:

- Place decoupling capacitor to every power ball(VCC,VCCQ) as close as possible, and one capacitor for each ball
- Connect the power plane as short as possible via the decoupling capacitor to the power ball
- Connect ground as close as possible to the decoupling capacitor
- Please avoid branches by routing signals to more than one target(ball),
this means for every signal expecting the power connectivity's. this is very important for the clock signals.
- The BFCLKO&BFCLKI signal is a loop line form SGOLDXXX to the memory and back to SGOLDXXX, so avoid branches here as well. the same applies to SDCLKO & SDCLKI

DATE	05.07.2004	Phoenix B1+ Board	
USER	Kuehn	Variant V1	
APPR'D		TOP HIERARCHY LEVEL	1:1
		SCHMATIC	
COM	MD	PD	HW4
VERS.	CHANGE NUMBER	DATE	NAME
3	26042	12.04.2005	Kue
2	25048	08.03.2005	Kue
1	22141	12.01.2005	Me
Siemens AG		131372	sheet12
(Created by BOM number: A5B00900172407-26042)			

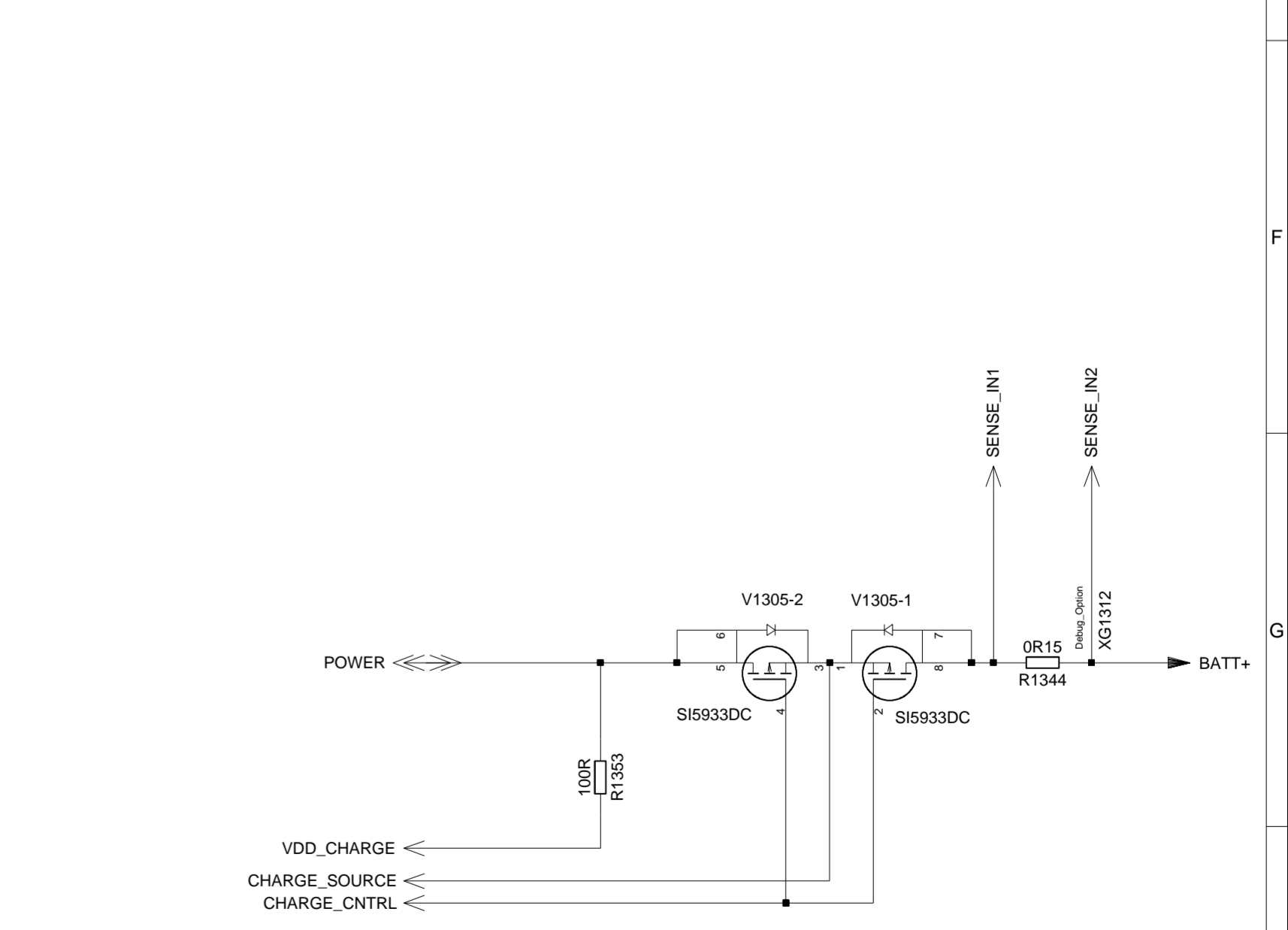
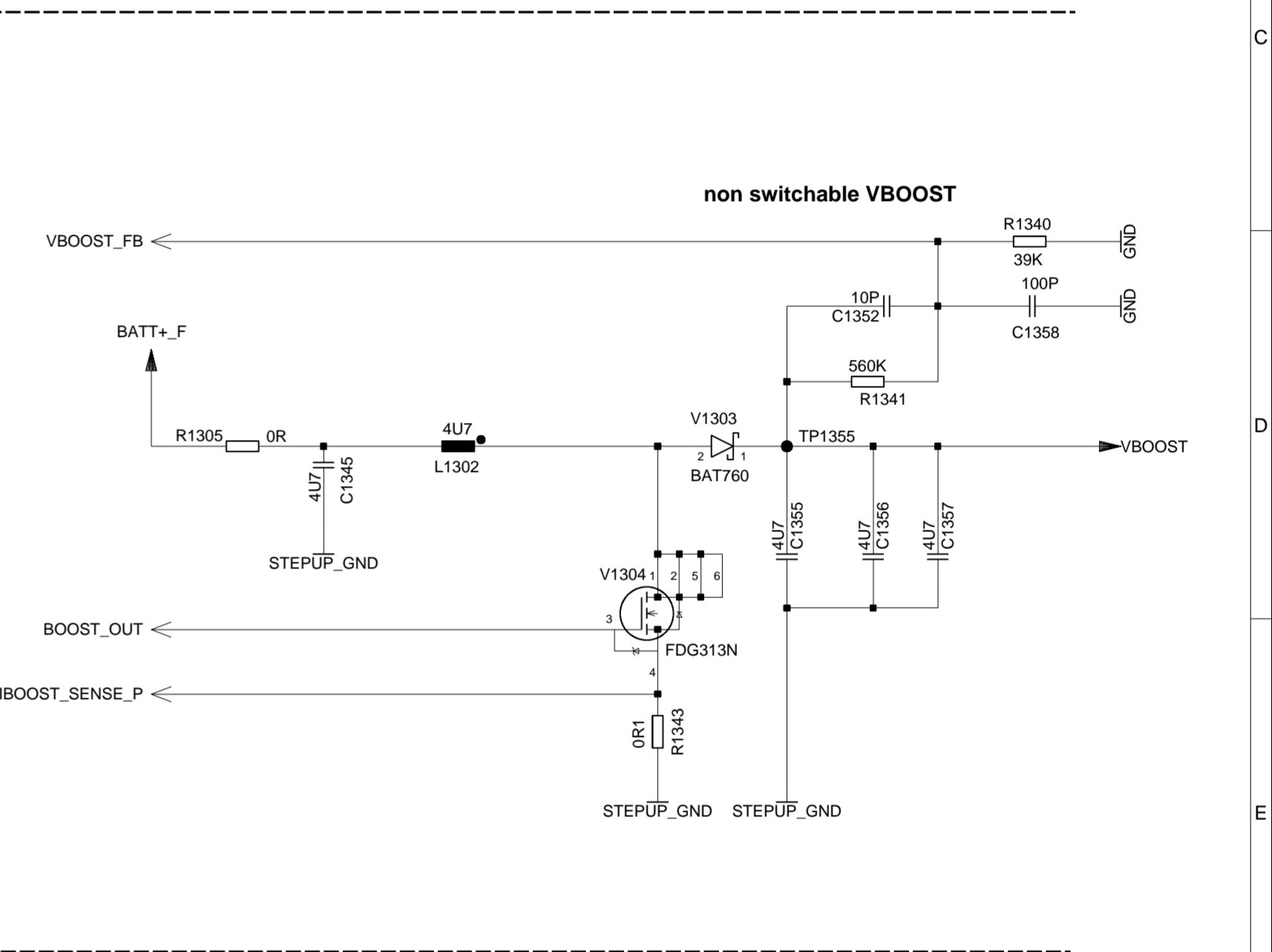
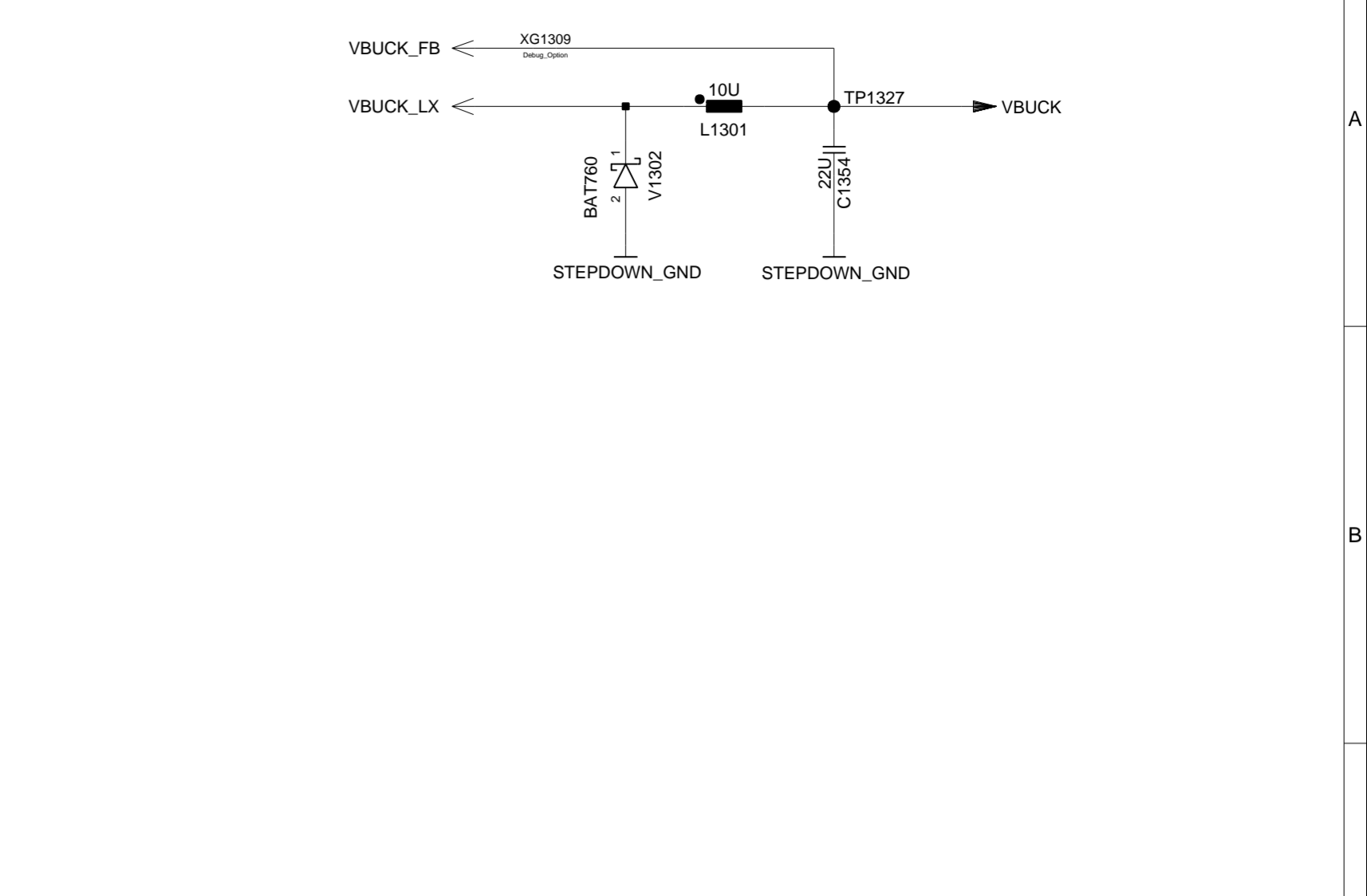
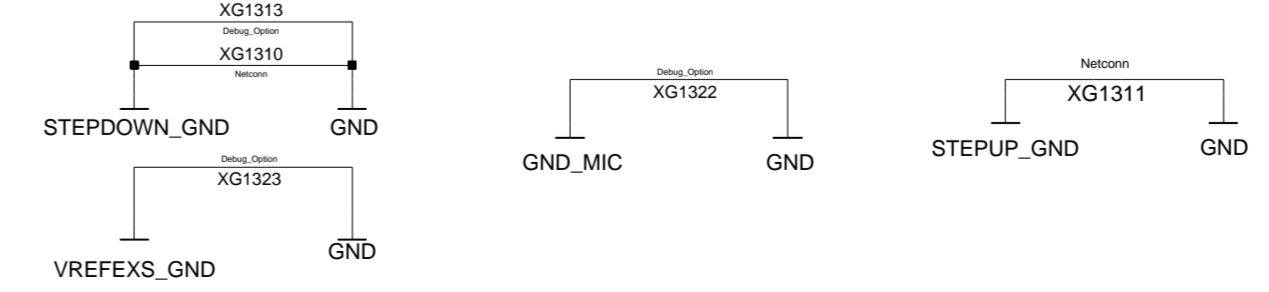
MOZART

1300-1399



pin J13 and K13 has to be connected directly with H11 and K11 without any via

short as possible at the ASIC



Sin nuestra expresa autorización, queda terminantemente prohibida la reproducción total o parcial de este documento, así como su uso indebido y/o su explotación o comunicación terceros. De los infractores se exigirá el correspondiente resarcimiento de daños y perjuicios. Se reserva todos los derechos para el caso de la concesión de patentes de invención o el registro de Modelos Industriales.

Copying of this document, and giving to others and the use or communication of the contents thereof, are forbidden without express authority. Offenders are liable to the payment of damages. All rights are reserved in the event of the grant of a Patent or the registration of a utility model or design.

Wiedergabe sowie Weiterverbreitung dieses Urtextes, Verwertung und Mitteilung ihres Inhalts nicht gestattet, soweit nicht ausdrücklich zugestanden. Zuwiderhandlungen verpflichten zu Schadenersatz. Alle Rechte für den Fall der Patenterteilung oder DM-Eintragung vorbehalten.

DATE	05.07.2004	Phoenix B1+ Board	
USER	Kueflin	Variant V1	
APPRD		TOP HIERARCHY LEVEL	1:1
COM MD PD HW4 ULM		SCHEMATIC	
3	26042	12.04.2005	Kue
2	25048	08.03.2005	Kue
1	22141	12.01.2005	Me
VERS.	CHANGE NUMBER	DATE	NAME
Siemens AG 131372 sheet13			
(Created by BOM number: A5800900172407-28042)			

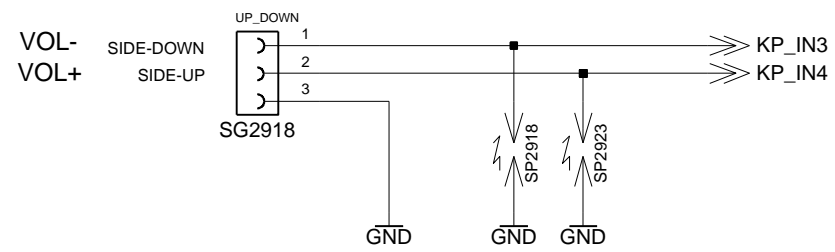
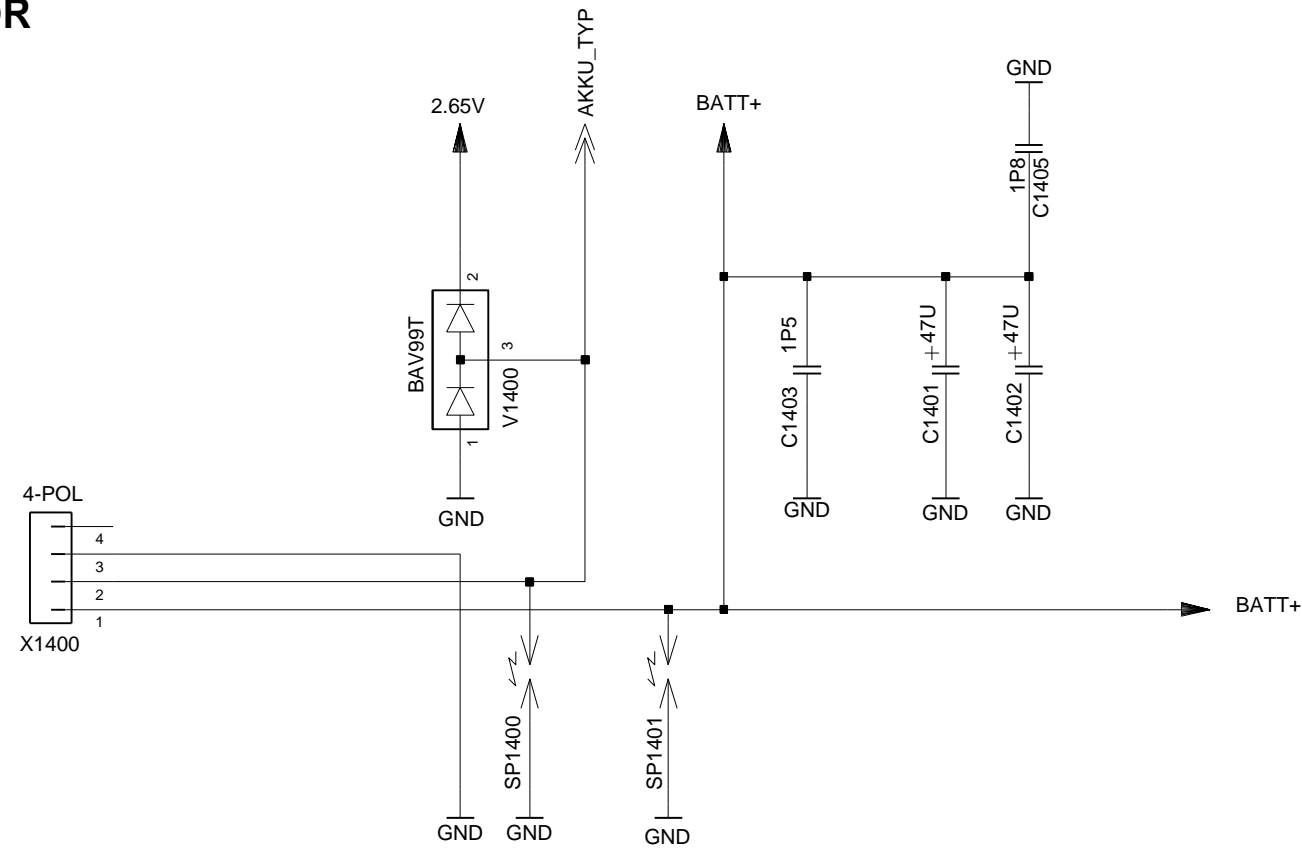
Proprietary data, company confidential.
All rights reserved

Als Betriebsgeheimnis anvertraut
Alle Rechte vorbehalten

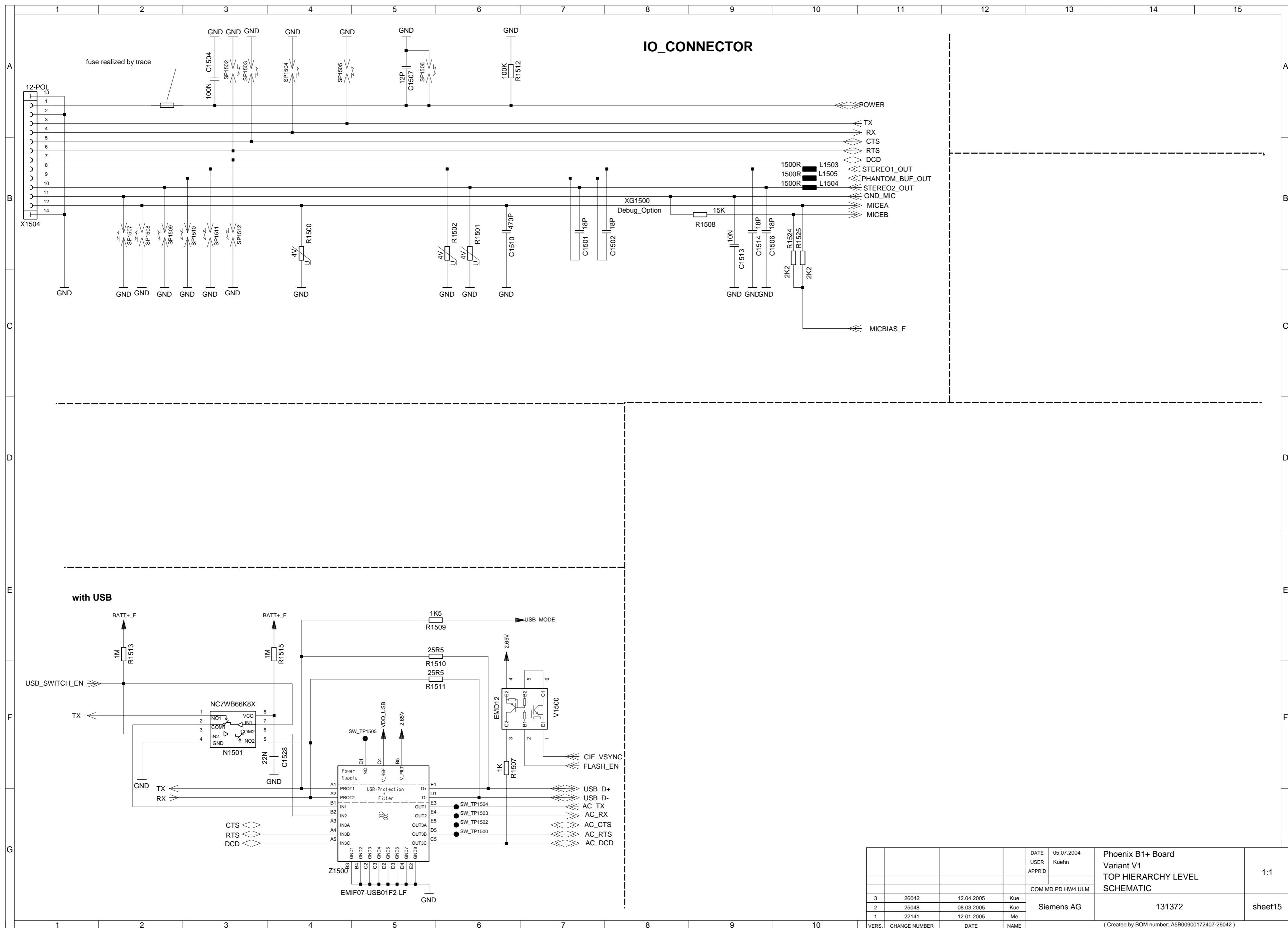
BATTERY_CONNECTOR

1400-1449

see sheet 27



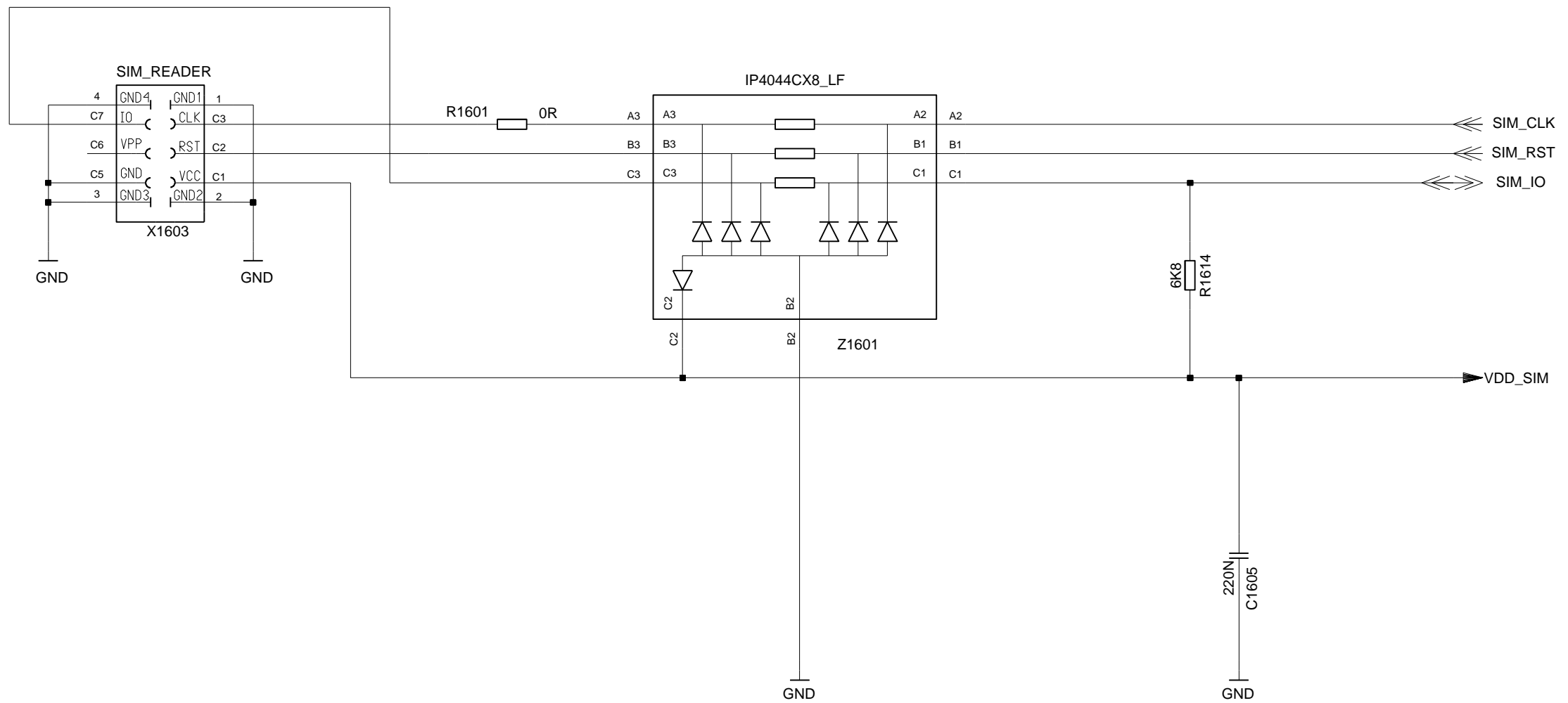
				DATE	05.07.2004	Phoenix B1+ Board Variant V1 TOP HIERARCHY LEVEL SCHEMATIC	1:1
				USER	Kuehn		
				APPR'D			
				COM MD PD HW4 ULM			
3	26042	12.04.2005	Kue	Siemens AG		131372	sheet14
2	25048	08.03.2005	Kue				
1	22141	12.01.2005	Me				
VERS.	CHANGE NUMBER	DATE	NAME	(Created by BOM number: A5B00900172407-26042)			



DATE	05.07.2004	Phoenix B1+ Board		1:1
USER	Kuehn	Variant V1		
APPR'D		TOP HIERARCHY LEVEL		
COM MD PD HW4 ULM				sheet15
3	26042	12.04.2005	Kue	
2	25048	08.03.2005	Kue	
1	22141	12.01.2005	Me	
VERS.	CHANGE NUMBER	DATE	NAME	(Created by BOM number: A5B00900172407-26042)

SIM_CONNECTOR

1600-1659



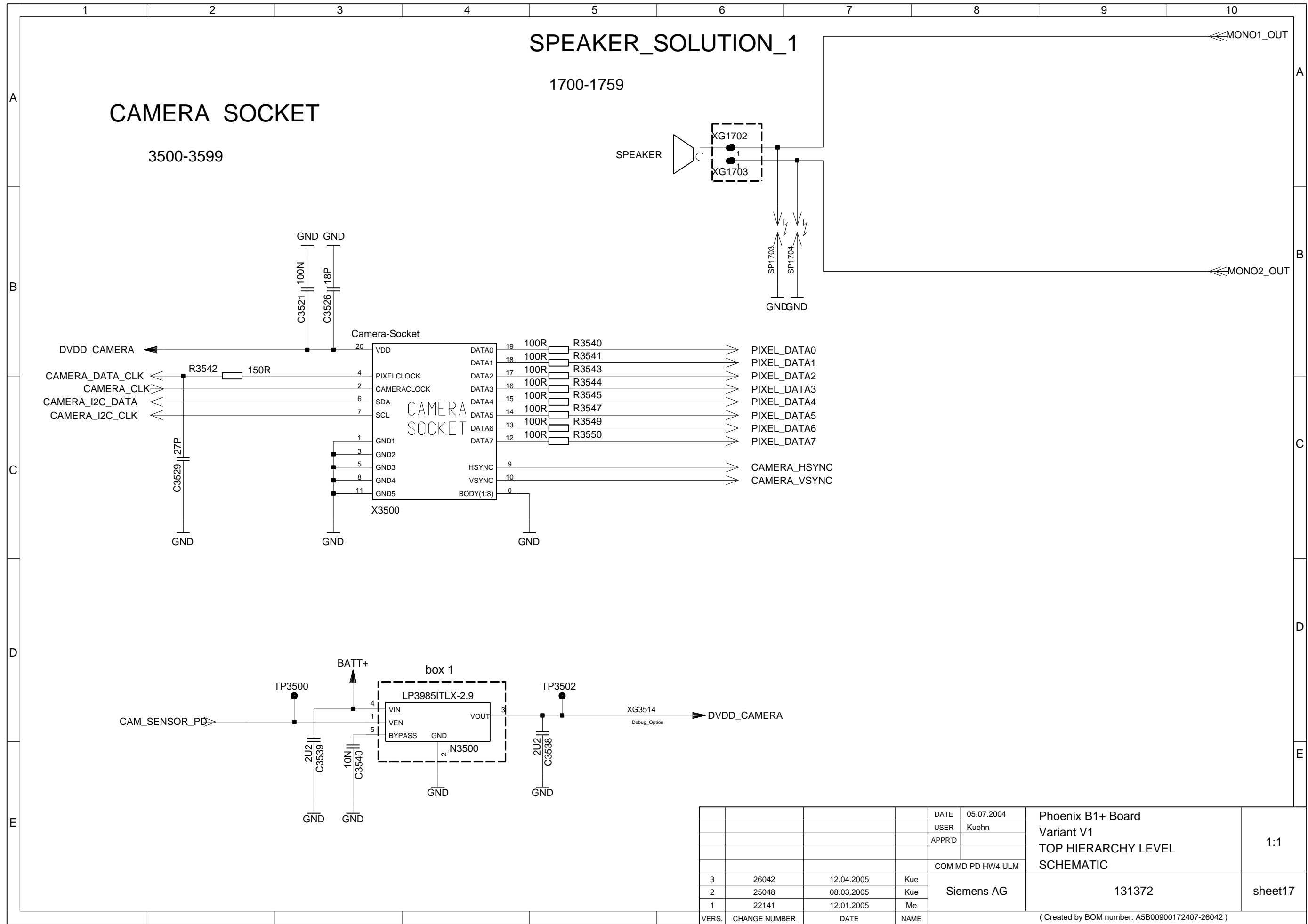
Proprietary data, company confidential.
All rights reserved

Als Betriebsgeheimnis anvertraut
Alle Rechte vorbehalten

				DATE	05.07.2004	Phoenix B1+ Board Variant V1 TOP HIERARCHY LEVEL SCHEMATIC	1:1
				USER	Kuehn		
				APPR'D			
				COM MD PD HW4 ULM			
3	26042	12.04.2005	Kue	Siemens AG		131372	sheet16
2	25048	08.03.2005	Kue				
1	22141	12.01.2005	Me				
VERS.	CHANGE NUMBER	DATE	NAME	(Created by BOM number: A5B00900172407-26042)			

Proprietary data, company confidential.
All rights reserved

Als Betriebsgeheimnis anvertraut
Alle Rechte vorbehalten



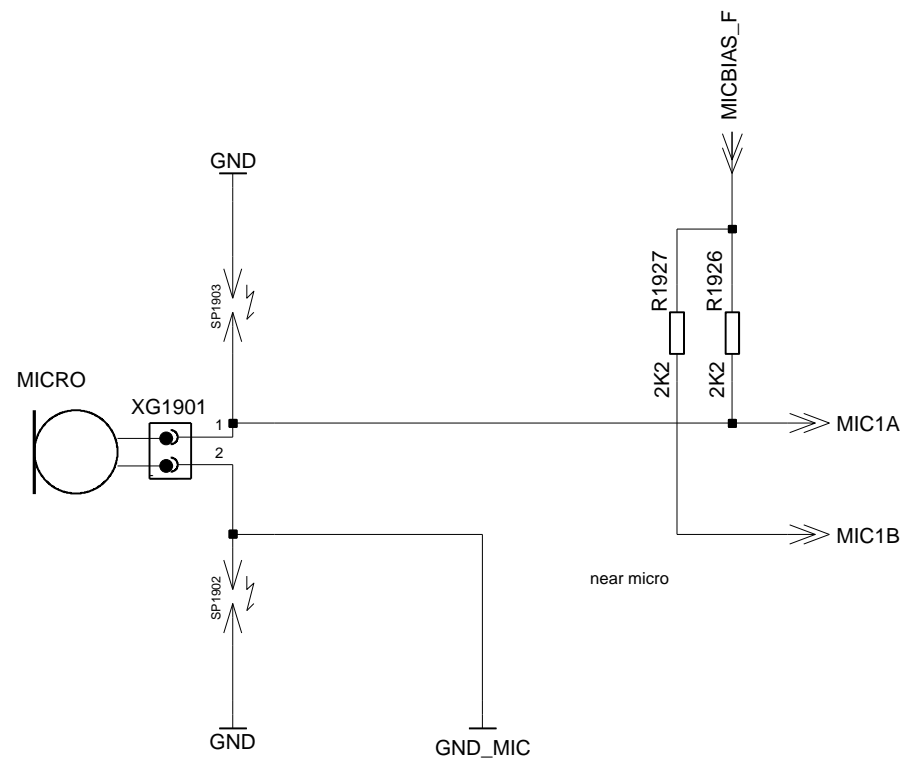
VERS.	CHANGE NUMBER	DATE	NAME	DATE	USER	APPR'D	COM MD PD HW4 ULM	Phoenix B1+ Board Variant V1 TOP HIERARCHY LEVEL SCHEMATIC	1:1
3	26042	12.04.2005	Kue	05.07.2004	Kuehn				
2	25048	08.03.2005	Kue						
1	22141	12.01.2005	Me						
				Siemens AG		131372		sheet17	
(Created by BOM number: A5B00900172407-26042)									

Proprietary data, company confidential.
All rights reserved

Als Betriebsgeheimnis anvertraut
Alle Rechte vorbehalten

MICROPHONE_CIRCUIT_1

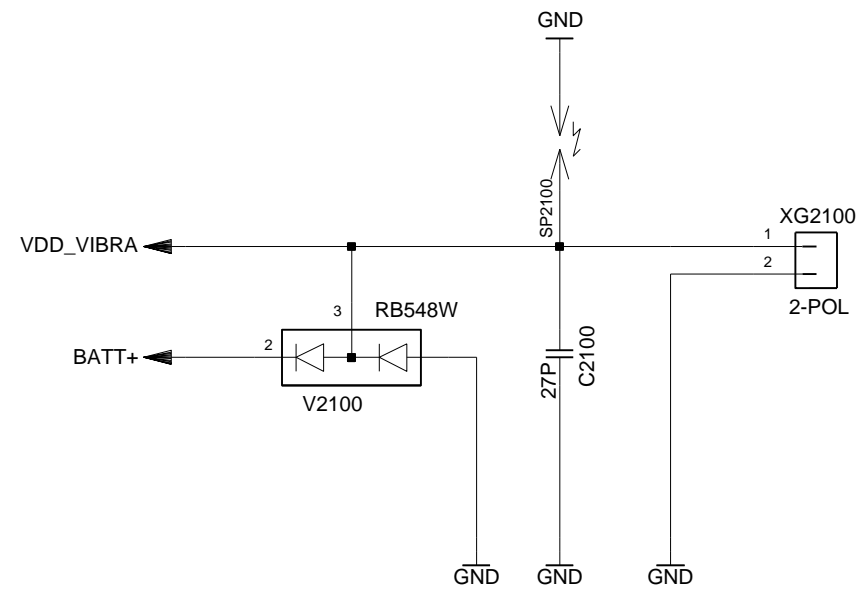
1900-1999



				DATE	05.07.2004	Phoenix B1+ Board Variant V1 TOP HIERARCHY LEVEL SCHEMATIC	1:1
				USER	Kuehn		
				APPR'D			
				COM MD PD HW4 ULM			
3	26042	12.04.2005	Kue	Siemens AG		131372	sheet19
2	25048	08.03.2005	Kue				
1	22141	12.01.2005	Me				
VERS.	CHANGE NUMBER	DATE	NAME	(Created by BOM number: A5B00900172407-26042)			

VIBRA

2100-2125



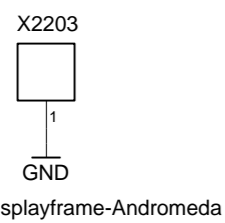
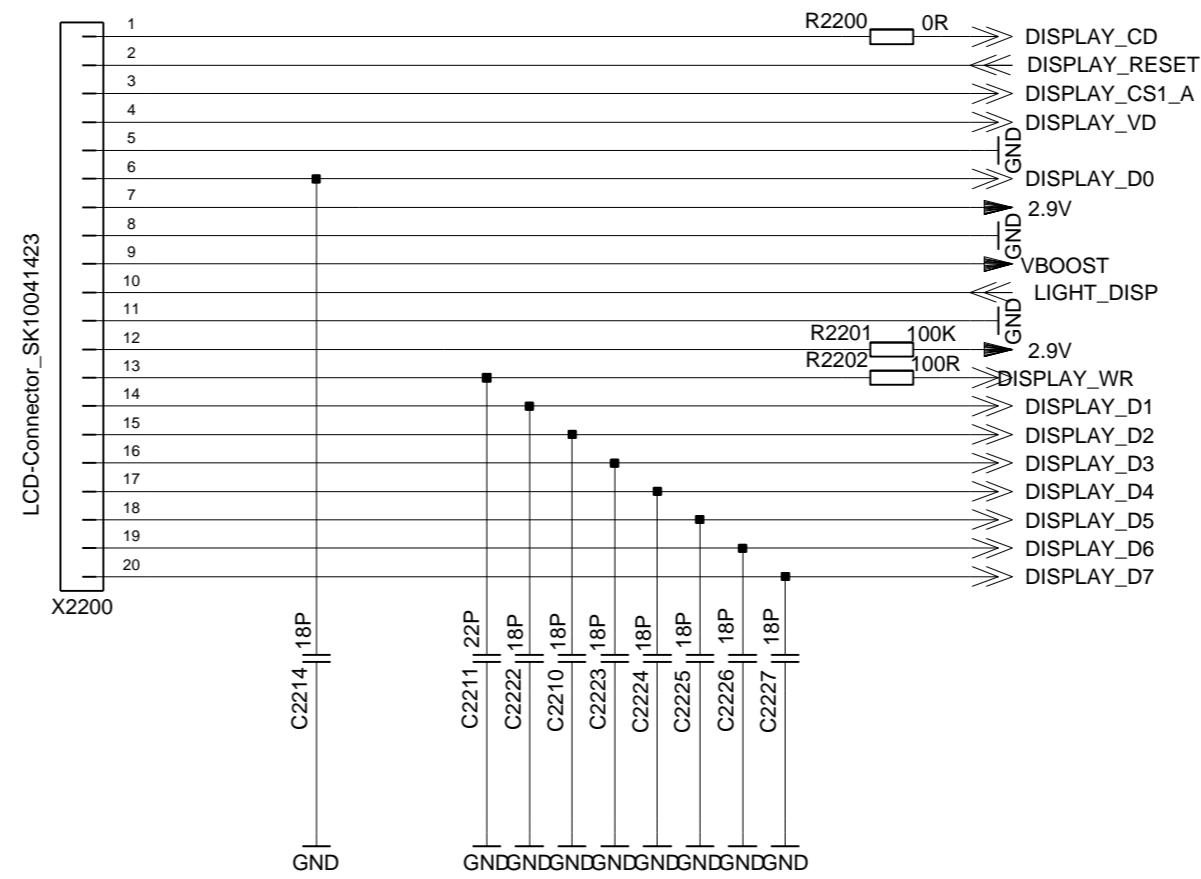
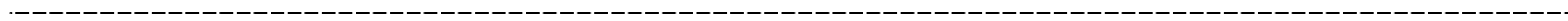
Proprietary data, company confidential.
All rights reserved

Als Betriebsgeheimnis anvertraut
Alle Rechte vorbehalten

				DATE	05.07.2004	Phoenix B1+ Board Variant V1 TOP HIERARCHY LEVEL SCHEMATIC	1:1
				USER	Kuehn		
				APPR'D			
				COM MD PD HW4 ULM			
3	26042	12.04.2005	Kue	Siemens AG		131372	sheet21
2	25048	08.03.2005	Kue				
1	22141	12.01.2005	Me				
VERS.	CHANGE NUMBER	DATE	NAME	(Created by BOM number: A5B00900172407-26042)			

DISPLAY_CONNECTOR

2200-2299



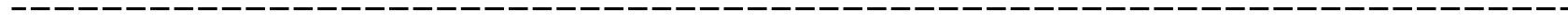
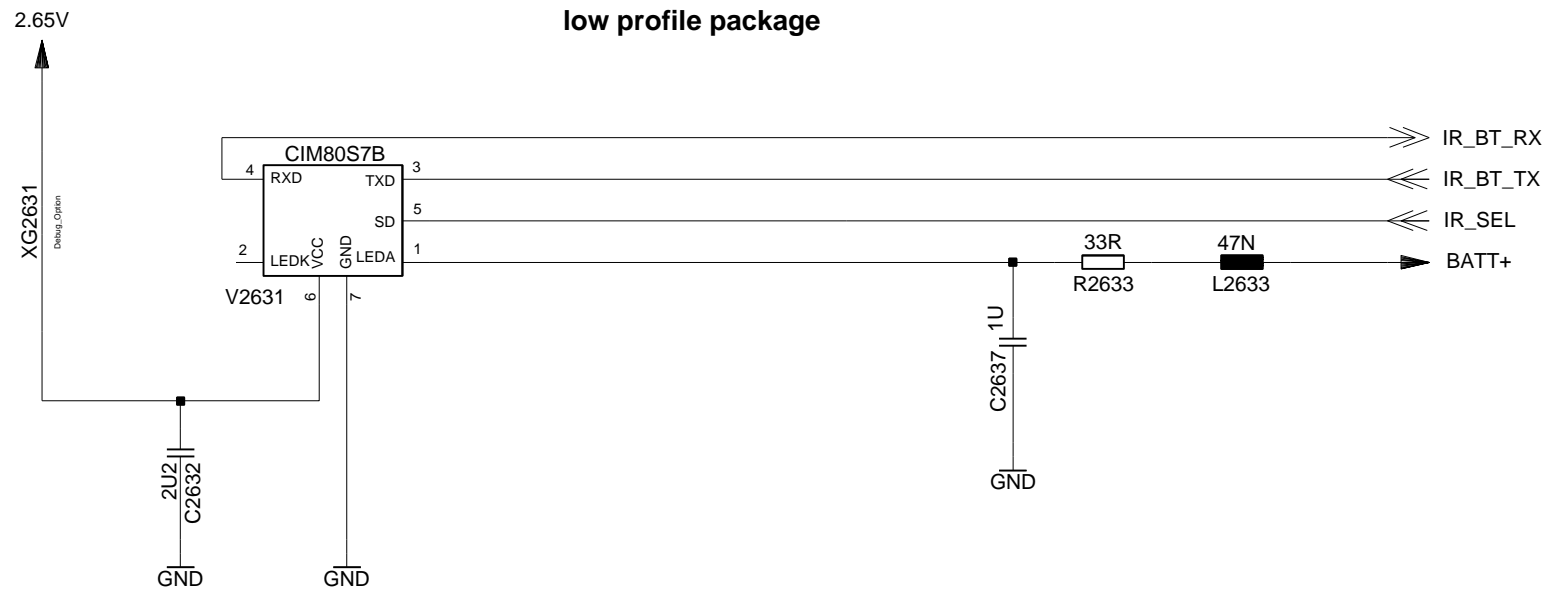
DATE	05.07.2004	Phoenix B1+ Board Variant V1 TOP HIERARCHY LEVEL SCHEMATIC	1:1
USER	Kuehn		
APPR'D			
		COM MD PD HW4 ULM	
3	26042	12.04.2005	Kue
2	25048	08.03.2005	Kue
1	22141	12.01.2005	Me
Siemens AG	131372		sheet22

Proprietary data, company confidential.
All rights reserved

Als Betriebsgeheimnis anvertraut
Alle Rechte vorbehalten

IRDA

2600-2699



				DATE	05.07.2004	Phoenix B1+ Board Variant V1 TOP HIERARCHY LEVEL SCHEMATIC	1:1
				USER	Kuehn		
				APPR'D			
				COM MD PD HW4 ULM		Siemens AG	131372
3	26042	12.04.2005	Kue				
2	25048	08.03.2005	Kue				
1	22141	12.01.2005	Me				
VERS.	CHANGE NUMBER	DATE	NAME				sheet26

(Created by BOM number: A5B00900172407-26042)

Proprietary data, company confidential.
All rights reserved

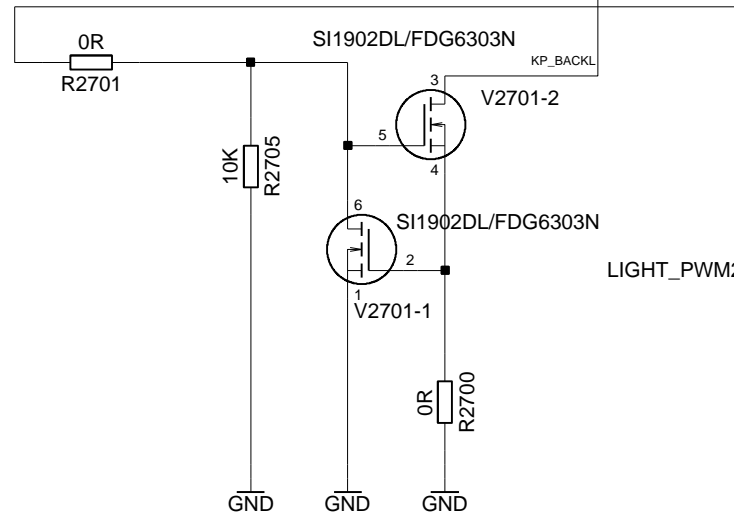
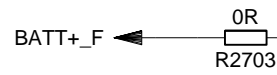
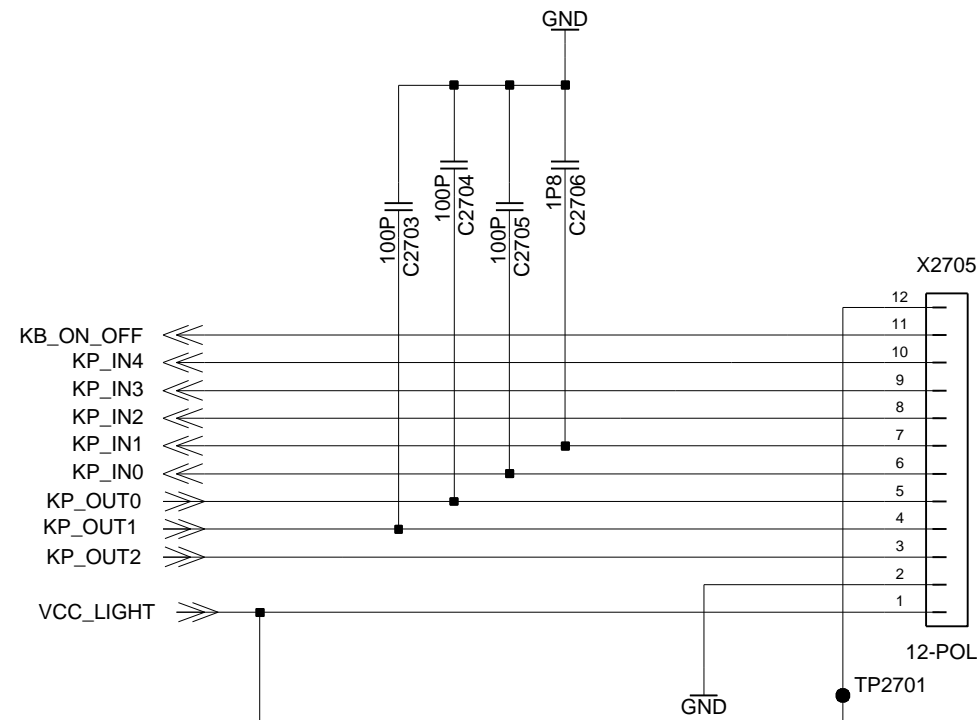
Als Betriebsgeheimnis anvertraut
Alle Rechte vorbehalten

MMI_CONNECTOR

BOARD TO BOARD CONNECTOR

DISPLAY_BACKLIGHT

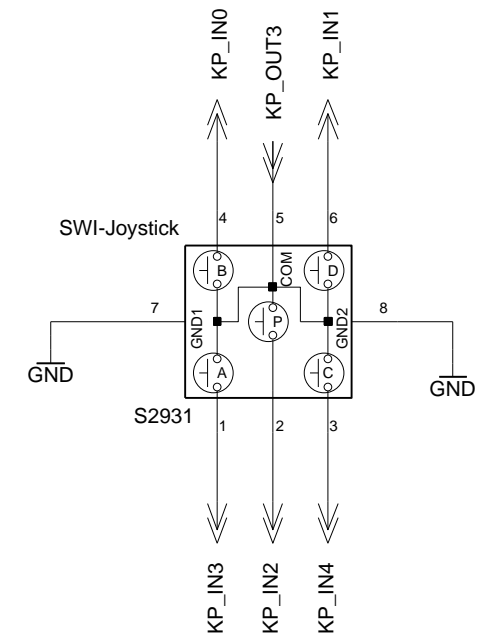
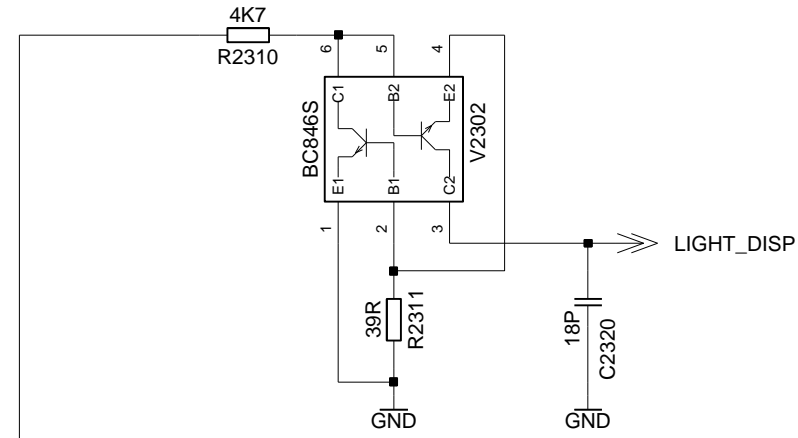
2300-2399



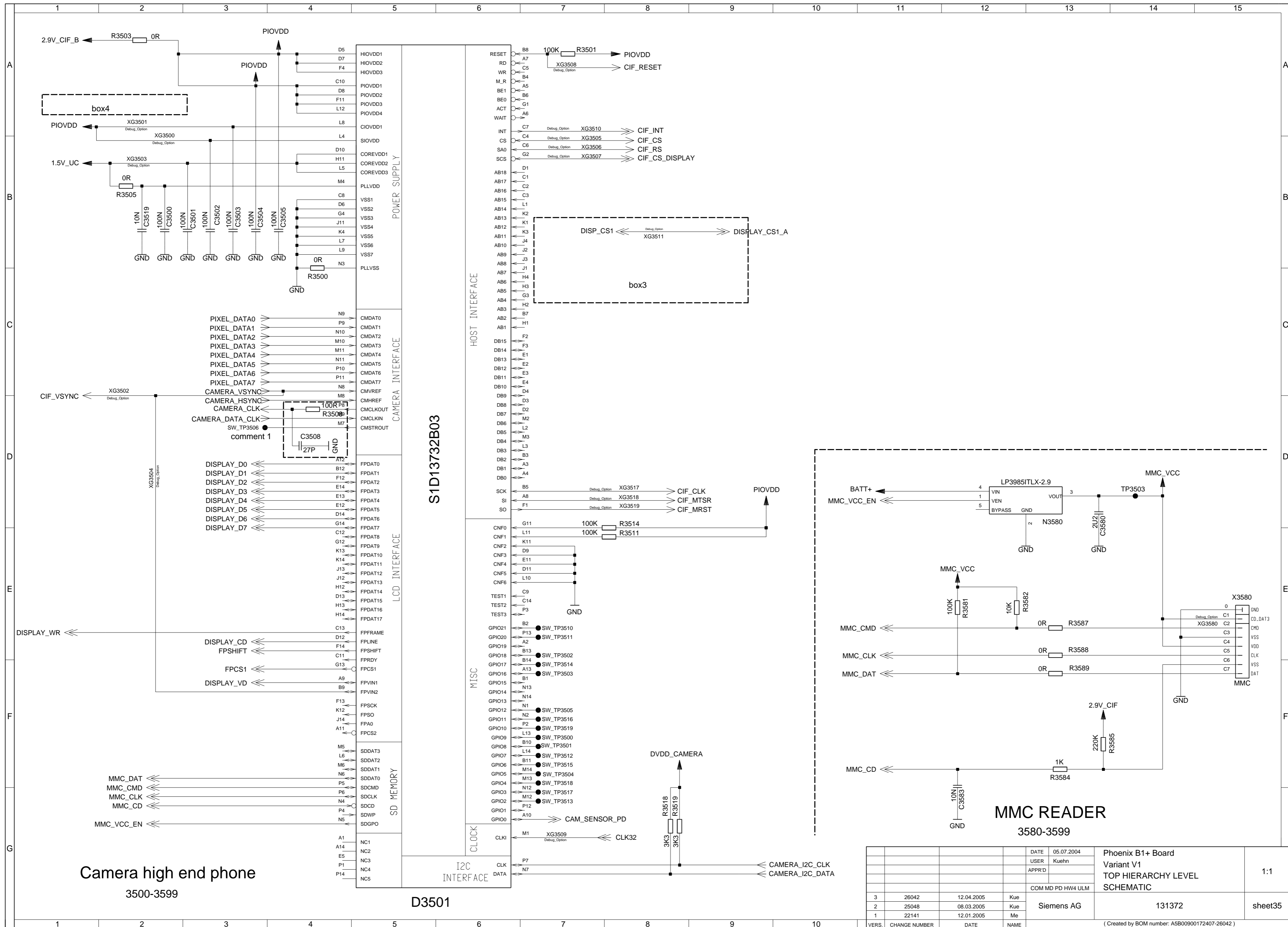
LIGHT_PWM1

LIGHT_PWM2

MAIN_DISPLAY



VERS.	CHANGE NUMBER	DATE	NAME	DATE	05.07.2004	Phoenix B1+ Board Variant V1 TOP HIERARCHY LEVEL SCHEMATIC	1:1
				USER	Kuehn		
				APPR'D			
				COM MD PD HW4 ULM			
3	26042	12.04.2005	Kue	Siemens AG	131372	sheet27	
2	25048	08.03.2005	Kue				
1	22141	12.01.2005	Me				
				(Created by BOM number: A5B00900172407-26042)			



Camera high end phone
3500-3599

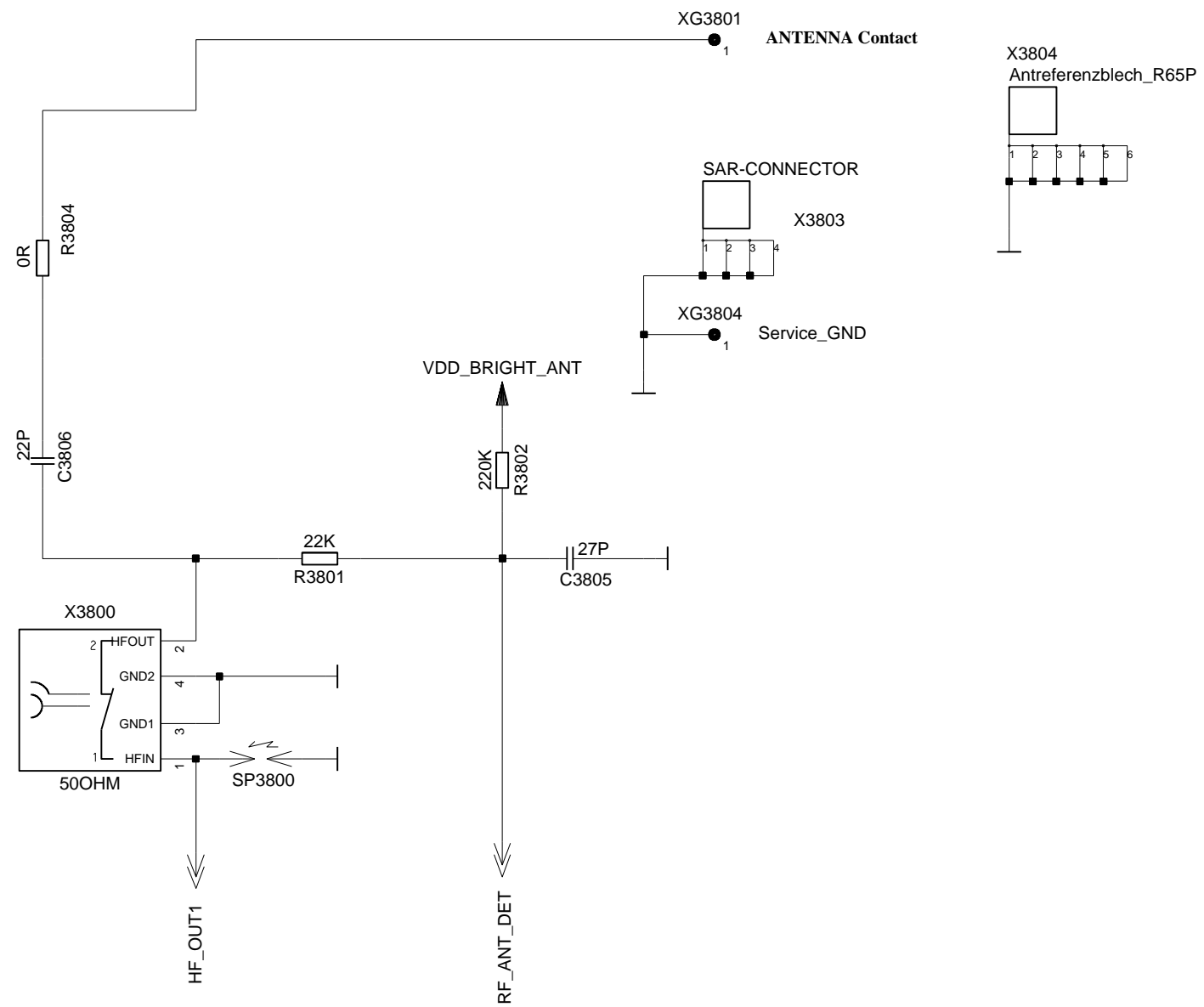
D3501

MMC READER
3580-3599

DATE	05.07.2004	Phoenix B1+ Board	
USER	Kuehn	Variant V1	
APPRD		TOP HIERARCHY LEVEL	1:1
		COM MD PD HW4 ULM	
3	26042	12.04.2005	Kue
2	25048	08.03.2005	Kue
1	22141	12.01.2005	Me
VERS.	CHANGE NUMBER	DATE	NAME
		Siemens AG	
		131372	
		sheet35	
(Created by BOM number: A5B00900172407-26042)			

ANTENNA_CIRCUIT

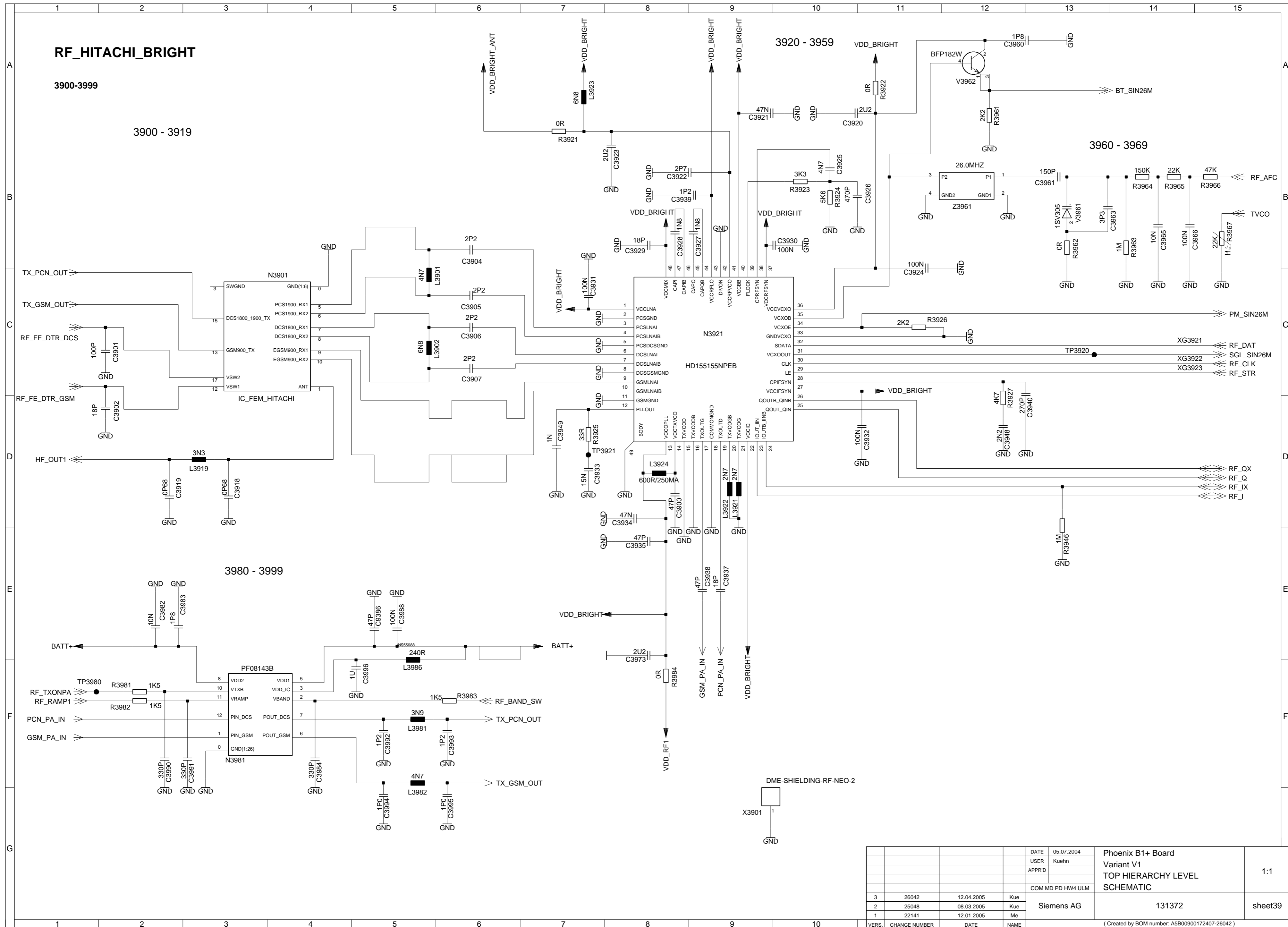
3800-3849



Proprietary data, company confidential.
All rights reserved

Als Betriebsgeheimnis anvertraut
Alle Rechte vorbehalten

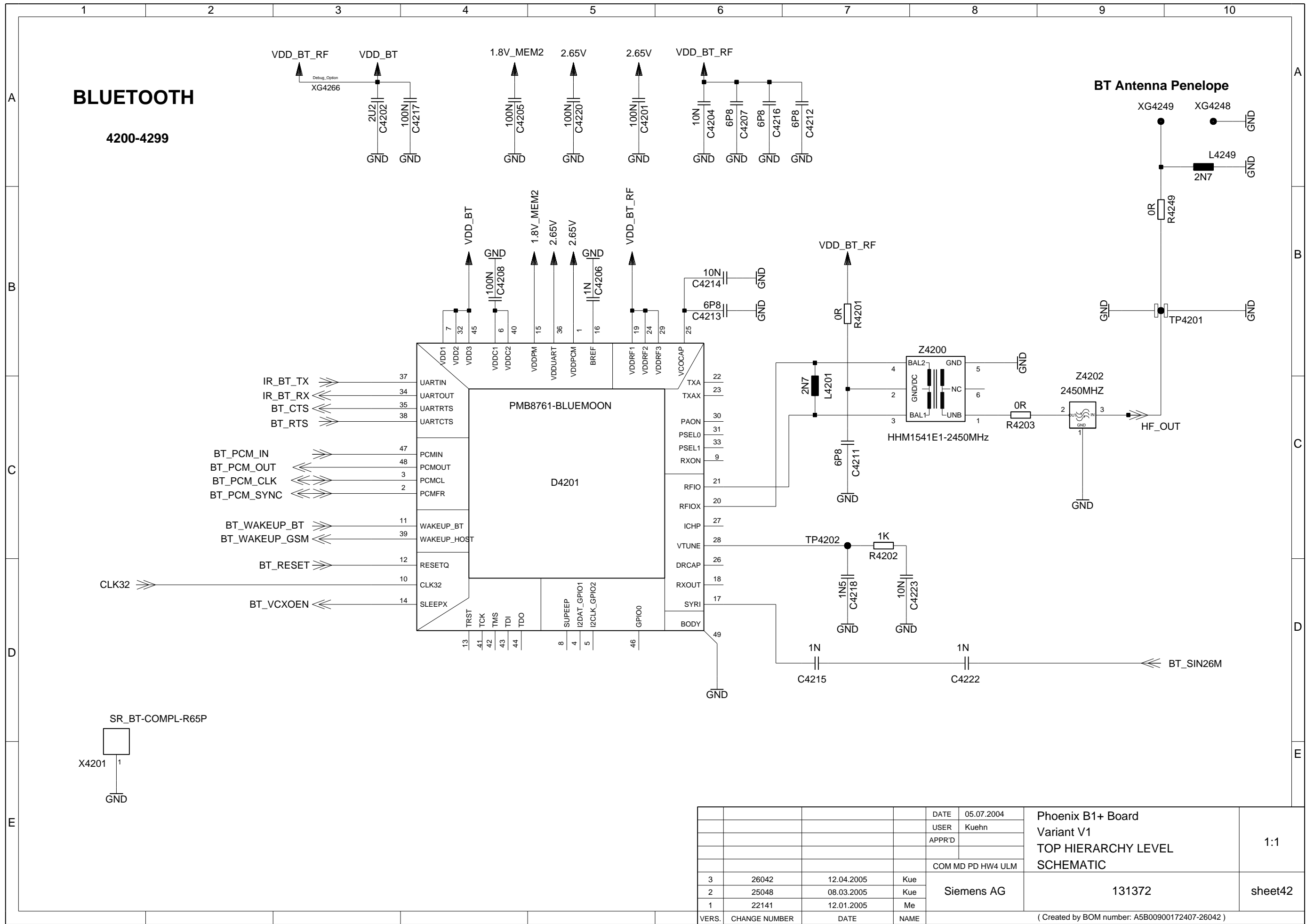
VERS.	CHANGE NUMBER	DATE	NAME	DATE	USER	APPR'D	COM MD PD HW4 ULM	Phoenix B1+ Board Variant V1 TOP HIERARCHY LEVEL SCHEMATIC	1:1
3	26042	12.04.2005	Kue	05.07.2004	Kuehn				
2	25048	08.03.2005	Kue						
1	22141	12.01.2005	Me						
				Siemens AG		131372		sheet38	
(Created by BOM number: A5B00900172407-26042)									



VERS.	CHANGE NUMBER	DATE	NAME	DATE	USER	APPR'D	COM MD PD HW4 ULM	Phoenix B1+ Board Variant V1 TOP HIERARCHY LEVEL SCHEMATIC	1:1
3	26042	12.04.2005	Kue	05.07.2004	Kuehn				
2	25048	08.03.2005	Kue						
1	22141	12.01.2005	Me						
							Siemens AG	131372	sheet39
(Created by BOM number: A5B00900172407-26042)									

Proprietary data, company confidential.
All rights reserved

Als Betriebsgeheimnis anvertraut
Alle Rechte vorbehalten

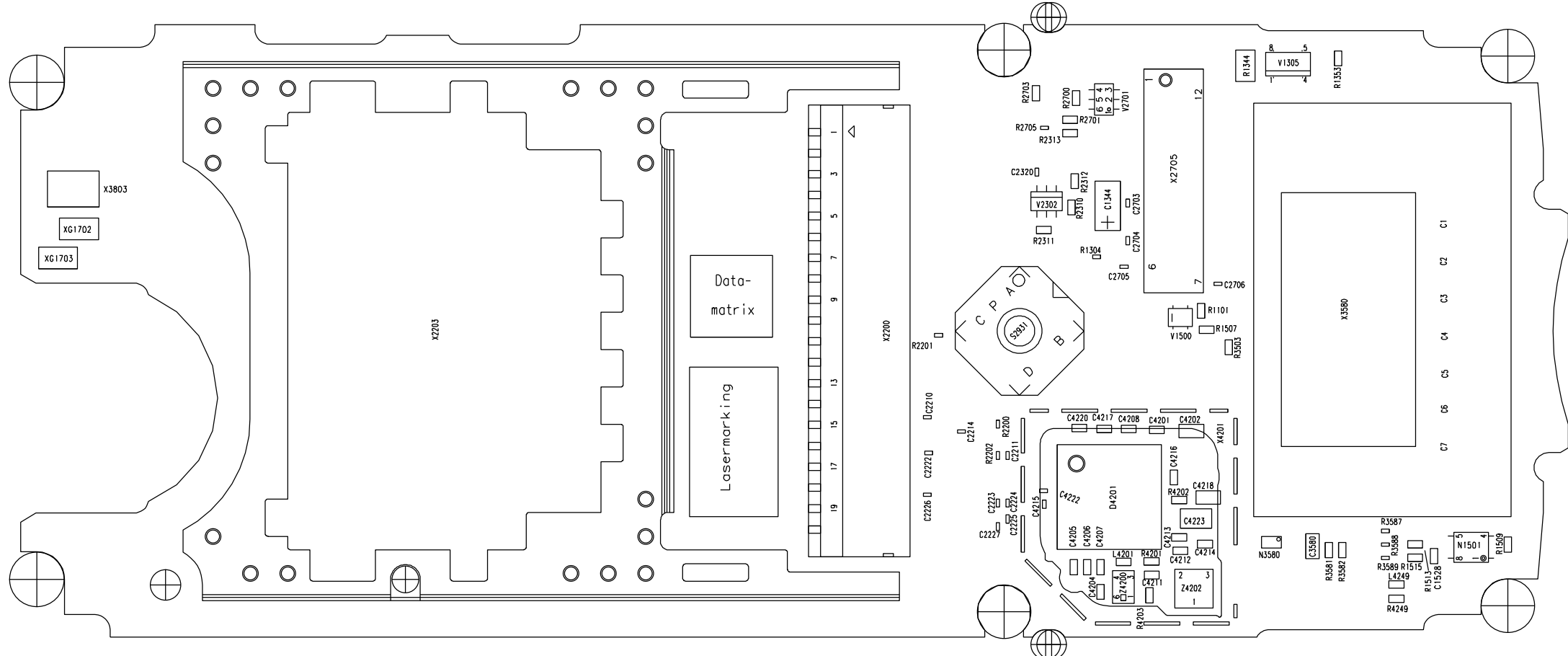


DATE	05.07.2004	Phoenix B1+ Board		1:1
USER	Kuehn	Variant V1		
APPR'D		TOP HIERARCHY LEVEL		
COM MD PD HW4 ULM				sheet42
3	26042	12.04.2005	Kue	
2	25048	08.03.2005	Kue	
1	22141	12.01.2005	Me	
VERS.	CHANGE NUMBER	DATE	NAME	Siemens AG
				131372
(Created by BOM number: A5B00900172407-26042)				

1 2 3 4 5 6 7 8 9 10

A
B
C
D
E

A
B
C
D



C1344	7B	N1501	9C	X2705	7A
C1528	9C	N3580	8C	X3580	9C
C2210	6B	R1101	8B	X3803	2A
C2211	7B	R1304	7B	X4201	8C
C2214	6B	R1344	8A	Z4200	7C
C2222	6B	R1353	8A	Z4202	8C
C2223	7B	R1507	8B		
C2224	7B	R1509	9C		
C2225	7C	R1513	9C		
C2226	6B	R1515	9C		
C2227	7C	R2200	7B		
C2320	7A	R2201	6B		
C2703	7A	R2202	7B		
C2704	7B	R2310	7A		
C2705	7B	R2311	7B		
C2706	8B	R2312	7A		
C3580	8C	R2313	7A		
C4201	7B	R2700	7A		
C4202	8B	R2701	7A		
C4204	7C	R2703	7A		
C4205	7C	R2705	7A		
C4206	7C	R3503	8B		
C4207	7C	R3581	8C		
C4208	7B	R3582	8C		
C4211	7C	R3587	9C		
C4212	7C	R3588	9C		
C4213	7C	R3589	9C		
C4214	8C	R4201	7C		
C4215	7C	R4202	8B		
C4216	7B	R4203	7C		
C4217	7B	R4249	9C		
C4218	8B	S2931	7B		
C4220	7B	V1305	8A		
C4222	7B	V1500	7B		
C4223	8C	V2302	7A		
D4201	7B	V2701	7A		
L4201	7C	X2200	6C		
L4249	9C	X2203	2A		

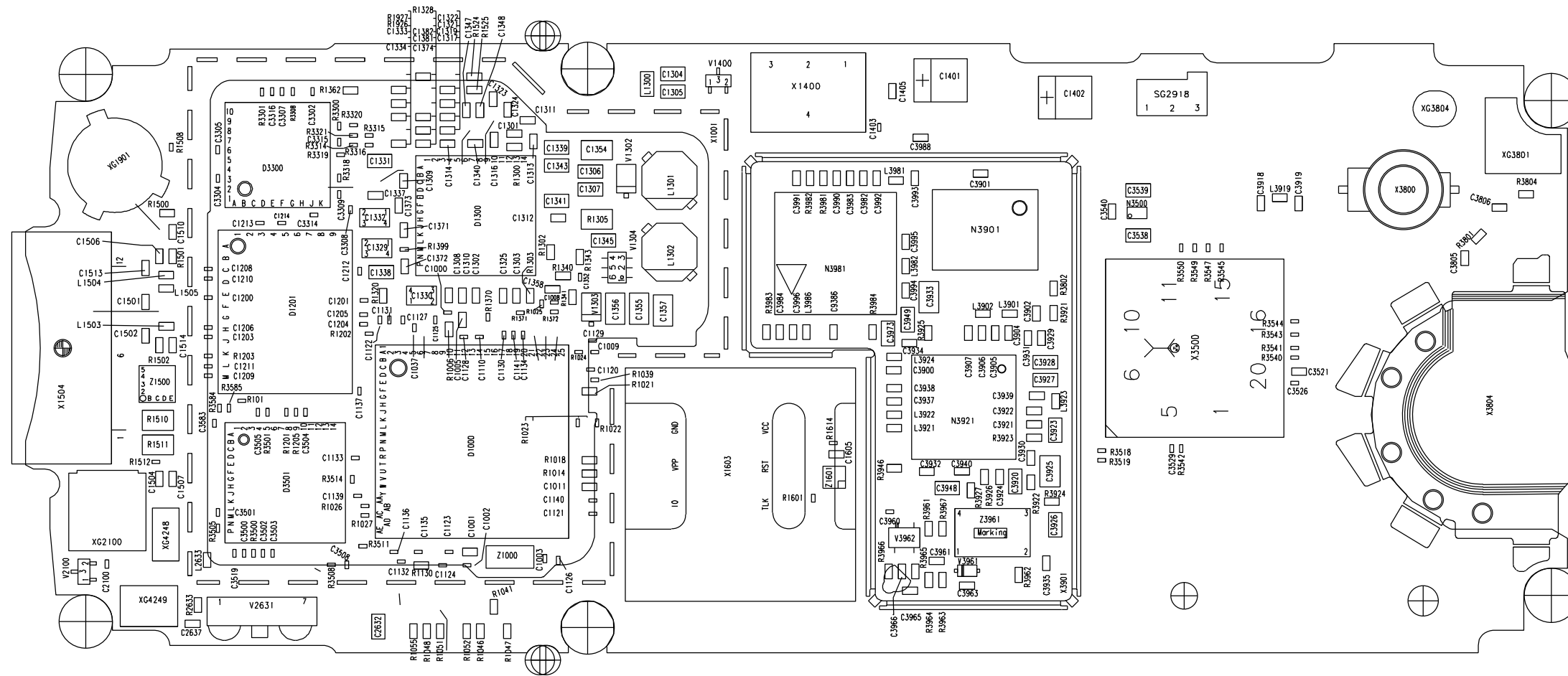
Achtung : Höhenprofil C24- - - - -42 (gilt nur fuer Entwicklung)
Liefervarianten siehe : V24851-Z2000-A1-*-35

			DATE	05.07.2004	Phoenix B1+ Board Variant V1 WIRING DIAGRAM (SOLDER SIDE 1)	3:1
			NAME	Kuehn		
			APPR'D			
			STD			
			COM MD PD HW4 ULM			
3	26042	12.04.2005	Kue		SIEMENS AG	SHEET 1+
2	25048	08.03.2005	Kue			
1	22141	12.01.2005	Me			
VERS.	CHANGE NUMBER	DATE	NAME	(Created by BOM number: A5B00900172407-26042)		

1 2 3 4 5

PROPRIETARY DATA, COMPANY CONFIDENTIAL
ALL RIGHTS RESERVED

ALS BETRIEBSGEHE IMNIS ANVERTRAUT
ALLE RECHTE VORBEHALTEN



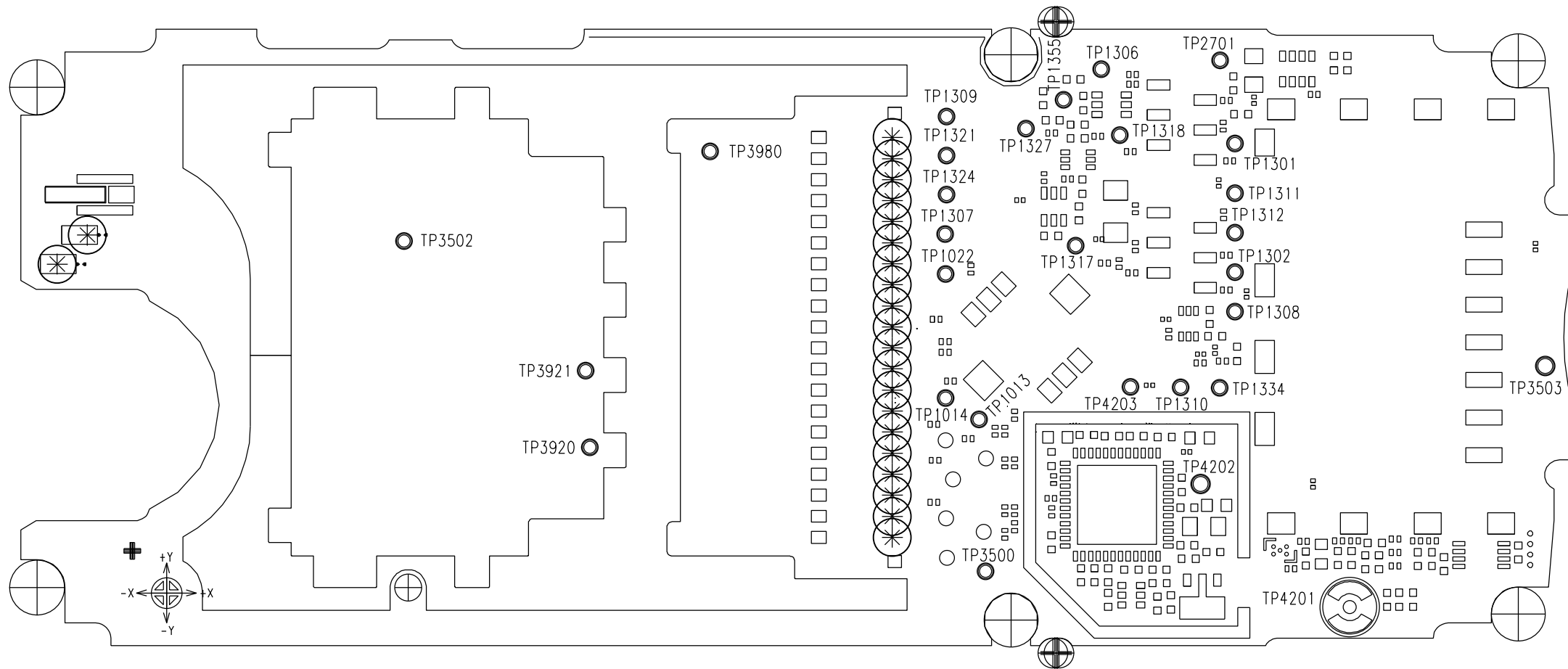
C1000	4B	C1212	3B	C1354	4A	C3505	3B	C3948	6B	L3986	6B	R1372	4B	R3549	8B	X3901	7C
C1001	4C	C1213	3A	C1355	5B	C3508	3C	C3949	6B	N3500	7A	R1399	4B	R3550	8B	Z1000	4C
C1002	4C	C1214	3A	C1356	5B	C3519	3C	C3960	6C	N3901	7A	R1500	2A	R3584	3B	Z1500	2B
C1003	4C	C1301	4A	C1357	5B	C3521	8B	C3961	6C	N3921	7B	R1501	2B	R3585	3B	Z1601	6B
C1005	4B	C1302	4B	C1358	4B	C3526	8B	C3963	7C	N3981	6B	R1502	2B	R3801	9B	Z3961	6C
C1008	4B	C1303	4B	C1371	4A	C3529	8B	C3965	6C	R101	3B	R1508	2A	R3802	7B		
C1009	5B	C1304	5A	C1372	4B	C3538	7B	C3966	6C	R1006	4B	R1510	2B	R3804	9A		
C1011	4B	C1305	5A	C1373	4A	C3539	7A	C3973	6B	R1014	4B	R1511	2B	R3921	7B		
C1037	4B	C1306	4A	C1374	4A	C3540	7A	C3982	6A	R1018	5B	R1512	2B	R3922	7B		
C1110	4B	C1307	4A	C1381	4A	C3583	3B	C3983	6A	R1021	5B	R1524	4A	R3923	7B		
C1120	5B	C1308	4B	C1382	4A	C3805	9B	C3984	6B	R1022	5B	R1525	4A	R3924	7B		
C1121	5C	C1309	4A	C1401	6A	C3806	9A	C3988	6A	R1023	4B	R1601	6B	R3925	6B		
C1122	3B	C1310	4B	C1402	7A	C3900	6B	C3990	6A	R1024	4B	R1614	6B	R3926	7B		
C1123	4C	C1311	4A	C1403	6A	C3901	7A	C3991	6A	R1025	4B	R1926	3A	R3927	7B		
C1124	4C	C1312	4A	C1405	6A	C3902	7B	C3992	6A	R1026	3C	R1927	3A	R3946	6B		
C1125	4B	C1313	4A	C1501	2B	C3903	7B	C3993	6A	R1027	3C	R2633	2C	R3961	6C		
C1126	4C	C1314	4A	C1502	2B	C3905	7B	C3994	6B	R1039	5B	R3300	3A	R3962	7C		
C1127	4B	C1316	4A	C1504	2B	C3906	7B	C3995	6B	R1041	4C	R3301	3A	R3963	7C		
C1128	4B	C1317	4A	C1506	2B	C3907	7B	C3996	6B	R1046	4C	R3308	3A	R3964	6C		
C1129	5B	C1319	4A	C1507	2B	C3918	8A	C9386	6B	R1047	4C	R3314	3A	R3965	6C		
C1130	4B	C1321	4A	C1510	2B	C3919	8A	D1000	3B	R1048	4C	R3315	3A	R3966	6C		
C1131	3B	C1322	4A	C1513	2B	C3920	7B	D1201	3B	R1051	4C	R3316	3A	R3967	6C		
C1132	4C	C1323	4A	C1514	2B	C3921	7B	D1300	4A	R1052	4C	R3318	3A	R3981	6A		
C1133	3B	C1324	4A	C1605	6B	C3922	7B	D3300	3A	R1055	4C	R3319	3A	R3982	6A		
C1134	4B	C1325	4B	C2100	2C	C3923	7B	D3501	3B	R1130	4C	R3320	3A	R3983	5B		
C1135	4C	C1329	3B	C2632	3C	C3924	7B	L1300	5A	R1201	3B	R3321	3A	R3984	6B		
C1136	3C	C1330	4B	C2637	2C	C3925	7B	L1301	5A	R1202	3B	R3500	3C	V1302	5A		
C1137	3B	C1331	3A	C3302	3A	C3926	7C	L1302	5B	R1203	3B	R3501	3B	V1303	5B		
C1139	3B	C1332	3A	C3304	3A	C3927	7B	L1503	2B	R1205	3B	R3505	3C	V1304	5B		
C1140	5B	C1333	3A	C3305	3A	C3928	7B	L1504	2B	R1300	4A	R3508	3C	V1400	5A		
C1141	4B	C1334	3A	C3307	3A	C3929	7B	L1505	2B	R1302	4B	R3511	3C	V2100	2C		
C1200	2B	C1337	3A	C3308	3A	C3930	7B	L2633	3C	R1303	4B	R3514	3B	V2631	3C		
C1201	3B	C1338	3B	C3309	3A	C3931	7B	L3901	7B	R1305	4A	R3518	7B	V3961	6C		
C1203	2B	C1339	4A	C3314	3A	C3932	6B	L3902	7B	R1320	3B	R3519	7B	V3962	6C		
C1204	3B	C1340	4A	C3315	3A	C3933	6B	L3919	8A	R1328	4A	R3540	8B	X1001	2A		
C1205	3B	C1341	4A	C3316	3A	C3934	6B	L3921	6B	R1340	4B	R3541	8B	X1400	6A		
C1206	2B	C1343	4A	C3500	3C	C3935	7C	L3922	6B	R1341	4B	R3542	8B	X1504	2B		
C1208	2B	C1345	5B	C3501	3C	C3937	6B	L3923	7B	R1343	4B	R3543	8B	X1603	6B		
C1209	2B	C1347	4A	C3502	3C	C3938	6B	L3924	6B	R1362	3A	R3544	8B	X3500	7B		
C1210	2B	C1348	4A	C3503	3C	C3939	7B	L3981	6A	R1370	4B	R3545	8B	X3800	8A		
C1211	2B	C1352	4B	C3504	3B	C3940	7B	L3982	6B	R1371	4B	R3547	8B	X3804	9C		

Achtung : Hoehenprofil C24_..._..._42 (gilt nur fuer Entwicklung)
Liefervarianten siehe : V24851-Z2000-A1-*-35

			DATE	05.07.2004	Phoenix B1+ Board Variant V1 WIRING DIAGRAMM (SOLDER SIDE 2)	3:1
			NAME	Kuehn		
			APPR'D			
			STD			
			COM MD PD HW4 ULM			
3	26042	12.04.2005	Kue			
2	25048	08.03.2005	Kue	SIEMENS AG		SHEET
1	22141	12.01.2005	Me		131373	2+
VERS.	CHANGE NUMBER	DATE	NAME	(Created by BOM number: A5B00900172407-26042)		

PROPRIETARY DATA, COMPANY CONFIDENTIAL
ALL RIGHTS RESERVED

ALS BETRIEBSGEHEIMNIS ANVERTRAUT
ALLE RECHTE VORBEHALTEN



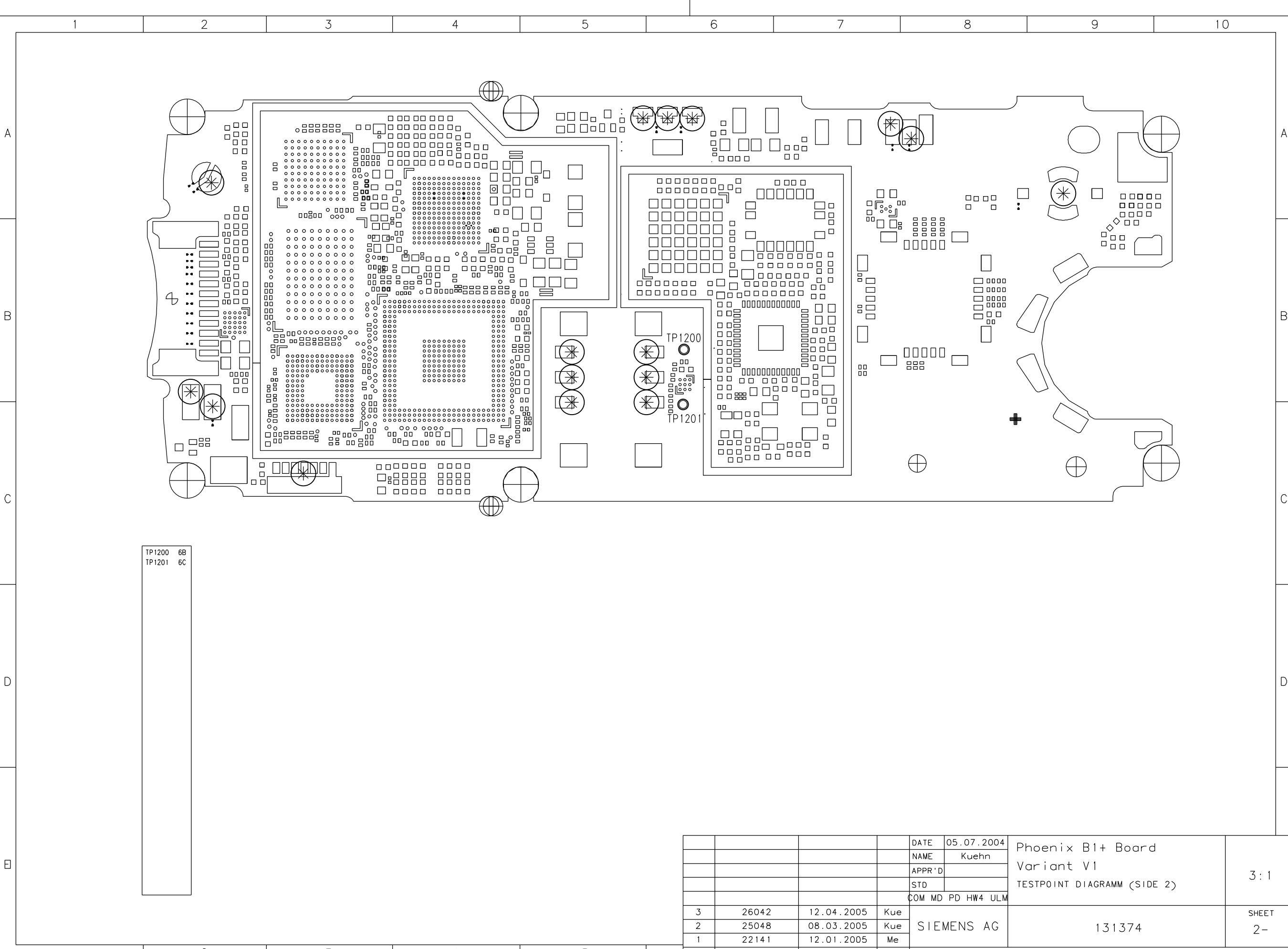
TP1013	6B
TP1014	6B
TP1022	6B
TP1301	8A
TP1302	8B
TP1306	7A
TP1307	6B
TP1308	8B
TP1309	6A
TP1310	7B
TP1311	8A
TP1312	8B
TP1317	7B
TP1318	7A
TP1321	6A
TP1324	6A
TP1327	7A
TP1334	8B
TP1355	7A
TP2701	8A
TP3500	6C
TP3502	3B
TP3503	9B
TP3920	4B
TP3921	4B
TP3980	5A
TP4201	8C
TP4202	8B
TP4203	7B

				DATE	05.07.2004	Phoenix B1+ Board Variant V1 TESTPOINT DIAGRAMM (SIDE 1)	3:1
				NAME	Kuehn		
				APPR'D			
				STD			
				COM MD PD HW4 ULM			
3	26042	12.04.2005	Kue	SIEMENS AG			SHEET 1+
2	25048	08.03.2005	Kue				
1	22141	12.01.2005	Me				
VERS.	CHANGE NUMBER	DATE	NAME	(Created by BOM number: A5B00900172407-26042)			

131374

PROPRIETARY DATA, COMPANY CONFIDENTIAL
ALL RIGHTS RESERVED

ALS BETRIEBSGEHEIMNIS ANVERTRAUT
ALLE RECHTE VORBEHALTEN



TP1200 6B
TP1201 6C

				DATE	05.07.2004	Phoenix B1+ Board Variant V1 TESTPOINT DIAGRAM (SIDE 2)	3:1
				NAME	Kuehn		
				APPR'D			
				STD			
				COM MD PD HW4 ULM			
3	26042	12.04.2005	Kue	SIEMENS AG			SHEET 2-
2	25048	08.03.2005	Kue				
1	22141	12.01.2005	Me				
VERS.	CHANGE NUMBER	DATE	NAME	(Created by BOM number: A5B00900172407-26042)			

131374