

Proprietary data, Company confidential.
all rights reserved

Als Betriebsgeheimnis anvertraut
alle Rechte vorbehalten

	1	2	3	4	5	6	7	8	9	10	11	12	13	14	15
A						HIERARCHY			SHEET		PDF-SHEET				
						A5B00900164484-25593_050728			index		sheet 1				
B									netlist1		sheet 2				
									netlist2		sheet 3				
									poslist1		sheet 4				
									page1		----				
									sheet1		sheet 5				
									sheet2		sheet 6				
									sheet4		sheet 7				
									sheet10		sheet 8				
									sheet11		sheet 9				
									sheet12		sheet 10				
									sheet13		sheet 11				
									sheet14		sheet 12				
									sheet15		sheet 13				
									sheet16		sheet 14				
									sheet17		sheet 15				
									sheet19		sheet 16				
									sheet21		sheet 17				
									sheet22		sheet 18				
									sheet23		sheet 19				
									sheet26		sheet 20				
									sheet27		sheet 21				
									sheet35		sheet 22				
									sheet38		sheet 23				
									sheet39		sheet 24				
									sheet48		sheet 25				
									sheet49		sheet 26				
									sheet51		sheet 27				
									sheet54		sheet 28				
C															
D															
E															
F															
G															

VERS.	CHANGE NUMBER	DATE	NAME	DATE	USER	MP PD HW 4 KLF	Siemens AG	X75 Minos B2 Variante 1 TOP HIERARCHY LEVEL SCHEMATIC	1:1
8	29606	28.07.2005	Lge	03.06.2004	USER				
7	28754	24.06.2005	Lge		APPRD				
6	27378	19.05.2005	Lge						
5	25595	13.05.2005	Lge						
4	23115	23.02.2005	Lge						
3		13.01.2005	LGE						
2		01.12.2004	LGE						
								90877	index

(Created by BOM number: A5B00900164465-29606)

Proprietary data, company confidential.
All rights reserved

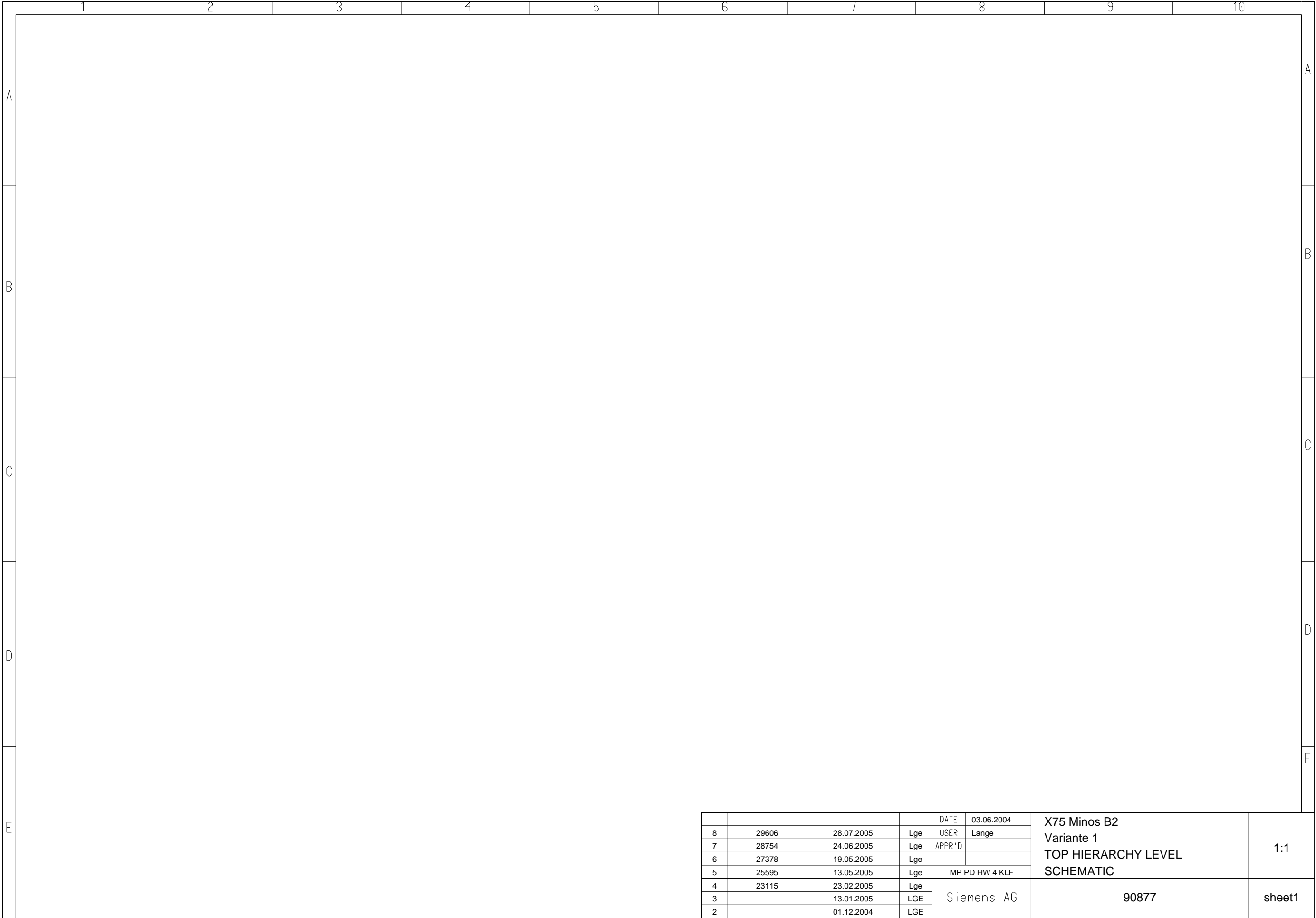
Als Betriebsgeheimnis anvertraut
Alle Rechte vorbehalten

1	2	3	4	5
/sheet13 3 C	/sheet13 8 B /sheet11 7 A			
VBAT	VDD_VIBRA			
/sheet10 11 B	/sheet13 8 B			
/sheet10 15 F	/sheet21 4 C			
VBOOST	VREFEXS_GND			
/sheet13 12 D	/sheet13 2 E			
/sheet4 9 B	/sheet13 4 F			
/sheet4 12 B				
/sheet22 9 B	VSIM1CTRL			
/sheet27 2 C	/sheet13 9 B			
/sheet49 8 A	/sheet13 7 D			
VBUCK	WAIT			
/sheet13 12 A	/sheet10 6 G			
VBUCK_FB	/sheet12 11 A			
/sheet13 10 A				
/sheet13 2 C	WR			
VBUCK_LX	/sheet10 7 G			
/sheet13 10 A	/sheet12 15 E			
/sheet13 6 B	/sheet12 11 B			
VCXOEN_UC				
/sheet13 2 C				
/sheet10 4 F				
VDD_AFC				
/sheet13 8 C				
/sheet11 4 A				
VDD_BT				
/sheet13 8 C				
/sheet4 14 F				
/sheet51 4 B				
/sheet51 2 A				
VDD_BT_RF2				
/sheet51 1 A				
/sheet51 5 B				
VDD_CHARGE				
/sheet13 2 D				
/sheet13 10 G				
VDD_RF1				
/sheet13 8 C				
/sheet4 4 D				
/sheet4 2 D				
/sheet39 10 B				
/sheet39 1 A				
/sheet39 13 B				
VDD_RF2				
/sheet13 8 C				
/sheet4 2 D				
/sheet4 4 D				
/sheet39 1 B				
/sheet39 1 E				
/sheet38 6 E				
/sheet38 5 B				
VDD_RTC				
/sheet13 8 B				
/sheet13 2 C				
/sheet11 7 A				
VDD_SIM				
/sheet16 10 C				
/sheet13 8 B				
VDD_USB				

				DATE	03.06.2004	X75 Minos B2 Variante 1 TOP HIERARCHY LEVEL SCHEMATIC	1:1
8	29606	28.07.2005	Lge	USER	Lange		
7	28754	24.06.2005	Lge	APPR'D			
6	27378	19.05.2005	Lge				
5	25595	13.05.2005	Lge		MP PD HW 4 KLF		
4	23115	23.02.2005	Lge			90877	netlist2
3		13.01.2005	LGE	Siemens AG			
2		01.12.2004	LGE				
VERS.	CHANGE NUMBER	DATE	NAME	(Created by BOM number: A5B00900164465-29606)			

Proprietary data, company confidential.
All rights reserved

Als Betriebsgeheimnis anvertraut
Alle Rechte vorbehalten



VERS.	CHANGE NUMBER	DATE	NAME	DATE	03.06.2004	X75 Minos B2 Variante 1 TOP HIERARCHY LEVEL SCHEMATIC	1:1
8	29606	28.07.2005	Lge	USER	Lange		
7	28754	24.06.2005	Lge	APPR'D			
6	27378	19.05.2005	Lge				
5	25595	13.05.2005	Lge	MP PD HW 4 KLF			
4	23115	23.02.2005	Lge	Siemens AG			
3		13.01.2005	LGE				
2		01.12.2004	LGE				
						90877	sheet1
(Created by BOM number: A5B00900164465-29606)							

Proprietary data. Company confidential.
all rights reserved

Als Betriebsgeheimnis anvertraut
alle Rechte vorbehalten

TABLE_OF_CONTENTS_PLATFORM

PAGE	BLOCK	STATUS
1	TOP HIERARCHICAL OVERVIEW	EMPTY
2	TABLE OF CONTENTS PLATFORM	
3	TABLE OF CONTENTS PROJECT	EMPTY
4	DEFINITION OF HIT POINTS	
5-8	DEFINITION OF HIT POINTS	EMPTY
9	DEBUG CONNECTOR	EMPTY
10	SGOLD2	
11	SGOLD2 SUPPLY DOMAIN	
12	SDRAM FLASH	
13	MOZART / TWIGO	
14	BATTERY CONNECTOR	
15	IO-CONNECTOR	
16	SIM-CONNECTOR	
17	SPEAKER SOLUTION 1	
19	MICROPHONE CIRCUIT 1	
21	VIBRA	
22	DISPLAY CONNECTOR	
23	DISPLAY/ KEYPAD BACKLIGHT CONTROL	
24	NIGHT DESIGN	
25	CLIPITS CONNECTION	
26	IRDA	
27	MMI CONNECTOR	
28	KEYPAD BACKLIGHT	
29	KEYPAD FOR SGOLD2	
30	KEYPAD FOR SLIDER	
32	OPEN/CLOSE DETECTION	
35	CAMERA INTERFACE	
38	ANTENNA CIRCUIT with small PA	
39	RF HITACHI BRIGHT	
41	FM RADIO WITH RDS	
42	BLUETOOTH SOLUTION 1	
43	AGPS	
44	AMBIENT LIGHT SENSOR	EMPTY
45	BAROMETER	
46	COMPASS	
48	MMC-READER	
49	LED FLASHLIGHT	
51	BLUETOOTH SOLUTION 2	
52	WLAN RF INTERFACE	
53	WLAN SOC INTERFACE	
58	ANTENNA CIRCUIT with large PA	

PAGE	BLOCK	STATUS
90	SGOLD2 testsocket	
91	SGOLD2 SUPPLY DOMAIN testsocket	
94	Keypad as components	
95	JUMPER PAGE	
98	NAND FLASH	
99	DEBUG	

ATTENTION: Page 29, 30 and 58

**all components are only as circuit symbol available and not placed on the PCB
(Mentor property CLASS=N).**

8	29606	28.07.2005	Lge	USER	03.06.2004	X75 Minos B2 Variante 1 TOP HIERARCHY LEVEL SCHEMATIC	1:1
7	28754	24.06.2005	Lge	APP'R'D	Lange		
6	27378	19.05.2005	Lge				
5	25595	13.05.2005	Lge		MP PD HW 4 KLF	Siemens AG	90877
4	23115	23.02.2005	Lge				
3		13.01.2005	LGE			sheet2	
2		01.12.2004	LGE				
VERS.	CHANGE NUMBER	DATE	NAME			(Created by BOM number: A5B00900164465-29606)	

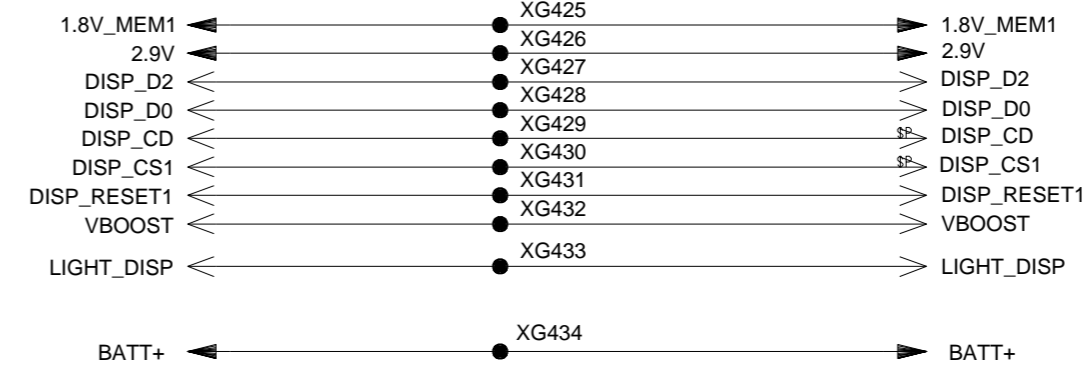
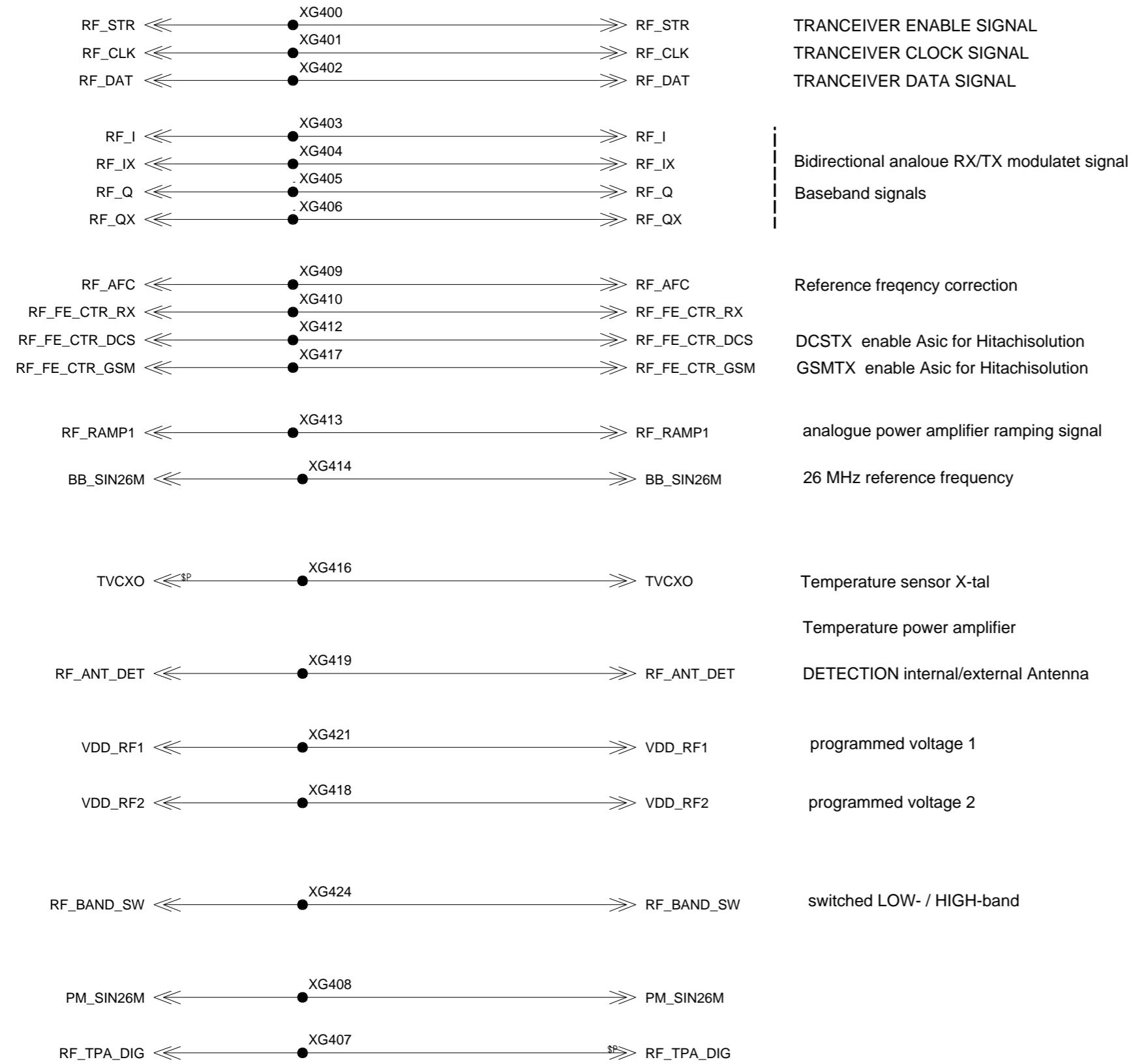
Proprietary data. Company confidential.
all rights reserved

Als Betriebsgeheimnis anvertraut
alle Rechte vorbehalten

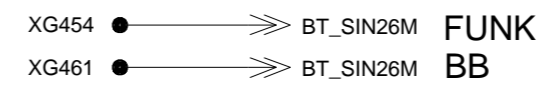
HIT_POINTS LOGIK/HF_PART_1

HIT_POINTS LOGIK/HF

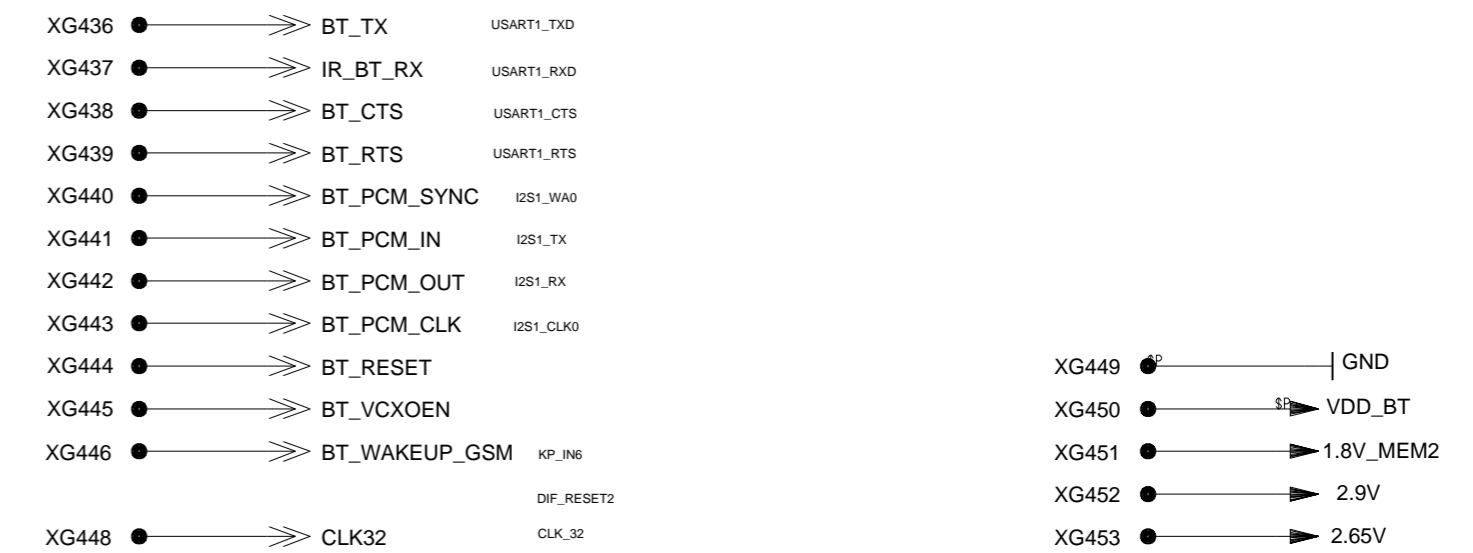
400-449



HIT_POINTS HF_PART_1/BLUETOOTH

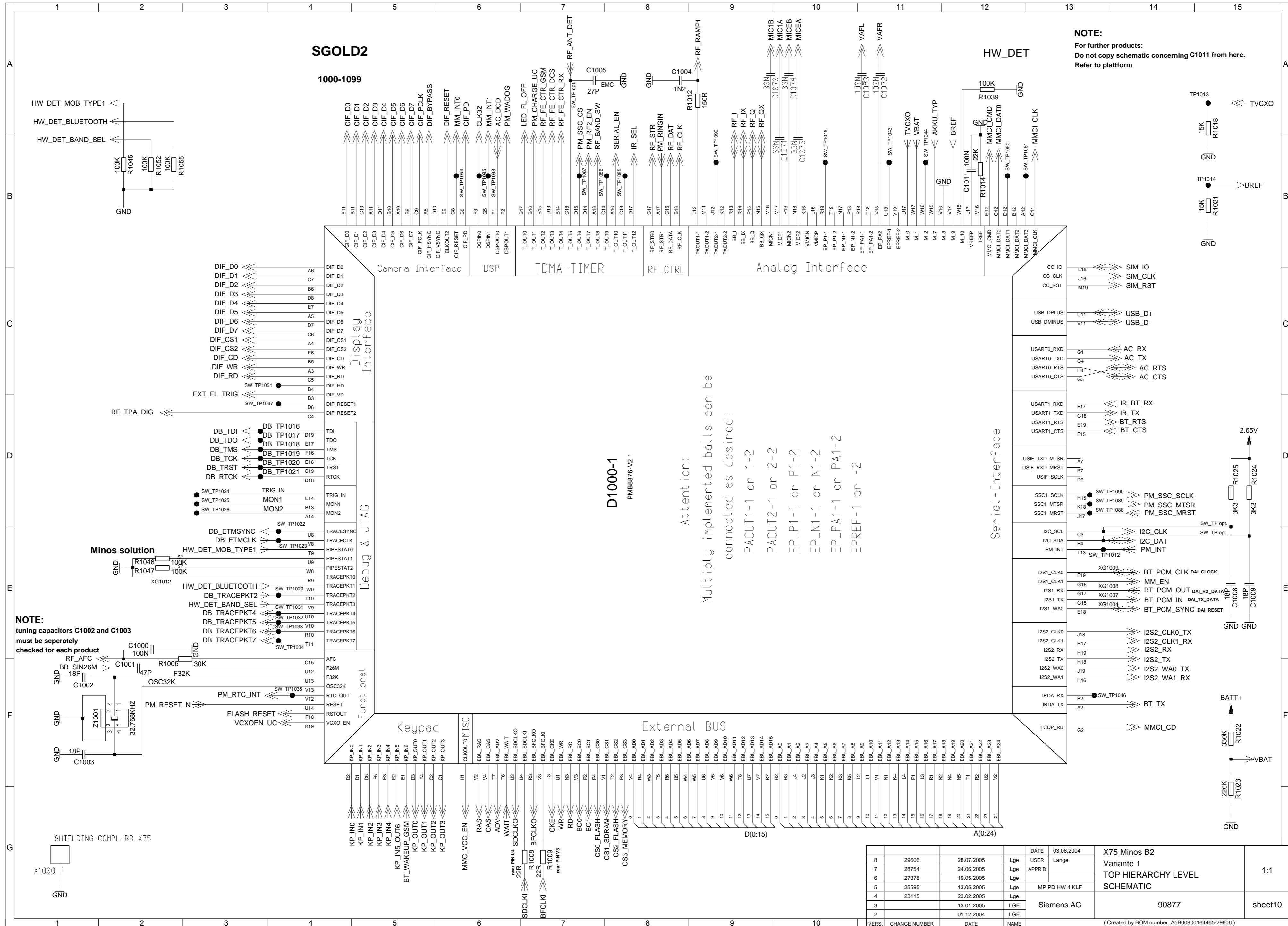


HIT_POINTS LOGIK/BLUETOOTH



VERS.	CHANGE NUMBER	DATE	NAME	DATE	03.06.2004	USER	Lange	MP PD HW 4 KLF	Siemens AG	X75 Minos B2 Variante 1 TOP HIERARCHY LEVEL SCHEMATIC	90877	sheet4
8	29606	28.07.2005	Lge	USER								
7	28754	24.06.2005	Lge	APPR'D								
6	27378	19.05.2005	Lge									
5	25595	13.05.2005	Lge									
4	23115	23.02.2005	Lge									
3		13.01.2005	LGE									
2		01.12.2004	LGE									

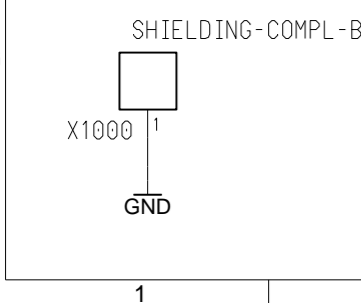
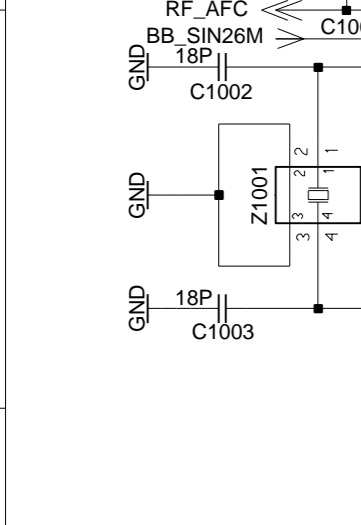
(Created by BOM number: A5B00900164465-29606)



NOTE:
For further products:
Do not copy schematic concerning C1001 from here.
Refer to platform

Attention:
Multiply implemented balls can be
connected as desired:
PAOUT1-1 or 1-2
PAOUT2-1 or 2-2
EP_P1-1 or P1-2
EP_N1-1 or N1-2
EP_PA1-1 or PA1-2
EPREF-1 or -2

NOTE:
tuning capacitors C1002 and C1003
must be separately
checked for each product



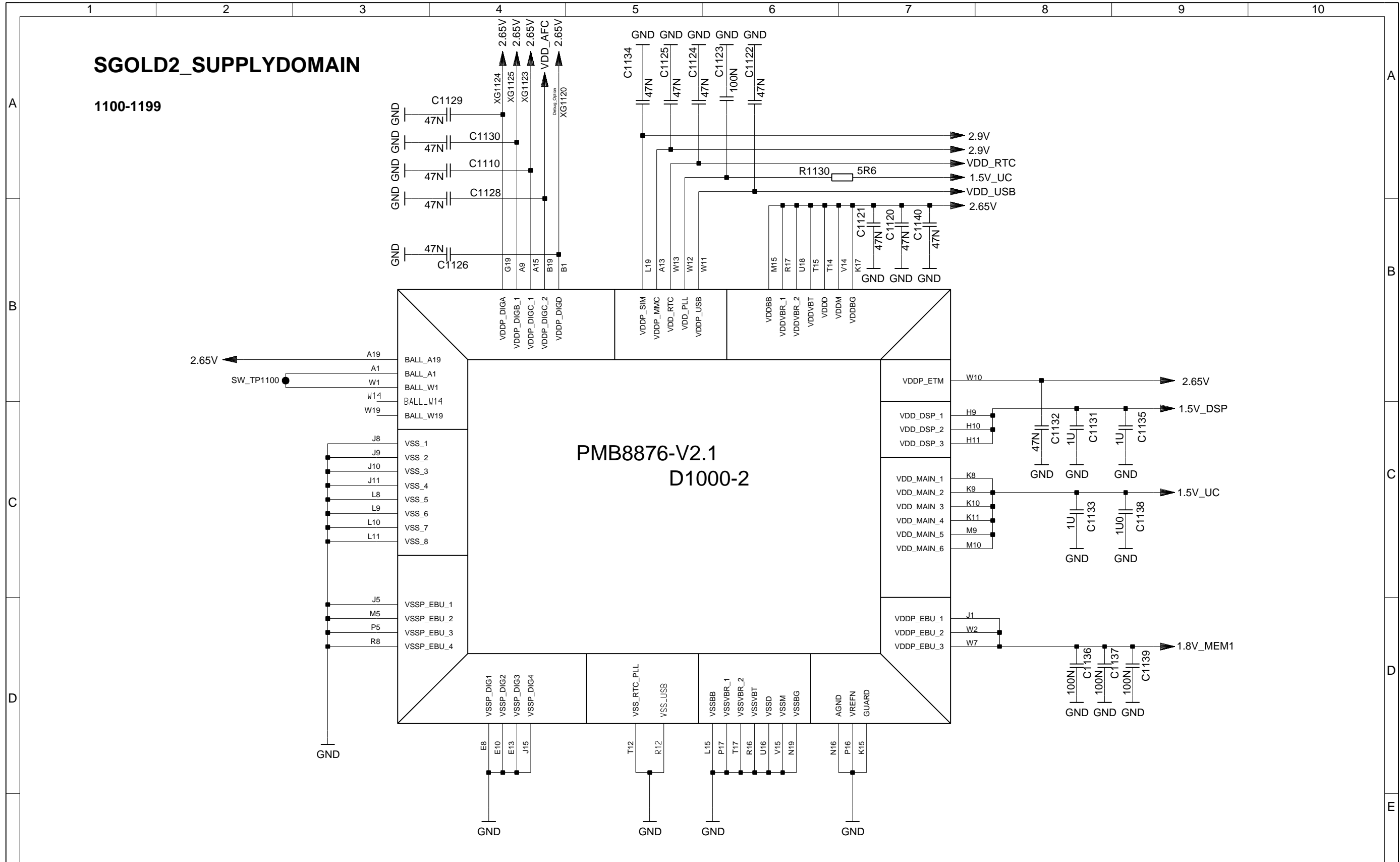
VERS.	CHANGE NUMBER	DATE	NAME
8	29606	28.07.2005	Lge USER Lange
7	28754	24.06.2005	Lge APPRD
6	27378	19.05.2005	Lge
5	25595	13.05.2005	Lge MP PD HW 4 KLF
4	23115	23.02.2005	Lge
3		13.01.2005	LGE
2		01.12.2004	LGE
DATE 03.06.2004			
USER Lange			
APPRD			
MP PD HW 4 KLF			
Siemens AG			
90877			
(Created by BOM number: A5B00900164465-29606)			

X75 Minos B2
Variante 1
TOP HIERARCHY LEVEL
SCHEMATIC

1:1
sheet10

Proprietary data, company confidential.
All rights reserved

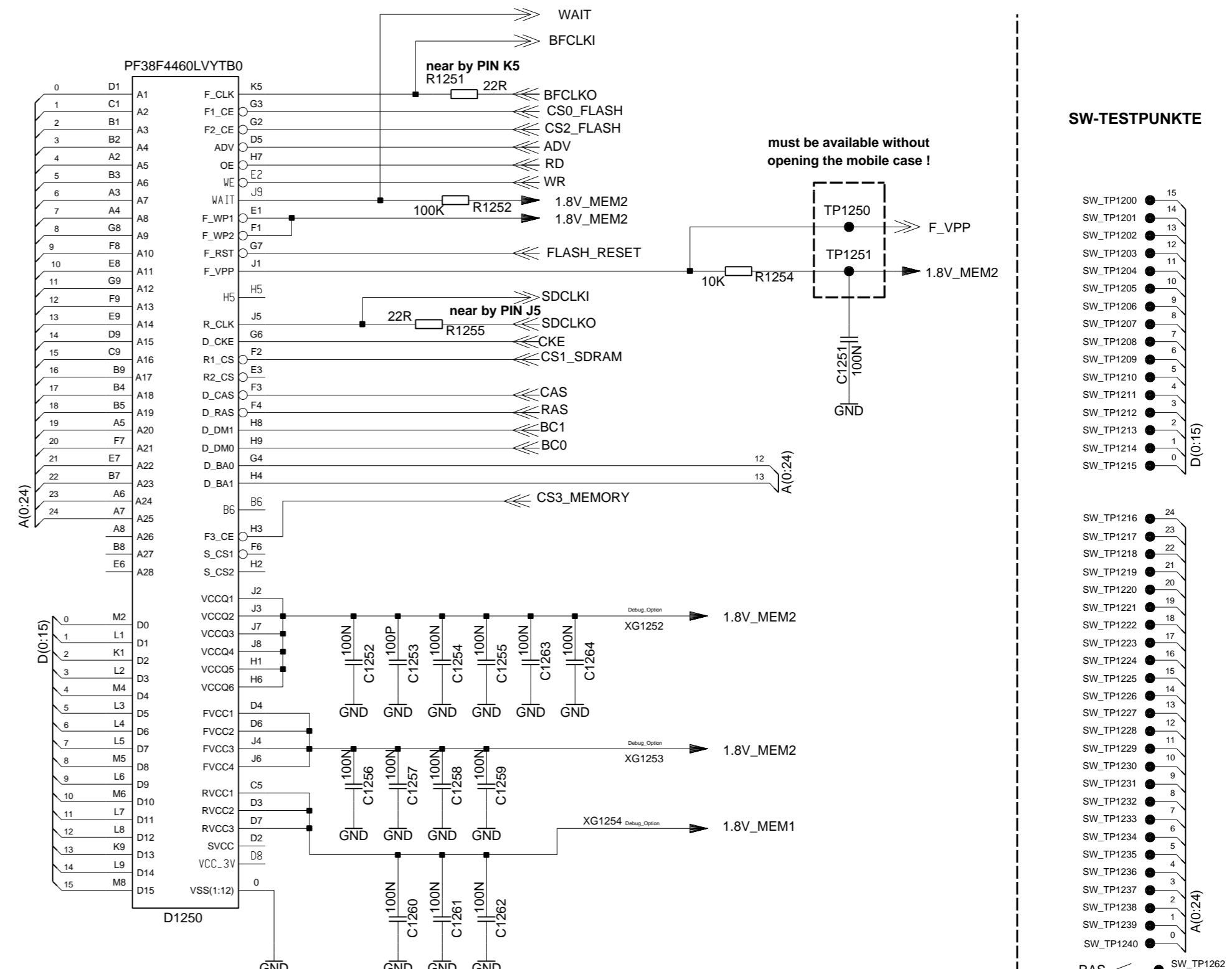
Als Betriebsgeheimnis anvertraut
Alle Rechte vorbehalten



VERS.	CHANGE NUMBER	DATE	NAME	DATE	03.06.2004	X75 Minos B2 Variante 1 TOP HIERARCHY LEVEL SCHEMATIC	1:1
8	29606	28.07.2005	Lge	USER	Lange		
7	28754	24.06.2005	Lge	APPR'D			
6	27378	19.05.2005	Lge				
5	25595	13.05.2005	Lge	MP PD HW 4 KLF			
4	23115	23.02.2005	Lge				
3		13.01.2005	LGE	Siemens AG		90877	sheet11
2		01.12.2004	LGE				
(Created by BOM number: A5B00900164465-29606)							

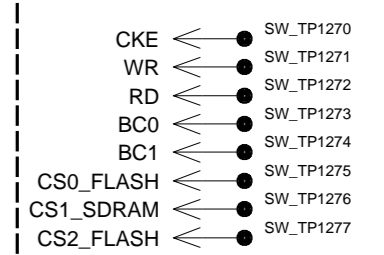
FLASH_SDRAM

1200-1299



Layout Information:

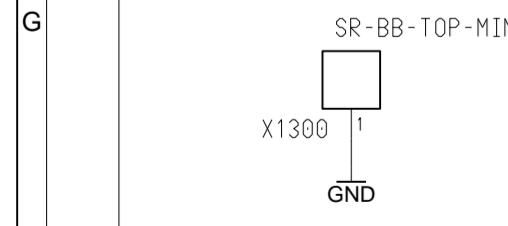
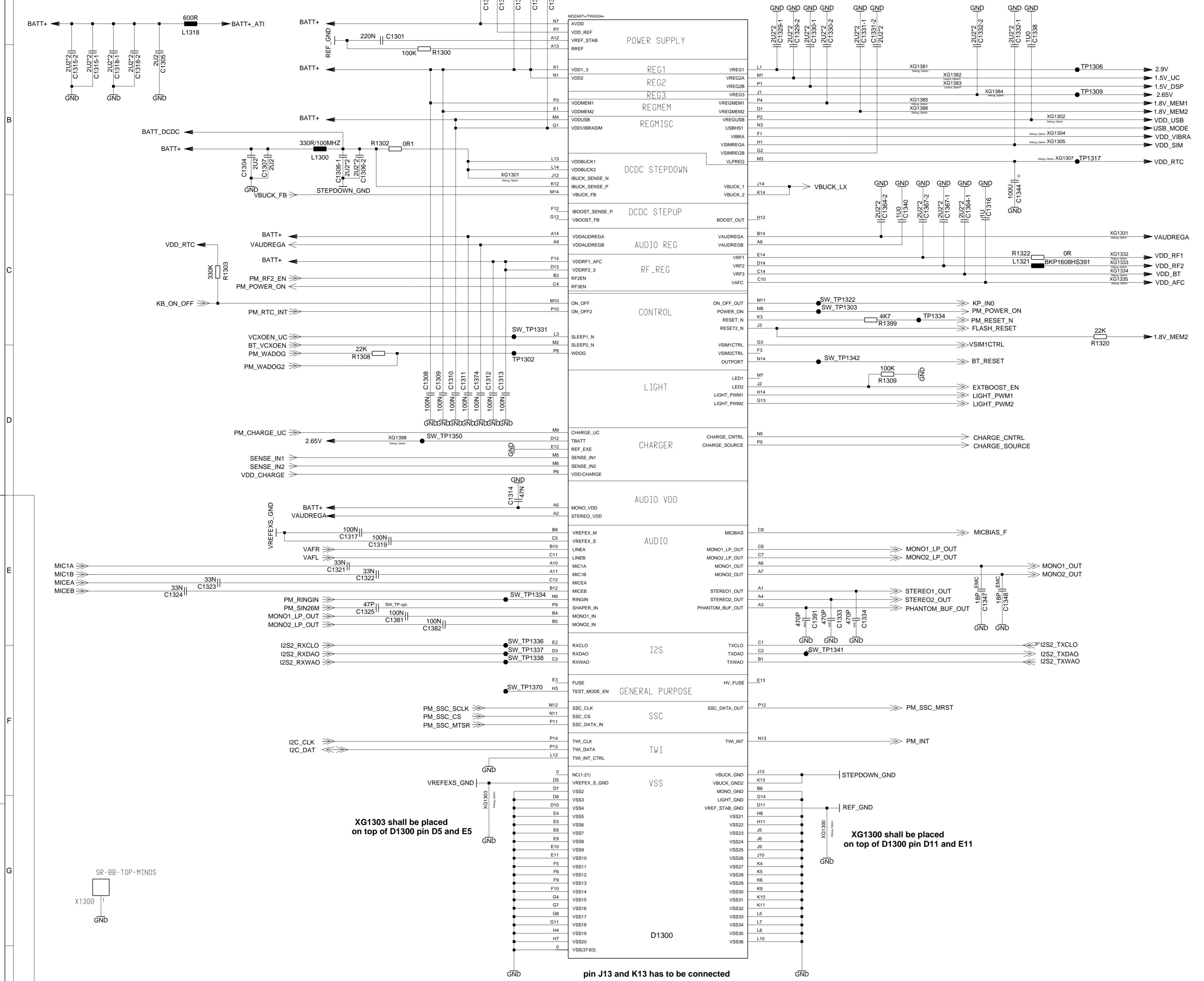
- 1) place a capacitor (decoupling) to every power ball (VCC, VCCQ) as close as possible. There should be one capacitor for each ball.
- 2) connect the power plane as short as possible via the decoupling capacitor to the power ball.
- 3) connect ground as close as possible to the decoupling capacitor.
- 4) Please avoid branches by routing signals to more than one target (ball), this means for every signal expecting the power connectivity's. This is very important for the clock signals.
- 5) The BFCLKO & BFCLKI signal is a loop line from SGOLD2 to the Memory and back to SGOLD2. So avoid branches here as well. The same applies to SDCLKO & SDCLKI.



VERS.	CHANGE NUMBER	DATE	NAME	DATE	03.06.2004	USER	Lange	MP PD HW 4 KLF	Siemens AG	90877	sheet12
8	29606	28.07.2005	Lge	USER	Lange						
7	28754	24.06.2005	Lge	APPR'D							
6	27378	19.05.2005	Lge								
5	25595	13.05.2005	Lge								
4	23115	23.02.2005	Lge								
3		13.01.2005	LGE								
2		01.12.2004	LGE								

MOZART

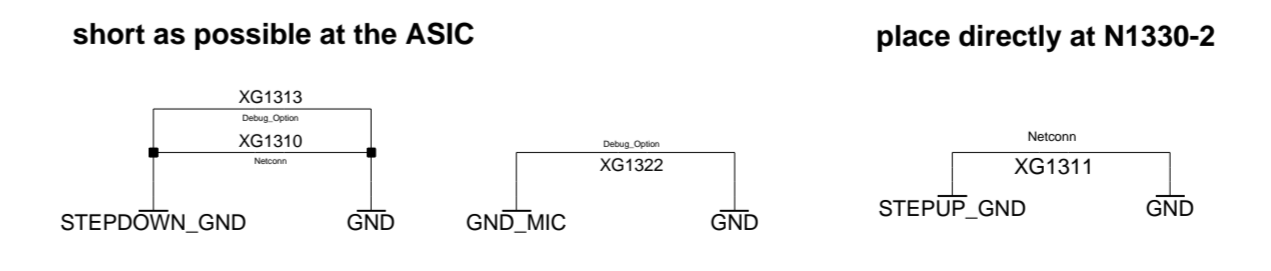
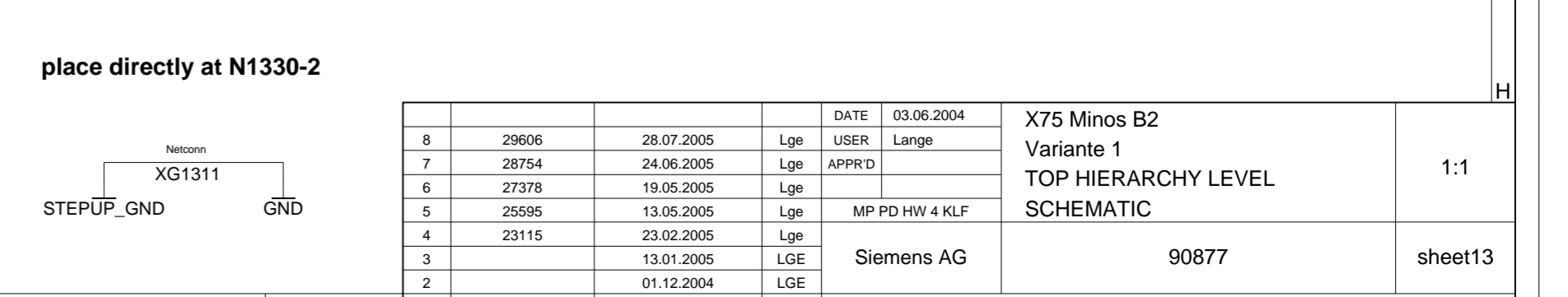
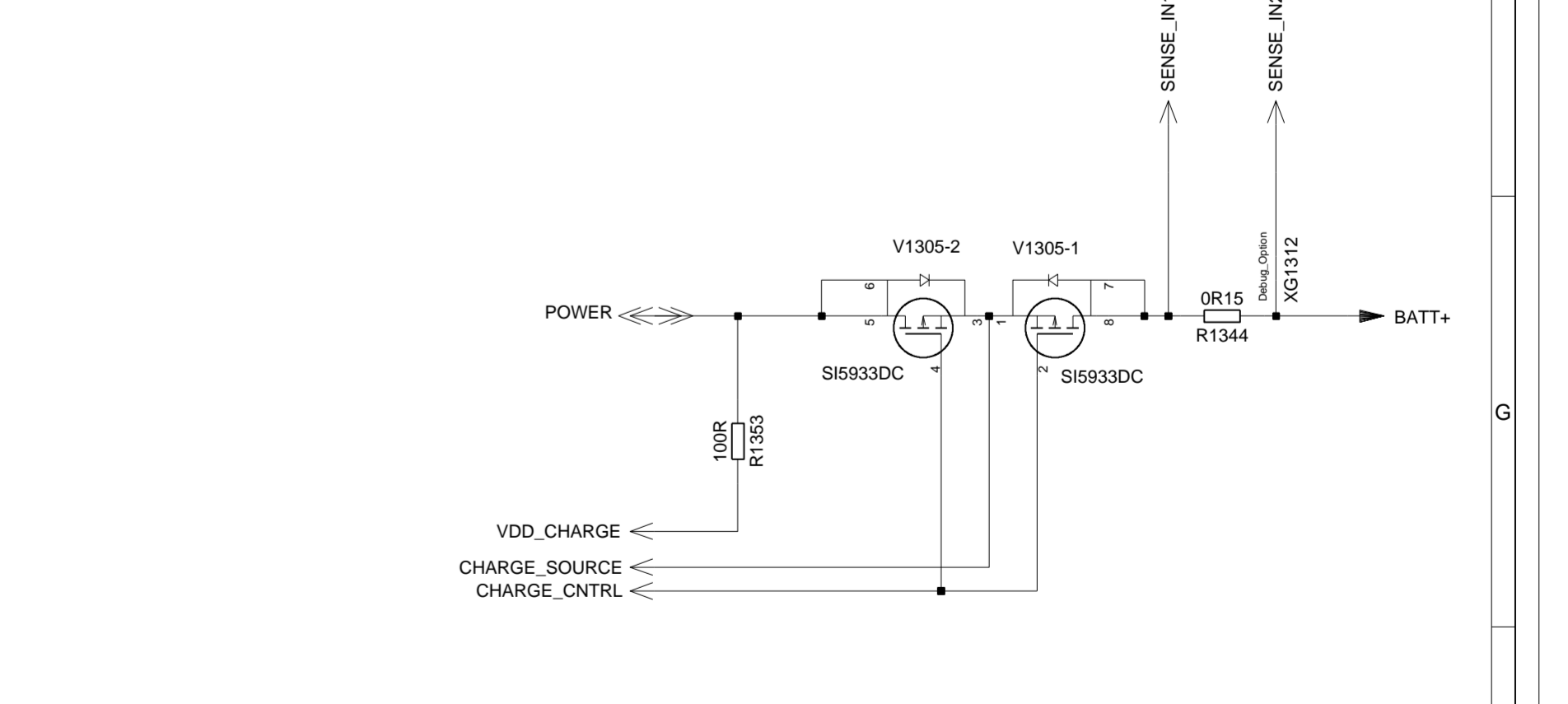
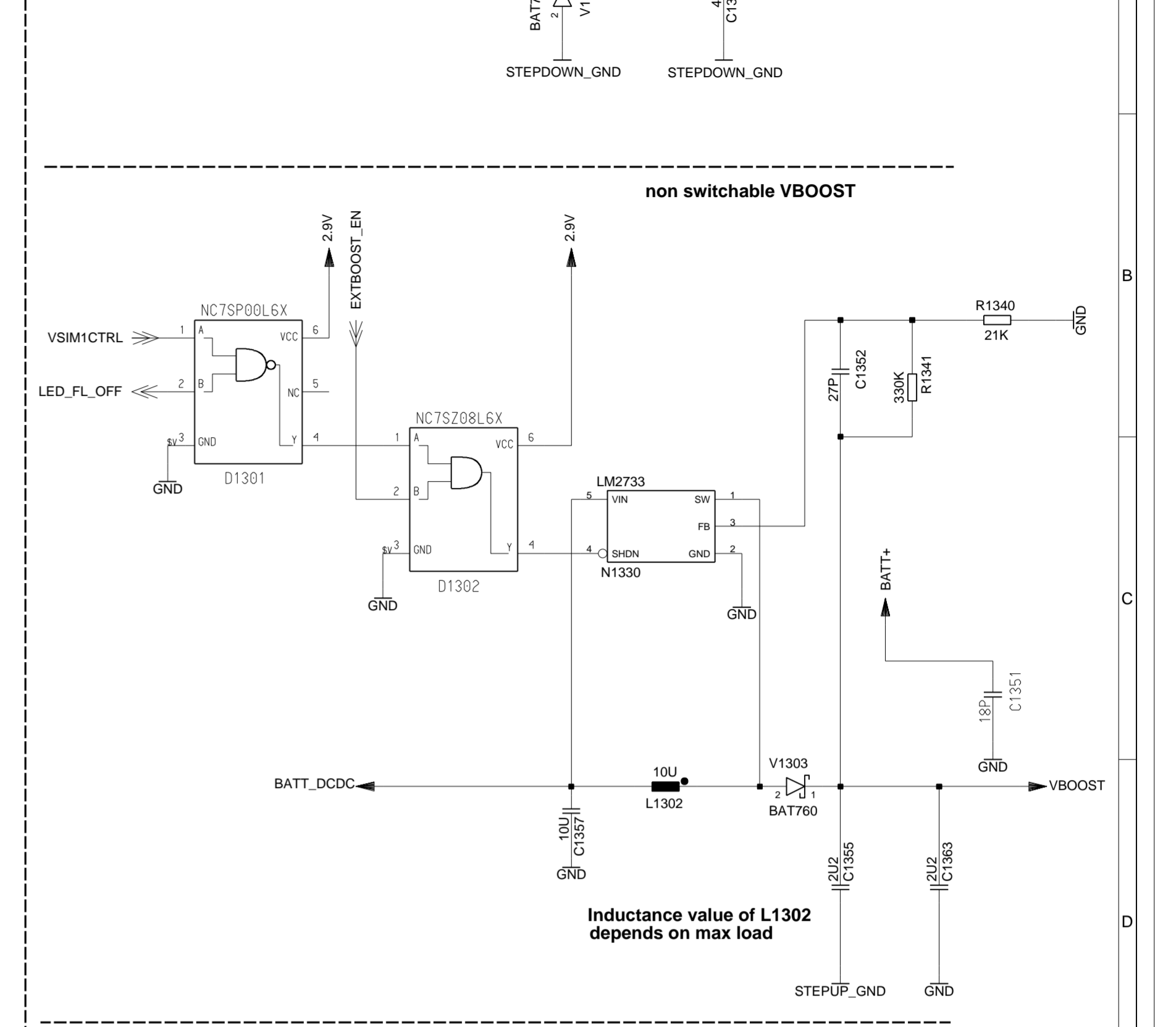
1300-1399



Sin nuestra expresa autorización, queda terminantemente prohibida la reproducción total o parcial de este documento, así como su uso indebido y/o su explotación o comunicación terceros. De los infractores se seguirá el correspondiente resarcimiento de daños y perjuicios. Se reserva todos los derechos para el caso de la concesión de patentes de invención o el registro de Modelos Industriales.

Copying of this document, and giving it to others and the use or communication of its contents, without our express authorization, is strictly prohibited. Damages and losses will be claimed from the infringers. All rights are reserved in the event of the grant of a Patent or the registration of a Utility Model or Design.

Wiedergabe sowie Weiterverbreitung dieser Unterlagen, Verwertung und Mitteilung ihres Inhalts nicht gestattet, soweit nicht ausdrücklich zugestimmt. Zuwiderhandlungen Verursachen zu Schadensersatz. Alle Rechte für den Fall der Patentierung oder GM-Eintragung vorbehalten.



VERS.	CHANGE NUMBER	DATE	NAME
8	29606	28.07.2005	Lge
7	28754	24.06.2005	Lge
6	27378	19.05.2005	Lge
5	25895	13.05.2005	Lge
4	23115	23.02.2005	Lge
3		13.01.2005	LGE
2		01.12.2004	LGE

DATE	USER	DATE	APPD
03.06.2004	Lange	24.06.2005	Lge
19.05.2005	Lge	13.05.2005	Lge
23.02.2005	Lge	13.01.2005	LGE
01.12.2004	LGE		

X75 Minos B2 Variante 1 TOP HIERARCHY LEVEL SCHEMATIC

Siemens AG 90877

sheet13

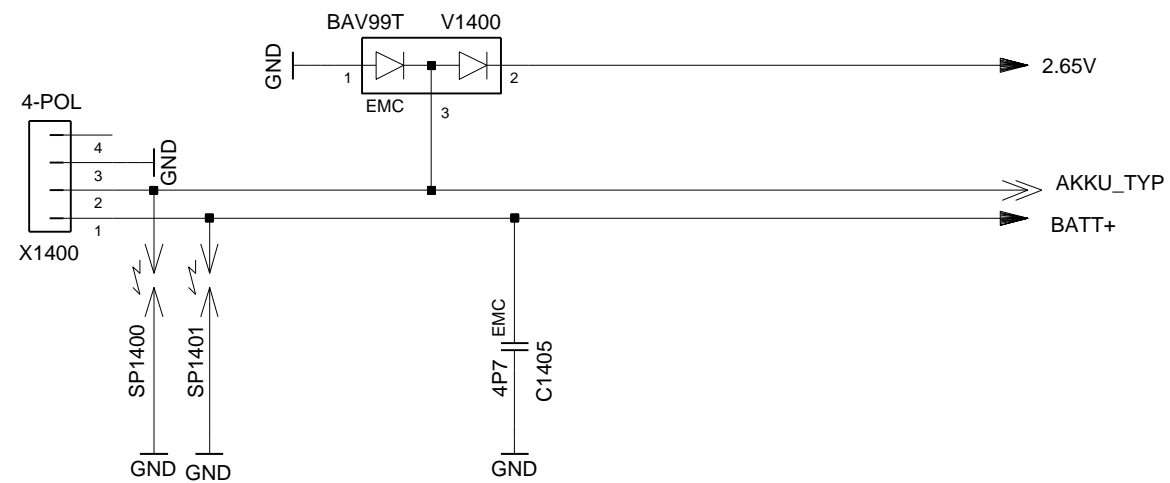
(Created by BOM number: A5B00900164465-29606)

Proprietary data, company confidential.
All rights reserved

Als Betriebsgeheimnis anvertraut
Alle Rechte vorbehalten

BATTERY_CONNECTOR

1400-1449

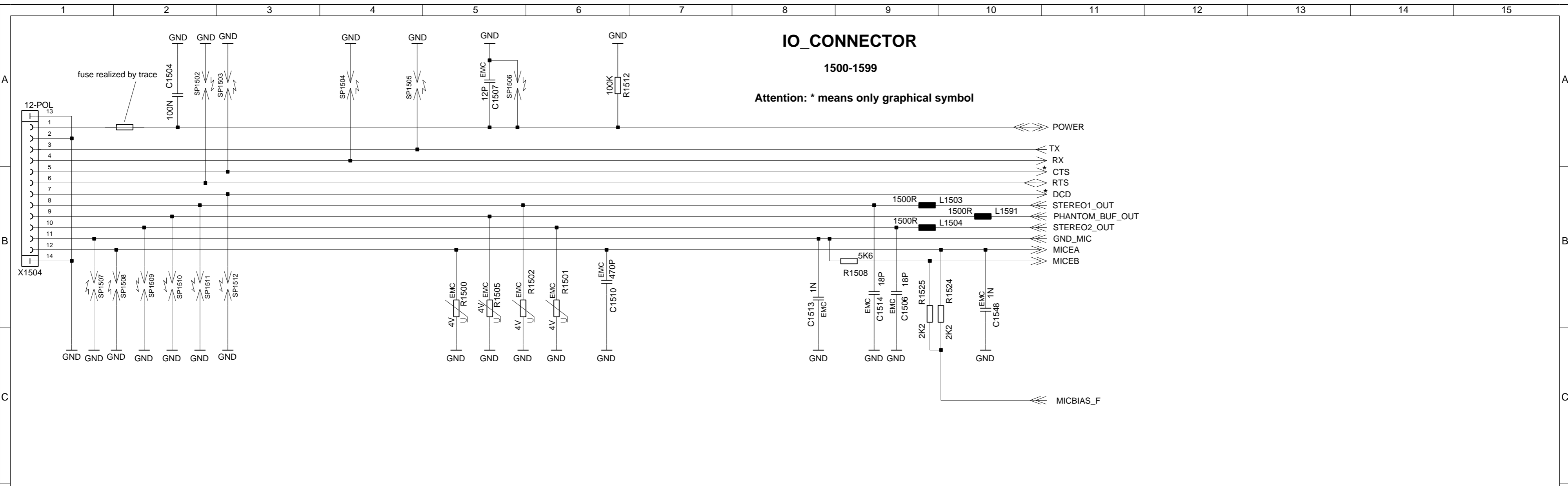


VERS.	CHANGE NUMBER	DATE	NAME	DATE	03.06.2004	X75 Minos B2 Variante 1 TOP HIERARCHY LEVEL SCHEMATIC	1:1
8	29606	28.07.2005	Lge	USER	Lange		
7	28754	24.06.2005	Lge	APPR'D			
6	27378	19.05.2005	Lge				
5	25595	13.05.2005	Lge	MP PD HW 4 KLF			
4	23115	23.02.2005	Lge				
3		13.01.2005	LGE	Siemens AG			
2		01.12.2004	LGE				
						90877	sheet14
(Created by BOM number: A5B00900164465-29606)							

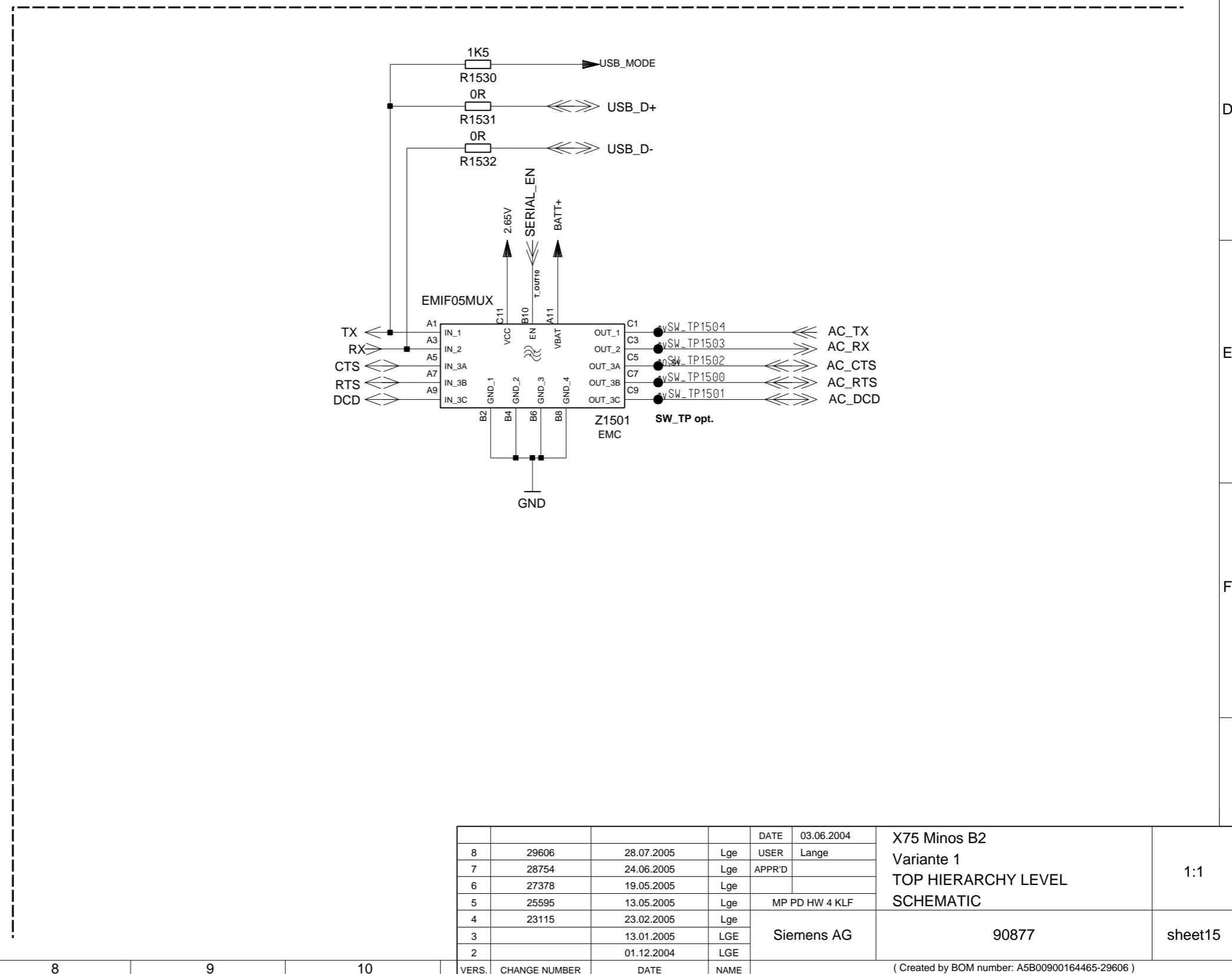
IO_CONNECTOR

1500-1599

Attention: * means only graphical symbol



IO_CONNECTOR



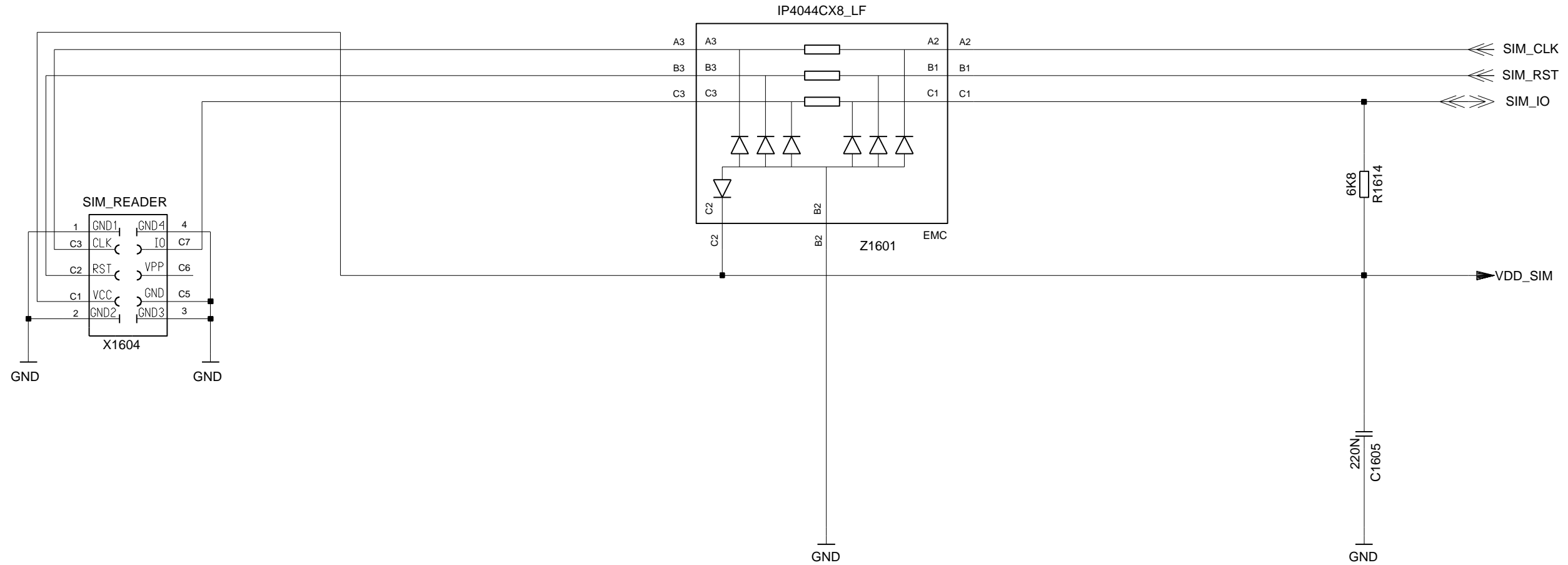
VERS.	CHANGE NUMBER	DATE	NAME	DATE	USER	DATE	NAME	DESCRIPTION	SHEET
8	29606	28.07.2005	Lge	03.06.2004	USER	Lange		X75 Minos B2 Variante 1 TOP HIERARCHY LEVEL SCHEMATIC	1:1
7	28754	24.06.2005	Lge	APP'R'D					
6	27378	19.05.2005	Lge						
5	25595	13.05.2005	Lge	MP PD HW 4 KLF					
4	23115	23.02.2005	Lge				Siemens AG	90877	sheet15
3		13.01.2005	LGE						
2		01.12.2004	LGE						
(Created by BOM number: A5B00900164465-29606)									

Proprietary data, company confidential.
All rights reserved

Als Betriebsgeheimnis anvertraut
Alle Rechte vorbehalten

SIM_CONNECTOR

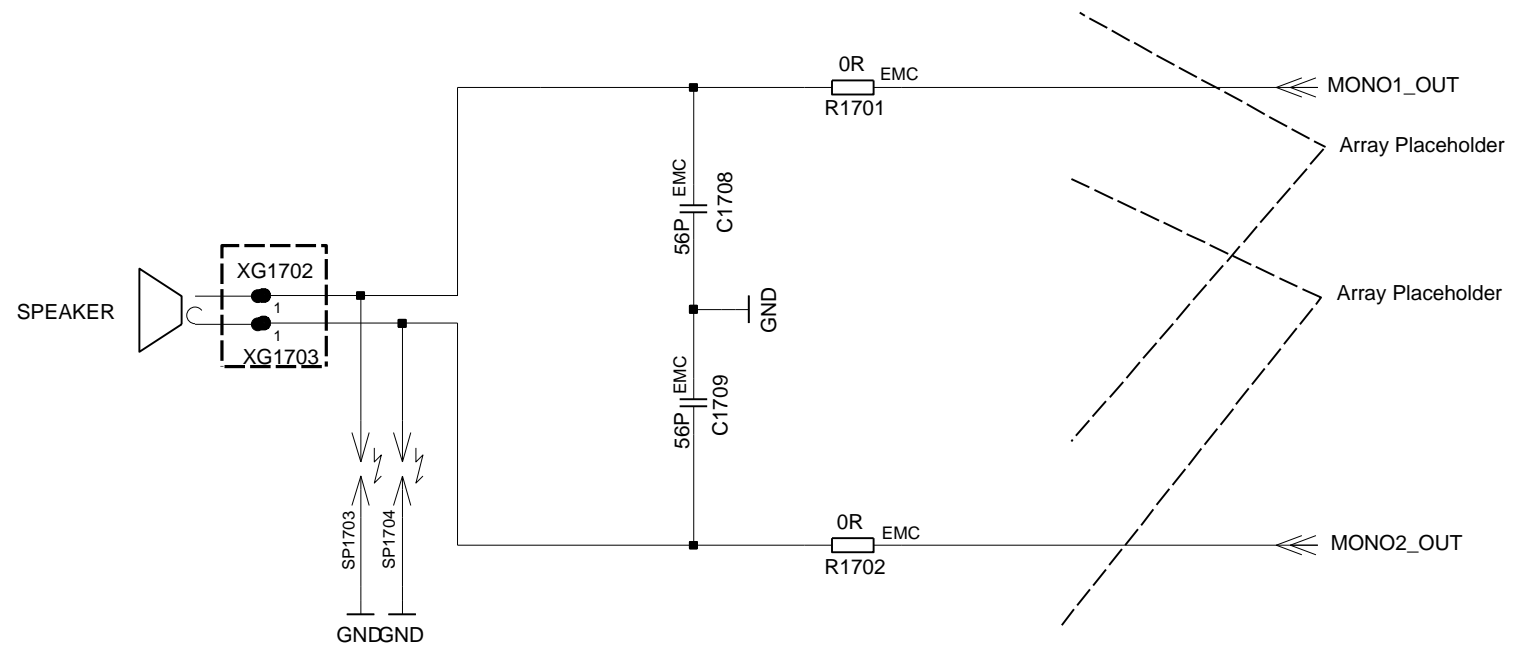
1600-1659



VERS.	CHANGE NUMBER	DATE	NAME	DATE	03.06.2004	X75 Minos B2 Variante 1 TOP HIERARCHY LEVEL SCHEMATIC	1:1
8	29606	28.07.2005	Lge	USER	Lange		
7	28754	24.06.2005	Lge	APPR'D			
6	27378	19.05.2005	Lge				
5	25595	13.05.2005	Lge	MP PD HW 4 KLF			
4	23115	23.02.2005	Lge				
3		13.01.2005	LGE	Siemens AG		90877	sheet16
2		01.12.2004	LGE				
(Created by BOM number: A5B00900164465-29606)							

SPEAKER_SOLUTION_1

1700-1759



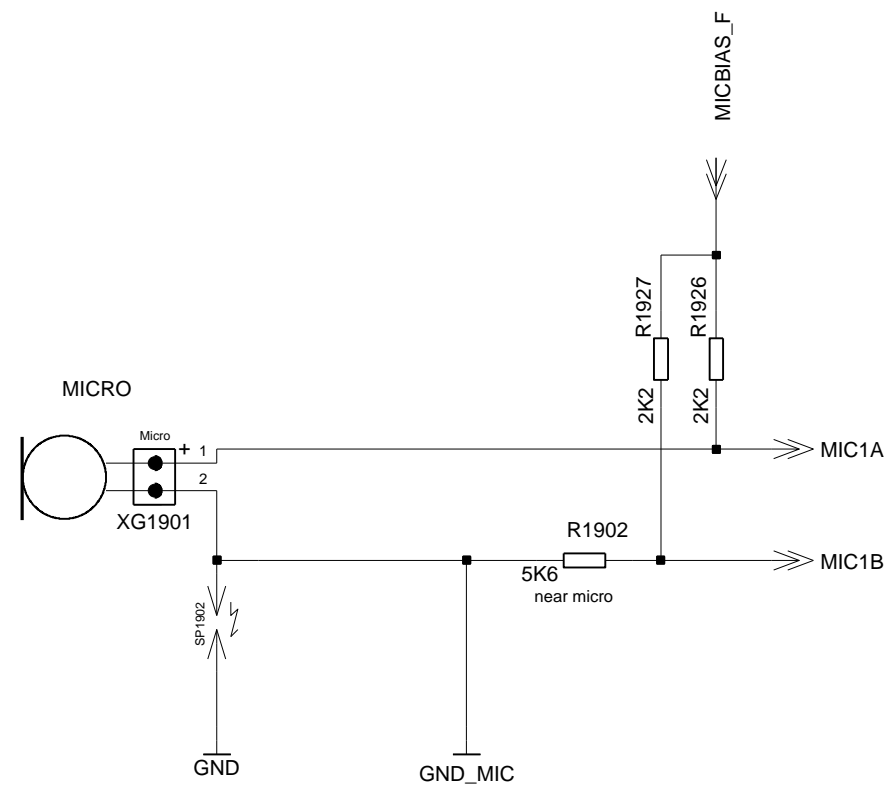
Proprietary data, company confidential.
All rights reserved

Als Betriebsgeheimnis anvertraut
Alle Rechte vorbehalten

VERS.	CHANGE NUMBER	DATE	NAME	DATE	03.06.2004	X75 Minos B2 Variante 1 TOP HIERARCHY LEVEL SCHEMATIC	1:1
8	29606	28.07.2005	Lge	USER	Lange		
7	28754	24.06.2005	Lge	APPR'D			
6	27378	19.05.2005	Lge				
5	25595	13.05.2005	Lge		MP PD HW 4 KLF		
4	23115	23.02.2005	Lge				
3		13.01.2005	LGE		Siemens AG	90877	sheet17
2		01.12.2004	LGE				
(Created by BOM number: A5B00900164465-29606)							

MICROPHONE_CIRCUIT_1

1900-1999



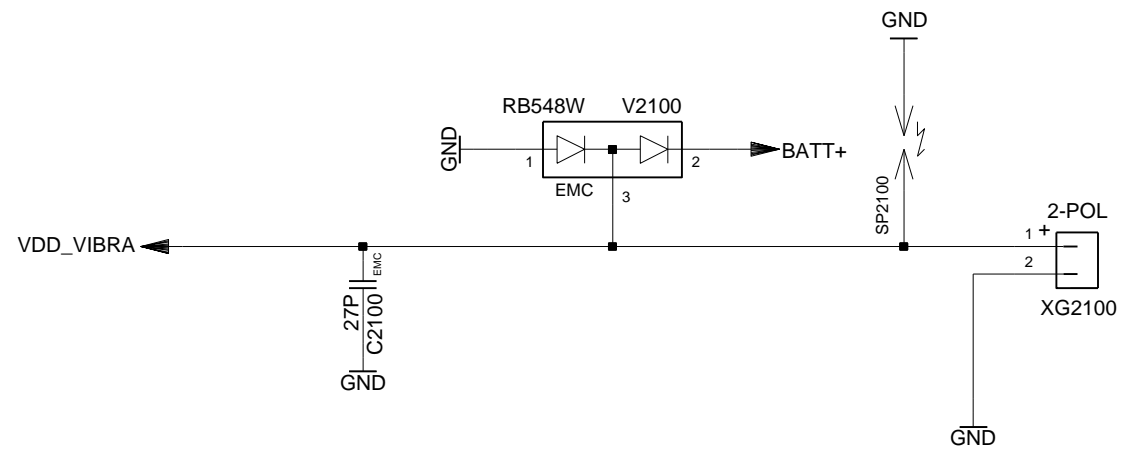
Proprietary data, company confidential.
All rights reserved

Als Betriebsgeheimnis anvertraut
Alle Rechte vorbehalten

VERS.	CHANGE NUMBER	DATE	NAME	DATE	03.06.2004	X75 Minos B2 Variante 1 TOP HIERARCHY LEVEL SCHEMATIC	1:1
8	29606	28.07.2005	Lge	USER	Lange		
7	28754	24.06.2005	Lge	APPR'D			
6	27378	19.05.2005	Lge				
5	25595	13.05.2005	Lge	MP PD HW 4 KLF			
4	23115	23.02.2005	Lge				
3		13.01.2005	LGE	Siemens AG			
2		01.12.2004	LGE				
						90877	sheet19
(Created by BOM number: A5B00900164465-29606)							

VIBRA

2100-2125



Proprietary data, company confidential.
All rights reserved

Als Betriebsgeheimnis anvertraut
Alle Rechte vorbehalten

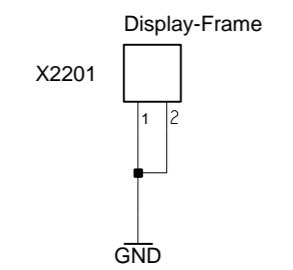
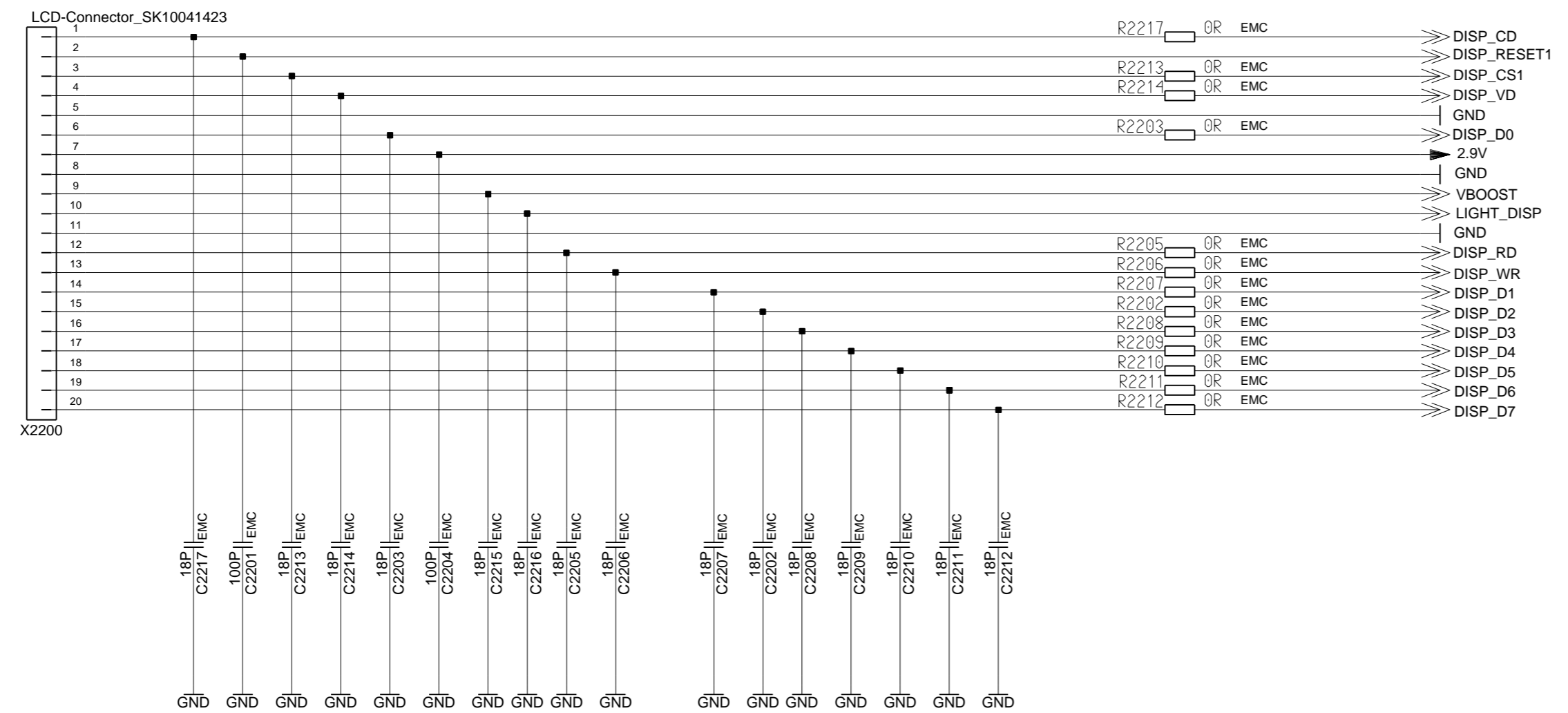
VERS.	CHANGE NUMBER	DATE	NAME	DATE	03.06.2004	X75 Minos B2 Variante 1 TOP HIERARCHY LEVEL SCHEMATIC	1:1
8	29606	28.07.2005	Lge	USER	Lange		
7	28754	24.06.2005	Lge	APPR'D			
6	27378	19.05.2005	Lge				
5	25595	13.05.2005	Lge	MP PD HW 4 KLF			
4	23115	23.02.2005	Lge				
3		13.01.2005	LGE	Siemens AG			
2		01.12.2004	LGE				
						90877	sheet21
(Created by BOM number: A5B00900164465-29606)							

Proprietary data. Company confidential.
all rights reserved

Als Betriebsgeheimnis anvertraut
alle Rechte vorbehalten

DISPLAY_CONNECTOR

2200-2299



VERS.	CHANGE NUMBER	DATE	NAME	DATE	03.06.2004	DATE	03.06.2004	DATE	03.06.2004	DATE	03.06.2004	DATE	03.06.2004	DATE	03.06.2004	DATE	03.06.2004	DATE	03.06.2004
8	29606	28.07.2005	Lge	USER	Lange														
7	28754	24.06.2005	Lge	APPR'D															
6	27378	19.05.2005	Lge																
5	25595	13.05.2005	Lge																
4	23115	23.02.2005	Lge																
3		13.01.2005	LGE																
2		01.12.2004	LGE																
				Siemens AG				MP PD HW 4 KLF				X75 Minos B2				Variante 1			
												TOP HIERARCHY LEVEL				1:1			
												90877				sheet22			
																(Created by BOM number: A5B00900164465-29606)			

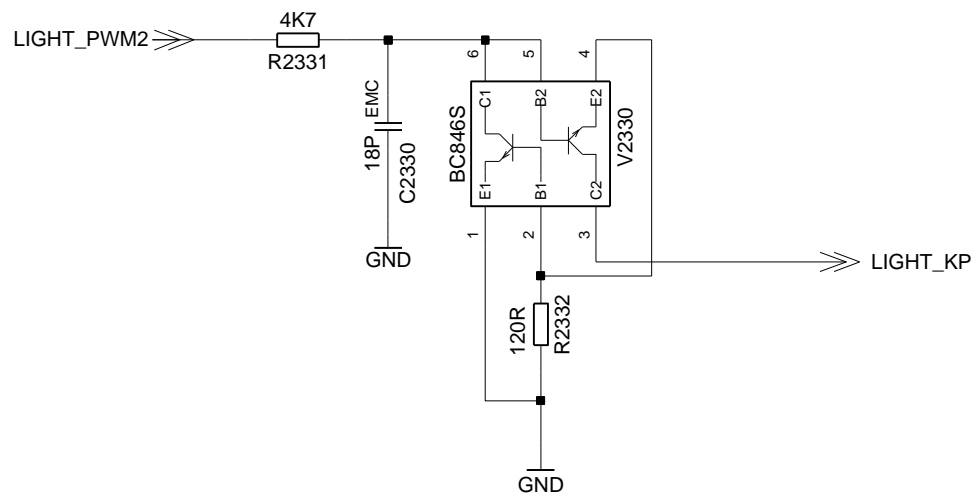
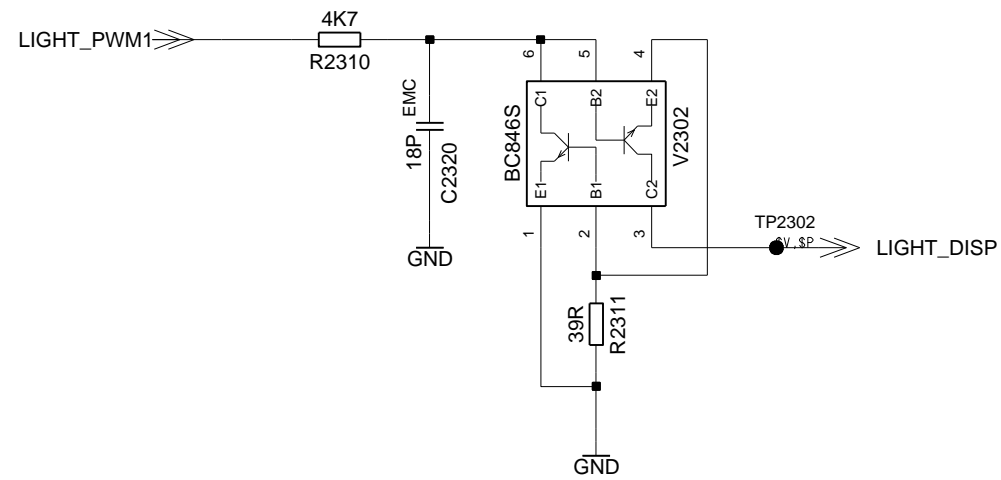
Proprietary data, company confidential.
All rights reserved

Als Betriebsgeheimnis anvertraut
Alle Rechte vorbehalten

DISPLAY/ KEYPAD BACKLIGHT CONTROL

2300-2399

MAIN_DISPLAY



VERS.	CHANGE NUMBER	DATE	NAME	DATE	03.06.2004	X75 Minos B2 Variante 1 TOP HIERARCHY LEVEL SCHEMATIC	1:1	
8	29606	28.07.2005	Lge	USER	Lange			
7	28754	24.06.2005	Lge	APPR'D				
6	27378	19.05.2005	Lge					
5	25595	13.05.2005	Lge		MP PD HW 4 KLF			
4	23115	23.02.2005	Lge					
3		13.01.2005	LGE		Siemens AG	90877	sheet23	
2		01.12.2004	LGE					
							(Created by BOM number: A5B00900164465-29606)	

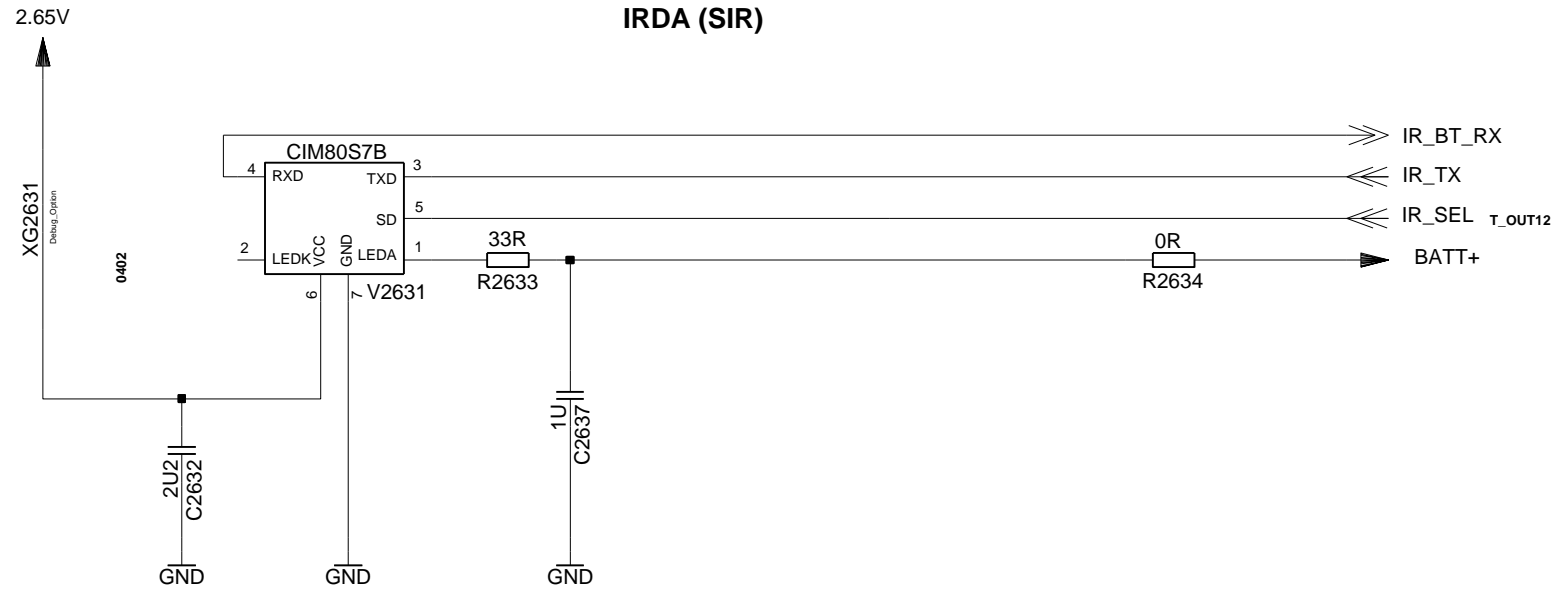
Proprietary data, company confidential.
All rights reserved

Als Betriebsgeheimnis anvertraut
Alle Rechte vorbehalten

IRDA

2600-2699

IRDA (SIR)



VERS.	CHANGE NUMBER	DATE	NAME	DATE	USER	DATE	DESCRIPTION	SCALE
8	29606	28.07.2005	Lge	03.06.2004	USER	Lange	X75 Minos B2 Variante 1 TOP HIERARCHY LEVEL SCHEMATIC	1:1
7	28754	24.06.2005	Lge		APPR'D			
6	27378	19.05.2005	Lge					
5	25595	13.05.2005	Lge			MP PD HW 4 KLF	90877	sheet26
4	23115	23.02.2005	Lge					
3		13.01.2005	LGE			Siemens AG		
2		01.12.2004	LGE					
							(Created by BOM number: A5B00900164465-29606)	

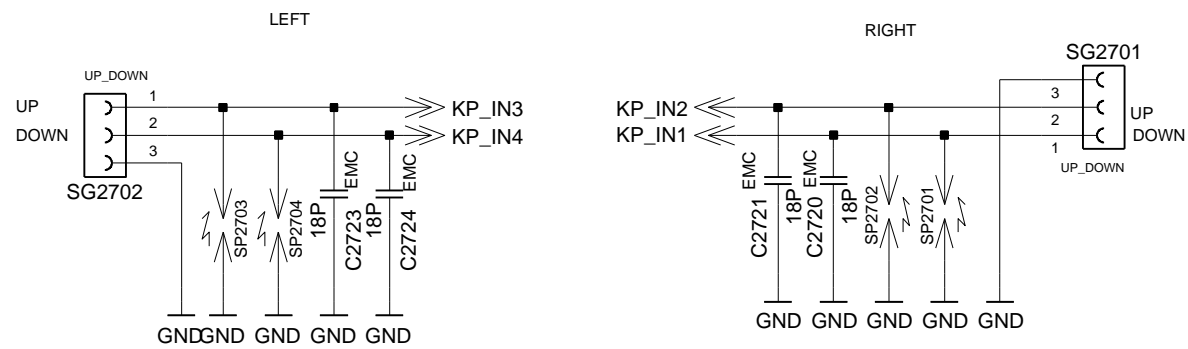
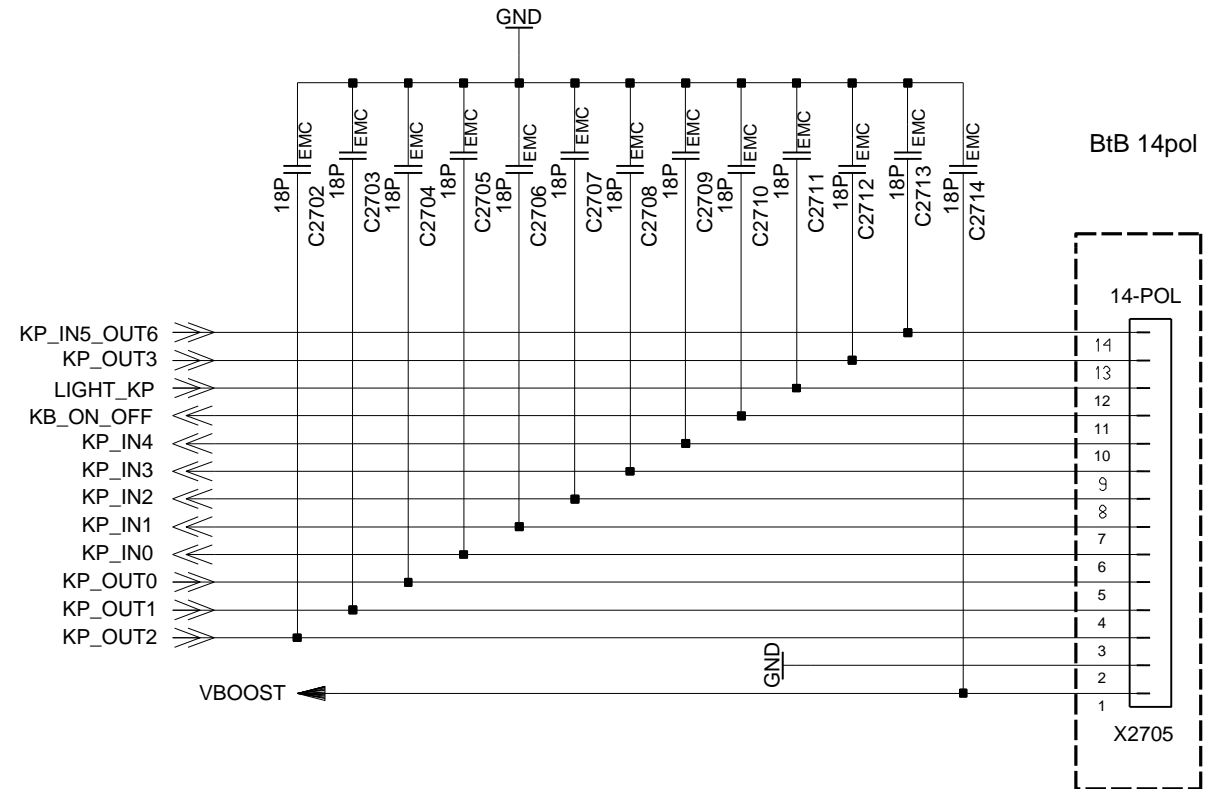
Proprietary data, company confidential.
All rights reserved

Als Betriebsgeheimnis anvertraut
Alle Rechte vorbehalten

MMI_CONNECTOR

BOARD TO BOARD CONNECTOR

2700-2749



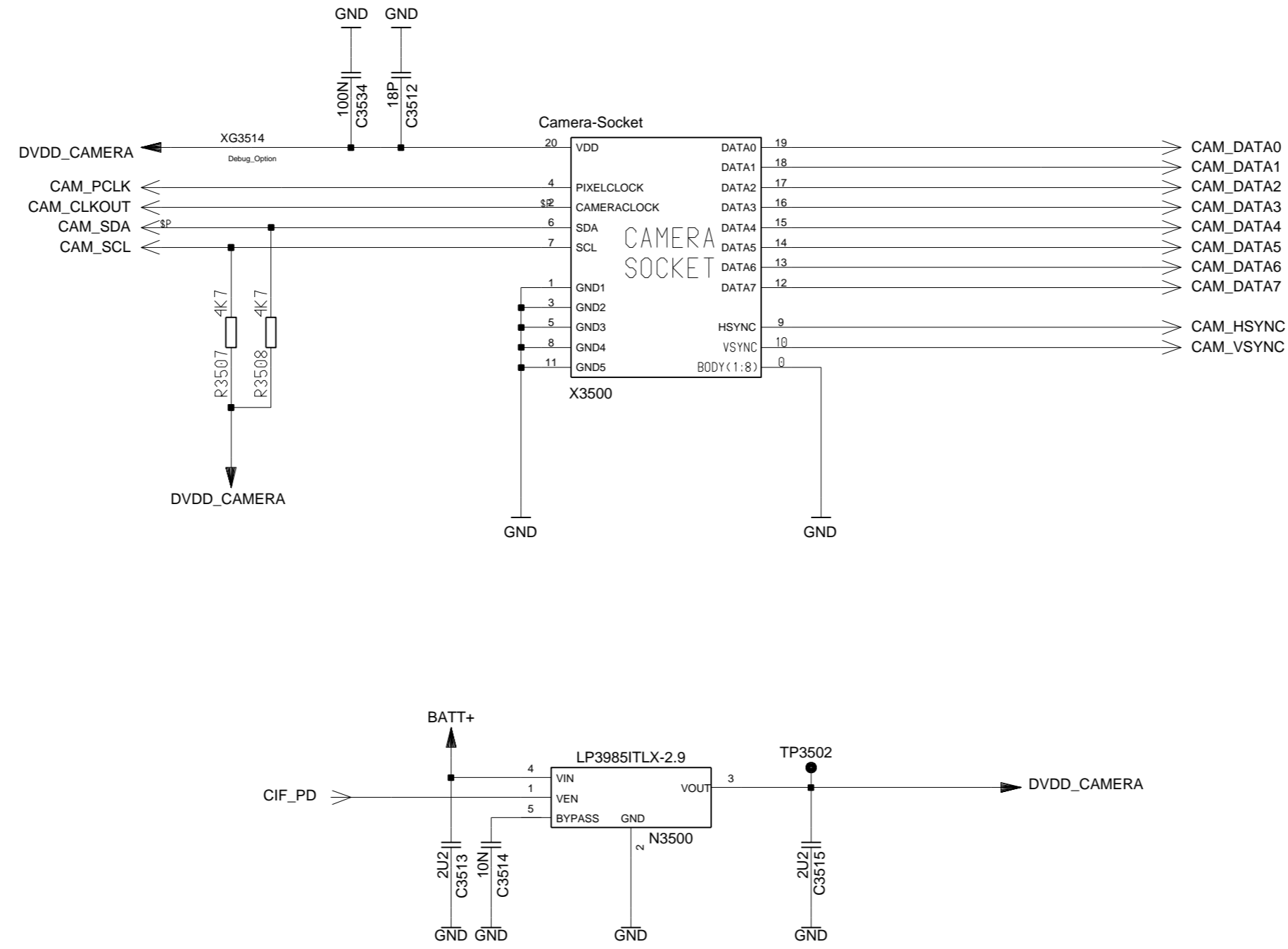
VERS.	CHANGE NUMBER	DATE	NAME	DATE	03.06.2004	X75 Minos B2 Variante 1 TOP HIERARCHY LEVEL SCHEMATIC	1:1
8	29606	28.07.2005	Lge	USER	Lange		
7	28754	24.06.2005	Lge	APPR'D			
6	27378	19.05.2005	Lge				
5	25595	13.05.2005	Lge		MP PD HW 4 KLF		
4	23115	23.02.2005	Lge				
3		13.01.2005	LGE		Siemens AG	90877	sheet27
2		01.12.2004	LGE				
(Created by BOM number: A5B00900164465-29606)							

Proprietary data. Company confidential.
all rights reserved

Als Betriebsgeheimnis anvertraut
alle Rechte vorbehalten

Camera Interface

3500-3599



VERS.	CHANGE NUMBER	DATE	NAME	DATE	03.06.2004	USER	Lange	DATE	APP'R'D	DATE	MP PD HW 4 KLF	DATE	DATE	DATE	DATE	DATE	DATE	DATE	
8	29606	28.07.2005	Lge	USER															
7	28754	24.06.2005	Lge	APP'R'D															
6	27378	19.05.2005	Lge																
5	25595	13.05.2005	Lge																
4	23115	23.02.2005	Lge																
3		13.01.2005	LGE																
2		01.12.2004	LGE																
												Siemens AG	90877	sheet35					
												(Created by BOM number: A5B00900164465-29606)							

1:1

sheet35

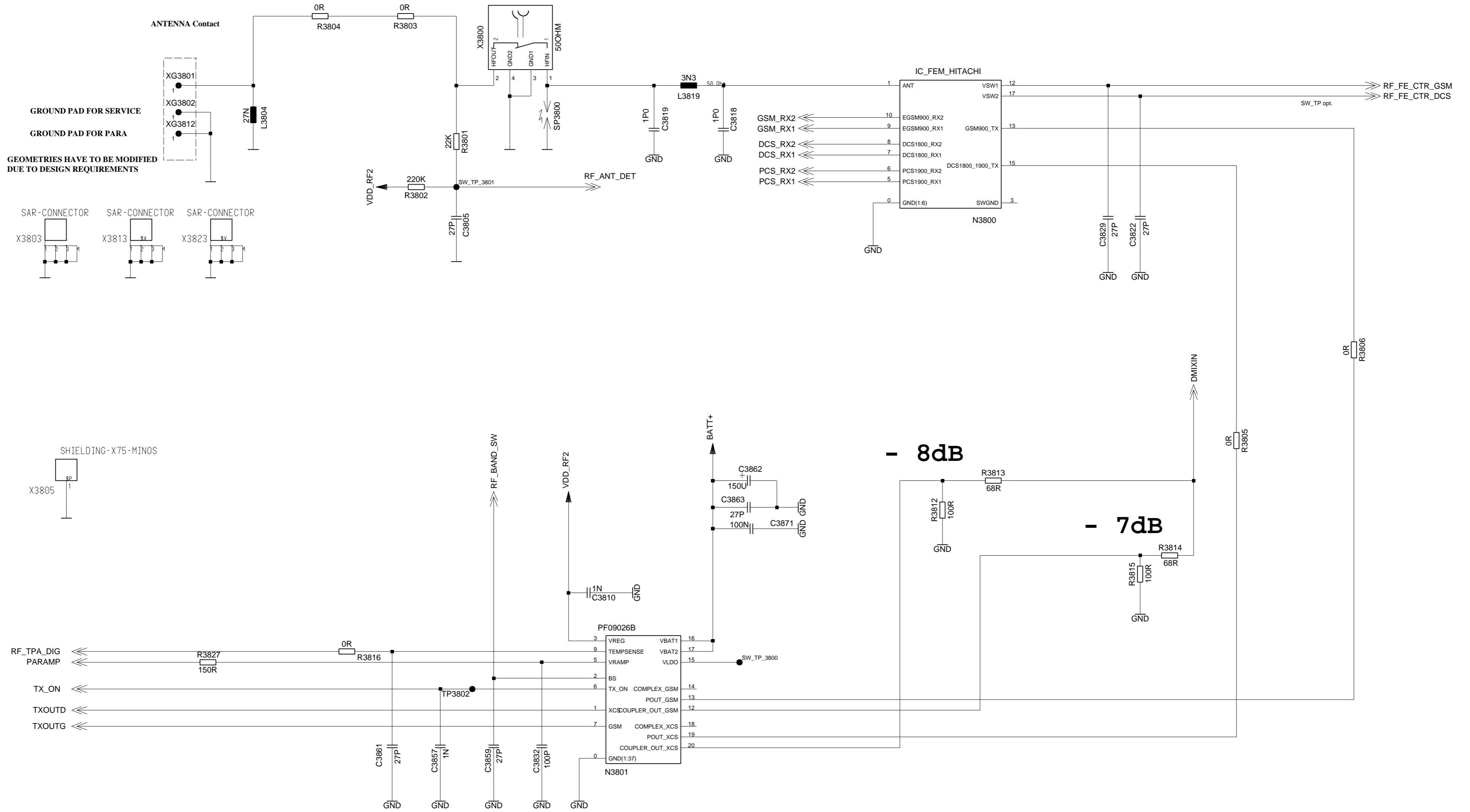
Proprietary data, Company confidential.
all rights reserved

Als Betriebsgeheimnis anvertraut
alle Rechte vorbehalten

ANTENNA_CIRCUIT with small PA

3800-3849

ANT



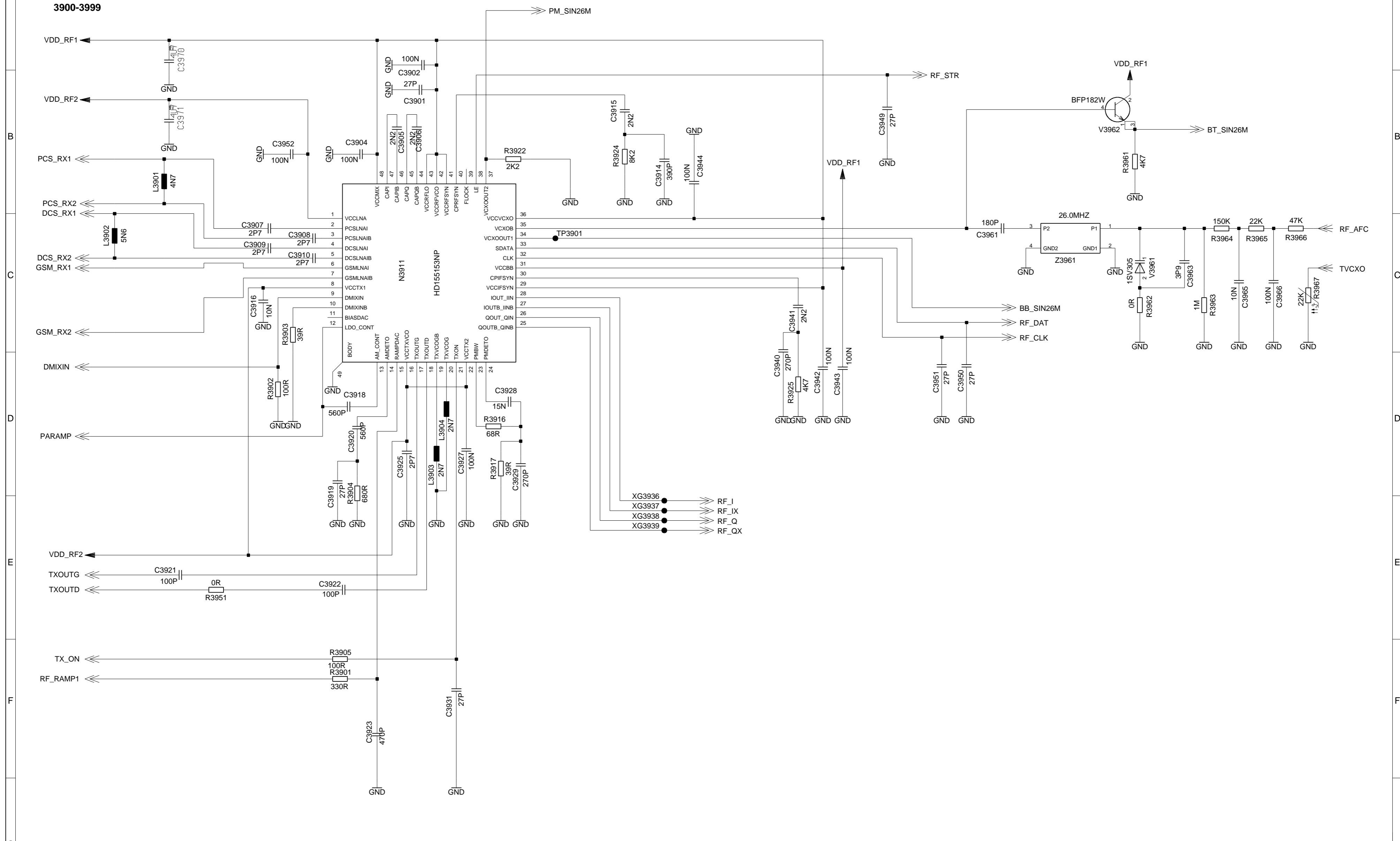
VERS.	CHANGE NUMBER	DATE	NAME	DATE	USER	DATE	NAME	DATE	NAME
8	29606	28.07.2005	Lge	03.06.2004	USER	Lange			
7	28754	24.06.2005	Lge		APPR'D				
6	27378	19.05.2005	Lge						
5	25595	13.05.2005	Lge						
4	23115	23.02.2005	Lge						
3		13.01.2005	LGE						
2		01.12.2004	LGE						
				Siemens AG		MP PD HW 4 KLF			
						90877		sheet38	
(Created by BOM number: A5B00900164465-29606)									

X75 Minos B2
Variante 1
TOP HIERARCHY LEVEL
SCHEMATIC

1:1

RF_HITACHI_BRIGHT

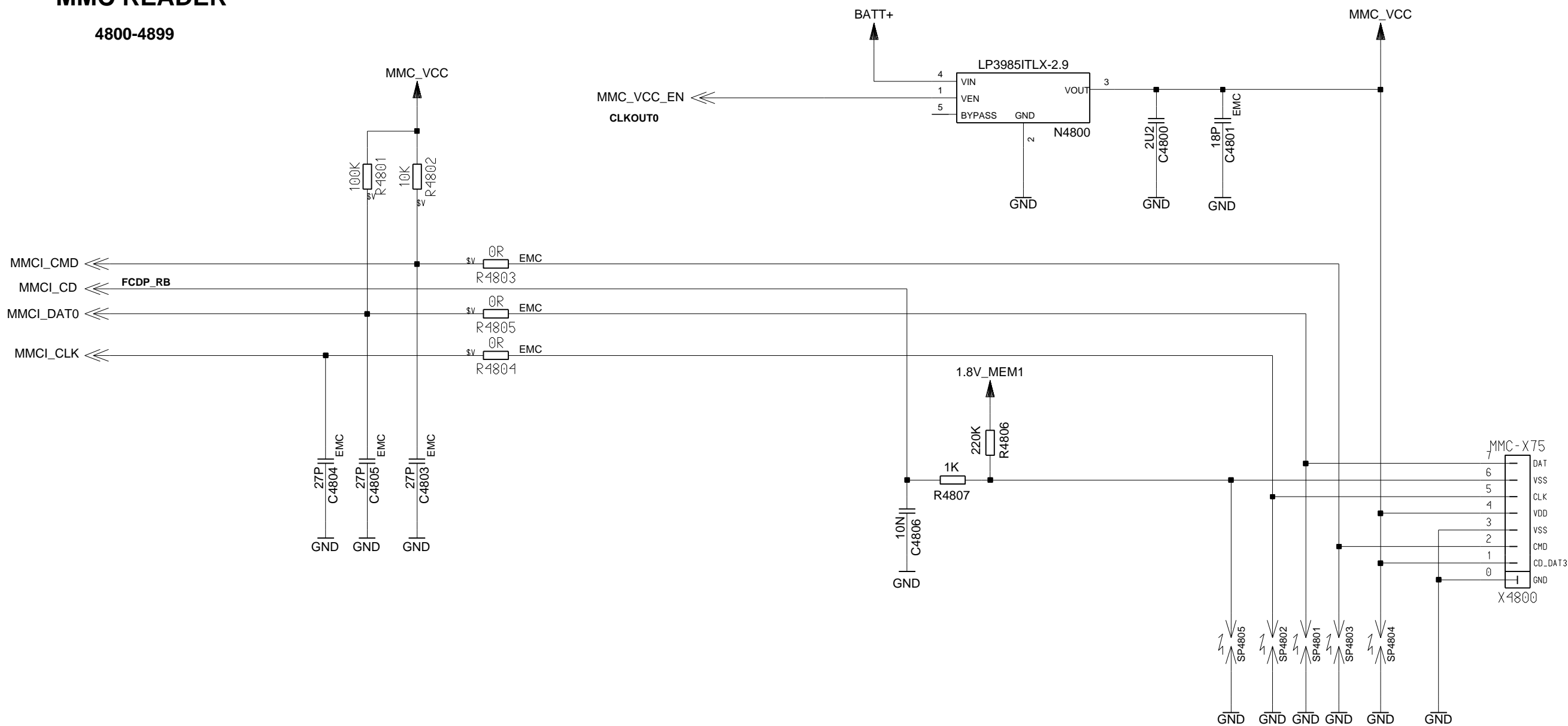
3900-3999



VERS.	CHANGE NUMBER	DATE	NAME	DATE	USER	DATE	NAME
8	29606	28.07.2005	Lge	03.06.2004	USER		
7	28754	24.06.2005	Lge		APPR'D		
6	27378	19.05.2005	Lge				
5	25595	13.05.2005	Lge				
4	23115	23.02.2005	Lge				
3		13.01.2005	LGE				
2		01.12.2004	LGE				
				Siemens AG		MP PD HW 4 KLF	
				X75 Minos B2		Variante 1	
				TOP HIERARCHY LEVEL		SCHEMATIC	
				90877		sheet39	
(Created by BOM number: A5B00900164465-29606)							

MMC READER

4800-4899



Proprietary data, company confidential.
All rights reserved

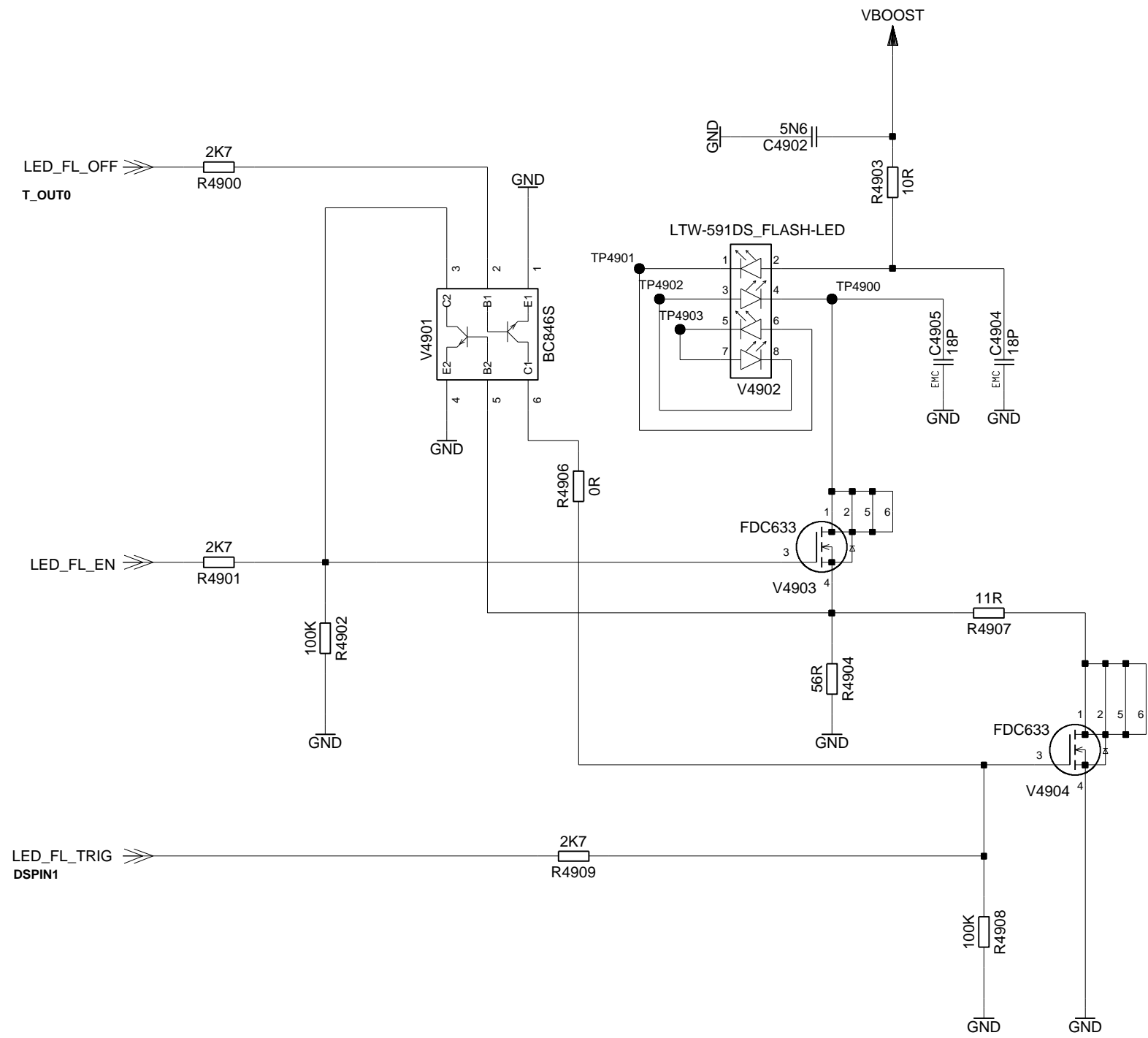
Als Betriebsgeheimnis anvertraut
Alle Rechte vorbehalten

VERS.	CHANGE NUMBER	DATE	NAME	DATE	03.06.2004	X75 Minos B2 Variante 1 TOP HIERARCHY LEVEL SCHEMATIC	1:1
8	29606	28.07.2005	Lge	USER	Lange		
7	28754	24.06.2005	Lge	APPR'D			
6	27378	19.05.2005	Lge				
5	25595	13.05.2005	Lge		MP PD HW 4 KLF		
4	23115	23.02.2005	Lge				
3		13.01.2005	LGE		Siemens AG	90877	sheet48
2		01.12.2004	LGE				

(Created by BOM number: A5B00900164465-29606)

LED FLASHLIGHT

4900-4999



Proprietary data, company confidential.
All rights reserved

Als Betriebsgeheimnis anvertraut
Alle Rechte vorbehalten

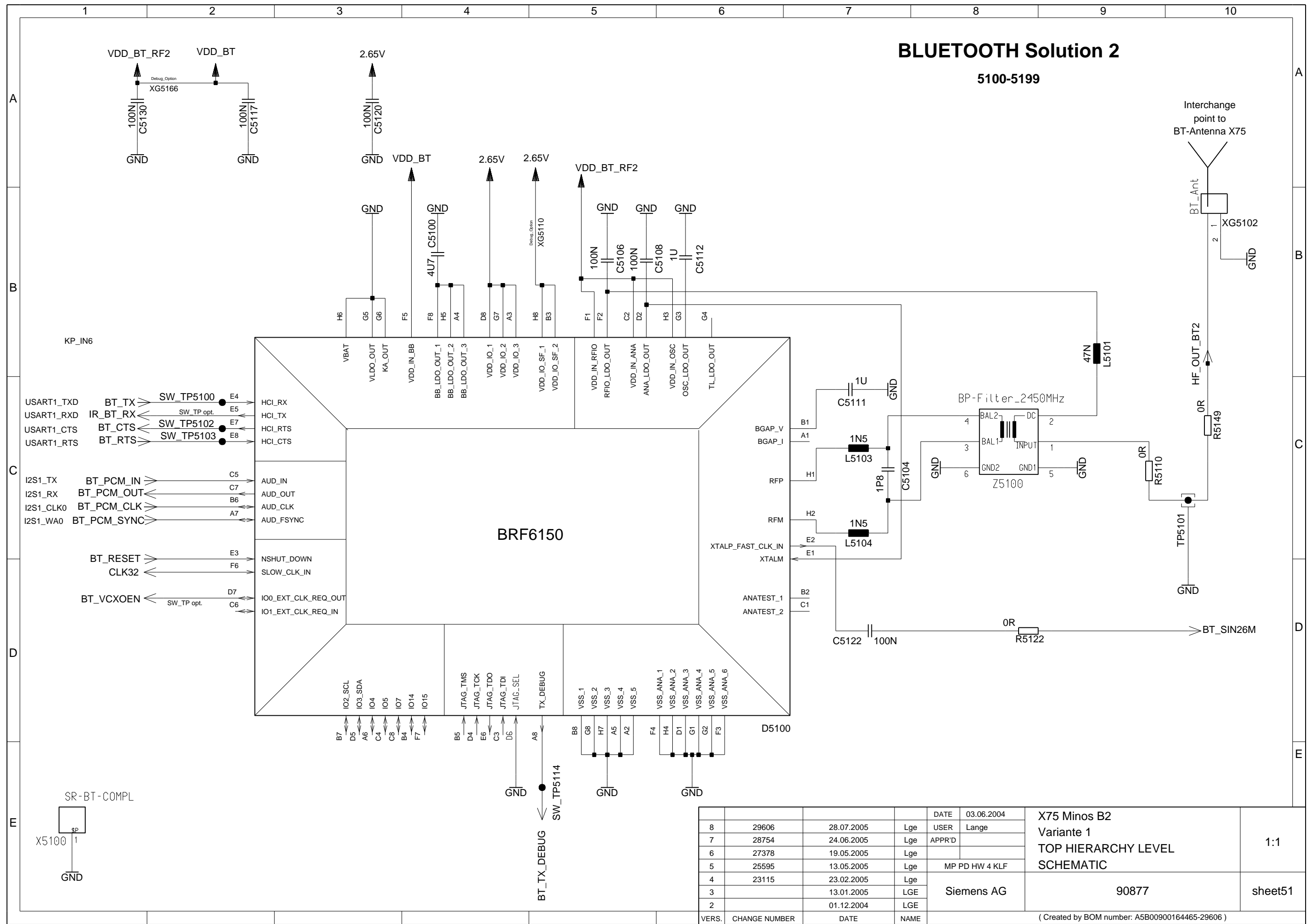
VERS.	CHANGE NUMBER	DATE	NAME	DATE	USER	MP PD HW 4 KLF	X75 Minos B2 Variante 1 TOP HIERARCHY LEVEL SCHEMATIC	90877	sheet49
8	29606	28.07.2005	Lge	03.06.2004	USER	Lange			
7	28754	24.06.2005	Lge		APPR'D				1:1
6	27378	19.05.2005	Lge						
5	25595	13.05.2005	Lge						
4	23115	23.02.2005	Lge						
3		13.01.2005	LGE						
2		01.12.2004	LGE						
					Siemens AG				
							(Created by BOM number: A5B00900164465-29606)		

Proprietary data, company confidential.
All rights reserved

Als Betriebsgeheimnis anvertraut
Alle Rechte vorbehalten

BLUETOOTH Solution 2

5100-5199



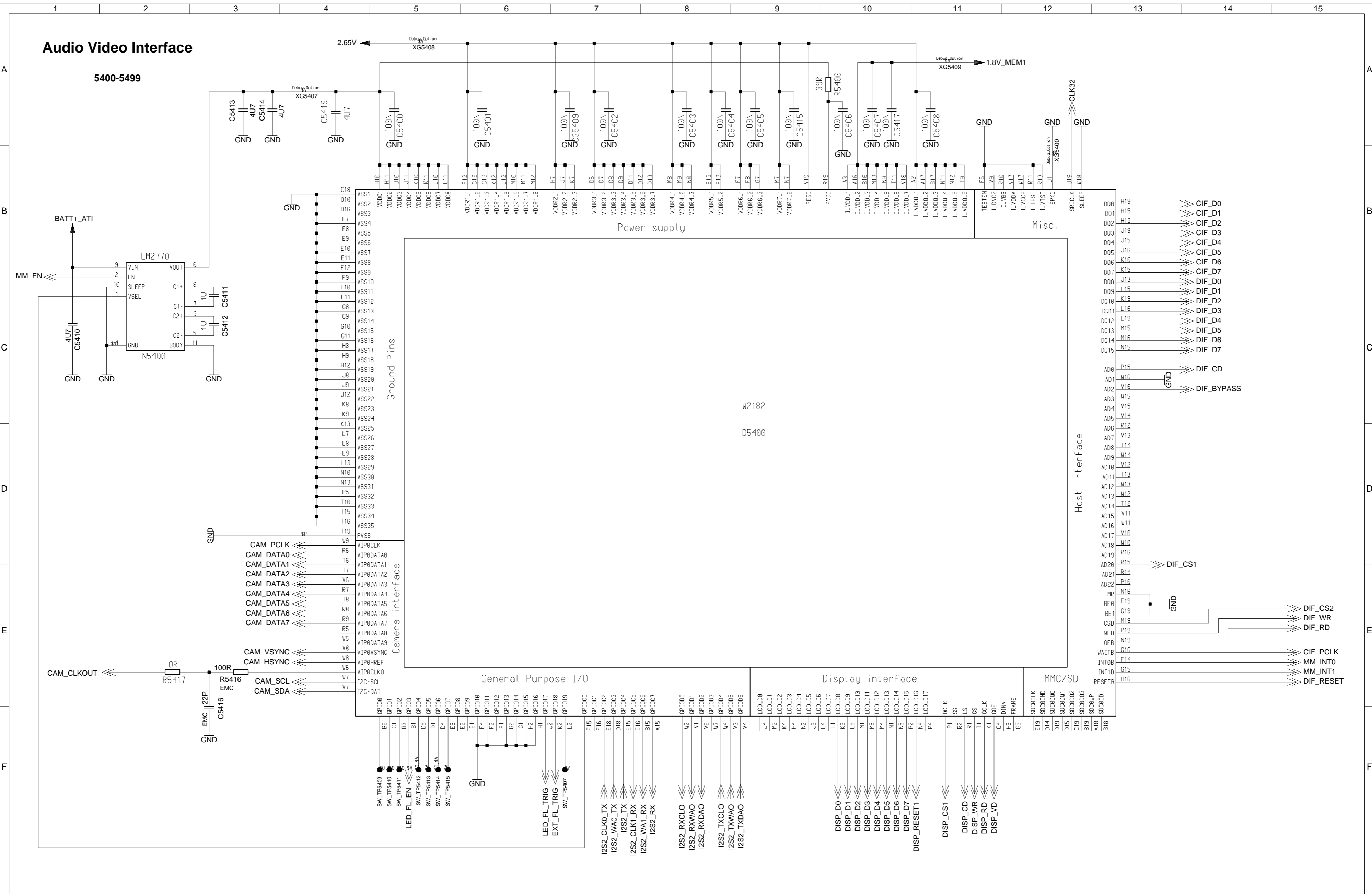
VERS.	CHANGE NUMBER	DATE	NAME	DATE	03.06.2004	X75 Minos B2 Variante 1 TOP HIERARCHY LEVEL SCHEMATIC	1:1
8	29606	28.07.2005	Lge	USER	Lange		
7	28754	24.06.2005	Lge	APPR'D			
6	27378	19.05.2005	Lge				
5	25595	13.05.2005	Lge		MP PD HW 4 KLF		
4	23115	23.02.2005	Lge				
3		13.01.2005	LGE				
2		01.12.2004	LGE				
				Siemens AG		90877	sheet51
(Created by BOM number: A5B00900164465-29606)							

Proprietary data. Company confidential.
all rights reserved

Als Betriebsgeheimnis anvertraut
alle Rechte vorbehalten

Audio Video Interface

5400-5499



VERS.	CHANGE NUMBER	DATE	NAME
8	29606	28.07.2005	Lge USER
7	28754	24.06.2005	Lge APPRD
6	27378	19.05.2005	Lge
5	25595	13.05.2005	Lge
4	23115	23.02.2005	Lge
3		13.01.2005	LGE
2		01.12.2004	LGE

DATE	USER	DESCRIPTION
03.06.2004	Lange	DATE
		MP PD HW 4 KLF

DATE	03.06.2004	X75 Minos B2 Variante 1 TOP HIERARCHY LEVEL SCHEMATIC	1:1
USER	Lange		
APPRD			
Siemens AG	90877	sheet54	

(Created by BOM number: A5B00900164465-29606)

1 2 3 4 5 6 7 8 9 10

A

B

C

D

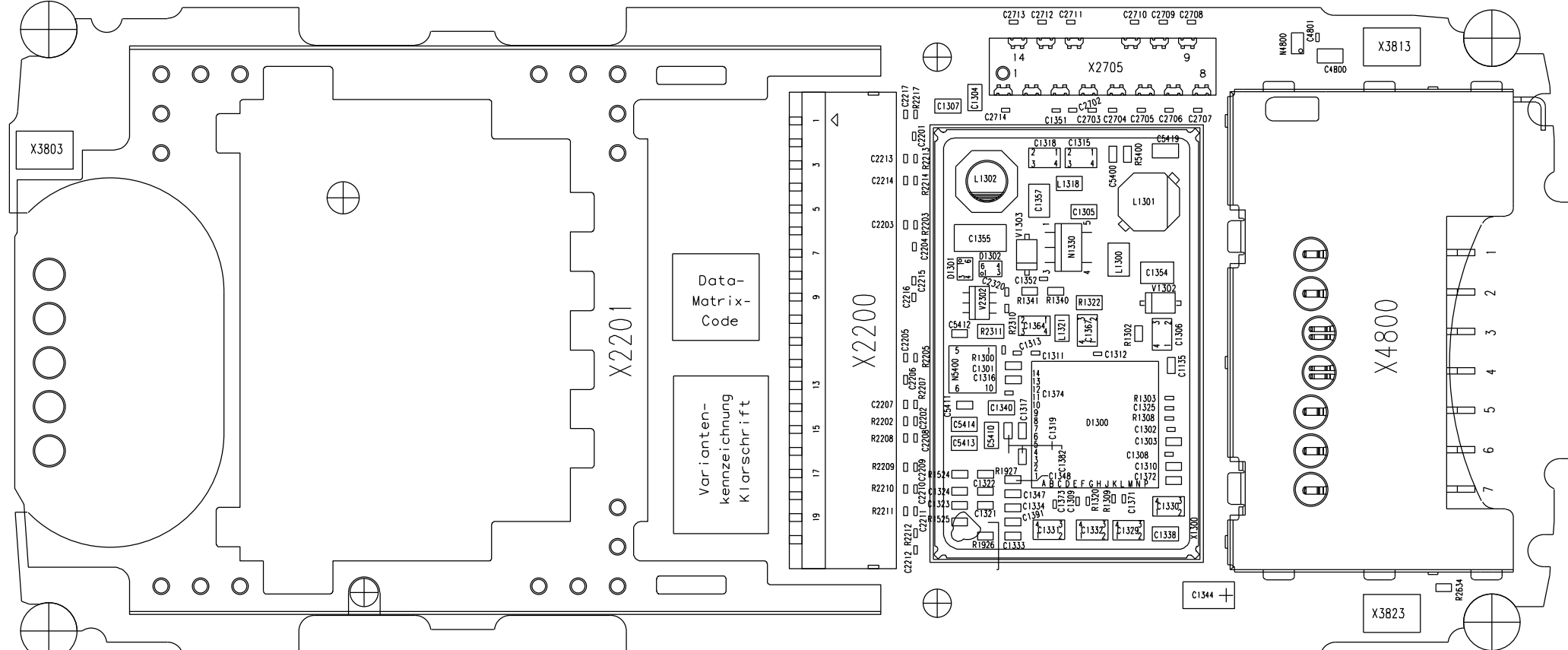
E

A

B

C

D



C1135	7B	C1382	7B	L1301	7A	X4800	9A
C1301	7B	C1391	7B	L1302	6A		
C1302	7B	C2201	6A	L1318	7A		
C1303	7B	C2202	6B	L1321	7B		
C1304	6A	C2203	6A	N1330	7A		
C1305	7A	C2204	6A	N4800	8A		
C1306	7B	C2205	6B	N5400	6B		
C1307	6A	C2206	6B	R1300	7B		
C1308	7B	C2207	6B	R1302	7B		
C1309	7B	C2208	6B	R1303	7B		
C1310	7B	C2209	6B	R1308	7B		
C1311	7B	C2210	6B	R1309	7B		
C1312	7B	C2211	6B	R1320	7B		
C1313	7B	C2212	6C	R1322	7B		
C1315	7A	C2213	6A	R1340	7B		
C1316	7B	C2214	6A	R1341	7B		
C1317	7B	C2215	6B	R1524	6B		
C1318	7A	C2216	6B	R1525	6B		
C1319	7B	C2217	6A	R1926	6B		
C1321	6B	C2320	7B	R1927	7B		
C1322	6B	C2702	7A	R2202	6B		
C1323	6B	C2703	7A	R2203	6A		
C1324	6B	C2704	7A	R2205	6B		
C1325	7B	C2705	7A	R2207	6B		
C1329	7B	C2706	7A	R2208	6B		
C1330	7B	C2707	8A	R2209	6B		
C1331	7B	C2708	8A	R2210	6B		
C1332	7B	C2709	7A	R2211	6B		
C1333	7B	C2710	7A	R2212	6B		
C1334	7B	C2711	7A	R2213	6A		
C1338	7B	C2712	7A	R2214	6A		
C1340	7B	C2713	7A	R2217	6A		
C1344	8C	C2714	7A	R2310	7B		
C1347	7B	C4800	8A	R2311	7B		
C1348	7B	C4801	8A	R2634	9C		
C1351	7A	C5400	7A	R5400	7A		
C1352	7B	C5410	7B	V1302	7B		
C1354	7B	C5411	6B	V1303	7B		
C1355	6A	C5412	6B	V2302	6B		
C1357	7A	C5413	6B	X1300	8C		
C1364	7B	C5414	6B	X2200	6B		
C1367	7B	C5419	7A	X2201	5B		
C1371	7B	D1300	7B	X2705	7A		
C1372	7B	D1301	6B	X3803	2A		
C1373	7B	D1302	6B	X3813	8A		
C1374	7B	L1300	7A	X3823	8C		

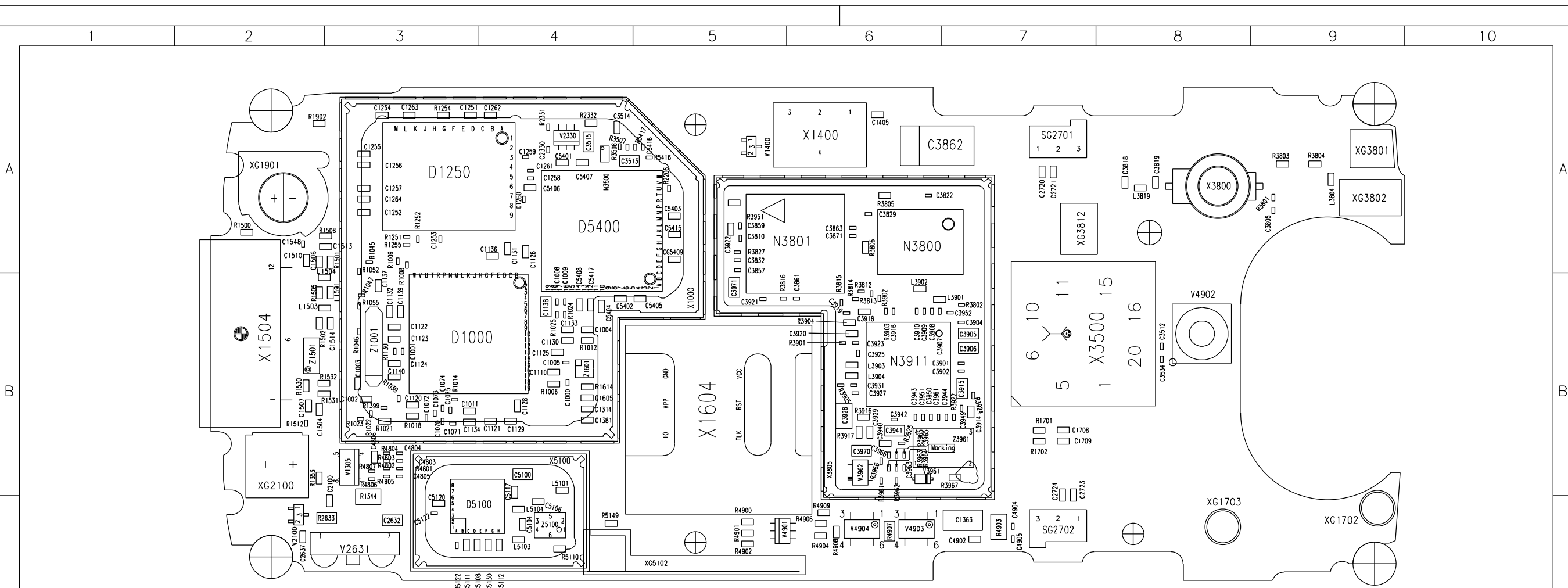
1 2 3 4 5

Achtung : Hoehenprofil C24_...-...-42 (gilt nur fuer Entwicklung)
Liefervarianten siehe : V24851-Z2000-A1-*--35

				DATE	03.06.2004	X75 Minos B2 Variante 1 WIRING DIAGRAMM (SOLDER SIDE 1)	3:1
7	29606	28.07.2005	Lge	NAME	Lange		
6	28754	24.06.2005	Lge	APPR'D			
5	25595	13.05.2005	Lge	STD			
4	23115	23.02.2005	Lge	MP PD HW 4 KLF			
3		13.01.2005	Lge				
2		01.12.2004	Lge	SIEMENS AG		90878	SHEET
1	19591	07.10.2004	Lge				1+
VERS.	CHANGE NUMBER	DATE	NAME	(Created by BOM number: A5B00900164465-29606)			

PROPRIETARY DATA, COMPANY CONFIDENTIAL
ALL RIGHTS RESERVED

ALS BETRIEBSGEHE IMNIS ANVERTRAUT
ALLE RECHTE VORBEHALTEN



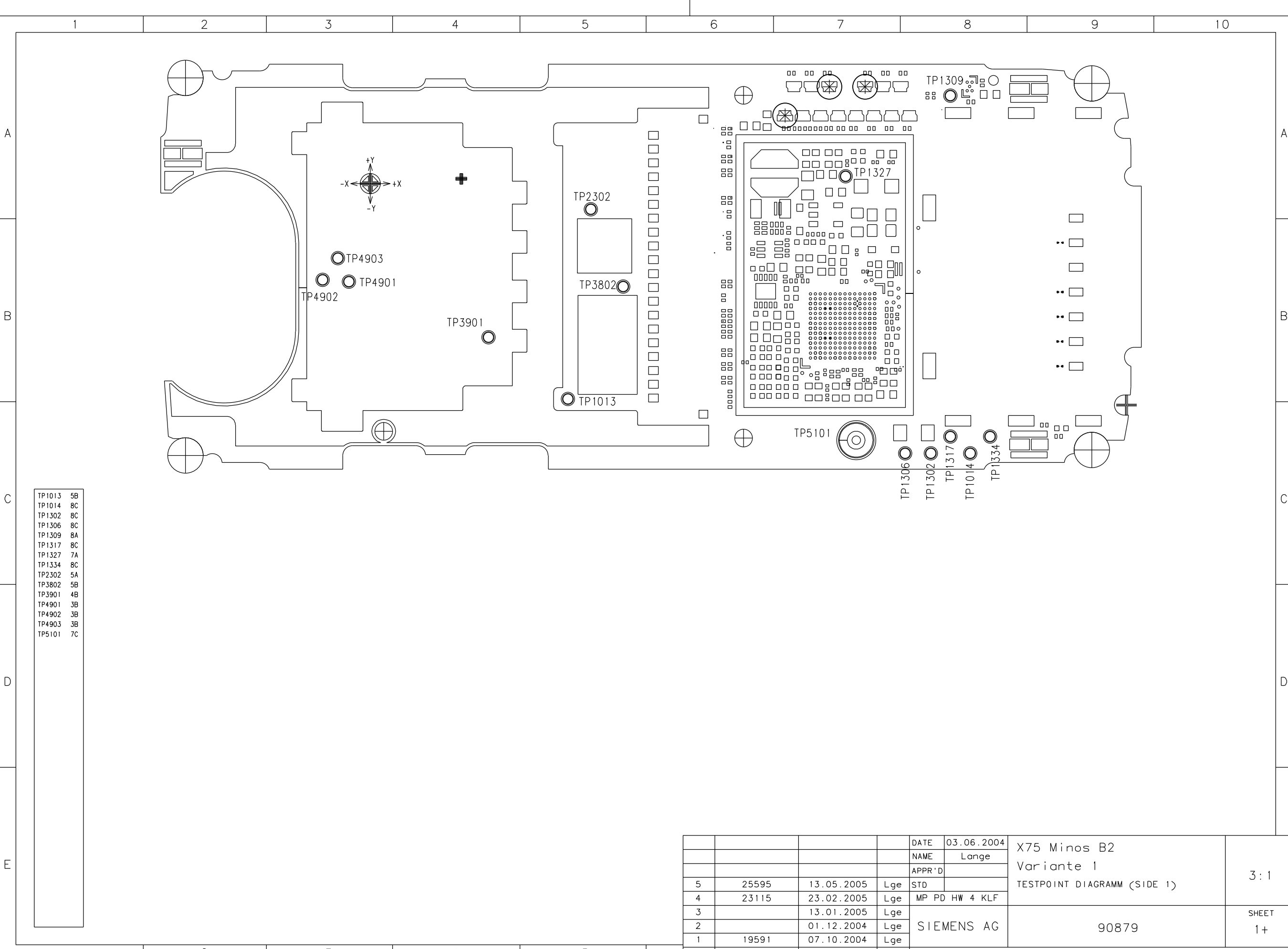
C1000	4B	C1261	4A	C3902	7B	C5104	4C	R1018	3B	R3812	6B	V1305	3B
C1001	3B	C1262	4A	C3904	7B	C5106	4C	R1021	3B	R3813	6B	V1400	5A
C1002	3B	C1263	3A	C3905	7B	C5108	3C	R1022	3B	R3814	6B	V2100	2C
C1003	3B	C1264	3A	C3906	7B	C5111	3C	R1023	3B	R3815	6B	V2330	4A
C1004	4B	C1314	4B	C3907	6B	C5112	4C	R1024	4B	R3816	5B	V2631	3C
C1005	4B	C1363	7C	C3908	6B	C5117	4C	R1025	4B	R3827	5A	V3961	6B
C1008	4B	C1381	4B	C3909	6B	C5120	3C	R1039	3B	R3901	6B	V3962	6B
C1009	4B	C1405	6A	C3910	6B	C5122	3C	R1045	3A	R3902	6B	V4901	5C
C1011	3B	C1504	2B	C3914	7B	C5130	4C	R1046	3B	R3903	6B	V4902	8B
C1070	3B	C1506	2A	C3915	7B	C5401	4A	R1047	3B	R3904	6B	V4903	6C
C1071	3B	C1507	2B	C3916	6B	C5402	4B	R1052	3B	R3905	6B	V4904	6C
C1072	3B	C1510	2A	C3918	6B	C5403	5A	R1055	3B	R3916	6B	X1000	3A
C1073	3B	C1513	3A	C3919	6B	C5404	4B	R1130	3B	R3917	6B	X1400	6A
C1074	3B	C1514	3B	C3920	6B	C5405	5B	R1251	3A	R3922	7B	X1504	2B
C1075	3B	C1548	2A	C3921	5B	C5406	4A	R1252	3A	R3924	7B	X1604	5B
C1110	4B	C1605	4B	C3922	5A	C5407	4A	R1254	3A	R3925	6B	X3500	7B
C1120	3B	C1708	7B	C3923	6B	C5408	4B	R1255	3A	R3951	5A	X3800	8A
C1121	4B	C1709	7B	C3925	6B	C5415	5A	R1344	3C	R3961	6B	X3805	7C
C1122	3B	C2100	3B	C3927	6B	C5416	5A	R1353	2B	R3962	6B	X5100	3C
C1123	3B	C2330	4A	C3928	6B	C5417	4B	R1399	3B	R3963	6B	Z1001	3B
C1124	3B	C2632	3C	C3929	6B	D1000	4B	R1500	2A	R3964	6B	Z1501	2B
C1125	4B	C2637	2C	C3931	6B	D1250	4A	R1501	3A	R3965	6B	Z1601	4B
C1126	4A	C2720	7A	C3940	6B	D5100	3C	R1502	2B	R3966	6B	Z3961	6B
C1128	4B	C2721	7A	C3941	6B	D5400	5B	R1505	2B	R3967	7B	Z5100	4C
C1129	4B	C2723	7C	C3942	6B	L1503	2B	R1508	2A	R4801	3B		
C1130	4B	C2724	7C	C3943	6B	L1504	2B	R1512	2B	R4802	3B		
C1131	4A	C3512	8B	C3944	7B	L1591	3B	R1530	2B	R4803	3B		
C1132	3B	C3513	5A	C3949	7B	L3804	9A	R1531	2B	R4804	3B		
C1133	4B	C3514	4A	C3950	6B	L3819	8A	R1532	2B	R4805	3B		
C1134	3B	C3515	4A	C3951	6B	L3901	6B	R1614	4B	R4806	3B		
C1136	4A	C3534	8B	C3952	7B	L3902	6B	R1701	7B	R4807	3B		
C1137	3B	C3805	9A	C3961	6B	L3903	6B	R1702	7B	R4900	5C		
C1138	4B	C3810	5A	C3963	6B	L3904	6B	R1902	2A	R4901	5C		
C1139	3B	C3818	8A	C3965	6B	L5101	4B	R2206	5A	R4902	5C		
C1140	3B	C3819	8A	C3966	6B	L5103	4C	R2331	4A	R4903	7C		
C1251	3A	C3822	6A	C3970	6B	L5104	4C	R2332	4A	R4904	6C		
C1252	3A	C3829	6A	C3971	5B	N3500	4A	R2633	3C	R4906	6C		
C1253	3A	C3832	5A	C4803	3B	N3800	7A	R3507	4A	R4907	6C		
C1254	3A	C3857	5A	C4804	3B	N3801	5A	R3508	4A	R4908	6C		
C1255	3A	C3859	5A	C4805	3B	N3911	6B	R3801	9A	R4909	6C		
C1256	3A	C3861	6B	C4806	3B	R1006	4B	R3802	7B	R5110	4C		
C1257	3A	C3862	6A	C4902	7C	R1008	3A	R3803	9A	R5122	3C		
C1258	4A	C3863	6A	C4904	7C	R1009	3A	R3804	9A	R5149	4C		
C1259	4A	C3871	6A	C4905	7C	R1012	4B	R3805	6A	R5416	5A		
C1260	4A	C3901	7B	C5100	4B	R1014	3B	R3806	6A	R5417	5A		

Achtung : Hoehenprofil C24_..._..._42 (gilt nur fuer Entwicklung)
Liefervarianten siehe : V24851-Z2000-A1-*35

7	29606	28.07.2005	Lge	NAME	Lange	X75 Minos B2 Variante 1 WIRING DIAGRAMM (SOLDER SIDE 2)	3:1
6	28754	24.06.2005	Lge	APPR'D			
5	25595	13.05.2005	Lge	STD			
4	23115	23.02.2005	Lge	MP PD HW 4 KLF			
3		13.01.2005	Lge			90878	SHEET 2+
2		01.12.2004	Lge	SIEMENS AG			
1	19591	07.10.2004	Lge				
VERS.	CHANGE NUMBER	DATE	NAME	(Created by BOM number: A5B00900164465-29606)			

PROPRIETARY DATA, COMPANY CONFIDENTIAL
ALL RIGHTS RESERVED

ALS BETRIEBSGEHE IMNIS ANVERTRAUT
ALLE RECHTE VORBEHALTEN



TP1013	5B
TP1014	8C
TP1302	8C
TP1306	8C
TP1309	8A
TP1317	8C
TP1327	7A
TP1334	8C
TP2302	5A
TP3802	5B
TP3901	4B
TP4901	3B
TP4902	3B
TP4903	3B
TP5101	7C

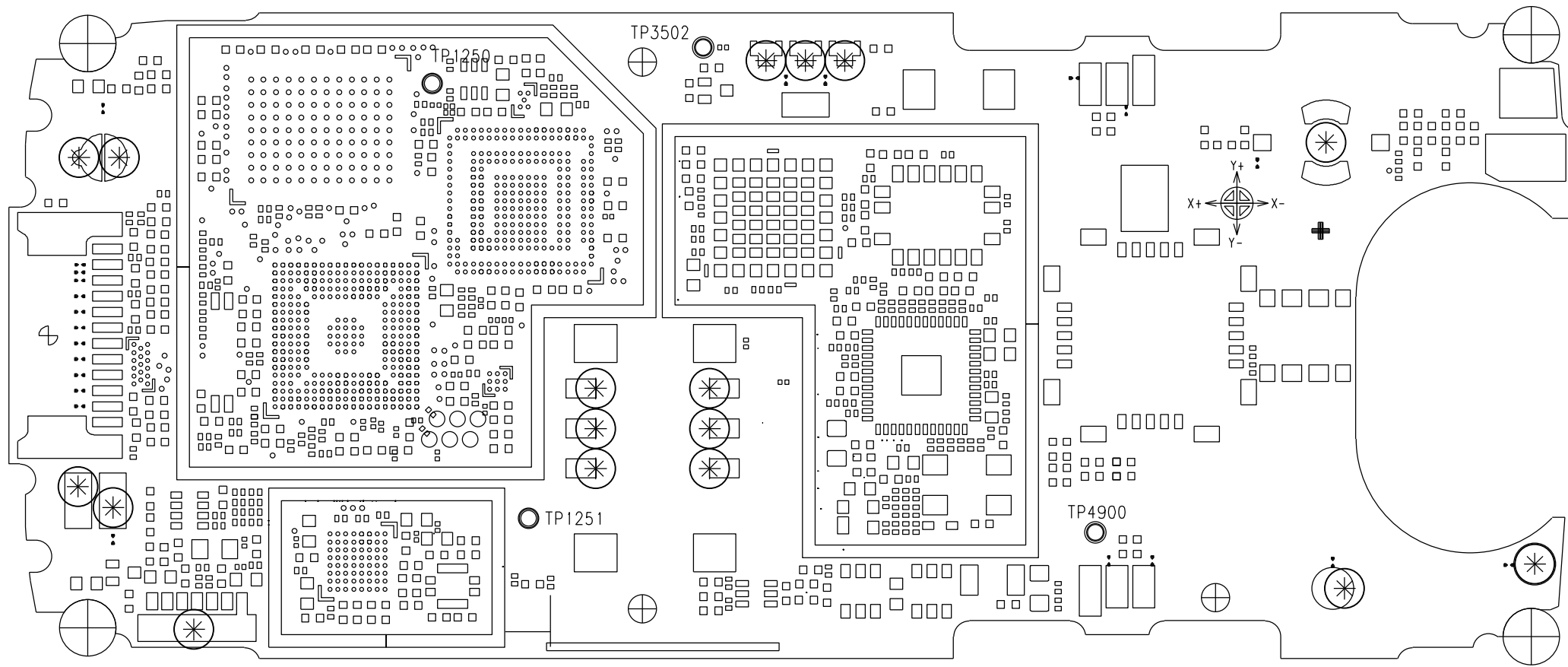
				DATE	03.06.2004	X75 Minos B2 Variante 1	3:1
				NAME	Lange		
				APPR'D		TESTPOINT DIAGRAMM (SIDE 1)	SHEET 1+
5	25595	13.05.2005	Lge	STD			
4	23115	23.02.2005	Lge	MP PD HW 4 KLF			
3		13.01.2005	Lge				
2		01.12.2004	Lge	SIEMENS AG			
1	19591	07.10.2004	Lge				
VERS.	CHANGE NUMBER	DATE	NAME	(Created by BOM number: A5B00900164465-25595)			

90879

PROPRIETARY DATA, COMPANY CONFIDENTIAL
ALL RIGHTS RESERVED

ALS BETRIEBSGEHEIMNIS ANVERTRAUT
ALLE RECHTE VORBEHALTEN

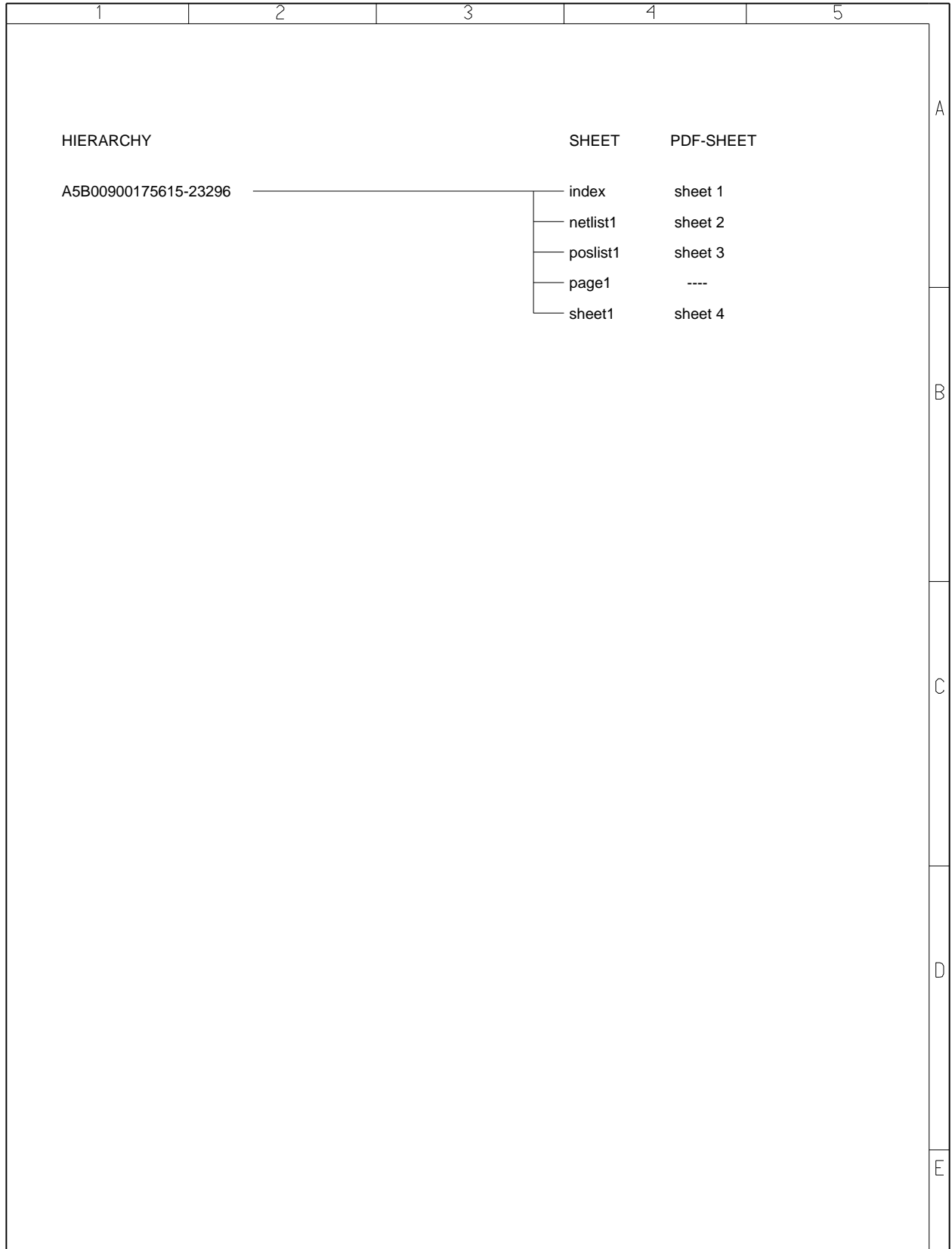
TP1250 4A
TP1251 4B
TP3502 5A
TP4900 7B



VERS.	CHANGE NUMBER	DATE	NAME	DATE	03.06.2004	X75 Minos B2 Variante 1 TESTPOINT DIAGRAMM (SIDE 2)	3:1
				NAME	Lange		
				APPR'D			
5	25595	13.05.2005	Lge	STD			
4	23115	23.02.2005	Lge	MP PD HW 4 KLF			
3		13.01.2005	Lge				
2		01.12.2004	Lge				
1	19591	07.10.2004	Lge	SIEMENS AG		90879	SHEET 2-
(Created by BOM number: A5B00900164465-25595)							

Proprietary data, company confidential.
All rights reserved

Als Betriebsgeheimnis anvertraut
Alle Rechte vorbehalten



				DATE	11.11.2004	MMI X75 Minos variant 1 / 2_Layer TOP HIERARCHY LEVEL SCHEMATIC	1:1
				USER	Jaeschke		
				APPR'D			
				MP PD HW4 KLF			
2	23297	28.01.2005	Lge	Siemens AG		102117	index
1	20921	11.11.2004	jae				
VERS.	CHANGE NUMBER	DATE	NAME	(Created by BOM number: A5B00900169438-23297)			

Proprietary data, company confidential.
All rights reserved

Als Betriebsgeheimnis anvertraut
Alle Rechte vorbehalten

	1	2	3	4	5	
	<p>KB_ON_OFF /sheet1 10 B /sheet1 3 E</p> <p>KP_IN0 /sheet1 9 C /sheet1 1 B</p> <p>KP_IN1 /sheet1 9 C /sheet1 1 B</p> <p>KP_IN2 /sheet1 9 C /sheet1 1 C</p> <p>KP_IN3 /sheet1 9 C /sheet1 1 C</p> <p>KP_IN4 /sheet1 9 B /sheet1 1 D</p> <p>KP_IN5_OUT6 /sheet1 10 B /sheet1 4 D</p> <p>KP_OUT0 /sheet1 10 C /sheet1 1 D</p> <p>KP_OUT1 /sheet1 10 C /sheet1 2 D</p> <p>KP_OUT2 /sheet1 10 C /sheet1 3 D</p> <p>KP_OUT3 /sheet1 10 B /sheet1 4 D</p> <p>LIGHT_KP /sheet1 10 B /sheet1 9 D</p> <p>VCC_LIGHT /sheet1 9 A /sheet1 10 C</p>					A
						B
						C
						D
						E

				DATE	11.11.2004	MMI X75 Minos variant 1 / 2_Layer TOP HIERARCHY LEVEL SCHEMATIC	1:1
				USER	Jaeschke		
				APPR'D			
				MP PD HW4 KLF			
2	23297	28.01.2005	Lge	Siemens AG		102117	netlist1
1	20921	11.11.2004	jae				
VERS.	CHANGE NUMBER	DATE	NAME	(Created by BOM number: A5B00900169438-23297)			

Proprietary data, company confidential.
All rights reserved

Als Betriebsgeheimnis anvertraut
Alle Rechte vorbehalten

	1	2	3	4	5	
	TP16 /sheet1 8 D TP15 /sheet1 8 C TP12 /sheet1 8 A TP13 /sheet1 8 B TP14 /sheet1 8 C TP11 /sheet1 8 A V11 /sheet1 8 A V12 /sheet1 8 B V13 /sheet1 8 B V14 /sheet1 8 C V15 /sheet1 8 C V16 /sheet1 8 D					A
						B
						C
						D
						E

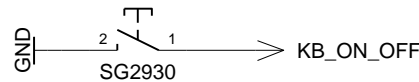
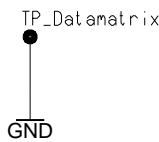
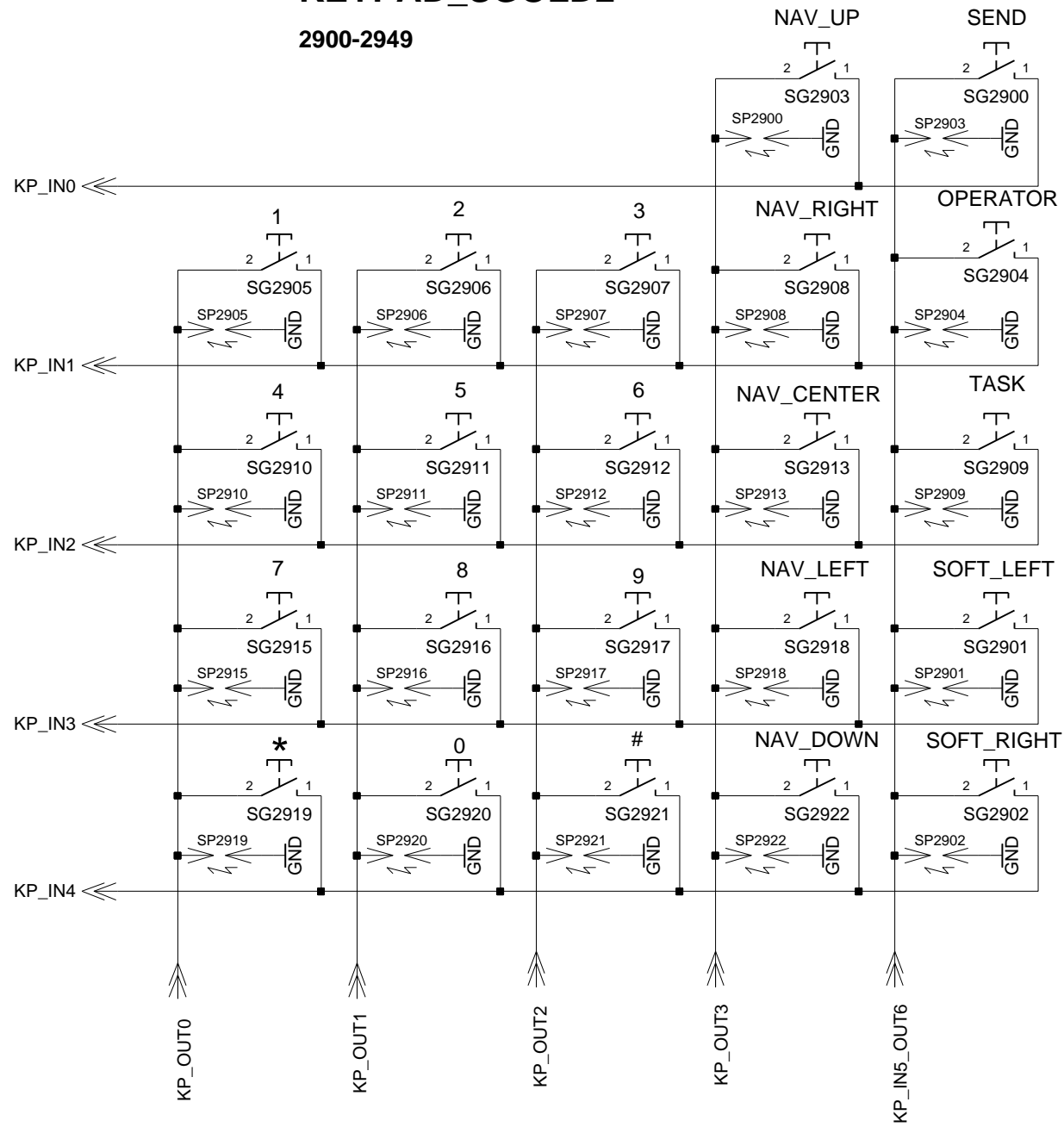
				DATE	11.11.2004	MMI X75 Minos variant 1 / 2_Layer TOP HIERARCHY LEVEL SCHEMATIC	1:1
				USER	Jaeschke		
				APPR'D			
				MP PD HW4 KLF			
2	23297	28.01.2005	Lge	Siemens AG		102117	poslist1
1	20921	11.11.2004	jae				
VERS.	CHANGE NUMBER	DATE	NAME	(Created by BOM number: A5B00900169438-23297)			

Proprietary data, company confidential.
All rights reserved

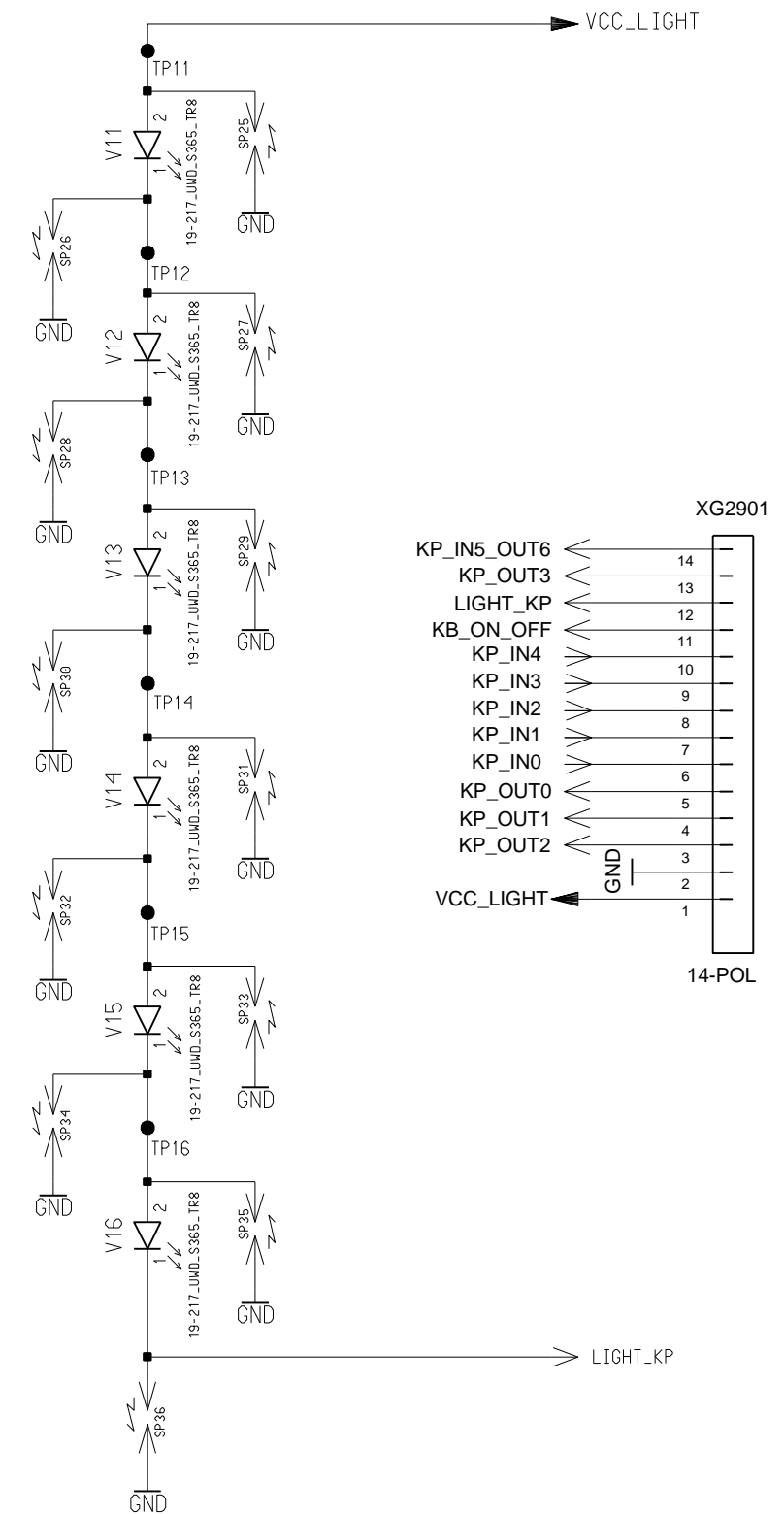
Als Betriebsgeheimnis anvertraut
Alle Rechte vorbehalten

KEYPAD_SGOLD2

2900-2949



	MINOS
0	X
1	X
2	X
3	X
4	X
5	X
6	X
7	X
8	X
9	X
*	X
#	X
SEND	X
END	X
SOFT LEFT	X
SOFT RIGHT	X
OPERATOR	X
TASK	X
CUSTOMER	
NAVI UP	X
NAVI LEFT	X
NAVI RIGHT	X
NAVI CENTER	X
NAVI DOWN	X
SIDE1/ SIDE2	X
SIDE3/ SIDE4	X



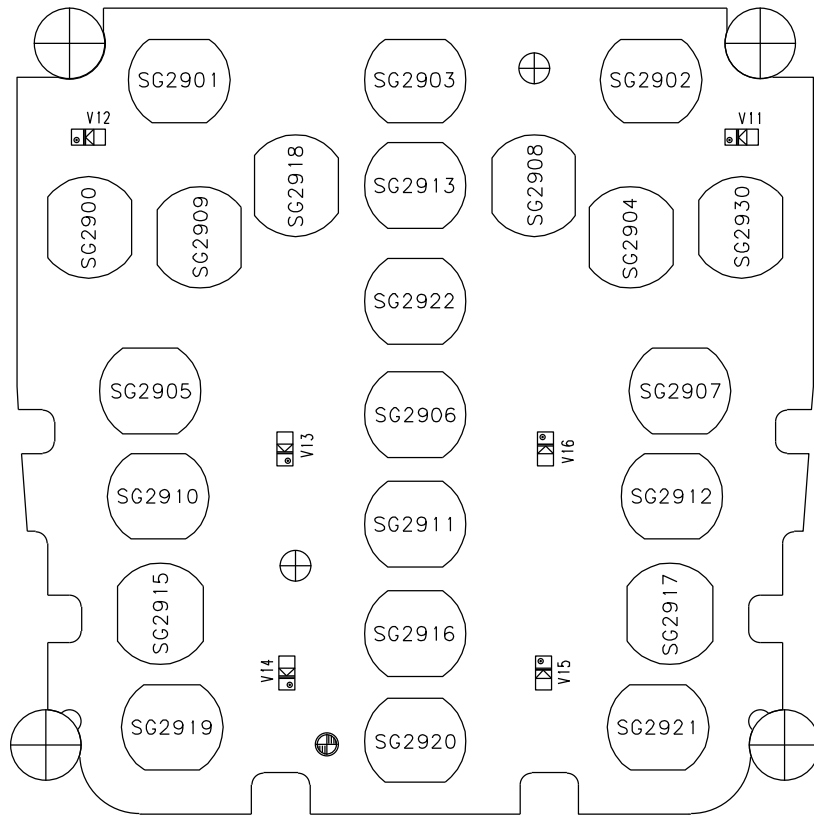
VERS.	CHANGE NUMBER	DATE	NAME	DATE	USER	APPR'D	MP PD HW4 KLF	MMI X75 Minos variant 1 / 2_Layer TOP HIERARCHY LEVEL SCHEMATIC	1:1
2	23297	28.01.2005	Lge	11.11.2004	Jaeschke		Siemens AG	102117	sheet1
1	20921	11.11.2004	jae						

(Created by BOM number: A5B00900169438-23297)

PROPRIETARY DATA, COMPANY CONFIDENTIAL
ALL RIGHTS RESERVED

ALS BETRIEBSGEHEIMNIS ANVERTRAUT
ALLE RECHTE VORBEHALTEN

1 2 3 4 5



V11	4A
V12	1A
V13	2B
V14	2B
V15	3B
V16	3B

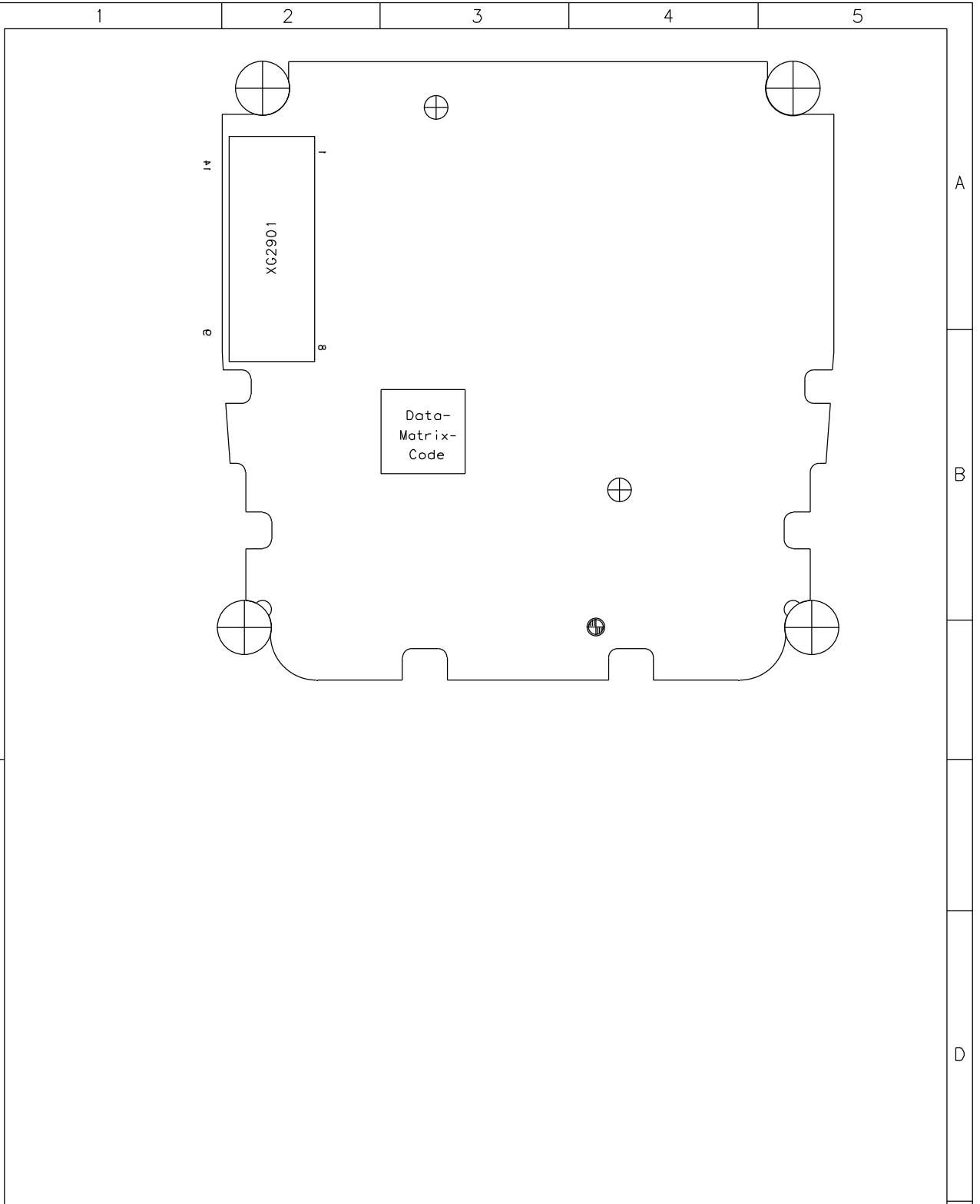
Achtung : Hoehenprofil C24 ___-___-___-42 (gilt nur fuer Entwicklung)
Liefervarianten siehe : V24851-Z2000-A1-*35

				Datum	11.11.2004	MMI X75 Minos variant 1 / 2_Layer WIRING DIAGRAM (SOLDER SIDE 1)	3:1
				Bearb	Joeschke		
				Gepf.			
				Norm			
				MP PD HW4 KLF			
3	26506	21.04.2005	Lge	Siemens AG		102118	Blatt 1+
2	23297	28.01.2005	Lge				
1	20921	11.11.2004	joe				
Zust.	Mitteilung	Datum	Name	(Created by BOM number: A5B00900169438-26506)			

A
B
D
E

PROPRIETARY DATA, COMPANY CONFIDENTIAL
ALL RIGHTS RESERVED

ALS BETRIEBSGEHEIMNIS ANVERTRAUT
ALLE RECHTE VORBEHALTEN



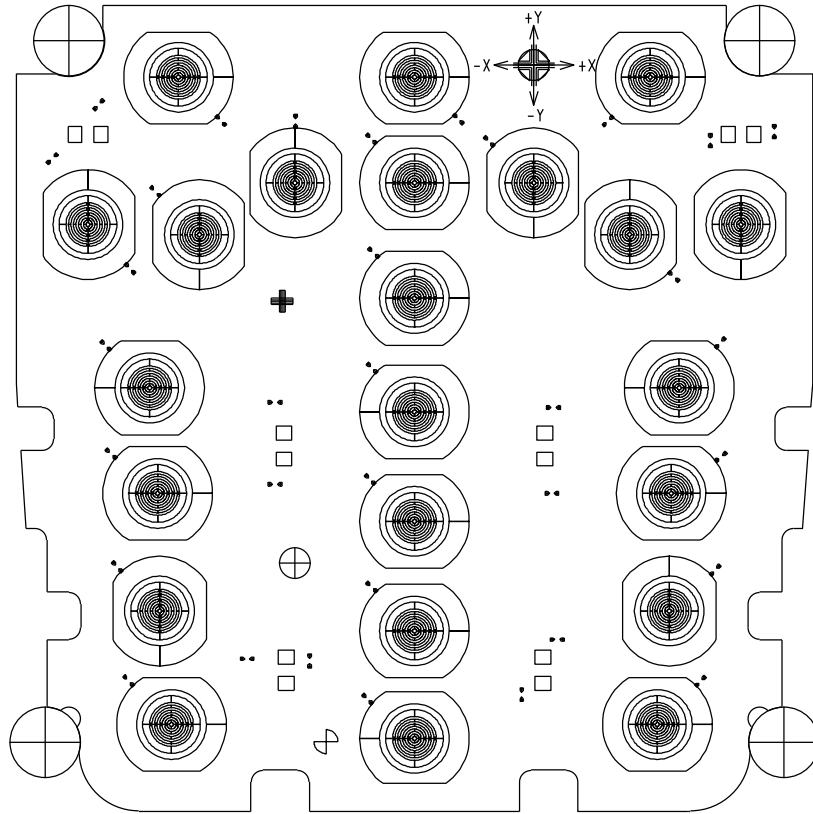
Achtung : Höhenprofil C24____-____-____-42 (gilt nur fuer Entwicklung)
Liefervarianten siehe : V24851-Z2000-A1-*-35

				Datum	11.11.2004	MMI X75 Minos variant 1 / 2_Layer WIRING DIAGRAM (SOLDER SIDE 2)	3:1
				Bearb	Joeschke		
				Gepr.			
				Norm			
				MP PD HW4 KLF			
3	26506	21.04.2005	Lge	Siemens AG		102118	Blatt
2	23297	28.01.2005	Lge				2+
1	20921	11.11.2004	joe				
Zust.	Mitteilung	Datum	Name	(Created by BOM number: A5B00900169438-26506)			

PROPRIETARY DATA, COMPANY CONFIDENTIAL
ALL RIGHTS RESERVED

ALS BETRIEBSGEHEIMNIS ANVERTRAUT
ALLE RECHTE VORBEHALTEN

1 2 3 4 5



A

B

D

E

				Datum	11.11.2004	MMI X75 Minos variant 1 / 2_Layer TESTPOINT DIAGRAM (SIDE 1)	3:1
				Bearb	Joeschke		
				Gepr.			
				Norm			
					MP PD HW4 KLF		
2	23297	28.01.2005	Lge	Siemens AG	102119	Blatt	1+
1	20921	11.11.2004	joe				
Zust.	Mitteilung	Datum	Name	(Created by BOM number: A5B00900169438-23297)			

PROPRIETARY DATA, COMPANY CONFIDENTIAL
ALL RIGHTS RESERVED

ALS BETRIEBSGEHEIMNIS ANVERTRAUT
ALLE RECHTE VORBEHALTEN

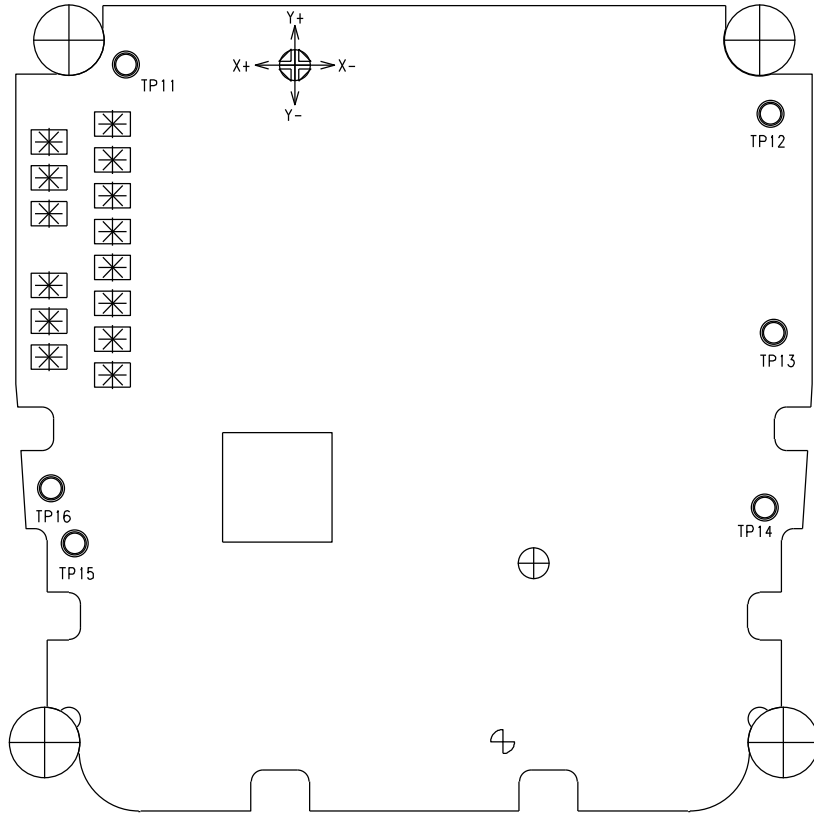
1 2 3 4 5

A

B

D

E



TP11	2A
TP12	5A
TP13	5A
TP14	5B
TP15	2B
TP16	2B

				Datum	11.11.2004	MMI X75 Minos variant 1 / 2_Layer TESTPOINT DIAGRAM (SIDE 2)	3:1
				Bearb	Joeschke		
				Gepr.			
				Norm			
					MP PD HW4 KLF		
2	23297	28.01.2005	Lge	Siemens AG	102119		Blatt 2-
1	20921	11.11.2004	joe				
Zust.	Mitteilung	Datum	Name	(Created by BOM number: A5B00900169438-23297)			