

Proprietary data, company confidential.  
All rights reserved

Als Betriebsgeheimnis anvertraut  
Alle Rechte vorbehalten

1	2	3	4	5
HIERARCHY			SHEET	PDF-SHEET
A5B00900155656-17007			index	sheet 1
			netlist1	sheet 2
			poslist1	sheet 3
			page1	----
			sheet4	sheet 4
			sheet9	sheet 5
			sheet10	sheet 6
			sheet11	sheet 7
			sheet12	sheet 8
			sheet13	sheet 9
			sheet14	sheet 10
			sheet15	sheet 11
			sheet16	sheet 12
			sheet19	sheet 13
			sheet21	sheet 14
			sheet26	sheet 15
			sheet28	sheet 16
			sheet31	sheet 17
			sheet34	sheet 18
			sheet38	sheet 19
			sheet39	sheet 20
			sheet42	sheet 21

**Confidential**  
Copyright © Siemens AG

				DATE	27.05.2004	NEO Mainboard B2.2 Q4960-A8 TOP HIERARCHY LEVEL SCHEMATIC	1:1
				USER	Bartenschl.		
				APPR'D			
					HW4 MCH1		
				Siemens AG		80615	index
2	17007	28.07.2004	bar				
1	16363	30.06.2004	bar				
VERS.	CHANGE NUMBER	DATE	NAME	( Created by BOM number: A5B00900155657-17007 )			

Proprietary data, company confidential.  
All rights reserved

Als Betriebsgeheimnis anvertraut  
Alle Rechte vorbehalten

	1	2	3	4	5	6	7	8	9	10	
1.5V_DSP /sheet11 11 C /sheet13 9 B	/sheet10 13 E /sheet15 7 G	/sheet4 10 F	/sheet10 7 G /sheet12 7 B	GSM_PA_IN /sheet39 1 F /sheet39 9 E	/sheet13 7 D /sheet13 10 E	/sheet13 8 F /sheet13 3 F	/sheet9 4 D /sheet4 6 D /sheet34 2 C	/sheet39 15 B /sheet10 6 B /sheet4 4 E /sheet4 2 E /sheet39 1 B	/sheet13 11 B /sheet13 2 B /sheet13 6 F	VBOOST /sheet9 4 B /sheet13 12 B /sheet4 9 B /sheet4 12 B	/sheet16 9 C VDD_USB /sheet11 5 B /sheet13 9 B /sheet15 5 F
1.5V_UC /sheet11 5 B /sheet11 11 D /sheet13 9 B	AC_TX /sheet10 13 E /sheet15 7 G	BT_PCM_IN /sheet10 13 D /sheet42 3 C /sheet4 10 F	CS_SDRAM /sheet10 7 G /sheet12 12 A /sheet12 11 D	HF_OUT /sheet42 9 C	LIGHT_QWERTY /sheet28 8 D /sheet31 10 A	PM_INT /sheet10 13 D /sheet13 6 F	PX_IN4 /sheet9 4 C /sheet31 6 D /sheet34 2 C	RF_ANT_DET /sheet10 6 A /sheet4 2 D /sheet4 4 D /sheet38 7 D	RF_STR /sheet10 7 B /sheet4 2 A /sheet4 4 A /sheet4 10 D /sheet39 15 C	STEPUP_GND /sheet13 11 D /sheet13 9 H /sheet13 11 D /sheet13 11 C /sheet13 11 D /sheet13 11 D /sheet13 12 C /sheet13 11 D	VBOOST_FB /sheet13 2 C /sheet13 12 B VBUCK /sheet13 12 A /sheet13 2 B VBUCK_FB /sheet13 10 A /sheet13 2 C WAIT /sheet10 6 G /sheet12 6 C
1.8V_MEM1 /sheet11 11 D /sheet11 7 B /sheet12 12 B /sheet12 13 B /sheet13 9 B	ADV /sheet10 6 G /sheet12 15 E /sheet12 7 B /sheet12 7 E	BT_PCM_OUT /sheet10 13 D /sheet42 3 C /sheet4 10 F	CTS /sheet15 3 G /sheet15 10 B	HF_OUT1 /sheet39 1 D /sheet38 4 C	MIC1A /sheet13 1 E /sheet19 7 C	PM_ON_OFF /sheet9 2 E /sheet10 5 G /sheet13 7 C	PX_IN5 /sheet9 4 C /sheet31 6 D /sheet34 2 C	RF_BAND_SW /sheet10 6 B /sheet4 2 E /sheet4 4 E /sheet39 6 F	RF_TXONPA /sheet10 5 B /sheet4 2 C /sheet4 4 C /sheet39 1 F	STEREO1_OUT /sheet13 6 E /sheet15 11 B	VREFEXS_GND /sheet13 2 E /sheet13 7 H /sheet13 4 F
1.8V_MEM2 /sheet9 4 B /sheet12 1 D /sheet12 6 B /sheet12 1 A /sheet12 6 E /sheet13 9 B /sheet13 9 C /sheet42 5 B /sheet42 4 A /sheet4 14 F	AKKU_TYP /sheet10 9 B /sheet14 5 A /sheet4 2 F /sheet4 4 F	BT_PCM_SYNC /sheet10 13 D /sheet42 3 C /sheet4 10 F	D(0:15) /sheet10 9 G /sheet12 12 B /sheet12 5 C /sheet12 15 B	HW_DET_MOB_TYPE1 /sheet10 3 D /sheet10 2 F	MIC1B /sheet13 1 E /sheet19 7 C	PM_RESET_1.8V /sheet12 7 B /sheet13 7 C	PX_IN6 /sheet9 4 C /sheet31 6 D /sheet34 2 B	RF_CLK /sheet10 7 B /sheet4 4 A /sheet4 2 A /sheet4 10 D /sheet39 15 C	STEREO2_OUT /sheet13 6 E /sheet15 11 B	RTS /sheet15 3 G /sheet15 10 B	VCXOEN_UC /sheet10 1 E /sheet13 2 C
2.65V /sheet9 8 E /sheet9 11 E /sheet10 2 F /sheet10 10 A /sheet10 15 D /sheet11 7 B /sheet11 11 C /sheet11 5 B /sheet11 8 B /sheet11 8 B /sheet13 3 D /sheet14 5 A /sheet15 5 F /sheet34 4 B /sheet4 14 F /sheet4 2 F /sheet4 4 F /page1 2 B	BATT+ /sheet10 15 A /sheet12 6 B /sheet12 1 A /sheet12 6 E /sheet13 9 B /sheet13 9 C /sheet42 5 B /sheet42 4 A /sheet4 14 F	BT_RESET /sheet13 7 D /sheet42 3 D /sheet4 10 F	DB_ETMCLK /sheet10 3 D	HW_DET_MOB_TYPE2 /sheet10 3 D /sheet10 2 G	MICEA /sheet13 1 E /sheet15 10 B	PM_RF2_EN /sheet10 6 B /sheet13 2 C	PX_IN7 /sheet31 6 D /sheet34 2 B	RF_DAT /sheet10 7 B /sheet4 4 A /sheet4 2 A /sheet4 10 D /sheet39 15 C	RX /sheet15 10 A /sheet15 3 G	SDCLKI /sheet10 6 G /sheet12 9 A	TENV /sheet10 13 A /sheet4 2 C /sheet4 4 C /sheet4 10 C /sheet39 15 B
2.9V /sheet9 4 B /sheet11 5 B /sheet13 9 B /sheet26 1 A /sheet28 7 C /sheet42 5 A /sheet42 5 B /sheet42 5 A /sheet4 14 F /sheet4 4 F /page1 2 B	BATT+_F /sheet13 12 D /sheet13 10 E /sheet13 1 B /sheet15 3 E /sheet15 4 E /sheet26 4 A /sheet4 10 C	BT_SIN26M /sheet42 9 D /sheet4 4 F /sheet4 2 F /sheet39 13 A	DB_RTCK /sheet10 3 D	HW_DET_MOB_TYPE3 /sheet10 3 D /sheet10 2 G	MICEB /sheet13 1 E /sheet15 10 B	PM_RTC_INT /sheet10 3 E /sheet13 2 C	PX_OUT0 /sheet31 3 D /sheet34 3 C	RF_FE_DTR_DCS /sheet10 6 B /sheet4 2 B /sheet4 1 C	SDCLKO /sheet10 6 G /sheet12 9 A	TVCO /sheet10 9 B /sheet10 12 A	VDD_AFC /sheet11 8 B /sheet13 9 C
2.9V /sheet9 4 B /sheet11 5 B /sheet13 9 B /sheet26 1 A /sheet28 7 C /sheet42 5 A /sheet42 5 B /sheet42 5 A /sheet4 14 F /sheet4 4 F /page1 2 B	BC0 /sheet10 7 G /sheet12 9 A /sheet12 9 D	BT_WAKEUP_GSM /sheet10 3 F /sheet42 3 C /sheet4 10 F	DB_TDO /sheet10 3 C	HW_DET_MOB_TYPE4 /sheet10 3 D /sheet10 2 G	MIC2 /sheet13 1 E /sheet15 10 B	PM_SIN26M /sheet13 3 E /sheet4 2 F /sheet4 4 F /sheet4 10 C /sheet39 15 C	PX_OUT1 /sheet31 4 D /sheet34 3 C	RF_FE_DTR_GSM /sheet10 6 B /sheet4 4 C /sheet4 2 C /sheet39 1 C	SENSE_IN1 /sheet13 12 G /sheet13 2 D	TX /sheet15 11 A /sheet15 3 G /sheet15 2 F	VDD_BRIGHT /sheet39 8 E /sheet39 9 A /sheet39 7 C /sheet39 9 E /sheet39 11 A /sheet39 9 B /sheet39 11 C /sheet39 7 A /sheet39 8 B /sheet39 9 A
2.9V /sheet9 4 B /sheet11 5 B /sheet13 9 B /sheet26 1 A /sheet28 7 C /sheet42 5 A /sheet42 5 B /sheet42 5 A /sheet4 14 F /sheet4 4 F /page1 2 B	BC1 /sheet10 7 G /sheet12 9 A /sheet12 9 D	BT_WAKEUP_BT /sheet10 13 F /sheet42 3 C /sheet4 10 F	DB_TMS /sheet10 3 C /page1 3 B	IBOOST_SENSE_P /sheet13 10 C /sheet13 2 C	MON1 /sheet10 3 D	PM_SSC_CS /sheet10 6 B /sheet13 4 F	PX_OUT2 /sheet31 7 D /sheet34 3 C	RF_I /sheet10 8 B /sheet4 2 B /sheet4 4 B /sheet4 10 C /sheet39 15 D	SENSE_IN2 /sheet13 12 G /sheet13 2 D	TX_GSM_OUT /sheet39 1 C /sheet39 6 F	VDD_BT /sheet13 9 C /sheet42 3 A /sheet42 4 B /sheet4 14 F
2.9V /sheet9 4 B /sheet11 5 B /sheet13 9 B /sheet26 1 A /sheet28 7 C /sheet42 5 A /sheet42 5 B /sheet42 5 A /sheet4 14 F /sheet4 4 F /page1 2 B	BC0 /sheet10 7 G /sheet12 9 A /sheet12 9 D	CAS /sheet10 6 G /sheet12 12 A /sheet12 11 D	DB_TRST /sheet10 3 D /page1 3 C	IR_BT_RX /sheet10 13 E /sheet26 4 B /sheet42 3 C /sheet4 10 E	MON2 /sheet10 3 D	PM_SSC_MRST /sheet10 13 D /sheet13 6 F	PX_OUT3 /sheet31 8 D /sheet34 3 C	RF_IX /sheet10 8 B /sheet4 2 B /sheet4 4 B /sheet4 10 C /sheet39 15 D	TX_PCN_OUT /sheet39 1 C /sheet39 6 F	USB_D+ /sheet10 13 C /sheet15 7 G	VDD_BT_RF /sheet42 6 A /sheet42 7 B /sheet42 5 B /sheet42 3 A
2.9V /sheet9 4 B /sheet11 5 B /sheet13 9 B /sheet26 1 A /sheet28 7 C /sheet42 5 A /sheet42 5 B /sheet42 5 A /sheet4 14 F /sheet4 4 F /page1 2 B	BC1 /sheet10 7 G /sheet12 9 A /sheet12 9 D	CHARGE_CNTRL /sheet13 10 H /sheet13 7 D	DISP_CLK /sheet9 4 B /sheet42 3 C /sheet4 10 E	IR_SEL /sheet10 7 B /sheet26 4 B /sheet4 10 B	MONO1_LP_OUT /sheet13 3 E /sheet13 6 E	PM_SSC_SCLK /sheet10 13 E /sheet13 4 F	PX_OUT4 /sheet31 9 D /sheet34 3 C	SIM_CLK /sheet10 11 B /sheet16 9 B	USB_D- /sheet10 13 C /sheet15 7 G	USB_MODE /sheet13 9 B /sheet15 6 E	VDD_CHARGE /sheet13 2 D /sheet13 10 H
2.9V /sheet9 4 B /sheet11 5 B /sheet13 9 B /sheet26 1 A /sheet28 7 C /sheet42 5 A /sheet42 5 B /sheet42 5 A /sheet4 14 F /sheet4 4 F /page1 2 B	BC1 /sheet10 7 G /sheet12 9 A /sheet12 9 D	CHARGE_SOURCE /sheet13 10 H /sheet13 7 D	DISPLAY_CS /sheet9 4 C /sheet10 3 C	KB_ON_OFF /sheet9 4 C /sheet13 2 C	MONO2_OUT /sheet9 4 C /sheet13 7 E	PM_WADOG /sheet10 5 B /sheet12 2 D /sheet13 2 D	PX_OUT5 /sheet9 4 C /sheet34 3 C	SIM_RST /sheet10 11 B /sheet16 9 B	USB_SWITCH_EN /sheet10 6 B /sheet15 2 F	SLIDER_SW1 /sheet9 8 F /sheet10 5 G	VDD_RF1 /sheet13 9 C /sheet4 4 D /sheet4 2 D /sheet39 8 F /sheet38 9 D
2.9V /sheet9 4 B /sheet11 5 B /sheet13 9 B /sheet26 1 A /sheet28 7 C /sheet42 5 A /sheet42 5 B /sheet42 5 A /sheet4 14 F /sheet4 4 F /page1 2 B	BC1 /sheet10 7 G /sheet12 9 A /sheet12 9 D	CHARGE_SOURCE /sheet13 10 H /sheet13 7 D	DISPLAY_DAT /sheet9 4 B /sheet10 3 C /sheet4 12 A /sheet4 9 A	LIGHT_DISP /sheet9 4 B /sheet28 8 B /sheet4 9 B	PCN_PA_IN /sheet39 1 F /sheet39 9 E	POWER /sheet13 10 G /sheet15 10 A	PX_OUT6 /sheet9 4 C /sheet34 3 C	SIM_IO /sheet10 11 B /sheet16 9 B	VAUDREGA /sheet13 9 C /sheet13 3 E /sheet13 3 C	SLIDER_SW2 /sheet9 11 F /sheet10 3 F	VDD_RTC /sheet11 5 B /sheet13 9 B /sheet13 2 C
2.9V /sheet9 4 B /sheet11 5 B /sheet13 9 B /sheet26 1 A /sheet28 7 C /sheet42 5 A /sheet42 5 B /sheet42 5 A /sheet4 14 F /sheet4 4 F /page1 2 B	BC1 /sheet10 7 G /sheet12 9 A /sheet12 9 D	CHARGE_SOURCE /sheet13 10 H /sheet13 7 D	DISPLAY_RESET /sheet9 4 C /sheet10 6 B /sheet4 12 A /sheet4 9 A	LIGHT_PWM1 /sheet9 4 B /sheet28 3 B	PEXT_INT /sheet10 3 F /sheet34 4 B	POWER_QWERTY /sheet28 8 C /sheet31 10 A	PX_OUT7 /sheet9 4 C /sheet34 3 C	SIM_RST /sheet10 11 B /sheet16 9 B	VBAT /sheet10 15 B /sheet10 9 B	SLIDER_SW2 /sheet9 11 F /sheet10 3 F	VDD_SIM /sheet13 9 B
2.9V /sheet9 4 B /sheet11 5 B /sheet13 9 B /sheet26 1 A /sheet28 7 C /sheet42 5 A /sheet42 5 B /sheet42 5 A /sheet4 14 F /sheet4 4 F /page1 2 B	BC1 /sheet10 7 G /sheet12 9 A /sheet12 9 D	CHARGE_SOURCE /sheet13 10 H /sheet13 7 D	DISPLAY_RESET /sheet9 4 C /sheet10 6 B /sheet4 12 A /sheet4 9 A	LIGHT_PWM2 /sheet9 4 B /sheet28 3 B	PEXT_WAKE_UP /sheet10 5 G /sheet10 13 F /sheet34 5 B	POWER_QWERTY /sheet28 8 C /sheet31 10 A	PX_OUT8 /sheet9 4 C /sheet34 3 C	SIM_RST /sheet10 11 B /sheet16 9 B	VBAT /sheet10 15 B /sheet10 9 B	SLIDER_SW2 /sheet9 11 F /sheet10 3 F	VDD_SIM /sheet13 9 B
2.9V /sheet9 4 B /sheet11 5 B /sheet13 9 B /sheet26 1 A /sheet28 7 C /sheet42 5 A /sheet42 5 B /sheet42 5 A /sheet4 14 F /sheet4 4 F /page1 2 B	BC1 /sheet10 7 G /sheet12 9 A /sheet12 9 D	CHARGE_SOURCE /sheet13 10 H /sheet13 7 D	DISPLAY_RESET /sheet9 4 C /sheet10 6 B /sheet4 12 A /sheet4 9 A	LIGHT_PWM2 /sheet9 4 B /sheet28 3 B	PHANTOM_BUF_OUT /sheet13 6 E /sheet15 11 B	POWER_QWERTY /sheet28 8 C /sheet31 10 A	PX_OUT9 /sheet9 4 C /sheet34 3 C	SIM_RST /sheet10 11 B /sheet16 9 B	VBAT /sheet10 15 B /sheet10 9 B	SLIDER_SW2 /sheet9 11 F /sheet10 3 F	VDD_SIM /sheet13 9 B
2.9V /sheet9 4 B /sheet11 5 B /sheet13 9 B /sheet26 1 A /sheet28 7 C /sheet42 5 A /sheet42 5 B /sheet42 5 A /sheet4 14 F /sheet4 4 F /page1 2 B	BC1 /sheet10 7 G /sheet12 9 A /sheet12 9 D	CHARGE_SOURCE /sheet13 10 H /sheet13 7 D	DISPLAY_RESET /sheet9 4 C /sheet10 6 B /sheet4 12 A /sheet4 9 A	LIGHT_PWM2 /sheet9 4 B /sheet28 3 B	PHANTOM_BUF_OUT /sheet13 6 E /sheet15 11 B	POWER_QWERTY /sheet28 8 C /sheet31 10 A	PX_OUT10 /sheet9 4 C /sheet34 3 C	SIM_RST /sheet10 11 B /sheet16 9 B	VBAT /sheet10 15 B /sheet10 9 B	SLIDER_SW2 /sheet9 11 F /sheet10 3 F	VDD_SIM /sheet13 9 B
2.9V /sheet9 4 B /sheet11 5 B /sheet13 9 B /sheet26 1 A /sheet28 7 C /sheet42 5 A /sheet42 5 B /sheet42 5 A /sheet4 14 F /sheet4 4 F /page1 2 B	BC1 /sheet10 7 G /sheet12 9 A /sheet12 9 D	CHARGE_SOURCE /sheet13 10 H /sheet13 7 D	DISPLAY_RESET /sheet9 4 C /sheet10 6 B /sheet4 12 A /sheet4 9 A	LIGHT_PWM2 /sheet9 4 B /sheet28 3 B	PHANTOM_BUF_OUT /sheet13 6 E /sheet15 11 B	POWER_QWERTY /sheet28 8 C /sheet31 10 A	PX_OUT11 /sheet9 4 C /sheet34 3 C	SIM_RST /sheet10 11 B /sheet16 9 B	VBAT /sheet10 15 B /sheet10 9 B	SLIDER_SW2 /sheet9 11 F /sheet10 3 F	VDD_SIM /sheet13 9 B
2.9V /sheet9 4 B /sheet11 5 B /sheet13 9 B /sheet26 1 A /sheet28 7 C /sheet42 5 A /sheet42 5 B /sheet42 5 A /sheet4 14 F /sheet4 4 F /page1 2 B	BC1 /sheet10 7 G /sheet12 9 A /sheet12 9 D	CHARGE_SOURCE /sheet13 10 H /sheet13 7 D	DISPLAY_RESET /sheet9 4 C /sheet10 6 B /sheet4 12 A /sheet4 9 A	LIGHT_PWM2 /sheet9 4 B /sheet28 3 B	PHANTOM_BUF_OUT /sheet13 6 E /sheet15 11 B	POWER_QWERTY /sheet28 8 C /sheet31 10 A	PX_OUT12 /sheet9 4 C /sheet34 3 C	SIM_RST /sheet10 11 B /sheet16 9 B	VBAT /sheet10 15 B /sheet10 9 B	SLIDER_SW2 /sheet9 11 F /sheet10 3 F	VDD_SIM /sheet13 9 B
2.9V /sheet9 4 B /sheet11 5 B /sheet13 9 B /sheet26 1 A /sheet28 7 C /sheet42 5 A /sheet42 5 B /sheet42 5 A /sheet4 14 F /sheet4 4 F /page1 2 B	BC1 /sheet10 7 G /sheet12 9 A /sheet12 9 D	CHARGE_SOURCE /sheet13 10 H /sheet13 7 D	DISPLAY_RESET /sheet9 4 C /sheet10 6 B /sheet4 12 A /sheet4 9 A	LIGHT_PWM2 /sheet9 4 B /sheet28 3 B	PHANTOM_BUF_OUT /sheet13 6 E /sheet15 11 B	POWER_QWERTY /sheet28 8 C /sheet31 10 A	PX_OUT13 /sheet9 4 C /sheet34 3 C	SIM_RST /sheet10 11 B /sheet16 9 B	VBAT /sheet10 15 B /sheet10 9 B	SLIDER_SW2 /sheet9 11 F /sheet10 3 F	VDD_SIM /sheet13 9 B
2.9V /sheet9 4 B /sheet11 5 B /sheet13 9 B /sheet26 1 A /sheet28 7 C /sheet42 5 A /sheet42 5 B /sheet42 5 A /sheet4 14 F /sheet4 4 F /page1 2 B	BC1 /sheet10 7 G /sheet12 9 A /sheet12 9 D	CHARGE_SOURCE /sheet13 10 H /sheet13 7 D	DISPLAY_RESET /sheet9 4 C /sheet10 6 B /sheet4 12 A /sheet4 9 A	LIGHT_PWM2 /sheet9 4 B /sheet28 3 B	PHANTOM_BUF_OUT /sheet13 6 E /sheet15 11 B	POWER_QWERTY /sheet28 8 C /sheet31 10 A	PX_OUT14 /sheet9 4 C /sheet34 3 C	SIM_RST /sheet10 11 B /sheet16 9 B	VBAT /sheet10 15 B /sheet10 9 B	SLIDER_SW2 /sheet9 11 F /sheet10 3 F	VDD_SIM /sheet13 9 B
2.9V /sheet9 4 B /sheet11 5 B /sheet13 9 B /sheet26 1 A /sheet28 7 C /sheet42 5 A /sheet42 5 B /sheet42 5 A /sheet4 14 F /sheet4 4 F /page1 2 B	BC1 /sheet10 7 G /sheet12 9 A /sheet12 9 D	CHARGE_SOURCE /sheet13 10 H /sheet13 7 D	DISPLAY_RESET /sheet9 4 C /sheet10 6 B /sheet4 12 A /sheet4 9 A	LIGHT_PWM2 /sheet9 4 B /sheet28 3 B	PHANTOM_BUF_OUT /sheet13 6 E /sheet15 11 B	POWER_QWERTY /sheet28 8 C /sheet31 10 A	PX_OUT15 /sheet9 4 C /sheet34 3 C	SIM_RST /sheet10 11 B /sheet16 9 B	VBAT /sheet10 15 B /sheet10 9 B	SLIDER_SW2 /sheet9 11 F /sheet10 3 F	VDD_SIM /sheet13 9 B
2.9V /sheet9 4 B /sheet11 5 B /sheet13 9 B /sheet26 1 A /sheet28 7 C /sheet42 5 A /sheet42 5 B /sheet42 5 A /sheet4 14 F /sheet4 4 F /page1 2 B	BC1 /sheet10 7 G /sheet12 9 A /sheet12 9 D	CHARGE_SOURCE /sheet13 10 H /sheet13 7 D	DISPLAY_RESET /sheet9 4 C /sheet10 6 B /sheet4 12 A /sheet4 9 A	LIGHT_PWM2 /sheet9 4 B /sheet28 3 B	PHANTOM_BUF_OUT /sheet13 6 E /sheet15 11 B	POWER_QWERTY /sheet28 8 C /sheet31 10 A	PX_OUT16 /sheet9 4 C /sheet34 3 C	SIM_RST /sheet10 11 B /sheet16 9 B	VBAT /sheet10 15 B /sheet10 9 B	SLIDER_SW2 /sheet9 11 F /sheet10 3 F	VDD_SIM /sheet13 9 B
2.9V /sheet9 4 B /sheet11 5 B /sheet13 9 B /sheet26 1 A /sheet28 7 C /sheet42 5 A /sheet42 5 B /sheet42 5 A /sheet4 14 F /sheet4 4 F /page1 2 B	BC1 /sheet10 7 G /sheet12 9 A /sheet12 9 D	CHARGE_SOURCE /sheet13 10 H /sheet13 7 D	DISPLAY_RESET /sheet9 4 C /sheet10 6 B /sheet4 12 A /sheet4 9 A	LIGHT_PWM2 /sheet9 4 B /sheet28 3 B	PHANTOM_BUF_OUT /sheet13 6 E /sheet15 11 B	POWER_QWERTY /sheet28 8 C /sheet31 10 A	PX_OUT17 /sheet9 4 C /sheet34 3 C	SIM_RST /sheet10 11 B /sheet16 9 B	VBAT /sheet10 15 B /sheet10 9 B	SLIDER_SW2 /sheet9 11 F /sheet10 3 F	VDD_SIM /sheet13 9 B
2.9V /sheet9 4 B /sheet11 5 B /sheet13 9 B /sheet26 1 A /sheet28 7 C /sheet42 5 A /sheet42 5 B /sheet42 5 A /sheet4 14 F /sheet4 4 F /page1 2 B	BC1 /sheet10 7 G /sheet12 9 A /sheet12 9 D	CHARGE_SOURCE /sheet13 10 H /sheet13 7 D	DISPLAY_RESET /sheet9 4 C /sheet10 6 B /sheet4 12 A /sheet4 9 A	LIGHT_PWM2 /sheet9 4 B /sheet28 3 B	PHANTOM_BUF_OUT /sheet13 6 E /sheet15 11 B	POWER_QWERTY /sheet28 8 C /sheet31 10 A	PX_OUT18 /sheet9 4 C /sheet34 3 C	SIM_RST /sheet10 11 B /sheet16 9 B	VBAT /sheet10 15 B /sheet10 9 B	SLIDER_SW2 /sheet9 11 F /sheet10 3 F	VDD_SIM /sheet13 9 B
2.9V /sheet9 4 B /sheet11 5 B /sheet13 9 B /sheet26 1 A /sheet28 7 C /sheet42 5 A /sheet42 5 B /sheet42 5 A /sheet4 14 F /sheet4 4 F /page1 2 B	BC1 /sheet10 7 G /sheet12 9 A /sheet12 9 D	CHARGE_SOURCE /sheet13 10 H /sheet13 7 D	DISPLAY_RESET /sheet9 4 C /sheet10 6 B /sheet4 12 A /sheet4 9 A	LIGHT_PWM2 /sheet9 4 B /sheet28 3 B	PHANTOM_BUF_OUT /sheet13 6 E /sheet15 11 B	POWER_QWERTY /sheet28 8 C /sheet31 10 A	PX_OUT19 /sheet9 4 C /sheet34 3 C	SIM_RST /sheet10 11 B /sheet16 9 B	VBAT /sheet10 15 B /sheet10 9 B	SLIDER_SW2 /sheet9 11 F /sheet10 3 F	VDD_SIM /sheet13 9 B
2.9V /sheet9 4 B /sheet11 5 B /sheet13 9 B /sheet26 1 A /sheet28 7 C /sheet42 5 A /sheet42 5 B /sheet42 5 A /sheet4 14 F /sheet4 4 F /page1 2 B	BC1 /sheet10 7 G /sheet12 9 A /sheet12 9 D	CHARGE_SOURCE /sheet13 10 H /sheet13 7 D	DISPLAY_RESET /sheet9 4 C /sheet10 6 B /sheet4 12 A /sheet4 9 A	LIGHT_PWM2 /sheet9 4 B /sheet28 3 B	PHANTOM_BUF_OUT /sheet13 6 E /sheet15 11 B	POWER_QWERTY /sheet28 8 C /sheet31 10 A	PX_OUT20 /sheet9 4 C /sheet34 3 C	SIM_RST /sheet10 11 B /sheet16 9 B	VBAT /sheet10 15 B /sheet10 9 B	SLIDER_SW2 /sheet9 11 F /sheet10 3 F	VDD_SIM /sheet13 9 B
2.9V /sheet9 4 B /sheet11 5 B /sheet13 9 B /sheet26 1 A /sheet28 7 C /sheet42 5 A /sheet42 5 B /sheet42 5 A /sheet4 14 F /sheet4 4 F /page1 2 B	BC1 /sheet10 7 G /sheet12 9 A /sheet12 9 D	CHARGE_SOURCE /sheet13 10 H /sheet13 7 D	DISPLAY_RESET /sheet9 4 C /sheet10 6 B /sheet4 12 A /sheet4 9 A	LIGHT_PWM2 /sheet9 4 B /sheet28 3 B	PHANTOM_BUF_OUT /sheet13 6 E /sheet15 11 B	POWER_QWERTY /sheet28 8 C /sheet31 10 A	PX_OUT21 /sheet9 4 C /sheet34 3 C				

Proprietary data, company confidential.  
All rights reserved

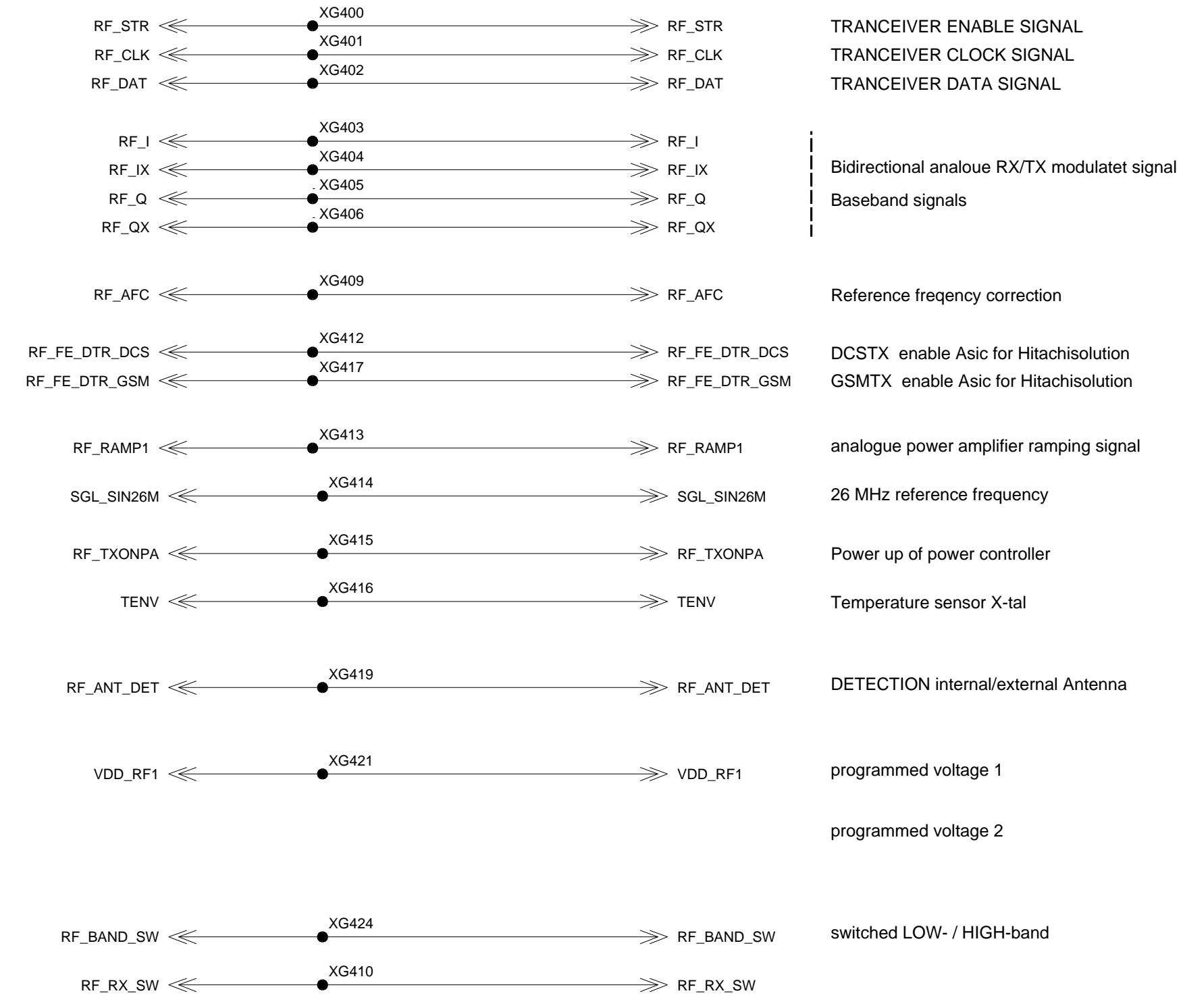
Als Betriebsgeheimnis anvertraut  
Alle Rechte vorbehalten

	1	2	3	4	5	6	7	8	9	10	
A	C961 /sheet9 2 B	C1308 /sheet13 3 D	C1400 /sheet14 5 B	C3940 /sheet39 13 D	R1014 /sheet10 10 B	R3105 /sheet31 3 A	TP1309 /sheet13 8 B				
	C962 /sheet9 2 B	C1309 /sheet13 4 D	C1401 /sheet14 6 B	C3944 /sheet39 12 E	R1018 /sheet10 13 A	R3106 /sheet31 3 A	TP1318 /sheet13 8 C				
	C963 /sheet9 2 B	C1310 /sheet13 4 D	C1402 /sheet14 6 B	C3945 /sheet39 13 E	R1019 /sheet10 9 A	R3107 /sheet31 3 A	TP1327 /sheet13 11 A				
	C964 /sheet9 2 B	C1311 /sheet13 4 D	C1426 /sheet14 4 B	C3946 /sheet39 13 E	R1021 /sheet10 13 B	R3108 /sheet31 4 A	TP1302 /sheet13 4 D				
	C965 /sheet9 2 B	C1312 /sheet13 4 D	C1501 /sheet15 7 B	C3947 /sheet39 13 E	R1022 /sheet10 15 B	R3109 /sheet31 4 A	TP1324 /sheet13 4 C				
	C966 /sheet9 3 B	C1313 /sheet13 4 D	C1502 /sheet15 8 B	C3948 /sheet39 12 D	R1023 /sheet10 15 B	R3111 /sheet31 7 A	TP1321 /sheet13 8 C				
	C967 /sheet9 3 B	C1314 /sheet13 4 D	C1504 /sheet15 3 A	C3949 /sheet39 7 D	R1024 /sheet10 14 D	R3112 /sheet31 7 A	TP1301 /sheet13 4 C				
	C968 /sheet9 3 B	C1315 /sheet13 1 B	C1505 /sheet15 6 B	C3961 /sheet39 13 B	R1025 /sheet10 14 D	R3113 /sheet31 7 A	TP1310 /sheet13 8 B				
	C969 /sheet9 2 D	C1316 /sheet13 7 C	C1507 /sheet15 5 A	C3962 /sheet39 13 B	R1038 /sheet10 10 A	R3114 /sheet31 8 A	TP1311 /sheet13 8 B				
	C970 /sheet9 3 D	C1317 /sheet13 3 E	C1508 /sheet15 5 B	C3963 /sheet39 13 B	R1039 /sheet10 10 B	R3115 /sheet31 8 A	TP1323 /sheet13 6 C				
	C971 /sheet9 3 D	C1318 /sheet13 1 B	C1509 /sheet15 4 B	C3964 /sheet39 13 B	R1040 /sheet10 2 F	R3116 /sheet31 8 A	TP1306 /sheet13 8 B				
	C972 /sheet9 3 D	C1319 /sheet13 3 E	C1510 /sheet15 7 B	C3965 /sheet39 14 B	R1041 /sheet10 2 F	R3117 /sheet31 9 A	TP1308 /sheet13 8 B				
	C973 /sheet9 3 D	C1321 /sheet13 3 E	C1511 /sheet15 7 B	C3966 /sheet39 14 B	R1042 /sheet10 3 F	R3118 /sheet31 9 A	TP1317 /sheet13 8 B				
	C974 /sheet9 3 D	C1322 /sheet13 3 E	C1512 /sheet15 7 B	C3971 /sheet39 8 E	R1043 /sheet10 2 F	R3119 /sheet31 9 A	TP1334 /sheet13 7 C				
	C975 /sheet9 4 B	C1323 /sheet13 2 E	C1513 /sheet15 9 B	C3972 /sheet39 5 F	R1098 /sheet10 13 F	R3201 /sheet9 8 F	TP1307 /sheet13 8 B				
	C986 /sheet9 3 D	C1324 /sheet13 2 E	C1515 /sheet15 4 F	C3973 /sheet39 8 E	R1099 /sheet10 5 G	R3202 /sheet9 8 E	TP1509 /sheet15 6 E				
	C987 /sheet9 2 D	C1325 /sheet13 3 E	C1523 /sheet15 5 A	C3980 /sheet39 5 F	R1100 /sheet11 7 B	R3205 /sheet9 11 E	TP3403 /sheet34 5 C				
	C988 /sheet9 2 D	C1326 /sheet13 3 F	C1525 /sheet15 6 B	C3981 /sheet39 2 E	R1101 /sheet11 8 B	R3206 /sheet9 11 F	TP3400 /sheet34 4 B				
	C989 /sheet9 2 D	C1327 /sheet13 3 F	C1526 /sheet15 5 B	C3982 /sheet39 2 E	R1130 /sheet11 6 B	R3251 /sheet9 8 E	TP3406 /sheet34 5 C				
	C990 /sheet9 2 D	C1328 /sheet13 3 F	C1527 /sheet15 2 F	C3983 /sheet39 2 E	R1200 /sheet12 6 B	R3252 /sheet9 11 E	TP3401 /sheet34 4 B				
	C991 /sheet9 4 B	C1329-2 /sheet13 6 A	C1541 /sheet15 4 B	C3984 /sheet39 4 F	R1201 /sheet12 6 B	R3402 /sheet34 4 D	TP3402 /sheet34 5 B				
	C992 /sheet9 4 D	C1329-1 /sheet13 6 A	C1548 /sheet15 10 B	C3985 /sheet39 5 E	R1202 /sheet12 6 B	R3801 /sheet38 7 C	TP3404 /sheet34 4 D				
	C993 /sheet9 4 D	C1330-2 /sheet13 6 A	C1549 /sheet15 10 B	C3986 /sheet39 5 E	R1203 /sheet12 6 B	R3802 /sheet38 8 D	TP3405 /sheet34 4 D				
	C1000 /sheet10 3 E	C1330-1 /sheet13 6 A	C1550 /sheet15 3 B	C3988 /sheet39 5 E	R1204 /sheet12 10 A	R3804 /sheet38 9 C	TP4201 /sheet42 9 A				
	C1001 /sheet10 2 E	C1331 /sheet13 6 A	C1551 /sheet15 4 B	C3989 /sheet39 5 E	R1210 /sheet12 3 B	R3901 /sheet39 2 C	TP3971 /sheet39 8 F				
	C1002 /sheet10 2 E	C1332-1 /sheet13 7 A	C1604 /sheet16 8 C	C3990 /sheet39 2 F	R1216 /sheet12 6 B	R3902 /sheet39 2 C	TP3920 /sheet39 13 C				
	C1003 /sheet10 2 E	C1332-2 /sheet13 7 A	C1605 /sheet16 8 C	C3991 /sheet39 3 F	R1217 /sheet12 6 B	R3903 /sheet39 5 B	TP3980 /sheet39 2 F				
	C1005 /sheet10 6 A	C1333 /sheet13 6 E	C1901 /sheet19 5 C	C3992 /sheet39 5 F	R1300 /sheet13 2 B	R3904 /sheet39 5 C	V1302 /sheet13 11 A				
	C1008 /sheet10 14 E	C1334 /sheet13 6 E	C1902 /sheet19 5 C	C3993 /sheet39 6 F	R1302 /sheet13 3 B	R3905 /sheet39 5 C	V1303 /sheet13 11 B				
	C1009 /sheet10 14 E	C1335 /sheet13 6 E	C1904 /sheet19 5 C	C3996 /sheet39 5 F	R1303 /sheet13 2 C	R3906 /sheet39 5 C	V1304 /sheet13 11 C				
	C1011 /sheet10 10 B	C1336 /sheet13 11 D	C2101 /sheet21 7 C	C3997 /sheet39 6 E	R1304 /sheet13 3 C	R3907 /sheet39 5 D	V1305-1 /sheet13 11 G				
	C1012 /sheet10 13 A	C1337 /sheet13 6 A	C2320 /sheet28 8 B	C4201 /sheet42 5 A	R1305 /sheet13 3 C	R3908 /sheet39 5 D	V1305-2 /sheet13 11 G				
	C1013 /sheet10 14 B	C1338 /sheet13 8 A	C2630 /sheet26 4 B	C4202 /sheet42 3 A	R1308 /sheet13 3 D	R3909 /sheet39 6 D	V1390 /sheet13 11 E				
	C1014 /sheet10 14 B	C1339 /sheet13 7 C	C2631 /sheet26 1 B	C4204 /sheet42 6 A	R1313 /sheet13 2 F	R3910 /sheet39 6 D	V1400 /sheet14 5 B				
	C1037 /sheet10 2 C	C1340 /sheet13 7 C	C2632 /sheet26 2 B	C4205 /sheet42 4 A	R1314 /sheet13 2 F	R3922 /sheet39 11 A	V2100 /sheet21 6 C				
	C1039 /sheet10 11 B	C1341 /sheet13 7 C	C2633 /sheet26 4 B	C4206 /sheet42 5 B	R1315 /sheet13 6 F	R3923 /sheet39 10 B	V2101 /sheet21 6 C				
	C1110 /sheet11 9 B	C1342 /sheet13 7 C	C2634 /sheet26 3 B	C4207 /sheet42 6 A	R1320 /sheet13 8 C	R3924 /sheet39 10 B	V2302 /sheet28 7 B				
	C1120 /sheet11 5 C	C1343 /sheet13 7 C	C2635 /sheet26 4 B	C4208 /sheet42 4 B	R1328 /sheet13 6 E	R3925 /sheet39 7 D	V2631 /sheet26 3 B				
	C1121 /sheet11 6 C	C1344 /sheet13 8 B	C2636 /sheet26 2 B	C4209 /sheet42 9 C	R1340 /sheet13 12 B	R3926 /sheet39 11 C	V2802 /sheet28 2 B				
	C1122 /sheet11 6 B	C1345 /sheet13 8 B	C2637 /sheet26 4 B	C4211 /sheet42 7 C	R1341 /sheet13 12 B	R3927 /sheet39 12 D	V2821 /sheet28 8 D				
	C1123 /sheet11 6 B	C1346 /sheet13 7 E	C2822 /sheet28 3 B	C4212 /sheet42 7 A	R1343 /sheet13 11 C	R3961 /sheet39 12 A	V3101 /sheet31 1 A				
	C1124 /sheet11 6 B	C1347 /sheet13 7 E	C2850 /sheet28 6 D	C4213 /sheet42 6 B	R1344 /sheet13 12 G	R3962 /sheet39 13 B	V3102 /sheet31 2 A				
	C1125 /sheet11 6 B	C1348 /sheet13 7 E	C2851 /sheet28 7 D	C4214 /sheet42 6 B	R1350 /sheet13 11 B	R3963 /sheet39 14 B	V3103 /sheet31 2 A				
	C1126 /sheet11 7 B	C1350 /sheet13 7 F	C2918 /sheet31 8 D	C4215 /sheet42 7 D	R1353 /sheet13 11 H	R3964 /sheet39 14 B	V3104 /sheet31 2 A				
	C1127 /sheet11 8 B	C1351 /sheet13 12 D	C2919 /sheet31 8 D	C4216 /sheet42 6 A	R1360 /sheet13 12 D	R3965 /sheet39 14 B	V3105 /sheet31 3 A				
	C1128 /sheet11 9 C	C1352 /sheet13 12 B	C3251 /sheet9 12 E	C4217 /sheet42 4 A	R1361 /sheet13 12 D	R3966 /sheet39 15 B	V3106 /sheet31 3 A				
	C1129 /sheet11 9 B	C1354 /sheet13 11 A	C3252 /sheet9 9 E	C4218 /sheet42 7 D	R1390 /sheet13 11 E	R3967 /sheet39 15 B	V3107 /sheet31 3 A				
	C1130 /sheet11 9 B	C1355 /sheet13 12 C	C3253 /sheet9 9 E	C4220 /sheet42 5 A	R1391 /sheet13 11 E	R3981 /sheet39 2 F	V3108 /sheet31 4 A				
	C1131 /sheet11 10 C	C1356 /sheet13 12 C	C3254 /sheet9 12 E	C4221 /sheet42 7 E	R1399 /sheet13 6 C	R3982 /sheet39 2 F	V3109 /sheet31 4 A				
	C1132 /sheet11 10 D	C1357 /sheet13 12 D	C3255 /sheet9 8 F	C4222 /sheet42 8 D	R1500 /sheet15 4 C	R3983 /sheet39 6 F	V3111 /sheet31 7 A				
	C1133 /sheet11 10 D	C1358 /sheet13 12 B	C3256 /sheet9 11 F	C4223 /sheet42 7 D	R1501 /sheet15 6 C	R3984 /sheet39 8 F	V3112 /sheet31 7 A				
	C1134 /sheet11 10 D	C1359 /sheet13 11 D	C3401 /sheet34 3 B	C4249 /sheet42 10 B	R1502 /sheet15 6 C	R3985 /sheet39 2 B	V3113 /sheet31 7 A				
	C1135 /sheet11 10 D	C1360 /sheet13 11 G	C3402 /sheet34 3 B	D1000-1 /sheet10 12 F	R1503 /sheet15 9 B	R4201 /sheet42 7 B	V3114 /sheet31 8 A				
	C1136 /sheet11 10 E	C1361 /sheet13 12 G	C3801 /sheet38 8 C	D1000-2 /sheet11 5 E	R1504 /sheet15 9 B	R4202 /sheet42 7 C	V3115 /sheet31 8 A				
	C1137 /sheet11 10 E	C1363 /sheet13 12 G	C3803 /sheet38 8 C	D1201 /sheet12 10 C	R1505 /sheet15 5 C	R4203 /sheet42 8 C	V3116 /sheet31 8 A				
	C1139 /sheet11 10 E	C1364 /sheet13 7 A	C3804 /sheet38 8 C	D1202 /sheet12 10 F	R1508 /sheet15 9 B	R4204 /sheet42 2 C	V3117 /sheet31 9 A				
	C1140 /sheet11 5 C	C1365 /sheet13 2 B	C3805 /sheet38 7 D	D1203 /sheet12 4 D	R1509 /sheet15 5 E	R4249 /sheet42 9 B	V3118 /sheet31 9 A				
	C1141 /sheet11 10 C	C1366 /sheet13 1 B	C3901 /sheet39 2 C	D1204 /sheet12 4 G	R1510 /sheet15 5 F	R4272 /sheet42 7 D	V3119 /sheet31 9 A				
	C1200 /sheet12 2 B	C1367 /sheet13 2 B	C3902 /sheet39 2 D	D1300 /sheet13 4 F	R1511 /sheet15 5 F	S3251 /sheet9 12 F	V3961 /sheet39 13 B				
	C1201 /sheet12 1 B	C1368 /sheet13 2 B	C3903 /sheet39 5 D	D3401 /sheet34 3 C	R1512 /sheet15 6 A	S3252 /sheet9 9 F	V3962 /sheet39 12 A				
	C1202 /sheet12 12 C	C1369 /sheet13 3 B	C3904 /sheet39 6 B	D4201 /sheet42 4 A	R1513 /sheet15 3 F	TP2752 /sheet9 4 B	X970 /sheet9 1 D				
	C1203 /sheet12 12 C	C1371 /sheet13 4 A	C3905 /sheet39 6 C	L1301 /sheet13 11 A	R1514 /sheet15 2 F	TP2753 /sheet9 4 B	X1000 /sheet11 14 F				
	C1204 /sheet12 13 C	C1372 /sheet13 4 A	C3906 /sheet39 6 C	L1302 /sheet13 11 B	R1515 /sheet15 4 F	TP1079 /sheet10 5 B	X1400 /sheet14 3 B				
	C1205 /sheet12 13 C	C1373 /sheet13 4 A	C3907 /sheet39 6 C	L1304 /sheet13 2 B	R1524 /sheet15 9 B	TP1022 /sheet10 9 B	X1504 /sheet15 1 B				
	C1207 /sheet12 13 C	C1374 /sheet13 4 D	C3911 /sheet39 2 B	L1305 /sheet13 11 D	R1525 /sheet15 10 B	TP1016 /sheet10 3 C	X1603 /sheet16 3 C				
	C1208 /sheet12 2 B	C1375 /sheet13 11 D	C3918 /sheet39 3 D	L2633 /sheet26 4 A	R1591 /sheet15 10 B	TP1021 /sheet10 3 D	X3800 /sheet38 7 C				
	C1209 /sheet12 1 B	C1376 /sheet13 11 D	C3919 /sheet39 2 D	L3800 /sheet38 11 C	R1614 /sheet16 8 C	TP1019 /sheet10 3 C	X3901 /sheet39 9 G				
	C1211 /sheet12 2 B	C1377 /sheet13 11 D	C3920 /sheet39 11 A	L3901 /sheet39 5 C	R1901 /sheet19 6 C	TP1017 /sheet10 3 C	X4201 /sheet42 1 E				
	C1212 /sheet12 2 B	C1378 /sheet13 11 D	C3921 /sheet39 9 A	L3902 /sheet39 5 C	R1902 /sheet19 6 C	TP1014 /sheet10 13 B	Z1000 /sheet10 2 E				
	C1213 /sheet12 2 B	C1381 /sheet13 3 E	C3922 /sheet39 8 B	L3919 /sheet39 3 D	R1926 /sheet19 7 C	TP1018 /sheet10 3 C	Z1500 /sheet15 4 G				
	C1219 /sheet12 5 B	C1382 /sheet13 3 E	C3923 /sheet39 8 B	L3921 /sheet39 9 D	R1927 /sheet19 6 C	TP1020 /sheet10 3 D	Z1601 /sheet16 5 B				
	C1220 /sheet12 1 E	C1383 /sheet13 1 E	C3924 /sheet39 11 C	L3922 /sheet39 9 D	R2101 /sheet21 6 C	TP1013 /sheet10 13 A	Z3961 /sheet39 12 B				
	C1221 /sheet12 1 E	C1384 /sheet13 1 E	C3925 /sheet39 10 B	L3923 /sheet39 7 A	R2310 /sheet28 6 A	TP1246 /sheet12 3 B	Z4200 /sheet42 8 B				
	C1222 /sheet12 2 E	C1385 /sheet13 1 E	C3926 /sheet39 11 B	L3924 /sheet39 8 D	R2311 /sheet28 7 B	TP1320 /sheet13 8 C	Z4202 /sheet42 9 C				
	C1223 /sheet12 2 E	C1386 /sheet13 1 E	C3927 /sheet39 9 B	L3971 /sheet39 5 F	R2631 /sheet26 2 A	TP1312 /sheet13 8 B					
	C1224 /sheet12 2 E	C1387 /sheet13 1 E	C3928 /sheet39 8 B	L3981 /sheet39 5 F	R2632 /sheet26 3 B	TP1355 /sheet13 12 B					
	C1225 /sheet12 2 E	C1388 /sheet13 1 B	C3929 /sheet39 8 B	L3994 /sheet39 5 G	R2633 /sheet26 3 A						
	C1227 /sheet12 3 E	C1389 /sheet13 2 B	C3930 /sheet39 10 B	L3995 /sheet39 6 G	R2635 /sheet26 4 A						
	C1228 /sheet12 5 F	C1390 /sheet13 7 E	C3931 /sheet39 7 C	L4201 /sheet42 7 C	R2822 /sheet28 2 B						
	C1299 /sheet12 3 B	C1391 /sheet13 6 E	C3932 /sheet39 11 D	L4202 /sheet42 7 E	R2823 /sheet28 2 C						
	C1301 /sheet13 3 A	C1393 /sheet13 1 B	C3933 /sheet39 7 D	L4249 /sheet42 10							

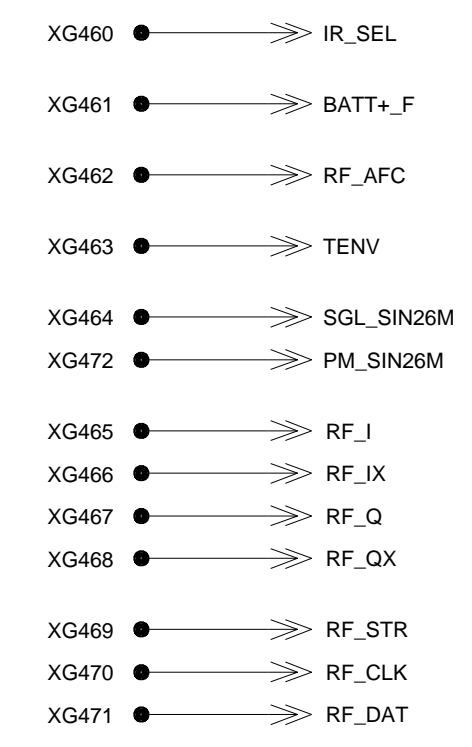
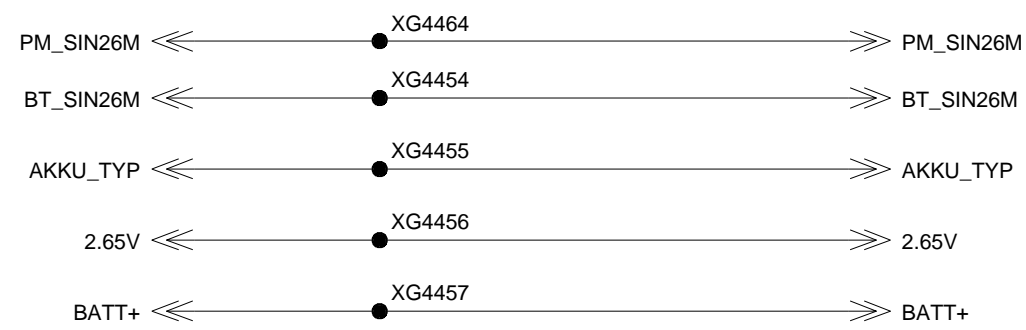
# HIT\_POINTS LOGIK/HF\_PART\_1

## HIT\_POINTS LOGIK/HF

400-449



### For Layout



## HIT\_POINTS LOGIK/BLUETOOTH

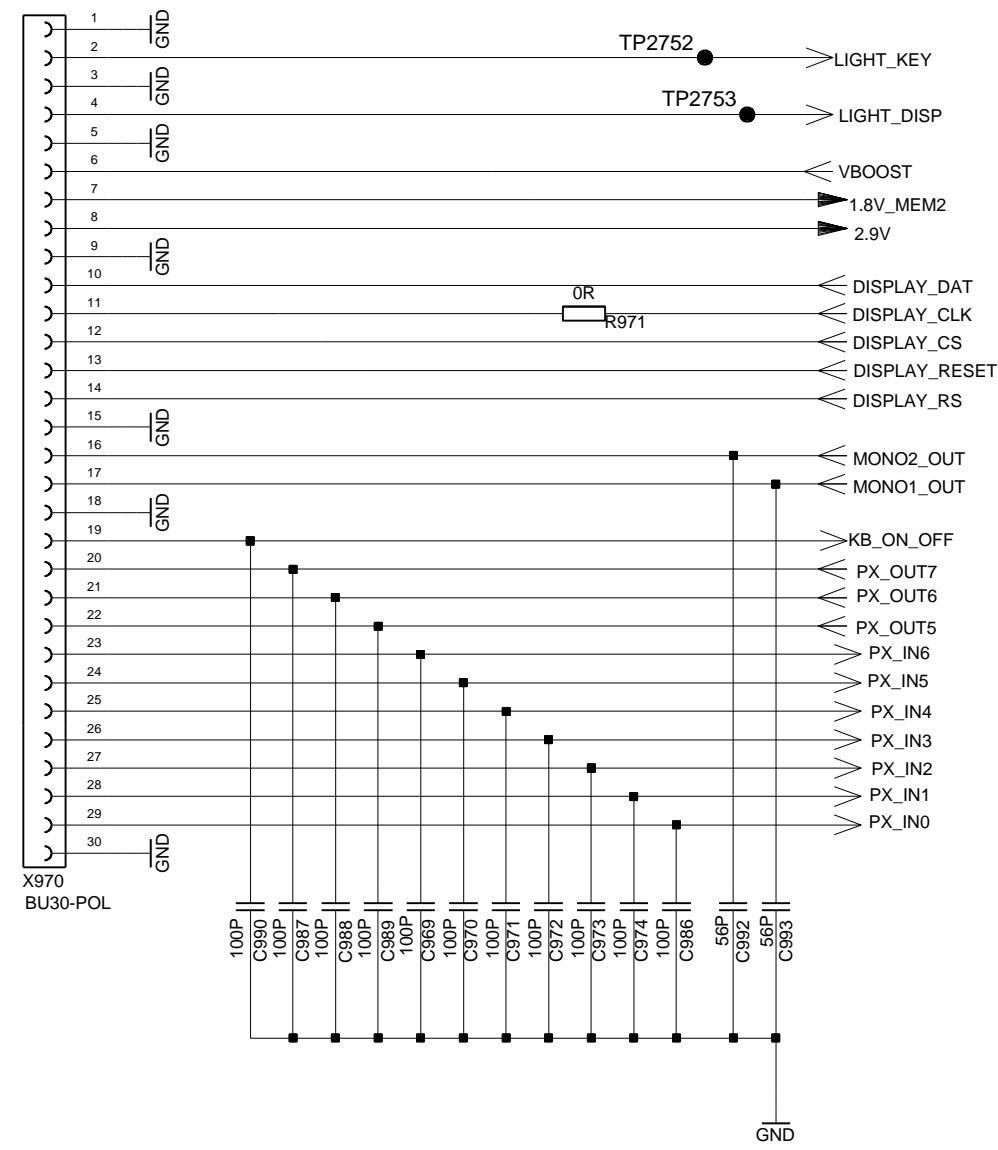


**Confidential**  
Copyright © Siemens AG

VERS.	CHANGE NUMBER	DATE	NAME	DATE	USER	APPR'D	DESCRIPTION	SHEET
				27.05.2004	Bartenschl.		NEO Mainboard B2.2	
							Q4960-A8	1:1
							TOP HIERARCHY LEVEL	
							SCHEMATIC	
2	17007	28.07.2004	bar				Siemens AG	80615
1	16363	30.06.2004	bar					sheet4

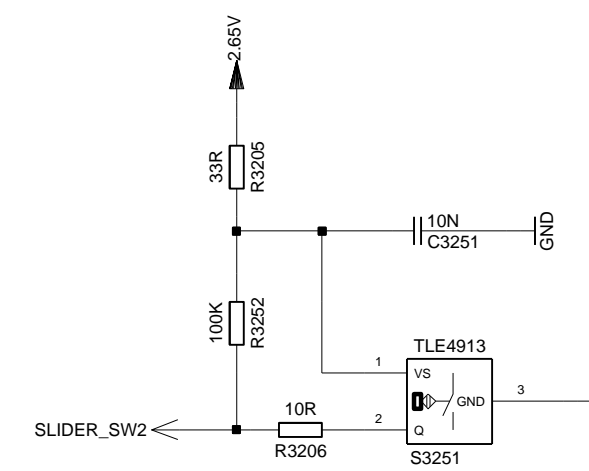
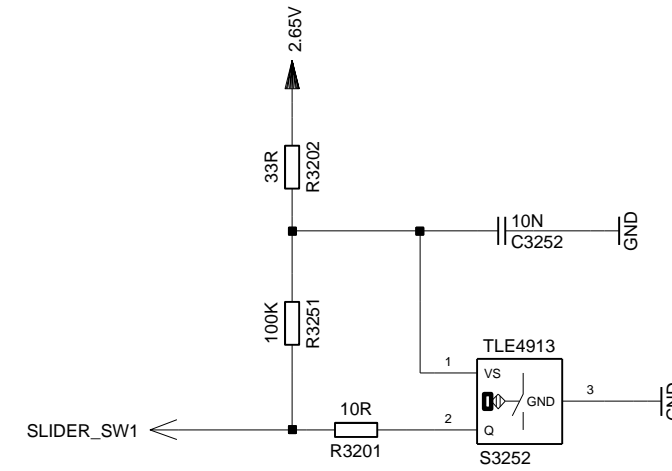
( Created by BOM number: A5B00900155657-17007 )

ROTARY CONNECTOR LCD / MMI 30 POL.  
960-999



PM\_ON\_OFF ← XG970 → PX\_IN0

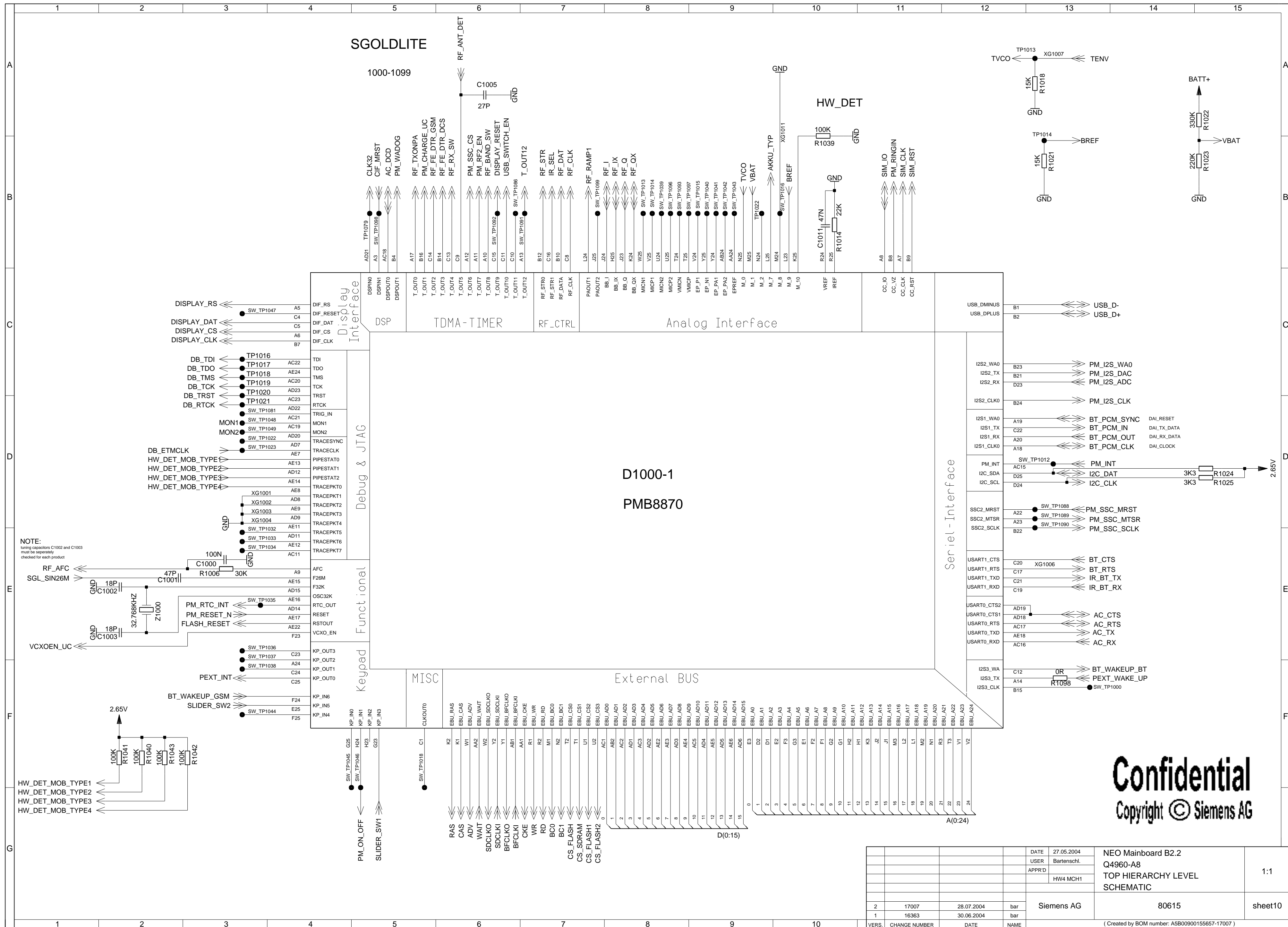
OPEN\_CLOSE\_DETECTION  
3200 - 3299



**Confidential**  
Copyright © Siemens AG

DATE	27.05.2004	NEO Mainboard B2.2	
USER	Bartenschl.	Q4960-A8	
APPR'D		TOP HIERARCHY LEVEL	1:1
	HW4 MCH1	SCHEMATIC	
Siemens AG		80615	sheet9
VERS.	CHANGE NUMBER	DATE	NAME
2	17007	28.07.2004	bar
1	16363	30.06.2004	bar

( Created by BOM number: A5B00900155657-17007 )



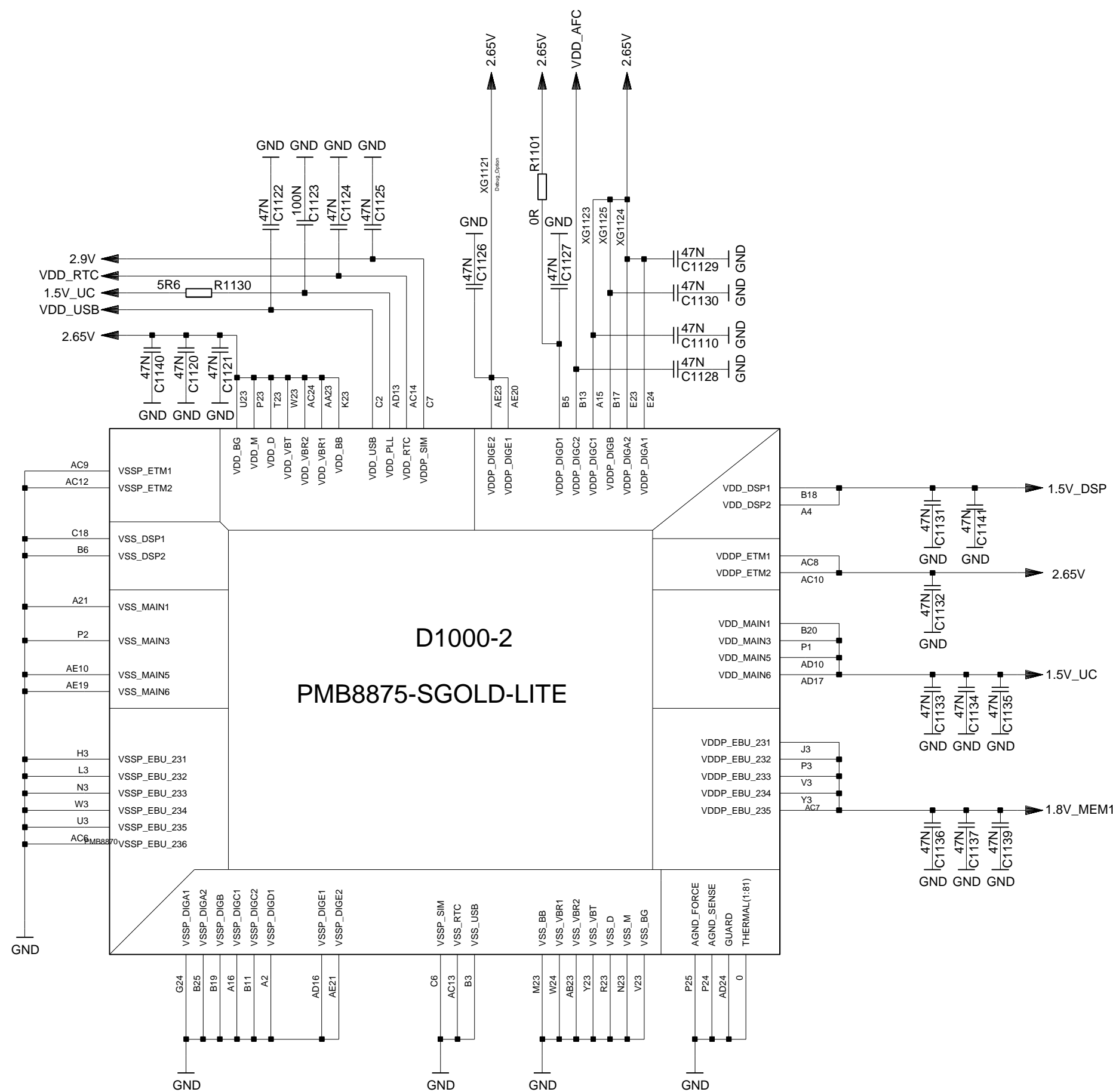
**Confidential**  
Copyright © Siemens AG

DATE	27.05.2004	NEO Mainboard B2.2	
USER	Bartenschl.	Q4960-A8	
APPRD	HW4 MCH1	TOP HIERARCHY LEVEL	1:1
		SCHEMATIC	
2	17007	28.07.2004	bar
1	16363	30.06.2004	bar
VERS.	CHANGE NUMBER	DATE	NAME
Siemens AG	80615		sheet10

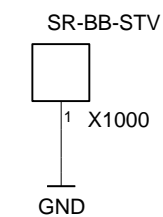
( Created by BOM number: A5B00900155657-17007 )

# SGOLDLITE\_SUPPLYDOMAIN

1100-1199



**Confidential**  
Copyright © Siemens AG



DATE	27.05.2004	NEO Mainboard B2.2	
USER	Bartenschl.	Q4960-A8	
APPR'D		TOP HIERARCHY LEVEL	1:1
	HW4 MCH1	SCHEMATIC	
	Siemens AG	80615	sheet11

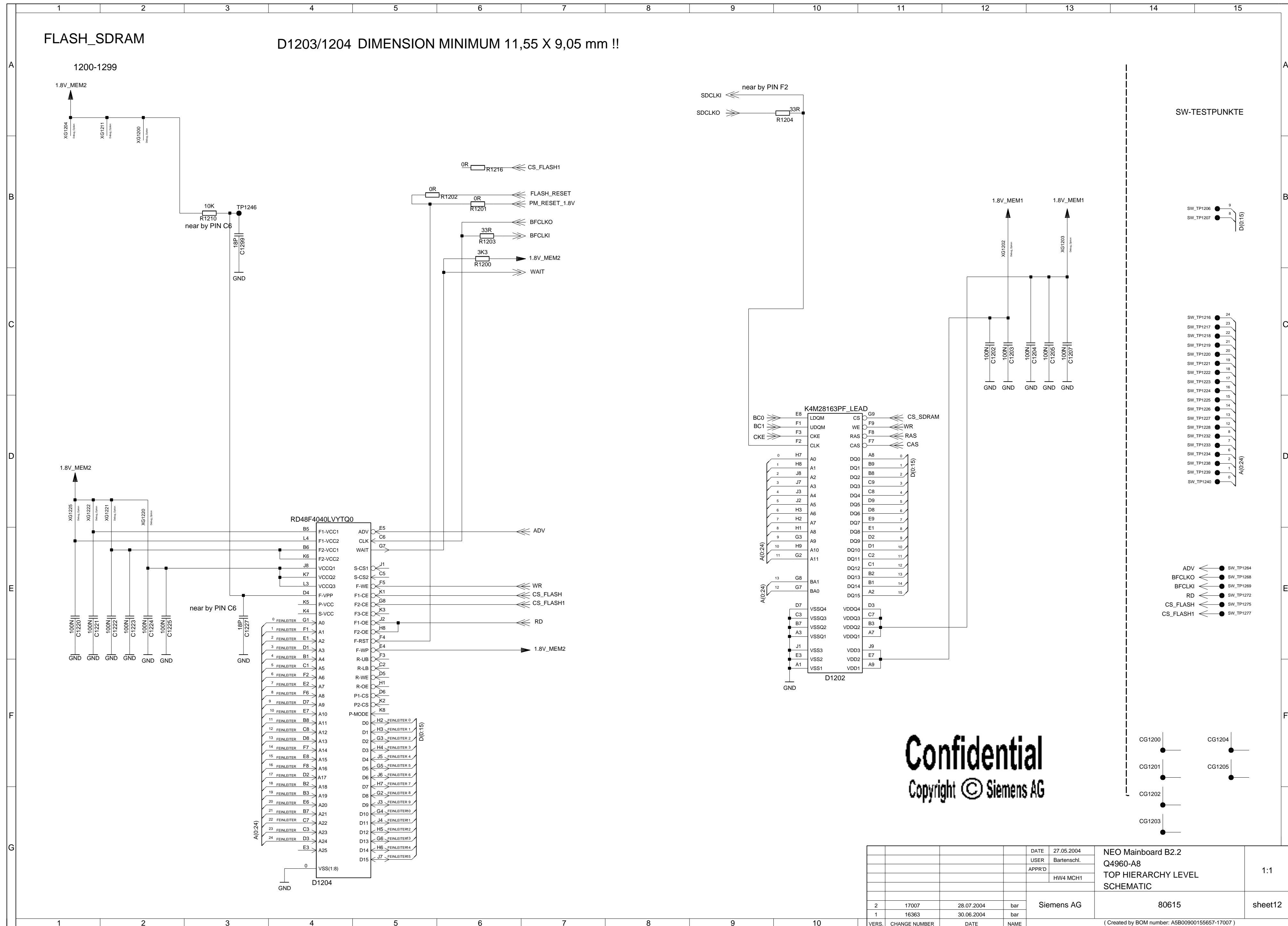
( Created by BOM number: A5B00900155657-17007 )

Proprietary data, Company confidential.  
all rights reserved

Als Betriebsgeheimnis anvertraut  
alle Rechte vorbehalten

# FLASH\_SDRAM

D1203/1204 DIMENSION MINIMUM 11,55 X 9,05 mm !!



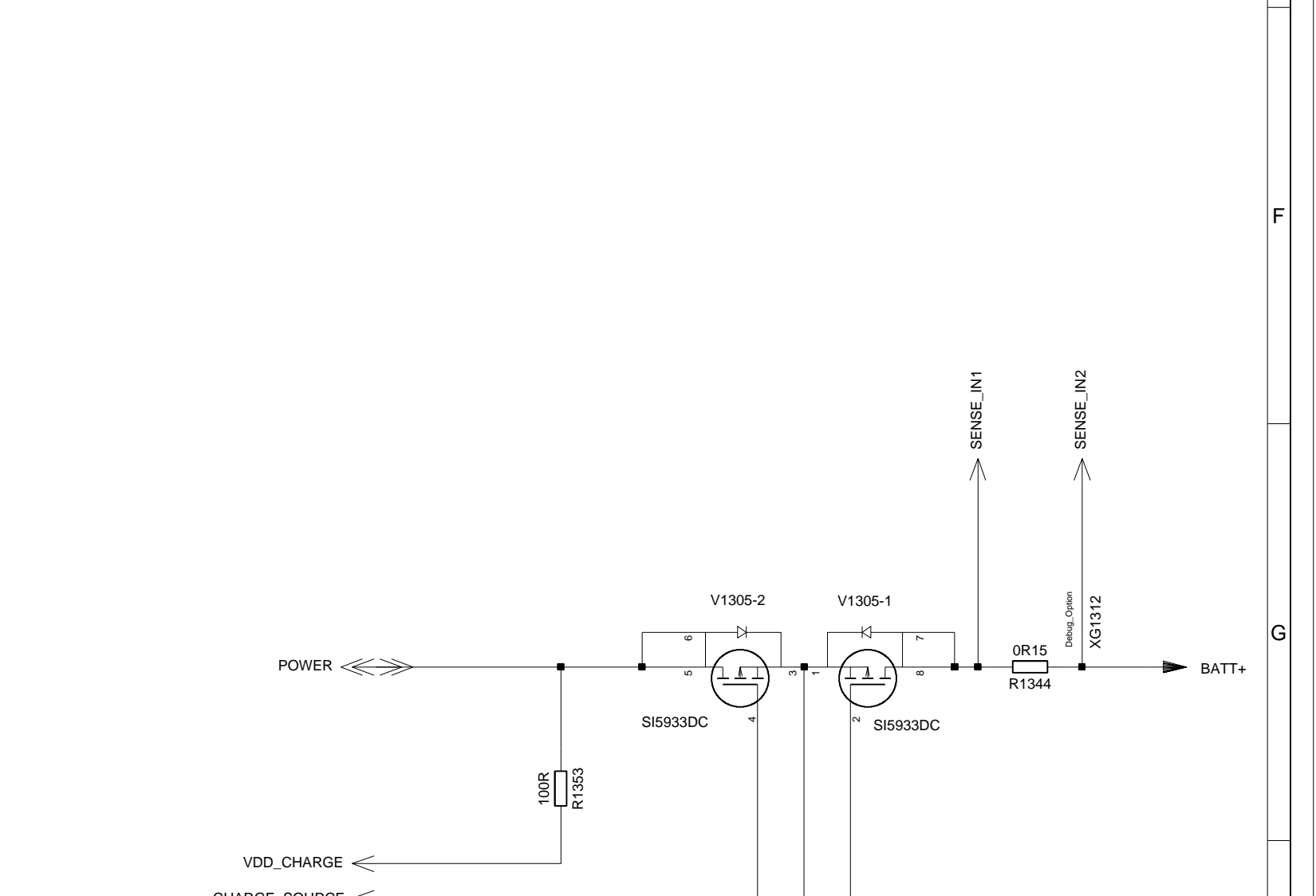
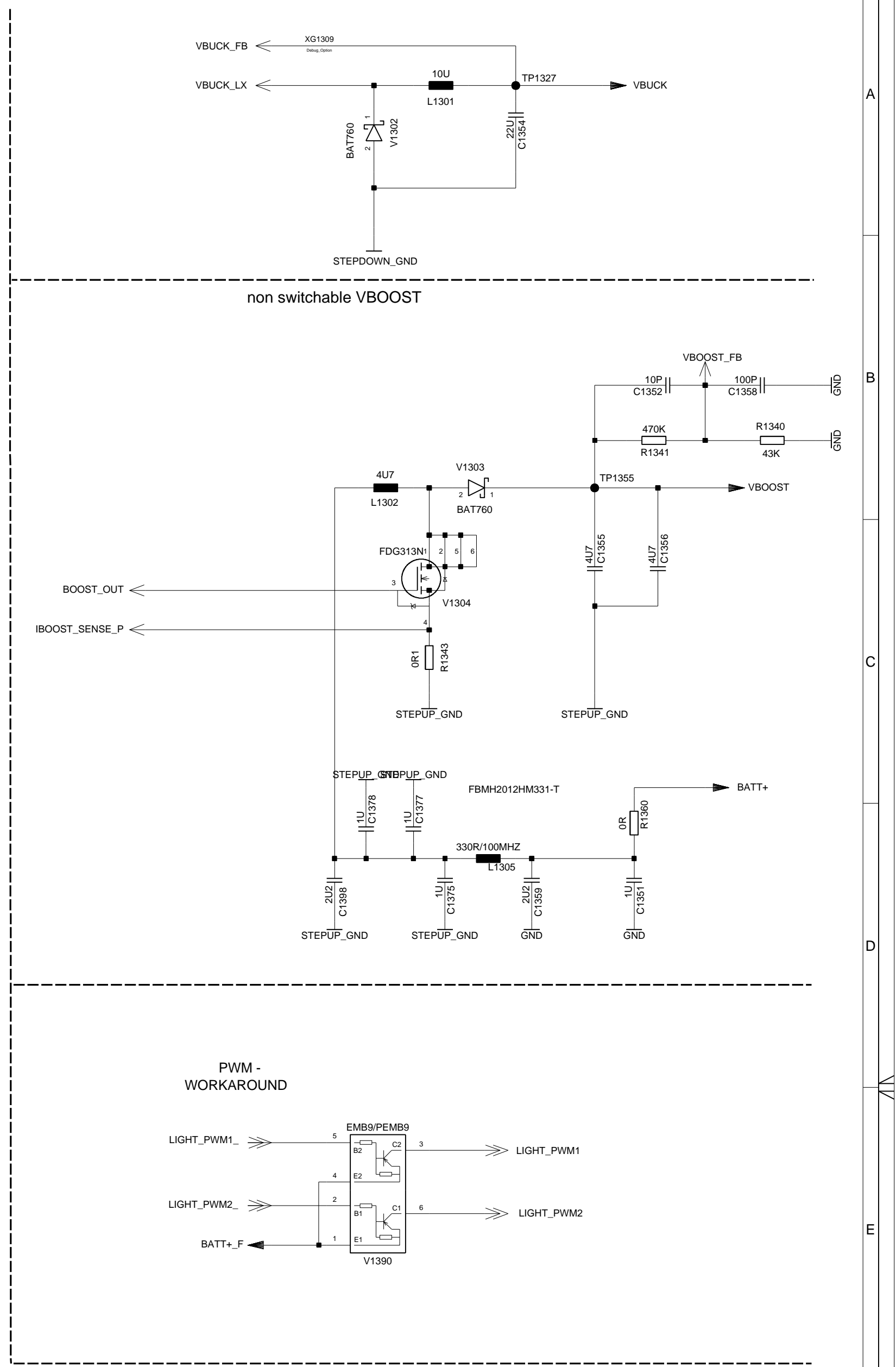
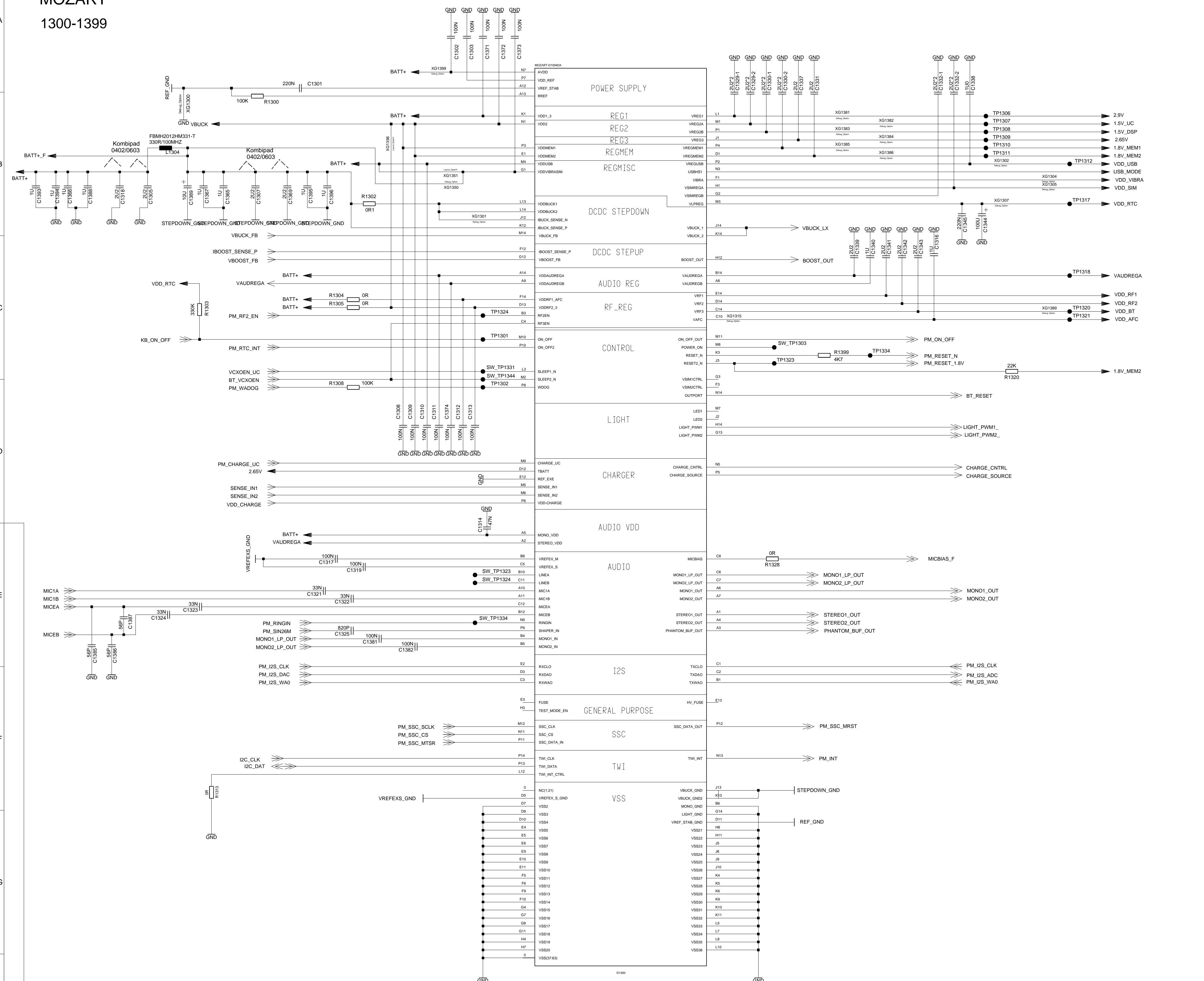
**Confidential**  
Copyright © Siemens AG

DATE	27.05.2004	NEO Mainboard B2.2	
USER	Bartenschl.	Q4960-A8	
APPR'D		TOP HIERARCHY LEVEL	1:1
	HW4 MCH1	SCHEMATIC	
2	17007	28.07.2004	bar
1	16363	30.06.2004	bar
VERS.	CHANGE NUMBER	DATE	NAME
			Siemens AG
			80615
			sheet12

( Created by BOM number: A5B00900155657-17007 )



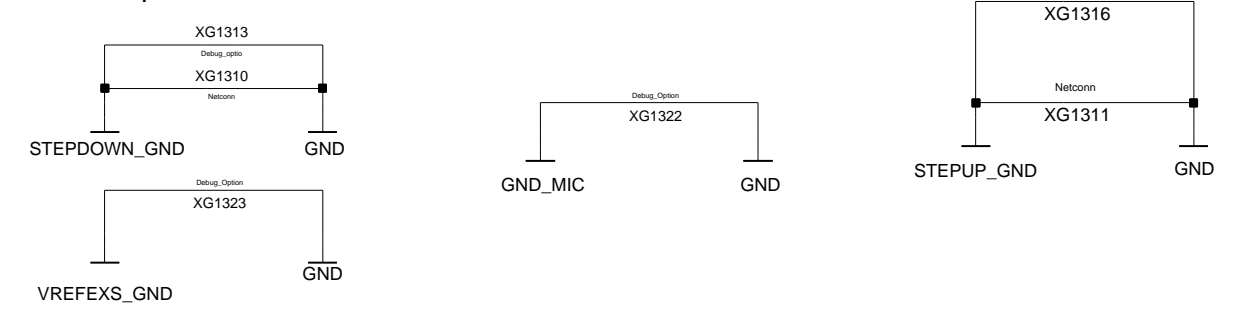
MOZART  
1300-1399



pin J13 and K13 has to be connected directly with H11 and K11 without any via

short as possible at the ASIC

XG1323 shall be placed on top of D1300 pin D5 and E5  
XG1300 shall be placed on top of D1300 pin D11 and E11  
XG1313 shall be placed on top of D1300 pin J13,K13 with h11, K11



Sin nuestra expresa autorización, queda terminantemente prohibida la reproducción total o parcial de este documento, así como su uso indebido y/o su explotación o comunicación terceros. De los infractores se exigirá el correspondiente resarcimiento de daños y perjuicios. Se reserva todos los derechos para el caso de la concesión de patentes de invención o el registro de Modelos Industriales.

Wiedergabe sowie Vervielfältigung dieses Urtextes, Verwertung und Mitteilung ihres Inhalts ist nicht gestattet, soweit nicht ausdrücklich zugestimmt. Zuwiderhandlungen verpflichten zu Schadenersatz. Alle Rechte für den Fall der Patenterteilung oder G.M. Eintragung vorbehalten.

Copying of this document, and giving to others and the use or communication of the contents thereof, are forbidden without express authority. Offenders are liable to the payment of damages. All rights are reserved in the event of the grant of a Patent or the registration of a utility model or design.

DATE	27.05.2004	USER	Bartenschl.	NEO Mainboard B2.2	
APPNO			HW4 MCH1	Q4960-A8	
				TOP HIERARCHY LEVEL	1:1
				SCHEMATIC	
VERS.	CHANGE NUMBER	DATE	NAME	Siemens AG	80615
2	17007	28.07.2004	bar		sheet13
1	16363	30.06.2004	bar		

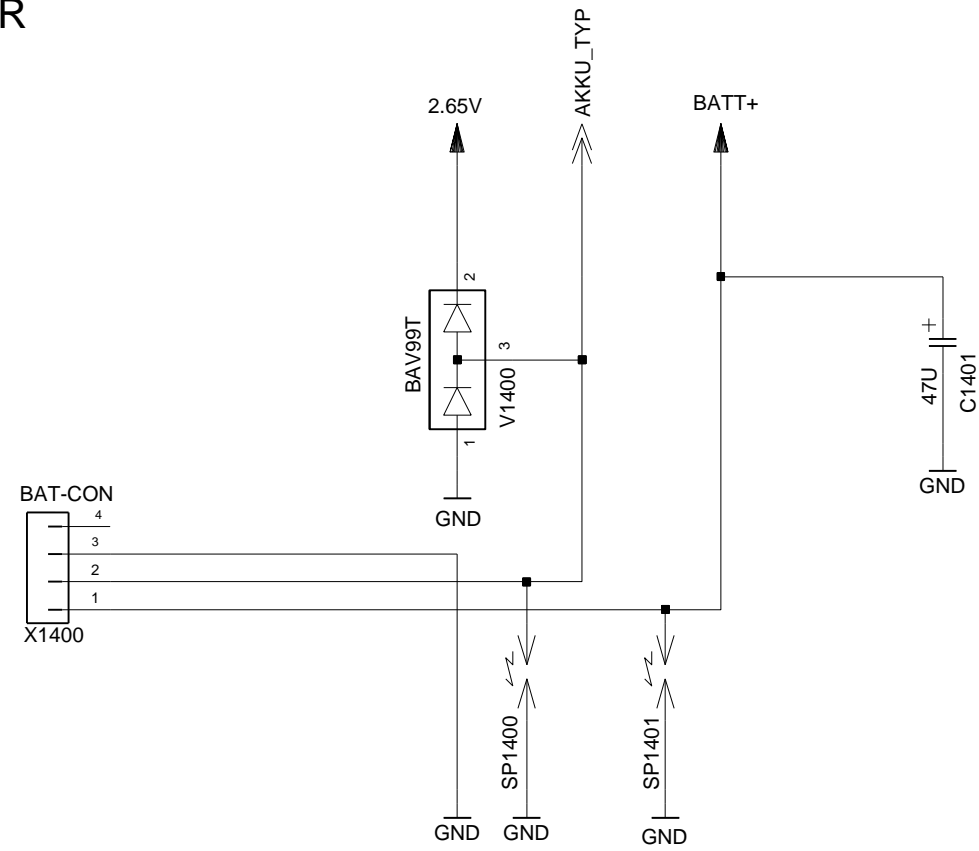
( Created by BOM number: A5800900156657-17007 )

Proprietary data, company confidential.  
All rights reserved

Als Betriebsgeheimnis anvertraut  
Alle Rechte vorbehalten

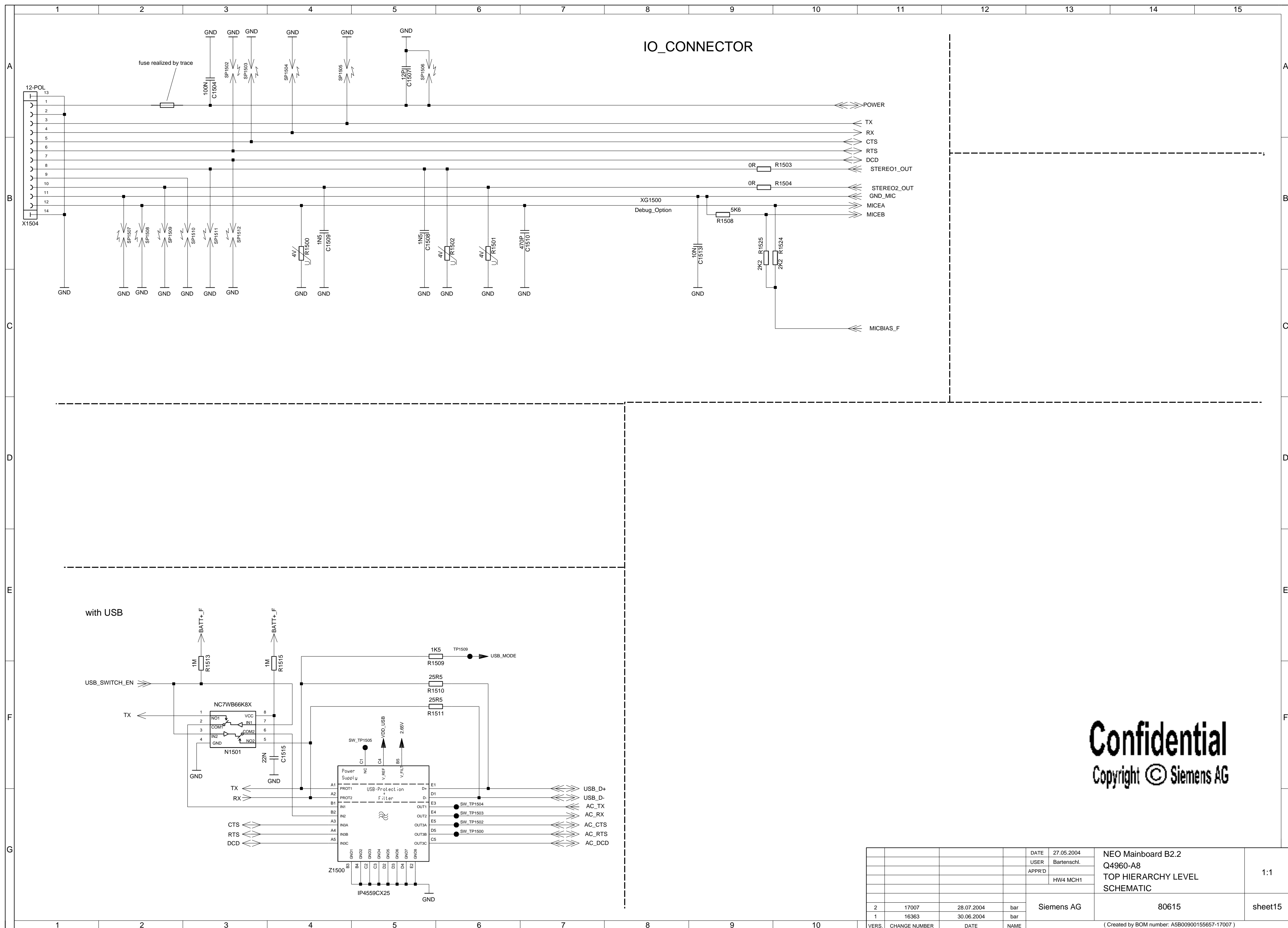
# BATTERY\_CONNECTOR

1400-1449



**Confidential**  
Copyright © Siemens AG

				DATE	27.05.2004	NEO Mainboard B2.2 Q4960-A8 TOP HIERARCHY LEVEL SCHEMATIC	1:1
				USER	Bartenschl.		
				APPR'D			
					HW4 MCH1		
2	17007	28.07.2004	bar	Siemens AG		80615	sheet14
1	16363	30.06.2004	bar				
VERS.	CHANGE NUMBER	DATE	NAME	( Created by BOM number: A5B00900155657-17007 )			



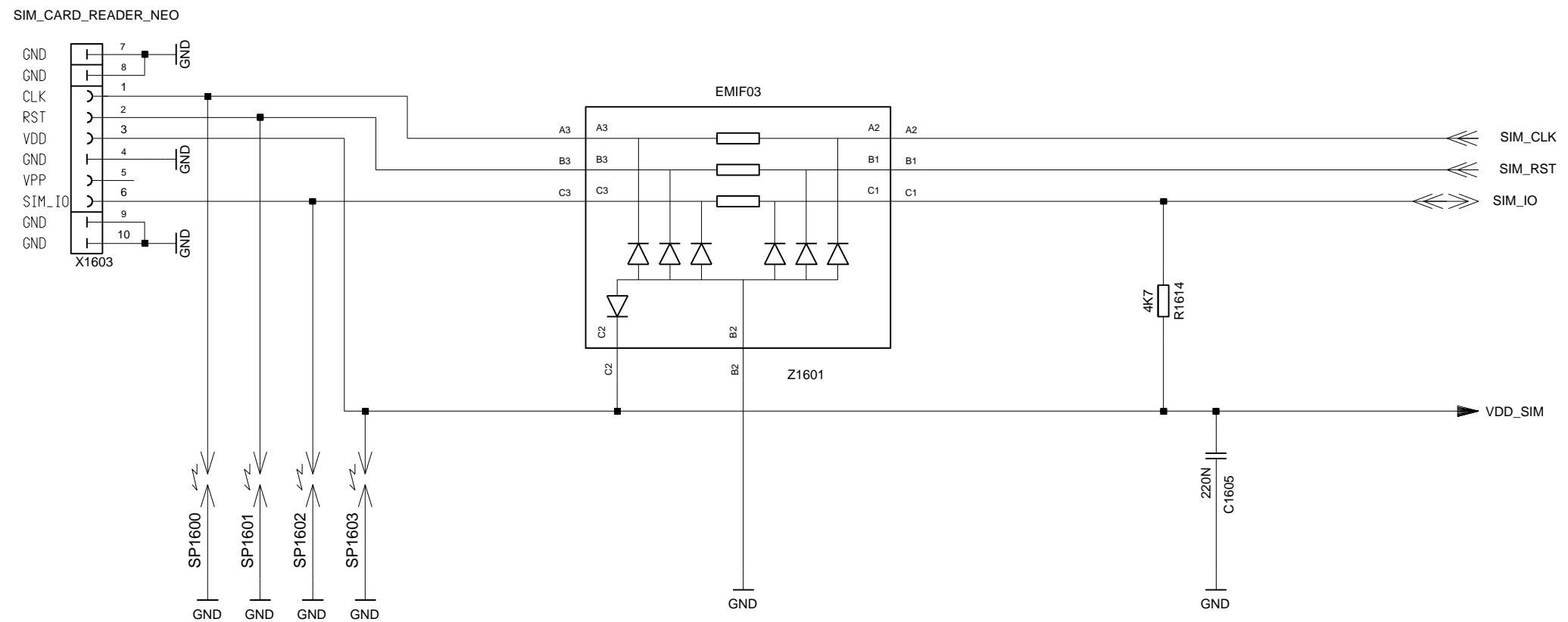
**Confidential**  
Copyright © Siemens AG

DATE	27.05.2004	NEO Mainboard B2.2	
USER	Bartenschl.	Q4960-A8	
APPR'D		TOP HIERARCHY LEVEL	1:1
		SCHEMATIC	
Siemens AG		80615	sheet15
VERS.	CHANGE NUMBER	DATE	NAME
2	17007	28.07.2004	bar
1	16363	30.06.2004	bar

( Created by BOM number: A5B00900155657-17007 )

# SIM\_CONNECTOR

1600-1659



Proprietary data, company confidential.  
All rights reserved

Als Betriebsgeheimnis anvertraut  
Alle Rechte vorbehalten

**Confidential**  
Copyright © Siemens AG

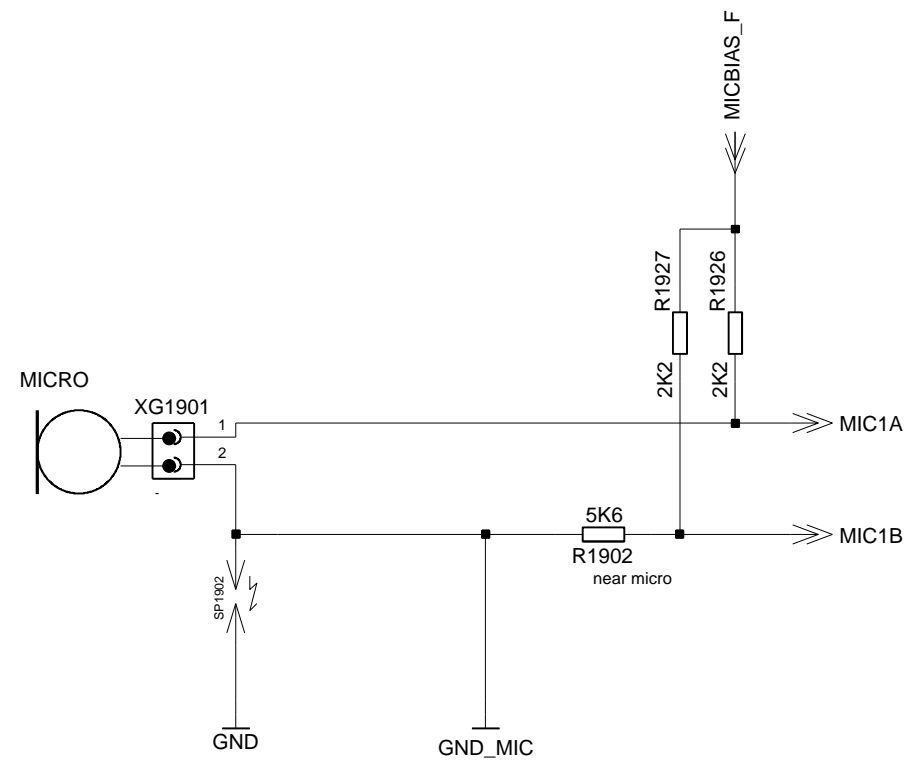
				DATE	27.05.2004	NEO Mainboard B2.2 Q4960-A8 TOP HIERARCHY LEVEL SCHEMATIC	1:1
				USER	Bartenschl.		
				APPR'D			
					HW4 MCH1		
					Siemens AG	80615	sheet16
2	17007	28.07.2004	bar				
1	16363	30.06.2004	bar				
VERS.	CHANGE NUMBER	DATE	NAME	( Created by BOM number: A5B00900155657-17007 )			

Proprietary data, company confidential.  
All rights reserved

Als Betriebsgeheimnis anvertraut  
Alle Rechte vorbehalten

# MICROPHONE\_CIRCUIT\_1

1900-1999

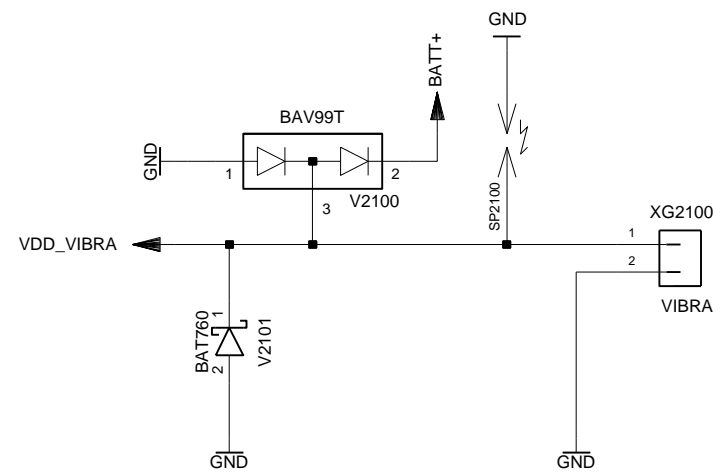


**Confidential**  
Copyright © Siemens AG

				DATE	27.05.2004	NEO Mainboard B2.2 Q4960-A8 TOP HIERARCHY LEVEL SCHEMATIC	1:1
				USER	Bartenschl.		
				APPR'D			
					HW4 MCH1		
				Siemens AG		80615	sheet19
2	17007	28.07.2004	bar				
1	16363	30.06.2004	bar				
VERS.	CHANGE NUMBER	DATE	NAME	( Created by BOM number: A5B00900155657-17007 )			

# VIBRA

2100-2125



**Confidential**  
Copyright © Siemens AG

Proprietary data, company confidential.  
All rights reserved

Als Betriebsgeheimnis anvertraut  
Alle Rechte vorbehalten

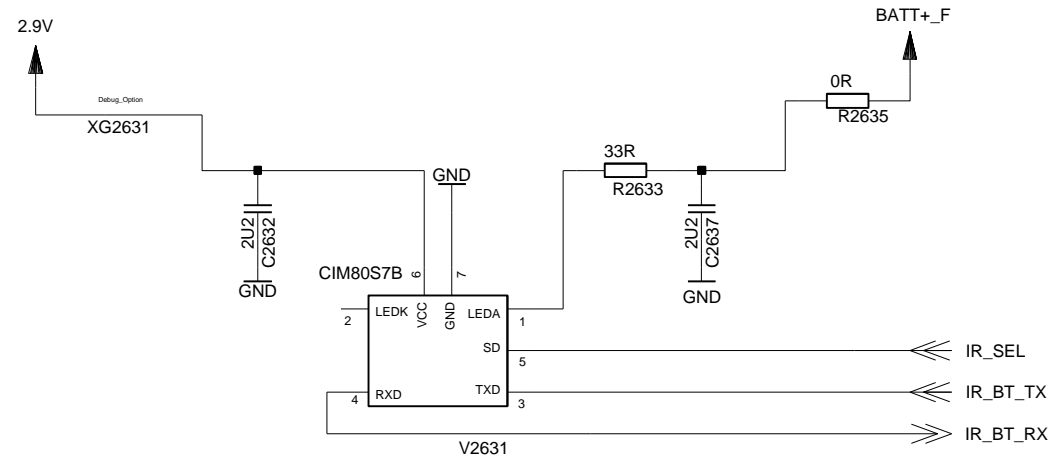
				DATE	27.05.2004	NEO Mainboard B2.2 Q4960-A8 TOP HIERARCHY LEVEL SCHEMATIC	1:1
				USER	Bartenschl.		
				APPR'D			
					HW4 MCH1		
				Siemens AG		80615	sheet21
2	17007	28.07.2004	bar				
1	16363	30.06.2004	bar				
VERS.	CHANGE NUMBER	DATE	NAME	( Created by BOM number: A5B00900155657-17007 )			

Proprietary data, company confidential.  
All rights reserved

Als Betriebsgeheimnis anvertraut  
Alle Rechte vorbehalten

IRDA  
2600-2699

low profile package



**Confidential**  
Copyright © Siemens AG

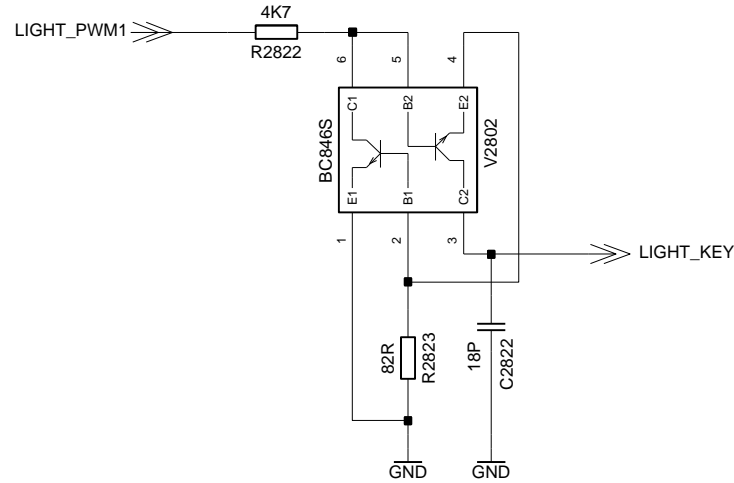
				DATE	27.05.2004	NEO Mainboard B2.2 Q4960-A8 TOP HIERARCHY LEVEL SCHEMATIC	1:1
				USER	Bartenschl.		
				APPR'D			
					HW4 MCH1		
					Siemens AG	80615	sheet26
2	17007	28.07.2004	bar				
1	16363	30.06.2004	bar				
VERS.	CHANGE NUMBER	DATE	NAME	( Created by BOM number: A5B00900155657-17007 )			

Proprietary data, company confidential.  
All rights reserved

Als Betriebsgeheimnis anvertraut  
Alle Rechte vorbehalten

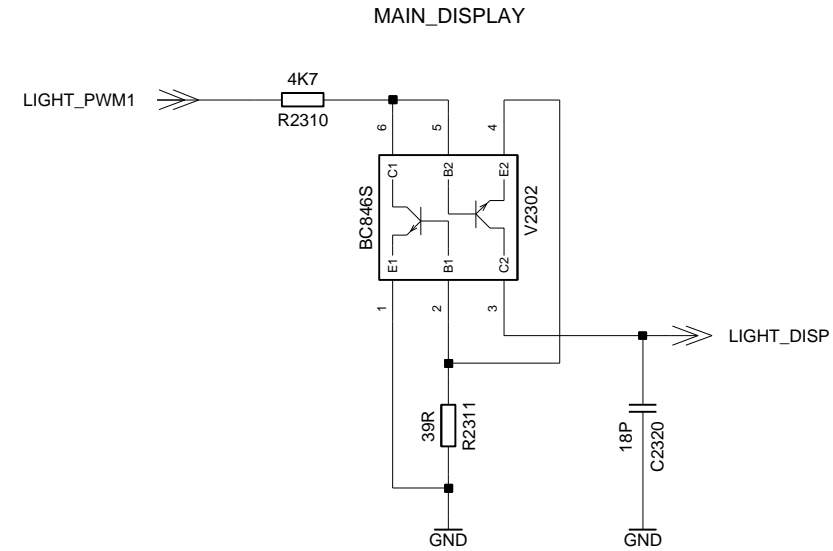
## KEYPAD\_BACKLIGHT

2800-2849



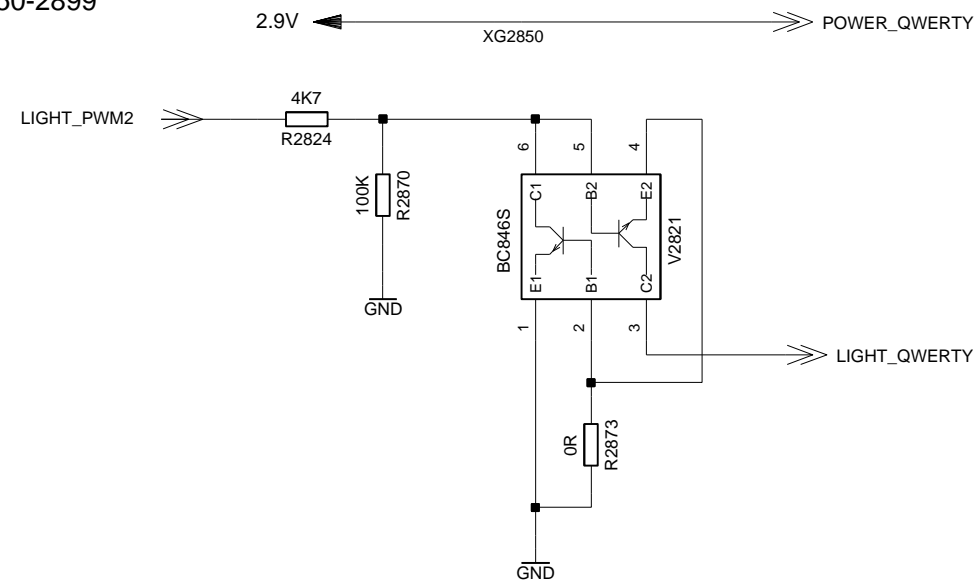
## DISPLAY\_BACKLIGHT

2300-2399



## QWERTY(Z)\_BACKLIGHT

2850-2899



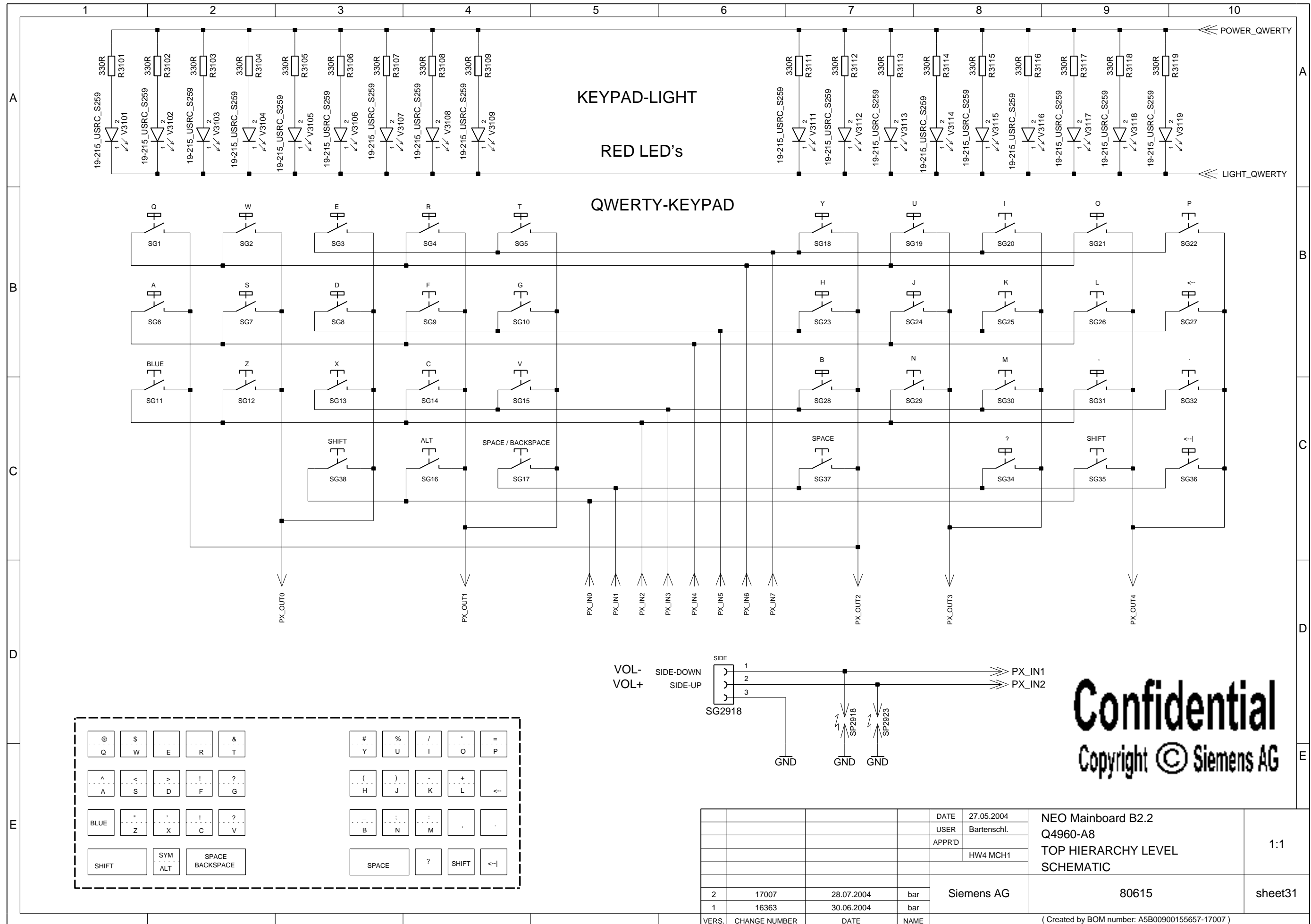
**Confidential**  
Copyright © Siemens AG

VERS.	CHANGE NUMBER	DATE	NAME	DATE	USER	APPR'D	Siemens AG	NEO Mainboard B2.2 Q4960-A8 TOP HIERARCHY LEVEL SCHEMATIC	1:1
2	17007	28.07.2004	bar	27.05.2004	Bartenschl.				
1	16363	30.06.2004	bar			HW4 MCH1			
							80615		sheet28
( Created by BOM number: A5B00900155657-17007 )									



Proprietary data, company confidential.  
All rights reserved

Als Betriebsgeheimnis anvertraut  
Alle Rechte vorbehalten

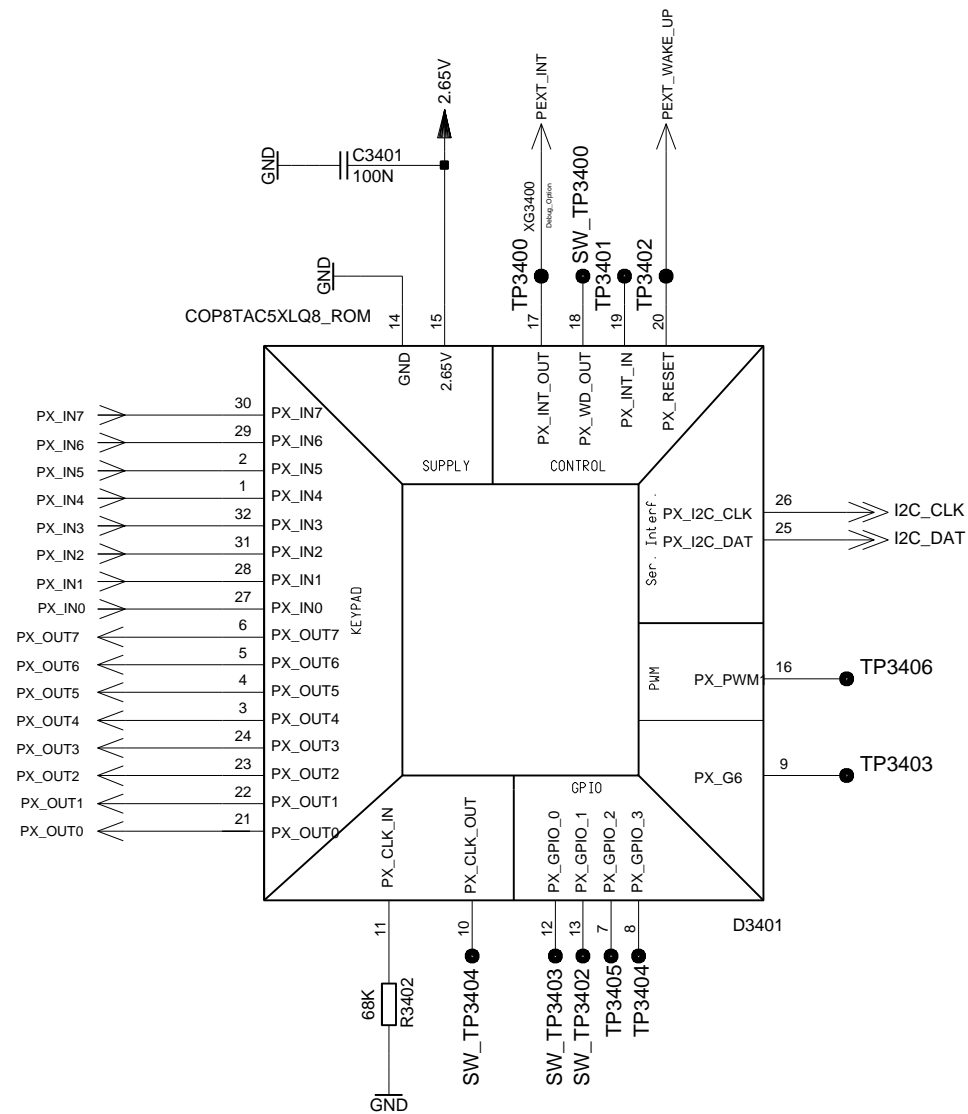


**Confidential**  
Copyright © Siemens AG

DATE	27.05.2004	NEO Mainboard B2.2		1:1
USER	Bartenschl.	Q4960-A8		
APPR'D		TOP HIERARCHY LEVEL		
		HW4 MCH1		
Siemens AG		80615	sheet31	
VERS.	CHANGE NUMBER	DATE	NAME	( Created by BOM number: A5B00900155657-17007 )
2	17007	28.07.2004	bar	
1	16363	30.06.2004	bar	

# KEYPAD EXPANDER

3400-3499



## ISP-IF

- TP3400
- TP3401
- TP3402
- TP3403
- TP3404
- TP3405

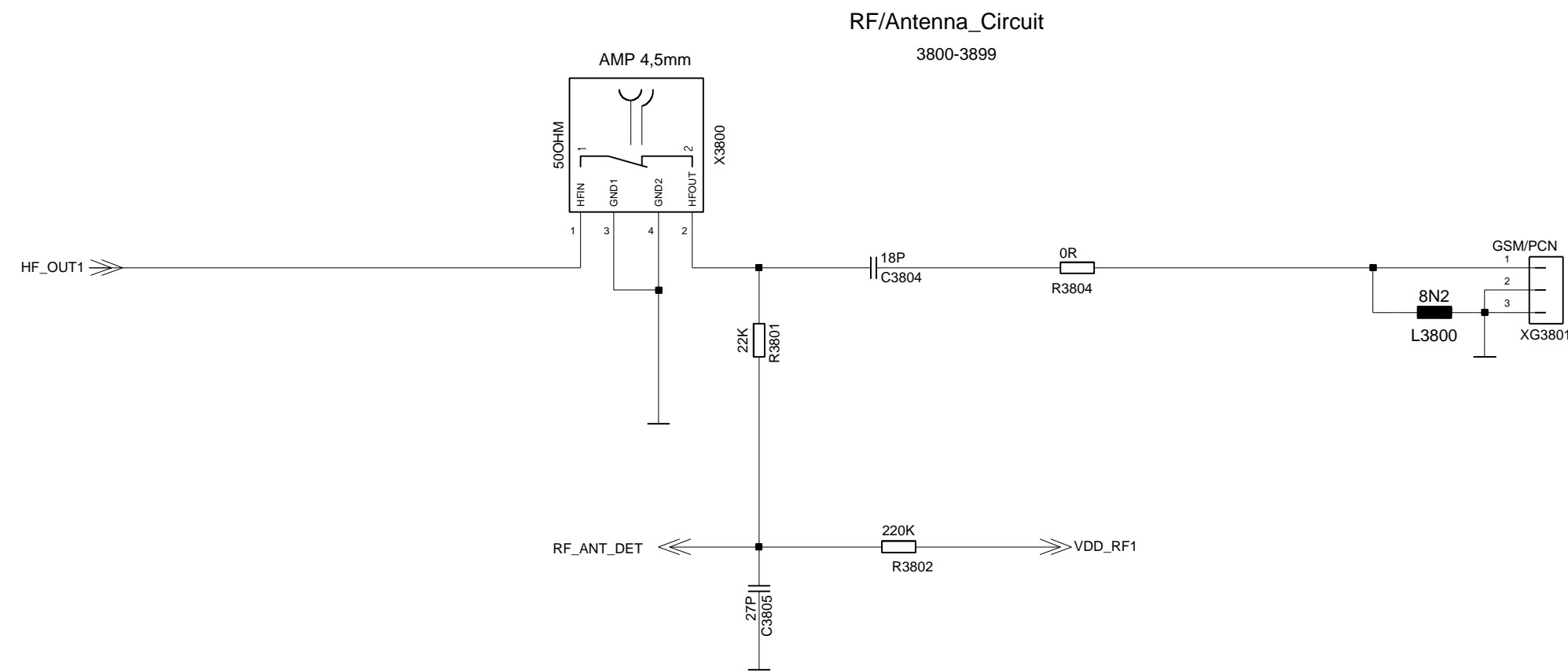
Proprietary data, company confidential.  
All rights reserved

Als Betriebsgeheimnis anvertraut  
Alle Rechte vorbehalten

**Confidential**  
Copyright © Siemens AG

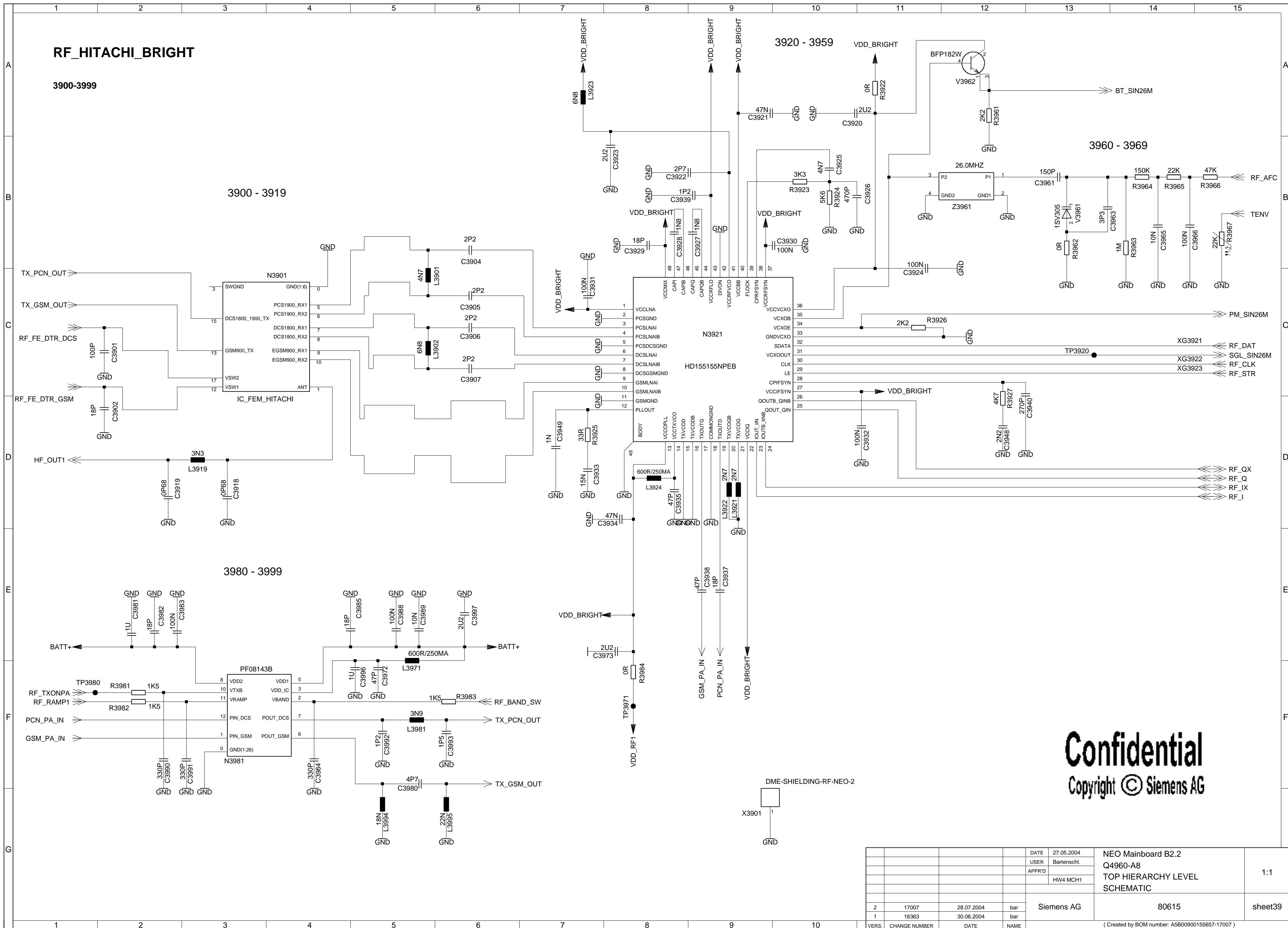
DATE	27.05.2004	NEO Mainboard B2.2		1:1		
USER	Bartenschl.	Q4960-A8				
APPR'D		TOP HIERARCHY LEVEL				
	HW4 MCH1	SCHEMATIC				
VERS.	CHANGE NUMBER	DATE	NAME	Siemens AG	80615	sheet34
2	17007	28.07.2004	bar			
1	16363	30.06.2004	bar			

( Created by BOM number: A5B00900155657-17007 )



**Confidential**  
Copyright © Siemens AG

DATE	27.05.2004	NEO Mainboard B2.2	
USER	Bartenschl.	Q4960-A8	
APPR'D		TOP HIERARCHY LEVEL	1:1
	HW4 MCH1	SCHEMATIC	
VERS.	CHANGE NUMBER	DATE	NAME
2	17007	28.07.2004	bar
1	16363	30.06.2004	bar
Siemens AG		80615	sheet38
( Created by BOM number: A5B00900155657-17007 )			



**Confidential**  
Copyright © Siemens AG

DATE	27.05.2004	NEO Mainboard B2.2	
USER	Bartenschl.	Q4960-A8	
APPR'D		TOP HIERARCHY LEVEL	1:1
	HW4 MCH1	SCHEMATIC	
2	17007	28.07.2004	bar
1	16363	30.06.2004	bar
VERS.	CHANGE NUMBER	DATE	NAME
Siemens AG	80615		sheet39

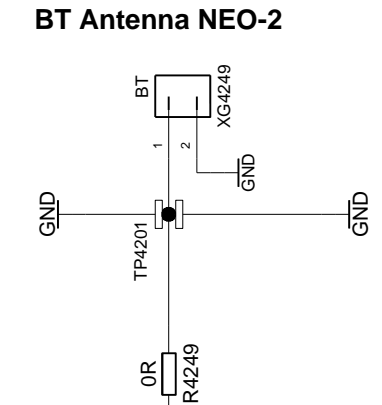
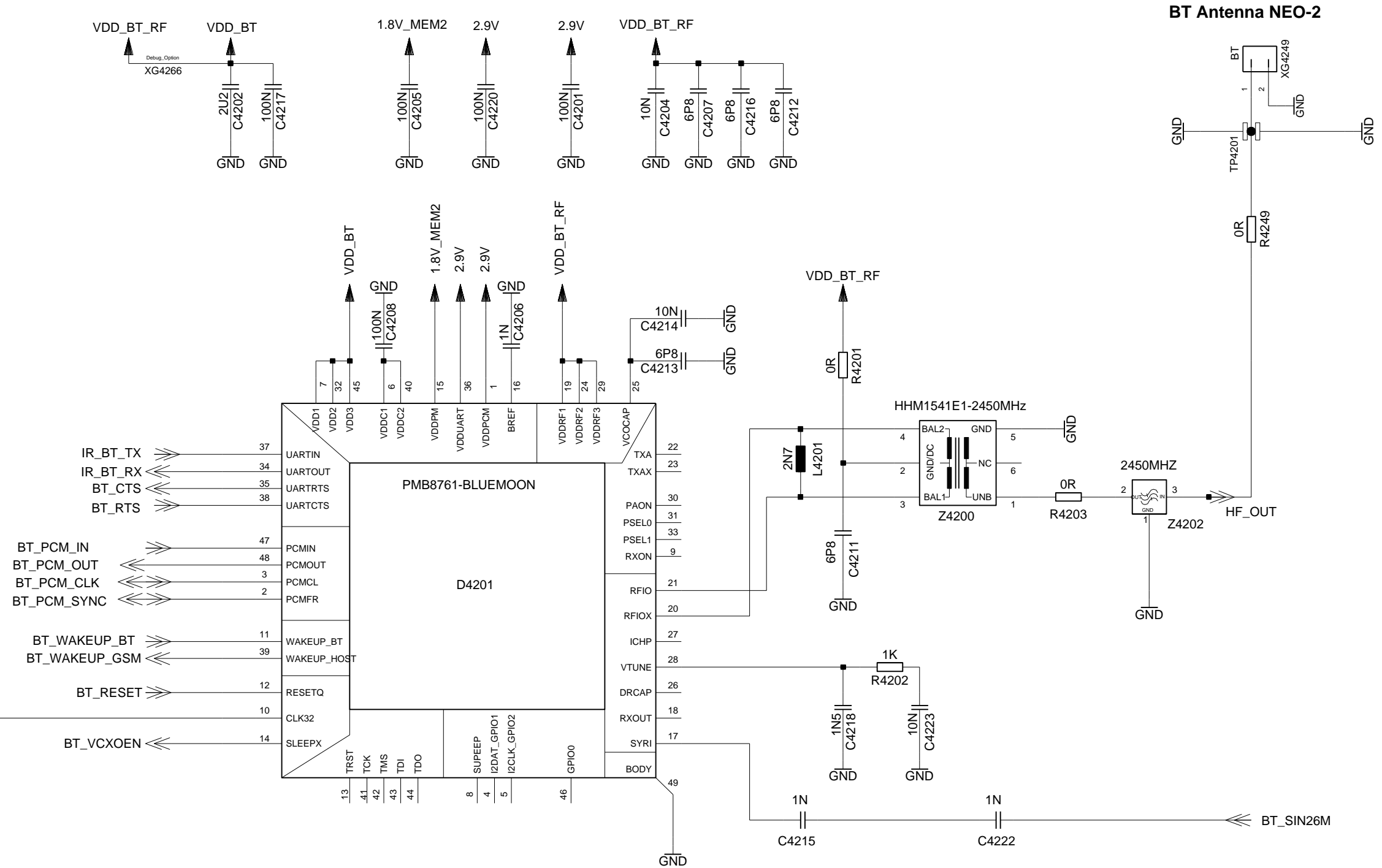
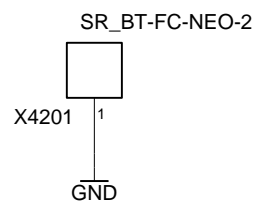
( Created by BOM number: A5B00900155657-17007 )

Proprietary data, company confidential.  
All rights reserved

Als Betriebsgeheimnis anvertraut  
Alle Rechte vorbehalten

# BLUETOOTH

4200-4299



**Confidential**  
Copyright © Siemens AG

DATE	27.05.2004	NEO Mainboard B2.2		1:1
USER	Bartenschl.	Q4960-A8		
APPR'D		TOP HIERARCHY LEVEL		
		HW4 MCH1		
VERS.	CHANGE NUMBER	DATE	NAME	Siemens AG
2	17007	28.07.2004	bar	80615
1	16363	30.06.2004	bar	sheet42

( Created by BOM number: A5B00900155657-17007 )

PROPRIETARY DATA, COMPANY CONFIDENTIAL  
ALL RIGHTS RESERVED

ALS BETRIEBSGEHEIMNIS ANVERTRAUT  
ALLE RECHTE VORBEHALTEN

1 2 3 4 5 6 7 8 9 10

A

B

C

D

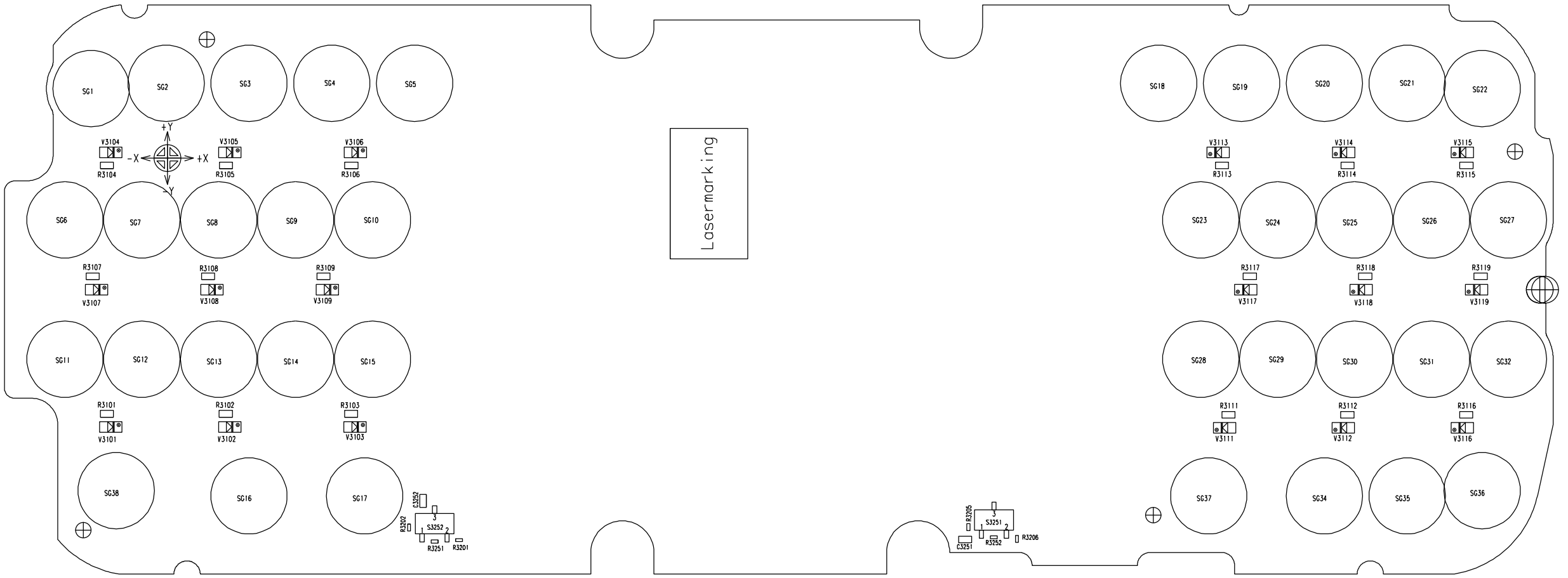
E

A

B

C

D



C3251	7C	V3118	9B
C3252	3C	V3119	10B
R3101	1B		
R3102	2B		
R3103	3B		
R3104	1A		
R3105	2A		
R3106	3A		
R3107	1B		
R3108	2B		
R3109	3B		
R3111	8B		
R3112	9B		
R3113	8A		
R3114	9A		
R3115	10A		
R3116	10B		
R3117	8B		
R3118	9B		
R3119	10B		
R3201	4C		
R3202	3C		
R3205	7C		
R3206	7C		
R3251	3C		
R3252	7C		
S3251	7C		
S3252	3C		
V3101	2B		
V3102	2B		
V3103	3B		
V3104	2A		
V3105	2A		
V3106	3A		
V3107	1B		
V3108	2B		
V3109	3B		
V3111	8B		
V3112	9B		
V3113	8A		
V3114	9A		
V3115	9A		
V3116	9B		
V3117	8B		

**Confidential**  
Copyright © Siemens AG

Achtung : Höhenprofil C24\_...\_...\_42 (gilt nur fuer Entwicklung)  
Liefervarianten siehe : V24851-Z2000-A1-\*--35

				Datum	27.05.2004	NEO Mainboard B2.2 Q4960-A8 WIRING DIAGRAMM (SOLDER SIDE 1)	3:1
				Bearb.	Bartenschl.		
				Gepr.			
				Norm	HW4 MCH1		
2	17007	28.07.2004	bar	Siemens AG		80616	Blatt
1	16363	30.06.2004	bar				1+
Zust.	Mitteilung	Datum	Name	( Created by BOM number: A5B00900155657-17007 )			

1 2 3 4 5

C969	5A	C1205	8C	C1351	6B	C3804	2C	C3988	2B	L3971	3B	R1343	7B	R3964	2A
C970	5A	C1207	8C	C1352	7B	C3805	2C	C3989	3B	L3981	2B	R1344	7B	R3965	2A
C971	5A	C1220	8B	C1354	7B	C3901	2B	C3990	3B	L3994	2B	R1353	8B	R3966	2A
C972	5A	C1221	8A	C1355	7B	C3902	2B	C3991	3B	L3995	2B	R1360	6B	R3967	2A
C973	5A	C1222	8A	C1356	7B	C3904	2B	C3992	3B	L4201	3A	R1399	8B	R3981	3B
C974	5A	C1223	9A	C1358	7B	C3905	2B	C3993	2B	N1501	9B	R1500	9B	R3982	3B
C986	6A	C1224	9A	C1359	6B	C3906	2B	C3996	3B	N3901	2B	R1501	9B	R3983	3B
C987	5A	C1225	8B	C1365	7B	C3907	2B	C3997	3B	N3921	2B	R1502	9B	R3984	3B
C988	5A	C1227	8A	C1366	7C	C3918	2B	C4201	3A	N3981	3B	R1503	9B	R4201	3A
C989	5A	C1299	8B	C1367	7B	C3919	2B	C4202	3A	R971	5A	R1504	9B	R4202	3A
C990	5A	C1301	7C	C1369	7B	C3920	2A	C4204	3A	R1006	8B	R1508	9B	R4203	3A
C992	5A	C1302	7B	C1371	8B	C3921	2A	C4205	4A	R1014	7A	R1509	9B	R4249	4A
C993	5A	C1303	7B	C1372	8B	C3922	2A	C4206	3A	R1018	7A	R1510	9B	V1302	6B
C1000	8B	C1305	7C	C1373	8B	C3923	2A	C4207	3A	R1021	7A	R1511	9B	V1303	7B
C1001	7A	C1307	7B	C1374	8C	C3924	2A	C4208	3A	R1022	7A	R1513	9B	V1304	7B
C1002	7A	C1308	7B	C1375	6B	C3925	2A	C4211	3A	R1023	7A	R1515	9B	V1305	7B
C1003	7A	C1309	8B	C1377	6B	C3926	2A	C4212	3A	R1024	7B	R1524	9B	V1390	6B
C1005	7B	C1310	7B	C1378	6B	C3927	2B	C4213	3A	R1025	7B	R1525	9B	V1400	4C
C1011	7A	C1311	7C	C1381	7C	C3928	2B	C4214	3A	R1039	7A	R1614	4B	V2100	10A
C1110	7B	C1312	7C	C1382	7C	C3929	2B	C4215	4A	R1040	6A	R1902	9C	V2101	9A
C1120	7A	C1313	7C	C1385	7C	C3930	2A	C4216	3A	R1041	6A	R1926	8C	V2302	5A
C1121	7A	C1314	7C	C1386	7C	C3931	2B	C4217	3A	R1042	6A	R1927	8C	V2631	1A
C1122	8B	C1316	7C	C1387	7C	C3932	2A	C4218	3A	R1043	6A	R2310	5A	V2802	6A
C1123	8A	C1317	7C	C1388	7C	C3933	2B	C4220	4A	R1098	7B	R2311	5A	V2821	5A
C1124	7A	C1318	7C	C1389	6C	C3934	2B	C4222	4A	R1101	8B	R2633	1A	V3961	2A
C1125	8B	C1319	7C	C1393	7C	C3935	2B	C4223	3A	R1130	8A	R2635	1A	V3962	2A
C1126	7A	C1321	8C	C1394	7C	C3937	2A	D1000	8B	R1200	9B	R2822	5A	X970	5A
C1127	8B	C1322	8C	C1395	6B	C3938	2A	D1202	8B	R1201	9B	R2823	5A	X1000	9C
C1128	7B	C1323	7C	C1396	7B	C3939	2A	D1204	8A	R1202	9B	R2824	5A	X1400	5C
C1129	7B	C1324	7C	C1398	6B	C3940	2A	D1300	7B	R1203	8B	R2870	5A	X1504	10B
C1130	7B	C1325	7B	C1401	3C	C3948	2A	D3401	6A	R1204	8B	R2873	5A	X1603	4B
C1131	8B	C1329	8B	C1504	9A	C3949	2B	D4201	4A	R1210	8B	R3402	7A	X3800	2B
C1132	8A	C1330	8B	C1507	9B	C3961	2A	L1301	6B	R1216	8B	R3801	2C	X3901	1A
C1133	8A	C1331	8B	C1508	9B	C3963	2A	L1302	6B	R1300	7C	R3802	2C	X4201	3A
C1134	7B	C1332	8B	C1509	9B	C3965	2A	L1304	7C	R1302	7B	R3804	2C	Z1000	7A
C1135	8B	C1337	8B	C1510	9B	C3966	2A	L1305	6B	R1303	7B	R3922	2A	Z1500	9B
C1136	8A	C1338	8B	C1513	9B	C3972	3B	L3800	2C	R1304	7C	R3923	2A	Z1601	4B
C1137	8B	C1339	7B	C1515	9B	C3973	2B	L3901	2B	R1305	7C	R3924	2A	Z3961	2A
C1139	8A	C1340	7C	C1605	4B	C3980	2B	L3902	2B	R1308	7B	R3925	2B	Z4200	3A
C1140	7A	C1341	7B	C2320	5A	C3981	3B	L3919	2B	R1313	7B	R3926	2A	Z4202	3A
C1141	7B	C1342	7B	C2632	1A	C3982	3B	L3921	2A	R1320	8B	R3927	2A		
C1202	8C	C1343	7B	C2637	1A	C3983	3B	L3922	2A	R1328	8C	R3961	2A		
C1203	8C	C1344	6B	C2822	5A	C3984	3B	L3923	2A	R1340	7B	R3962	2A		
C1204	9C	C1345	5A	C3401	7A	C3985	3B	L3924	2B	R1341	7B	R3963	2A		

**Confidential**  
Copyright © Siemens AG

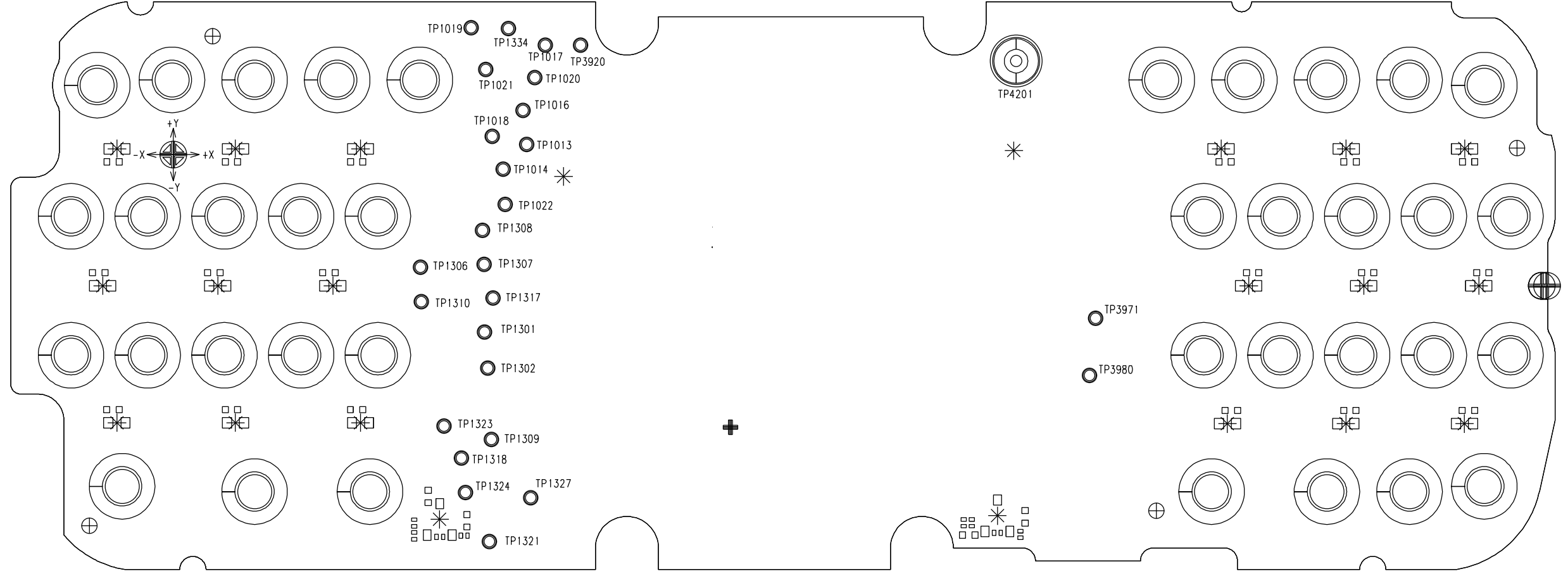
Achtung : Hoehenprofil C24\_...\_...\_42 (gilt nur fuer Entwicklung)  
Liefervarianten siehe : V24851-Z2000-A1-\*-35

			Datum	27.05.2004	NEO Mainboard B2.2 Q4960-A8 WIRING DIAGRAMM (SOLDER SIDE 2)	3:1
		Bearb	Bartenschl.			
		Gepr.				
		Norm	HW4 MCH1			
2	17007	28.07.2004	bar	Siemens AG	80616	Blatt
1	16363	30.06.2004	bar			2+
Zust.	Mitteilung	Datum	Name	( Created by BOM number: A5B00900155657-17007 )		

PROPRIETARY DATA, COMPANY CONFIDENTIAL  
ALL RIGHTS RESERVED

ALS BETRIEBSGEHEIMNIS ANVERTRAUT  
ALLE RECHTE VORBEHALTEN

- TP1013 4A
- TP1014 4A
- TP1016 4A
- TP1017 4A
- TP1018 4A
- TP1019 4A
- TP1020 4A
- TP1021 4A
- TP1022 4A
- TP1301 4B
- TP1302 4B
- TP1306 3B
- TP1307 4B
- TP1308 4B
- TP1309 4B
- TP1310 3B
- TP1317 4B
- TP1318 4C
- TP1321 4C
- TP1323 3B
- TP1324 4C
- TP1327 4C
- TP1334 4A
- TP3920 4A
- TP3971 7B
- TP3980 7B
- TP4201 7A



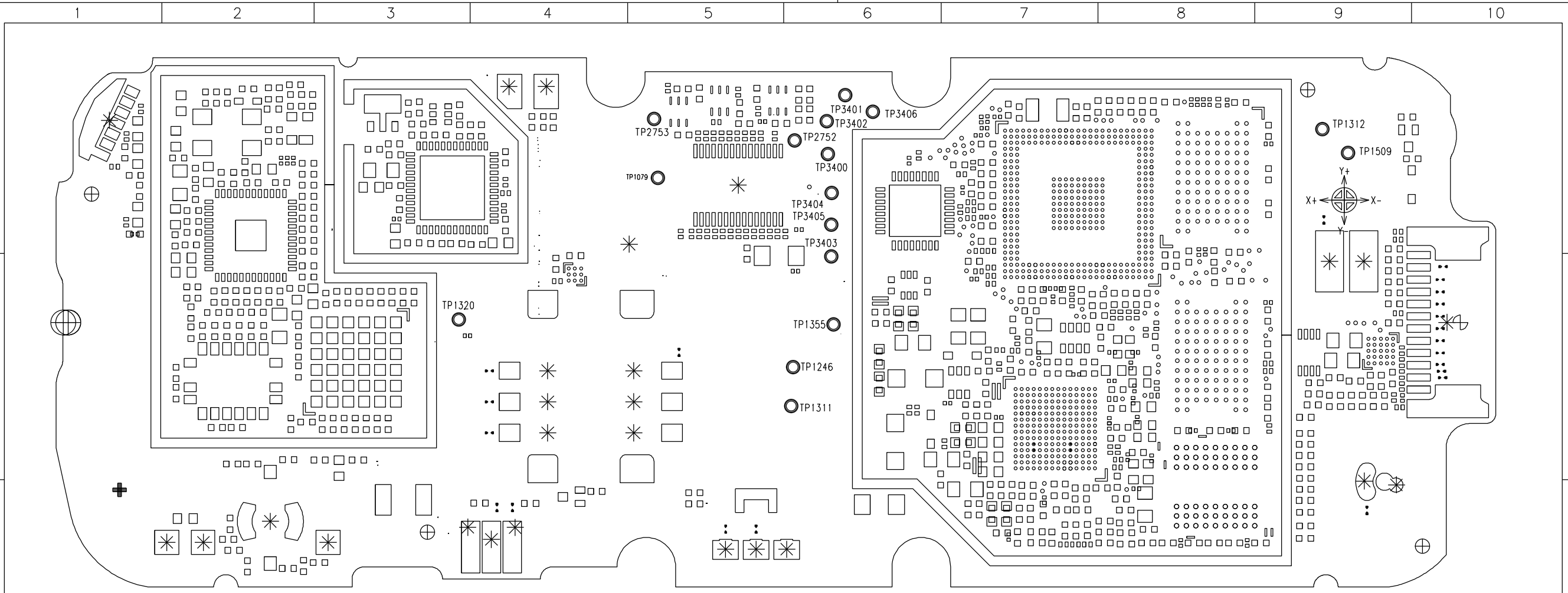
**Confidential**  
Copyright © Siemens AG

				Datum	27.05.2004	NEO Mainboard B2.2 Q4960-A8 TESTPOINT DIAGRAM (SIDE 1)	3:1
				Bearb	Bartenschl.		
				Gepr.			
				Norm	HW4 MCH1		
2	17007	28.07.2004	bar	Siemens AG		80617	Blatt
1	16363	30.06.2004	bar				1+
Zust.	Mitteilung	Datum	Name	( Created by BOM number: A5B00900155657-17007 )			



PROPRIETARY DATA, COMPANY CONFIDENTIAL  
ALL RIGHTS RESERVED

ALS BETRIEBSGEHE IMNIS ANVERTRAUT  
ALLE RECHTE VORBEHALTEN



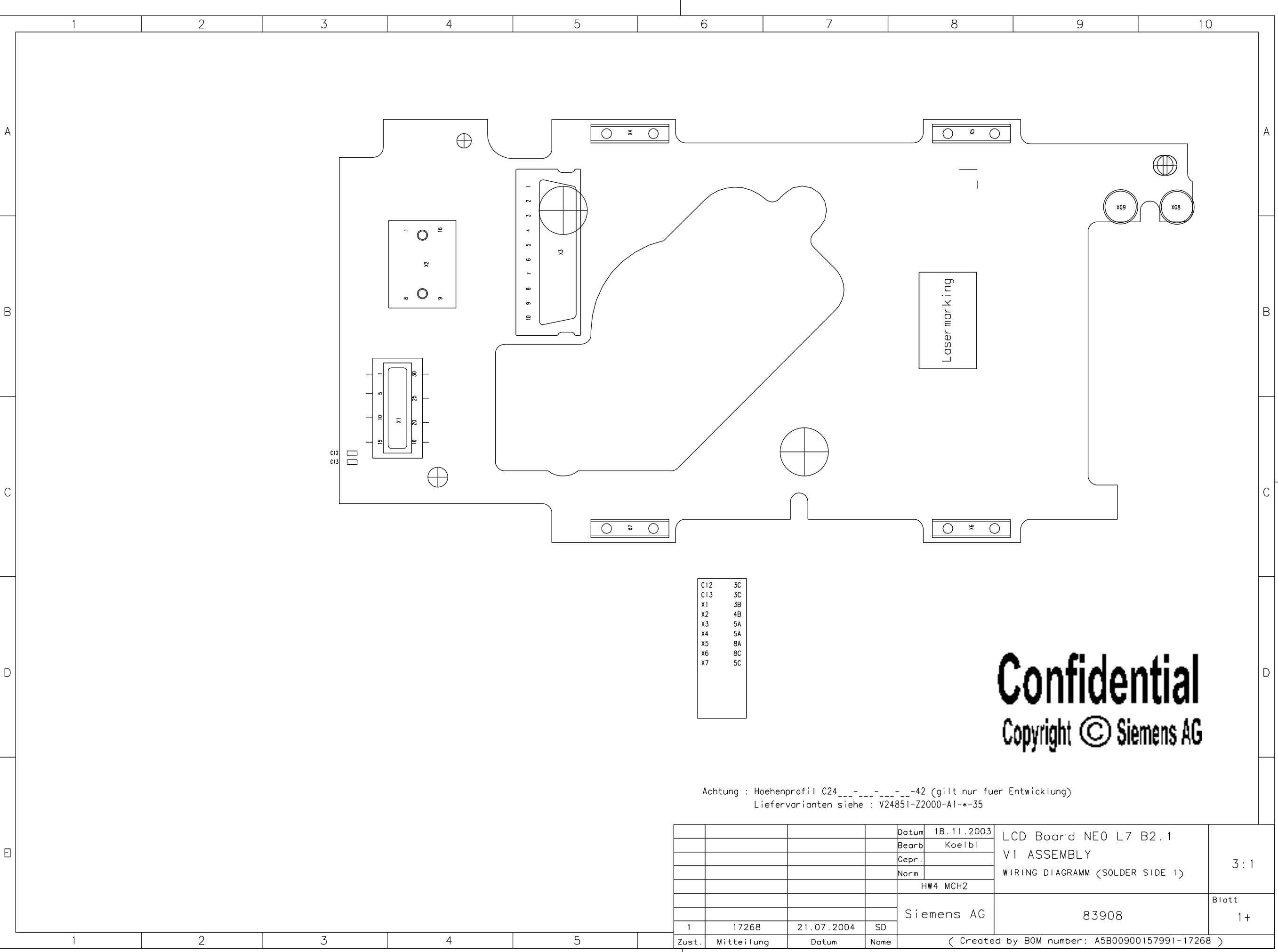
TP1079	5A
TP1246	6B
TP1311	6B
TP1312	9A
TP1320	3B
TP1355	6B
TP1509	9A
TP2752	6A
TP2753	5A
TP3400	6A
TP3401	6A
TP3402	6A
TP3403	6B
TP3404	6A
TP3405	6A
TP3406	6A

**Confidential**  
Copyright © Siemens AG

				Datum	27.05.2004	NEO Mainboard B2.2 Q4960-A8 TESTPOINT DIAGRAMM (SIDE 2)	3:1
				Bearb.	Bartenschl.		
				Gepr.			
				Norm	HW4 MCH1		
2	17007	28.07.2004	bar	Siemens AG		80617	Blatt
1	16363	30.06.2004	bar				2-
Zust.	Mitteilung	Datum	Name	( Created by BOM number: A5B00900155657-17007 )			

PROPRIETARY DATA, COMPANY CONFIDENTIAL  
ALL RIGHTS RESERVED

ALS BETRIEBSGEHEIMNIS ANVERTRAUT  
ALLE RECHTE VORBEHALTEN



C12	3C
C13	3C
X1	3B
X2	4B
X3	5A
X4	5A
X5	8A
X6	8C
X7	5C

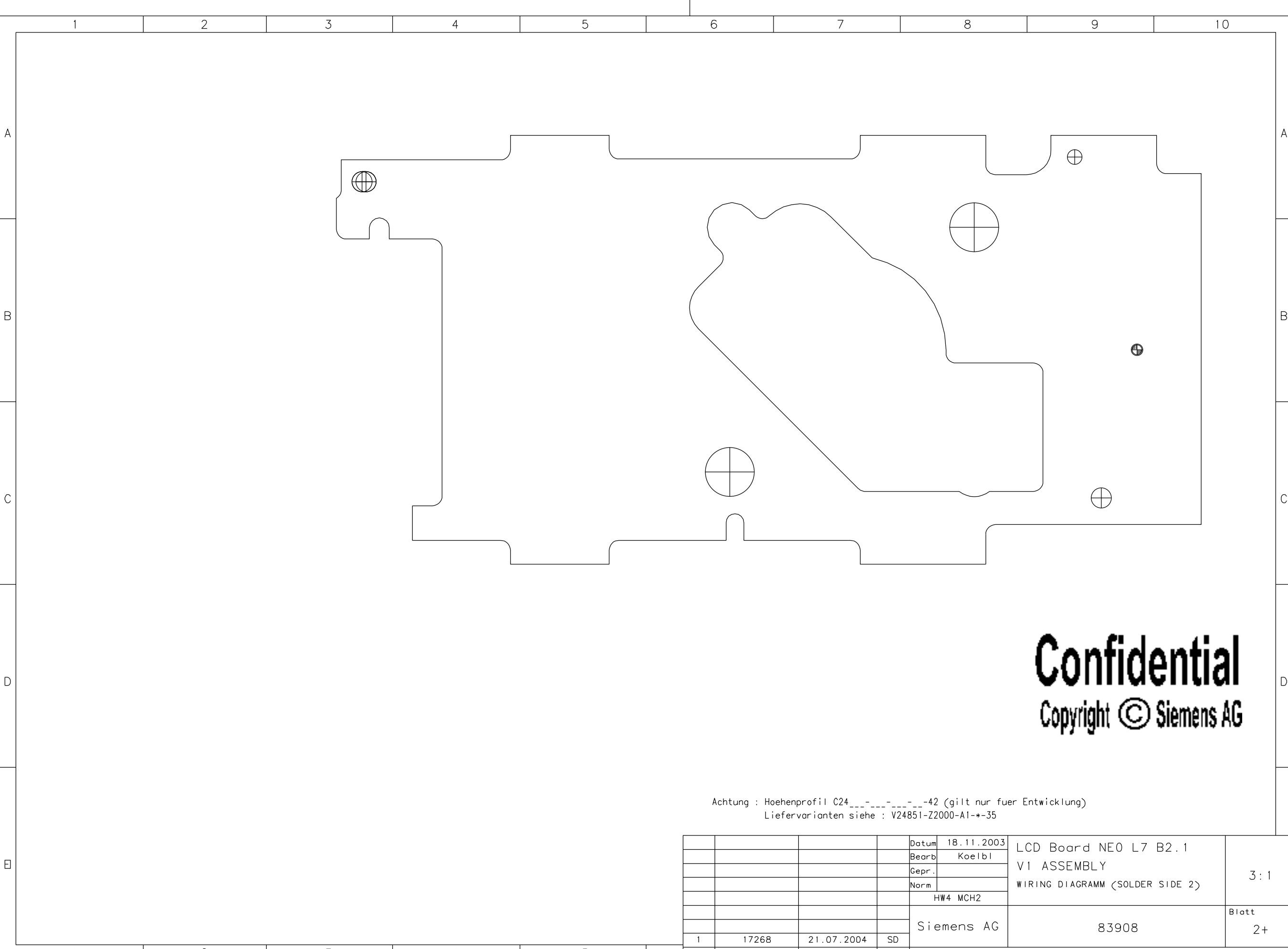
**Confidential**  
Copyright © Siemens AG

Achtung : Höhenprofil C24\_...\_...\_42 (gilt nur fuer Entwicklung)  
Liefervarianten siehe : V24851-Z2000-A1-\*--35

				Datum	18.11.2003	LCD Board NE0 L7 B2.1 V1 ASSEMBLY WIRING DIAGRAMM (SOLDER SIDE 1)	3:1
				Bearb	Koelbl		
				Gepr.			
				Norm	HW4 MCH2		
				Siemens AG		83908	Blatt 1+
1	17268	21.07.2004	SD				
Zust.	Mitteilung	Datum	Name	( Created by BOM number: A5B00900157991-17268 )			

PROPRIETARY DATA, COMPANY CONFIDENTIAL  
ALL RIGHTS RESERVED

ALS BETRIEBSGEHEIMNIS ANVERTRAUT  
ALLE RECHTE VORBEHALTEN



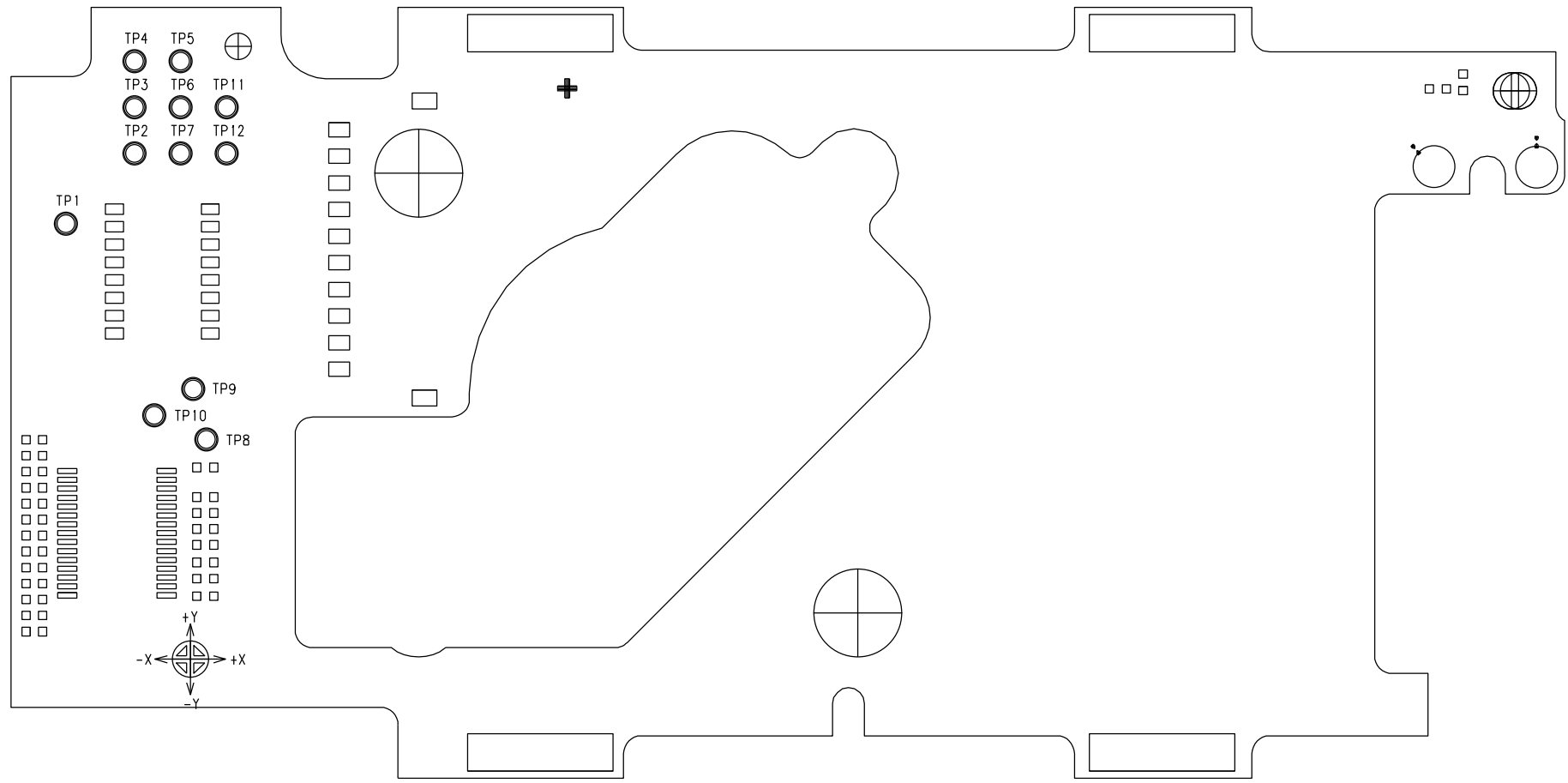
**Confidential**  
Copyright © Siemens AG

Achtung : Höhenprofil C24\_...\_...\_42 (gilt nur fuer Entwicklung)  
Liefervarianten siehe : V24851-Z2000-A1-\*35

				Datum	18.11.2003	LCD Board NEO L7 B2.1 V1 ASSEMBLY WIRING DIAGRAMM (SOLDER SIDE 2)	3:1
				Bearb	Koelbl		
				Gepr.			
				Norm	HW4 MCH2		
				Siemens AG		83908	Blatt 2+
1	17268	21.07.2004	SD	( Created by BOM number: A5B00900157991-17268 )			
Zust.	Mitteilung	Datum	Name				

PROPRIETARY DATA, COMPANY CONFIDENTIAL  
ALL RIGHTS RESERVED

ALS BETRIEBSGEGHEIMNIS ANVERTRAUT  
ALLE RECHTE VORBEHALTEN



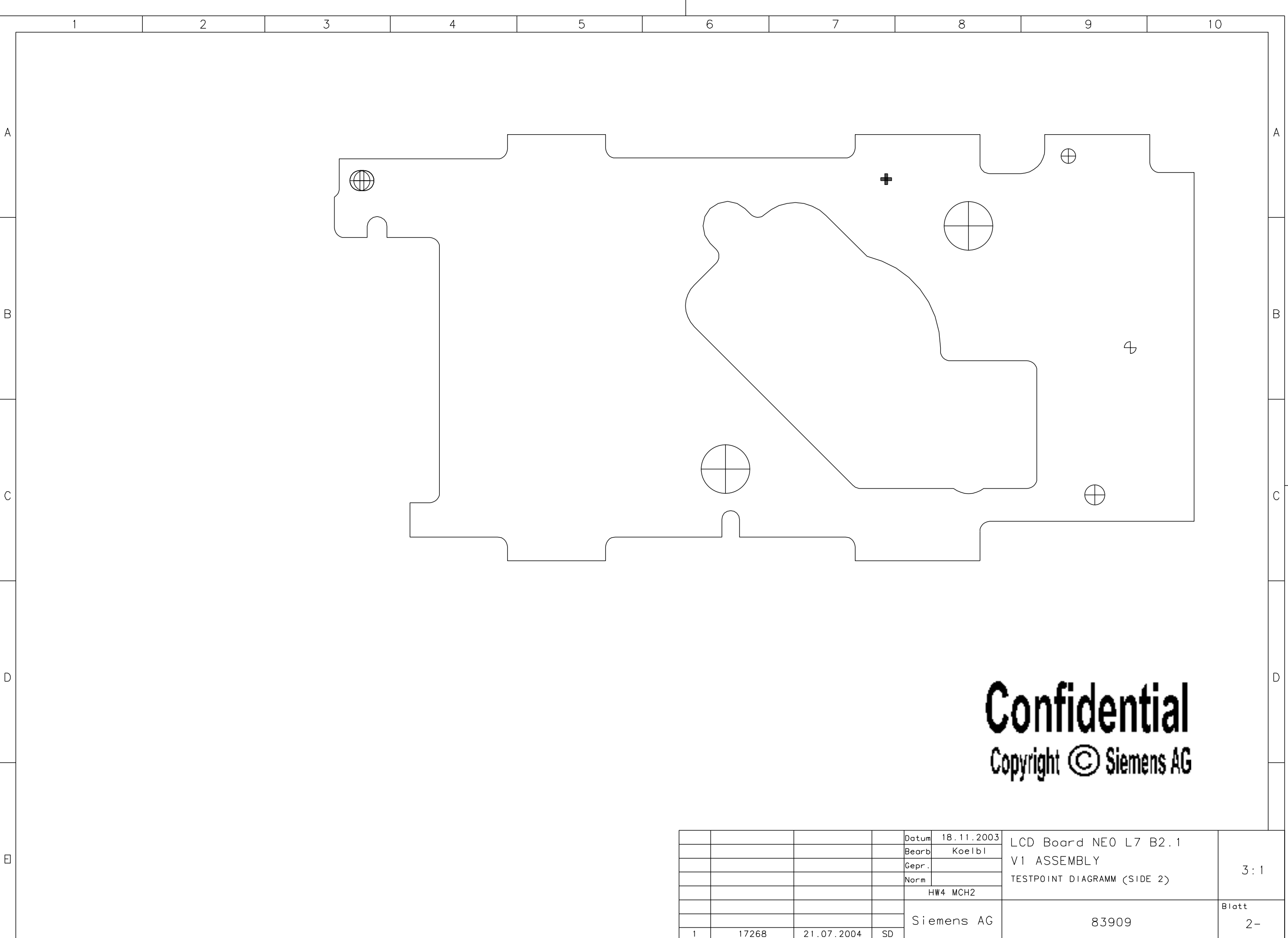
TP1	3B
TP2	4A
TP3	4A
TP4	4A
TP5	4A
TP6	4A
TP7	4A
TP8	4B
TP9	4B
TP10	4B
TP11	4A
TP12	4A

**Confidential**  
Copyright © Siemens AG

				Datum	18.11.2003	LCD Board NEO L7 B2.1 V1 ASSEMBLY TESTPOINT DIAGRAMM (SIDE 1)	3:1
				Bearb.	Koelbl		
				Gepr.			
				Norm	HW4 MCH2		
				Siemens AG		83909	Blatt 1+
1	17268	21.07.2004	SD				
Zust.	Mitteilung	Datum	Name	( Created by BOM number: A5B00900157991-17268 )			

PROPRIETARY DATA, COMPANY CONFIDENTIAL  
ALL RIGHTS RESERVED

ALS BETRIEBSGEHEIMNIS ANVERTRAUT  
ALLE RECHTE VORBEHALTEN

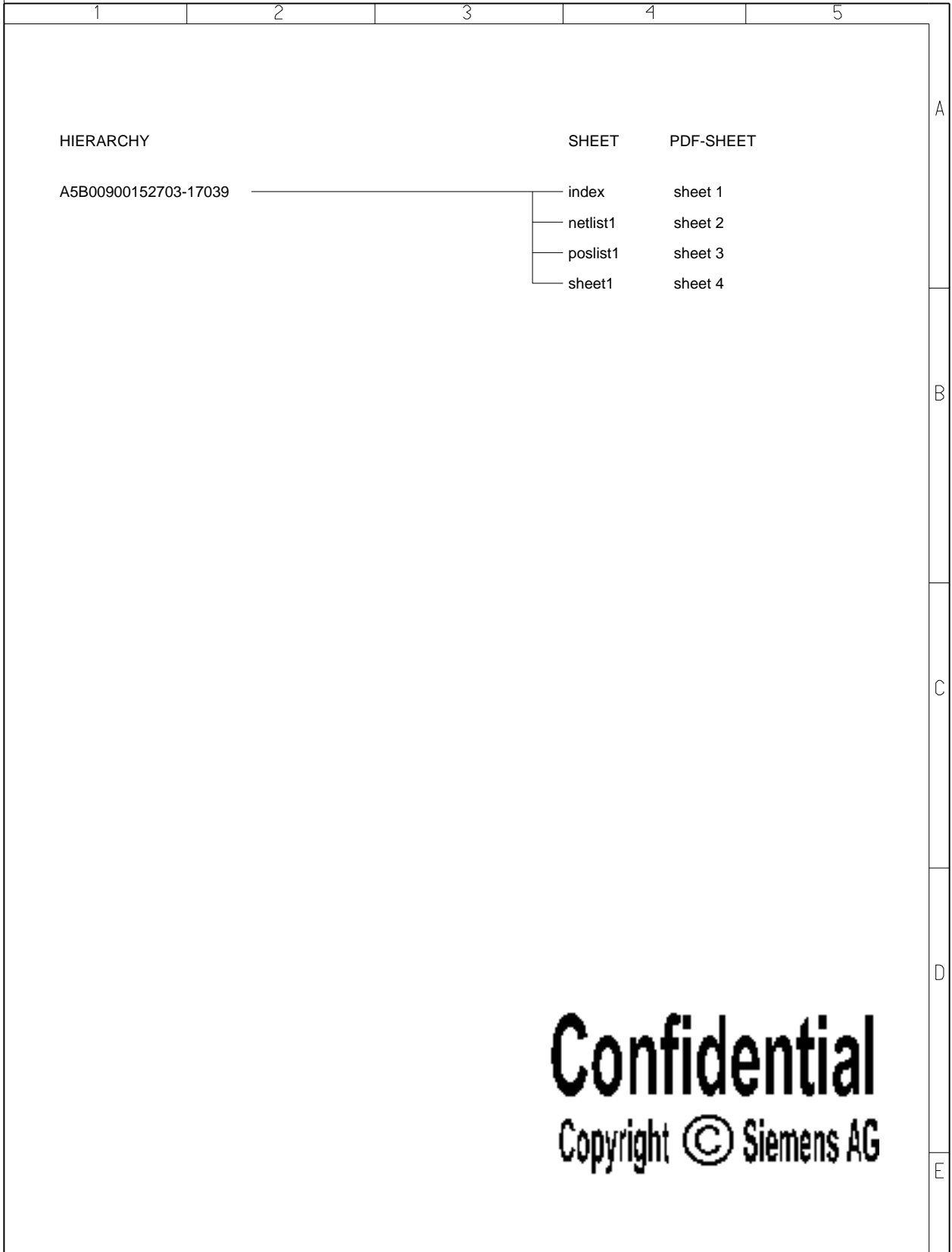


**Confidential**  
Copyright © Siemens AG

				Datum	18.11.2003	LCD Board NEO L7 B2.1 V1 ASSEMBLY TESTPOINT DIAGRAMM (SIDE 2)	3:1
				Bearb	Koelbl		
				Gepr.			
				Norm	HW4 MCH2		
				Siemens AG		83909	Blatt 2-
1	17268	21.07.2004	SD	( Created by BOM number: A5B00900157991-17268 )			
Zust.	Mitteilung	Datum	Name				

Proprietary data, company confidential.  
All rights reserved

Als Betriebsgeheimnis anvertraut  
Alle Rechte vorbehalten



**Confidential**  
Copyright © Siemens AG

				DATE	16.01.2004	MMI Board NEO F7 V1 ASSEMBLY TOP HIERARCHY LEVEL SCHEMATIC	1:1
				USER	Schupfer		
				APPR'D			
				HW4 MCH1			
2	17039	15.07.2004	SD	Siemens AG		76084	index
1	15303	24.05.2004	SD				
VERS.	CHANGE NUMBER	DATE	NAME	( Created by BOM number: A5B00900152704-17039 )			

Proprietary data, company confidential.  
All rights reserved

Als Betriebsgeheimnis anvertraut  
Alle Rechte vorbehalten

1	2	3	4	5
<p>KB_ON /sheet1 5 D /sheet1 2 C</p> <p>LIGHT_KEY /sheet1 2 C /sheet1 1 A</p> <p>PX_IN0 /sheet1 5 C /sheet1 2 C</p> <p>PX_IN1 /sheet1 5 C /sheet1 2 C</p> <p>PX_IN2 /sheet1 5 B /sheet1 2 C</p> <p>PX_IN3 /sheet1 5 A /sheet1 2 C</p> <p>PX_IN4 /sheet1 8 C /sheet1 2 C</p> <p>PX_IN5 /sheet1 8 B /sheet1 2 C</p> <p>PX_IN6 /sheet1 8 A /sheet1 2 C</p> <p>PX_OUT5 /sheet1 5 C /sheet1 9 C /sheet1 2 C</p> <p>PX_OUT6 /sheet1 6 C /sheet1 9 C /sheet1 2 C</p> <p>PX_OUT7 /sheet1 6 C /sheet1 10 C /sheet1 2 C</p> <p>VBOOST /sheet1 2 B /sheet1 4 A</p>				
<h1>Confidential</h1> <p>Copyright © Siemens AG</p>				

				DATE	16.01.2004	MMI Board NEO F7 V1 ASSEMBLY TOP HIERARCHY LEVEL SCHEMATIC	1:1
				USER	Schupfer		
				APPR'D			
				HW4 MCH1			
2	17039	15.07.2004	SD	Siemens AG		76084	netlist1
1	15303	24.05.2004	SD				
VERS.	CHANGE NUMBER	DATE	NAME	( Created by BOM number: A5B00900152704-17039 )			

Proprietary data, company confidential.  
All rights reserved

Als Betriebsgeheimnis anvertraut  
Alle Rechte vorbehalten

	1	2	3	4	5	
	<p>R1 /sheet1 3 A  R3 /sheet1 3 B  TP7 /sheet1 2 B  TP3 /sheet1 2 A  TP4 /sheet1 1 A  TP2 /sheet1 3 A  TP6 /sheet1 3 B  TP1 /sheet1 3 A  V1 /sheet1 3 A  V2 /sheet1 2 A  V4 /sheet1 3 B  V5 /sheet1 2 A  V6 /sheet1 2 A  V8 /sheet1 2 B  V9 /sheet1 2 B  V10 /sheet1 2 B</p>					A
						B
						C
						D
						E

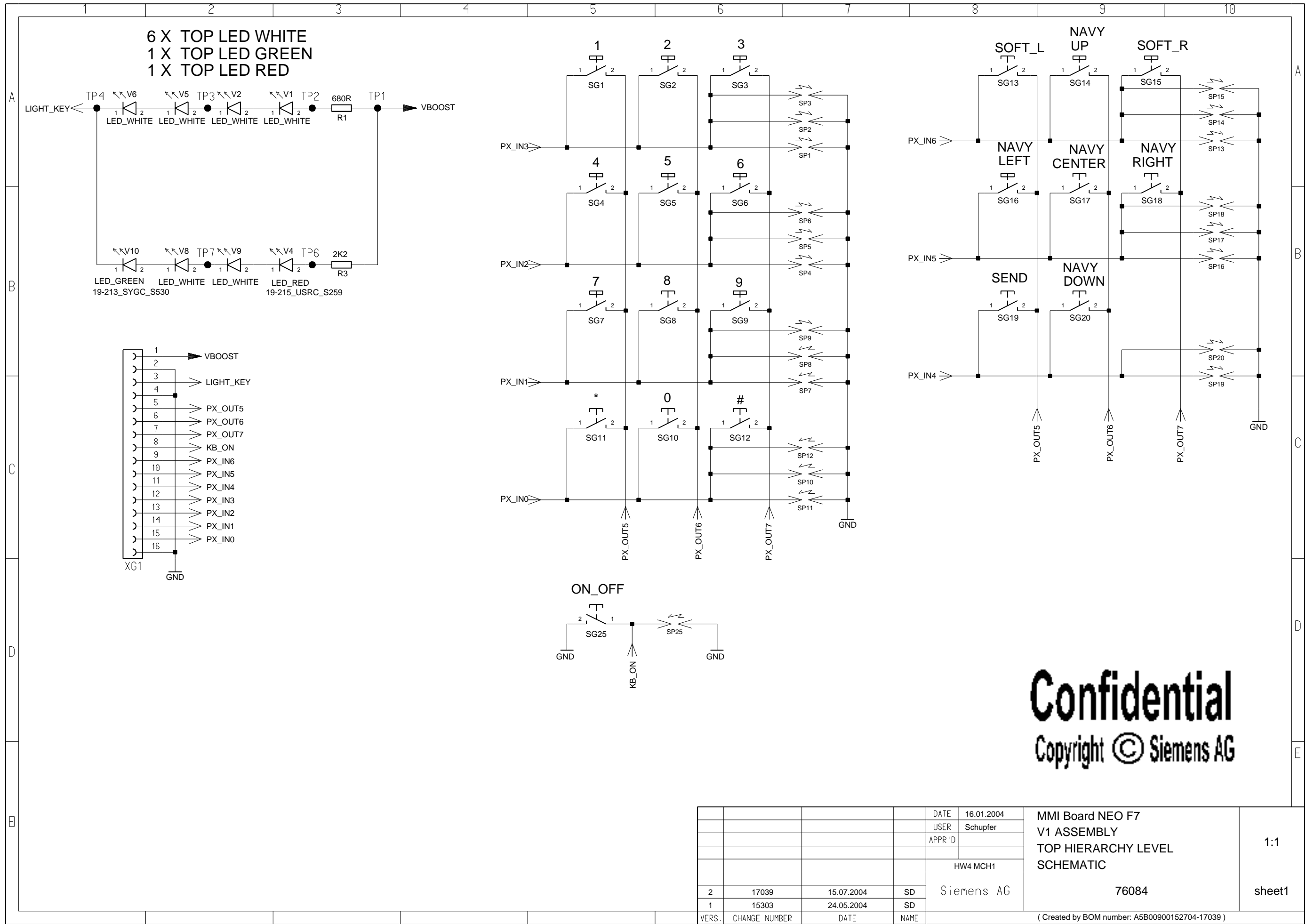
**Confidential**  
Copyright © Siemens AG

				DATE	16.01.2004	MMI Board NEO F7 V1 ASSEMBLY TOP HIERARCHY LEVEL SCHEMATIC	1:1
				USER	Schupfer		
				APPR'D			
				HW4 MCH1			
2	17039	15.07.2004	SD	Siemens AG		76084	poslist1
1	15303	24.05.2004	SD				
VERS.	CHANGE NUMBER	DATE	NAME	( Created by BOM number: A5B00900152704-17039 )			



Proprietary data, company confidential.  
 All rights reserved

Als Betriebsgeheimnis anvertraut  
 Alle Rechte vorbehalten



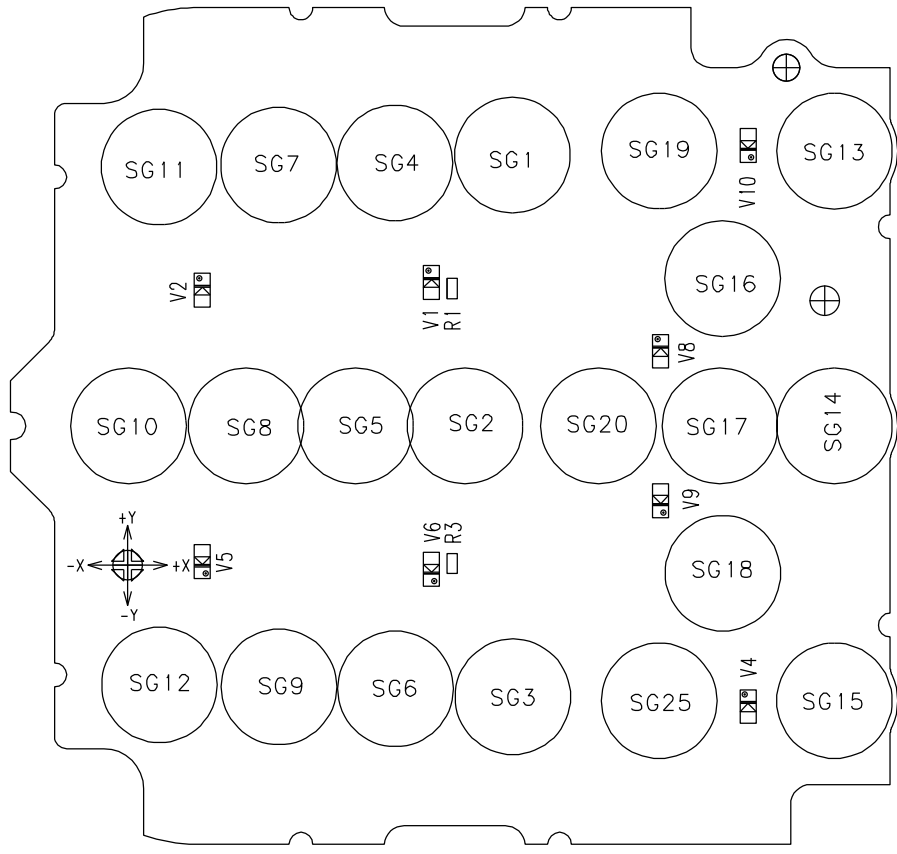
**Confidential**  
 Copyright © Siemens AG

DATE	16.01.2004	MMI Board NEO F7		1:1	
USER	Schupfer	V1 ASSEMBLY			
APPR'D		TOP HIERARCHY LEVEL			
		SCHEMATIC			
HW4 MCH1				sheet1	
2	17039	15.07.2004	SD		76084
1	15303	24.05.2004	SD		
VERS.	CHANGE NUMBER	DATE	NAME	( Created by BOM number: A5B00900152704-17039 )	

PROPRIETARY DATA, COMPANY CONFIDENTIAL  
ALL RIGHTS RESERVED

ALS BETRIEBSGEHEIMNIS ANVERTRAUT  
ALLE RECHTE VORBEHALTEN

1 2 3 4 5



R1	3A
R3	3B
V1	3A
V2	2A
V4	4B
V5	2B
V6	3B
V8	4A
V9	4B
V10	4A

**Confidential**  
Copyright © Siemens AG

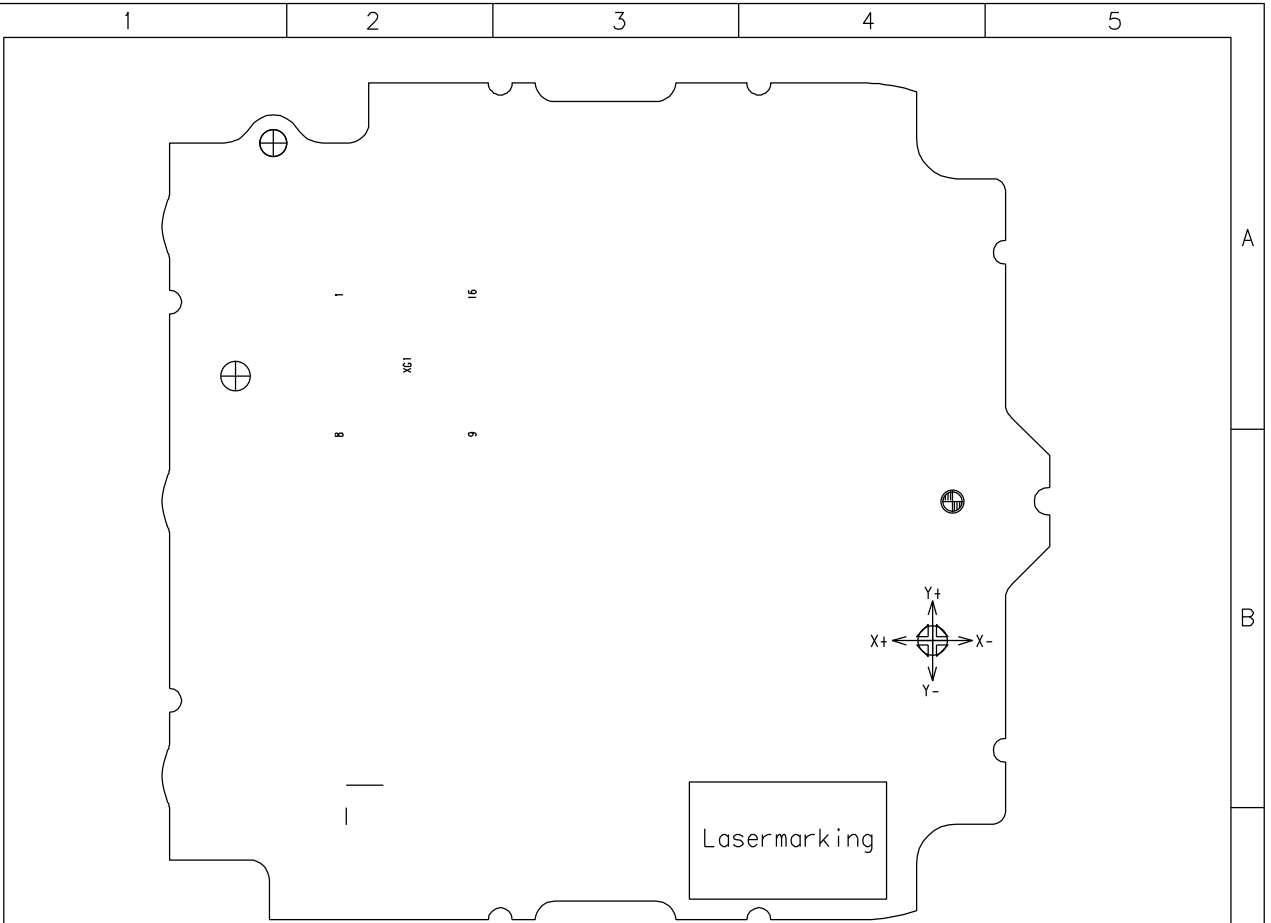
Achtung : Höhenprofil C24\_...-...-...-42 (gilt nur fuer Entwicklung)  
Liefervarianten siehe : V24851-Z2000-A1-\*35

				Datum	16.01.2004	MMI Board NEO F7 V1 ASSEMBLY WIRING DIAGRAM (SOLDER SIDE 1)	3:1
				Bearb	Schupfer		
				Gepf.			
				Norm			
				HW4 MCH1			
				Siemens AG		76085	Blatt 1+
1	15303	24.05.2004	SD				
Zust.	Mitteilung	Datum	Name	( Created by BOM number: A5B00900152704-15303 )			

A  
B  
D  
E

PROPRIETARY DATA, COMPANY CONFIDENTIAL  
ALL RIGHTS RESERVED

ALS BETRIEBSGEHEIMNIS ANVERTRAUT  
ALLE RECHTE VORBEHALTEN



**Confidential**  
Copyright © Siemens AG

Achtung : Höhenprofil C24\_\_\_\_-\_\_\_\_-\_\_\_\_-42 (gilt nur fuer Entwicklung)  
Liefervarianten siehe : V24851-Z2000-A1-\*-35

				Datum	16.01.2004	MMI Board NEO F7 V1 ASSEMBLY WIRING DIAGRAM (SOLDER SIDE 2)	3 : 1
				Bearb	Schupfer		
				Gepr.			
				Norm			
				HW4 MCH1			
				Siemens AG		76085	Blatt 2+
1	15303	24.05.2004	SD				
Zust.	Mitteilung	Datum	Name	( Created by BOM number: A5B00900152704-15303 )			