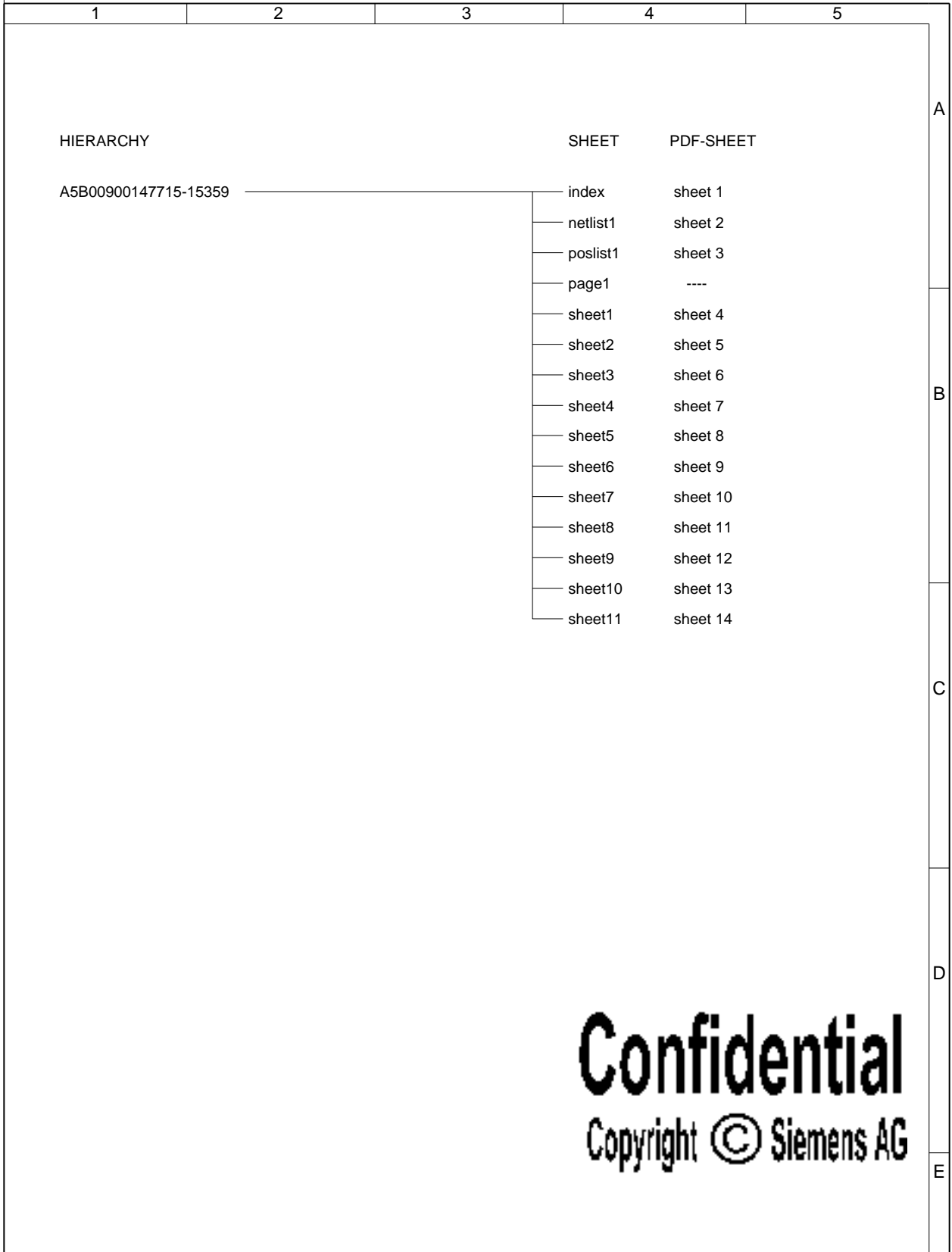


Proprietary data, company confidential.  
All rights reserved

Als Betriebsgeheimnis anvertraut  
Alle Rechte vorbehalten



**Confidential**  
Copyright © Siemens AG

				DATE	07.08.2003	R65 IRIS V1 B2 LAYOUT HIT TOP HIERARCHY LEVEL SCHEMATIC	1:1
				USER	Metz		
				APPR'D			
				MP PD HW4 MCH2			
3	16001	18.06.2004	WDM	Siemens AG		69754	index
2	15359	26.05.2004	WDM				
1	13589	30.04.2004	WDM				
VERS.	CHANGE NUMBER	DATE	NAME	( Created by BOM number: A5B00900147716-16001 )			

Proprietary data, company confidential.  
All rights reserved

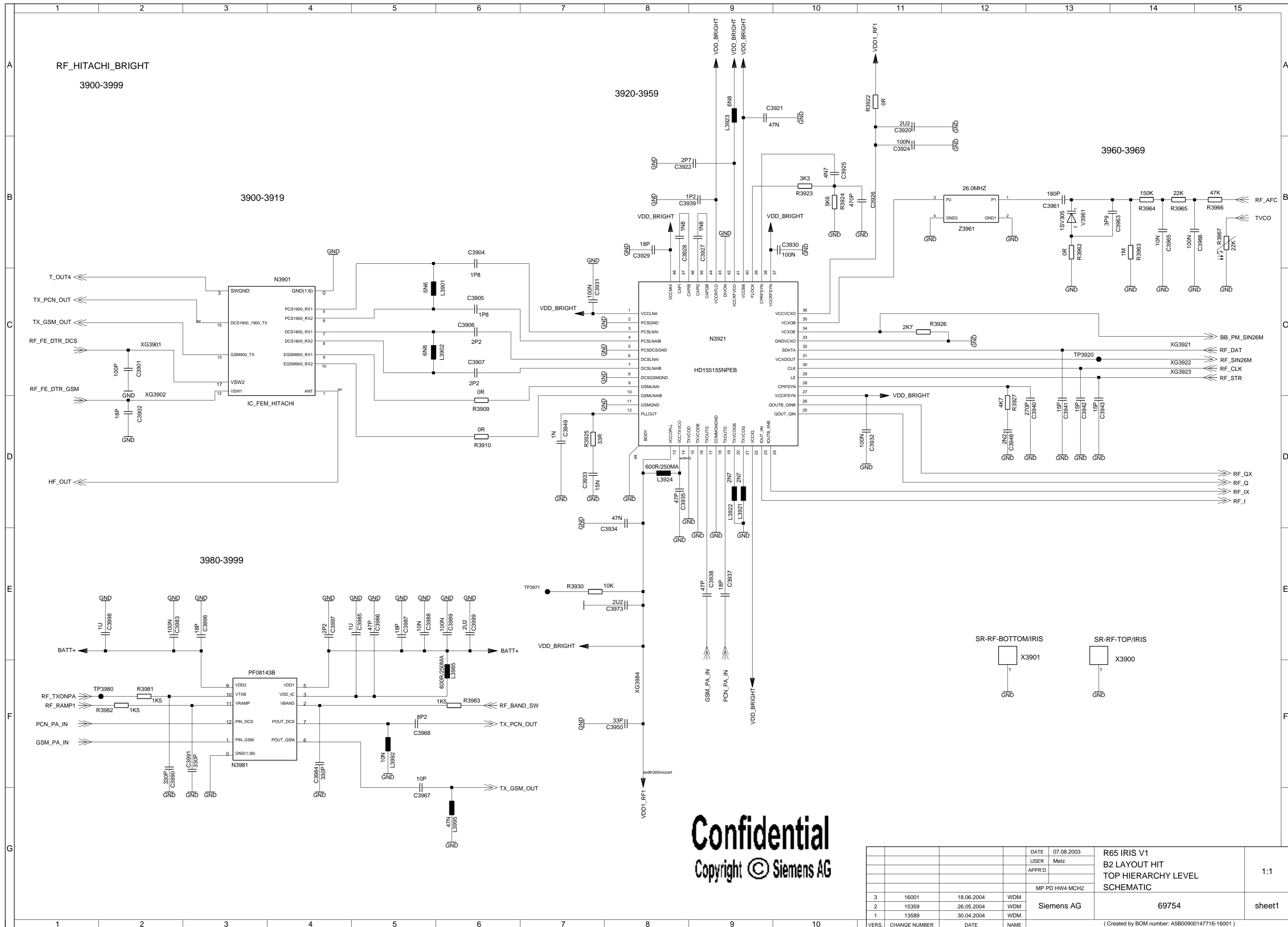
Als Betriebsgeheimnis anvertraut  
Alle Rechte vorbehalten

	1	2	3	4	5	6	7	8	9	10		
A	1.5V_DSP /sheet6 7 C /sheet7 9 B	AC_RTS /sheet5 13 E /sheet8 15 F	/sheet5 15 A CAMERA_CLK /sheet3 1 C /sheet3 13 C	CKE /sheet6 10 E /sheet5 7 G	/sheet3 15 D /sheet3 6 F /sheet3 13 C	/sheet5 13 E /sheet4 2 F /sheet4 11 A /sheet7 6 D	PIXEL_DATA5 /sheet3 3 C /sheet3 13 B	/sheet5 13 D /sheet7 4 F	/sheet1 15 D /sheet7 2 C /sheet7 7 G /sheet7 11 C	/sheet4 2 E /sheet4 5 E /sheet7 11 D /sheet11 1 E	/sheet7 3 E WAIT /sheet6 13 B /sheet5 6 G	
B	1.5V_UC /sheet6 7 D /sheet6 2 C /sheet7 9 B	AC_RX /sheet5 13 E /sheet8 15 F	CAMERA_DATA_CLK /sheet3 3 D /sheet3 13 B	CLK32 /sheet3 7 E /sheet5 5 B	FLASH_EN /sheet5 13 F /sheet8 8 F	LIGHT_PWM2 /sheet4 2 F /sheet4 12 D /sheet4 5 F /sheet4 11 C /sheet7 6 D	PIXEL_DATA6 /sheet3 3 C /sheet3 13 C	PM_WADOG /sheet5 5 B /sheet7 3 D	RF_Q /sheet4 2 B /sheet4 5 B /sheet5 8 B /sheet1 15 D	/sheet7 6 F /sheet7 3 C /sheet7 10 C /sheet7 2 C /sheet7 11 C	VBOOST_FB /sheet7 3 C /sheet7 10 D VBUCK /sheet7 11 C /sheet7 2 B	WR /sheet6 12 D /sheet6 12 A /sheet5 7 G
C	1.8V_CIF /sheet3 3 E /sheet3 6 D /sheet3 3 E /sheet3 2 A /sheet3 3 A /sheet7 8 A	AC_TX /sheet5 13 E /sheet8 15 F	CAMERA_HSYNC /sheet3 3 C /sheet3 13 C	CS_FLASH /sheet6 12 A /sheet5 7 G	FLASH_RESET /sheet6 12 A /sheet5 3 E	KB_ON_OFF /sheet4 2 E /sheet4 5 E /sheet4 12 E /sheet7 2 C	PIXEL_DATA7 /sheet3 3 C /sheet3 13 C	POWER /sheet8 9 E /sheet7 8 F	RF_QX /sheet4 5 B /sheet4 2 B /sheet5 8 B /sheet1 15 D	STEPUP_GND /sheet7 11 E /sheet7 9 E /sheet7 10 E	VBUCK /sheet7 11 C /sheet7 2 B VBUCK_FB /sheet7 10 C /sheet7 3 C	
D	1.8V_MEM1 /sheet6 13 F /sheet6 4 B /sheet6 7 E /sheet6 14 F /sheet4 2 E /sheet4 5 E /sheet4 12 F /sheet5 6 A /sheet7 9 B	ADV /sheet6 12 A /sheet5 6 G	CAMERA_I2C_CLK /sheet3 8 E /sheet3 13 C	CS_SDRAM /sheet6 12 D /sheet5 7 G	GND_MIC /sheet9 3 G /sheet8 9 E /sheet7 7 G /sheet7 12 C	KP_IN0 /sheet4 5 E /sheet4 12 E /sheet5 5 G /sheet11 7 D	PM_I2S_ADC /sheet5 13 C /sheet7 7 F	RD /sheet6 12 A /sheet5 7 G	RF_RAMP1 /sheet4 2 C /sheet4 5 C /sheet5 7 A /sheet1 1 F	STEREO1_OUT /sheet8 9 E /sheet7 6 E	VBUCK_LX /sheet7 6 C /sheet7 10 C VCXOEN_UC /sheet5 1 F /sheet7 3 D	
E	1.8V_MEM2 /sheet6 12 B /sheet6 8 A /sheet6 9 B /sheet6 11 A /sheet7 9 B /sheet7 7 D	AKKU_TYP /sheet5 9 B /sheet8 3 B	CAMERA_VSYNC /sheet3 3 C /sheet3 13 B /sheet3 1 D	CS_SDRAM /sheet6 12 D /sheet5 7 G	GSM_PA_IN /sheet1 1 F /sheet1 9 F	KP_IN1 /sheet4 2 E /sheet4 5 E /sheet4 12 E /sheet5 5 G /sheet11 7 D	MIC1A /sheet9 4 G /sheet7 2 E /sheet7 11 B	REF_GND /sheet7 6 G /sheet7 2 B	RF_SIN26M /sheet4 2 C /sheet4 5 C /sheet5 1 E /sheet1 15 C	STEREO2_OUT /sheet8 9 E /sheet7 6 E	VDD1_RF1 /sheet7 6 C /sheet7 10 C VDD1_RF1 /sheet1 11 A /sheet1 8 F /sheet7 9 C	
	2.65V /sheet6 2 C /sheet6 7 D /sheet6 4 B /sheet6 4 B /sheet6 5 B /sheet4 2 E /sheet4 5 E /sheet4 9 B /sheet5 4 G /sheet5 4 F /sheet5 4 G /sheet5 15 D /sheet5 4 G /sheet5 4 F /sheet5 4 G /page1 2 B /sheet9 13 A /sheet8 10 G /sheet8 14 E /sheet7 9 B /sheet7 3 D	BATT+ /sheet4 2 G /sheet4 5 G /sheet4 5 G /sheet4 2 G /sheet3 11 D /sheet5 15 B /sheet1 6 E /sheet1 1 E /sheet9 4 B /sheet8 12 D /sheet8 12 D /sheet8 4 B /sheet7 2 F /sheet7 9 D /sheet7 1 B /sheet7 3 E /sheet7 11 F /sheet7 1 B	CAM_SENSOR_PD /sheet3 10 D /sheet3 7 E	DB_RTCK /sheet5 3 D	HF_OUT /sheet2 4 C /sheet1 1 D	KP_IN2 /sheet4 5 F /sheet4 2 F /sheet4 12 E /sheet5 5 G /sheet11 7 C	MICEA /sheet8 9 E /sheet7 2 E /sheet7 12 B	PM_I2S_WA0 /sheet5 13 C /sheet7 3 F /sheet7 7 F	RF_ANT_DET /sheet4 2 D /sheet4 5 D /sheet7 7 D /sheet5 6 B	TX /sheet8 12 F /sheet8 11 E /sheet8 9 E	VDD_AFC /sheet6 4 B /sheet7 8 C VDD_BRIGHT /sheet2 9 D /sheet1 9 A /sheet1 9 A /sheet1 7 E /sheet1 11 D /sheet1 9 F /sheet1 8 B /sheet1 7 C /sheet1 9 A /sheet1 9 B	
	2.9V /sheet6 2 B /sheet4 12 D /sheet4 2 E /sheet4 5 E /sheet3 8 C /sheet7 9 B	BATT+_F /sheet7 3 B /sheet7 2 B /sheet5 4 F /sheet5 4 G /sheet5 15 D /sheet5 4 G /sheet5 4 F /sheet5 4 G /page1 2 B /sheet9 13 A /sheet8 10 G /sheet8 14 E /sheet7 9 B /sheet7 3 D	CAS /sheet6 12 E /sheet5 6 G	DB_TDI /sheet5 3 C /page1 3 B	HW_DET_BAND_SEL /sheet5 2 G /sheet5 3 D	KP_IN3 /sheet4 2 F /sheet5 5 F /sheet4 12 E /sheet5 5 G /sheet11 7 C	MICEB /sheet7 2 E /sheet7 12 B	PM_ON_OFF /sheet7 6 C /sheet11 10 D	RF_BAND_SW /sheet4 2 D /sheet4 5 D /sheet5 6 B /sheet1 6 F	RTS /sheet8 12 F /sheet8 9 E	VDD_CHARGE /sheet7 3 D /sheet7 9 G VDD_RF1 /sheet4 5 D /sheet4 2 D /sheet5 6 B /sheet1 1 C	
	2.9V_CIF /sheet3 6 D /sheet3 8 C /sheet3 3 A /sheet3 3 A	BATT+_FILTER /sheet4 12 D /sheet4 11 B /sheet7 3 B	CHARGE_CNTRL /sheet7 10 H /sheet7 6 D	DB_TDO /sheet5 3 C	HW_DET_MOB_TYPE1 /sheet5 2 F /sheet5 3 D	KP_IN4 /sheet4 5 F /sheet4 2 F /sheet4 12 E /sheet5 3 F /sheet11 6 C	MONO1_LP_OUT /sheet7 4 E /sheet7 7 E	PM_RESET_1.8V /sheet6 12 B /sheet7 6 C	RF_CLK /sheet4 5 B /sheet4 2 B /sheet5 7 B /sheet1 15 C	RX /sheet8 12 F /sheet8 9 E	VDD_RTC /sheet6 2 B /sheet7 9 B /sheet7 2 C	
	A(0:24) /sheet6 10 D /sheet6 8 F /sheet5 12 G	BATT+_FILTER /sheet4 12 D /sheet4 11 B /sheet7 3 B	CHARGE_SOURCE /sheet7 10 H /sheet7 6 D	DB_TMS /sheet5 3 C /page1 3 B	HW_DET_MOB_TYPE2 /sheet5 2 F /sheet5 3 D	KP_OUT0 /sheet5 3 F /sheet11 6 B /sheet11 8 D	MONO2_LP_OUT /sheet7 4 E /sheet7 7 E	PM_RESET_N /sheet5 3 E /sheet7 7 C	RF_DAT /sheet4 5 B /sheet4 2 B /sheet5 7 B /sheet1 15 C	SDCLKI /sheet6 8 D /sheet5 6 G	VDD_SIM /sheet7 9 B /sheet10 8 E	
	AC_CTS /sheet5 13 E /sheet8 15 F	BATT+_FILTER /sheet4 12 D /sheet4 11 B /sheet7 3 B	CHARGE_SOURCE /sheet7 10 H /sheet7 6 D	DB_TMS /sheet5 3 C /page1 3 B	HW_DET_MOB_TYPE2 /sheet5 2 F /sheet5 3 D	KP_OUT1 /sheet5 3 F /sheet11 6 C /sheet11 8 D	MONO2_OUT /sheet4 2 F /sheet4 5 F /sheet4 12 E /sheet7 8 E	PM_RINGIN /sheet5 11 B /sheet7 3 E	RF_FE_DTR_DCS /sheet4 2 C /sheet4 5 C /sheet5 6 B /sheet1 1 C	SENSE_IN1 /sheet7 3 D /sheet7 11 F	VDD_USB /sheet6 2 C /sheet8 13 E /sheet7 9 B	
	AC_DCD /sheet5 5 B /sheet8 15 F /sheet8 8 G	BATT+_FILTER /sheet4 12 D /sheet4 11 B /sheet7 3 B	CHARGE_SOURCE /sheet7 10 H /sheet7 6 D	DB_TMS /sheet5 3 C /page1 3 B	HW_DET_MOB_TYPE2 /sheet5 2 F /sheet5 3 D	KP_OUT2 /sheet5 3 E /sheet11 6 C /sheet11 9 D	PCN_PA_IN /sheet1 1 F /sheet1 9 F	PM_SSC_CS /sheet5 6 B /sheet7 4 F	RF_FE_DTR_GSM /sheet4 2 C /sheet5 6 B /sheet1 1 D	SIM_CLK /sheet5 11 B /sheet10 8 E	VDD_VIBRA /sheet9 2 C /sheet7 9 B	
		BATT+_FILTER /sheet4 12 D /sheet4 11 B /sheet7 3 B	CHARGE_SOURCE /sheet7 10 H /sheet7 6 D	DB_TMS /sheet5 3 C /page1 3 B	HW_DET_MOB_TYPE2 /sheet5 2 F /sheet5 3 D	KP_OUT3 /sheet4 2 F /sheet4 5 F /sheet4 12 E /sheet5 3 E	PIXEL_DATA0 /sheet3 3 C /sheet3 13 B	PM_SSC_MRST /sheet5 13 D /sheet7 6 F	RF_I /sheet4 2 B /sheet4 5 B /sheet5 8 B /sheet1 15 D	SIM_IO /sheet5 11 B /sheet10 8 E	VREFEX_GND /sheet7 4 G	
		BATT+_FILTER /sheet4 12 D /sheet4 11 B /sheet7 3 B	CHARGE_SOURCE /sheet7 10 H /sheet7 6 D	DB_TMS /sheet5 3 C /page1 3 B	HW_DET_MOB_TYPE2 /sheet5 2 F /sheet5 3 D	KP_OUT4 /sheet5 3 F /sheet11 6 B /sheet11 8 D	PIXEL_DATA1 /sheet3 3 C /sheet3 13 B	PM_SSC_MTSR /sheet5 13 D /sheet7 4 F	RF_IX /sheet4 2 B /sheet4 5 B /sheet5 8 B /sheet1 15 D	SIM_RST /sheet5 11 B /sheet10 8 E		
		BATT+_FILTER /sheet4 12 D /sheet4 11 B /sheet7 3 B	CHARGE_SOURCE /sheet7 10 H /sheet7 6 D	DB_TMS /sheet5 3 C /page1 3 B	HW_DET_MOB_TYPE2 /sheet5 2 F /sheet5 3 D	KP_OUT5 /sheet5 3 F /sheet11 6 B /sheet11 8 D	PIXEL_DATA2 /sheet3 3 C /sheet3 13 B	PM_SSC_SCLK /sheet5 13 D /sheet7 4 F	STEPDOWN_GND /sheet4 12 F			

**Confidential**  
Copyright © Siemens AG

DATE	07.08.2003	USER	Metz	APPR'D		MP PD HW4 MCH2	
3	16001	18.06.2004	WDM	Siemens AG	69754	netlist1	
2	15359	26.05.2004	WDM				
1	13589	30.04.2004	WDM				
VERS.	CHANGE NUMBER	DATE	NAME	( Created by BOM number: A5B00900147716-16001 )			



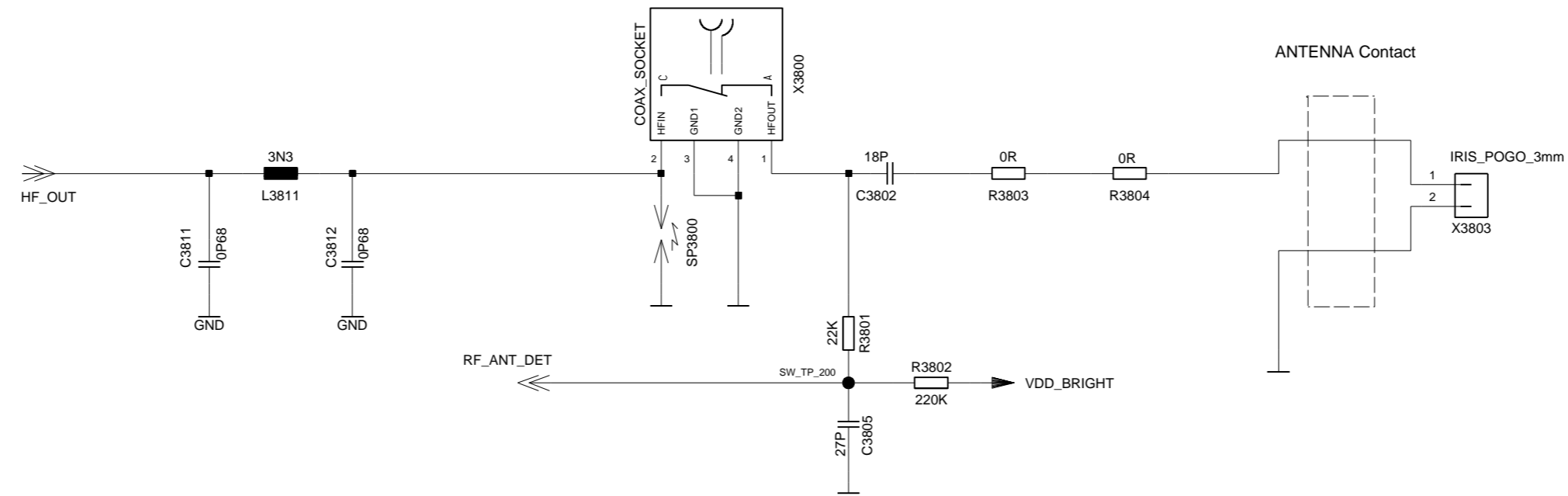


**Confidential**  
Copyright © Siemens AG

DATE	07.08.2003	R65 IRIS V1 B2 LAYOUT HIT TOP HIERARCHY LEVEL SCHEMATIC	1:1
USER	Metz		
APPR'D			
		MP PD HW4 MCH2	
3	16001	18.06.2004	WDM
2	15359	26.05.2004	WDM
1	13589	30.04.2004	WDM
VERS.	CHANGE NUMBER	DATE	NAME
			Siemens AG
			69754
			sheet1

( Created by BOM number: A5B00900147716-16001 )

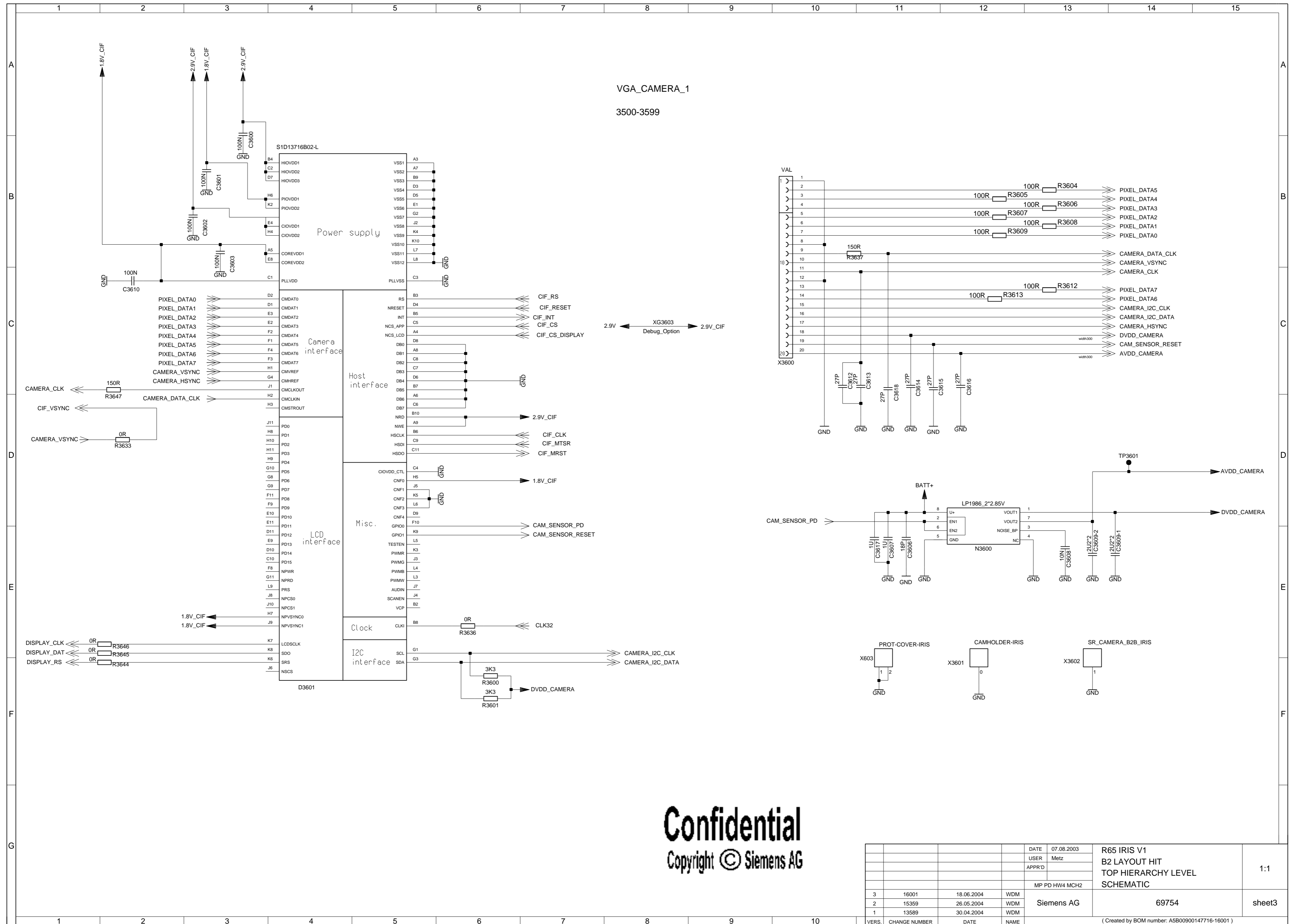
ANTENNA\_CIRCUIT  
3800-3849



**Confidential**  
Copyright © Siemens AG

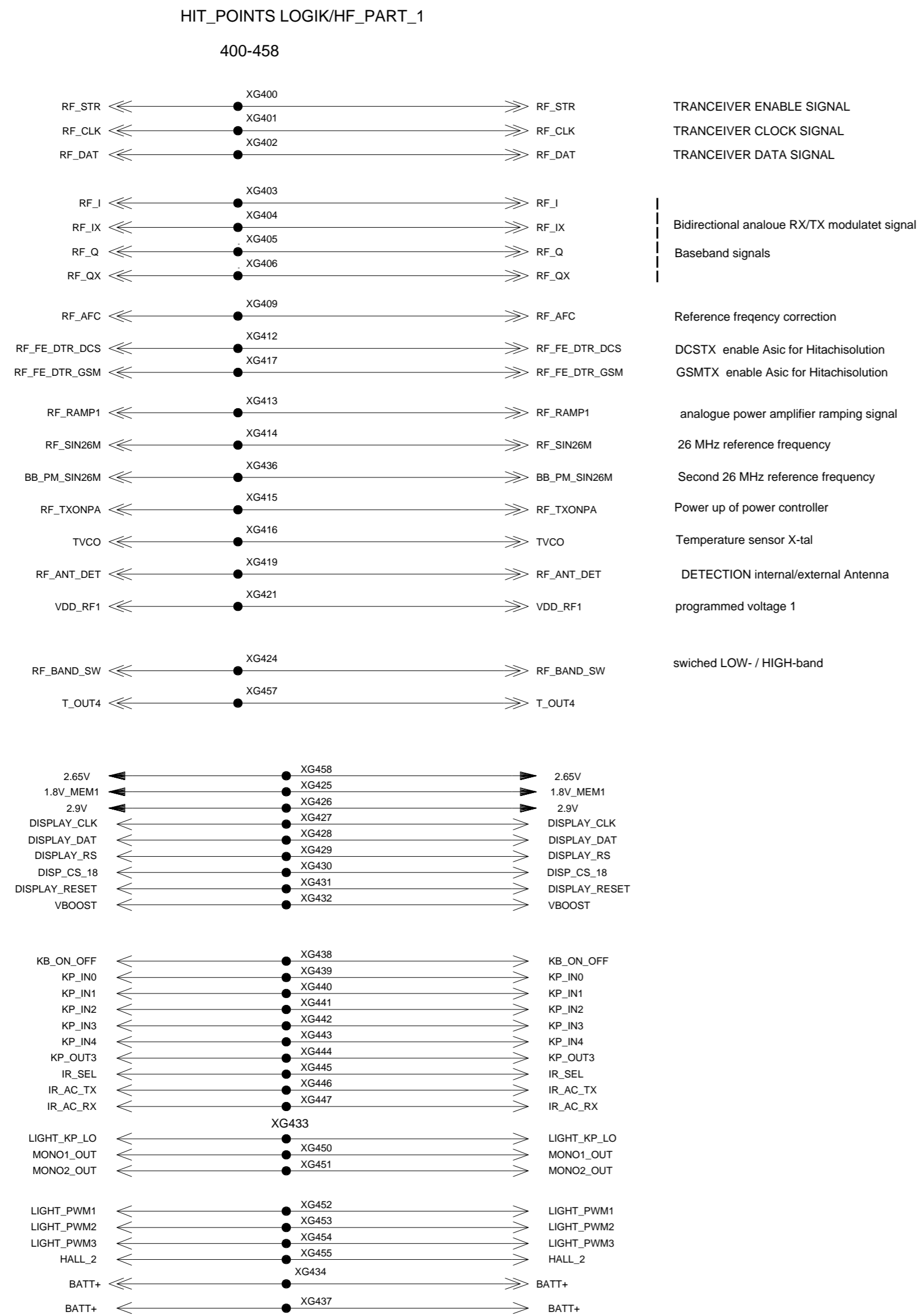
			DATE	07.08.2003	R65 IRIS V1 B2 LAYOUT HIT TOP HIERARCHY LEVEL SCHEMATIC	1:1
		USER	Metz			
		APPR'D				
				MP PD HW4 MCH2		
3	16001	18.06.2004	WDM			
2	15359	26.05.2004	WDM			
1	13589	30.04.2004	WDM	Siemens AG	69754	sheet2
VERS.	CHANGE NUMBER	DATE	NAME	( Created by BOM number: A5B00900147716-16001 )		

VGA\_CAMERA\_1  
3500-3599



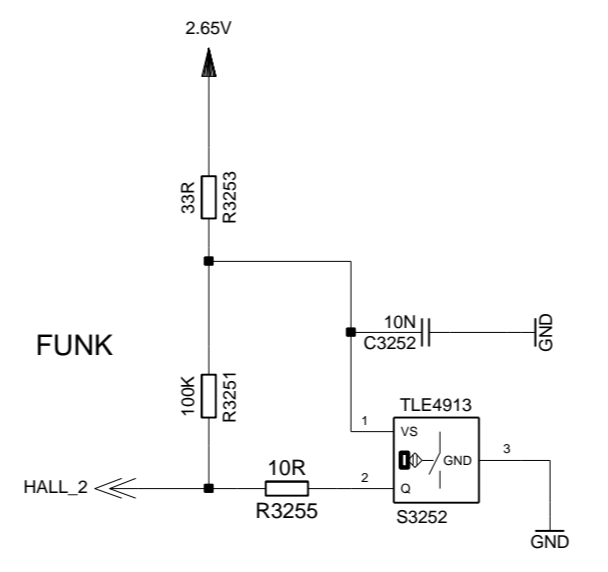
**Confidential**  
Copyright © Siemens AG

DATE	07.08.2003	R65 IRIS V1	
USER	Metz	B2 LAYOUT HIT	
APPR'D		TOP HIERARCHY LEVEL	
		SCHEMATIC	1:1
		MP PD HW4 MCH2	
3	16001	18.06.2004	WDM
2	15359	26.05.2004	WDM
1	13589	30.04.2004	WDM
Siemens AG		69754	sheet3
( Created by BOM number: A5B00900147716-16001 )			



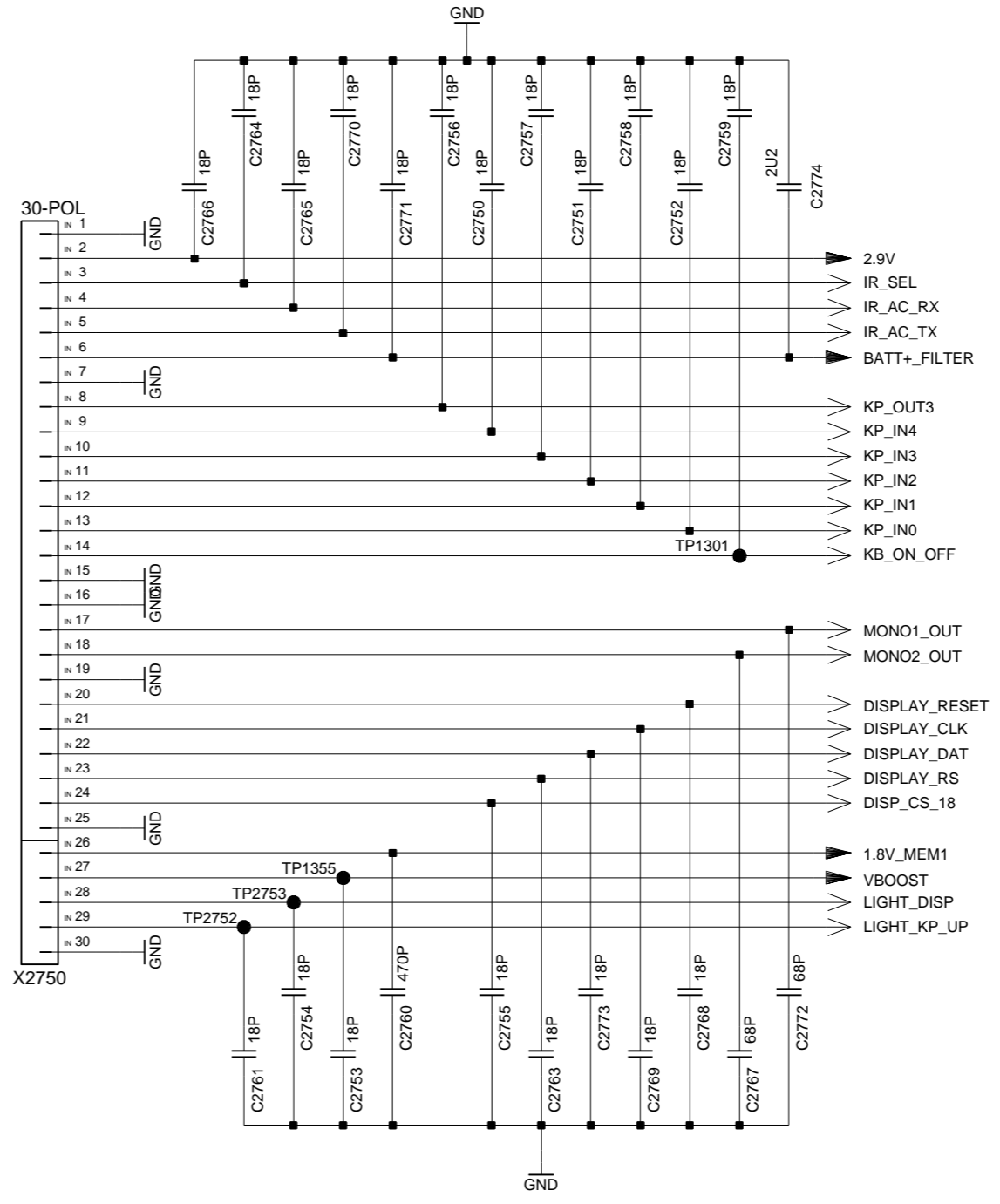
### OPEN\_CLOSE\_DETECTION\_SLIDER

3200-3299



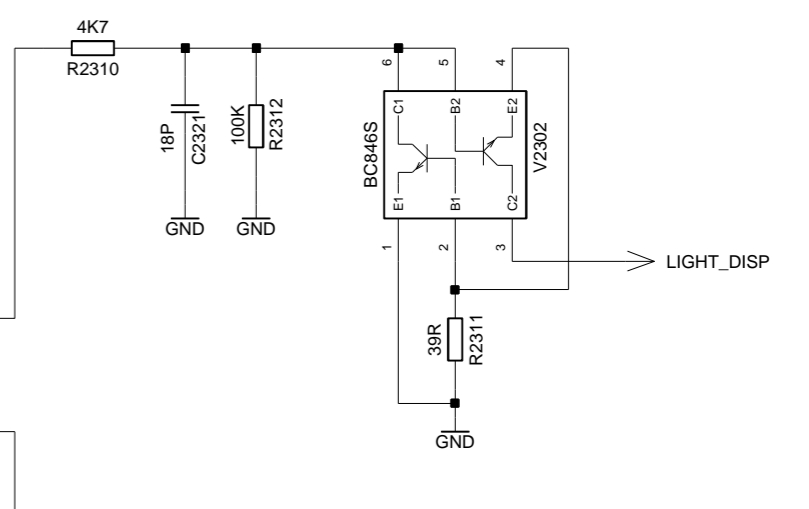
### MMI\_CONNECTOR

2750-2774

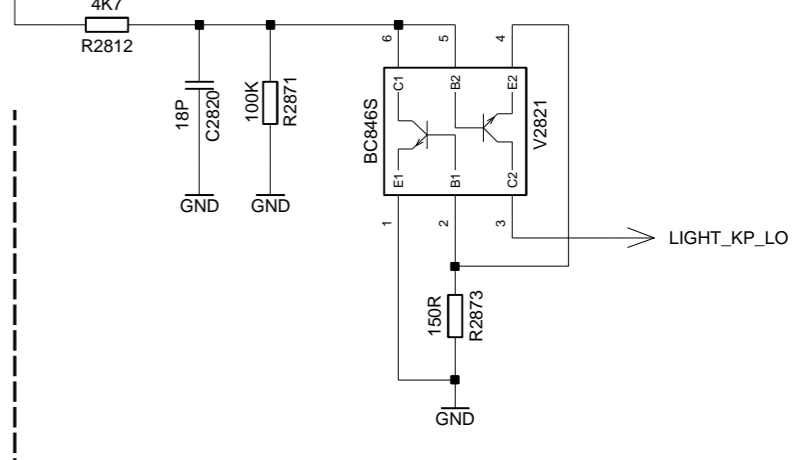


### 2300-2399

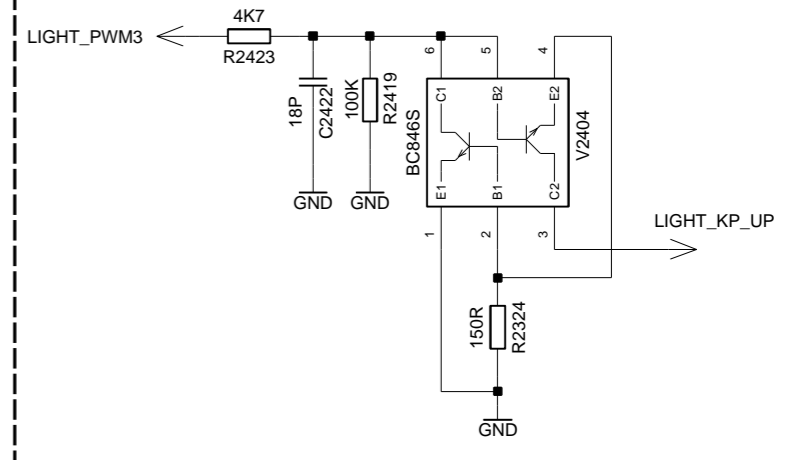
#### DISPLAY\_BACKLIGHT



#### KEYPAD\_BACKLIGHT\_LOWER



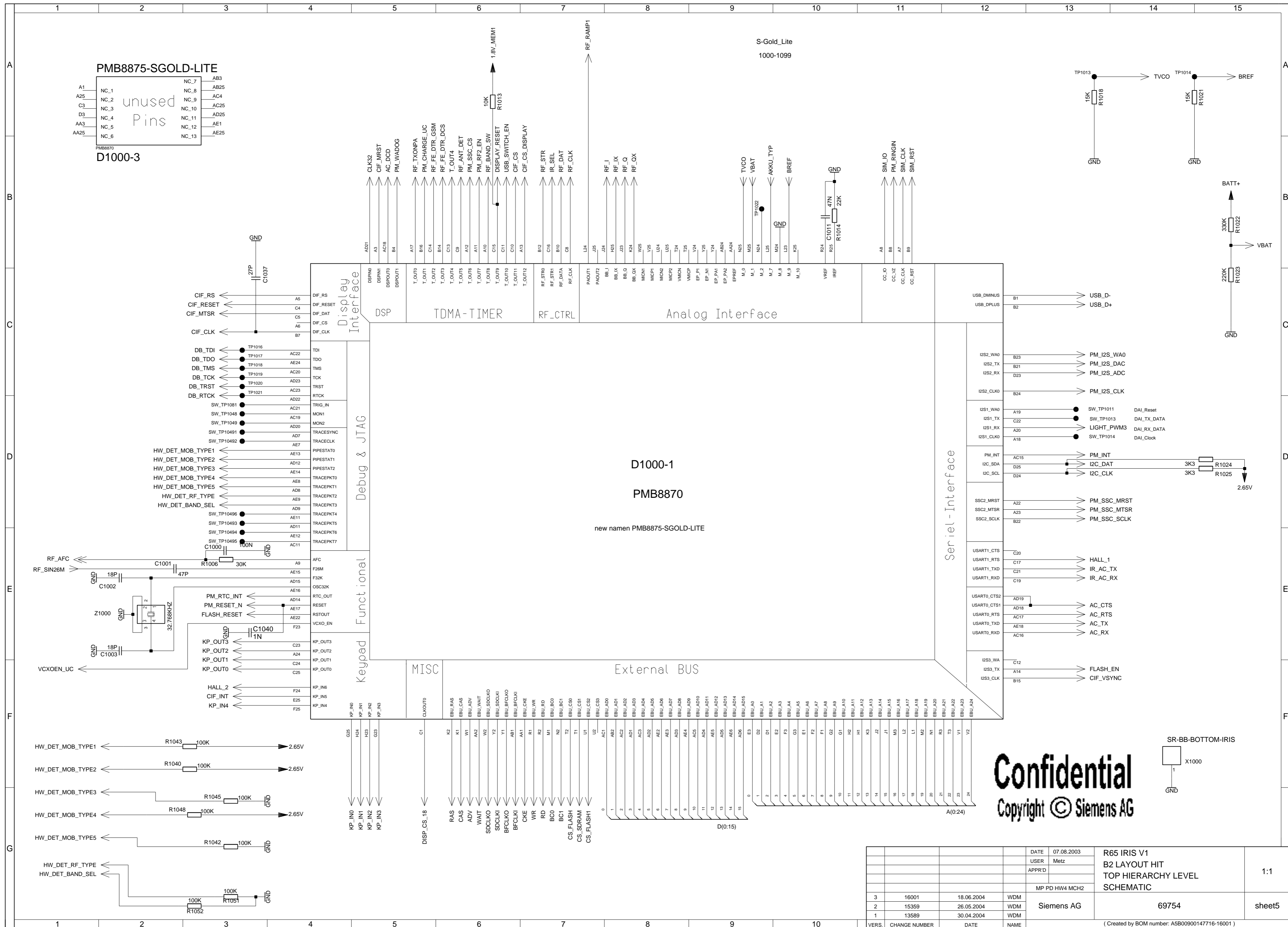
#### KEYPAD\_BACKLIGHT\_UPPER



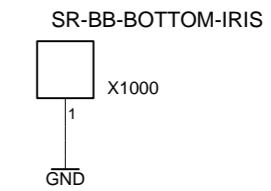
**Confidential**  
Copyright © Siemens AG

DATE	07.08.2003	R65 IRIS V1	
USER	Metz	B2 LAYOUT HIT	
APPR'D		TOP HIERARCHY LEVEL	
		SCHEMATIC	1:1
	MP PD HW4 MCH2		
	Siemens AG	69754	sheet4
VERS.	CHANGE NUMBER	DATE	NAME
3	16001	18.06.2004	WDM
2	15359	26.05.2004	WDM
1	13589	30.04.2004	WDM

( Created by BOM number: A5B00900147716-16001 )

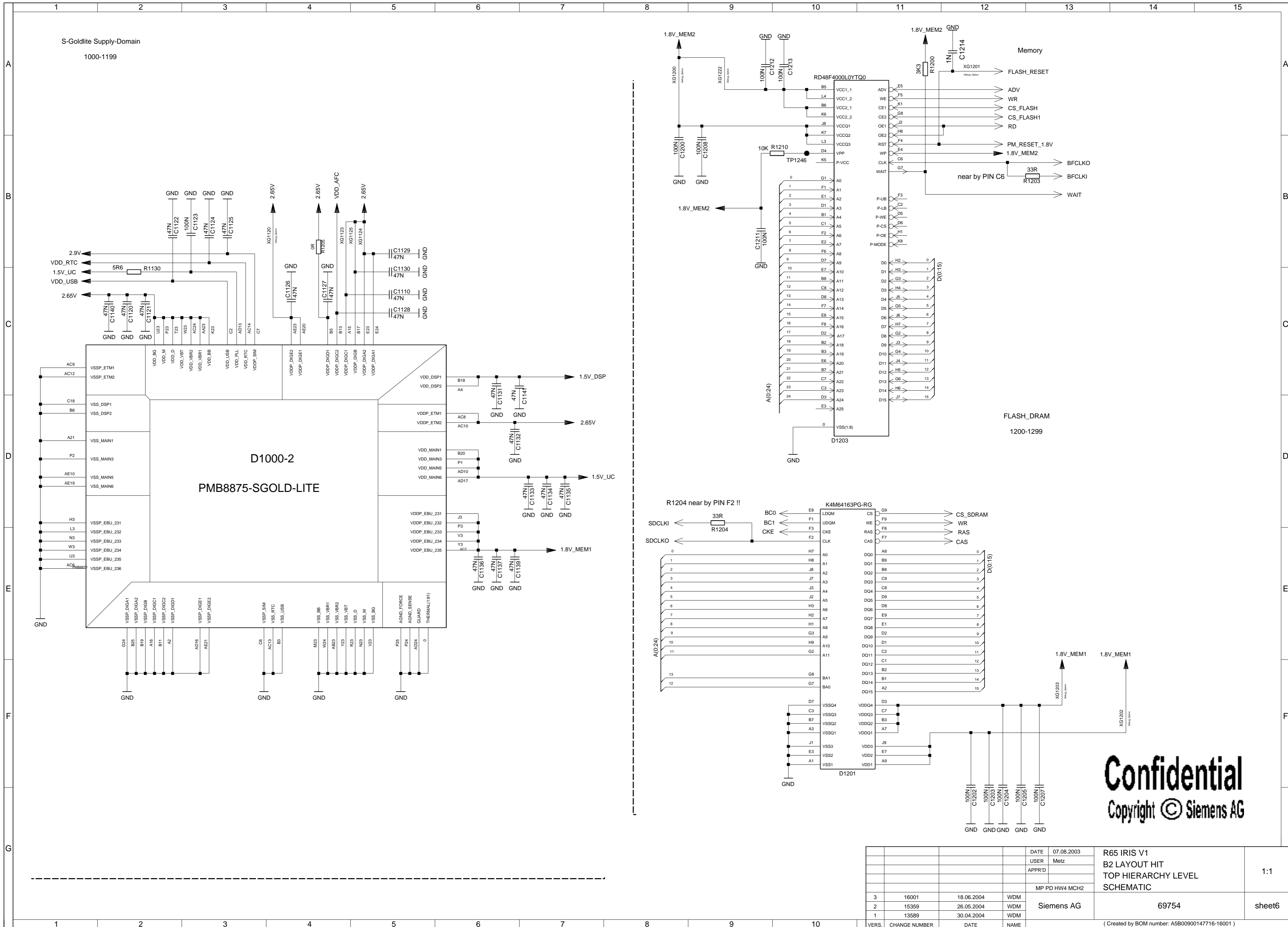


**Confidential**  
Copyright © Siemens AG



DATE	07.08.2003	R65 IRIS V1	
USER	Metz	B2 LAYOUT HIT	
APPR'D		TOP HIERARCHY LEVEL	
		SCHEMATIC	1:1
	MP PD HW4 MCH2		
	Siemens AG	69754	sheet5
( Created by BOM number: A5B00900147716-16001 )			

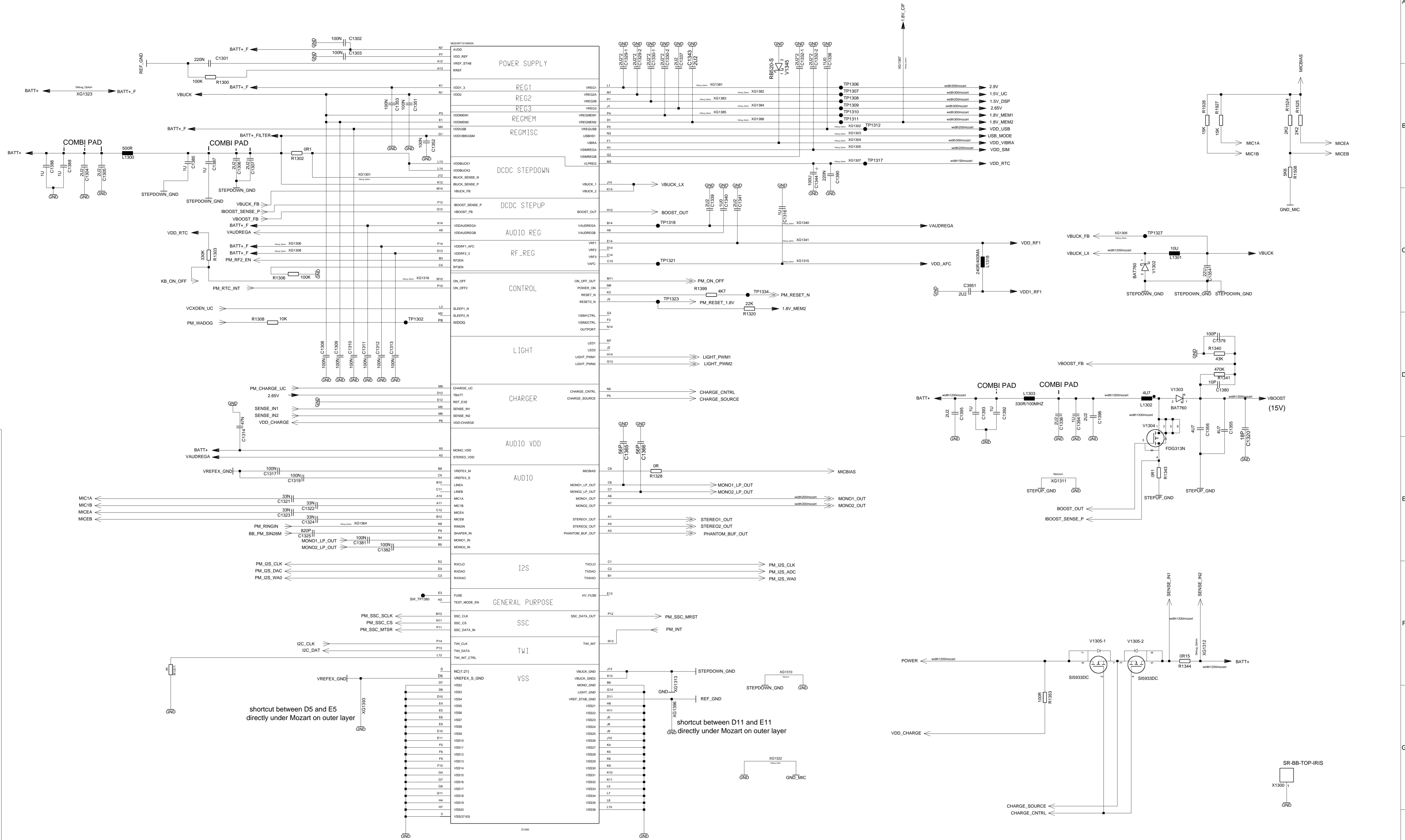




**Confidential**  
Copyright © Siemens AG

DATE	07.08.2003	R65 IRIS V1	1:1		
USER	Metz	B2 LAYOUT HIT			
APPRD		TOP HIERARCHY LEVEL			
		MP PD HW4 MCH2	SCHEMATIC		
		Siemens AG			
VERS.	CHANGE NUMBER	DATE	NAME	69754	sheet6
3	16001	18.06.2004	WDM	Siemens AG	69754
2	15359	26.05.2004	WDM		
1	13589	30.04.2004	WDM		
( Created by BOM number: A5B00900147716-16001 )					

Mozart  
1300-1399



shortcut between D5 and E5  
directly under Mozart on outer layer

shortcut between D11 and E11  
GND directly under Mozart on outer layer

pin J13 and K13 has to be connected  
directly with H11 and K11 without any via

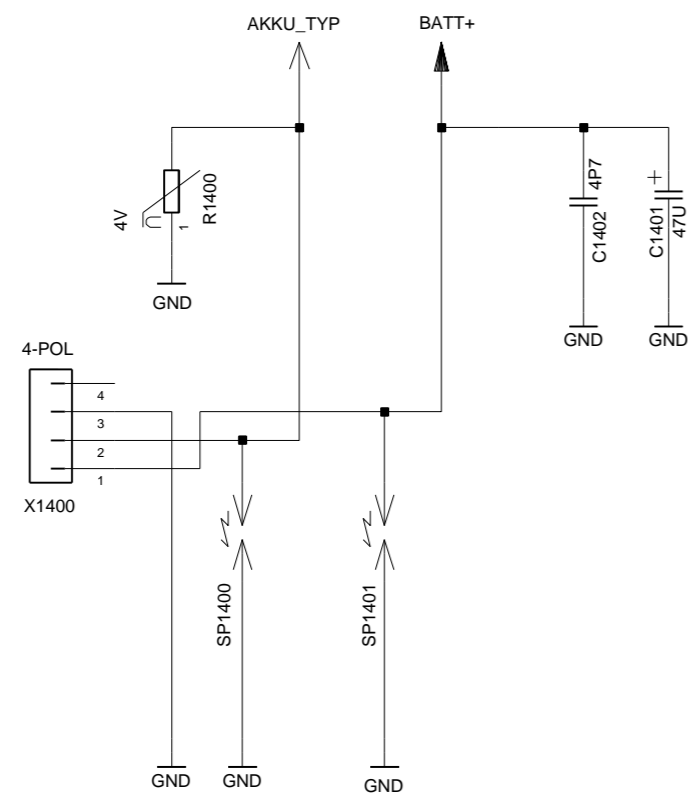
Confidential  
Copyright © Siemens AG

DATE	07.08.2003	USER	Meiz	APPROV	
MP PD HW4 MCH2					
3	16001	18.06.2004	WDM		
2	15359	26.05.2004	WDM	Siemens AG	
1	13689	30.04.2004	WDM		
VERS.	CHANGE NUMBER	DATE	NAME		

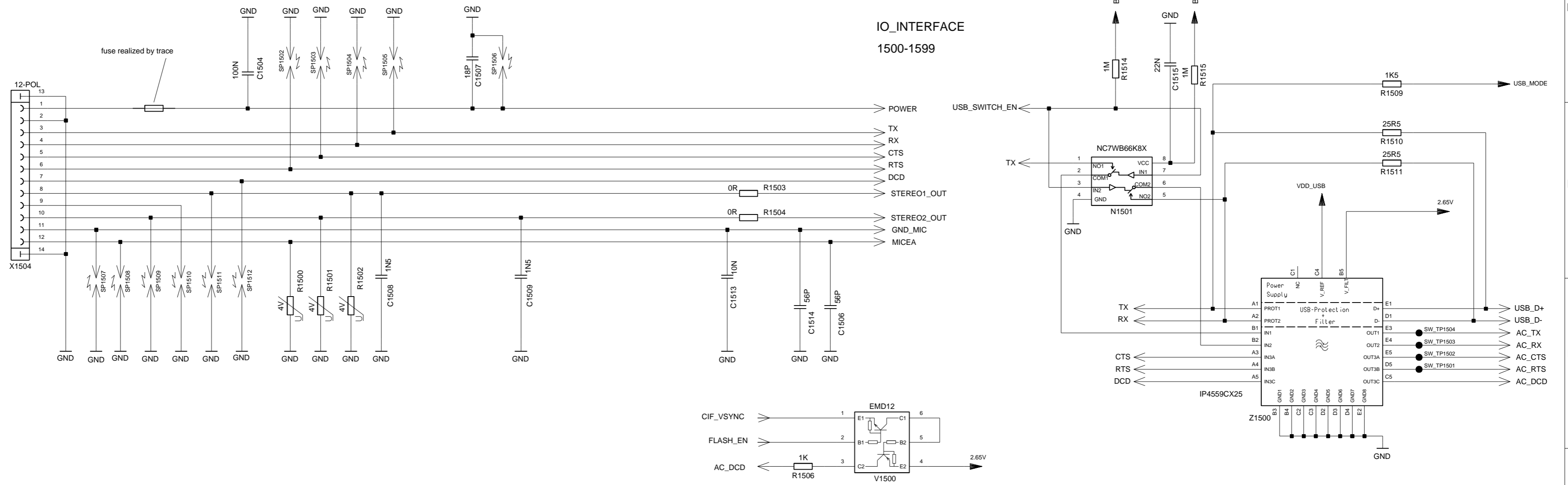
R65 IRIS V1					
B2 LAYOUT HIT					
TOP HIERARCHY LEVEL					
SCHEMATIC					
69754					
sheet7					

( Created by BOM number: A5B00900147716-16001 )

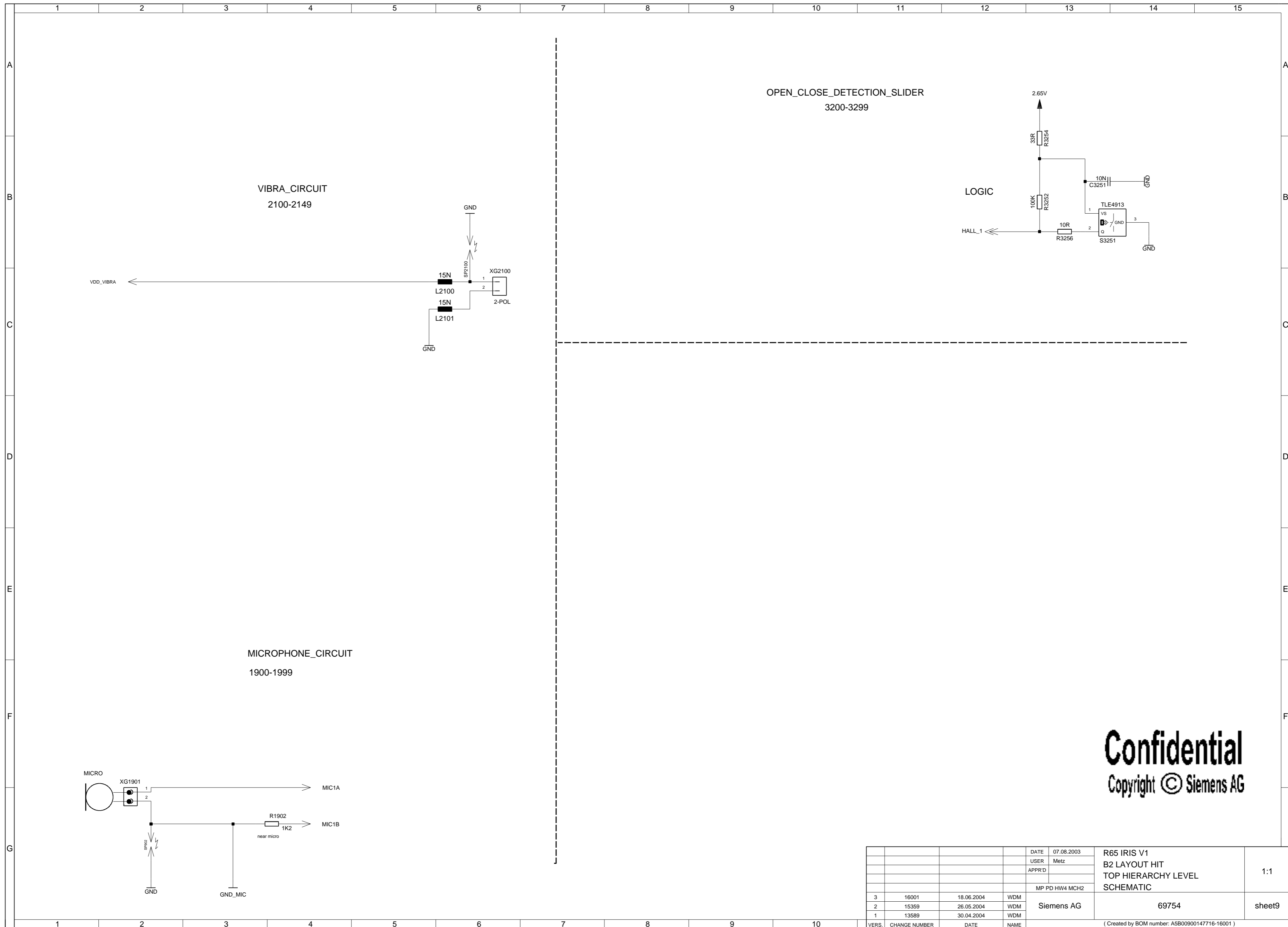
**BATTERY CONNECTOR**  
1400-1449



**IO\_INTERFACE**  
1500-1599



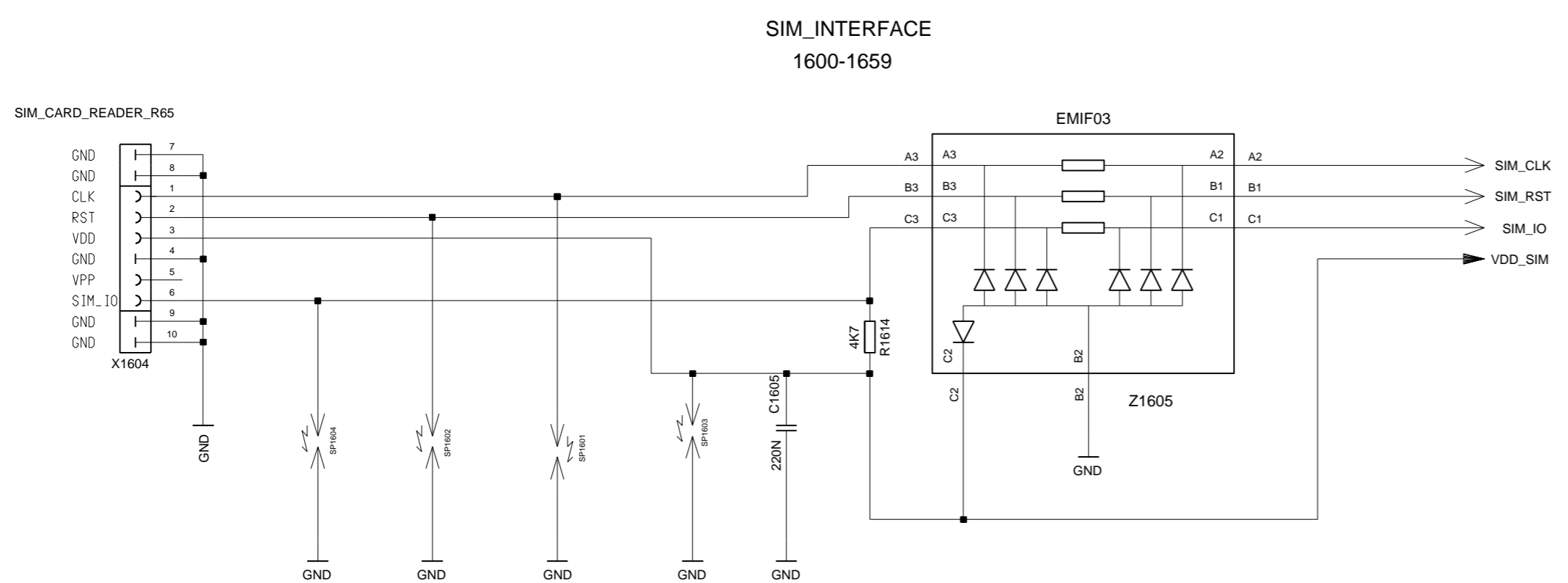
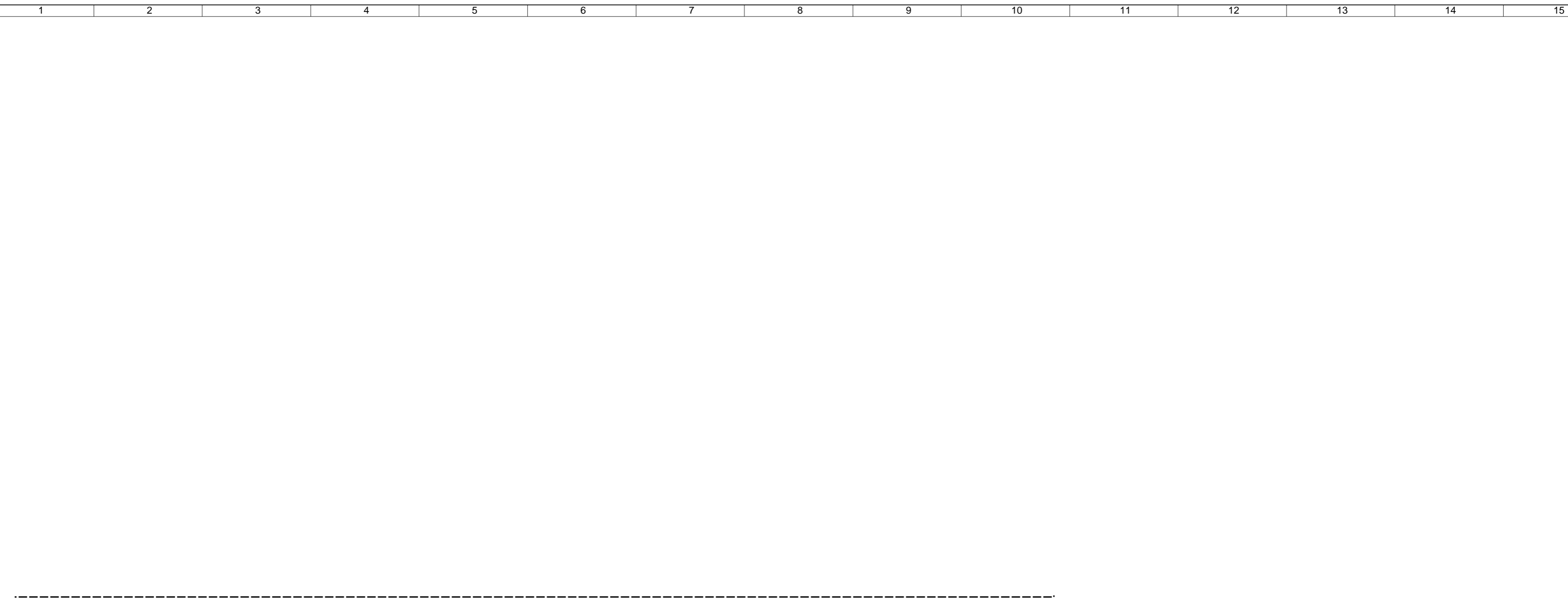
VERS.	CHANGE NUMBER	DATE	NAME	DATE	USER	APPR'D	MP PD HW4 MCH2	DATE	NAME	DESCRIPTION	SHEET
				07.08.2003	Metz					R65 IRIS V1 B2 LAYOUT HIT TOP HIERARCHY LEVEL SCHEMATIC	1:1
3	16001	18.06.2004	WDM								
2	15359	26.05.2004	WDM								
1	13589	30.04.2004	WDM								
					Siemens AG					69754	sheet8
( Created by BOM number: A5B00900147716-16001 )											



**Confidential**  
Copyright © Siemens AG

VERS.	CHANGE NUMBER	DATE	NAME	DATE	USER	MP PD HW4 MCH2	DATE	DATE
				07.08.2003	Metz			
3	16001	18.06.2004	WDM					
2	15359	26.05.2004	WDM					
1	13589	30.04.2004	WDM					
							Siemens AG	
								69754
								1:1
								sheet9

( Created by BOM number: A5B00900147716-16001 )

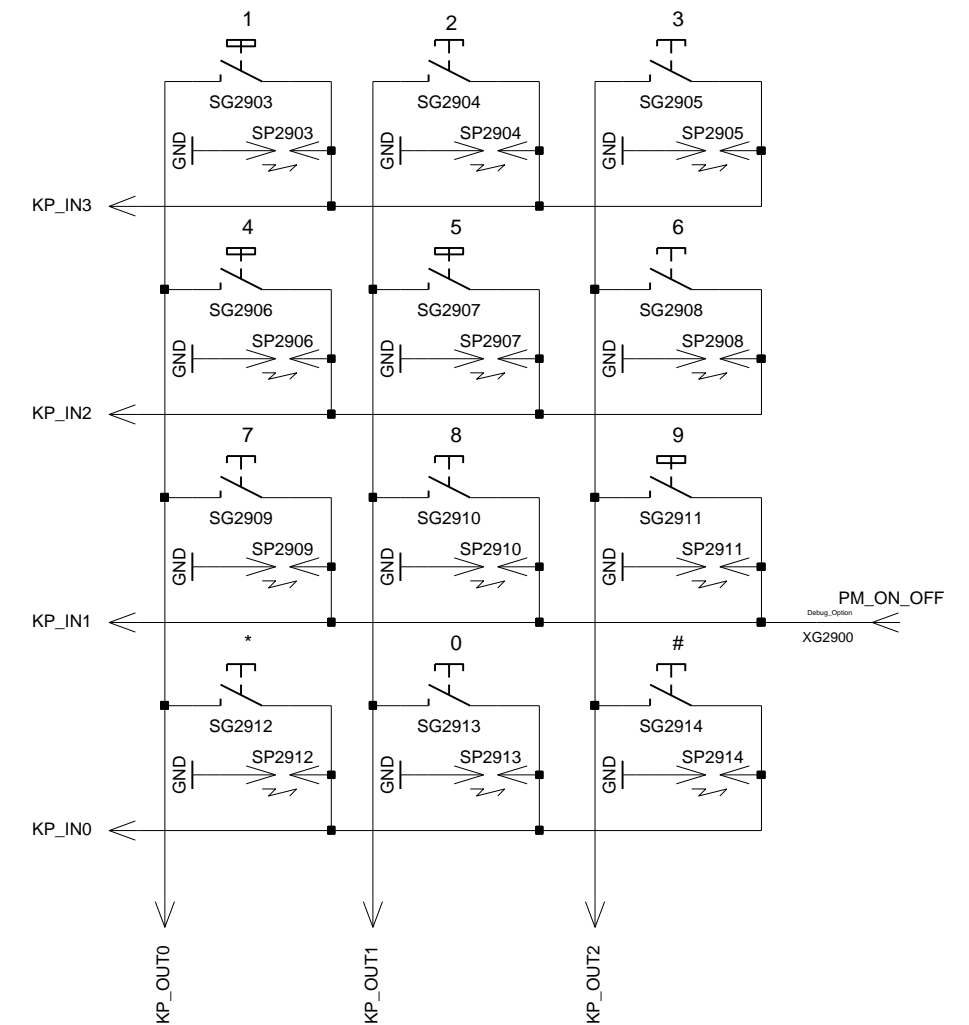
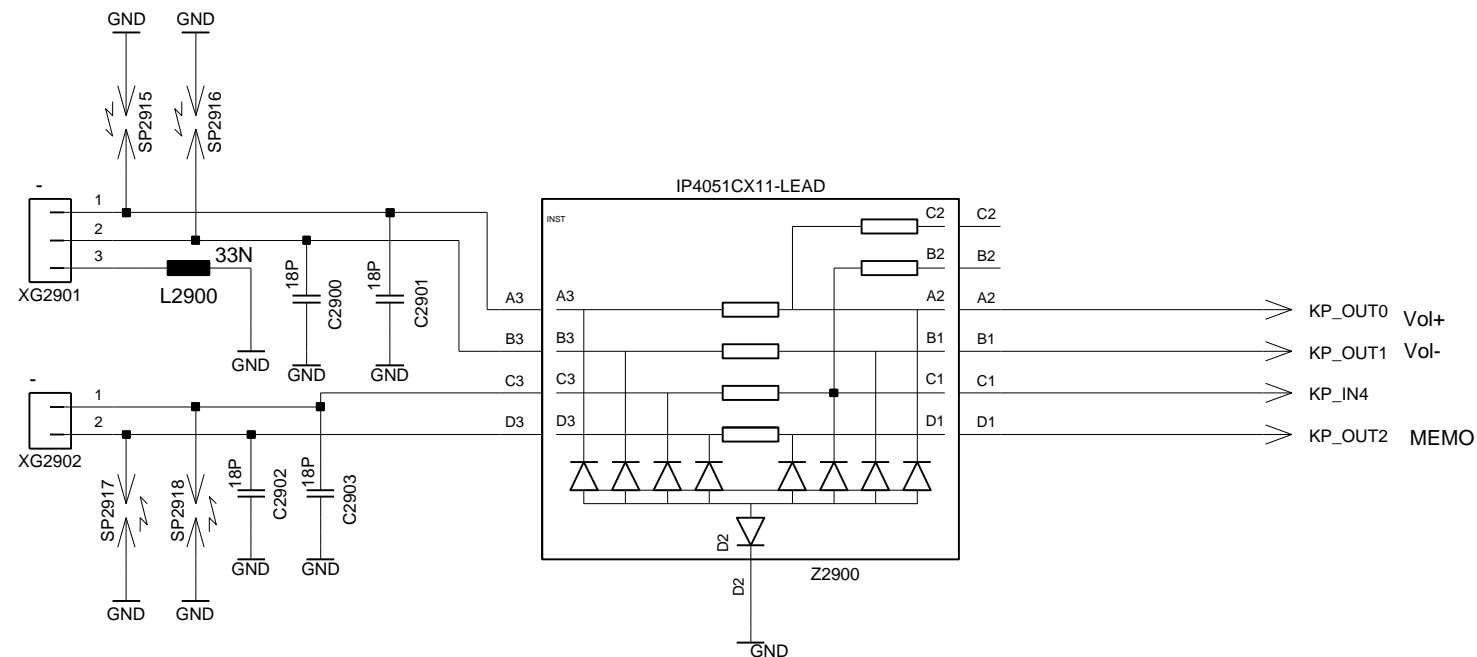


**Confidential**  
Copyright © Siemens AG

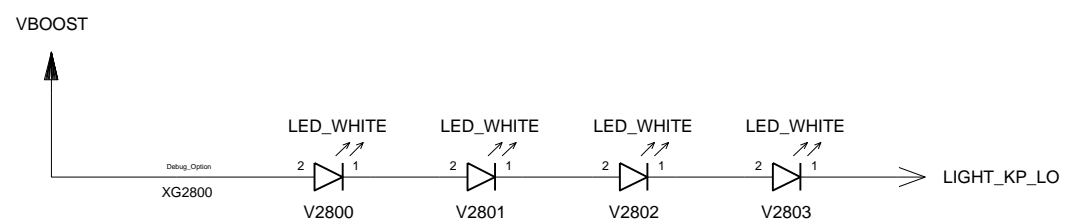
				DATE	07.08.2003	R65 IRIS V1 B2 LAYOUT HIT TOP HIERARCHY LEVEL SCHEMATIC	1:1
			USER	Metz			
			APPR'D				
					MP PD HW4 MCH2		
3	16001	18.06.2004	WDM				
2	15359	26.05.2004	WDM				
1	13589	30.04.2004	WDM				
VERS.	CHANGE NUMBER	DATE	NAME	Siemens AG		69754	sheet10
( Created by BOM number: A5B00900147716-16001 )							

**Confidential**  
Copyright © Siemens AG

**KEYBOARD\_MAIN**  
2900-2915



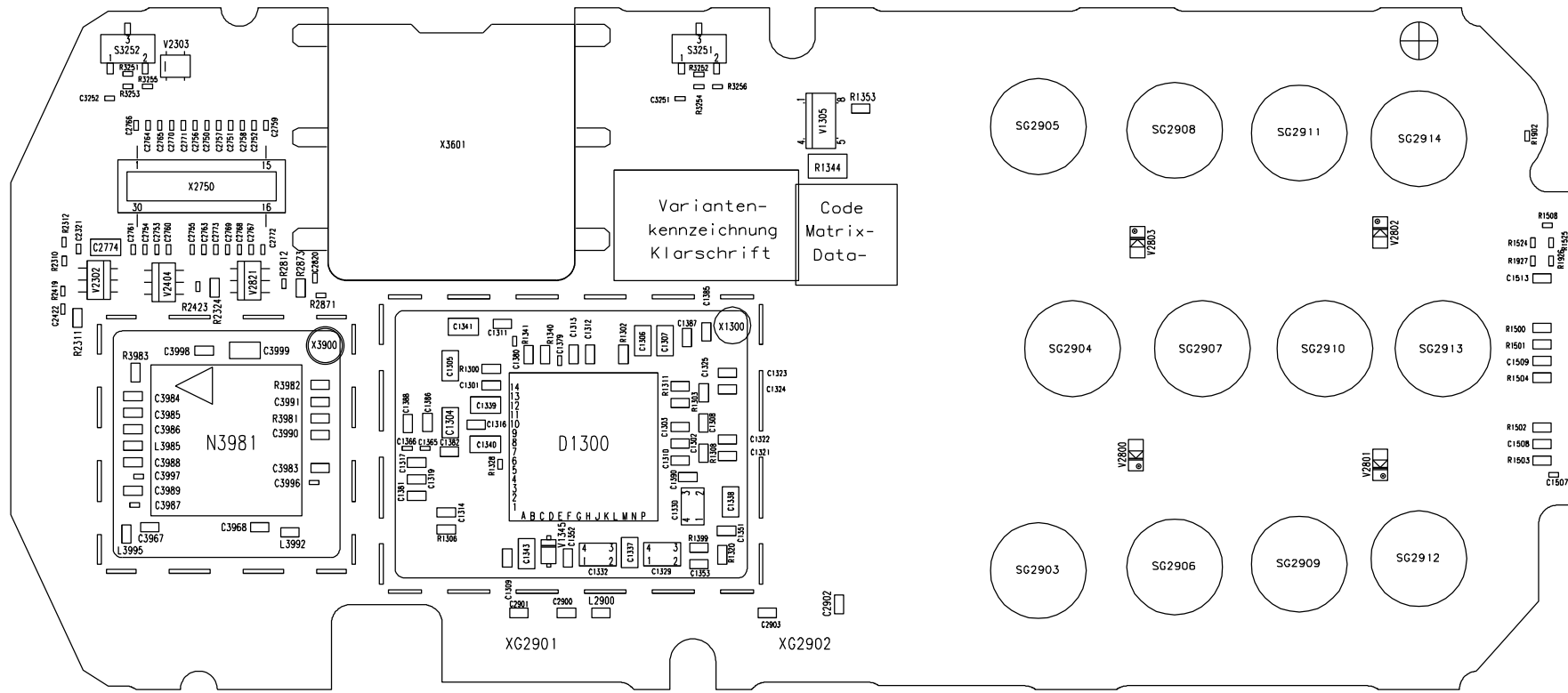
**KEYPAD\_LIGHT**  
2800-2803



Proprietary data, company confidential.  
All rights reserved

Als Betriebsgeheimnis anvertraut  
Alle Rechte vorbehalten

DATE	07.08.2003	R65 IRIS V1		1:1
USER	Metz	B2 LAYOUT HIT		
APPR'D		TOP HIERARCHY LEVEL		sheet11
		SCHEMATIC		
		MP PD HW4 MCH2		
3	16001	18.06.2004	WDM	69754
2	15359	26.05.2004	WDM	
1	13589	30.04.2004	WDM	
VERS.	CHANGE NUMBER	DATE	NAME	Siemens AG
				( Created by BOM number: A5B00900147716-16001 )



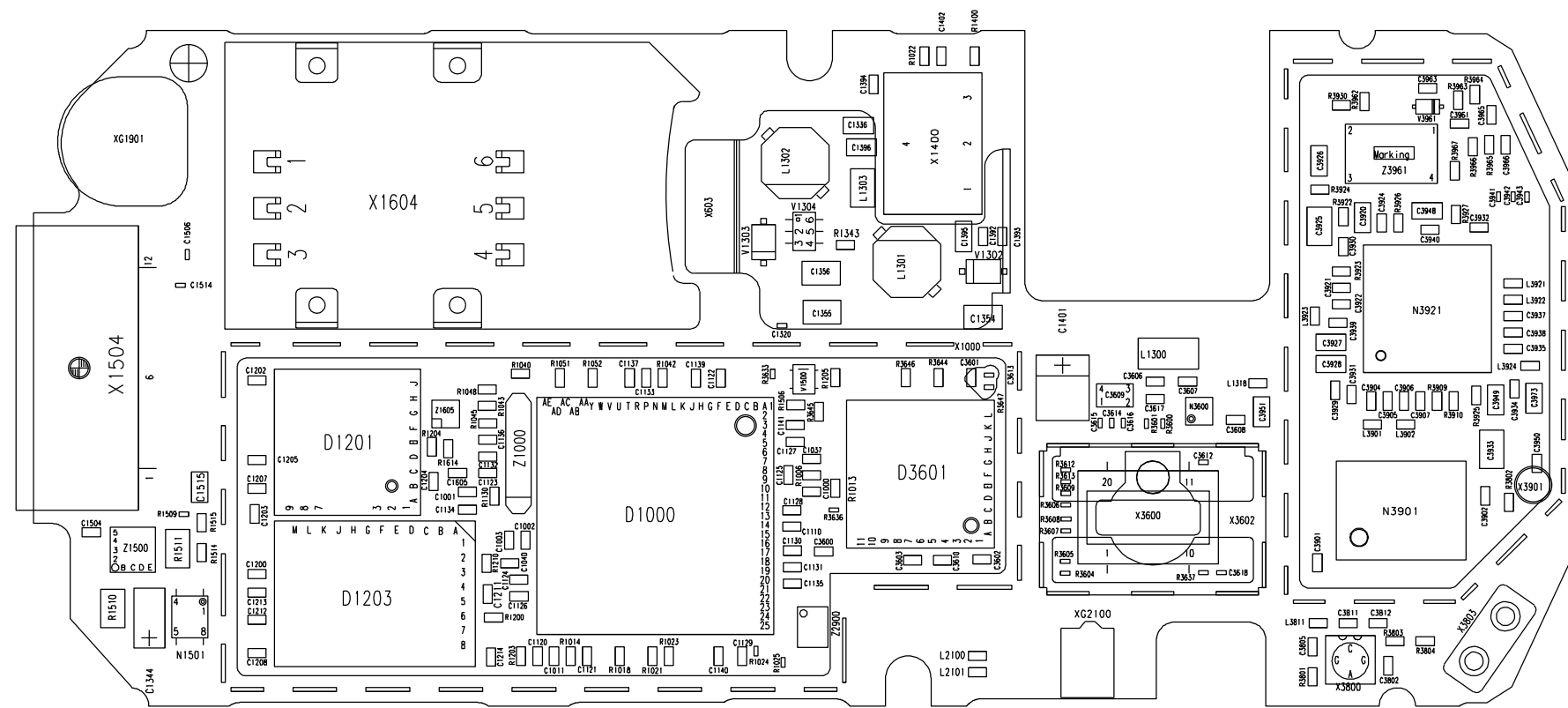
C1301	4B	C1341	4B	C2757	3A	C3986	3B	R1500	9B	S3251	5A
C1302	5B	C1343	4B	C2758	3A	C3987	3B	R1501	9B	S3252	2A
C1303	5B	C1351	5B	C2759	3A	C3988	3B	R1502	9B	V1305	5A
C1304	4B	C1352	4B	C2760	3A	C3989	3B	R1503	8B	V1345	4B
C1305	4B	C1353	5B	C2761	3A	C3990	3B	R1504	8B	V2302	2B
C1306	5B	C1365	4B	C2763	3A	C3991	3B	R1508	9A	V2303	3A
C1307	5B	C1366	4B	C2764	3A	C3996	3B	R1524	8B	V2404	3B
C1308	5B	C1379	4B	C2765	3A	C3997	3B	R1525	9B	V2800	7B
C1309	4B	C1380	4B	C2766	3A	C3998	3B	R1902	8A	V2801	8B
C1310	5B	C1381	4B	C2767	3A	C3999	3B	R1926	9B	V2802	8A
C1311	4B	C1382	4B	C2768	3A	D1300	4B	R1927	8B	V2803	7A
C1312	5B	C1385	5B	C2769	3A	L2900	5C	R2310	2B	V2821	3B
C1313	4B	C1386	4B	C2770	3A	L3985	3B	R2311	2B	X1300	5B
C1314	4B	C1387	5B	C2771	3A	L3992	3B	R2312	2B	X2750	3A
C1316	4B	C1388	4B	C2772	3A	L3995	3B	R2324	3B	X3601	3A
C1317	4B	C1390	5B	C2773	3A	N3981	3B	R2419	2B	X3900	4B
C1319	4B	C1507	9B	C2774	2B	R1300	4B	R2423	3B		
C1321	5B	C1508	9B	C2820	3B	R1302	5B	R2812	3B		
C1322	5B	C1509	9B	C2900	4C	R1303	5B	R2871	3B		
C1323	5B	C1513	8B	C2901	4C	R1306	4B	R2873	3B		
C1324	5B	C2321	2A	C2902	6C	R1308	5B	R3251	3A		
C1325	5B	C2422	2B	C2903	5C	R1311	5B	R3252	5A		
C1329	5B	C2750	3A	C3251	5A	R1320	5B	R3253	3A		
C1330	5B	C2751	3A	C3252	2A	R1328	4B	R3254	5A		
C1332	5B	C2752	3A	C3967	3B	R1340	4B	R3255	3A		
C1337	5B	C2753	3A	C3968	3B	R1341	4B	R3256	5A		
C1338	5B	C2754	3A	C3983	3B	R1344	6A	R3981	3B		
C1339	4B	C2755	3A	C3984	3B	R1353	6A	R3982	3B		
C1340	4B	C2756	3A	C3985	3B	R1399	5B	R3983	3B		

**Confidential**  
Copyright © Siemens AG

Achtung : Hoehenprofil C24\_...\_...\_42 (gilt nur fuer Entwicklung)  
Liefervarianten siehe : V24851-Z2000-A1-\*35

			DATE	07.08.2003	R65 IRIS V1 B2 LAYOUT HIT WIRING DIAGRAMM (SOLDER SIDE 1)	3:1
			NAME	Metz		
			APPR'D			
			STD			
			MP PD HW4 MCH2			
3	16001	18.06.2004	WDM		SIEMENS AG	SHEET 1+
2	15359	26.05.2004	WDM			
1	13589	24.03.2004	WDM			
VERS.	CHANGE NUMBER	DATE	NAME	( Created by BOM number: A5B00900147716-16001 )		

69755



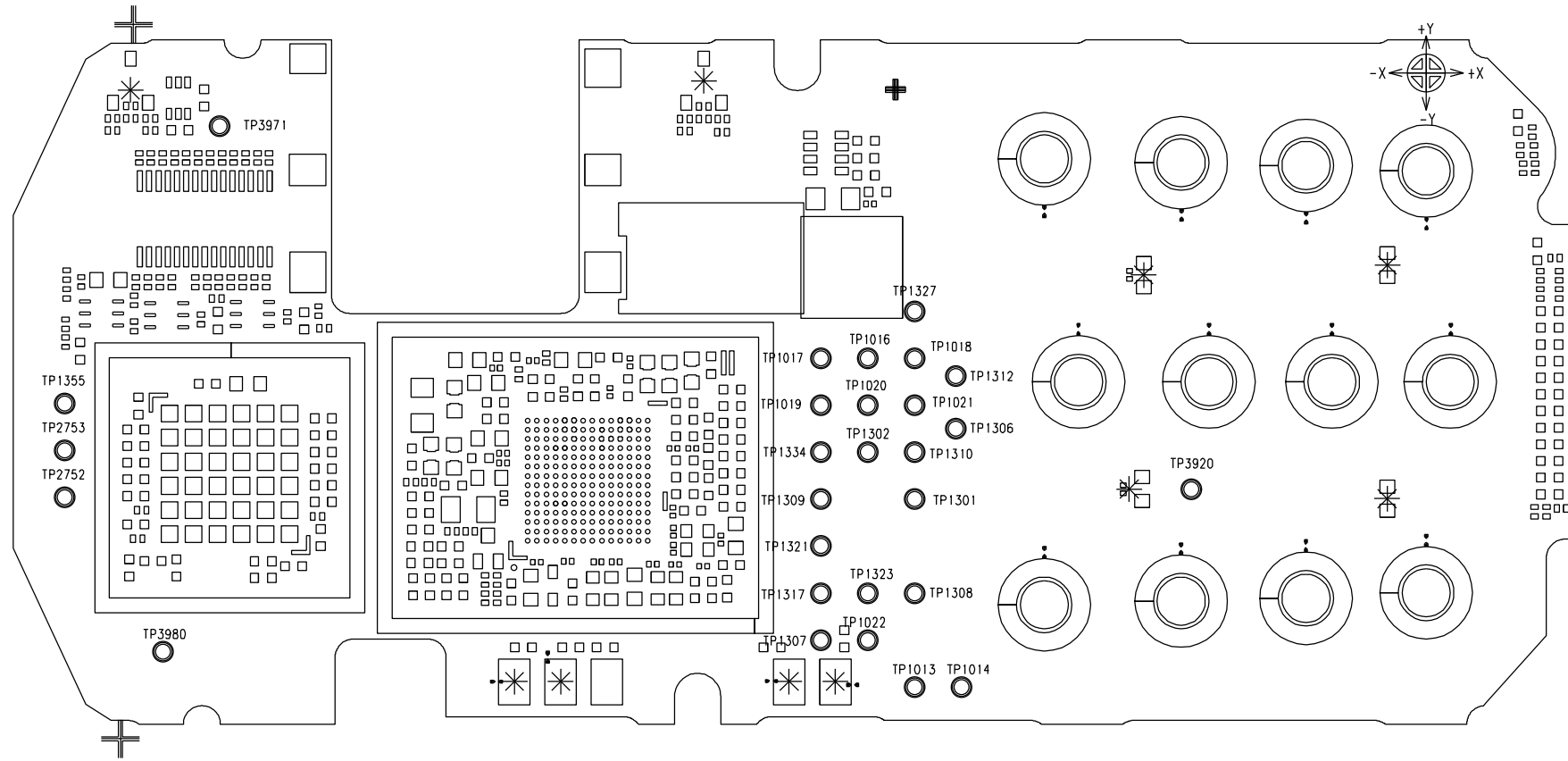
C1000	6B	C1200	3B	C3600	6B	C3924	8A	D1201	4B	R1025	5C	R3608	7B	R3967	8A
C1001	4B	C1202	3B	C3601	6B	C3925	8A	D1203	4B	R1040	4B	R3609	7B	V1302	6B
C1002	4B	C1203	3B	C3602	6B	C3926	8A	D3601	6B	R1042	5B	R3612	7B	V1303	5A
C1003	4B	C1204	4B	C3603	6B	C3927	8B	L1300	7B	R1043	4B	R3613	4B	V1304	5A
C1011	4C	C1205	3B	C3606	7B	C3928	8B	L1301	6A	R1045	4B	R3633	5B	V1500	5B
C1037	6B	C1207	3B	C3607	7B	C3929	8B	L1302	6A	R1048	4B	R3636	6B	V3961	8A
C1040	4B	C1208	3C	C3608	7B	C3930	8A	L1303	6A	R1051	4B	R3637	7B	X603	5A
C1110	6B	C1211	4B	C3609	7B	C3931	8B	L1318	8B	R1052	5B	R3644	6B	X1000	6B
C1120	4C	C1212	3C	C3610	6B	C3932	8A	L2100	6C	R1130	4B	R3645	6B	X1400	6A
C1121	5C	C1213	3B	C3612	7B	C3933	8B	L2101	6C	R1200	4C	R3646	6B	X1504	3B
C1122	5B	C1214	4C	C3613	6B	C3934	9B	L3811	8C	R1203	4C	R3647	6B	X1604	3A
C1123	4B	C1320	5B	C3614	7B	C3935	9B	L3901	8B	R1204	4B	R3801	8C	X3600	7B
C1124	4B	C1336	6A	C3615	7B	C3937	9B	L3902	8B	R1205	6B	R3802	9B	X3602	7B
C1125	5B	C1344	3C	C3616	7B	C3938	9B	L3921	9B	R1210	4B	R3803	8C	X3800	8C
C1126	4B	C1354	6B	C3617	7B	C3939	8B	L3922	9B	R1343	6A	R3804	8C	X3803	8C
C1127	6B	C1355	6B	C3618	7B	C3940	8A	L3923	8B	R1400	6A	R3909	8B	X3901	8A
C1128	6B	C1356	6B	C3802	8C	C3941	9A	L3924	9B	R1506	6B	R3910	8B	Z1000	4B
C1129	5C	C1392	6A	C3805	8C	C3942	9A	N1501	3B	R1509	3B	R3922	8A	Z1500	3B
C1130	6B	C1393	6A	C3811	8C	C3943	9A	N3600	7B	R1510	3B	R3923	8B	Z1605	4B
C1131	6B	C1394	6A	C3812	8C	C3948	8A	N3901	8B	R1511	3B	R3924	8A	Z2900	6C
C1132	4B	C1395	6A	C3901	8B	C3949	8B	N3921	8B	R1514	3B	R3925	8B	Z3961	8A
C1133	5B	C1396	6A	C3902	8B	C3950	9B	R1006	6B	R1515	3B	R3926	8A		
C1134	4B	C1401	7B	C3904	8B	C3951	7B	R1013	6B	R1614	4B	R3927	8A		
C1135	6B	C1402	6A	C3905	8B	C3961	8A	R1014	5C	R3600	7B	R3930	8A		
C1136	4B	C1504	2B	C3906	8B	C3963	8A	R1018	5C	R3601	7B	R3962	8A		
C1137	5B	C1506	3A	C3907	8B	C3965	8A	R1021	5C	R3604	7B	R3963	8A		
C1139	5B	C1514	3B	C3920	8A	C3966	9A	R1022	6A	R3605	7B	R3964	8A		
C1140	5C	C1515	3B	C3921	8B	C3973	9B	R1023	5C	R3606	7B	R3965	8A		
C1141	5B	C1605	4B	C3922	8B	D1000	5B	R1024	5C	R3607	7B	R3966	8A		

**Confidential**  
Copyright © Siemens AG

Achtung : Höhenprofil C24\_...\_...\_42 (gilt nur fuer Entwicklung)  
Liefervarianten siehe : V24851-Z2000-A1-\*\*-35

				DATE	07.08.2003	R65 IRIS V1 B2 LAYOUT HIT WIRING DIAGRAM (SOLDER SIDE 2)	3:1
				NAME	Metz		
				APPR'D			
				STD			
					MP PD HW4 MCH2		
3	16001	18.06.2004	WDM				
2	15359	26.05.2004	WDM				
1	13589	24.03.2004	WDM				
VERS.	CHANGE NUMBER	DATE	NAME	( Created by BOM number: A5B00900147716-16001 )			
				SIEMENS AG	69755	SHEET	2+





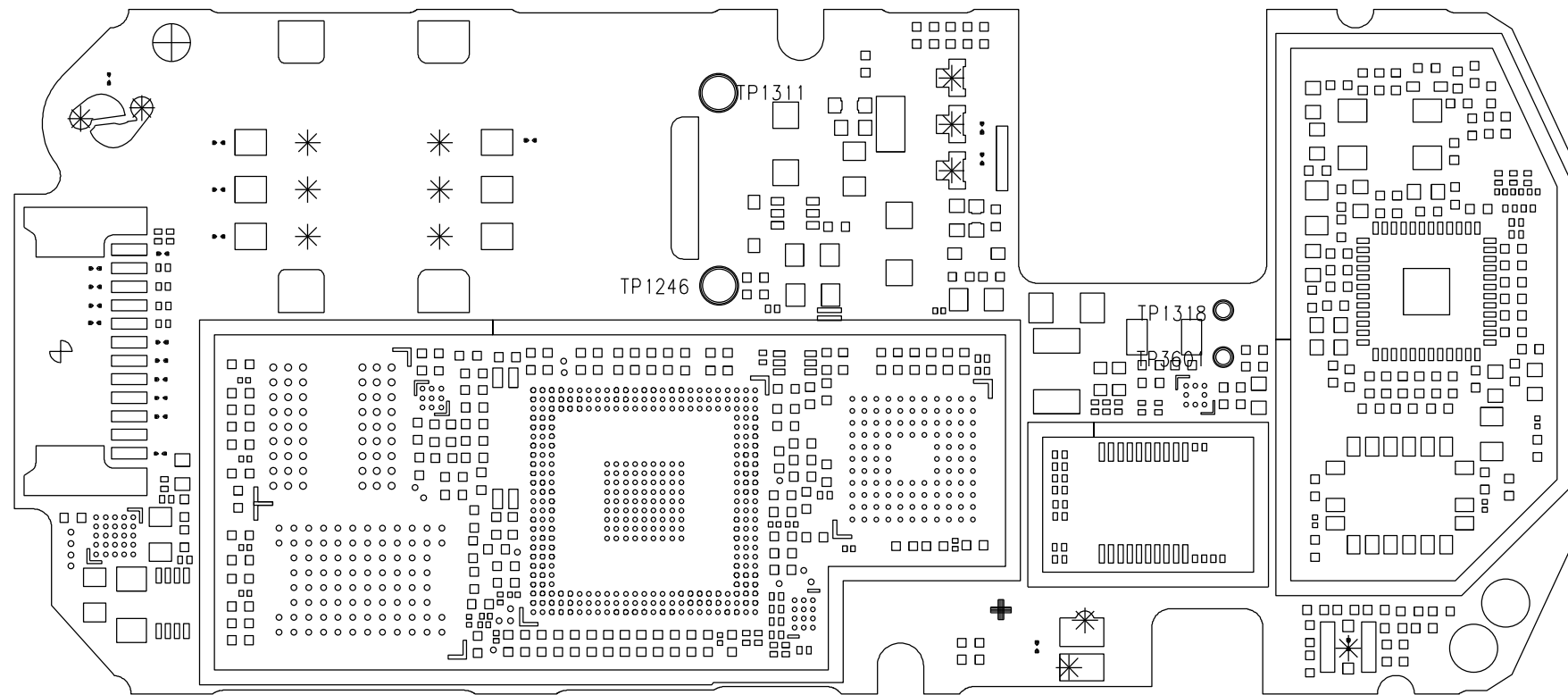
TP1013	6C	TP1306	6B	TP1355	3B
TP1014	6C	TP1307	6C	TP2752	3B
TP1016	6B	TP1308	6C	TP2753	3B
TP1017	6B	TP1309	6B	TP3920	7B
TP1018	6B	TP1310	6B	TP3971	3A
TP1019	6B	TP1312	6B	TP3980	3C
TP1020	6B	TP1317	6C		
TP1021	6B	TP1321	6B		
TP1022	6C	TP1323	6C		
TP1301	6B	TP1327	6B		
TP1302	6B	TP1334	6B		

**Confidential**  
Copyright © Siemens AG

				DATE	07.08.2003	R65 IRIS V1 B2 LAYOUT HIT TESTPOINT DIAGRAMM (SIDE 1)	3:1
				NAME	Metz		
				APPR'D			
				STD			
					MP PD HW4 MCH2		
2	15359	26.05.2004	WDM	SIEMENS AG		69756	SHEET 1+
1	13589	24.03.2004	WDM				
VERS.	CHANGE NUMBER	DATE	NAME	( Created by BOM number: A5B00900147716-15359 )			

PROPRIETARY DATA, COMPANY CONFIDENTIAL  
ALL RIGHTS RESERVED

ALS BETRIEBSGEHEIMNIS ANVERTRAUT  
ALLE RECHTE VORBEHALTEN



TP1246	5B
TP1311	5A
TP1318	7B
TP3601	7B

**Confidential**  
Copyright © Siemens AG

				DATE	07.08.2003	R65 IRIS V1 B2 LAYOUT HIT TESTPOINT DIAGRAMM (SIDE 2)	3:1
				NAME	Metz		
				APPR'D			
				STD			
					MP PD HW4 MCH2		
2	15359	26.05.2004	WDM	SIEMENS AG		69756	SHEET
1	13589	24.03.2004	WDM				2-
VERS.	CHANGE NUMBER	DATE	NAME	( Created by BOM number: A5B00900147716-15359 )			