

Proprietary data, Company confidential.
all rights reserved

Als Betriebsgeheimnis anvertraut
alle Rechte vorbehalten

| | 1 | 2 | 3 | 4 | 5 | 6 | 7 | 8 | 9 | 10 | 11 | 12 | 13 | 14 | 15 |
|---|---|---|---|---|---|----------------------|-----|----------|-------|----|-----------|----|----|----|----|
| A | | | | | | HIERARCHY | | | SHEET | | PDF-SHEET | | | | |
| | | | | | | A5B00900192338-28982 | ├── | index | | | sheet 1 | | | | |
| | | | | | | | ├── | netlist1 | | | sheet 2 | | | | |
| | | | | | | | ├── | netlist2 | | | sheet 3 | | | | |
| | | | | | | | ├── | poslist1 | | | sheet 4 | | | | |
| | | | | | | | ├── | page1 | | | ---- | | | | |
| | | | | | | | ├── | sheet1 | | | sheet 5 | | | | |
| | | | | | | | ├── | sheet4 | | | sheet 6 | | | | |
| | | | | | | | ├── | sheet10 | | | sheet 7 | | | | |
| | | | | | | | ├── | sheet11 | | | sheet 8 | | | | |
| | | | | | | | ├── | sheet12 | | | sheet 9 | | | | |
| | | | | | | | ├── | sheet13 | | | sheet 10 | | | | |
| | | | | | | | ├── | sheet14 | | | sheet 11 | | | | |
| | | | | | | | ├── | sheet15 | | | sheet 12 | | | | |
| | | | | | | | ├── | sheet16 | | | sheet 13 | | | | |
| | | | | | | | ├── | sheet17 | | | sheet 14 | | | | |
| | | | | | | | ├── | sheet19 | | | sheet 15 | | | | |
| | | | | | | | ├── | sheet21 | | | sheet 16 | | | | |
| | | | | | | | ├── | sheet23 | | | sheet 17 | | | | |
| | | | | | | | ├── | sheet27 | | | sheet 18 | | | | |
| | | | | | | | ├── | sheet28 | | | sheet 19 | | | | |
| | | | | | | | ├── | sheet30 | | | sheet 20 | | | | |
| | | | | | | | ├── | sheet32 | | | sheet 21 | | | | |
| | | | | | | | ├── | sheet35 | | | sheet 22 | | | | |
| | | | | | | | ├── | sheet37 | | | sheet 23 | | | | |
| | | | | | | | ├── | sheet38 | | | sheet 24 | | | | |
| | | | | | | | ├── | sheet39 | | | sheet 25 | | | | |
| | | | | | | | ├── | sheet49 | | | sheet 26 | | | | |
| | | | | | | | ├── | sheet51 | | | sheet 27 | | | | |
| | | | | | | | ├── | sheet54 | | | sheet 28 | | | | |
| B | | | | | | | | | | | | | | | |
| C | | | | | | | | | | | | | | | |
| D | | | | | | | | | | | | | | | |
| E | | | | | | | | | | | | | | | |
| F | | | | | | | | | | | | | | | |
| G | | | | | | | | | | | | | | | |

| | | | | | | | |
|-------|---------------|------------|--------|---|-------------------|---|-------|
| | | | | DATE | 19.05.2005 | G75 HYDRA MAIN B2.2 Variant V1 TOP HIERARCHY LEVEL SCHEMATIC | 1:1 |
| | | | USER | Braendskov | | | |
| | | | APPR'D | | | | |
| | | | | | COM MD PD HW4 AAL | | |
| | | | | | Siemens AG | 184376 | index |
| 1 | 28983 | 04.07.2005 | olh | | | | |
| VERS. | CHANGE NUMBER | DATE | NAME | (Created by BOM number: A5B00900192340-28983) | | | |

Proprietary data, company confidential.
All rights reserved

Als Betriebsgeheimnis anvertraut
Alle Rechte vorbehalten

| 1 | 2 | 3 | 4 | 5 |
|--|---|---|---|---|
| STEREO1_OUT /sheet15 11 B /sheet13 7 E | VBOOST /sheet4 14 A /sheet4 13 A /sheet4 2 E | /sheet37 6 D /sheet13 8 C | | |
| STEREO2_OUT /sheet15 11 B /sheet13 7 E | VDD_RTC /sheet4 4 E /sheet28 2 A /sheet13 12 C /sheet49 7 A | /sheet4 13 C /sheet4 14 C /sheet4 10 G /sheet13 8 B /sheet11 7 A | | |
| TVCXO /sheet4 2 C /sheet4 4 C /sheet39 15 C /sheet10 15 A /sheet10 11 B | VDD_SIM /sheet4 14 C /sheet4 13 C /sheet16 10 C /sheet13 8 B | | | |
| TX /sheet15 11 A /sheet15 9 F | VBUCK /sheet4 14 D /sheet4 14 B /sheet4 13 B /sheet4 13 D | VDD_USB /sheet4 13 B /sheet4 14 B /sheet4 10 G /sheet13 8 B /sheet11 7 A | | |
| TXOUTD /sheet39 1 E /sheet37 1 E | VDD_VIBRA /sheet4 14 B /sheet4 13 B /sheet21 4 C /sheet13 8 B | | | |
| TXOUTG /sheet39 1 E /sheet37 1 E | VBUCK_FB /sheet13 10 A /sheet13 2 C | | | |
| TX_ON /sheet39 1 F /sheet37 1 E | VBUCK_LX /sheet4 13 D /sheet4 14 D /sheet13 10 A /sheet13 6 B | VREFEXS_GND /sheet13 4 F /sheet13 3 E | | |
| T_OUT11 /sheet10 8 B | WAIT /sheet12 8 A /sheet10 6 G | | | |
| USB_D+ /sheet4 10 F /sheet15 10 E /sheet10 13 C | VCXOEN_UC /sheet4 10 C /sheet13 2 C /sheet10 4 F | WR /sheet12 15 E /sheet12 8 B /sheet10 7 G | | |
| USB_D- /sheet4 10 F /sheet15 10 E /sheet10 13 C | VDD_AFC /sheet4 14 C /sheet4 13 C /sheet4 10 G /sheet13 8 C /sheet11 4 A | | | |
| USB_MODE /sheet15 10 D /sheet13 8 B | VDD_BT /sheet51 4 B /sheet51 2 A /sheet4 14 C /sheet4 13 C /sheet13 8 C | | | |
| VAFL /sheet13 3 E /sheet10 10 A | VDD_BT_RF2 /sheet51 1 A /sheet51 5 B | | | |
| VAFL_EP /sheet4 10 B /sheet10 10 B | VDD_CHARGE /sheet13 2 D /sheet13 9 H | | | |
| VAFR /sheet13 3 E /sheet10 11 A | VDD_RF1 /sheet4 13 C /sheet4 14 C /sheet39 2 A /sheet39 10 B /sheet39 13 B /sheet13 8 C | | | |
| VAFR_EP /sheet4 10 B /sheet10 11 A | VDD_RF2 /sheet4 14 C /sheet4 13 C /sheet39 3 B /sheet39 1 E | | | |
| VAUDREGA /sheet4 14 C /sheet4 13 C /sheet13 4 E /sheet13 8 C /sheet13 3 C | | | | |
| VBAT /sheet10 15 F /sheet10 11 B | | | | |

A

B

C

D

E

| | | | | | | |
|-------|---------------|------------|-------------------|---|---|----------|
| | | | DATE | 19.05.2005 | G75 HYDRA MAIN B2.2 Variant V1 TOP HIERARCHY LEVEL SCHEMATIC | 1:1 |
| | | | USER | Braendskov | | |
| | | | APPR'D | | | |
| | | | COM MD PD HW4 AAL | | | |
| | | | Siemens AG | | 184376 | netlist2 |
| 1 | 28983 | 04.07.2005 | ohl | | | |
| VERS. | CHANGE NUMBER | DATE | NAME | (Created by BOM number: A5B00900192340-28983) | | |

Proprietary data, company confidential.
All rights reserved

Als Betriebsgeheimnis anvertraut
Alle Rechte vorbehalten

| | | | | | | | | | | | |
|---|--|--|---|---|---|---|--|---|---|----|--|
| | 1 | 2 | 3 | 4 | 5 | 6 | 7 | 8 | 9 | 10 | |
| A | C1000 /sheet10 2 E C1001 /sheet10 2 F C1002 /sheet10 1 F C1003 /sheet10 1 F C1004 /sheet10 8 A C1005 /sheet10 7 A C1007 /sheet10 15 F C1008 /sheet10 15 E C1009 /sheet10 15 E C1011 /sheet10 12 B C1012 /sheet10 15 B C1013 /sheet10 14 F C1014 /sheet10 15 F C1021 /sheet10 11 B C1022 /sheet10 11 B C1038 /sheet10 3 D C1039 /sheet10 14 C C1040 /sheet10 3 F C1070 /sheet10 9 A C1071 /sheet10 10 A C1072 /sheet10 11 A C1073 /sheet10 10 A C1074 /sheet10 10 B C1075 /sheet10 10 B C1076 /sheet10 10 A C1077 /sheet10 10 B C1110 /sheet11 4 A C1120 /sheet11 7 B C1121 /sheet11 7 B C1122 /sheet11 6 A C1123 /sheet11 6 A C1124 /sheet11 5 A C1125 /sheet11 5 A C1126 /sheet11 4 B C1128 /sheet11 4 B C1129 /sheet11 4 A C1130 /sheet11 4 A C1131 /sheet11 8 C C1132 /sheet11 8 C C1133 /sheet11 8 C C1134 /sheet11 5 A C1136 /sheet11 8 D C1137 /sheet11 8 D C1138 /sheet11 9 C C1139 /sheet11 9 D C1140 /sheet11 7 B C1239 /sheet12 7 E C1240 /sheet12 9 C C1241 /sheet12 7 E C1250 /sheet12 6 C C1251 /sheet12 10 C C1252 /sheet12 7 D C1253 /sheet12 7 D C1254 /sheet12 7 D C1255 /sheet12 8 D C1256 /sheet12 7 D C1257 /sheet12 7 D C1258 /sheet12 7 D C1259 /sheet12 8 D C1260 /sheet12 7 E C1261 /sheet12 7 E C1262 /sheet12 8 E C1263 /sheet12 8 D C1264 /sheet12 8 D C1301 /sheet13 3 A C1302 /sheet13 4 A C1303 /sheet13 4 A C1304-2 /sheet13 2 B C1304-1 /sheet13 2 B C1305 /sheet13 2 B C1306-1 /sheet13 3 B C1306-2 /sheet13 3 B C1308 /sheet13 3 D C1311 /sheet13 4 D C1312 /sheet13 4 D C1314 /sheet13 4 D C1315-2 /sheet13 1 B C1315-1 /sheet13 1 B C1316 /sheet13 7 C C1317 /sheet13 3 E C1318-1 /sheet13 1 B C1318-2 /sheet13 1 B C1319 /sheet13 4 E C1321 /sheet13 2 E C1322 /sheet13 2 E C1323 /sheet13 1 E C1324 /sheet13 1 E | C1325 /sheet13 3 E C1326 /sheet13 3 F C1327 /sheet13 3 F C1328 /sheet13 3 F C1329-1 /sheet13 6 A C1329-2 /sheet13 6 A C1330-2 /sheet13 6 A C1330-1 /sheet13 6 A C1331-1 /sheet13 6 A C1331-2 /sheet13 7 A C1332-2 /sheet13 7 A C1332-1 /sheet13 7 A C1333 /sheet13 6 E C1334 /sheet13 6 E C1336-2 /sheet13 11 C C1336-1 /sheet13 10 C C1338 /sheet13 8 A C1340 /sheet13 7 C C1341 /sheet13 10 B C1344 /sheet13 8 B C1345 /sheet13 6 B C1346 /sheet13 7 E C1347 /sheet13 7 E C1348 /sheet13 7 E C1349 /sheet13 4 E C1350 /sheet13 7 F C1351 /sheet13 7 F C1352 /sheet13 11 B C1353 /sheet13 8 F C1354 /sheet13 11 A C1355 /sheet13 11 C C1357 /sheet13 10 C C1358 /sheet13 12 B C1359 /sheet13 11 A C1360 /sheet13 10 G C1361 /sheet13 10 F C1362 /sheet13 11 F C1363 /sheet13 11 C C1364-1 /sheet13 7 C C1364-2 /sheet13 7 C C1365 /sheet13 6 E C1366 /sheet13 6 E C1367-1 /sheet13 7 C C1367-2 /sheet13 7 C C1371 /sheet13 4 A C1372 /sheet13 4 A C1373 /sheet13 4 A C1374 /sheet13 4 D C1381 /sheet13 3 E C1382 /sheet13 3 E C1383 /sheet13 2 E C1384 /sheet13 2 E C1385 /sheet13 1 E C1386 /sheet13 1 E C1387 /sheet13 2 E C1388 /sheet13 3 E C1389 /sheet13 3 E C1391 /sheet13 6 E C1392 /sheet13 8 E C1393 /sheet13 8 E C1399 /sheet13 6 E C1400 /sheet14 5 D C1402 /sheet14 6 D C1403 /sheet14 5 D C1405 /sheet14 6 D C1501 /sheet15 7 B C1502 /sheet15 8 B C1504 /sheet15 2 A C1506 /sheet15 9 B C1507 /sheet15 5 A C1510 /sheet15 7 B C1511 /sheet15 7 B C1512 /sheet15 7 B C1513 /sheet15 8 B C1514 /sheet15 9 B C1523 /sheet15 5 A C1524 /sheet15 4 B C1525 /sheet15 4 B C1526 /sheet15 4 B C1541 /sheet15 4 B C1549 /sheet15 10 B C1604 /sheet16 9 D C1605 /sheet16 9 D C1705 /sheet17 5 C C1706 /sheet17 7 C C1708 /sheet17 5 B C1709 /sheet17 5 C | C1901 /sheet19 5 B C1902 /sheet19 5 C C1904 /sheet19 5 C C2100 /sheet21 5 C C2102 /sheet21 6 C C2320 /sheet23 5 B C2321 /sheet23 7 C C2330 /sheet23 3 D C2331 /sheet23 5 D C2720 /sheet27 2 D C2721 /sheet27 2 D C2723 /sheet27 2 B C2724 /sheet27 2 B C2750 /sheet27 8 B C2751 /sheet27 9 B C2752 /sheet27 9 B C2753 /sheet27 9 B C2754 /sheet27 9 B C2755 /sheet27 10 D C2756 /sheet27 9 D C2757 /sheet27 9 D C2759 /sheet27 8 E C2760 /sheet27 8 E C2761 /sheet27 7 A C2769 /sheet27 8 E C2770 /sheet27 8 E C2771 /sheet27 7 A C2772 /sheet27 7 A C2773 /sheet27 6 A C2774 /sheet27 6 A C2775 /sheet27 6 A C2776 /sheet27 6 A C2777 /sheet27 5 A C2778 /sheet27 5 A C2779 /sheet27 5 A C2780 /sheet27 5 A C2781 /sheet27 4 A C2782 /sheet27 7 A C2801 /sheet28 3 D C2802 /sheet28 7 A C2803 /sheet28 9 B C3251 /sheet32 9 C C3252 /sheet32 4 C C3253 /sheet32 4 C C3254 /sheet32 9 C C3255 /sheet32 3 C C3256 /sheet32 8 C C3512 /sheet35 6 C C3513 /sheet35 6 D C3514 /sheet35 7 D C3515 /sheet35 8 D C3534 /sheet35 8 C C3803 /sheet38 6 C C3804 /sheet38 6 C C3805 /sheet38 9 D C3806 /sheet37 13 D C3807 /sheet37 13 C C3808 /sheet37 15 C C3809 /sheet37 15 C C3810 /sheet37 7 D C3818 /sheet37 8 A C3819 /sheet37 7 A C3822 /sheet37 12 B C3829 /sheet37 12 B C3832 /sheet37 6 F C3857 /sheet37 5 F C3859 /sheet37 6 F C3861 /sheet37 5 F C3862 /sheet37 8 D C3863 /sheet37 8 D C3868 /sheet37 8 D C3871 /sheet37 8 D C3901 /sheet39 5 B C3902 /sheet39 5 A C3904 /sheet39 4 B C3905 /sheet39 5 B C3906 /sheet39 5 B C3907 /sheet39 3 C C3908 /sheet39 4 C C3909 /sheet39 3 C C3910 /sheet39 4 C C3911 /sheet39 2 C C3912 /sheet39 2 C C3914 /sheet39 8 B C3915 /sheet39 7 B C3916 /sheet39 3 C C3917 /sheet39 4 D | C3918 /sheet39 4 D C3919 /sheet39 4 D C3920 /sheet39 4 D C3921 /sheet39 2 E C3922 /sheet39 4 E C3923 /sheet39 4 F C3924 /sheet39 5 F C3927 /sheet39 5 D C3928 /sheet39 6 D C3929 /sheet39 6 D C3931 /sheet39 5 F C3932 /sheet39 3 C C3933 /sheet39 3 C C3940 /sheet39 9 D C3941 /sheet39 9 C C3942 /sheet39 9 D C3943 /sheet39 10 D C3944 /sheet39 8 B C3949 /sheet39 10 B C3950 /sheet39 11 D C3951 /sheet39 11 D C3952 /sheet39 4 B C3953 /sheet39 2 B C3954 /sheet39 2 C C3961 /sheet39 11 C C3962 /sheet39 13 C C3963 /sheet39 13 C C3964 /sheet39 13 C C3965 /sheet39 14 C C3966 /sheet39 14 C C3970 /sheet39 2 B C3971 /sheet39 3 B C4900 /sheet49 5 A C4901 /sheet49 5 C C4902 /sheet49 7 B C4904 /sheet49 8 B C4905 /sheet49 8 B C4906 /sheet49 8 D C5100 /sheet51 4 B C5101 /sheet51 4 B C5102 /sheet51 2 A C5104 /sheet51 7 C C5106 /sheet51 5 B C5108 /sheet51 5 B C5111 /sheet51 7 C C5112 /sheet51 6 C C5113 /sheet51 9 C C5117 /sheet51 2 A C5120 /sheet51 3 A C5121 /sheet51 8 D C5122 /sheet51 7 D C5130 /sheet51 1 A C5149 /sheet51 10 C C5400 /sheet54 5 A C5401 /sheet54 6 A C5402 /sheet54 7 A C5403 /sheet54 8 A C5404 /sheet54 8 A C5405 /sheet54 9 A C5406 /sheet54 10 A C5407 /sheet54 10 A C5408 /sheet54 11 A C5409 /sheet54 6 A C5410 /sheet54 1 C C5411 /sheet54 3 C C5412 /sheet54 3 C C5413 /sheet54 3 A C5414 /sheet54 3 A C5415 /sheet54 9 A C5416 /sheet54 2 E C5417 /sheet54 10 A C5418 /sheet54 3 F C5420 /sheet54 3 G C5421 /sheet54 3 G C5422 /sheet54 3 G C5423 /sheet54 3 G C5424 /sheet54 4 A C5425 /sheet54 13 A D1000-2 /sheet11 3 D D1000-1 /sheet10 12 F D1250 /sheet12 5 E D1300 /sheet13 4 F D1360 /sheet13 10 E D1361 /sheet13 11 E D5100 /sheet51 2 D D5400 /sheet54 4 E | L1300 /sheet13 3 B L1301 /sheet13 11 A L1302 /sheet13 11 C L1303 /sheet13 2 B L1320 /sheet13 8 C L1321 /sheet13 8 C L1331 /sheet13 10 C L1345 /sheet13 8 E L1346 /sheet13 8 E L1503 /sheet15 9 B L1504 /sheet15 9 B L1591 /sheet15 10 B L3819 /sheet37 7 A L3901 /sheet39 2 B L3902 /sheet39 2 C L3903 /sheet39 5 E L3904 /sheet39 5 D L3905 /sheet39 2 C L3906 /sheet39 5 D L5101 /sheet51 9 B L5102 /sheet51 8 D L5103 /sheet51 7 C L5104 /sheet51 7 C L5105 /sheet51 7 C N1330 /sheet13 10 C N3500 /sheet35 7 D N3800 /sheet37 10 B N3801 /sheet37 7 F N3911 /sheet39 4 C N5400 /sheet54 2 C R1005 /sheet10 3 E R1006 /sheet10 2 F R1007 /sheet10 2 E R1008 /sheet10 7 G R1009 /sheet10 7 G R1012 /sheet10 9 A R1014 /sheet10 12 B R1018 /sheet10 14 B R1021 /sheet10 15 B R1022 /sheet10 15 F R1023 /sheet10 15 G R1024 /sheet10 15 D R1025 /sheet10 15 D R1048 /sheet10 2 A R1041 /sheet10 2 A R1045 /sheet10 2 B R1046 /sheet10 2 B R1060 /sheet10 8 B R1061 /sheet10 8 B R1062 /sheet10 8 B R1071 /sheet10 14 D R1100 /sheet11 3 C R1130 /sheet11 6 A R1250 /sheet12 7 E R1251 /sheet12 7 B R1252 /sheet12 7 B R1254 /sheet12 9 B R1255 /sheet12 7 B R1300 /sheet13 4 B R1302 /sheet13 3 B R1303 /sheet13 8 B R1308 /sheet13 3 D R1309 /sheet13 7 D R1318 /sheet13 1 A R1320 /sheet13 8 C R1331 /sheet13 3 B R1340 /sheet13 12 B R1341 /sheet13 11 B R1342 /sheet13 10 B R1343 /sheet13 11 B R1344 /sheet13 11 G R1345 /sheet13 12 C R1353 /sheet13 9 G R1360 /sheet13 12 F R1361 /sheet13 12 F R1399 /sheet13 6 C R1500 /sheet15 5 C R1501 /sheet15 6 C R1502 /sheet15 6 C R1505 /sheet15 5 C R1508 /sheet15 8 B R1512 /sheet15 6 A R1524 /sheet15 9 B R1525 /sheet15 10 B R1530 /sheet15 9 D R1531 /sheet15 9 E R1532 /sheet15 9 E | R1614 /sheet16 9 C R1901 /sheet19 6 C R1902 /sheet19 6 C R1926 /sheet19 7 C R1927 /sheet19 6 C R2310 /sheet23 5 B R2311 /sheet23 6 C R2331 /sheet23 3 D R2332 /sheet23 4 D R2750 /sheet27 8 D R2751 /sheet27 8 D R2752 /sheet27 8 D R2753 /sheet27 8 D R2754 /sheet27 8 D R2755 /sheet27 8 D R2756 /sheet27 8 D R2757 /sheet27 8 C R2758 /sheet27 8 C R2759 /sheet27 8 C R2760 /sheet27 8 C R2761 /sheet27 8 C R2762 /sheet27 8 C R2763 /sheet27 4 D R2764 /sheet27 8 C R2765 /sheet27 8 C R2766 /sheet27 8 C R2767 /sheet27 8 C R2802 /sheet28 7 A R2803 /sheet28 8 B R3251 /sheet32 3 C R3252 /sheet32 8 C R3253 /sheet32 8 B R3254 /sheet32 8 C R3255 /sheet32 3 C R3256 /sheet32 3 B R3539 /sheet35 6 E R3540 /sheet35 9 B R3541 /sheet35 9 B R3542 /sheet35 9 B R3543 /sheet35 9 B R3544 /sheet35 9 B R3545 /sheet35 9 B R3546 /sheet35 4 B R3547 /sheet35 10 C R3548 /sheet35 9 B R3549 /sheet35 9 B R3550 /sheet35 10 C R3553 /sheet35 4 B R3554 /sheet35 4 B R3801 /sheet38 9 D R3802 /sheet37 7 D R3805 /sheet37 13 D R3806 /sheet37 14 C R3812 /sheet37 10 D R3813 /sheet37 11 D R3814 /sheet37 12 D R3815 /sheet37 12 D R3816 /sheet37 4 E R3827 /sheet37 3 E R3833 /sheet37 13 B R3834 /sheet37 13 A R3901 /sheet39 4 F R3902 /sheet39 3 D R3903 /sheet39 4 D R3904 /sheet39 4 D R3905 /sheet39 4 F R3916 /sheet39 6 D R3917 /sheet39 6 D R3922 /sheet39 6 B R3923 /sheet39 6 B R3924 /sheet39 7 B R3925 /sheet39 9 D R3950 /sheet39 2 F R3951 /sheet39 3 F R3952 /sheet39 3 E R3961 /sheet39 13 B | R3962 /sheet39 13 C R3963 /sheet39 13 C R3964 /sheet39 14 C R3965 /sheet39 14 C R3966 /sheet39 15 C R3967 /sheet39 15 C R3970 /sheet39 9 C R4900 /sheet49 4 B R4901 /sheet49 4 C R4902 /sheet49 5 C R4903 /sheet49 7 B R4904 /sheet49 7 C R4905 /sheet49 6 C R4906 /sheet49 6 C R4907 /sheet49 8 C R4908 /sheet49 8 D R4909 /sheet49 6 D R5101 /sheet51 5 B R5103 /sheet51 2 C R5110 /sheet51 9 C R5111 /sheet51 9 C R5122 /sheet51 8 D R5126 /sheet51 2 D R5400 /sheet54 10 A R5407 /sheet54 4 E R5408 /sheet54 4 E R5409 /sheet54 13 E R5410 /sheet54 13 E R5411 /sheet54 13 E R5414 /sheet54 7 G R5415 /sheet54 6 G R5416 /sheet54 3 E R5417 /sheet54 2 F R5418 /sheet54 2 E R5419 /sheet54 2 E S3251 /sheet32 8 C S3252 /sheet32 4 C TP5199 /sheet51 10 B TP5101 /sheet51 10 C TP3901 /sheet39 6 C TP3802 /sheet37 3 E TP1306 /sheet13 8 B TP1327 /sheet13 11 A TP1309 /sheet13 8 B TP1301 /sheet13 4 C TP1317 /sheet13 8 B TP1334 /sheet13 7 C TP1355 /sheet13 11 B TP1302 /sheet13 3 D TP4900 /sheet49 8 B TP3502 /sheet35 8 D TP2301 /sheet23 5 D TP2302 /sheet23 7 C TP1701 /sheet17 7 B TP1702 /sheet17 7 C TP1250 /sheet12 7 B TP1016 /sheet10 4 D TP1020 /sheet10 4 D TP1013 /sheet10 14 A TP1017 /sheet10 4 D TP1019 /sheet10 4 D TP1021 /sheet10 4 D TP1014 /sheet10 15 B TP1018 /sheet10 4 D V1301 /sheet13 6 A V1302 /sheet13 11 A V1303 /sheet13 11 C V1304 /sheet13 10 B V1305-2 /sheet13 10 G V1305-1 /sheet13 10 G V1400 /sheet14 5 C V1701-1 /sheet17 6 C V1701-2 /sheet17 6 C V2100 /sheet21 5 B V2302 /sheet23 6 C V2330 /sheet23 4 D | V2800 /sheet28 8 B V2802 /sheet28 3 C V2803 /sheet28 3 C V2804 /sheet28 3 B V2805 /sheet28 3 B V3961 /sheet39 13 C V3962 /sheet39 12 B V4901 /sheet49 5 B V4902 /sheet49 7 B V4903 /sheet49 7 C V4904 /sheet49 8 D X1000 /sheet10 2 G X1300 /sheet13 3 H X1400 /sheet14 4 C X1504 /sheet15 1 B X1603 /sheet16 4 A X1604 /sheet16 2 C X2750 /sheet27 3 D X3500 /sheet35 7 C X3800 /sheet38 9 C X3801 /sheet38 6 C X3810 /sheet37 1 F X5100 /sheet51 1 E Z1000 /sheet10 2 F Z1501 /sheet15 9 F Z1601 /sheet16 5 C Z3961 /sheet39 13 C Z5100 /sheet51 9 C | | | |
| B | C1099 /sheet10 15 E C1010 /sheet10 15 E C1011 /sheet10 12 B C1012 /sheet10 15 B C1013 /sheet10 14 F C1014 /sheet10 15 F C1021 /sheet10 11 B C1022 /sheet10 11 B C1038 /sheet10 3 D C1039 /sheet10 14 C C1040 /sheet10 3 F C1070 /sheet10 9 A C1071 /sheet10 10 A C1072 /sheet10 11 A C1073 /sheet10 10 A C1074 /sheet10 10 B C1075 /sheet10 10 B C1076 /sheet10 10 A C1077 /sheet10 10 B C1110 /sheet11 4 A C1120 /sheet11 7 B C1121 /sheet11 7 B C1122 /sheet11 6 A C1123 /sheet11 6 A C1124 /sheet11 5 A C1125 /sheet11 5 A C1126 /sheet11 4 B C1128 /sheet11 4 B C1129 /sheet11 4 A C1130 /sheet11 4 A C1131 /sheet11 8 C C1132 /sheet11 8 C C1133 /sheet11 8 C C1134 /sheet11 5 A C1136 /sheet11 8 D C1137 /sheet11 8 D C1138 /sheet11 9 C C1139 /sheet11 9 D C1140 /sheet11 7 B C1239 /sheet12 7 E C1240 /sheet12 9 C C1241 /sheet12 7 E C1250 /sheet12 6 C C1251 /sheet12 10 C C1252 /sheet12 7 D C1253 /sheet12 7 D C1254 /sheet12 7 D C1255 /sheet12 8 D C1256 /sheet12 7 D C1257 /sheet12 7 D C1258 /sheet12 7 D C1259 /sheet12 8 D C1260 /sheet12 7 E C1261 /sheet12 7 E C1262 /sheet12 8 E C1263 /sheet12 8 D C1264 /sheet12 8 D C1301 /sheet13 3 A C1302 /sheet13 4 A C1303 /sheet13 4 A C1304-2 /sheet13 2 B C1304-1 /sheet13 2 B C1305 /sheet13 2 B C1306-1 /sheet13 3 B C1306-2 /sheet13 3 B C1308 /sheet13 3 D C1311 /sheet13 4 D C1312 /sheet13 4 D C1314 /sheet13 4 D C1315-2 /sheet13 1 B C1315-1 /sheet13 1 B C1316 /sheet13 7 C C1317 /sheet13 3 E C1318-1 /sheet13 1 B C1318-2 /sheet13 1 B C1319 /sheet13 4 E C1321 /sheet13 2 E C1322 /sheet13 2 E C1323 /sheet13 1 E C1324 /sheet13 1 E | C1325 /sheet13 3 E C1326 /sheet13 3 F C1327 /sheet13 3 F C1328 /sheet13 3 F C1329-1 /sheet13 6 A C1329-2 /sheet13 6 A C1330-2 /sheet13 6 A C1330-1 /sheet13 6 A C1331-1 /sheet13 6 A C1331-2 /sheet13 7 A C1332-2 /sheet13 7 A C1332-1 /sheet13 7 A C1333 /sheet13 6 E C1334 /sheet13 6 E C1336-2 /sheet13 11 C C1336-1 /sheet13 10 C C1338 /sheet13 8 A C1340 /sheet13 7 C C1341 /sheet13 10 B C1344 /sheet13 8 B C1345 /sheet13 6 B C1346 /sheet13 7 E C1347 /sheet13 7 E C1348 /sheet13 7 E C1349 /sheet13 4 E C1350 /sheet13 7 F C1351 /sheet13 7 F C1352 /sheet13 11 B C1353 /sheet13 8 F C1354 /sheet13 11 A C1355 /sheet13 11 C C1357 /sheet13 10 C C1358 /sheet13 12 B C1359 /sheet13 11 A C1360 /sheet13 10 G C1361 /sheet13 10 F C1362 /sheet13 11 F C1363 /sheet13 11 C C1364-1 /sheet13 7 C C1364-2 /sheet13 7 C C1365 /sheet13 6 E C1366 /sheet13 6 E C1367-1 /sheet13 7 C C1367-2 /sheet13 7 C C1371 /sheet13 4 A C1372 /sheet13 4 A C1373 /sheet13 4 A C1374 /sheet13 4 D C1381 /sheet13 3 E C1382 /sheet13 3 E C1383 /sheet13 2 E C1384 /sheet13 2 E C1385 /sheet13 1 E C1386 /sheet13 1 E C1387 /sheet13 2 E C1388 /sheet13 3 E C1389 /sheet13 3 E C1391 /sheet13 6 E C1392 /sheet13 8 E C1393 /sheet13 8 E C1399 /sheet13 6 E C1400 /sheet14 5 D C1402 /sheet14 6 D C1403 /sheet14 5 D C1405 /sheet14 6 D C1501 /sheet15 7 B C1502 /sheet15 8 B C1504 /sheet15 2 A C1506 /sheet15 9 B C1507 /sheet15 5 A C1510 /sheet15 7 B C1511 /sheet15 7 B C1512 /sheet15 7 B C1513 /sheet15 8 B C1514 /sheet15 9 B C1523 /sheet15 5 A C1524 /sheet15 4 B C1525 /sheet15 4 B C1526 /sheet15 4 B C1541 /sheet15 4 B C1549 /sheet15 10 B C1604 /sheet16 9 D C1605 /sheet16 9 D C1705 /sheet17 5 C C1706 /sheet17 7 C C1708 /sheet17 5 B C1709 /sheet17 5 C | C1901 /sheet19 5 B C1902 /sheet19 5 C C1904 /sheet19 5 C C2100 /sheet21 5 C C2102 /sheet21 6 C C2320 /sheet23 5 B C2321 /sheet23 7 C C2330 /sheet23 3 D C2331 /sheet23 5 D C2720 /sheet27 2 D C2721 /sheet27 2 D C2723 /sheet27 2 B C2724 /sheet27 2 B C2750 /sheet27 8 B C2751 /sheet27 9 B C2752 /sheet27 9 B C2753 /sheet27 9 B C2754 /sheet27 9 B C2755 /sheet27 10 D C2756 /sheet27 9 D C2757 /sheet27 9 D C2759 /sheet27 8 E C2760 /sheet27 8 E C2761 /sheet27 7 A C2769 /sheet27 8 E C2770 /sheet27 8 E C2771 /sheet27 7 A C2772 /sheet27 7 A C2773 /sheet27 6 A C2774 /sheet27 6 A C2775 /sheet27 6 A C2776 /sheet27 6 A C2777 /sheet27 5 A C2778 /sheet27 5 A C2779 /sheet27 5 A C2780 /sheet27 5 A C2781 /sheet27 4 A C2782 /sheet27 7 A C2801 /sheet28 3 D C2802 /sheet28 7 A C2803 /sheet28 9 B C3251 /sheet32 9 C C3252 /sheet32 4 C C3253 /sheet32 4 C C3254 /sheet32 9 C C3255 /sheet32 3 C C3256 /sheet32 8 C C3512 /sheet35 6 C C3513 /sheet35 6 D C3514 /sheet35 7 D C3515 /sheet35 8 D C3534 /sheet35 8 C C3803 /sheet38 6 C C3804 /sheet38 6 C C3805 /sheet38 9 D C3806 /sheet37 13 D C3807 /sheet37 13 C C3808 /sheet37 15 C C3809 /sheet37 15 C C3810 /sheet37 7 D C3818 /sheet37 8 A C3819 /sheet37 7 A C3822 /sheet37 12 B C3829 /sheet37 12 B C3832 /sheet37 6 F C3857 /sheet37 5 F C3859 /sheet37 6 F C3861 /sheet37 5 F C3862 /sheet37 8 D | | | | | | | | |

Proprietary data, company confidential.
All rights reserved

Als Betriebsgeheimnis anvertraut
Alle Rechte vorbehalten

TABLE_OF_CONTENTS_HYDRA

| PAGE | BLOCK | STATUS |
|------|-----------------------------------|--------|
| 1 | TABLE OF CONTENTS PROJECT | |
| 4 | DEFINITION OF HIT POINTS | |
| 10 | SGOLD2 | |
| 11 | SGOLD2 SUPPLY DOMAIN | |
| 12 | SDRAM FLASH | |
| 13 | MOZART / TWIGO | |
| 14 | BATTERY CONNECTOR | |
| 15 | IO-CONNECTOR | |
| 16 | SIM-CONNECTOR | |
| 17 | SPEAKER SOLUTION 1 | |
| 19 | MICROPHONE CIRCUIT 1 | |
| 21 | VIBRA | |
| 23 | DISPLAY/ KEYPAD BACKLIGHT CONTROL | |
| 27 | MMI CONNECTOR - SIDE KEYS | |
| 28 | KEYPAD BACKLIGHT | |
| 30 | KEYPAD FOR SLIDER | |
| 32 | OPEN/CLOSE DETECTION | |
| 35 | CAMERA INTERFACE | |
| 37 | ANTENNA CIRCUIT with small PA | |
| 38 | ANTENNA CIRCUIT with small PA | |
| 39 | RF HITACHI BRIGHT | |
| 49 | LED FLASHLIGHT | |
| 51 | BLUETOOTH SOLUTION 2 | |
| 54 | AUDIO VIDEO INTERFACE | |

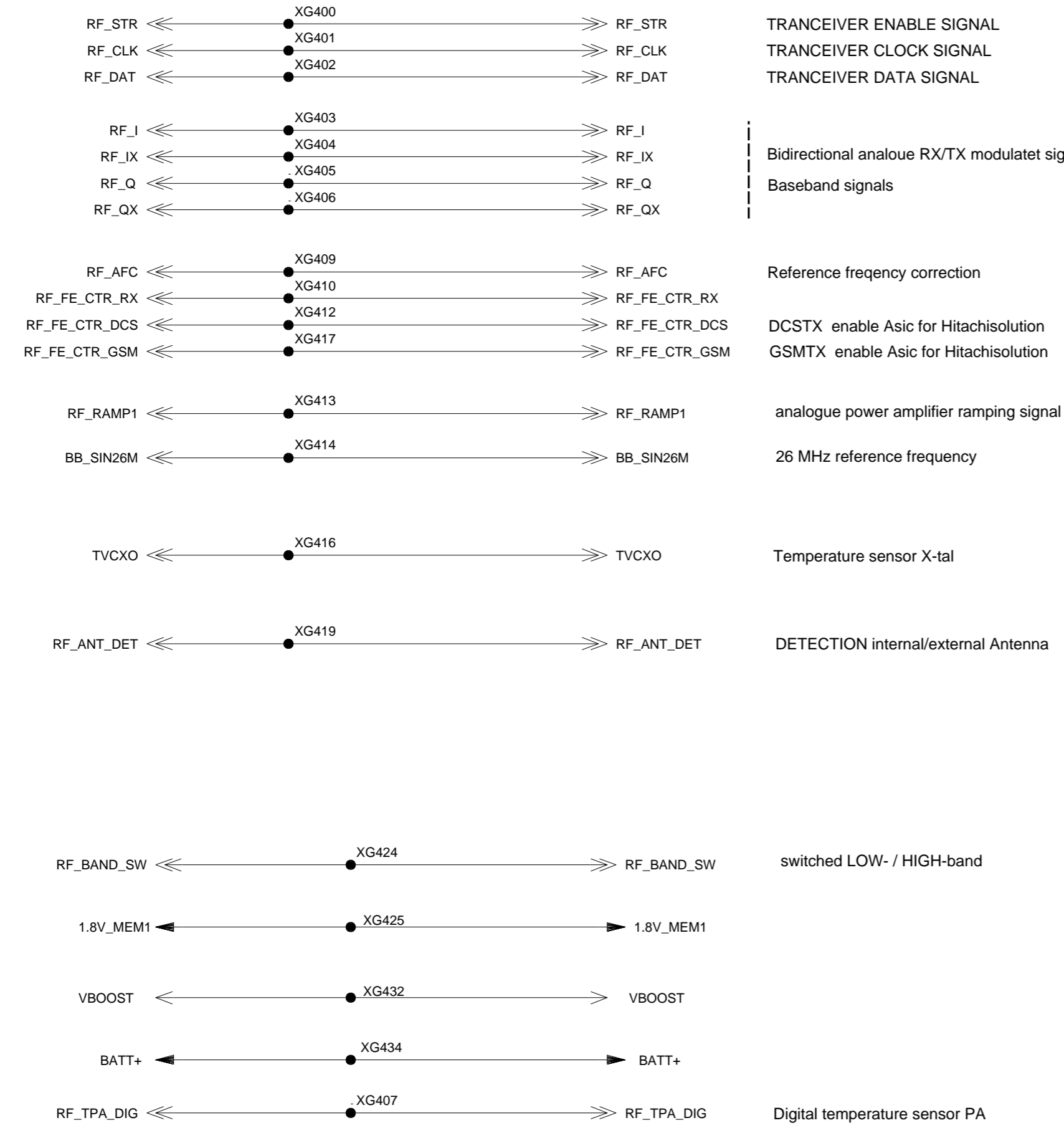
| | | | | | | | |
|-------|---------------|------------|------|---|------------|---|--------|
| | | | | DATE | 19.05.2005 | G75 HYDRA MAIN B2.2 Variant V1 TOP HIERARCHY LEVEL SCHEMATIC | 1:1 |
| | | | | USER | Braendskov | | |
| | | | | APPR'D | | | |
| | | | | COM MD PD HW4 AAL | | | |
| | | | | Siemens AG | | 184376 | sheet1 |
| 1 | 28983 | 04.07.2005 | olh | | | | |
| VERS. | CHANGE NUMBER | DATE | NAME | (Created by BOM number: A5B00900192340-28983) | | | |

Proprietary data. Company confidential.
all rights reserved

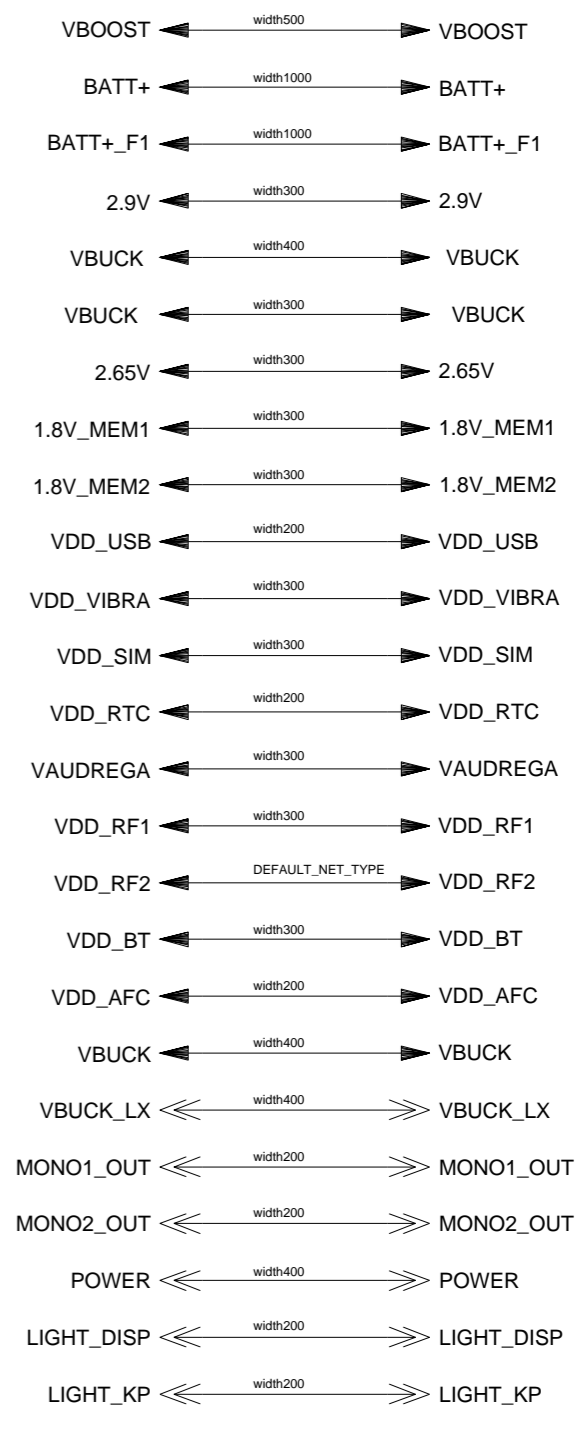
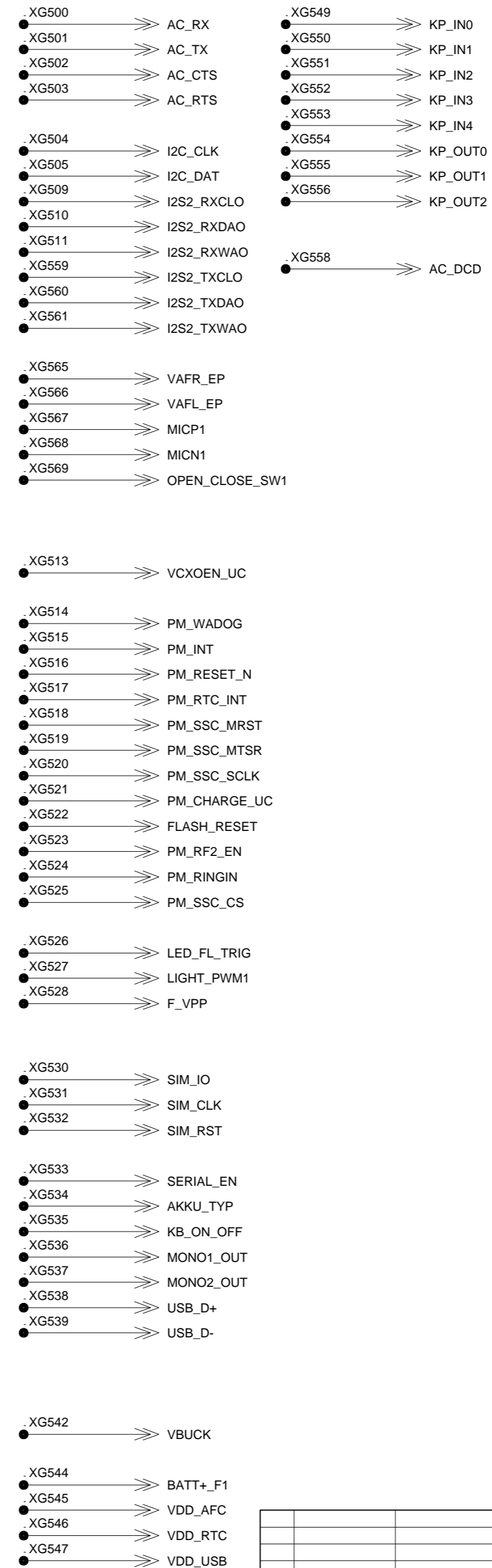
Als Betriebsgeheimnis anvertraut
alle Rechte vorbehalten

HIT_POINTS LOGIK/HF_PART_1

HIT_POINTS LOGIK/HF 400-449



HIT_POINTS LOGIK/BLUETOOTH

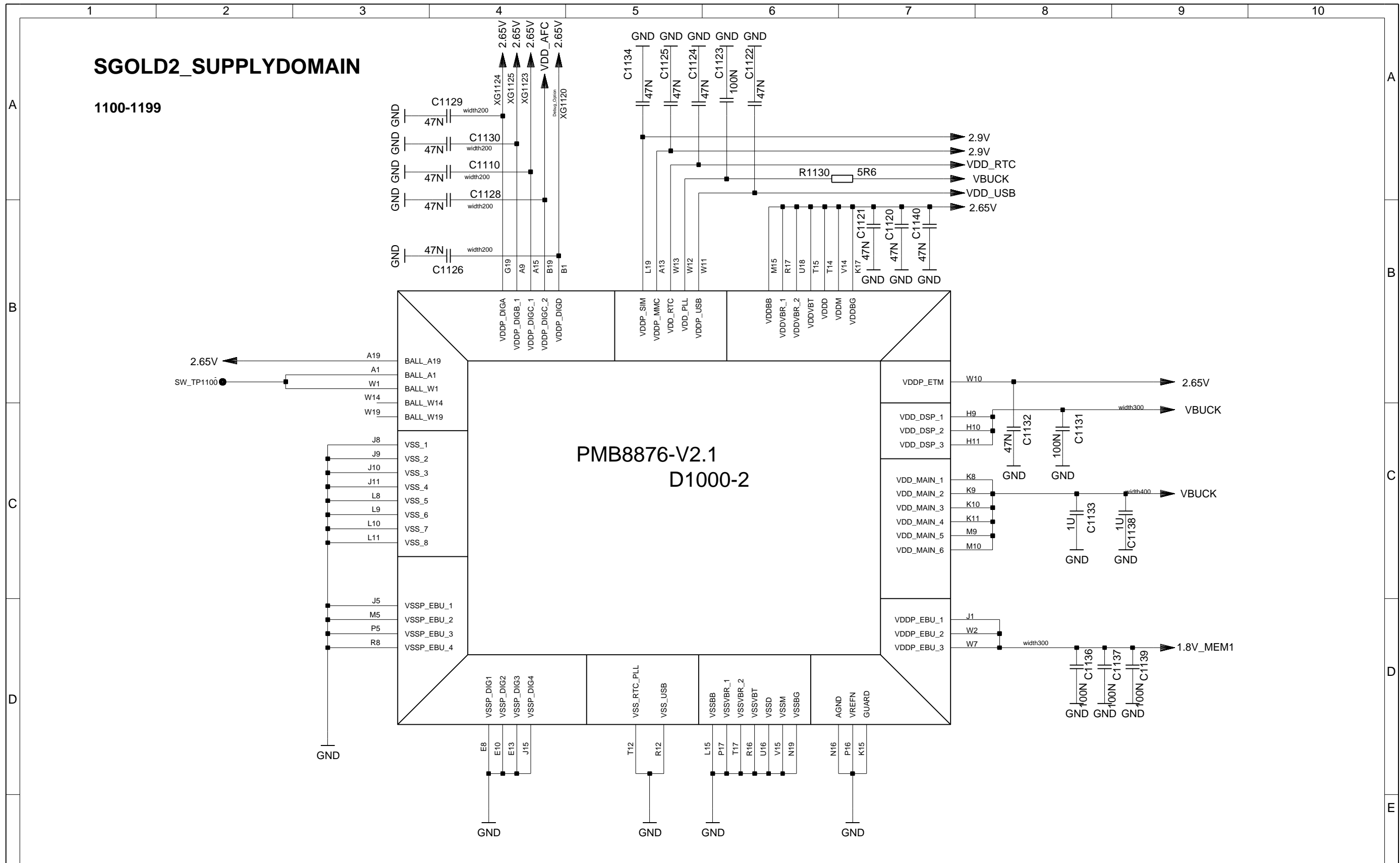


| | | | |
|-------------------|---------------|---|--------|
| DATE | 19.05.2005 | G75 HYDRA MAIN B2.2 Variant V1 TOP HIERARCHY LEVEL SCHEMATIC | 1:1 |
| USER | Braendskov | | |
| APPRD | | | |
| COM MD PD HW4 AAL | | Siemens AG | 184376 |
| 1 | 28983 | | |
| VERS. | CHANGE NUMBER | DATE | NAME |

(Created by BOM number: A5B00900192340-28983)

Proprietary data, company confidential.
All rights reserved

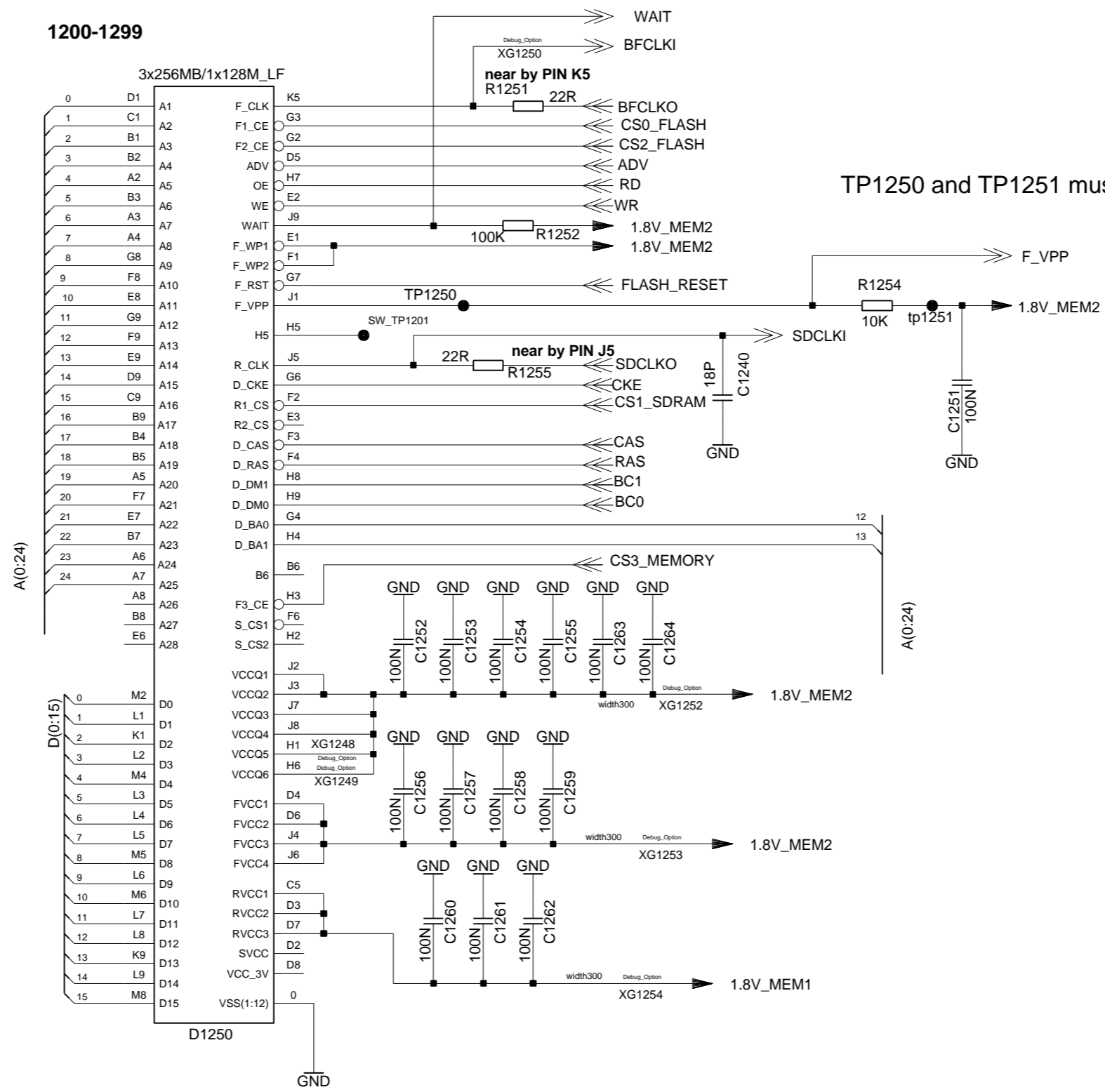
Als Betriebsgeheimnis anvertraut
Alle Rechte vorbehalten



| | | | |
|-------------------|---------------|---|---------|
| DATE | 19.05.2005 | G75 HYDRA MAIN B2.2 Variant V1 TOP HIERARCHY LEVEL SCHEMATIC | 1:1 |
| USER | Braendskov | | |
| APPR'D | | | |
| COM MD PD HW4 AAL | | | |
| Siemens AG | | 184376 | sheet11 |
| 1 | 28983 | 04.07.2005 | olh |
| VERS. | CHANGE NUMBER | DATE | NAME |

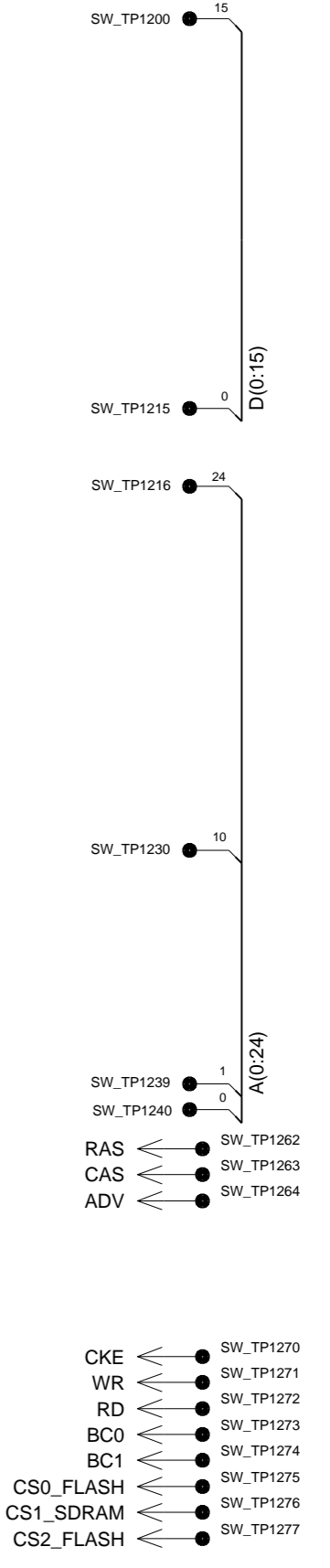
(Created by BOM number: A5B00900192340-28983)

FLASH SDRAM



TP1250 and TP1251 must be available without opening the mobile case

SW-TESTPUNKTE

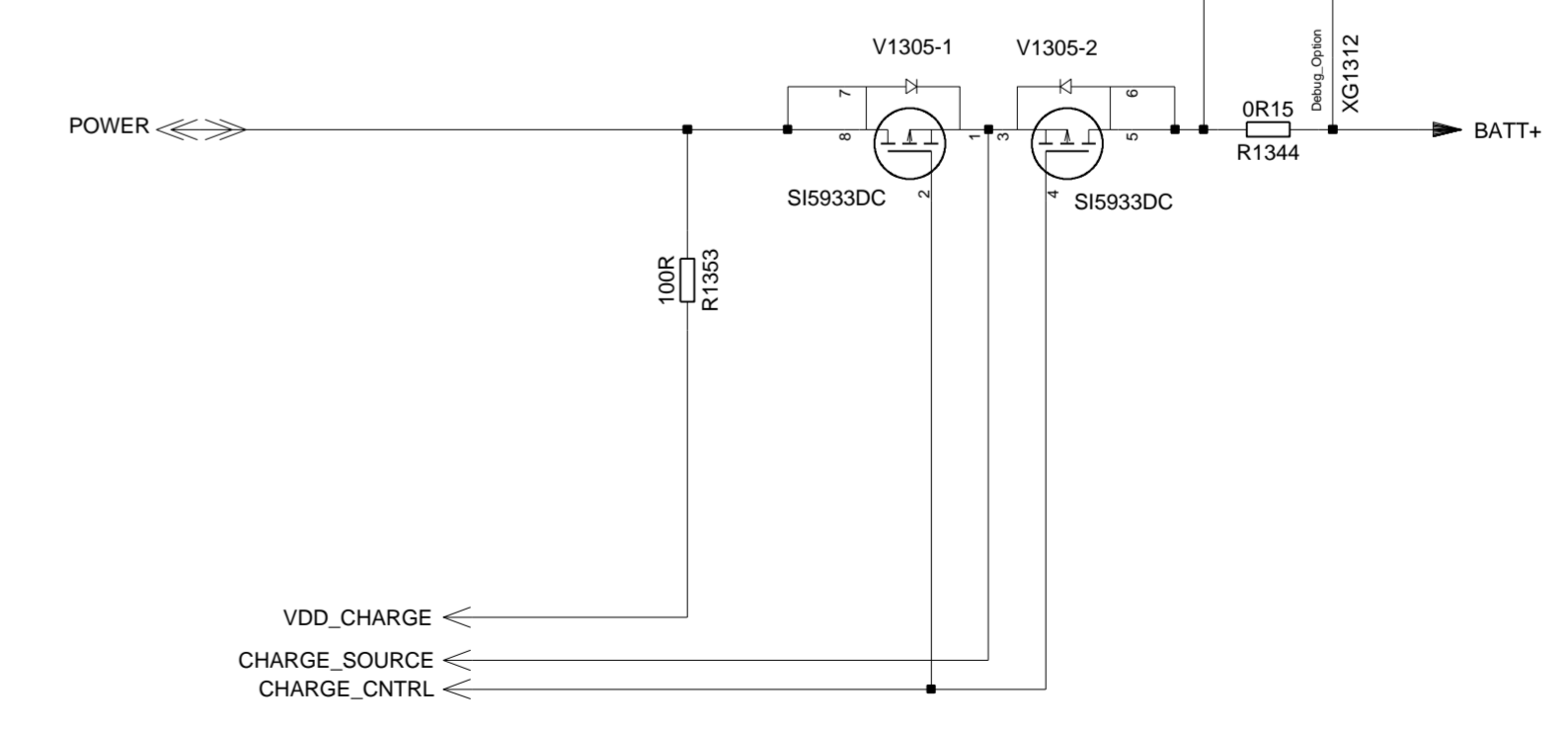
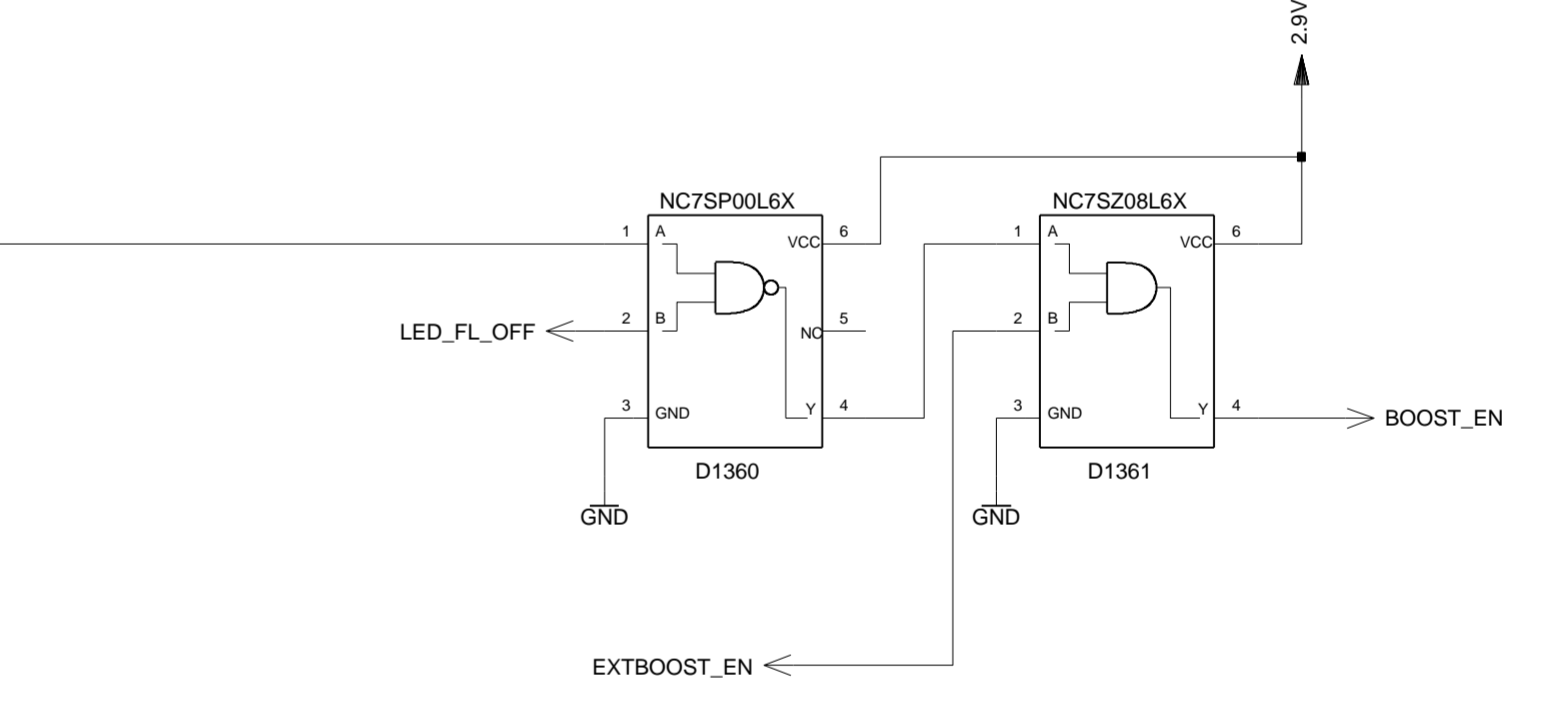
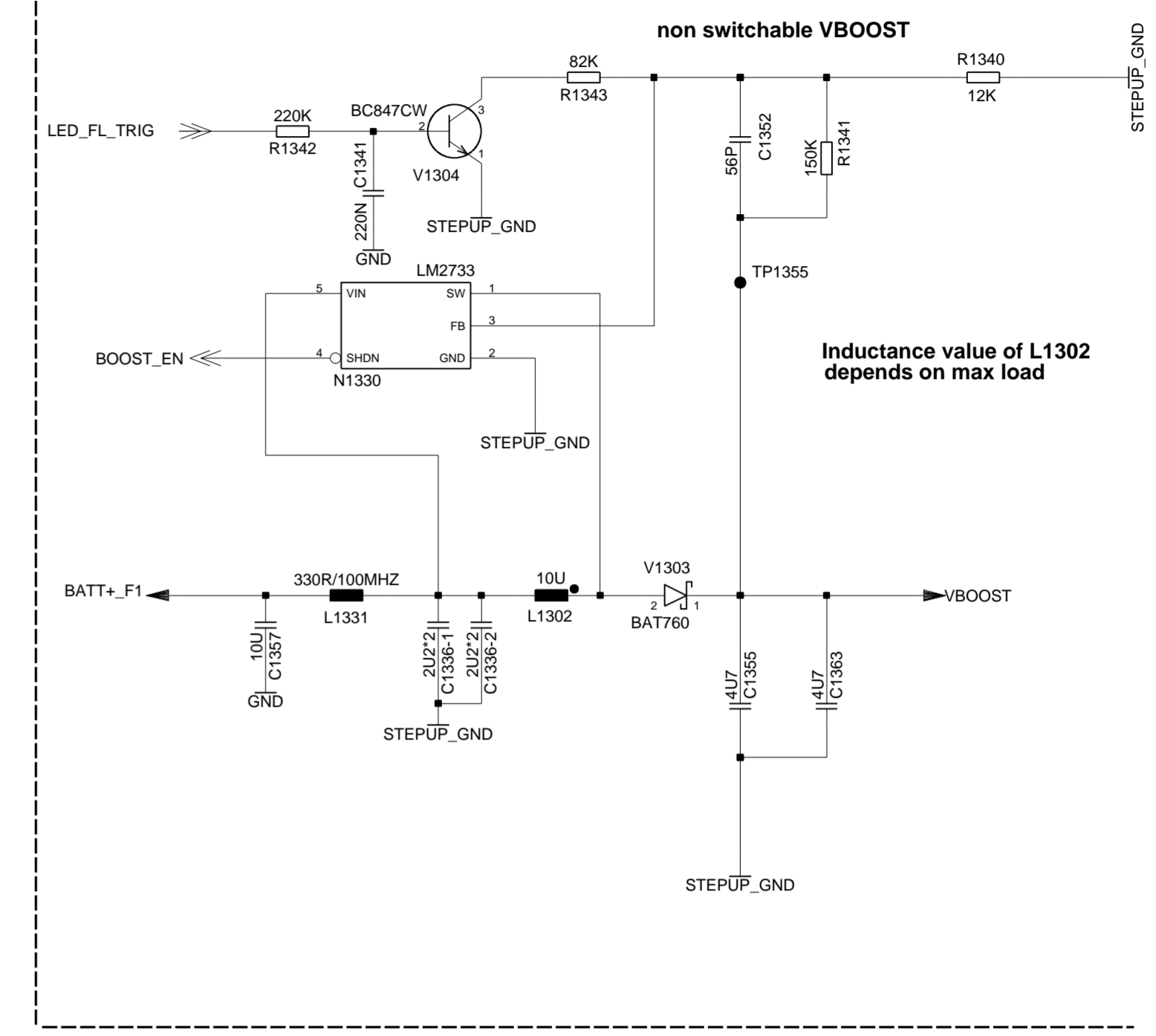
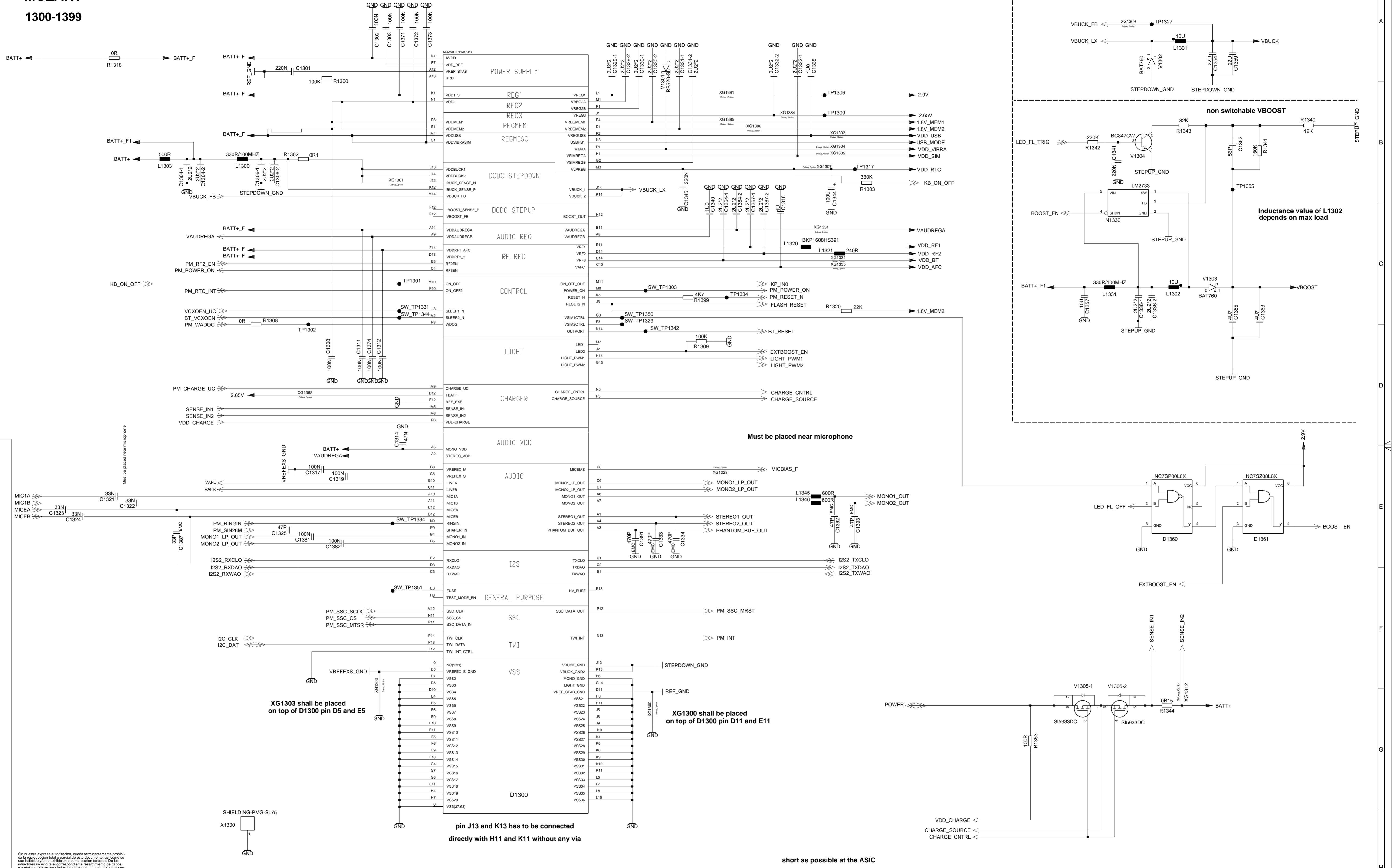


Layout Information:

- 1) place a capacitor (decoupling) to every power ball (VCC, VCCQ) as close as possible. There should be one capacitor for each ball.
- 2) connect the power plane as short as possible via the decoupling capacitor to the power ball.
- 3) connect ground as close as possible to the decoupling capacitor.
- 4) Please avoid branches by routing signals to more than one target (ball), this means for every signal expecting the power connectivity's. This is very important for the clock signals.
- 5) The BFCLKO & BFCLKI signal is a loop line from SGOLD2 to the Memory and back to SGOLD2. So avoid branches here as well. The same applies to SDCLKO & SDCLKI.

| | | | |
|---|---------------|---------------------|---------|
| DATE | 19.05.2005 | G75 HYDRA MAIN B2.2 | |
| USER | Braendskov | Variant V1 | |
| APPR'D | | TOP HIERARCHY LEVEL | 1:1 |
| | | SCHEMATIC | |
| COM MD PD HW4 AAL | | | |
| Siemens AG | | 184376 | sheet12 |
| 1 | 28983 | 04.07.2005 | olh |
| VERS. | CHANGE NUMBER | DATE | NAME |
| (Created by BOM number: A5B00900192340-28983) | | | |

MOZART
1300-1399

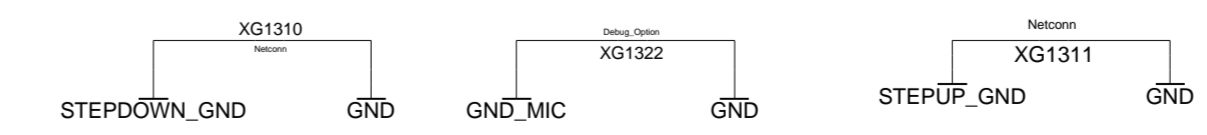


XG1303 shall be placed on top of D1300 pin D5 and E5

XG1300 shall be placed on top of D1300 pin D11 and E11

pin J13 and K13 has to be connected directly with H11 and K11 without any via

short as possible at the ASIC



sin nuestra expresa autorización, queda terminantemente prohibida la reproducción total o parcial de este documento, así como su uso indebido y/o su explotación o comunicación terceros. De los infractores se exigirá el correspondiente resarcimiento de daños y perjuicios. Se reserva todos los derechos para el caso de la concesión de patentes de invención o el registro de Modelos Industriales.

Copying of this document, and giving to others and the use or communication of the contents thereof, are forbidden without express authority. Offenders are liable to the payment of damages. All rights are reserved in the event of the grant of a Patent or the registration of a Utility Model or Design.

Wiedergabe sowie Weiterveröffentlichung dieses Urtextes, Verwertung und Mitteilung ihres Inhalts nicht gestattet, soweit nicht ausdrücklich zugestimmt. Zuwiderhandlungen Verursachen zu Schadensersatz. Alle Rechte für den Fall der Patentierung oder GM-Eintragung vorbehalten.

| | | | |
|------------------|---------------|---------------------|---------|
| DATE | 19.06.2005 | G75 HYDRA MAIN B2.2 | |
| USER | Braendskov | Variant V1 | |
| APPROD | | TOP HIERARCHY LEVEL | |
| | | SCHEMATIC | 1:1 |
| COM MD PD HW AAL | | | |
| Siemens AG | | 184376 | sheet13 |
| 1 | 28983 | 04.07.2005 | oh |
| VERS. | CHANGE NUMBER | DATE | NAME |

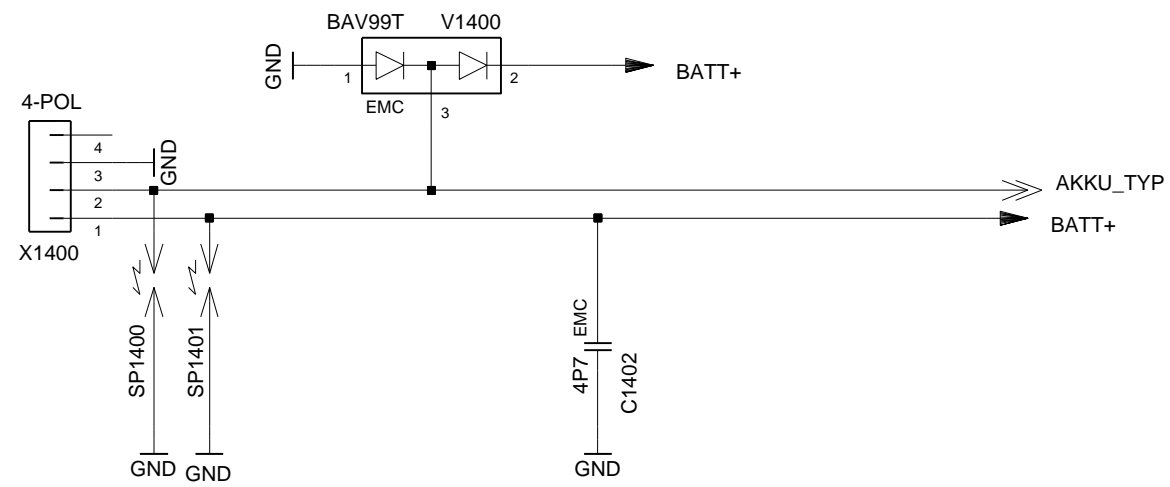
(Created by BOM number: ASB00900192340-28983)

Proprietary data, company confidential.
All rights reserved

Als Betriebsgeheimnis anvertraut
Alle Rechte vorbehalten

BATTERY_CONNECTOR

1400-1449



| | | | | | | | | |
|-------|---------------|------------|------|---|------------|---|--------|---------|
| | | | | DATE | 19.05.2005 | G75 HYDRA MAIN B2.2 Variant V1 TOP HIERARCHY LEVEL SCHEMATIC | 1:1 | |
| | | | | USER | Braendskov | | | |
| | | | | APPR'D | | | | |
| | | | | COM MD PD HW4 AAL | | | | |
| | | | | Siemens AG | | | 184376 | sheet14 |
| 1 | 28983 | 04.07.2005 | olh | | | | | |
| VERS. | CHANGE NUMBER | DATE | NAME | (Created by BOM number: A5B00900192340-28983) | | | | |

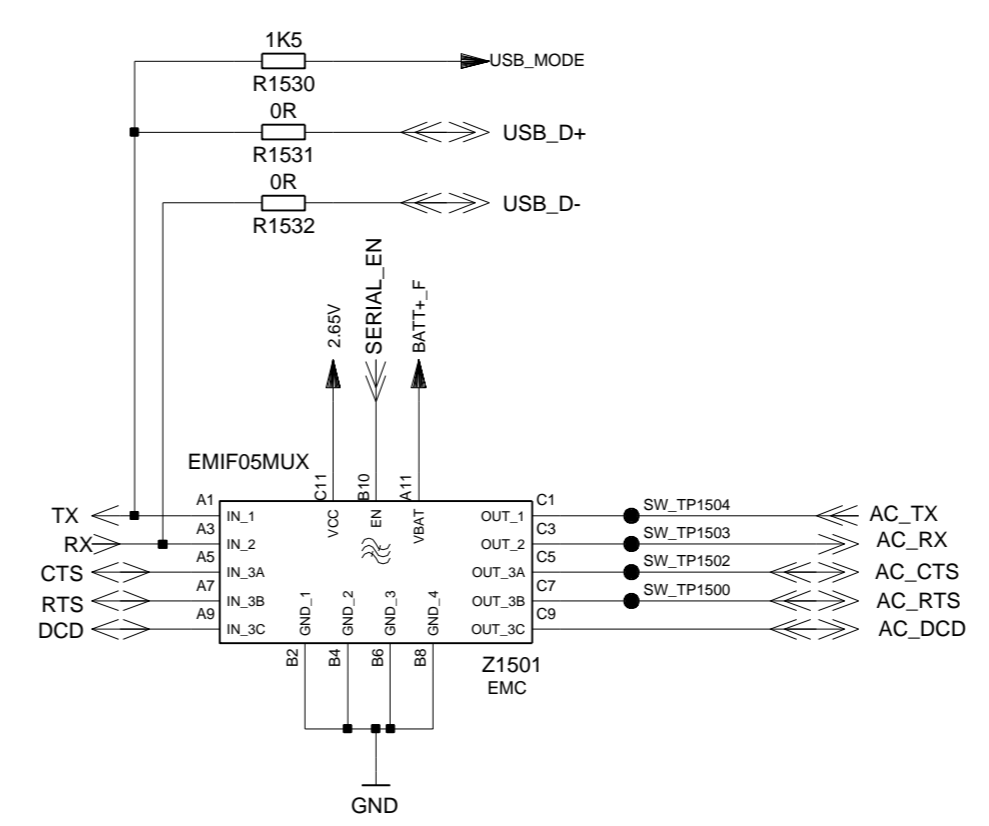
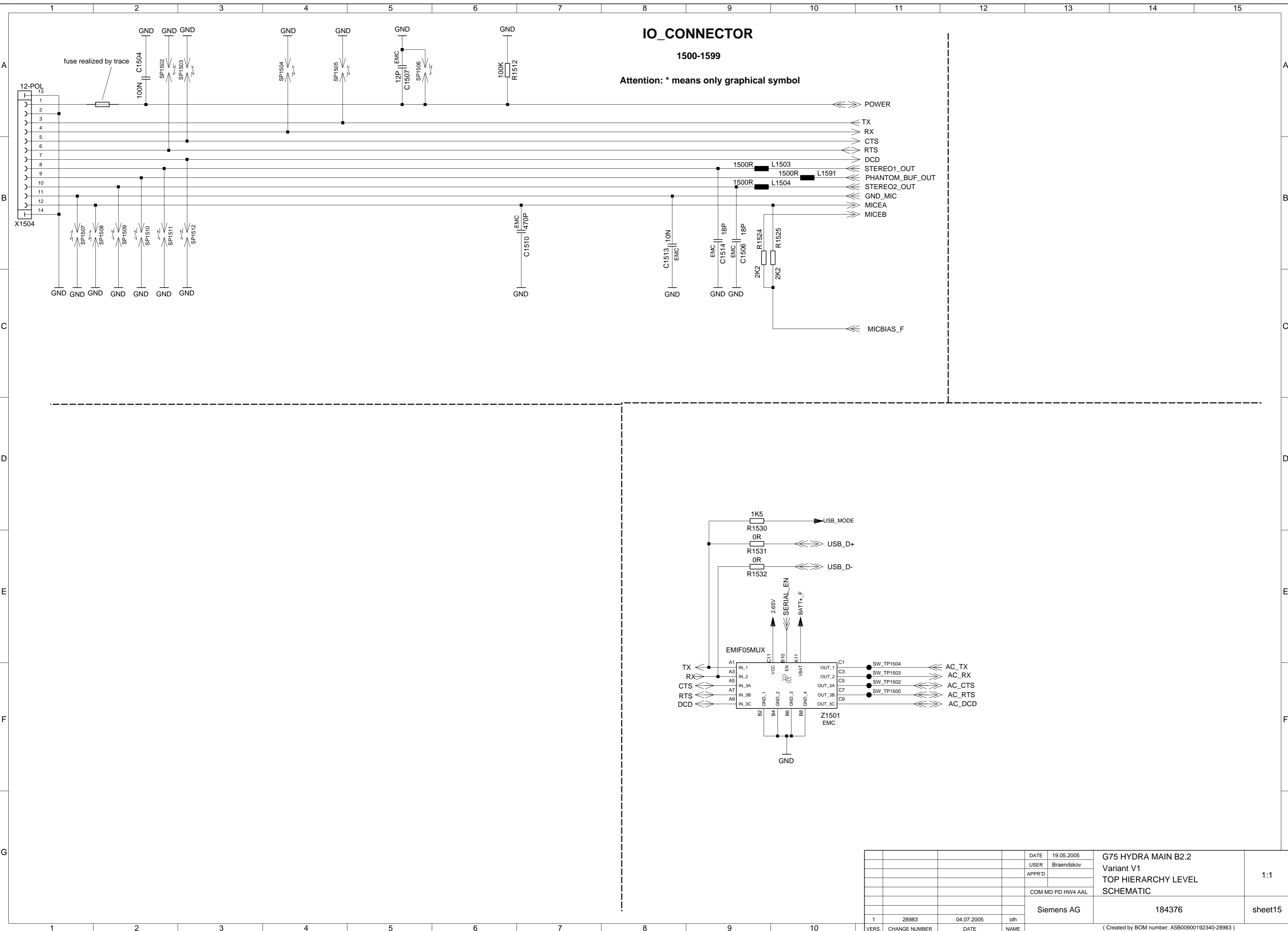
Proprietary data. Company confidential.
all rights reserved

Als Betriebsgeheimnis anvertraut
alle Rechte vorbehalten

IO_CONNECTOR

1500-1599

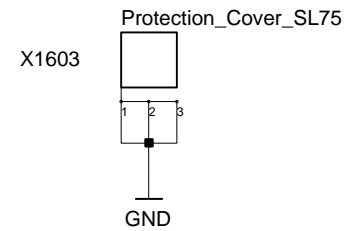
Attention: * means only graphical symbol



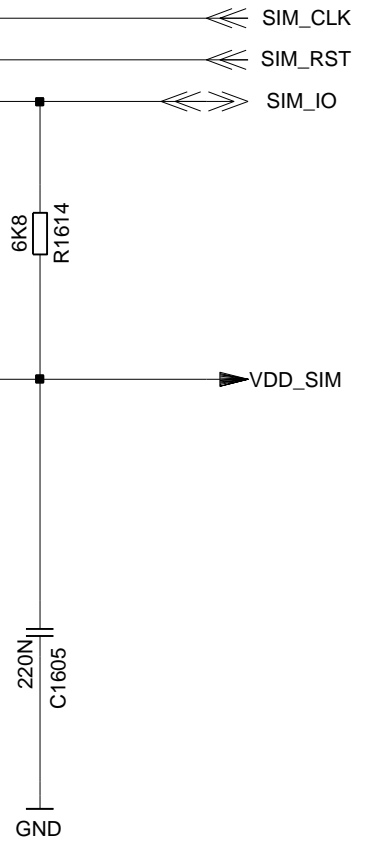
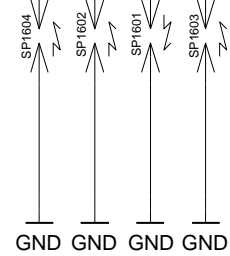
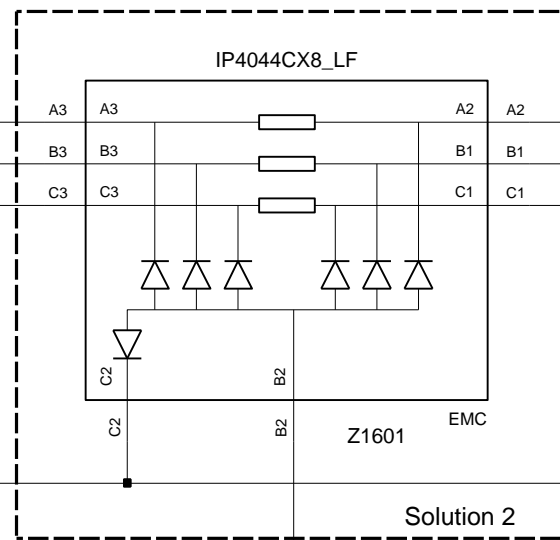
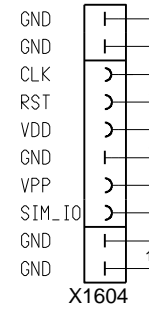
| | | | | |
|-------------------|---------------|---------------------|--------|---|
| DATE | 19.05.2005 | G75 HYDRA MAIN B2.2 | | |
| USER | Braendskov | Variant V1 | | |
| APPR'D | | TOP HIERARCHY LEVEL | | 1:1 |
| | | SCHEMATIC | | |
| COM MD PD HW4 AAL | | Siemens AG | 184376 | sheet15 |
| 1 | 28983 | 04.07.2005 | olh | |
| VERS. | CHANGE NUMBER | DATE | NAME | (Created by BOM number: A5B00900192340-28983) |

SIM_CONNECTOR

1600-1659



SIM_CARD_READER_R65



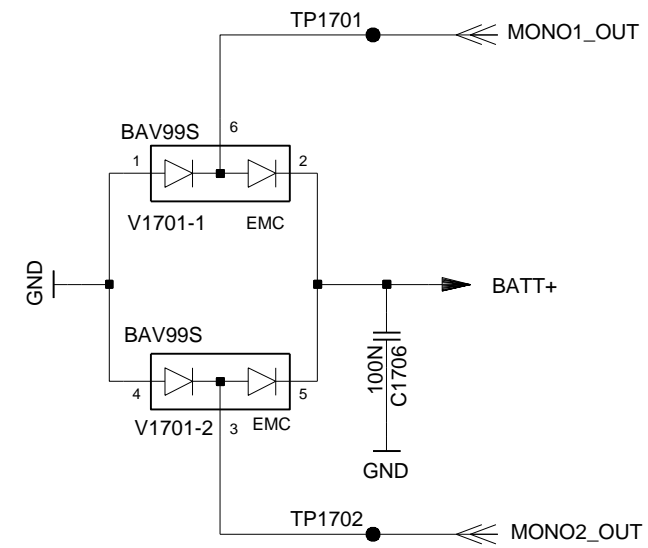
Proprietary data, company confidential.
All rights reserved

Als Betriebsgeheimnis anvertraut
Alle Rechte vorbehalten

| | | | | | | | | |
|-------|---------------|------------|------|---|------------|---|--------|---------|
| | | | | DATE | 19.05.2005 | G75 HYDRA MAIN B2.2 Variant V1 TOP HIERARCHY LEVEL SCHEMATIC | 1:1 | |
| | | | | USER | Braendskov | | | |
| | | | | APPR'D | | | | |
| | | | | COM MD PD HW4 AAL | | | | |
| | | | | Siemens AG | | | 184376 | sheet16 |
| 1 | 28983 | 04.07.2005 | olh | | | | | |
| VERS. | CHANGE NUMBER | DATE | NAME | (Created by BOM number: A5B00900192340-28983) | | | | |

SPEAKER_SOLUTION_1

1700-1759



Proprietary data, company confidential.
All rights reserved

Als Betriebsgeheimnis anvertraut
Alle Rechte vorbehalten

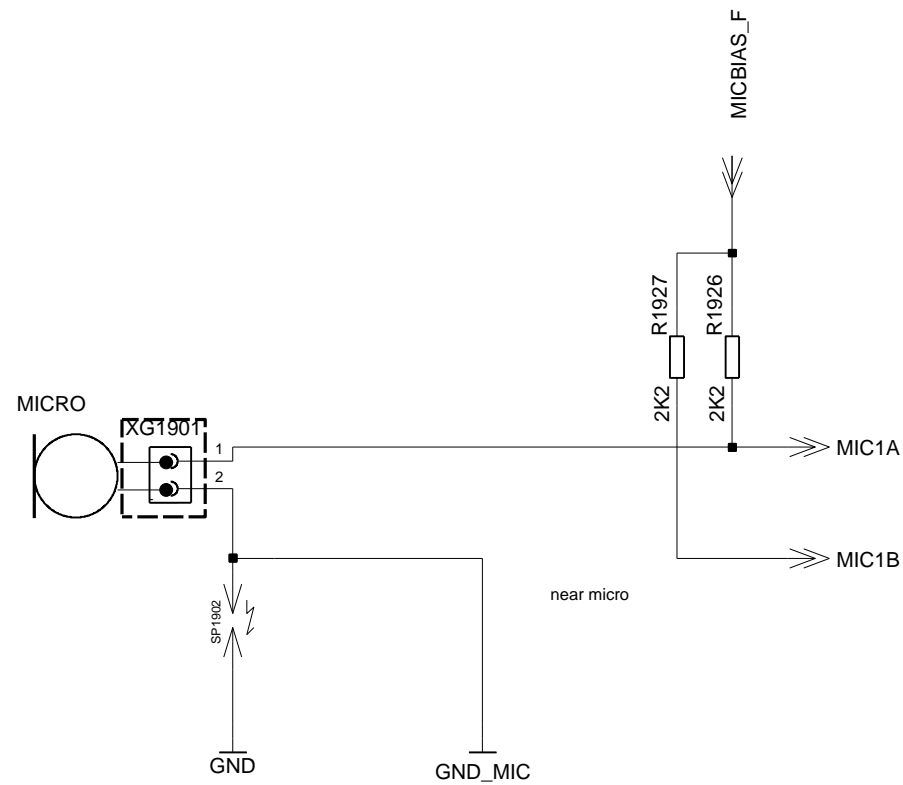
| | | | | | | | | |
|-------|---------------|------------|------|---|------------|---|--------|---------|
| | | | | DATE | 19.05.2005 | G75 HYDRA MAIN B2.2 Variant V1 TOP HIERARCHY LEVEL SCHEMATIC | 1:1 | |
| | | | | USER | Braendskov | | | |
| | | | | APPR'D | | | | |
| | | | | COM MD PD HW4 AAL | | | | |
| | | | | Siemens AG | | | 184376 | sheet17 |
| 1 | 28983 | 04.07.2005 | olh | | | | | |
| VERS. | CHANGE NUMBER | DATE | NAME | (Created by BOM number: A5B00900192340-28983) | | | | |

Proprietary data, company confidential.
All rights reserved

Als Betriebsgeheimnis anvertraut
Alle Rechte vorbehalten

MICROPHONE_CIRCUIT_1

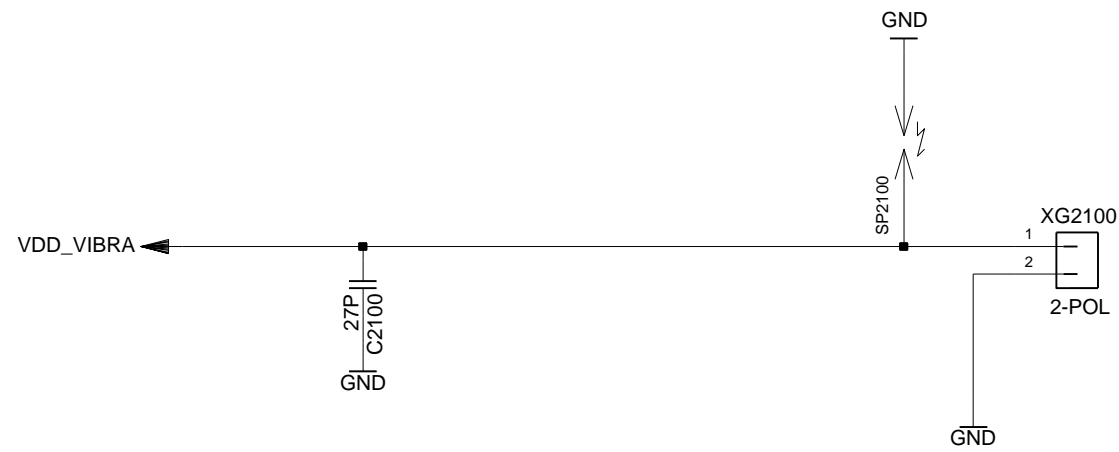
1900-1999



| | | | | | | | |
|-------|---------------|------------|------|---|------------|---|---------|
| | | | | DATE | 19.05.2005 | G75 HYDRA MAIN B2.2 Variant V1 TOP HIERARCHY LEVEL SCHEMATIC | 1:1 |
| | | | | USER | Braendskov | | |
| | | | | APPR'D | | | |
| | | | | COM MD PD HW4 AAL | | | |
| | | | | Siemens AG | | | 184376 |
| 1 | 28983 | 04.07.2005 | olh | | | | sheet19 |
| VERS. | CHANGE NUMBER | DATE | NAME | (Created by BOM number: A5B00900192340-28983) | | | |

VIBRA

2100-2125



Proprietary data, company confidential.
All rights reserved

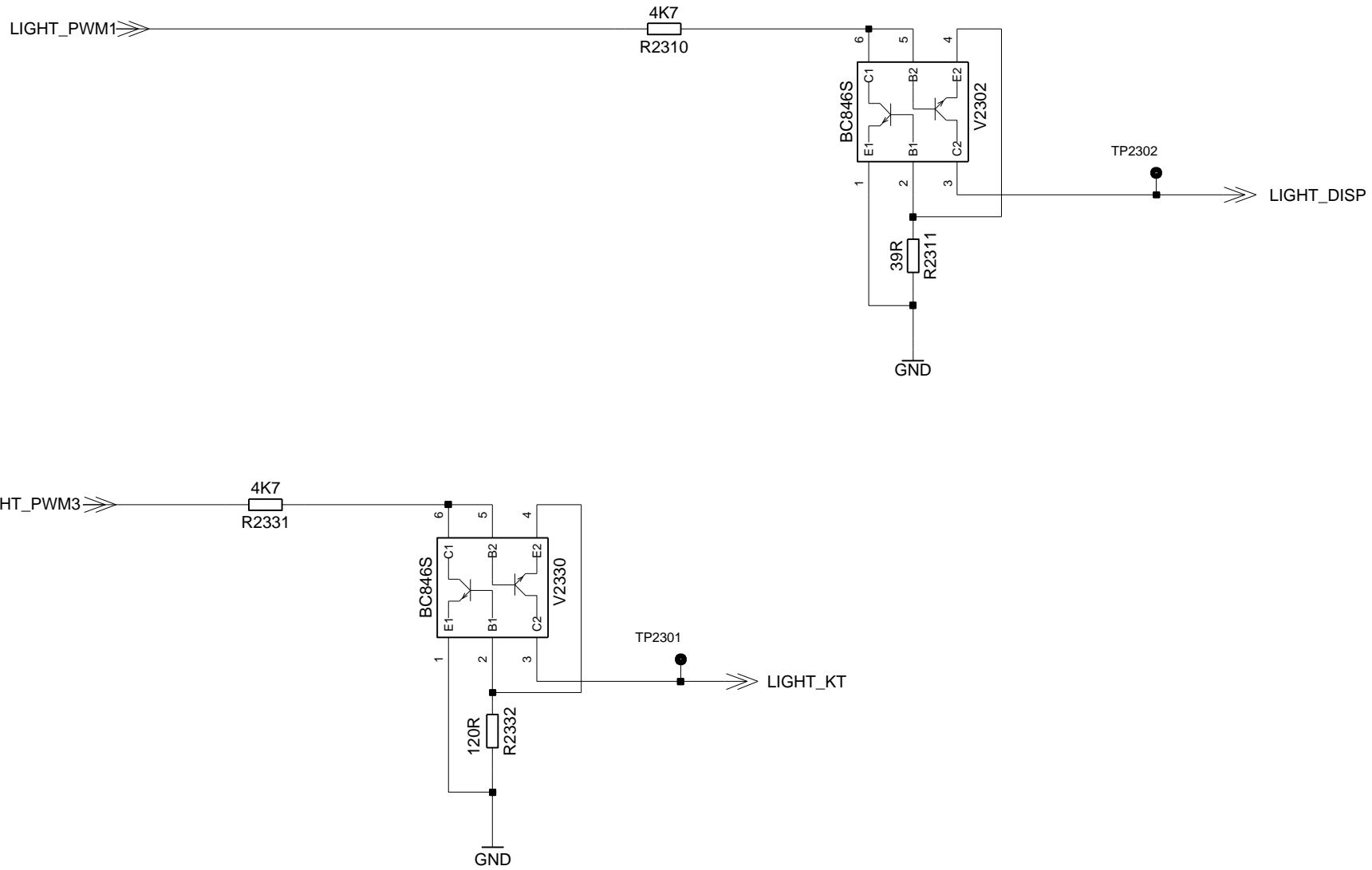
Als Betriebsgeheimnis anvertraut
Alle Rechte vorbehalten

| | | | | | | | |
|-------|---------------|------------|------|---|------------|---|---------|
| | | | | DATE | 19.05.2005 | G75 HYDRA MAIN B2.2 Variant V1 TOP HIERARCHY LEVEL SCHEMATIC | 1:1 |
| | | | | USER | Braendskov | | |
| | | | | APPR'D | | | |
| | | | | COM MD PD HW4 AAL | | | |
| | | | | Siemens AG | | 184376 | sheet21 |
| 1 | 28983 | 04.07.2005 | olh | | | | |
| VERS. | CHANGE NUMBER | DATE | NAME | (Created by BOM number: A5B00900192340-28983) | | | |

DISPLAY/ KEYPAD BACKLIGHT CONTROL

2300-2399

MAIN_DISPLAY



Proprietary data, company confidential.
All rights reserved

Als Betriebsgeheimnis anvertraut
Alle Rechte vorbehalten

| | | | | | | | |
|-------|---------------|------------|------|---|------------|---|---------|
| | | | | DATE | 19.05.2005 | G75 HYDRA MAIN B2.2 Variant V1 TOP HIERARCHY LEVEL SCHEMATIC | 1:1 |
| | | | | USER | Braendskov | | |
| | | | | APPR'D | | | |
| | | | | COM MD PD HW4 AAL | | | |
| | | | | Siemens AG | | | 184376 |
| 1 | 28983 | 04.07.2005 | olh | | | | sheet23 |
| VERS. | CHANGE NUMBER | DATE | NAME | (Created by BOM number: A5B00900192340-28983) | | | |

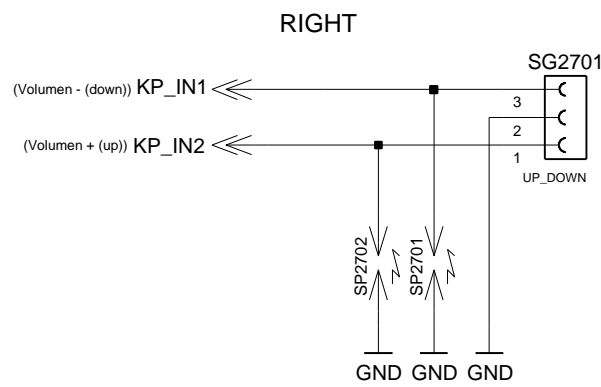
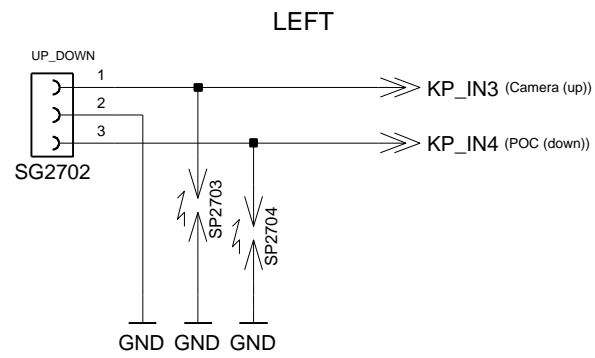
Proprietary data, company confidential.
All rights reserved

Als Betriebsgeheimnis anvertraut
Alle Rechte vorbehalten

MMI_CONNECTOR

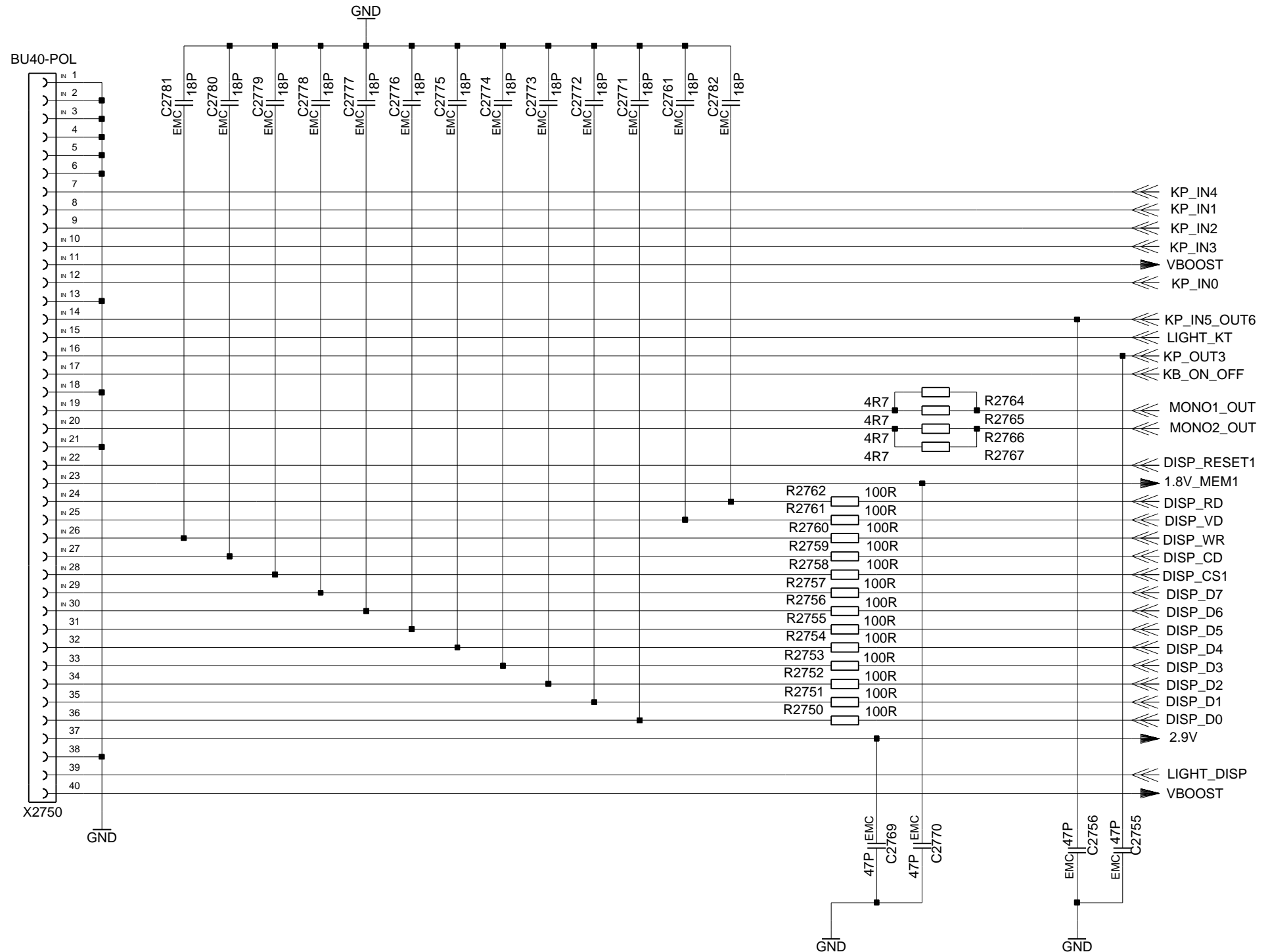
BOARD TO BOARD CONNECTOR

2700-2749



MMI-CONNECTOR SLIDER

2750-2799



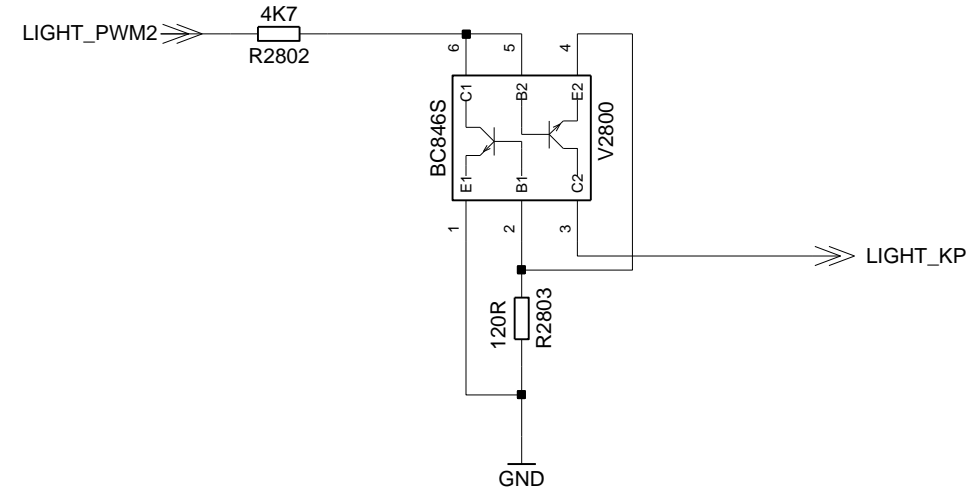
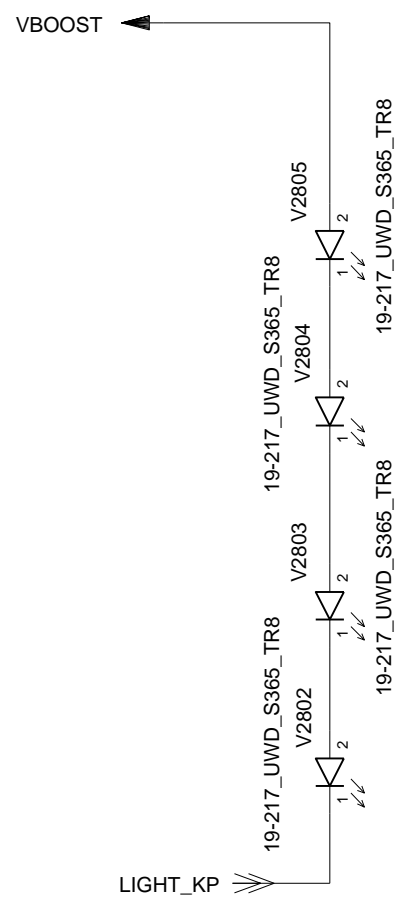
| | | | | |
|-------------------|---------------|---------------------|------|---|
| DATE | 19.05.2005 | G75 HYDRA MAIN B2.2 | | 1:1 |
| USER | Braendskov | Variant V1 | | |
| APPR'D | | TOP HIERARCHY LEVEL | | sheet27 |
| COM MD PD HW4 AAL | | SCHEMATIC | | |
| Siemens AG | | 184376 | | |
| 1 | 28983 | 04.07.2005 | olh | |
| VERS. | CHANGE NUMBER | DATE | NAME | (Created by BOM number: A5B00900192340-28983) |

Proprietary data, company confidential.
All rights reserved

Als Betriebsgeheimnis anvertraut
Alle Rechte vorbehalten

KEYPAD_BACKLIGHT

2800-2899



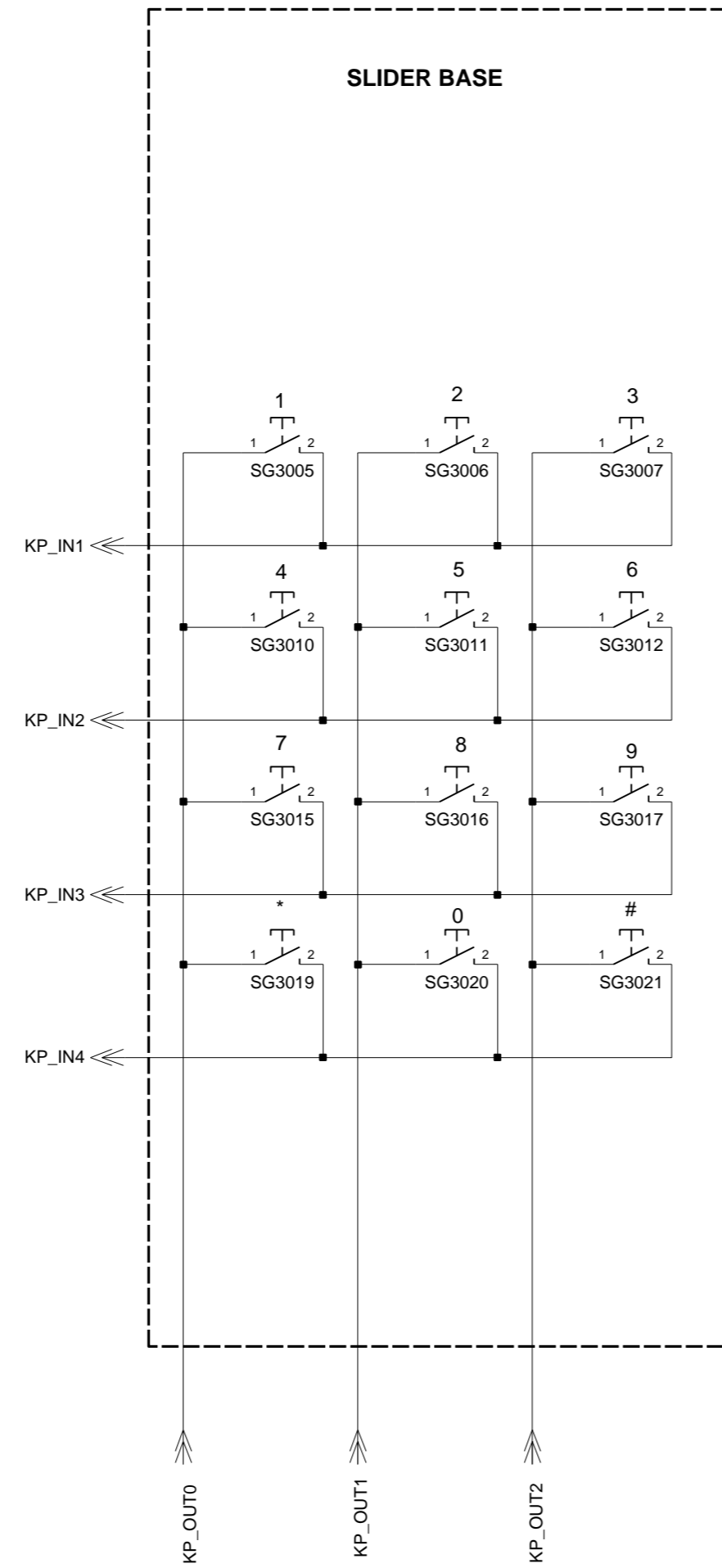
| | | | | | | | |
|-------|---------------|------------|------|---|------------|---|---------|
| | | | | DATE | 19.05.2005 | G75 HYDRA MAIN B2.2 Variant V1 TOP HIERARCHY LEVEL SCHEMATIC | 1:1 |
| | | | | USER | Braendskov | | |
| | | | | APPR'D | | | |
| | | | | COM MD PD HW4 AAL | | | |
| | | | | Siemens AG | | | 184376 |
| 1 | 28983 | 04.07.2005 | olh | | | | sheet28 |
| VERS. | CHANGE NUMBER | DATE | NAME | (Created by BOM number: A5B00900192340-28983) | | | |

Proprietary data. Company confidential.
all rights reserved

Als Betriebsgeheimnis anvertraut
alle Rechte vorbehalten

HYDRA SLIDER

3000-3049



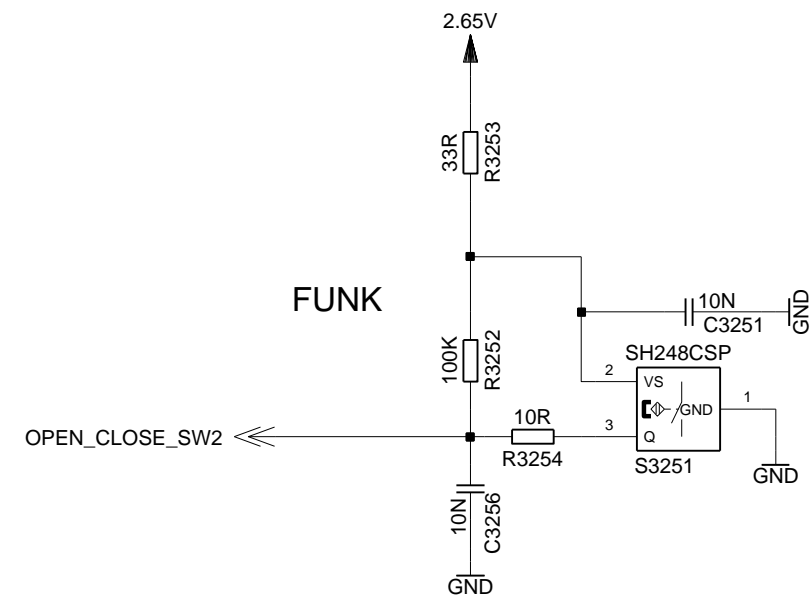
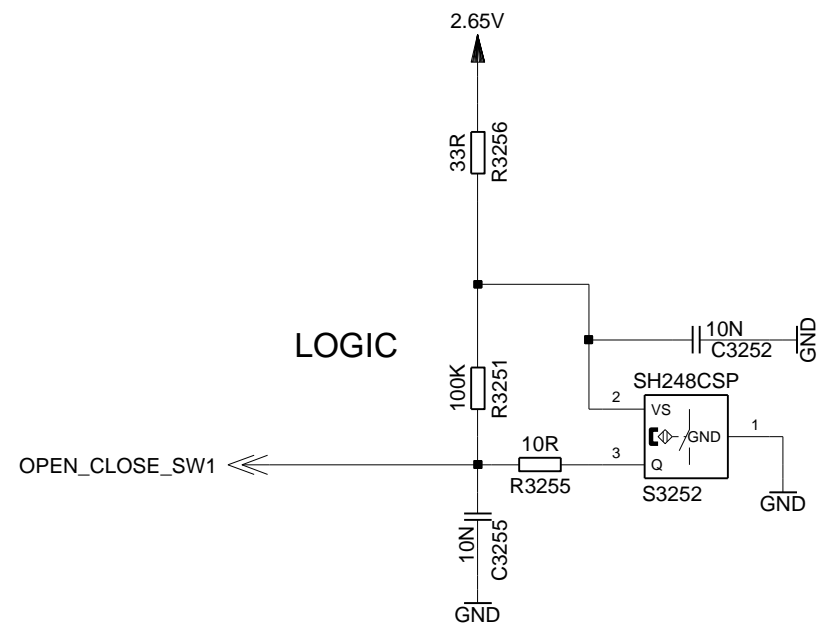
| | | | | | | |
|-------|---------------|------------|-------------------|---|---|-----|
| | | | DATE | 19.05.2005 | G75 HYDRA MAIN B2.2 Variant V1 TOP HIERARCHY LEVEL SCHEMATIC | 1:1 |
| | | USER | Braendskov | | | |
| | | APPR'D | | | | |
| | | | COM MD PD HW4 AAL | | | |
| | | | Siemens AG | 184376 | sheet30 | |
| 1 | 28983 | 04.07.2005 | olh | (Created by BOM number: A5B00900192340-28983) | | |
| VERS. | CHANGE NUMBER | DATE | NAME | | | |

Proprietary data, company confidential.
All rights reserved

Als Betriebsgeheimnis anvertraut
Alle Rechte vorbehalten

OPEN_CLOSE_DETECTION

3200-3299



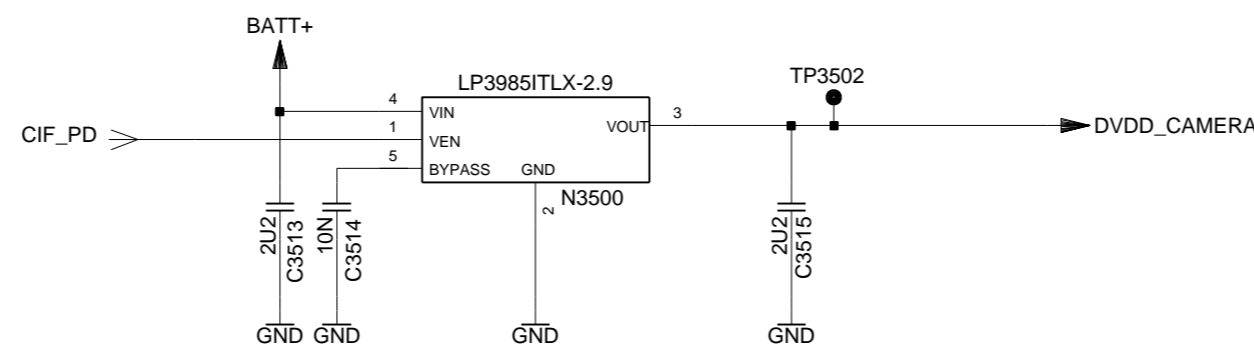
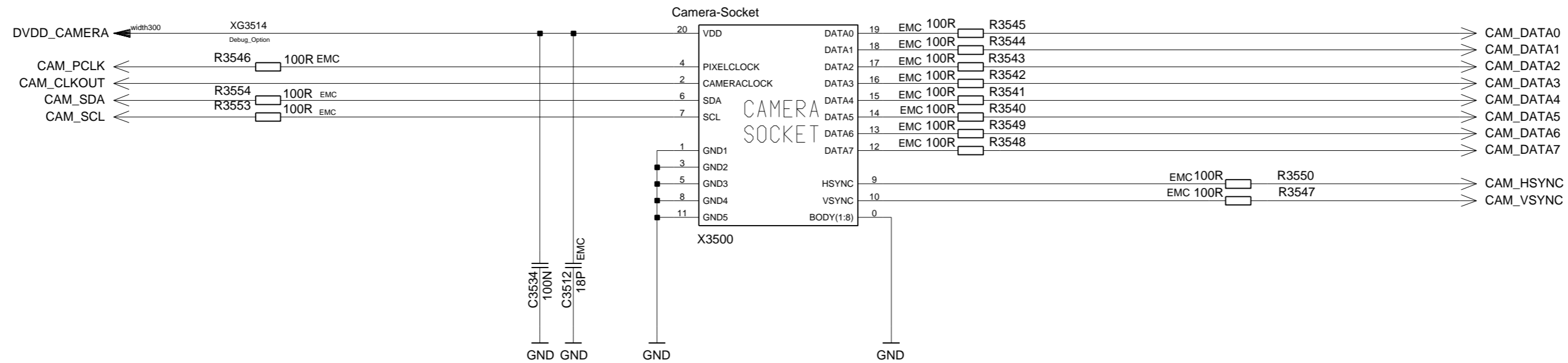
| | | | | | | | | |
|-------|---------------|------------|------|---|------------|---|--------|---------|
| | | | | DATE | 19.05.2005 | G75 HYDRA MAIN B2.2 Variant V1 TOP HIERARCHY LEVEL SCHEMATIC | 1:1 | |
| | | | | USER | Braendskov | | | |
| | | | | APPR'D | | | | |
| | | | | COM MD PD HW4 AAL | | | | |
| | | | | Siemens AG | | | 184376 | sheet32 |
| 1 | 28983 | 04.07.2005 | olh | | | | | |
| VERS. | CHANGE NUMBER | DATE | NAME | (Created by BOM number: A5B00900192340-28983) | | | | |

Proprietary data. Company confidential.
all rights reserved

Als Betriebsgeheimnis anvertraut
alle Rechte vorbehalten

Camera Interface

3500-3599



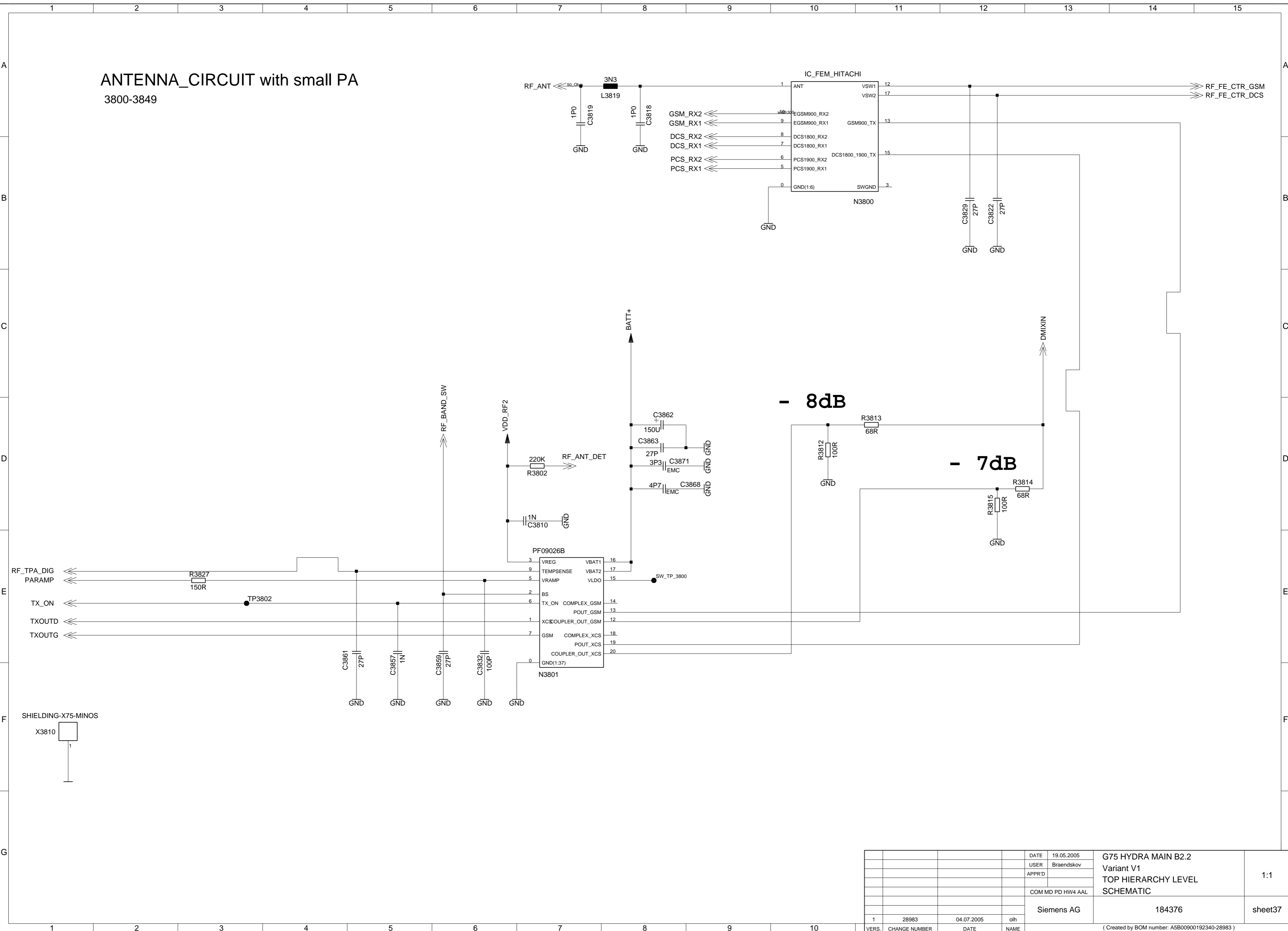
| | | | | | | |
|---|------------|---|--------|-------|------------|-----|
| DATE | 19.05.2005 | G75 HYDRA MAIN B2.2 Variant V1 TOP HIERARCHY LEVEL SCHEMATIC | 1:1 | | | |
| USER | Braendskov | | | | | |
| APPR'D | | | | | | |
| COM MD PD HW4 AAL | | Siemens AG | 184376 | | | |
| VERS. | 1 | | | 28983 | 04.07.2005 | alh |
| (Created by BOM number: A5B00900192340-28983) | | | | | | |

Proprietary data, Company confidential.
all rights reserved

Als Betriebsgeheimnis anvertraut
alle Rechte vorbehalten

ANTENNA_CIRCUIT with small PA

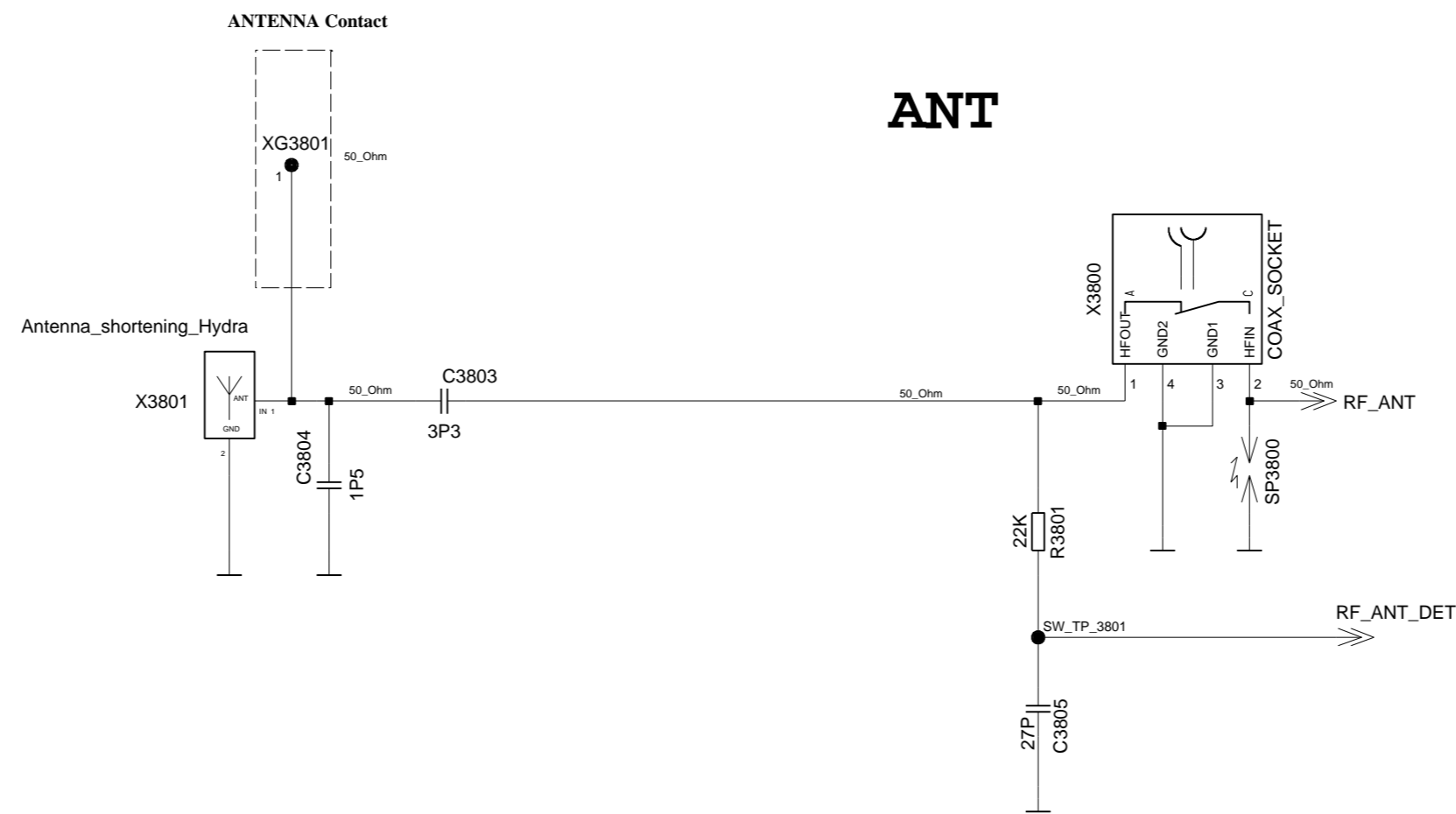
3800-3849



| | | | |
|---|---------------|---|---------|
| DATE | 19.05.2005 | G75 HYDRA MAIN B2.2 Variant V1 TOP HIERARCHY LEVEL SCHEMATIC | 1:1 |
| USER | Braendskov | | |
| APPRD | | | |
| COM MD PD HW4 AAL | | | |
| Siemens AG | | 184376 | sheet37 |
| 1 | 28983 | 04.07.2005 | alh |
| VERS. | CHANGE NUMBER | DATE | NAME |
| (Created by BOM number: A5B00900192340-28983) | | | |

ANTENNA_CIRCUIT with small PA

3800-3849



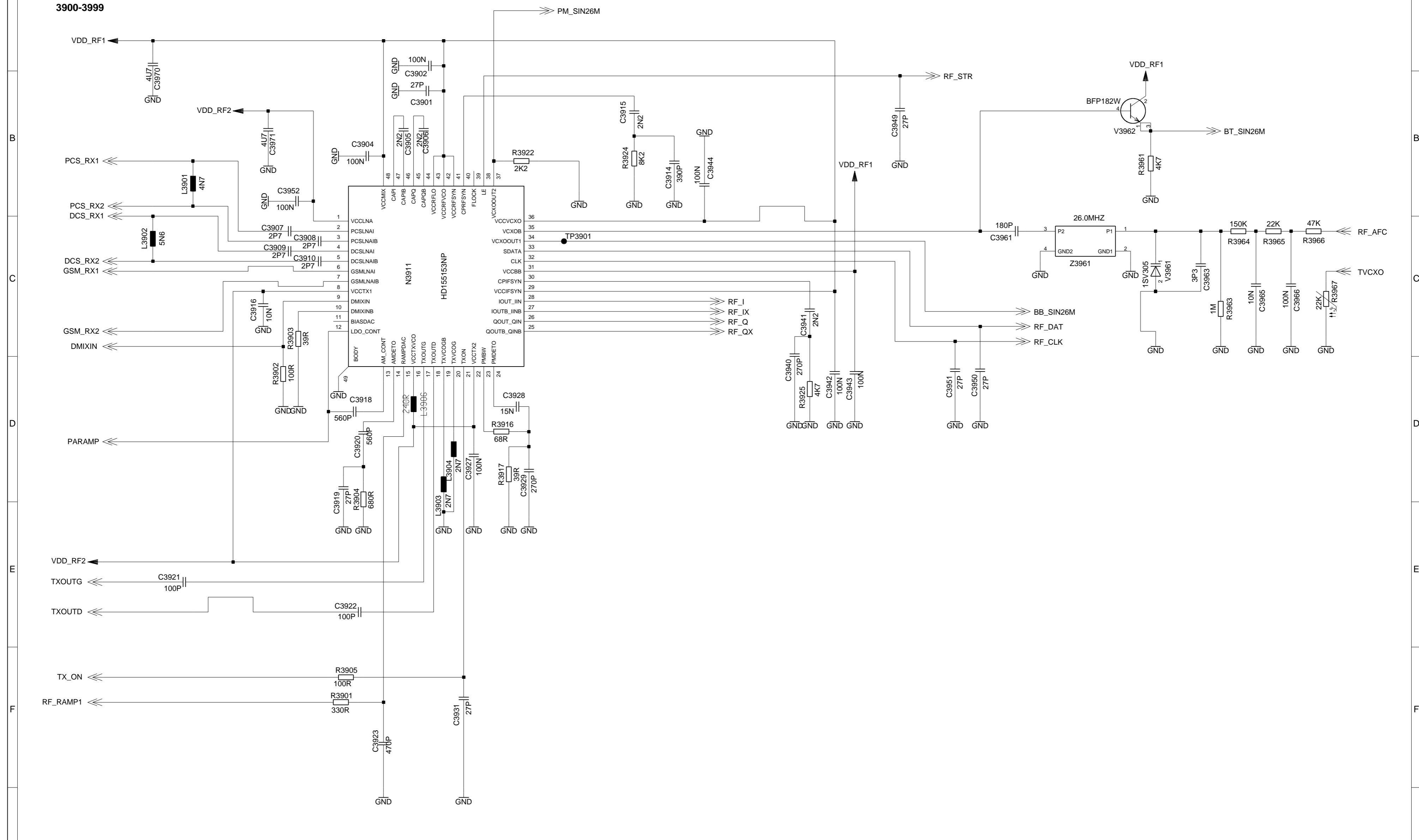
| | | | | | | |
|-------------------|------------|---|--------|-------|------------|---|
| DATE | 19.05.2005 | G75 HYDRA MAIN B2.2 Variant V1 TOP HIERARCHY LEVEL SCHEMATIC | 1:1 | | | |
| USER | Braendskov | | | | | |
| APPR'D | | | | | | |
| COM MD PD HW4 AAL | | Siemens AG | 184376 | | | |
| VERS. | 1 | | | 28983 | 04.07.2005 | olh |
| CHANGE NUMBER | | DATE | | NAME | | (Created by BOM number: A5B00900192340-28983) |

Proprietary data. Company confidential.
all rights reserved

Als Betriebsgeheimnis anvertraut
alle Rechte vorbehalten

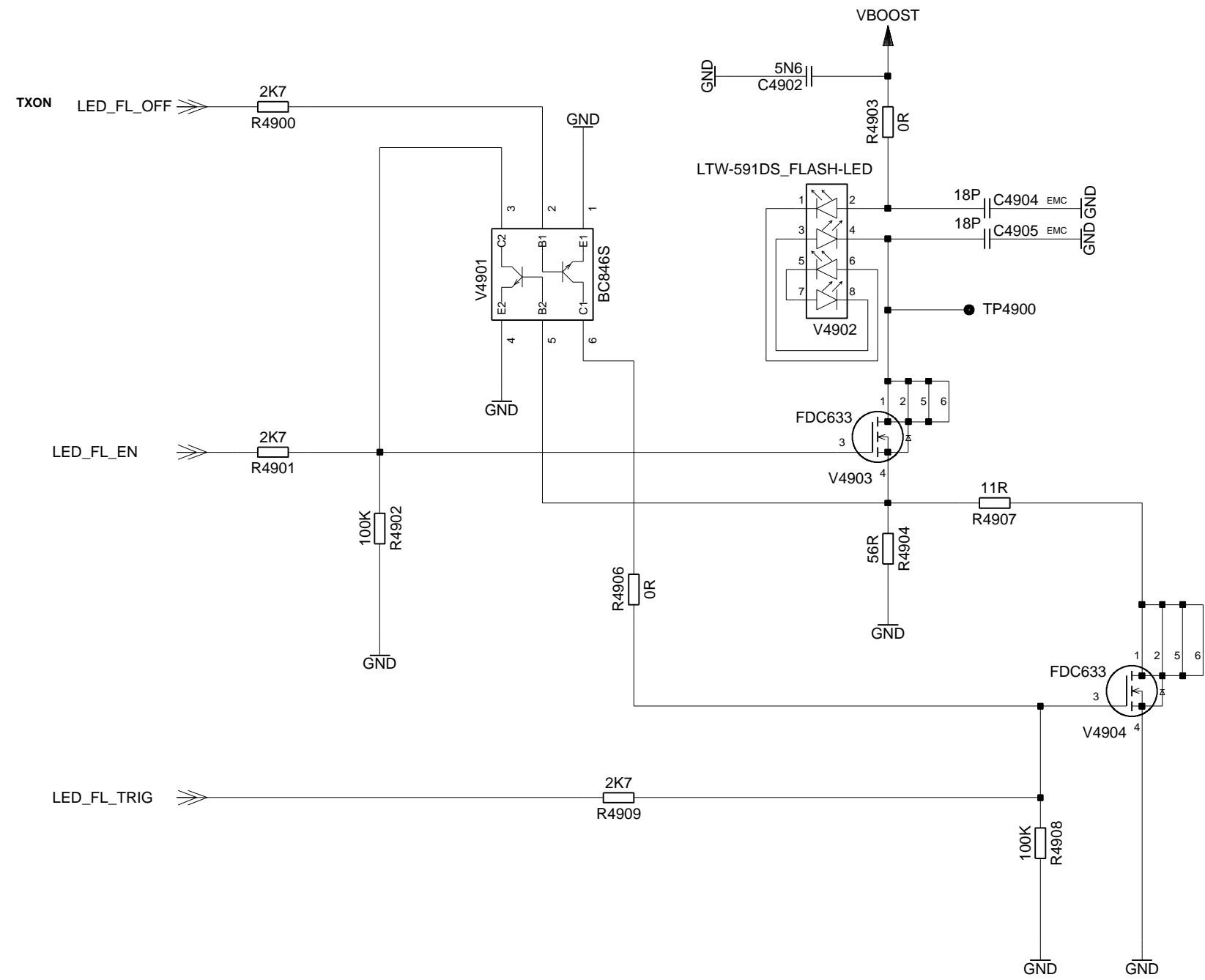
RF_HITACHI_BRIGHT

3900-3999



LED FLASHLIGHT

4900-4999



Proprietary data, company confidential.
All rights reserved

Als Betriebsgeheimnis anvertraut
Alle Rechte vorbehalten

| | | | | |
|-------------------|---------------|---------------------|------|-----------|
| DATE | 19.05.2005 | G75 HYDRA MAIN B2.2 | | 1:1 |
| USER | Braendskov | Variant V1 | | |
| APPR'D | | TOP HIERARCHY LEVEL | | |
| COM MD PD HW4 AAL | | | | SCHEMATIC |
| Siemens AG | | | | |
| VERS. | CHANGE NUMBER | DATE | NAME | 184376 |
| 1 | 28983 | 04.07.2005 | olh | sheet49 |

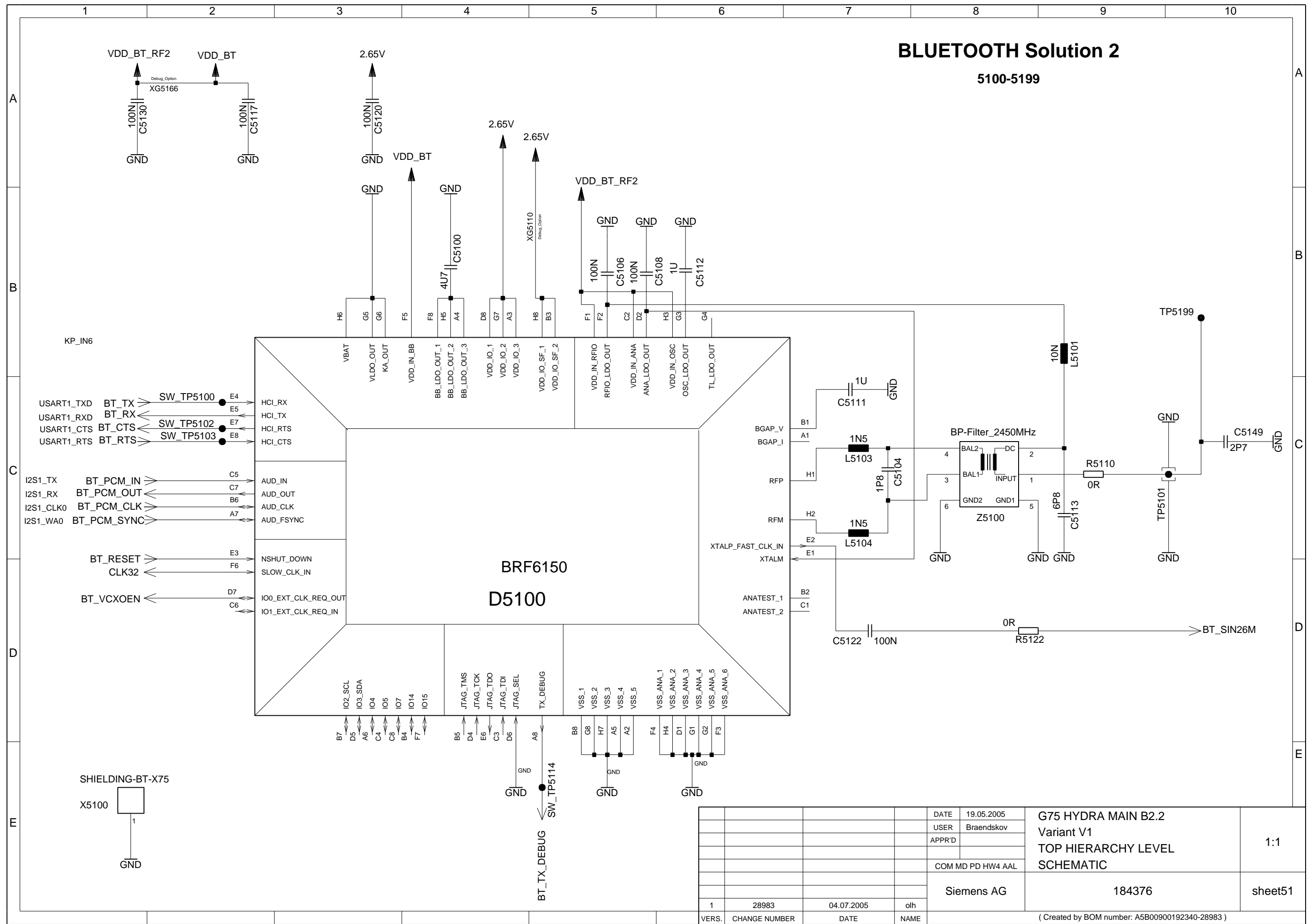
(Created by BOM number: A5B00900192340-28983)

Proprietary data, company confidential.
All rights reserved

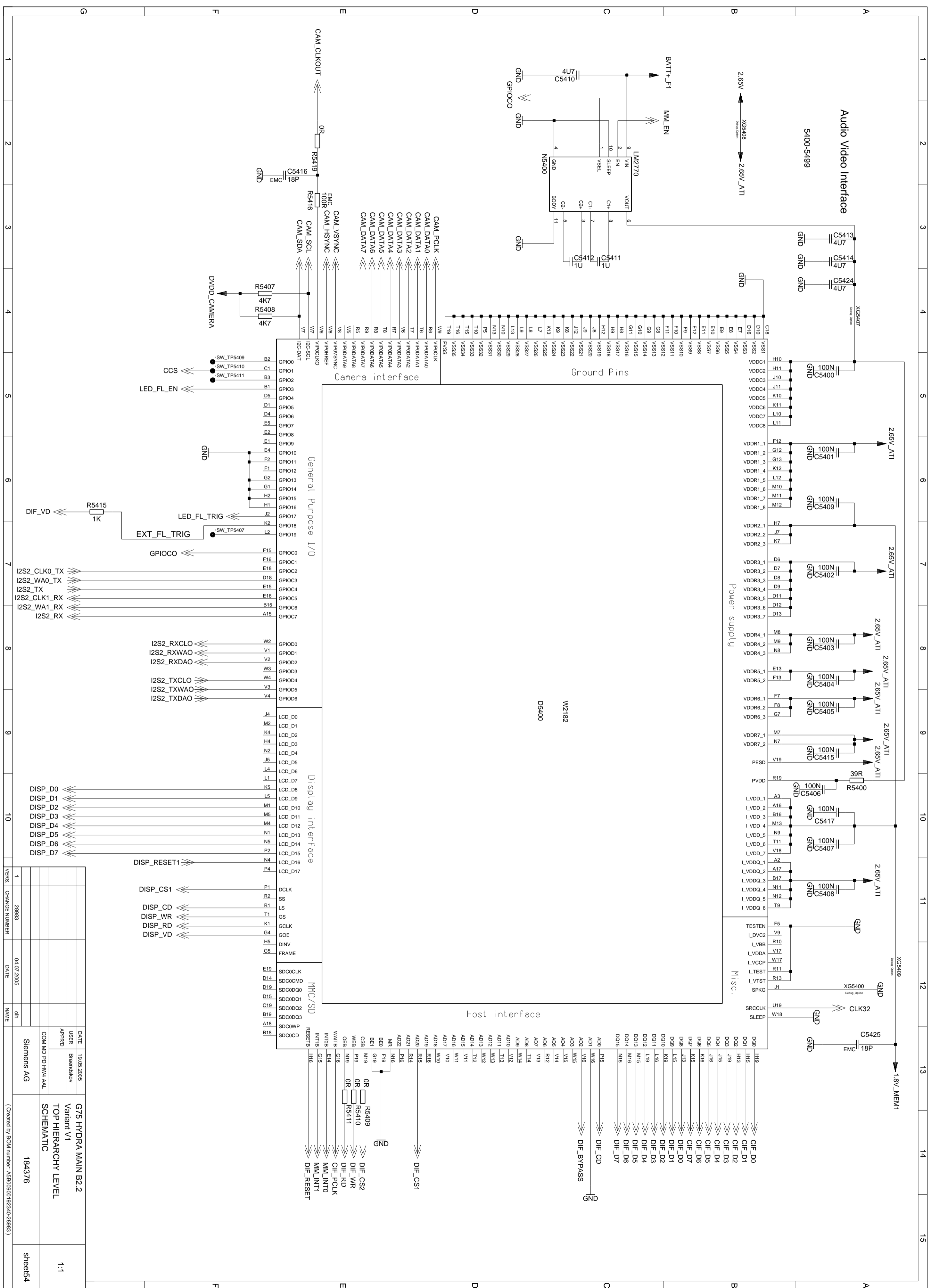
Als Betriebsgeheimnis anvertraut
Alle Rechte vorbehalten

BLUETOOTH Solution 2

5100-5199



| | | | |
|---|---------------|---|---------|
| DATE | 19.05.2005 | G75 HYDRA MAIN B2.2 Variant V1 TOP HIERARCHY LEVEL SCHEMATIC | 1:1 |
| USER | Braendskov | | |
| APPR'D | | | |
| COM MD PD HW4 AAL | | | |
| Siemens AG | | 184376 | sheet51 |
| 1 | 28983 | 04.07.2005 | olh |
| VERS. | CHANGE NUMBER | DATE | NAME |
| (Created by BOM number: A5B00900192340-28983) | | | |



| VERIS | CHANGE NUMBER | DATE | NAME |
|-------|---------------|------------|------|
| 1 | 28983 | 04/07/2005 | gh |

| DATE | USER | APPROV | COM MD PD HW4 MALL |
|------------|------------|--------|--------------------|
| 19.05.2005 | Braunshkov | | |

| DATE | NAME |
|------------|------|
| 19.05.2005 | gh |

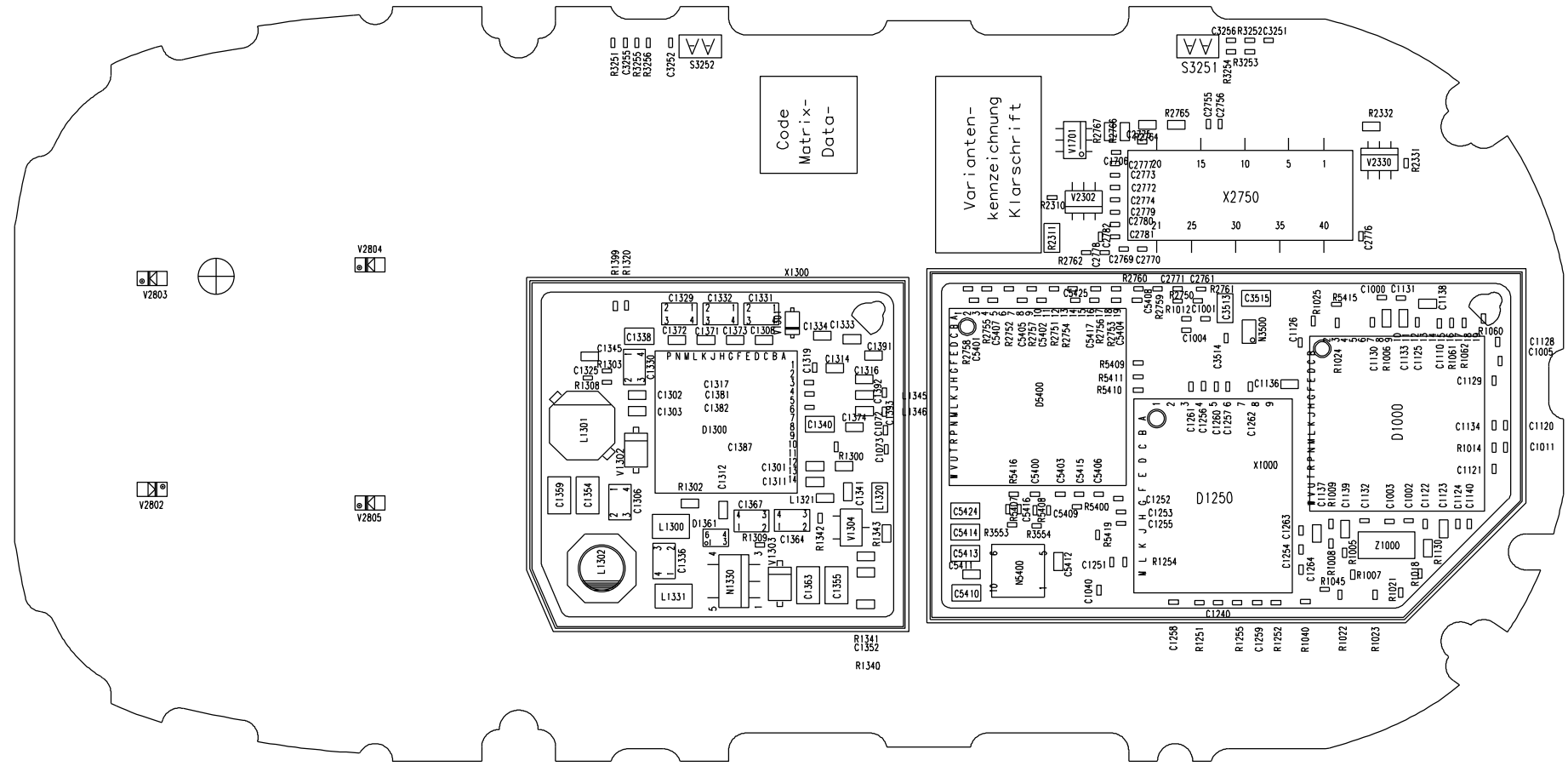
G75 HYDRA MAIN B2.2
Variant V1
TOP HIERARCHY LEVEL
SCHEMATIC
184376

Siemens AG
sheet54

PROPRIETARY DATA, COMPANY CONFIDENTIAL
ALL RIGHTS RESERVED

ALS BETRIEBSGEHEIMNIS ANVERTRAUT
ALLE RECHTE VORBEHALTEN

| | | | | | | | | | | |
|----------|----------|----------|----------|----------|----------|----------|----------|----------|----------|----------|
| 1 | 2 | 3 | 4 | 5 | 6 | 7 | 8 | 9 | 10 | |
| C1000 7C | C1133 8C | C1302 4C | C1354 4C | C2772 6B | C5405 6C | L1320 5C | R1060 8C | R2750 7C | R3553 6C | V2805 3C |
| C1001 7C | C1134 8C | C1303 4C | C1355 5D | C2773 6B | C5406 6C | L1321 5C | R1061 8C | R2751 6C | R3554 6C | X1000 8C |
| C1002 8C | C1136 7C | C1306 4C | C1359 4C | C2774 6B | C5407 6C | L1331 4D | R1062 8C | R2752 6C | R5400 6C | X1300 5C |
| C1003 7C | C1137 7C | C1308 5C | C1363 5D | C2775 6B | C5408 6C | L1345 5C | R1130 8C | R2753 6C | R5407 6C | X2750 7B |
| C1004 7C | C1138 8C | C1311 5C | C1364 5C | C2776 7C | C5409 6C | L1346 5C | R1251 7D | R2754 6C | R5408 6C | Z1000 8C |
| C1005 8C | C1139 7C | C1312 5C | C1367 5C | C2777 6B | C5410 6D | N1330 5D | R1252 7D | R2755 6C | R5409 6C | |
| C1011 8C | C1140 8C | C1314 5C | C1371 5C | C2778 6C | C5411 6D | N3500 7C | R1254 6D | R2756 6C | R5410 6C | |
| C1040 6D | C1240 7D | C1316 5C | C1372 4C | C2779 6B | C5412 6D | N5400 6D | R1255 7D | R2757 6C | R5411 6C | |
| C1072 5C | C1251 6D | C1317 5C | C1373 5C | C2780 6B | C5413 6C | R1005 7C | R1300 5C | R2758 6C | R5415 7C | |
| C1073 5C | C1252 6C | C1319 5C | C1374 5C | C2781 6C | C5414 6C | R1006 7C | R1302 4C | R2759 6C | R5416 6C | |
| C1110 8C | C1253 6C | C1325 4C | C1381 5C | C2782 6C | C5415 6C | R1007 7D | R1303 4C | R2760 6C | R5419 6C | |
| C1120 8C | C1254 7C | C1329 4C | C1382 5C | C3251 7B | C5416 6C | R1008 7C | R1308 4C | R2761 7C | S3251 7B | |
| C1121 8C | C1255 6C | C1330 4C | C1387 5C | C3252 4B | C5417 6C | R1009 7C | R1309 5C | R2762 6C | S3252 4B | |
| C1122 8C | C1256 7C | C1331 5C | C1391 5C | C3255 4B | C5424 6C | R1012 7C | R1320 4C | R2764 6B | V1301 5C | |
| C1123 8C | C1257 7C | C1332 5C | C1392 5C | C3256 7B | C5425 6C | R1014 8C | R1340 5D | R2765 7B | V1302 4C | |
| C1124 8C | C1258 7D | C1333 5C | C1393 5C | C3513 7C | D1000 7C | R1018 8D | R1341 5D | R2766 6B | V1303 5D | |
| C1125 8C | C1259 7D | C1334 5C | C1706 6B | C3514 7C | D1250 6C | R1021 8D | R1342 5C | R2767 6B | V1304 5C | |
| C1126 7C | C1260 7C | C1336 4D | C2755 7B | C3515 7C | D1300 5C | R1022 7D | R1343 5C | R3251 4B | V1701 6B | |
| C1128 8C | C1261 7C | C1338 4C | C2756 7B | C5400 6C | D1361 4C | R1023 7D | R1399 4C | R3252 7B | V2302 6B | |
| C1129 8C | C1262 7C | C1340 5C | C2761 7C | C5401 6C | D5400 6C | R1024 7C | R2310 6B | R3253 7B | V2330 8B | |
| C1130 7C | C1263 7C | C1341 5C | C2769 6C | C5402 6C | L1300 4C | R1025 7C | R2311 6C | R3254 7B | V2802 2C | |
| C1131 8C | C1264 7D | C1345 4C | C2770 6C | C5403 6C | L1301 4C | R1040 7D | R2331 8B | R3255 4B | V2803 2C | |
| C1132 7C | C1301 5C | C1352 5D | C2771 7C | C5404 6C | L1302 4D | R1045 7D | R2332 7B | R3256 4B | V2804 3C | |

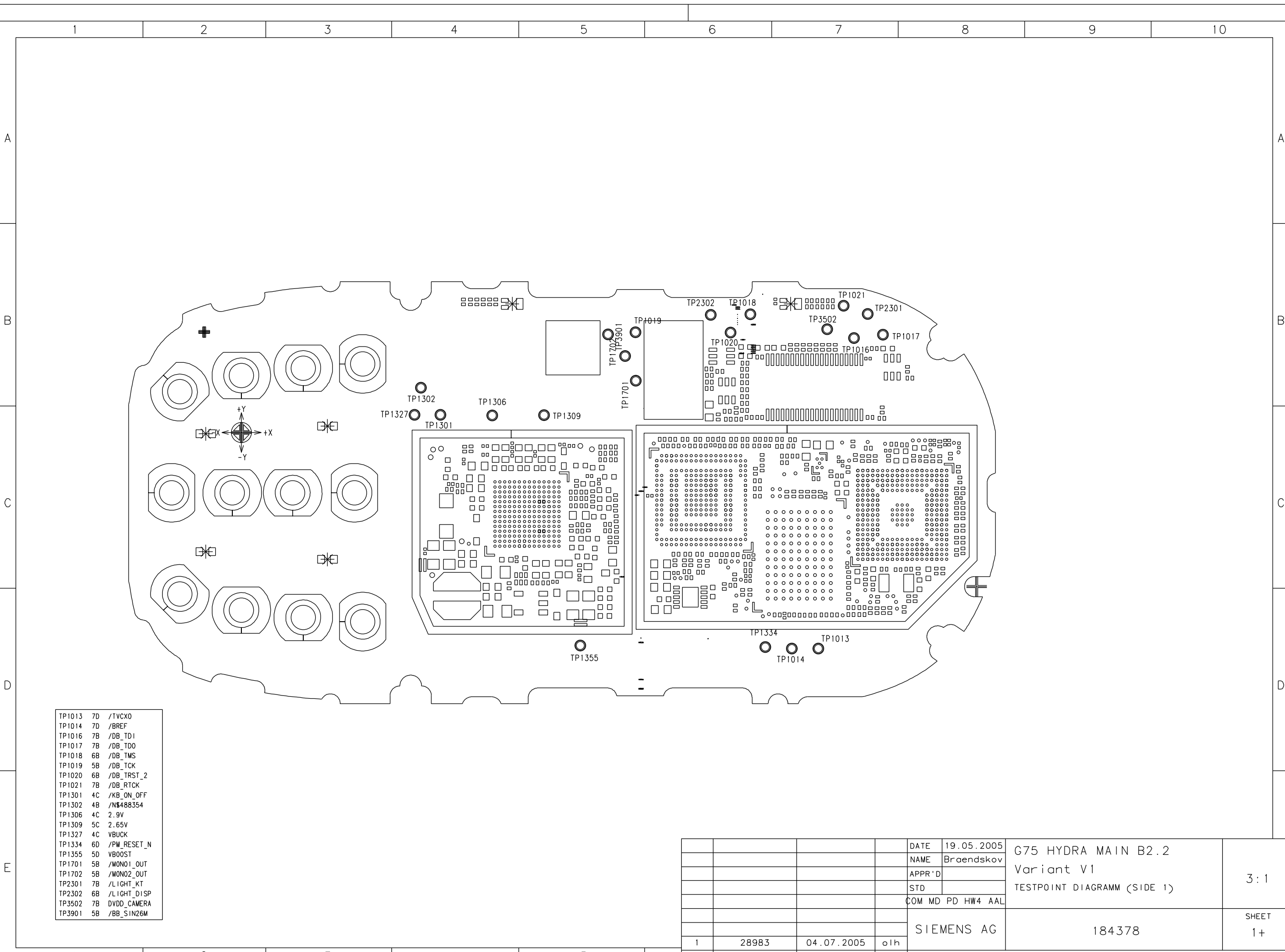


Achtung : Hoehenprofil C24-_-_-_-_-42 (gilt nur fuer Entwicklung)
Liefervarianten siehe : V24851-Z2000-A1-*-35

| | | | | |
|-------------------|---------------|---|-------------|---|
| DATE | 19.05.2005 | G75 HYDRA MAIN B2.2 Variant V1 WIRING DIAGRAM (SOLDER SIDE 1) | 3:1 | |
| NAME | Braendskov | | | |
| APPR'D | | | | |
| STD | | | | |
| COM MD PD HW4 AAL | | SIEMENS AG | SHEET 1+ | |
| 1 | 28983 | | | 04.07.2005 |
| VERS. | CHANGE NUMBER | DATE | NAME | (Created by BOM number: A5B00900192340-28983) |

PROPRIETARY DATA, COMPANY CONFIDENTIAL
ALL RIGHTS RESERVED

ALS BETRIEBSGEHEIMNIS ANVERTRAUT
ALLE RECHTE VORBEHALTEN

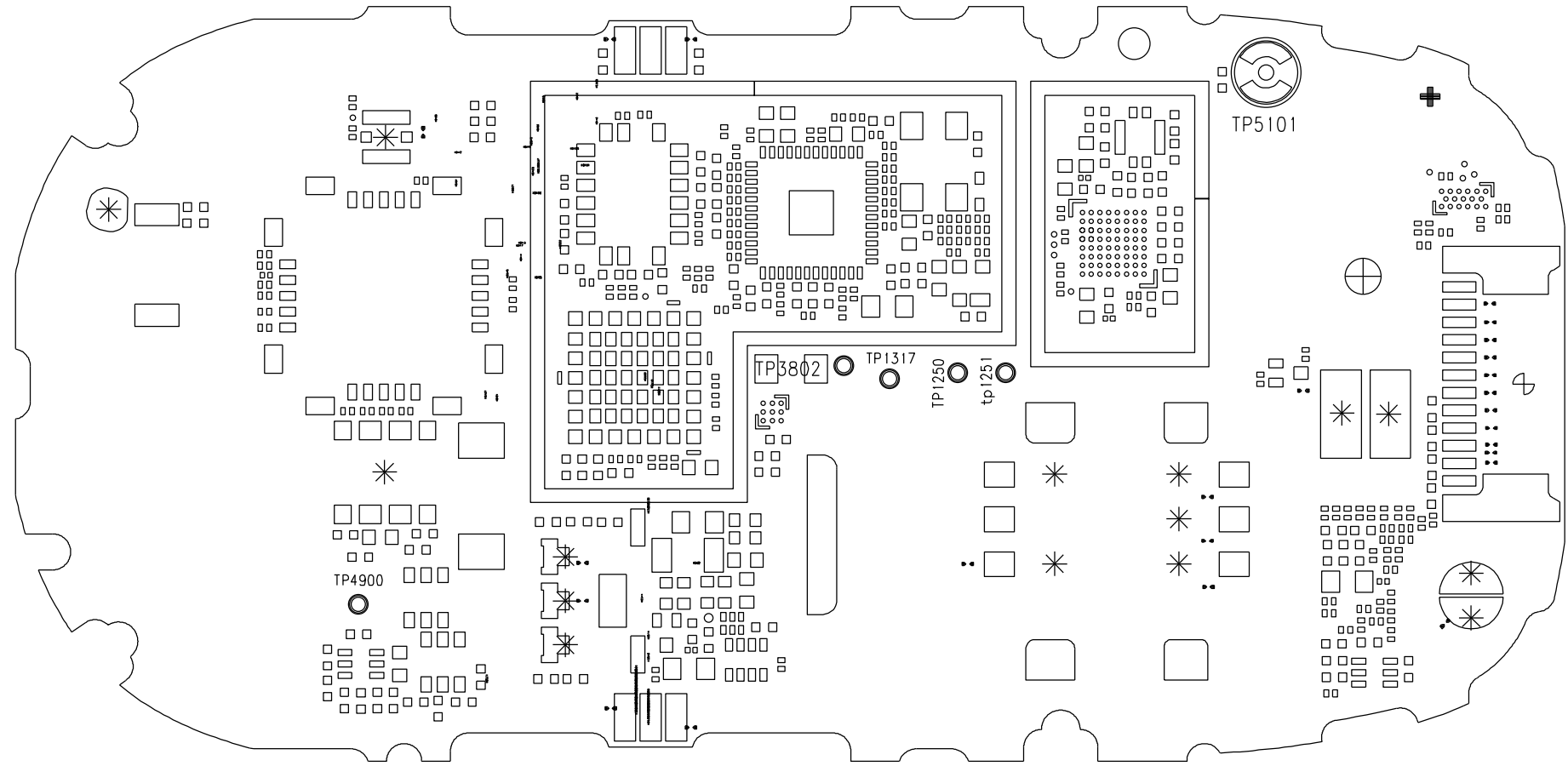


| | | |
|--------|----|-------------|
| TP1013 | 7D | /TVCX0 |
| TP1014 | 7D | /BREF |
| TP1016 | 7B | /DB_TD1 |
| TP1017 | 7B | /DB_T00 |
| TP1018 | 6B | /DB_TMS |
| TP1019 | 5B | /DB_TCK |
| TP1020 | 6B | /DB_TRST_2 |
| TP1021 | 7B | /DB_RTCK |
| TP1301 | 4C | /KB_ON_OFF |
| TP1302 | 4B | /NS488354 |
| TP1306 | 4C | 2.9V |
| TP1309 | 5C | 2.65V |
| TP1327 | 4C | VBUCK |
| TP1334 | 6D | /PM_RESET_N |
| TP1355 | 5D | VBOOST |
| TP1701 | 5B | /MON01_OUT |
| TP1702 | 5B | /MON02_OUT |
| TP2301 | 7B | /LIGHT_KT |
| TP2302 | 6B | /LIGHT_DISP |
| TP3502 | 7B | DVDD_CAMERA |
| TP3901 | 5B | /BB_SIN26M |

| | | | | |
|------------|---------------|-----------------------------|------|---|
| DATE | 19.05.2005 | G75 HYDRA MAIN B2.2 | | 3:1 |
| NAME | Braendskov | Variant V1 | | |
| APPR'D | | TESTPOINT DIAGRAMM (SIDE 1) | | |
| STD | | COM MD PD HW4 AAL | | |
| SIEMENS AG | | 184378 | | SHEET 1+ |
| 1 | 28983 | 04.07.2005 | oIh | |
| VERS. | CHANGE NUMBER | DATE | NAME | (Created by BOM number: A5B00900192340-28983) |

PROPRIETARY DATA, COMPANY CONFIDENTIAL
ALL RIGHTS RESERVED

ALS BETRIEBSGEHEIMNIS ANVERTRAUT
ALLE RECHTE VORBEHALTEN

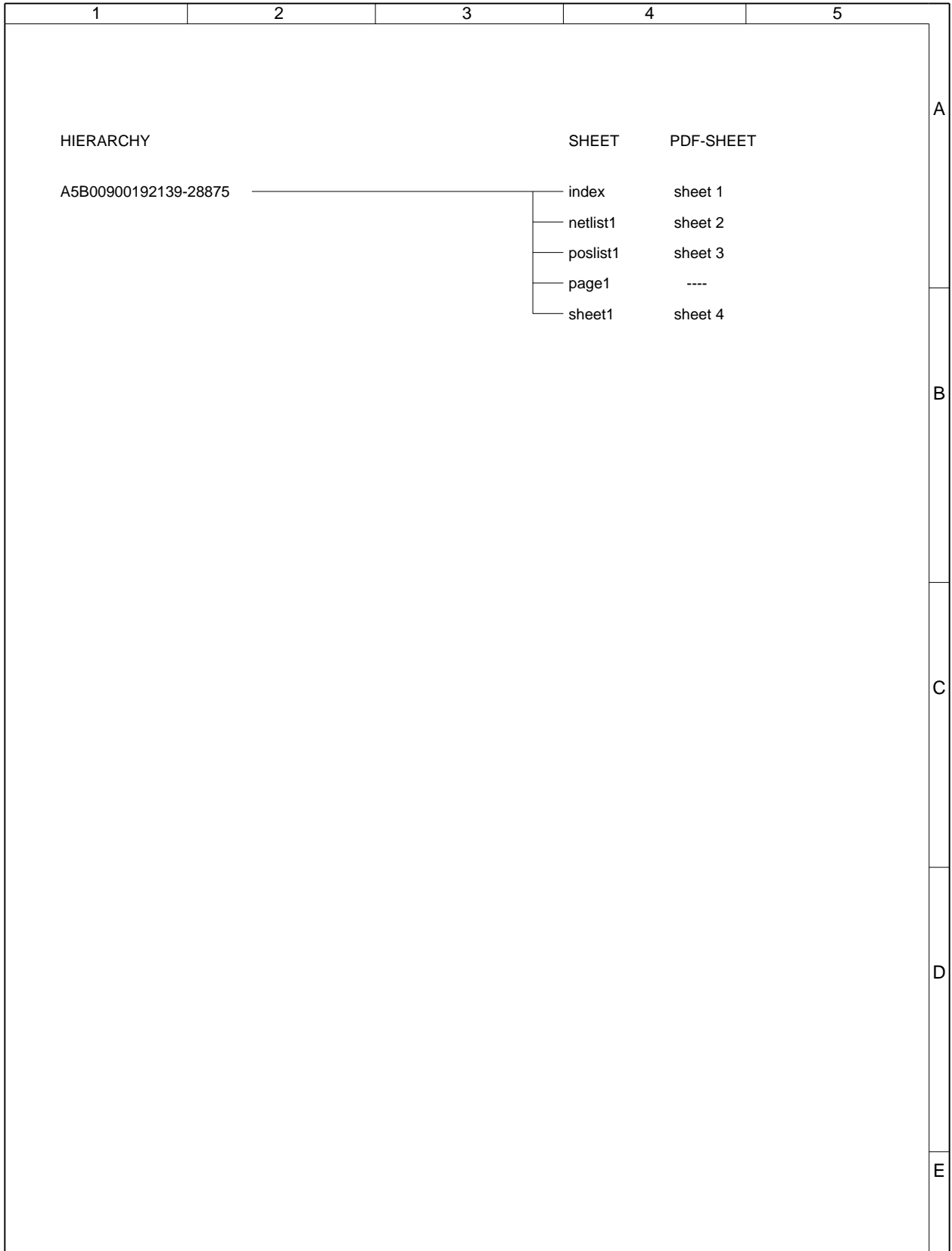


| | | |
|--------|----|-----------|
| TP1250 | 6C | /F_VPP |
| TP1251 | 7C | |
| TP1317 | 6C | VDD_RTC |
| TP3802 | 6C | /TX_ON |
| TP4900 | 4D | /NS503933 |
| TP5101 | 8B | /NS451536 |
| TP5199 | 7B | /NS451536 |

| | | | | | | | |
|-------|---------------|------------|------|---|------------|--|-------------|
| | | | | DATE | 19.05.2005 | G75 HYDRA MAIN B2.2 Variant V1 TESTPOINT DIAGRAMM (SIDE 2) | 3:1 |
| | | | | NAME | Braendskov | | |
| | | | | APPR'D | | | |
| | | | | STD | | | |
| | | | | COM MD PD HW4 AAL | | | |
| | | | | SIEMENS AG | | 184378 | SHEET 2- |
| 1 | 28983 | 04.07.2005 | oIh | | | | |
| VERS. | CHANGE NUMBER | DATE | NAME | (Created by BOM number: A5B00900192340-28983) | | | |

Proprietary data, company confidential.
All rights reserved

Als Betriebsgeheimnis anvertraut
Alle Rechte vorbehalten



| | | | | | | | |
|-------|---------------|------------|------|---|------------|--|-------|
| | | | | DATE | 08.10.2004 | Hydra MMI Assembled B2 Layout TOP HIERARCHY LEVEL SCHEMATIC | 1:1 |
| | | | | USER | kbr | | |
| | | | | APPR'D | | | |
| | | | | COM MD PD HW4 AAL | | | |
| | | | | Siemens AG | | 182959 | index |
| 1 | 28876 | 29.06.2005 | kbr | (Created by BOM number: A5B00900192201-28876) | | | |
| VERS. | CHANGE NUMBER | DATE | NAME | | | | |

A
B
C
D
E

Proprietary data, company confidential.
All rights reserved

Als Betriebsgeheimnis anvertraut
Alle Rechte vorbehalten

| | | | | | | |
|--|---|---|---|---|---|---|
| | 1 | 2 | 3 | 4 | 5 | |
| | <p>KB_ON_OFF /sheet1 4 D /sheet1 4 B</p> <p>KP_IN0 /sheet1 6 B /sheet1 4 B</p> <p>KP_IN1 /sheet1 6 B /sheet1 4 B</p> <p>KP_IN2 /sheet1 6 C /sheet1 4 B</p> <p>KP_IN3 /sheet1 6 C /sheet1 4 B</p> <p>KP_IN4 /sheet1 6 D /sheet1 4 B</p> <p>KP_IN5_OUT6 /sheet1 7 D /sheet1 4 C</p> <p>KP_OUT3 /sheet1 6 D /sheet1 4 B</p> <p>LIGHT_KT /sheet1 9 D /sheet1 4 C</p> <p>VBOOST /sheet1 4 B /sheet1 9 A</p> <p>VBOOST_LOOP /sheet1 4 C /sheet1 9 C</p> | | | | | A |
| | | | | | | B |
| | | | | | | C |
| | | | | | | D |
| | | | | | | E |

| | | | | | | | |
|-------|---------------|------------|------|---|------------|--|----------|
| | | | | DATE | 08.10.2004 | Hydra MMI Assembled B2 Layout TOP HIERARCHY LEVEL SCHEMATIC | 1:1 |
| | | | | USER | kbr | | |
| | | | | APPR'D | | | |
| | | | | COM MD PD HW4 AAL | | | |
| | | | | Siemens AG | | 182959 | netlist1 |
| 1 | 28876 | 29.06.2005 | kbr | (Created by BOM number: A5B00900192201-28876) | | | |
| VERS. | CHANGE NUMBER | DATE | NAME | | | | |

Proprietary data, company confidential.
All rights reserved

Als Betriebsgeheimnis anvertraut
Alle Rechte vorbehalten

| | | | | | |
|---|---|---|---|---|---|
| 1 | 2 | 3 | 4 | 5 | |
| TP3001 /sheet1 3 B TP3002 /sheet1 3 B TP3003 /sheet1 3 B TP3004 /sheet1 3 B TP3005 /sheet1 3 B TP3006 /sheet1 3 B TP3007 /sheet1 3 B TP3008 /sheet1 3 B TP3009 /sheet1 3 B TP3010 /sheet1 3 C TP3000 /sheet1 3 B V3002 /sheet1 10 C V3003 /sheet1 10 C V3004 /sheet1 10 B V3005 /sheet1 10 B X3001 /sheet1 2 C | | | | | A |
| | | | | | B |
| | | | | | C |
| | | | | | D |
| | | | | | E |

| | | | | | | | |
|-------|---------------|------------|------|---|------------|--|----------|
| | | | | DATE | 08.10.2004 | Hydra MMI Assembled B2 Layout TOP HIERARCHY LEVEL SCHEMATIC | 1:1 |
| | | | | USER | kbr | | |
| | | | | APPR'D | | | |
| | | | | COM MD PD HW4 AAL | | | |
| | | | | Siemens AG | | 182959 | poslist1 |
| 1 | 28876 | 29.06.2005 | kbr | (Created by BOM number: A5B00900192201-28876) | | | |
| VERS. | CHANGE NUMBER | DATE | NAME | | | | |

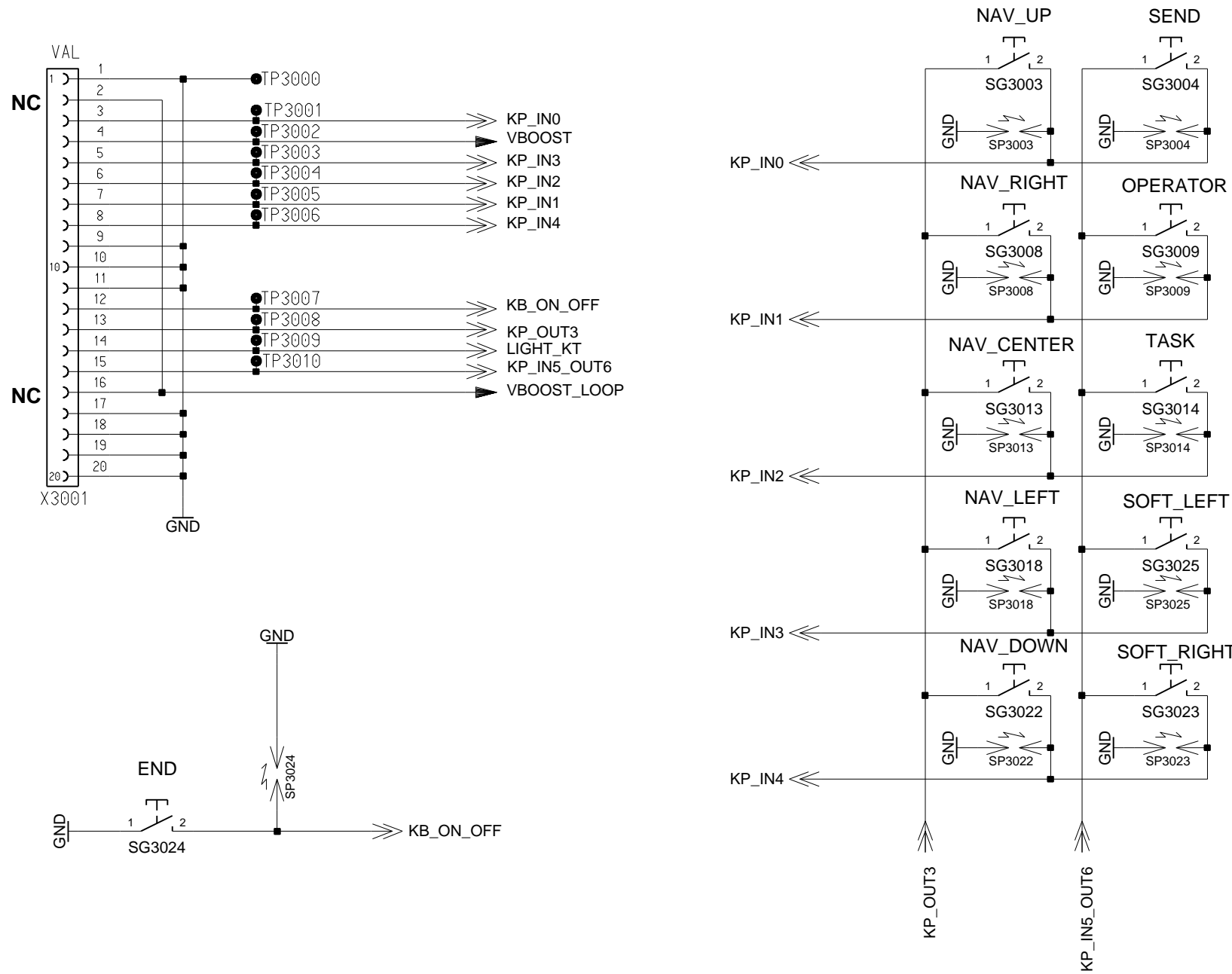
Proprietary data, company confidential.
All rights reserved

Als Betriebsgeheimnis anvertraut
Alle Rechte vorbehalten

HYDRA MMI

3000-3049

SLIDER TOP



| | | | | | | | |
|-------|---------------|------------|------|---|------------|--|--------|
| | | | | DATE | 08.10.2004 | Hydra MMI Assembled B2 Layout TOP HIERARCHY LEVEL SCHEMATIC | 1:1 |
| | | | | USER | kbr | | |
| | | | | APPR'D | | | |
| | | | | COM MD PD HW4 AAL | | Siemens AG | sheet1 |
| | | | | | 182959 | | |
| 1 | 28876 | 29.06.2005 | kbr | | | | |
| VERS. | CHANGE NUMBER | DATE | NAME | (Created by BOM number: A5B00900192201-28876) | | | |

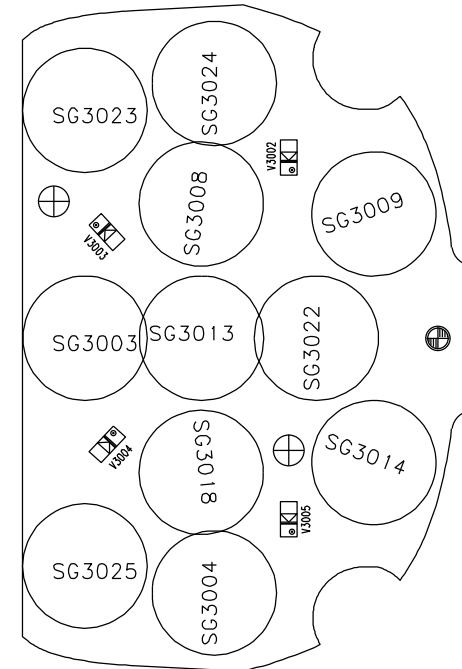
PROPRIETARY DATA, COMPANY CONFIDENTIAL
ALL RIGHTS RESERVED

ALS BETRIEBSGEHEIMNIS ANVERTRAUT
ALLE RECHTE VORBEHALTEN

1 2 3 4 5 6 7 8 9 10

A
B
C
D
E

| | |
|-------|----|
| V3002 | 8C |
| V3003 | 7C |
| V3004 | 7C |
| V3005 | 8C |



Achtung : Hoehenprofil C24_..._..._42 (gilt nur fuer Entwicklung)
Liefervarianten siehe : V24851-Z2000-A1-*35

| | | | | | | | |
|-------|------------|------------|------|---|------------|---|-------------|
| | | | | Datum | 08.10.2004 | Hydra MMI Assembled B2 Layout WIRING DIAGRAMM (SOLDER SIDE 1) | 3:1 |
| | | | | Bearb | kbr | | |
| | | | | Gepr. | | | |
| | | | | Norm | | | |
| | | | | COM MD PD HW4 AAL | | | |
| | | | | Siemens AG | | 183004 | Blatt 1+ |
| 1 | 28876 | 29.06.2005 | kbr | | | | |
| Zust. | Mitteilung | Datum | Name | (Created by BOM number: A5B00900192201-28876) | | | |

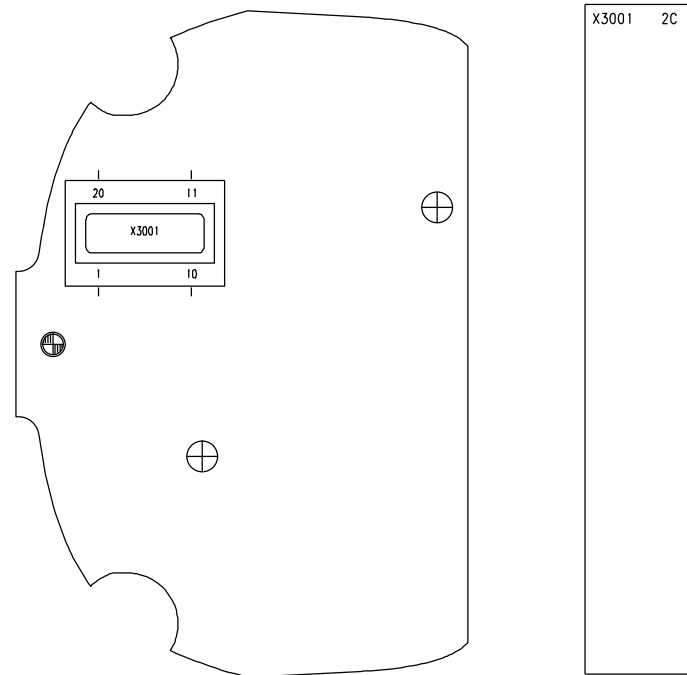
1 2 3 4 5

PROPRIETARY DATA, COMPANY CONFIDENTIAL
ALL RIGHTS RESERVED

ALS BETRIEBSGEHEIMNIS ANVERTRAUT
ALLE RECHTE VORBEHALTEN

1 2 3 4 5 6 7 8 9 10

A
B
C
D
E



Achtung : Hoehenprofil C24_ _ _ _ _42 (gilt nur fuer Entwicklung)
Liefervarianten siehe : V24851-Z2000-A1-* -35

| | | | | | | | |
|-------|------------|------------|------|---|------------|---|-------------|
| | | | | Datum | 08.10.2004 | Hydra MMI Assembled B2 Layout WIRING DIAGRAMM (SOLDER SIDE 2) | 3:1 |
| | | | | Bearb | kbr | | |
| | | | | Gepr. | | | |
| | | | | Norm | | | |
| | | | | COM MD PD HW4 AAL | | | |
| | | | | Siemens AG | | 183004 | Blatt 2+ |
| 1 | 28876 | 29.06.2005 | kbr | | | | |
| Zust. | Mitteilung | Datum | Name | (Created by BOM number: A5B00900192201-28876) | | | |

1 2 3 4 5

PROPRIETARY DATA, COMPANY CONFIDENTIAL
ALL RIGHTS RESERVED

ALS BETRIEBSGEHEIMNIS ANVERTRAUT
ALLE RECHTE VORBEHALTEN

1 2 3 4 5 6 7 8 9 10

A

A

B

B

C

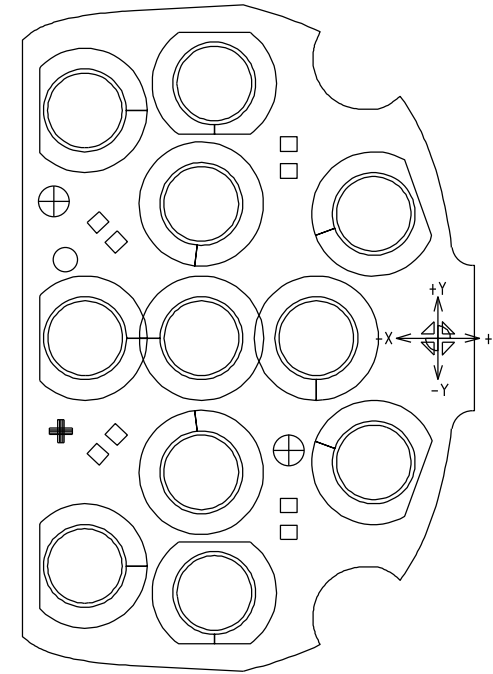
C

D

D

E

E



| | | | | | | | |
|-------|------------|------------|------|---|------------|---|-------------|
| | | | | Datum | 08.10.2004 | Hydra MMI Assembled B2 Layout TESTPOINT DIAGRAMM (SIDE 1) | 3:1 |
| | | | | Bearb | kbr | | |
| | | | | Gepr. | | | |
| | | | | Norm | | | |
| | | | | COM MD PD HW4 AAL | | | |
| | | | | Siemens AG | | 183005 | Blatt 1+ |
| 1 | 28876 | 29.06.2005 | kbr | | | | |
| Zust. | Mitteilung | Datum | Name | (Created by BOM number: A5B00900192201-28876) | | | |

1 2 3 4 5

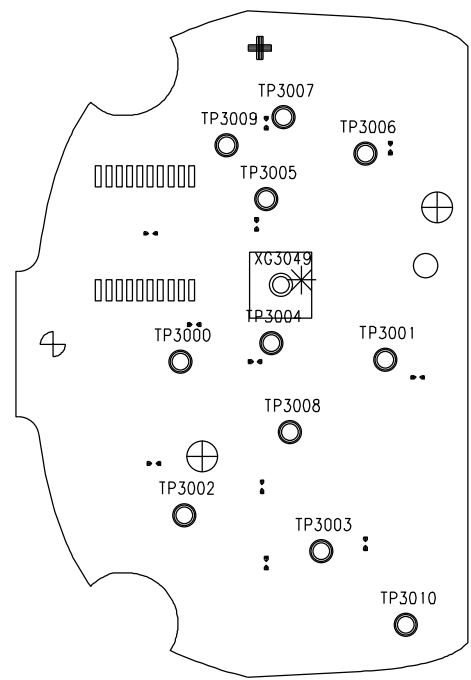
PROPRIETARY DATA, COMPANY CONFIDENTIAL
ALL RIGHTS RESERVED

ALS BETRIEBSGEHEIMNIS ANVERTRAUT
ALLE RECHTE VORBEHALTEN

1 2 3 4 5 6 7 8 9 10

A
B
C
D
E

A
B
C
D



| | |
|--------|----|
| TP3000 | 2C |
| TP3001 | 3C |
| TP3002 | 2C |
| TP3003 | 3D |
| TP3004 | 3C |
| TP3005 | 3C |
| TP3006 | 3B |
| TP3007 | 3B |
| TP3008 | 3C |
| TP3009 | 3B |
| TP3010 | 3D |

| | | | | | | | |
|-------|------------|------------|------|---|------------|---|-------------|
| | | | | Datum | 08.10.2004 | Hydra MMI Assembled B2 Layout TESTPOINT DIAGRAMM (SIDE 2) | 3:1 |
| | | | | Bearb | kbr | | |
| | | | | Gepr. | | | |
| | | | | Norm | | | |
| | | | | COM MD PD HW4 AAL | | | |
| | | | | Siemens AG | | 183005 | Blatt 2- |
| 1 | 28876 | 29.06.2005 | kbr | | | | |
| Zust. | Mitteilung | Datum | Name | (Created by BOM number: A5B00900192201-28876) | | | |

1 2 3 4 5