

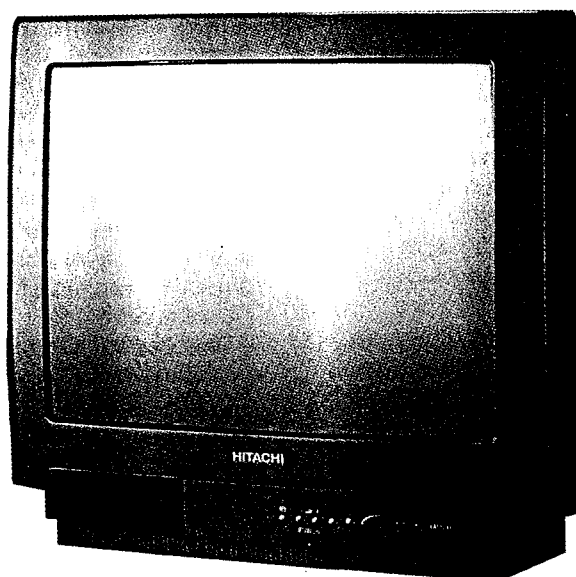
HITACHI

C2114R C2114T

SERVICE MANUAL SUPPLEMENT

CAUTION:

Before servicing this chassis, it is important that the service technician read the "Safety Precautions" and "Product Safety Notices" in this service manual.



TECHNICAL SPECIFICATIONS

TV standard	625 lines	Programme selectors	Channel UP/DOWN buttons with 60 programme remote control
Channel coverage	UHF channels 21-68	Speaker6 × 13 cm
Aerial input impedance	75 ohm unbalanced	Power consumption	Approx. 55 W
Intermediate frequencies		Picture tube	51 cm Type
I.F. Luminance	39.5 MHz	Dimensions:	
I.F. Sound	33.5 MHz	Width	508 mm
I.F. Chrominance	35.07 MHz	Height	478 mm
F.M. Sound	6.0 MHz	Depth	480 mm
Colour sub carrier	4.43 MHz	Weight	20 kg
Focusing	Electro static		
Mains voltage	240 V 50 Hz		
Fuse	T3 15A		

● Use this service supplement in conjunction with the service manual covering model C2514T, part No. X830842.

SAFETY PRECAUTIONS

WARNING: The following precautions should be observed.

1. Do not install, remove, or handle the picture tube in any manner unless shatter proof goggles are worn. People not so equipped should be kept away while picture tubes are handled. Keep the picture tube away from the body while handling.
2. When service is required, an isolation transformer should be inserted between the power line and the receiver before any service is performed on the chassis.
3. When replacing the chassis in the cabinet, ensure all the protective devices are put back in place, such as barriers, non-metallic knobs, adjustment or compartment covers or shields, isolation resistors/capacitors, etc.
4. When service is required, observe the original lead dressing. Extra precaution should be taken to assure correct lead dressing in the high voltage circuitry area. Particularly note the R.G.B. lead dressing. Ensure they are dressed well away from the horizontal scan and F.B.T. circuitry.
5. Always use the manufacturer's replacement component. Always replace original spacers and maintain lead lengths. Especially critical components are indicated thus Δ on the parts list and should not be replaced by other makes. Furthermore, where a short circuit has occurred, replace those components that indicate evidence of overheating.
6. Before returning a serviced receiver to the customer, the service technician must thoroughly test the unit to be certain that it is completely safe to operate without danger of electrical shock, and be sure that no protective device built into the instrument by the manufacturer has become defective, or inadvertently damaged during servicing.
Therefore, the following checks are recommended for the continued protection of the customers and service technicians.

INSULATION

Insulation resistance should not be less than $10M\Omega$ at 500V DC between the mains poles and any accessible metal parts.

Also, no flashover or breakdown should occur during the dielectric strength test, applying 3kV AC or 4.25kV DC for two seconds between the main poles and accessible metal parts.

HIGH VOLTAGE

High voltage should always be kept at the rated value of the chassis and no higher. Operating at higher voltages may cause a failure of the picture tube or high voltage supply, and also, under certain circumstances could produce X-radiation levels moderately in excess of design levels. The high voltage must not, under any circumstances, exceed 27kV on the chassis.

X-RADIATION

TUBES: The primary source of X-radiation in this receiver is the picture tube. The tube utilised for the above mentioned function in this chassis is specially constructed to limit X-radiation.

For continued X-radiation protection, replace tube with the same type as the original HITACHI approved type.

PRODUCT SAFETY NOTICE

Many electrical and mechanical parts in HITACHI television receivers have special safety related characteristics. These characteristics are often not evident from visual inspection, nor can the protection afforded by them necessarily be obtained by using replacement components rated for higher voltage, wattage, etc. Replacement parts which have these special safety characteristics are identified by marking with a Δ on the schematics and the replacement parts list contained in this Service Manual.

The use of a substitute replacement component which does not have the same safety characteristics as the HITACHI recommended replacement one, shown in the parts list in this Service Manual, may create electrical shock, fire, X-radiation, or other hazards.

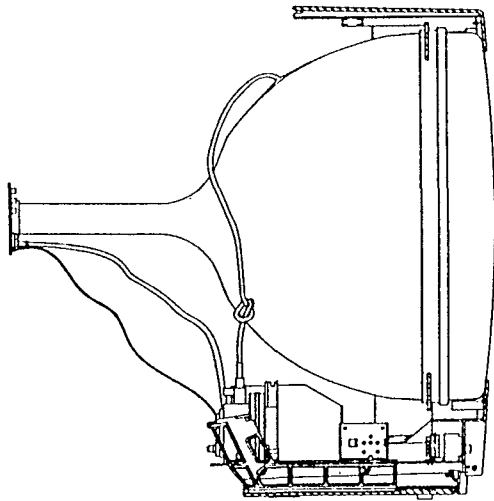
Product Safety is continuously under review, and new instructions are issued from time to time. For the latest information, always consult the current HITACHI Service Manual. A subscription to, or additional copies of HITACHI Service Manuals, may be obtained at a nominal charge from your HITACHI SALES CORPORATION.

TUBE DISCHARGE

The line output stage can develop voltages in excess of 25kV; if the E.H.T. cap is required to be removed, discharge the anode to chassis via a high value resistor, prior to its removal from the tube.

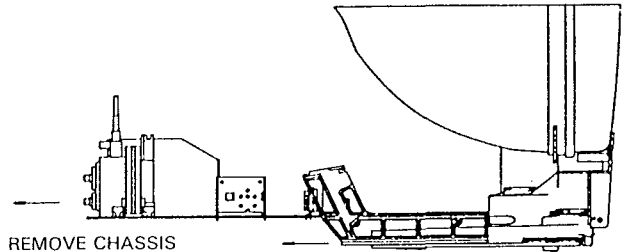
CHASSIS PARKING POSITION

To obtain the recommended parking position for servicing, follow the procedure shown in the drawings on this page.



DISCONNECT CABLE DRESSING

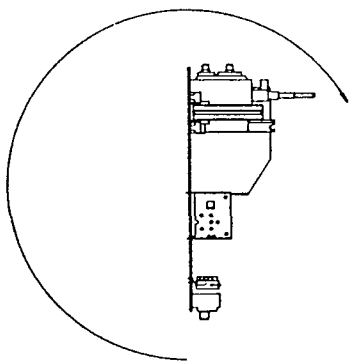
FIG 1



REMOVE CHASSIS

PULL CHASSIS RAILS TO CLICK

FIG 2



ROTATE CHASSIS THROUGH 170°

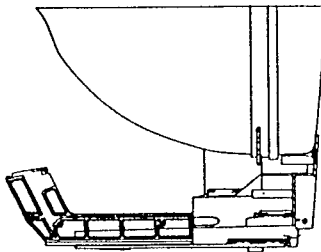


FIG 3

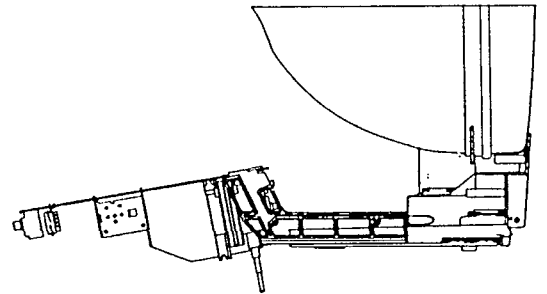
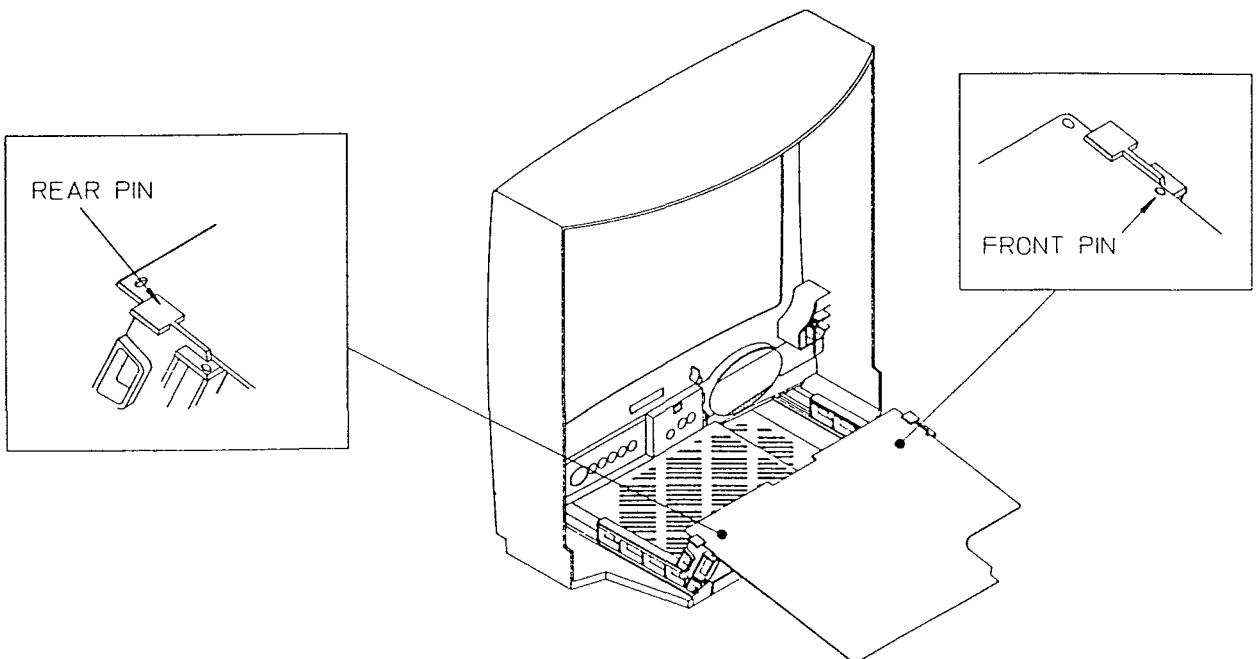
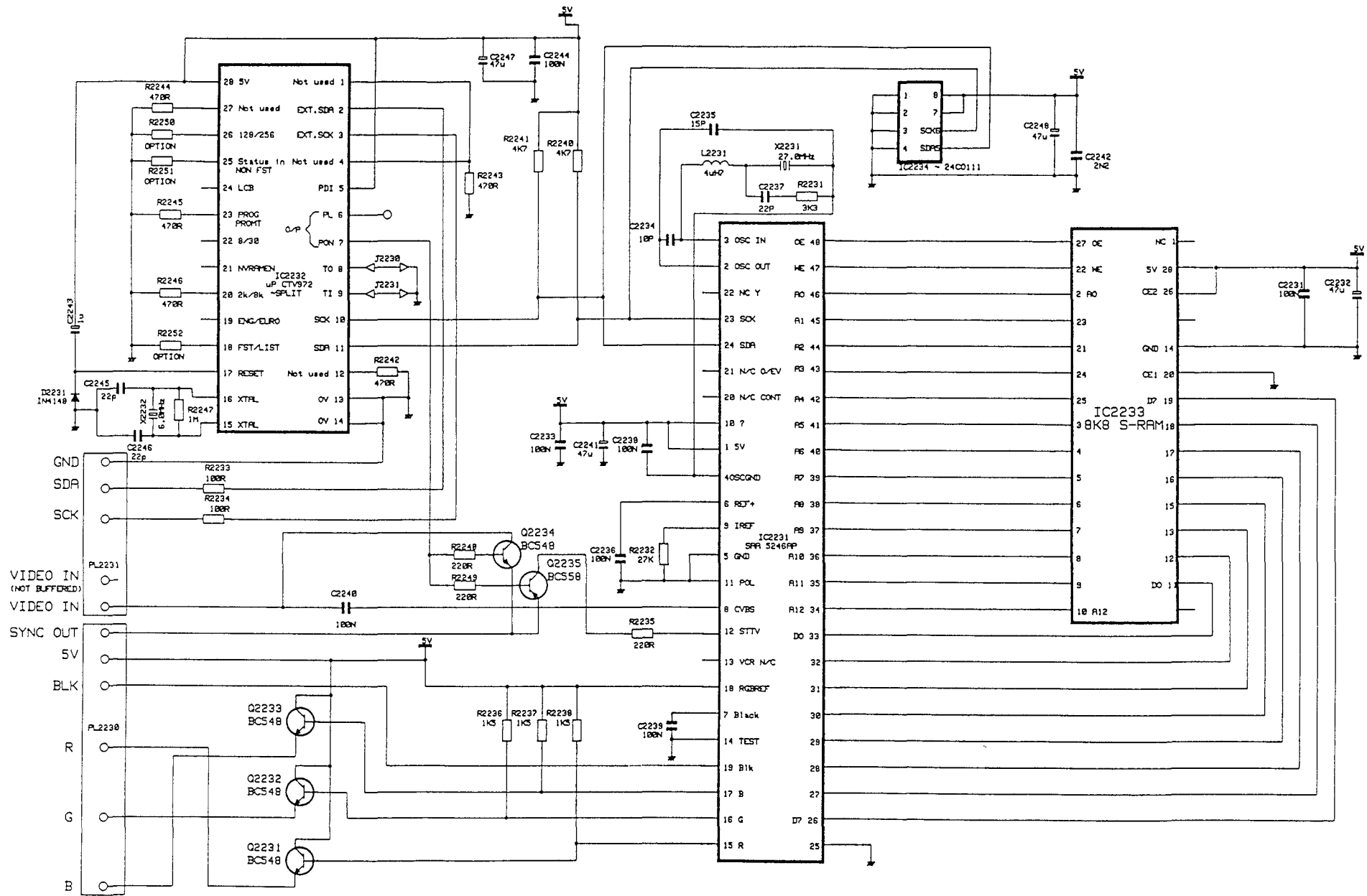


FIG 4

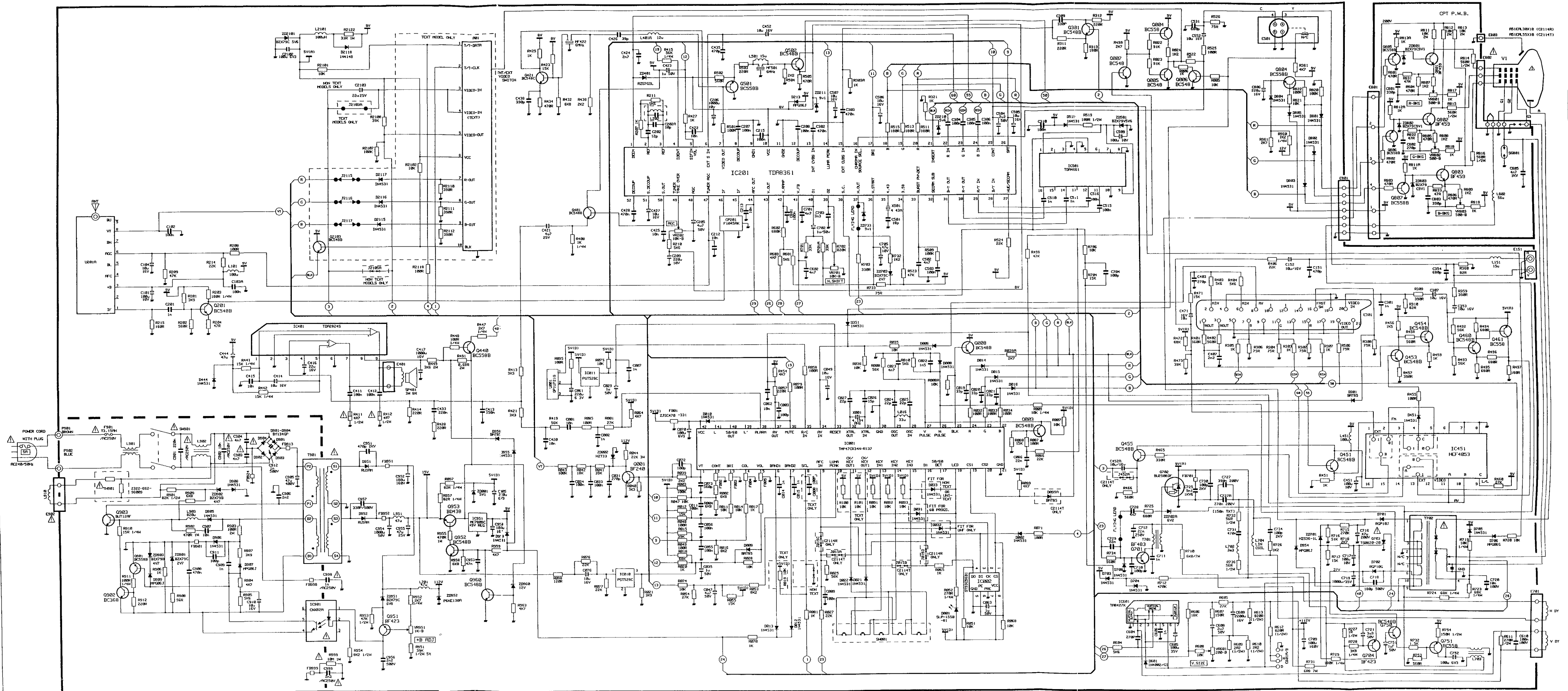
Chassis in parked position (Fig. 4)





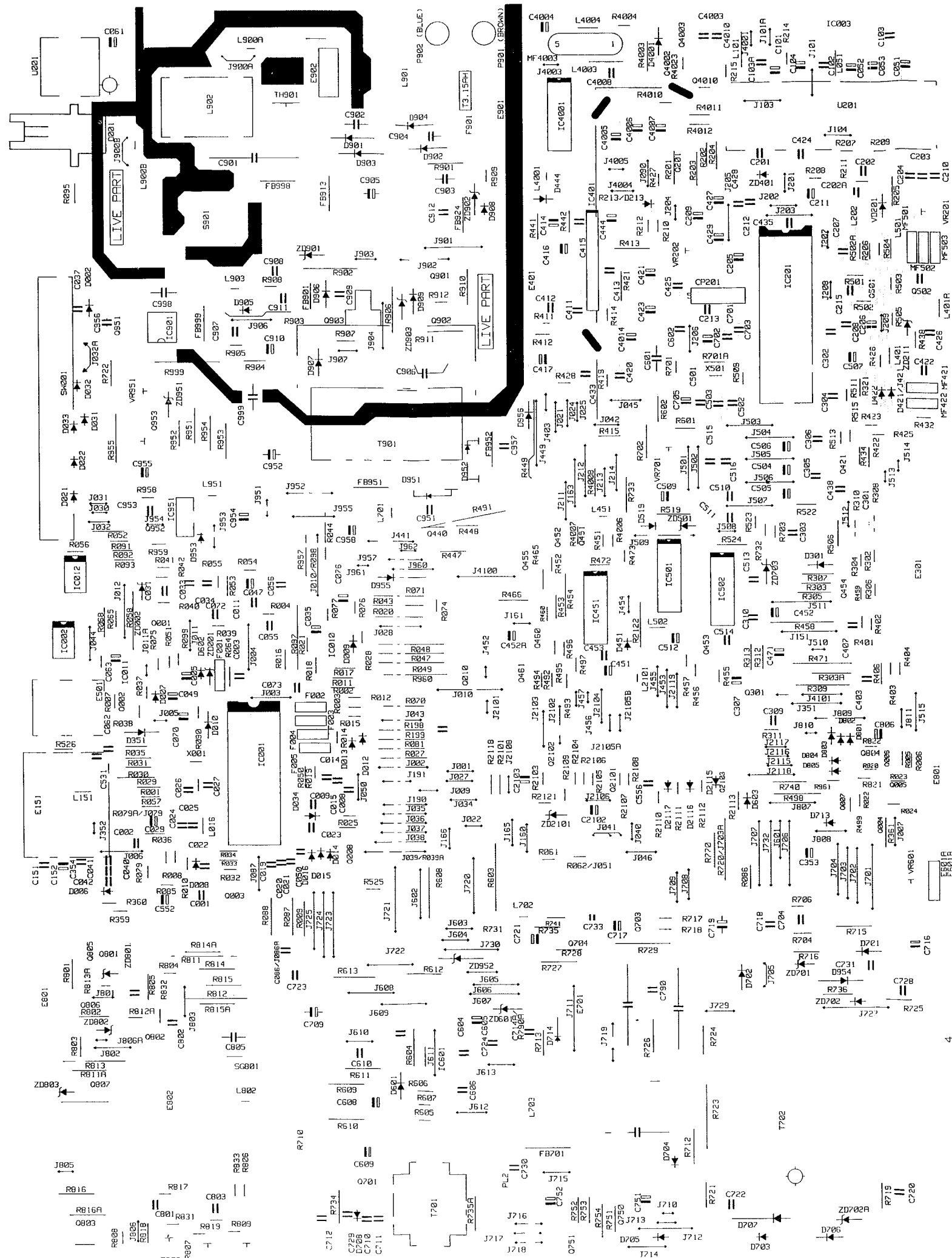
THIS CIRCUIT SUITS PC383.

TELETEXT CIRCUIT DIAGRAM



NOTES
 ALL RESISTORS ARE IN OHM AND ARE RATED 1/16 WATT (UNLESS SPECIFIED OTHERWISE)
 ALL CAPACITORS ARE IN FARAD
 ALL INDUCTORS ARE IN HENRY

MAIN CIRCUIT DIAGRAM



P.C.B.—PRINT SIDE

PRESENTATION PARTS

△ CRT Type A51EAL30X10 (C2114R)	T154011
CRT Type A51EAL55X10 (C2114T)	T154010
△ Cabinet Back	X263201
Cabinet Front Frame (C2114R)	X240401
Cabinet Front Frame (C2114T)	X240402
HITACHI Badge	X640251
I.R./L.E.D. LENS (Cabinet)	X425061
△ Mains Lead and Moulded Plug	E846629
Mains Switch Knob	X321081
Operating Guide	X830818
Quick Guide	X830817
Remote Control Handset CLE-876D	2572285
T.V. Stand Assembly	X711204

MISCELLANEOUS PARTS

△ CRT Socket	2698351
△ Degaussing Coil	2229991
△ Fuse Type T3.15A	2722445
Fuse Holder	2721793
Phono Sockets (AUDIO/VIDEO- IN)	2672073
△ ON/OFF Switch	2633391
21 Pin Scart Socket	E826923
Speaker	2411243
S-VHS Input Socket	2982811
Touch Button Block (SW001)	2632853
Tuner	E710035

B964655 > E670014

PRODUCT SAFETY NOTE: Components marked with a Δ have special characteristics important to safety. Before replacing any of these components, read carefully the PRODUCT SAFETY NOTICE of this service manual supplement. Don't degrade the safety of this receiver through improper servicing.

Ref No	Part No	Value	Type	Tol %	Wattage
R438	0700045M	2K2	CF	5	1/16
R441	R145330	15K	CF	5	1/4
R442	R145330	15K	CF	5	1/4
R447	R237330	2K7	CF	5	1/4
R448	R120330	100R	CF	5	1/16
R449	0147037AF	3R6	WW	10	2
R451	0700041M	1K0	CF	5	1/16
R454	0700049M	4K7	CF	5	1/16
R455	0700027M	100R	CF	5	1/16
R456	0700043M	1K5	CF	5	1/16
R457	0700035M	390R	CF	5	1/16
R458	0700037M	560R	CF	5	1/16
R459	0700041M	1K0	CF	5	1/16
R460	0700059M	27K	CF	5	1/16
R465	0700034M	330R	CF	5	1/16
R466	0700037M	560R	CF	5	1/16
R471	0700056M	15K	CF	5	1/16
R472	0700065M	68K	CF	5	1/16
R473	0700062M	39K	CF	5	1/16
R491	0147020AF	0R68	WW	10	2
R492	0700064M	56K	CF	5	1/16
R493	0700064M	56K	CF	5	1/16
R494	0700038M	680R	CF	5	1/16
R495	0700038M	680R	CF	5	1/16
R496	0700038M	680R	CF	5	1/16
R497	0700031M	180R	CF	5	1/16
R498	0700063M	47K	CF	5	1/16
R499	0700046M	2K7	CF	5	1/16
R501	0700027M	100R	CF	5	1/16
R502	0700037M	560R	CF	5	1/16
R503	0700032M	220R	CF	5	1/16
R504	0700045M	2K2	CF	5	1/16
R505	0700036M	470R	CF	5	1/16
R506	0187038M	75R	CF	5	1/16
R509	0700067M	100K	CF	5	1/16
R511	0700031M	180R	CF	5	1/16
R513	0700031M	180R	CF	5	1/16
R515	0700031M	180R	CF	5	1/16
R519	R120319	100R	CF	5	1/2
R522	0700041M	1K0	CF	5	1/16
R523	0700063M	47K	CF	5	1/16
R524	0700058M	22K	CF	5	1/16
R525	0700027M	100R	CF	5	1/16
R526	0187038M	75R	CF	5	1/16
R601	0700051M	5K6	CF	5	1/16
VR601	0160421R	200R	VR	VERTICAL	SIZE
R602	0179557M	680K	MF	5	1/8
R603	0179538M	4M7	MF	5	1/8
R604	0700051M	5K6	CF	5	1/16
R605	0700059M	27K	CF	5	1/16
R606	0700057M	18K	CF	5	1/16
R607	0700029M	150R	CF	5	1/16
R608	0700054M	10K	CF	5	1/16
R609	R202319	2R2	CF	5	1/2
R610	R202319	2R2	CF	5	1/2
R611	R227319	270R	CF	5	1/2
R612	R822319	820R	CF	5	1/2
R613	R822319	820R	CF	5	1/2
R701	0700061M	33K	CF	5	1/16
VR701	0160215R	10K	VR	HORIZ	PHASE
R701A	0700061M	33K	CF	5	1/16
R702	0179558M	820K	MF	5	1/8
R703	0700034M	330R	CF	5	1/16
R704	0700056M	15K	CF	5	1/16
R706	0700054M	10K	CF	5	1/16
R710	0145045	6K8	WW	10	7
R712	R457714	470K	MF	5	1/2
R715	0119665M	270K	MF	1	1/8
R716	0119648M	51K	MF	1	1/8
R717	0700056M	15K	CF	5	1/16
R718	0700046M	2K7	CF	5	1/16
R719	R140330	10K	CF	5	1/4
R720	0700054M	10K	CF	5	1/16
R723	R648330	68K	CF	5	1/4
R724	R648330	68K	CF	5	1/4
R725	R628330	680R	CF	5	1/4

Ref No.	Part No.	Value	Type	Tol %	Wattage
R726	R132319	1K2	CF	5	1/2
R727	R100542	1R0	MO	5	1
R728	R339330	3K9	CF	5	1/4
R729	R158330	180K	CF	5	1/4
R732	R516319	56R	CF	5	1/2
R732	0700043M	1K5	CF	5	1/16
R733	0113722M	75R	CF	5	1/2
R734	0700037M	560R	CF	5	1/16
R736	R516319	56R	CF	5	1/2
R753	R628330	689R	CF	5	1/4
R754	R125319	150R	CF	5	1/2
R770	0179563M	3M3	MF	5	1/8
R801-06	0700036M	470R	CF	5	1/16
VR801	0160413R	500R	VR	RED	BACKGROUND
VR802	0160413R	500R	VR	GREEN	BACKGROUND
VR803	0160413R	500R	VR	BLUE	BACKGROUND
R807	0700042M	1K2	CF	5	1/16
R808	0700042M	1K2	CF	5	1/16
R809	0700042M	1K2	CF	5	1/16
R811	0110269S	10K	MO	5	2
R811A	0700041M	1K0	CF	5	1/16
R812	0110269S	10K	MO	5	2
R812A	0700041M	1K0	CF	5	1/16
R813	0110269S	10K	MO	5	2
R813A	0700041M	1K0	CF	5	1/16
R814	R526319	560R	CF	5	1/2
R815	R526319	560R	CF	5	1/2
R816	R526319	560R	CF	5	1/2
R817	0700041M	1K0	CF	5	1/16
R818	0700041M	1K0	CF	5	1/16
R819	0700041M	1K0	CF	5	1/16
R820	0700067M	100K	CF	5	1/16
R821	0700054M	10K	CF	5	1/16
R822	0700027M	100R	CF	5	1/16
R831	0700023M	47R	CF	5	1/16
R832	0700023M	47R	CF	5	1/16
R833	0700023M	47R	CF	5	1/16
R901	R842319	82K	CF	5	1/2
R902	0110137S	470R	MO	5	1
R903	0110221S	100R	MO	5	1
R904	0700049M	4K7	CF	5	1/16
R905	0700051M	5K6	CF	5	1/16
R906	0700041M	1K0	CF	5	1/16
R907	0700048M	3K9	CF	5	1/16
R908	0700027M	100R	CF	5	1/16
R909	0700052M	6K8	CF	5	1/16
R910	R115330	15R	CF	5	1/4
R911	R120330	100R	CF	5	1/4
R912	0700032M	220R	CF	5	1/16
R951	R349319	39K	CF	5	1/2
VR951	0160211R	1K0	VR	HT	PRESET
R952	R237330	2K7	CF	5	1/4
R953	R447319	47K	CF	5	1/2
R954	R832319	8K2	CF	5	1/2
R955	0110137S	470R	MO	5	1
R957	R812330	82R	CF	5	1/4
R958	0700052M	6K8	CF	5	1/16
R959	0700049M	4K7	CF	5	1/16
R960	R132330	1K2	CF	5	1/4
R961	0700046M	2K7	CF	5	1/16
R963	0700049M	4K7	CF	5	1/16
Δ R999	R170727	10M	MF	5	1
R2101	0700054M	10K	CF	5	1/16
*R2102	0700054M	10K	CF	5	1/16
R2107	0700067M	100K	CF	5	1/16
R2108	0700062M	39K	CF	5	1/16
*R2110	0700035M	390R	CF	5	1/16
*R2111	0700035M	390R	CF	5	1/16
*R2112	0700035M	390R	CF	5	1/16
R2118	0700027M	100R	CF	5	1/16
R2122	0110109S	33R	MO	5	1
*R2231	0700047M	3K3	CF	5	1/16
*R2232	0700059M	27K	CF	5	1/16
*R2233	0700027M	100R	CF	5	1/16
*R2234	0700027M	100R	CF	5	1/16

PRODUCT SAFETY NOTE: Components marked with a Δ have special characteristics important to safety. Before replacing any of these components, read carefully the PRODUCT SAFETY NOTICE of this service manual supplement. Don't degrade the safety of this receiver through improper servicing.

Ref No.	Part No.	Value	Type	Tol %	Wattage
*R2235	0700032M	220R	CF	5	1/16
*R2236	0700043M	1K5	CF	5	1/16
*R2237	0700043M	1K5	CF	5	1/16
*R2238	0700043M	1K5	CF	5	1/16
*R2240	0700049M	4K7	CF	5	1/16
*R2241	0700049M	4K7	CF	5	1/16
*R2242-45	0700036M	470R	CF	5	1/16
*R2247	0700081M	1M0	CF	5	1/16
*R2248	0700032M	220R	CF	5	1/16
*R2249	0700032M	220R	CF	5	1/16
*R2255	0700067M	100K	CF	5	1/16

Ref No	Part No	Value	Type	Tol %	Wattage

PRODUCT SAFETY NOTE: Components marked with a Δ have special characteristics important to safety. Before replacing any of these components, read carefully the PRODUCT SAFETY NOTICE of this service manual supplement. Don't degrade the safety of this receiver through improper servicing.

Ref No	Part No.	Value	Type	Tol %	Voltage
C001	0890101R	10n	C	-	50
C002	0890087R	1n0	C	-	50
C003	0890074R	100p	C	5	50
C005	0800056R	220u	EL	-	6 3
C007	C130877	1n0	C	10	25
*C008	0890074R	100p	C	5	50
C009	0880057R	100n	PF	10	50
C011	0880057R	100n	PF	10	50
C014	0890087R	1n0	C	-	50
C015	0890087R	1n0	C	-	50
C019	0890067M	33p	C	5	50
C020	0890067M	33p	C	5	50
C021	0890067M	33p	C	5	50
C022	0890089R	1n5	C	10	50
C023	0880039R	4n7	PF	10	50
C024	0890065R	22p	C	5	50
C025	0890065R	22p	C	5	50
C026	0890116R	15p	C	5	50
C027	0890118R	22p	C	5	50
C029	0800003R	1u0	EL	-	50
C031	0890079R	270p	C	10	50
C033	0880057R	100n	PF	10	50
C034	0880057R	100n	PF	10	50
C035	0800003R	1u0	EL	-	50
C047	0800012R	4u7	EL	-	50
C049	0800015R	10u	EL	-	16
C055	0880057R	100n	PF	10	50
C056	0880057R	100n	PF	10	50
C061	0800056R	220u	EL	-	6 3
C062	0890101R	10n	C	10	50
C063	0800057R	220u	EL	-	10
C070	0800047R	100u	EL	-	6 3
C072	0890074R	100p	C	5	50
C073	0890084R	560p	C	10	50
C076	0800015R	10u	EL	-	16
C086	0880048R	22n	PF	10	50
C101	0800048R	100u	EL	-	10
C102	0880057R	100n	PF	10	50
C103A	0880057R	100n	PF	10	50
C104	0800015R	10u	EL	-	16
C151	0890083R	470p	C	10	50
C152	0800015R	10u	EL	-	16
C201	0890087R	1n0	C	-	50
C202	0890115R	12p	C	5	50
C202A	C110182	10p	C	2	50
C205	0800012R	4u7	EL	-	50
C206	0254509	1000u	EL	-	50
C207	0276717R	100n	PF	5	50
C208	0276717R	100n	PF	5	50
C209	0800057R	220u	EL	-	10
C212	0890101R	10n	C	-	50
C213	0890101R	10n	C	-	50
C215	0880057R	100n	PF	10	50
C301	0890087R	1n0	C	-	50
C302	C457715	470n	MPO	10	63
C303	C457715	470n	MPO	10	63
C304	0880057R	100n	PF	10	50
C305	0880057R	100n	PF	10	50
C306	0880057R	100n	PF	10	50
C307	0800015R	10u	EL	-	16
C309	0890081R	330p	C	10	50
C310	0880057R	100n	PF	10	50
C353	0800015R	10u	EL	-	16
C354	0890085R	680p	C	-	50
C403	0890079R	270p	C	10	50
C407	0890092R	2n2	C	10	50
C411	0880057R	100n	PF	10	50
C412	0880057R	100n	PF	10	50
C413	0880059R	150n	PF	10	50
C414	0800015R	10u	EL	-	16
C415	0880044R	10n	PF	10	50
C416	0800023R	22u	EL	-	16
C417	0800082	1000u	EL	-	16
C420	0880044R	10n	PF	10	50
C421	0800009R	4u7	EL	-	25
C422	0880044R	10n	PF	10	50

Ref No.	Part No.	Value	Type	Tol %	Voltage
C423	0800003R	1u0	EL	-	50
C424	0880036R	2n7	PF	10	50
C425	0880044R	10n	PF	10	50
C426	0890122R	39p	C	5	50
C427	0800015R	10u	EL	-	16
C428	C457715	470n	MPO	10	63
C433	0880062R	220n	PF	10	50
C435	0890083R	470p	C	10	50
C438	0890082R	390p	C	-	50
C444	0800041R	47u	EL	-	16
C451	0800048R	100u	EL	-	10
C452	0800015R	10u	EL	-	16
C452A	0800015R	10u	EL	-	16
C471	0800015R	10u	EL	-	16
C501	0890117R	18p	C	5	50
C502	0880039R	4n7	PF	10	50
C503	0880057R	100n	PF	10	50
C504	0800005R	2u2	EL	-	50
C505-07	0800015R	10u	EL	-	16
C509	0800048R	100u	EL	-	10
C510	0890087R	1n0	C	-	50
C511	0890087R	1n0	C	-	50
C515	0880057R	100n	PF	10	50
C516	0880057R	100n	PF	10	50
C531	0890085R	680p	C	-	50
C552	0800015R	10u	EL	-	16
C601	0278331	100n	PF	5	50
C602	0880039R	4n7	PF	10	50
C604	0890079R	270p	C	10	50
C605	0800328R	100u	EL	-	35
C606	0890087R	1n0	C	-	50
C608	0800005R	2u2	EL	-	50
C609	0252969	2200u	EL	-	25
C610	0276345R	220n	PF	10	100
C701	0880039R	4n7	PF	10	50
C702	0800003R	1u0	EL	-	50
C703	0244107R	3n3	C	10	50
C704	0890074R	100p	C	5	50
C705	0800039R	47u	EL	-	10
C709	0259152	100u	EL	-	160
C710	0890074R	100p	C	5	50
C711	0244501R	1n0	C	10	500
C712	0250511R	22n	PF	10	250
C716	0255031	47u	EL	-	200
C717	0800048R	100u	EL	-	10
C718	0243504R	180p	C	10	500
C719	0800084	1000u	EL	-	35
C720	0279687R	10n	PF	10	50
C721	0800007R	3u3	EL	-	50
C725	0299723	9n1	PF	10	1600
C727	0299933	390n	PF	10	200
C727A	0299928	150n	PF	10	200
C728	C437715	4n7	MPO	10	63
C729	0880048R	22n	PF	10	50
C730	0246344	100p	C	10	2000
C731	C457715	470n	MPO	10	63
C734	0246344	100p	C	10	2000
C751	0800003R	1u0	EL	-	50
C752	0800047R	100u	EL	-	6 3
C790	0246344	100p	C	10	2000
C801	0890081R	330p	C	10	50
C802	0890079R	270p	C	10	50
C803	0890082R	390p	C	10	50
C805	0245612	4n7	C	10	1000
C806	0800057R	220u	EL	-	10
C901	0279698	220n	C	10	250AC
Δ C902	0249396	10n	C	10	250AC
Δ C903	0249395	4n7	C	10	250AC
Δ C904	0249395	4n7	C	10	250AC
C905	0253873	47u	EL	-	400
C906	0244215	2n2	C	10	2000
C907	0880044R	10n	PF	10	50
C908	C457715	470n	MPO	10	63
C909	0880033R	1n0	PF	10	50
C910	0800015R	10u	EL	-	16
C911	0890074R	100p	C	5	50

PRODUCT SAFETY NOTE: Components marked with a Δ have special characteristics important to safety. Before replacing any of these components, read carefully the PRODUCT SAFETY NOTICE of this service manual supplement. Don't degrade the safety of this receiver through improper servicing.

Ref No.	Part No.	Description
IC001	2001558	TMP47C834N-R137
*IC001	2001784	TMP47C1237N
IC002	2007653	ST93CS56B1
IC010	2009401R	PST529C
IC011	2009401R	PST529C
IC201	T900567	TDA8361-N3
IC401	2004451	TDA2824S
IC451	2004471	HEF4053
IC501	2003652	TDA4661
IC601	2003951	TA8427K
Δ IC901	2917781	CNX82A
IC951	2000252	MC7809CT
*IC2231	T900581	SAA5246AP
*IC2232	T900580	CTV972-S
*IC2233	T900582	8K8 S-RAM
*IC2234	E740016	ST24C02-PP 1-45
Q001	T633134	BF240
Q003	T631275	BC548B
Q004	T631276	BC558B
Q005-08	T631275	BC548B
Q201	T631275	BC548B
Q301	T631275	BC548B
Q401	T631275	BC548B
Q421	T631276	BC558B
Q440	T631276	BC558B
Q451	T631275	BC548B
Q453-55	T631275	BC548B
Q460	T631275	BC548B
Q461	T631276	BC558B
Q501	T631276	BC558B
Q502	T631275	BC548B
Q701	T633140	BF483
Q702	2315161	TRS-ON4785/BU2508DF
Q703	T732013	TS0820-20
Q704	T633138	BF423
Q750	T631275	BC548B
Q801	T633137	BF459
Q802	T633137	BF459
Q803	T633137	BF459
Q804	T631276	BC558B
Q805	T631276	BC558B
Q806	T631276	BC558B
Q807	T631276	BC558B
Q901	T631276	BC558B
Q902	T631291	BC368
Q903	2314791	BUT12AF
Q951	T633138	BF423
Q952	T631275	BC548B
Q953	2315611	BD438
Q960	T631275	BC548B
*Q2103	T631275	BC548B
*Q2231-34	T631275	BC548B
*Q2235	T631276	BC558B
D001	2483551	SLP-155B-81
D002	2348921M	IN4531
D006	2348921M	IN4531
D008	2348921M	IN4531
D009	T531055	BAT85
D010	2348921M	IN4531
D012-16	2348921M	IN4531
D021	2348921M	IN4531
D022	2348921M	IN4531
D031	2348921M	IN4531
D032	2348921M	IN4531
D033	2348921M	IN4531
*D099A	T531055	BAT85
D213	2343963M	MPG06J
D301	T531055	BAT85
D351	2348921M	IN4531
D444	2348921M	IN4531
D451	2348921M	IN4531
D519	2348921M	IN4531
D601	T531063	IN4002
D701	2343942M	RGPI0J
D702	2343941M	RGPI0G
D703	2348921M	IN4531
D704	2348921M	IN4531
D705	2348921M	IN4531

Ref No.	Part No.	Description
D706	2343962M	MPG06G
D708	2348921M	IN4531
D801-05	2348921M	IN4531
D901-04	2344111M	BY134GP
D905	2348921M	IN4531
D906	2348921M	IN4531
D907	2343963M	MPG06J
D908	2348921M	IN4531
D909	2343963M	MPG06J
D951	2336612	RU3AM
D952	2336612	RU3AM
D953	2348921M	IN4531
D954	2343963M	MPG06J
D955	2348921M	IN4531
D956	T531055	BAT85
*D2115	2348921M	IN4531
*D2116	2348921M	IN4531
*D2117	2348921M	IN4531
D2118	2348921M	IN4531
*D2231	T531053	IN4148
ZD001	T536201	BZX79B5V1
ZD002	2335991M	HZT33-02TA
ZD210	T536224	BZX79B5V6
ZD211	T536184	BZX79C9V1
ZD401	2339061M	HZS7C1L
ZD501	T536185	BZX79C5V6
ZD701	2339251M	HZS36-ILT
ZD702A	T536225	BZX79B6V2
ZD703	T536190	BZX79C2V7
ZD733	T536184	BZX79CV1
ZD801	T536184	BZX79C9V1
ZD802	T536184	BZX79C9V1
ZD803	T536184	BZX79C9V1
ZD901	T536190	BZX79C2V7
ZD902	T536223	BZX79B4V7
ZD903	T536223	BZX79B4V7
ZD951	T536175	BZX79C6V8
ZD952	2344121M	P6KE130A
ZD960	T536177	BZX79C12V
ZD2101	T536174	BZX79C5V1
L016	2123109M	33uH COIL
L101	2122956M	100uH COIL
L151	2123105M	15uH COIL
L202	2145877	AFC FILTER COIL
L401A	2122944M	12uH AXIAL COIL
L451	2123781R	100uH FILTER COIL
L501	2123105M	15uH COIL
L701	2123334	47uH FILTER COIL AND CORE
L702	2123728R	3.3mH COIL
L703	2274772	VARIABLE INDUCTOR
L704	2229522	LINEARITY COIL
L802	2122093	56uH FIXED INDUCTOR
L901	2122694	LINE FILTER COIL
L902	2124531	LINE FILTER COIL
L903	2125596	820uH CHOKE COIL
L951	2125579	47uH CHOKE COIL
L2101	2123781R	100uH FILTER COIL
*L2231	2122938M	4 7uH AXIAL COIL
T701	2260291	HORIZ DRIVE TRANSFORMER
T702	2435066	FLYBACK TRANSFORMER
Δ T901	2229751	SWITCH MODE TRANSFORMER
FILTERS, CRYSTALS etc.		
CP201	2305341	SAW FILTER F1045AK
F001-05	2791759R	FILTERS
MF422	2142603	6MHz CERAMIC FILTER
MF501	2142244	6MHz CERAMIC TRAP
SG801	2340037	SPARK GAP
TH901	E441044	THERMISTOR
U001	2574741	I R AMPLIFIER UNIT
X001	2168461	4 194MHz CRYSTAL
X501	2168741	4 43MHz CRYSTAL
*X2231	E516045	27MHz CRYSTAL
*X2232	2940241	6MHz CRYSTAL

PRODUCT SAFETY NOTE: Components marked with a Δ have special characteristics important to safety. Before replacing any of these components, read carefully the PRODUCT SAFETY NOTICE of this service manual supplement. Don't degrade the safety of this receiver through improper servicing.

Resistor Abbreviation	Type
CF	Carbon Film
MO	Metal Oxide
FF	Fusible Film
VR	Variable Control
MF	Metal Film
WW	Wire Wound

Capacitor Abbreviation	Type
C	Ceramic
PF	Plastic Film
FT	Feed Through
MPO	Met Polyester
MPS	Mica/Polystyrene
MP	Metallised Paper
TA	Tantalum

N.B. The parts marked * in the following parts list are unique to C2114T models only.

Ref No.	Part No.	Value	Type	Tol %	Wattage
R001	0700059M	27K	CF	5	1/16
R002	0700052M	6K8	CF	5	1/16
R003	0700067M	100K	CF	5	1/16
R004	0700052M	6K8	CF	5	1/16
R005	0700054M	10K	CF	5	1/16
R006	0700041M	1K0	CF	5	1/16
R007	0700054M	10K	CF	5	1/16
R008	0700064M	56K	CF	5	1/16
R008A	0700054M	10K	CF	5	1/16
R009	R140319	10K	CF	5	1/2
R010	0700051M	5K6	CF	5	1/16
R011	0700054M	10K	CF	5	1/16
R012	0700056M	15K	CF	5	1/16
R014	0700054M	10K	CF	5	1/16
R015	0700062M	39K	CF	5	1/16
R016	0700053M	8K2	CF	5	1/16
R017	0700041M	1K0	CF	5	1/16
R018	0700065M	68K	CF	5	1/16
R019	0700054M	10K	CF	5	1/16
R020	0700041M	1K0	CF	5	1/16
R021	0700048M	3K9	CF	5	1/16
R022	0187112M	91K	CF	5	1/16
R023	0187112M	91K	CF	5	1/16
R024	0700042M	1K2	CF	5	1/16
R025	0700064M	56K	CF	5	1/16
R027	0700058M	22K	CF	5	1/16
R028	0700054M	10K	CF	5	1/16
R032	0700027M	100R	CF	5	1/16
R033	0700027M	100R	CF	5	1/16
R034	0700027M	100R	CF	5	1/16
R035	0700054M	10K	CF	5	1/16
R036	0700054M	10K	CF	5	1/16
R039	0700045M	2K2	CF	5	1/16
R039A	0700046M	2K7	CF	5	1/16
R040	0700047M	3K3	CF	5	1/16
R041	0700062M	39K	CF	5	1/16
R042	0700057M	18K	CF	5	1/16
R043	0700067M	100K	CF	5	1/16
R044	0110281S	33K	MO	5	2
R047	0700054M	10K	CF	5	1/16
R048	0700027M	100R	CF	5	1/16
R049	0700027M	100R	CF	5	1/16
R051	0700054M	10K	CF	5	1/16
R052	R227330	270R	CF	5	1/4
R053	0700053M	8K2	CF	5	1/16
R054	0700059M	27K	CF	5	1/16
R055	0700056M	15K	CF	5	1/16
R056	0700027R	100R	CF	5	1/16
R057	0700032M	220R	CF	5	1/16
R058	0700027M	100R	CF	5	1/16
R062	0700027M	100R	CF	5	1/16
R064	0700049M	4K7	CF	5	1/16
R065	0700041M	1K0	CF	5	1/16
R068	0700054M	10K	CF	5	1/16
R070	0700041M	1K0	CF	5	1/16
R071	0700027M	100R	CF	5	1/16
R074	0700054M	10K	CF	5	1/16
R075	0700054M	10K	CF	5	1/16
R076	0700058M	22K	CF	5	1/16
R077	0700058M	22K	CF	5	1/16
R079	0700027M	100R	CF	5	1/16

Ref No	Part No	Value	Type	Tol %	Wattage
R081	0700041M	1K0	CF	5	1/16
R085	0700027M	100R	CF	5	1/16
R086	0700058M	22K	CF	5	1/16
R087	0700027M	100R	CF	5	1/16
R088	0700056M	15K	CF	5	1/16
R091	0700054M	10K	CF	5	1/16
R093	0700054M	10K	CF	5	1/16
R095	0700027M	100R	CF	5	1/16
R097	R812330	82R	CF	5	1/4
R098	0700028M	120R	CF	5	1/16
R099	0700049M	4K7	CF	5	1/16
R100	0700054M	10K	CF	5	1/16
R101	0700054M	10K	CF	5	1/16
R201	0700048M	3K9	CF	5	1/16
R202	0700037M	560R	CF	5	1/16
VR202	0160215R	10K	VR	AGC	ADJUST
R203	R128330	180R	CF	5	1/4
R204	0700023M	47R	CF	5	1/16
R207	0700041M	1K0	CF	5	1/16
R208	0700027M	100R	CF	5	1/16
R209	0700063M	47K	CF	5	1/16
R210	0700051M	5K6	CF	5	1/16
R211	0700051M	5K6	CF	5	1/16
R214	0700058M	22K	CF	5	1/16
R215	0700031M	180R	CF	5	1/16
R302	0187038M	75R	CF	5	1/16
R303	0700041M	1K0	CF	5	1/16
R303A	0700041M	1K0	CF	5	1/16
R304	0187038M	75R	CF	5	1/16
R305	0700041M	1K0	CF	5	1/16
R306	0187038M	75R	CF	5	1/16
R307	0700041M	1K0	CF	5	1/16
R308	0187038M	75R	CF	5	1/16
R309	0700035M	390R	CF	5	1/16
R310	0700026M	82R	CF	5	1/16
R311	0700032M	220R	CF	5	1/16
R312	0700032M	220R	CF	5	1/16
R313	0700031M	180R	CF	5	1/16
R321	0700041M	1K0	CF	5	1/16
R359	0700035M	390R	CF	5	1/16
R360	0700026M	82R	CF	5	1/16
R361	0700049M	4K7	CF	5	1/16
R401	0700037M	560R	CF	5	1/16
R402	0700037M	560R	CF	5	1/16
R403	0187086M	7K5	CF	5	1/16
R404	0187086M	7K5	CF	5	1/16
R406	0700058M	22K	CF	5	1/16
R408	R130330	1K0	CF	5	1/4
R411	R407551	4R7	FF	5	1/2
R412	R407551	4R7	FF	5	1/2
R413	0700047M	3K3	CF	5	1/16
R414	0700032M	220R	CF	5	1/16
R415	R546330	56K	CF	5	1/4
R419	0700064M	56K	CF	5	1/16
R421	0700047M	3K3	CF	5	1/16
R423	0700056M	15K	CF	5	1/16
R425	0700041M	1K0	CF	5	1/16
R427	0700041M	1K0	CF	5	1/16
R428	0700032M	220R	CF	5	1/16
R432	0700052M	6K8	CF	5	1/16
R434	0700036M	470R	CF	5	1/16

R49B
47K

Δ
 Δ

HITACHI

HITACHI LTD. TOKYO JAPAN
International Sales Division,
THE HITACHI ATAGO BLDG.
No. 15 -12 Nishi-Shinbashi, 2 - Chome,
Minato-Ku, Tokyo 105, Japan
Tel. Tokyo 3 32581111

HITACHI SALES EUROPA GmbH
Am Seestern 18,
40547 Düsseldorf,
Germany
Tel. 0211 5291 50

HITACHI SALES (HELLAS) S.A.
91, Falirou Street, 117-41 Athens,
Greece
Tel. 92 42-620-4

HITACHI HOME ELECTRONICS (EUROPE) Ltd.
Hitachi House, Station Road, Hayes,
Middlesex UB3 4DR,
England
Tel. 0181 849 2000

HITACHI SALES IBERICA, S.A.
Gran Via Carlos Tercero.101,1 -1
Barcelona 08028
Tel. 3- 330.86.52

HITACHI FRANCE (RADIO-T.V.-ELECTRO-MENAGER) S.A.
4, allée des Sorbiers,
Parc d'active de Chêne,
69671 BRON Cedex,
France
Tel. 72 14-29-70

HITACHI HOME ELECTRONICS NORDIC
Domnarvsgatan 29 Lunda, Box 62
S-163 91 Spanga,
Sweden
Tel. 08 621 8250

**Scan & PDF-Design: Schaltungsdienst
Lange oHG
Verlag technische Druckschriften**

**Zehrendorfer Straße 11
D-12277 Berlin**

<http://www.schaltungsdienst.com>