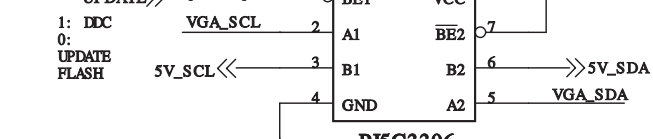
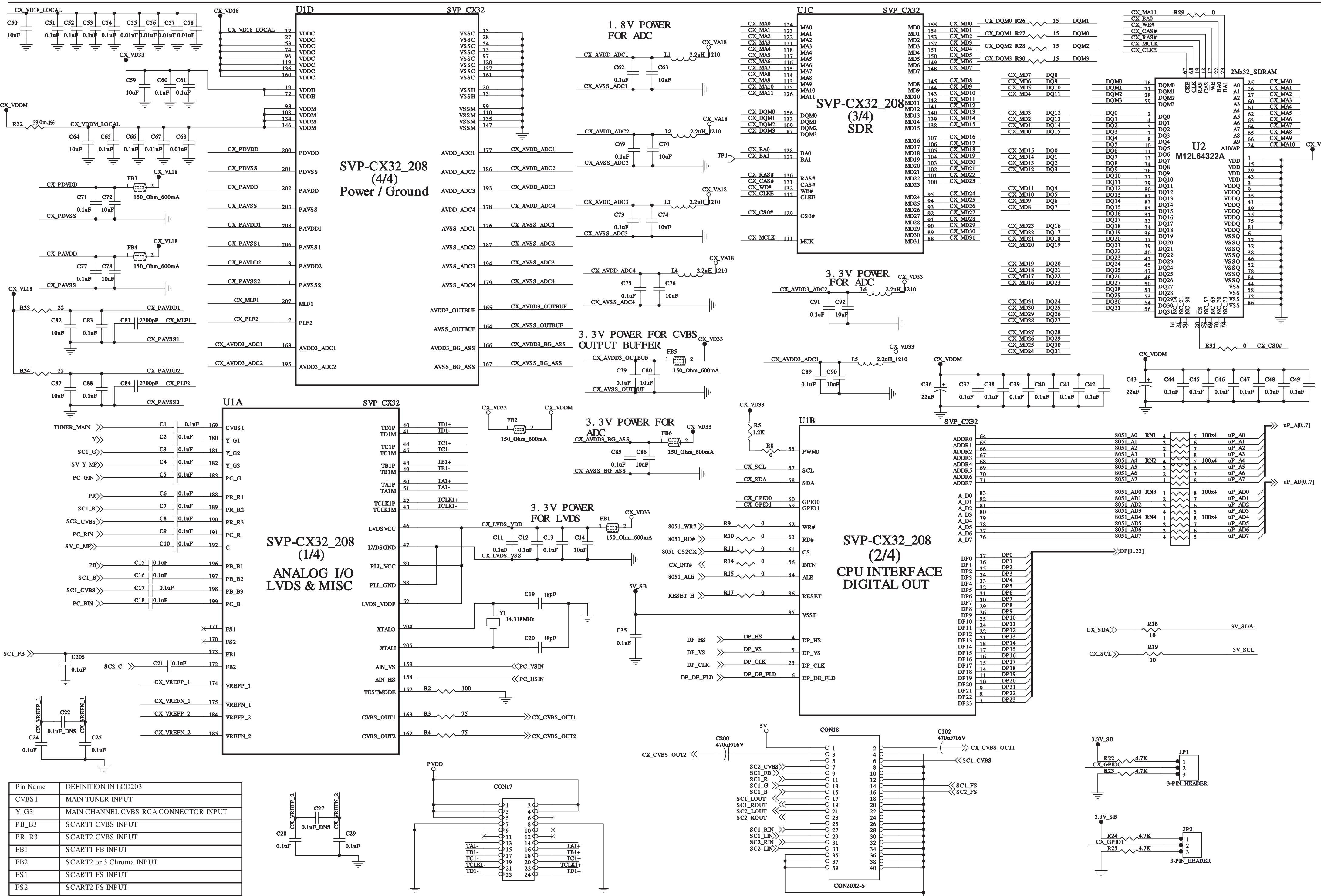


INPUT		OUTPUT
L/R_SW3	L/R_SW4	X,Y
0	0	0 (S-VIDEO)
0	1	1 (VIDEO)





SVP-CX32_208 (4/4) Power / Ground

1.8V POWER FOR ADC

SVP-CX32_208 (3/4) SDR

3.3V POWER FOR CVBS OUTPUT BUFFER

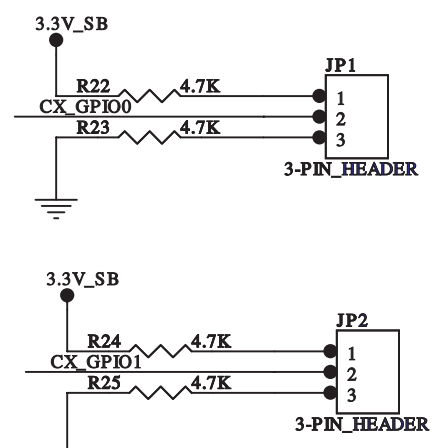
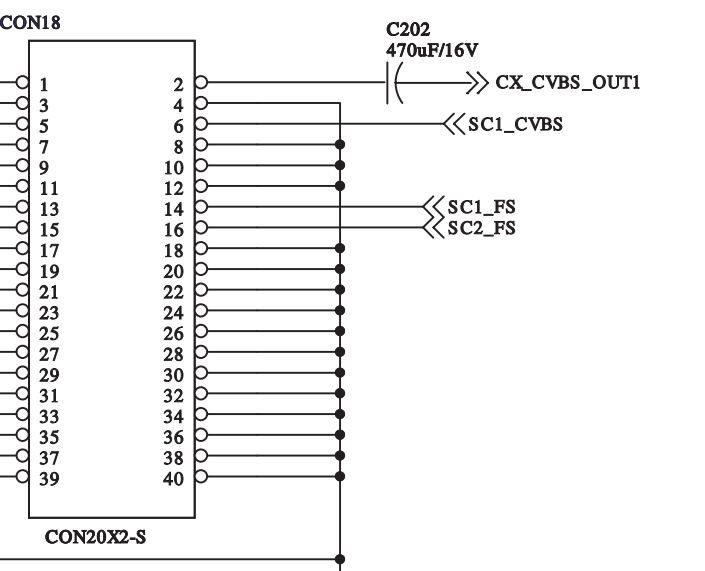
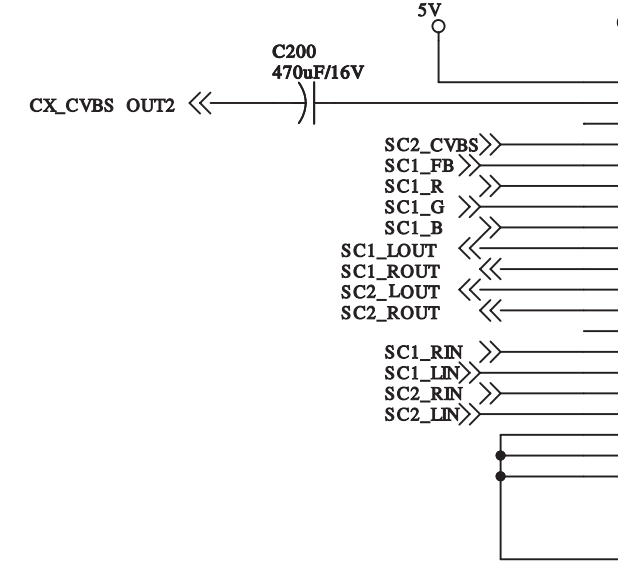
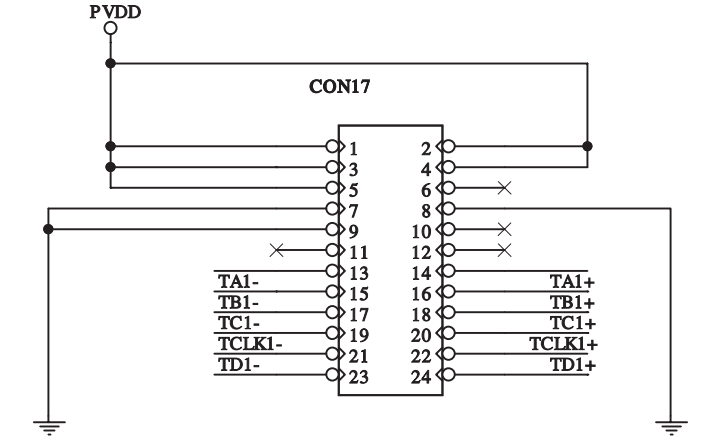
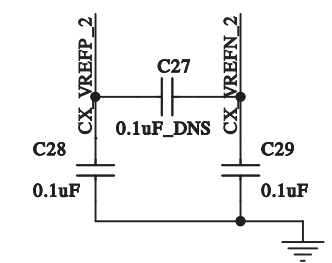
3.3V POWER FOR ADC

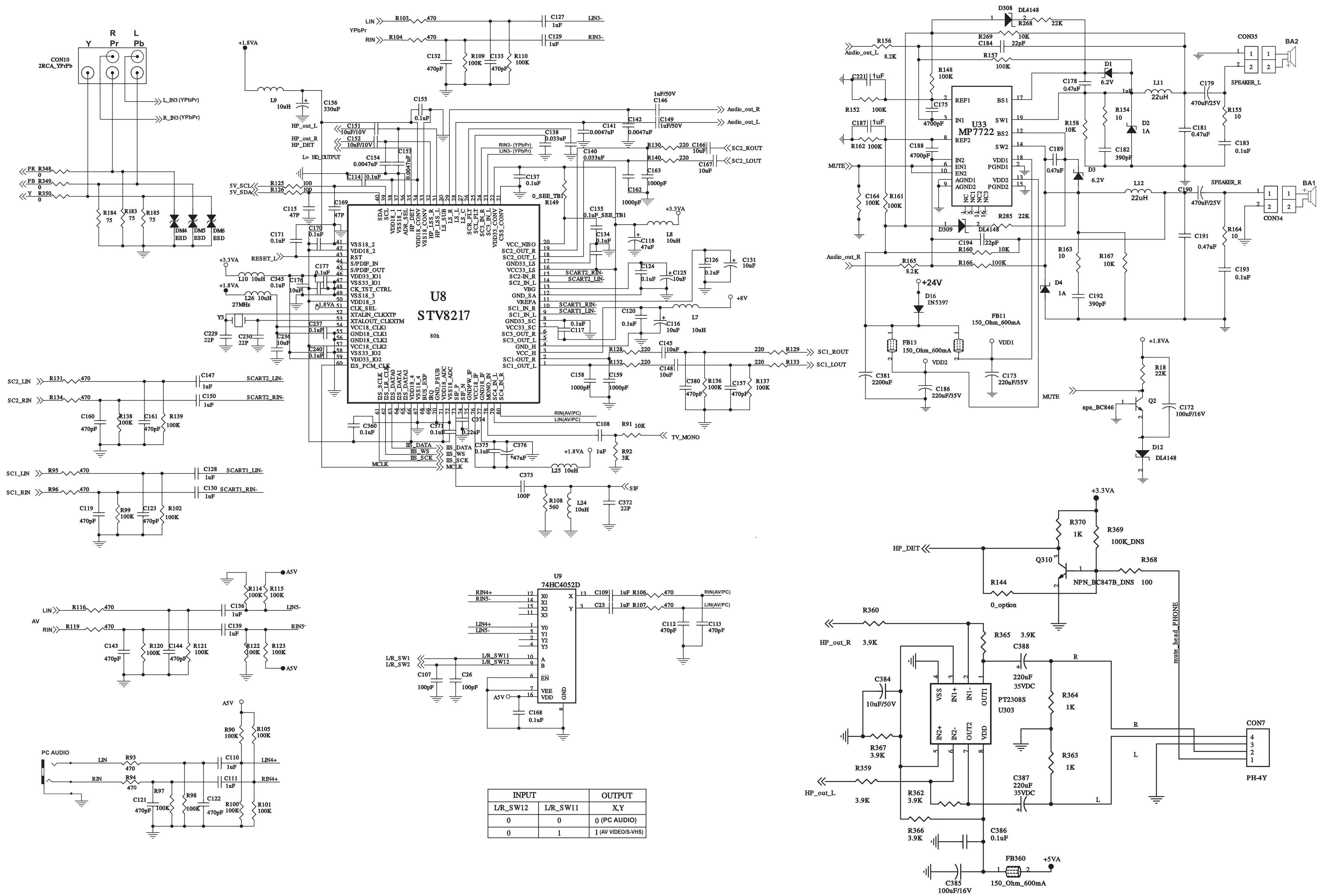
3.3V POWER FOR LVDS

SVP-CX32_208 (2/4) CPU INTERFACE DIGITAL OUT

SVP-CX32_208 (1/4) ANALOG I/O LVDS & MISC

Pin Name	DEFINITION IN LCD203
CVBS1	MAIN TUNER INPUT
Y_G3	MAIN CHANNEL CVBS RCA CONNECTOR INPUT
PB_B3	SCART1 CVBS INPUT
PR_R3	SCART2 CVBS INPUT
FB1	SCART1 FB INPUT
FB2	SCART2 or 3 Chroma INPUT
FS1	SCART1 FS INPUT
FS2	SCART2 FS INPUT





INPUT		OUTPUT
L/R_SW12	L/R_SW11	X,Y
0	0	0 (PC AUDIO)
0	1	1 (AV VIDEO/S-VHS)

